

MOUNTED SPRAYER

PEK JUNIOR 400/40

Code: 0501099106
Series: S-0226
Revision: 00
Revision Date: MAY/2026

PARTS CATALOGUE



MARCHESAN



PRODUCTS

Code	Working Width	Description
0119040035		PEK JUNIOR 400/40

ATTENTION: IMPORTANT

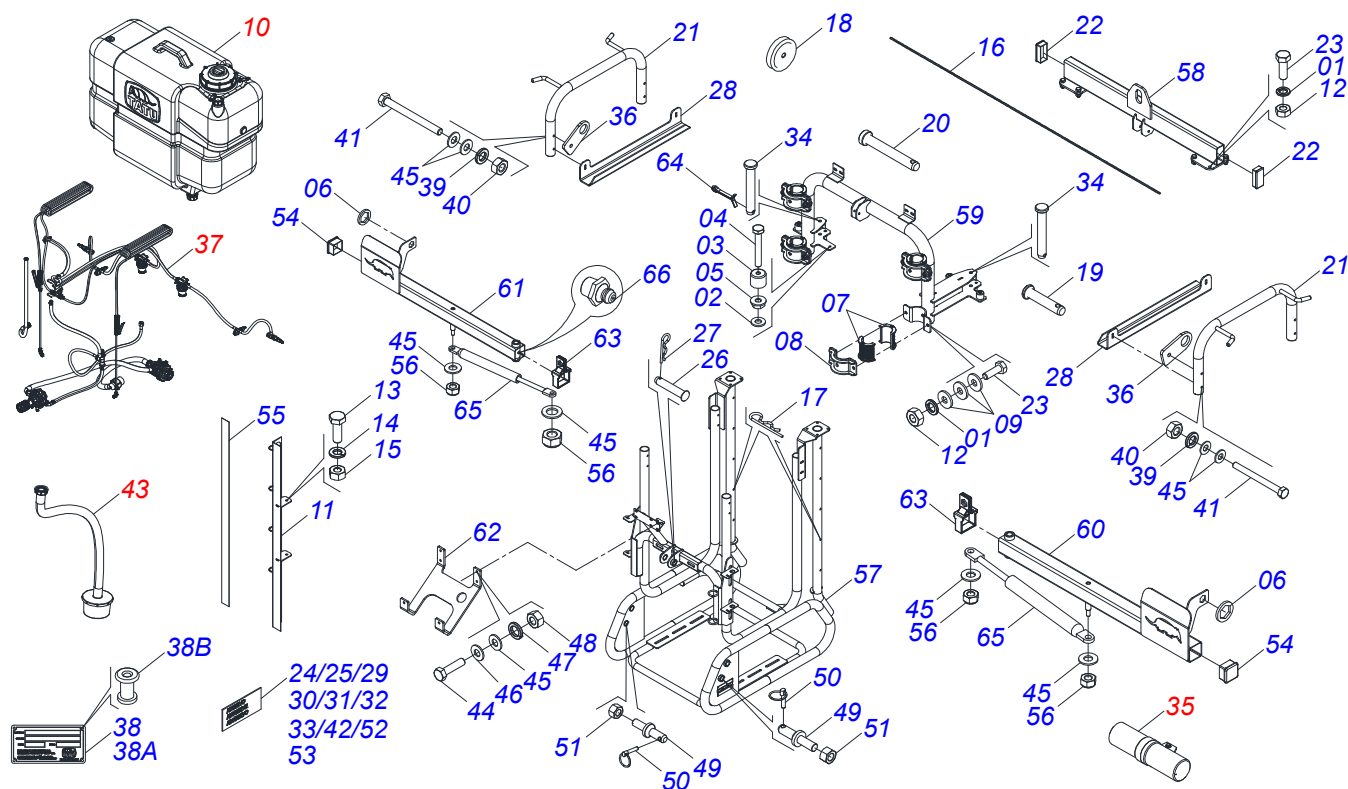
Marchesan S.A. reserves the right to improve and/or modify the technical features of its products, without obligation to do the same with those products already sold and without prior knowledge of the dealer or the customer. The photos are only illustrative.



MARCHESAN

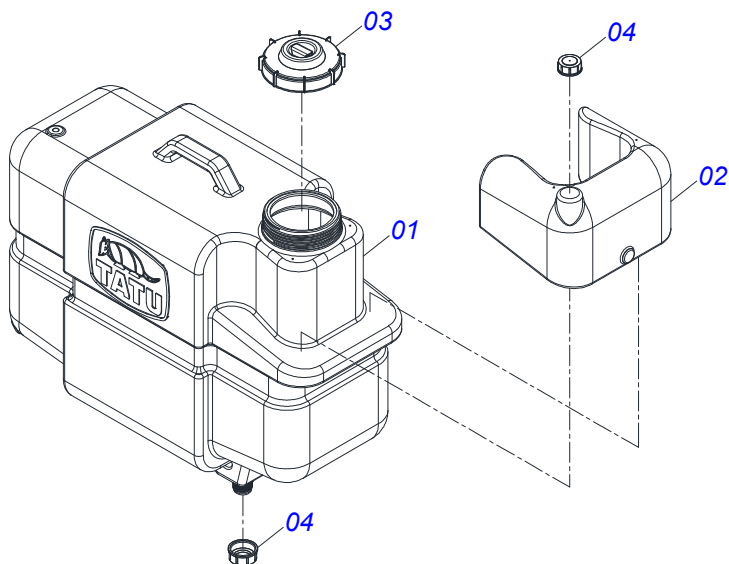
INDEX

011459	MOUNTED PEK 400 JUNIOR	1
0503065108	RESERVOIR 400 LITERS WITH A CLEAN WATER TANK	2
010918	MANUAL CANISTER ASSY	3
0531047050	HIDRAFLOW PUMP TDP 40	4
009189	QUICK HITCH BALL	5
0541054477	HOSE SET 1.1/2 X 5000 SUCTION	6

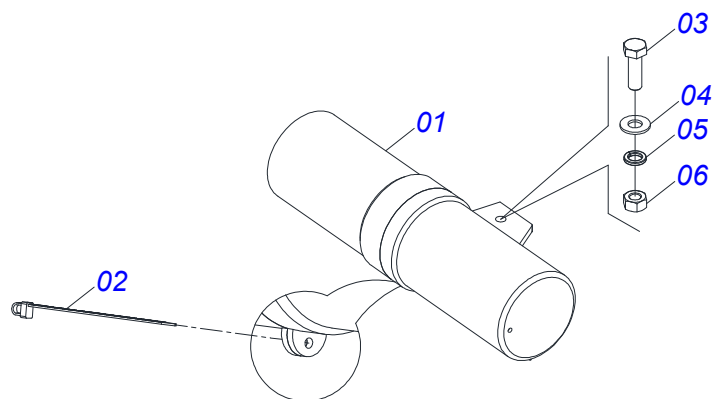


Item	Code	Description	See page	QT
01	0503015075	M10 SPRING WASHER		16
02	0511017303	FLAT WASHER		04
03	0501414756	NYLON BEATER 30 X 25		04
04	0503010733	1/4" X 1-3/4" BOLT		04
05	0513011171	1/4 NC HEX NUT		04
06	0501414755	WASHER SHIM NOZZLE HOLDER		02
07	0503036575	NYLON BUSH		08
08	0531068827	CLAMP		04
09	0501010984	FLAT WASHER 10.50 X 27 X 3.00		24
10	0503065108	RESERVOIR 400 LITERS WITH A CLEAN WATER 2 TANK		01
11	010040	LEVEL GAUGE SET		01
12	0503011051	M10 X 0.6" NUT		16
13	0503010282	1/4" X 3/4" BOLT		02
14	0503010143	SPRING WASHER 1/4"		02
15	0503010144	1/4" NUT		02
16	0501413268	ROPE 1/4 X 6000MM		01
17	0513012658	COTTER PIN 5/16 X 155 ZB		02
18	0501314383	PULLEY		03
19	0501414931	HEAD PIN 8 X 42MM		01
20	0501413266	HEAD PIN 8 X 54MM		01
21	010281	LATCH SUPPORT WITH HOSE		02
22	0513012964	INTERNAL PLASTIC LID 80 X 40		02
23	0503010188	M10 X 1,5 X 30 BOLT		16
24	0503036803	LEFT REFLECTIVE TATU ADHESIVE LABEL		02
25	0503036805	MARCHESAN ADHESIVE LABEL		01
26	0521010582	COUPLING SHAFT		01
27	0503031035	HITCH PIN CLIP		01
28	009865	TANK TIGHTENING PLATE		02
29	0503036799	SAFETY ADHESIVE LABEL		01
30	0503036800	ADHESIVE LABEL ATTENTION		01

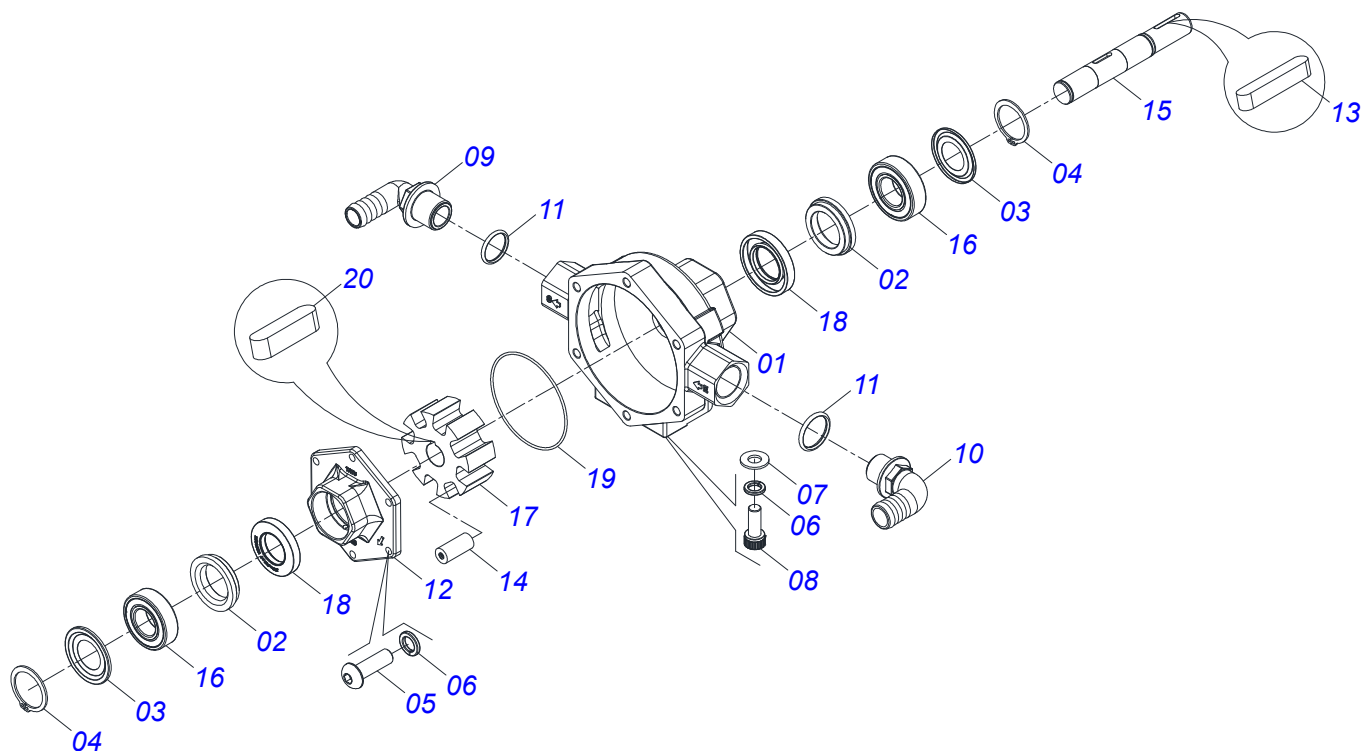
Item	Code	Description	See page	QT
31	0503036801	ADHESIVE LABEL ATTENTION BEFORE OPERATING RETIGHTEN		01
32	0503031087	AUTO CONTROL APPROVED DECAL		01
33	0503036806	TANK LID SAFETY ADHESIVE LABEL		01
34	0501314413	PIN HEAD 12.7 X 78MM		02
35	010918	MANUAL CANISTER ASSY	3	01
36	0551017399	LIFTING LUG		02
37	009574	HYDRAULIC KIT		01
38	0521056998	ALUMINUM IDENTIFICATION LABEL WITH RIVET		01
38A	0503034003	61 X 118 SERIAL NUMBER TAG		
38B	0503010001	RIVET 3,2 X 5,5		
39	0503014371	M8 SPRING WASHER		08
40	0503010427	METRIC M8 X P.0.5" NUT		08
41	0503018737	BOLT M8 X 1,25 X 80 GRAU 5.8 - RP ZN		08
42	010598	ADHESIVE LABEL		01
43	0541054477	HOSE SET 1.1/2 X 5000 SUCTION	6	01
44	0503010365	BOLT 5/16 UNC X 1.1/4 C S G.5 ZN		05
45	0501010694	FLAT WASHER 8.50 X 18 X 1.50 ZN		25
46	0503012545	FLAT WASHER		05
47	0503010179	LOCK WASHER 5/16 ZN 1K01528		05
48	0503010337	NUT 5/16 UNC G.5 ZN		05
49	0521010635	2" X 5.7" COUPLING SHAFT		02
50	0503030430	7/16 X 2" PIN LOCK		02
51	0503010340	1" NUT		02
52	0503034247	LUBRICATION POINT DECAL		02
53	0503037552	ADHESIVE LABEL		02
54	0513012031	TUBE COVER 40 X 40		02
55	0503037623	ADHESIVE LABEL		01
56	0503019913	SELF-LOCKING NUT W/ NYLON M8 X 1.25 C.8 ZN		04
57	010649	TUBULAR FRAME		01
58	011055	TOWER LOCK		01
59	011693	H WELDED		01
60	013096	LEFT ARM		01
61	013466	RIGHT ARM		01
62	009676	FIXER PUMP SUPPORT		01
63	0513012029	BAR CLAMP SPRAYING 40 X 40		02
64	0503010257	1/8" X 1" SPLIT PIN		04
65	0513012086	GAS SPRING DAMPER		02
66	0503010002	GREASE FITTING 1800		02



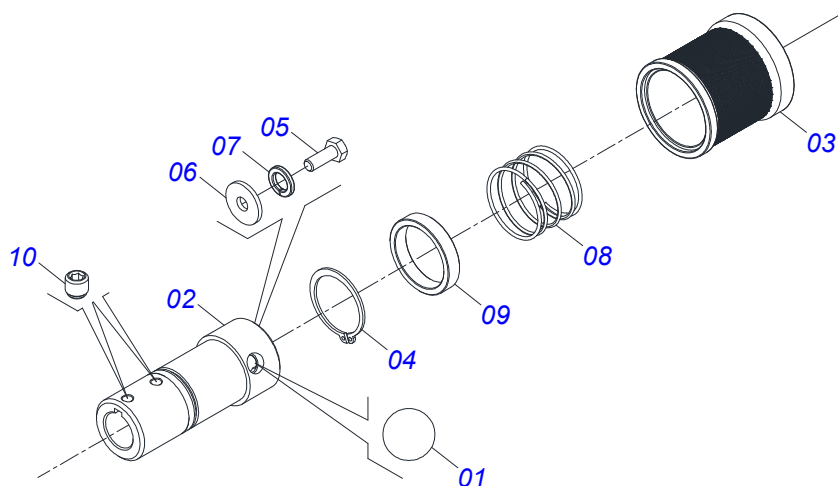
Item	Code	Description	See page	QT
01	0513014019	AGRICULTURAL SPRAYER TANK 400 LITERS		01
02	0513014017	CLEAN WATER TANK		01
03	0513013695	TANK COVER WITH VENT 255MM		01
04	0513013695	TANK COVER WITH VENT 255MM		02



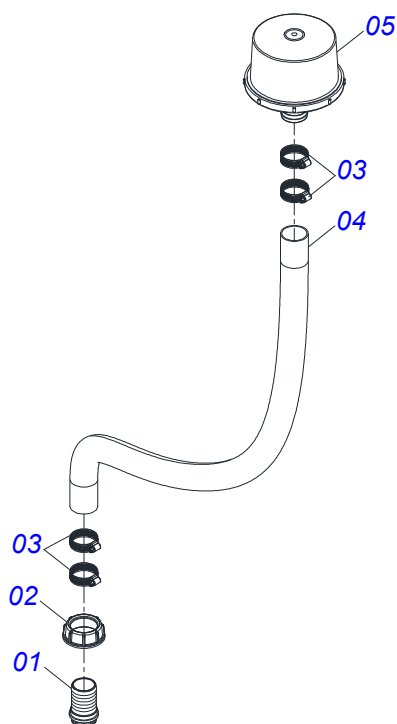
Item	Code	Description	See page	QT
01	0503060100	SUPPORT INSTRUCTION MANUAL		01
02	0503010267	NYLON CLAMP 3.60 X 1.3 X 155 MM		01
03	0503010363	BOLT 5/16 UNC X 1 C S G.2 ZN		01
04	0501010694	FLAT WASHER 8.50 X 18 X 1.50 ZN		01
05	0503010179	LOCK WASHER 5/16 ZN 1K01528		01
06	0503010337	NUT 5/16 UNC G.5 ZN		01



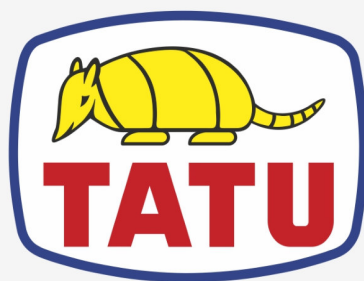
Item	Code	Description	See page	QT
01	0502110046	PUMP HOUSING		01
02	0501419146	SPACER 48,8 X 10		02
03	0513013754	SEAL RING 1205 AV		02
04	0503010406	501025 CLAMPING RING (FOR AXLE)		02
05	0513013756	BOLT M8 X 1,25 X 25 CASI INOX A2		06
06	0503010179	LOCK WASHER 5/16 ZN 1K01528		08
07	0501010694	FLAT WASHER 8.50 X 18 X 1.50 ZN		02
08	0503015162	M 8 X 1,25 X 20 BOLT		02
09	0503019488	G 3/4 CURVE CONNECTOR		01
10	0513012387	CURVE TYPE CONNECTOR		01
11	0513012755	RING ORING 2,62 X 25,07 X 30,31 VITON G11058V		02
12	0502110040	WATER PUMP CAP		01
13	0503031031	1/4" KEYWAY SQUARE		01
14	010144	ROLLER 17,3 X 38		08
15	0501419947	AXLE		01
16	0503017727	BEARING 6205 2RS FD BEARINGS / SKF		02
17	0501419945	KEYED ROTOR 96,8 X 38 OF THE PUMP		01
18	0513013850	SEAL 25 X 45 X 7		02
19	0513013755	ORING RING 104 X W2,50		01
20	011260	KEYWAY Q1/4 X 25		01



Item	Code	Description	See page	QT
01	0503012389	1/2 BALL		03
02	011766	HITCH BODY		01
03	0501515386	FLANGED SPOOLS		01
04	0503010881	501042 CLAMPING RING (FOR AXLE)		01
05	0503015114	BOLT		01
06	0501011517	FLAT WASHER		01
07	0503010179	LOCK WASHER 5/16 ZN 1K01528		01
08	0503037864	COMPRESSION SPRING 48 X 73 X 2		01
09	0501515384	FLANGED RING		01
10	0513014026	ALLEN BOLT M8 X 1,25 X 8		02



Item	Code	Description	See page	QT
01	0503019653	(SP3-106638) STRAIGHT CONNECTION		01
02	0503019645	(SP3-2002060) NUT TYPE CONNECTION		01
03	0503019651	(592-SPF-016-027) 1.1/2 HOSE CLAMP		04
04	0501413172	SPIRAL HOSE 1.1/2 X 5000 AB -AB		01
05	0513012045	SUPPLY FILTER 1 1/2 CONNECTION MODE		01



MARCHESAN

Technical Publications | Elaboration and Revision

DANIELE DA COSTA ANTONIO

www.marchesan.com.br

