

**HINGE TYPE OFFSET DISK HARROW**

**GNDH 56D - 1.1/2" SHAFT**  
**GNDH 56D - EIXO 1.1/2"**

**Code:** 0501099093  
**Series:** S-0224  
**Revision:** 00  
**Revision Date:** NOVEMBER/2024

# PARTS CATALOGUE



**MARCHESAN**



# PRODUCTS

Code	Working Width	Description
0102150033		GNDH 56 X 22 X 4,50 DR DMO E 1.1/2 PN11L15 S-0224
0102150032		GNDH 56 X 22 X 4,50 MT DMO E 1.1/2 PN11L15 S-0224

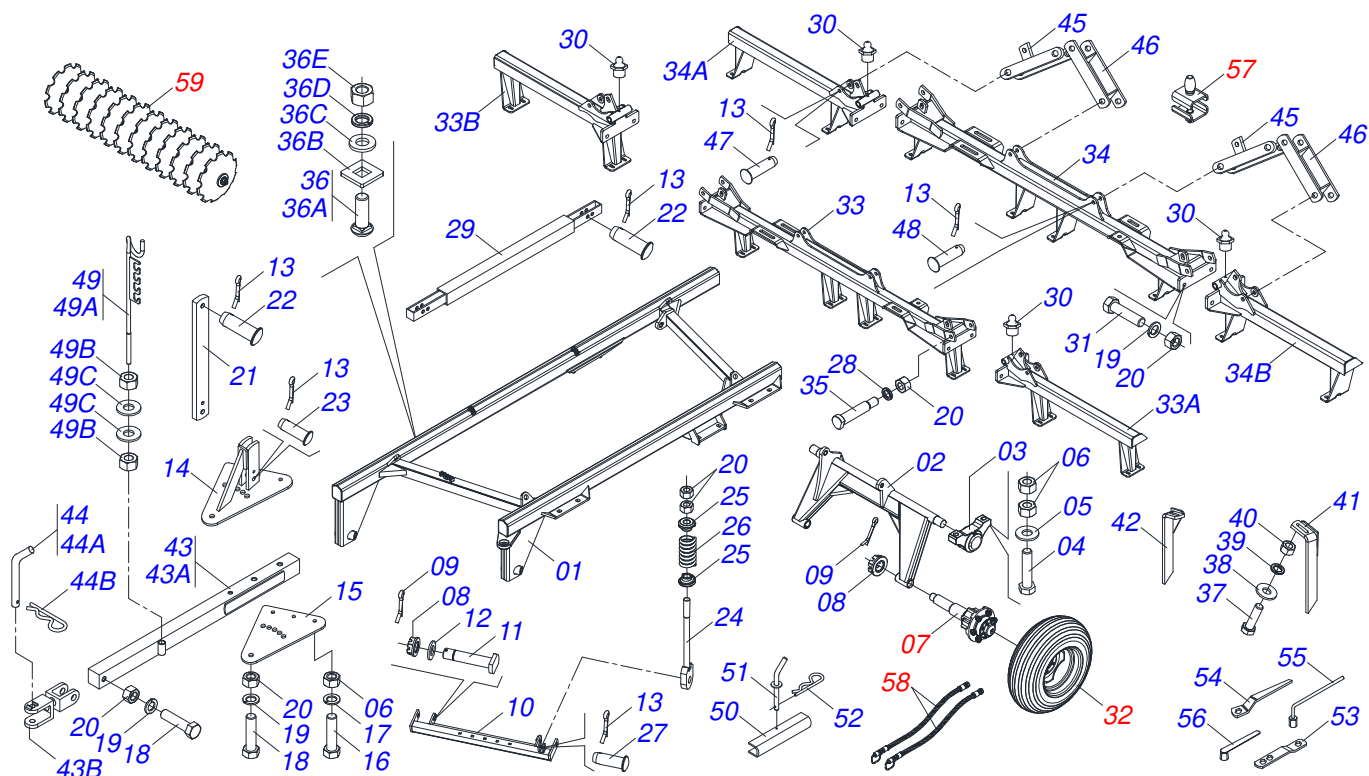
## ATTENTION: IMPORTANT

Marchesan S.A. reserves the right to improve and/or modify the technical features of its products, without obligation to do the same with those products already sold and without prior knowledge of the dealer or the customer. The photos are only illustrative.



# INDEX

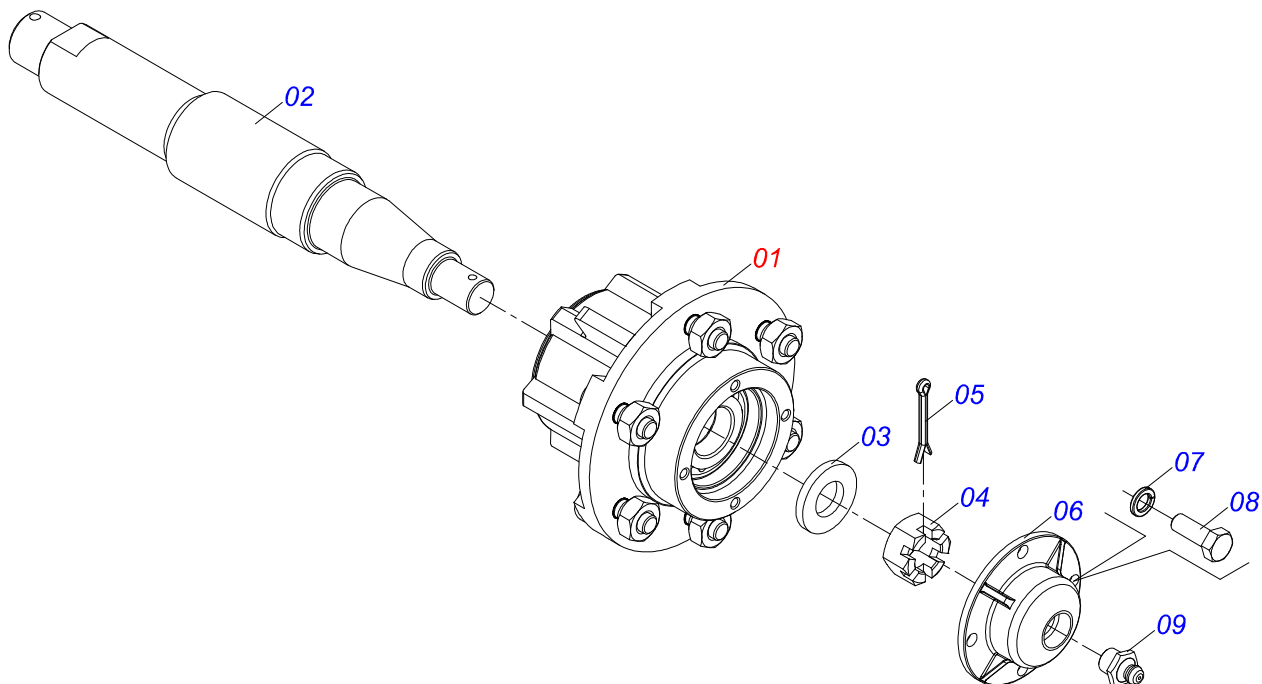
0909097431	FRAME ASSY - 56D	.....	1
0501051634	STUB SHAFT HUB ASSY	.....	2
0501051142	CARRYING WHEEL HUB	.....	3
0503060181	WHEEL AND TIRE	.....	4
0521055561	BEATER ASSY	.....	5
0909092452	HYDRAULIC CIRCUIT	.....	6
0511059180	HYDRAULIC CYLINDER 50,80 X 101,60 X 515 X 203	.....	7
0501044311	1.7"X3.4"X31"X15" HYDRAULIC CYLINDER	.....	8
0501053834	MALE QUICK COUPLER	.....	9
0909097432	DISC GANG - 56D (MIXED DISCS)	.....	10
0909097433	DISC GANG - 56D (NOTCHED DISCS)	.....	11
0521047187	AGRICULTURAL BEARING	.....	12
0521050840	SWIVEL OIL BATH BEARING 192,5 X 1.1/2	.....	13



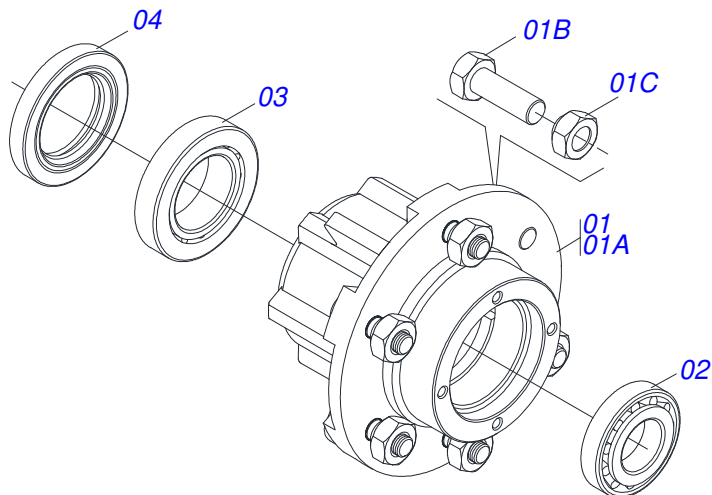
Item	Code	Description	See page	QT
01	0521062511	FRAME		01
02	0501065518	CARRYING-WHEELS		01
03	0501110856	ARTICULATION BEARING		02
04	0503010797	3/4" X 4" BOLT		04
05	0501010322	20,50 X 46 X 4,00 ZN FLAT WASHER		04
06	0503010014	3/4" ZN G.5 (HEAVY) UNC HEX NUT		12
07	0501051634	STUB SHAFT HUB ASSY	2	02
08	0501011301	1.1/2" UNC 6FPP 2.5/16" NUT		04
09	0503010010	1/4" X 2.1/2" SPLIT PIN		04
10	0521062507	HITCH BAR		01
11	0531019497	1.5" X 9.2" ARTICULATED AXIS		02
12	0551012215	FLAT WASHER		02
13	0503010571	1/4" X 1.1/2" SPLIT PIN		17
14	0501066099	UPPER PLATE WITH SUPPORT		01
15	0501010241	UPPER /LOWER PLATE		01
16	0503011198	BOLT 3/4" UNC X 6" CS G.5		03
17	0503011442	3/4" SPRING WASHER		04
18	0501010060	1" X 6-1/2" BOLT		02
19	0503011438	SPRING WASHER		22
20	0501010059	1.5/8 NUT		24
21	0561019346	STABILIZER BAR TOWER		01
22	0521010575	C0.9" X 3.3" COUPLING SHAFT		03
23	0521010576	0.9" X 3.7" COUPLING SHAFT		01
24	0501064698	SPRING ROD		01
25	0502020392	SPRING SUPPORT		02
26	0503030441	12.7" X 5.7" X 0.5"SPRING		01
27	0521010592	1.1" X 3.1" COUPLING SHAFT		01
28	0503010012	1" SPRING WASHER		02
29	0501064696	STABILIZER BAR		01
30	0503010002	1800 GREASE FITTING		04
31	0501010276	BOLT		08
32	0503060181	WHEEL AND TIRE	4	02



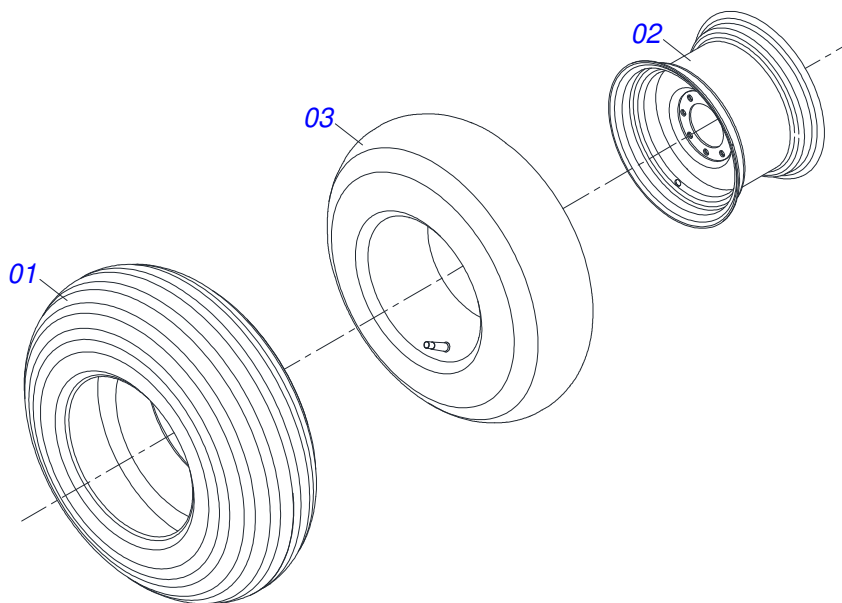
Item	Code	Description	See page	QT
33	0501065112	CENTRAL FRONT FRAME - 44/48/52/56D		01
33A	0501065120	LEFT FRONT FRAME - 56D		01
33B	0501065116	RIGHT FRONT FRAME - 56D		01
34	0501065134	CENTRAL REAR FRAME - 44/48/52/56D		01
34A	0501065124	RIGHT REAR FRAME - 56D		01
34B	0501065128	LEFT REAR FRAME - 56D		01
35	0501010660	1" X 1-3/4" X 11.4" COUPLING SHAFT		04
36	0501040877	C1" X 3-1/2" BOLT ASSY		07
36A	0501010171	BOLT 1 UNC X 3.1/2 C S G.5		01
36B	0502012861	1" SQUARE WASHER		01
36C	0501010065	1" SPRING WASHER		01
36D	0503010012	1" SPRING WASHER		01
36E	0501010059	1.5/8 NUT		01
37	0503011082	C1/2" X 1.3/4" SCREW		46
38	0511017302	FLAT WASHER 13,50 X 32,50 X 3,0 ZN		46
39	0503010019	1/2" SPRING WASHER		46
40	0503010060	1/2 UNC G.5 ZN HEX NUT		46
41	0501063963	FRONT SCRAPER		19
42	0501063962	REAR SCRAPER		19
43	0501041096	DRAWBAR ASSY		01
43A	0501060188	DRAWBAR ASSY		01
43B	0501060190	TRACTOR HITCH		01
44	0501040343	HITCH AXIS ASSY		01
44A	0501010523	DRAWBOLT		01
44B	0503031035	HITCH PIN CLIP		01
45	0501065130	DRIVER ARM		04
46	0501065131	DRIVER PIVOT		04
47	0521010585	0.9" X 5.9" COUPLING SHAFT		04
48	0521012532	0.9" X 3.9" COUPLING SHAFT		04
49	0501040257	3/4" X 38" HOSE SUPPORT ASSY		01
49A	0511067334	HOSE SUPPORT		01
49B	0503010014	3/4" ZN G.5 (HEAVY) UNC HEX NUT		02
49C	0501010322	20,50 X 46 X 4,00 ZN FLAT WASHER		02
50	0511010839	TRANSPORT LOCK 7.9" X 2.1" X 0.4"		01
51	0501068994	8,30 X 78 LOCK PIN		01
52	0503030168	HITCH PIN CLIP		01
53	0511018451	5/8" X 3/4" X 1" UNIVERSAL		01
54	0501011432	1-1/2" AND 1-5/8 GANG BOLT WRENCH		02
55	0501068273	5/8" WRENCH		01
56	0501061617	1" GANG BOLT WRENCH		01
57	0521055561	BEATER ASSY	5	04
58		HYDRAULIC CIRCUIT	6	
59		DISC GANG - 56D (MIXED DISCS)	10	
59.		DISC GANG - 56D (NOTCHED DISCS)	11	



Item	Code	Description	See page	QT
01	0501051142	CARRYING WHEEL HUB	3	01
02	0521010821	2.5" X 16.5" AXLE		01
03	0501016545	FLAT WASHER		01
04	0503030009	1" CASTLE NUT		01
05	0503010018	5/32" X 1-1/2" SPLIT PIN		01
06	0502020591	PROTECTION LID		01
07	0503011444	SPRING WASHER 5/16"		04
08	0503010358	5/16" X 5/8" BOLT		04
09	0503010002	1800 GREASE FITTING		01

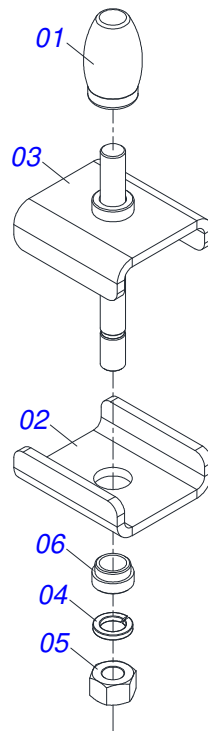


Item	Code	Description	See page	QT
01	0501110728	WHEEL HUB		01
01A	0502011121	CARRYING WHEEL HUB		01
01B	0501010127	9/16" X 1-7/8" LUG BOLT		06
01C	0503010035	9/16" CONIC NUT		06
02	0503010037	30207 ROLLER BEARING		01
03	0503010006	32210 ROLLER BEARING		01
04	0503012928	SEAL		01

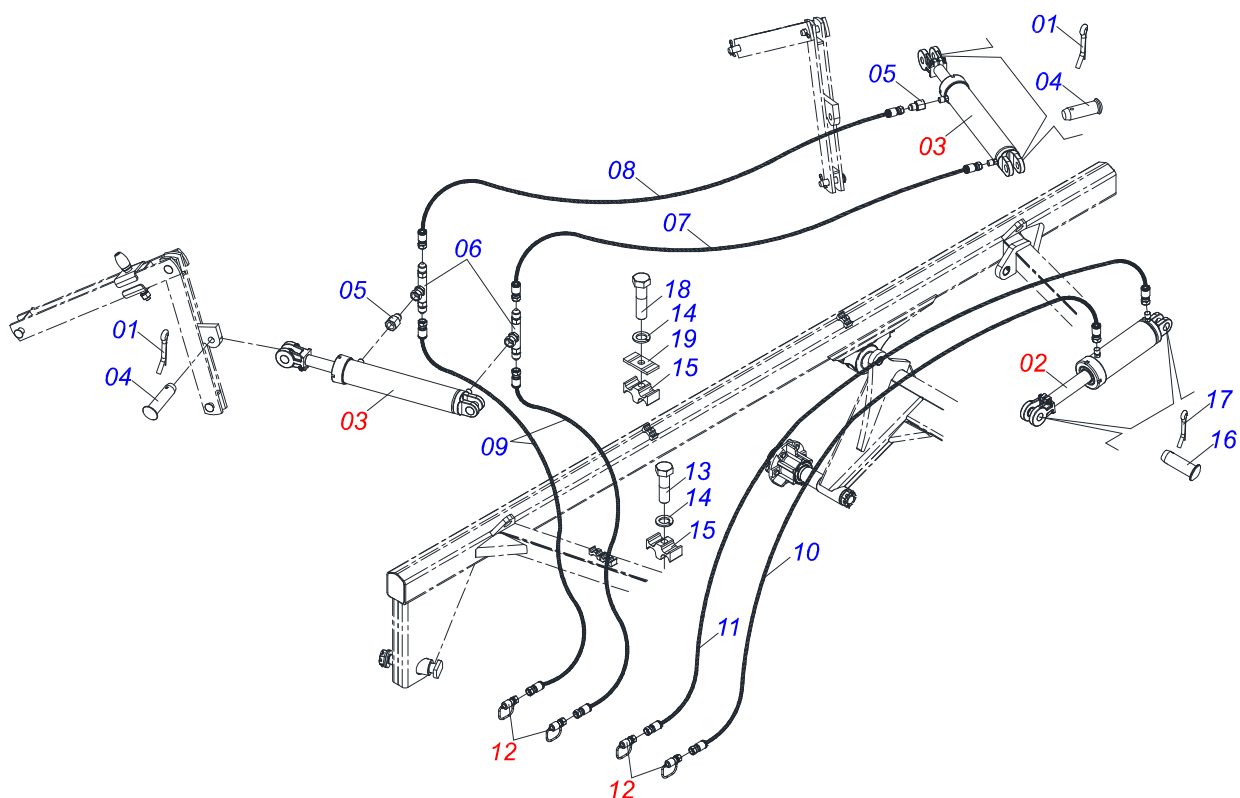


Item	Code	Description	See page	QT
01	0503010858	CANVAS TIRE		01
02	0503011468	WHEEL		01
03	0503010860	AIR CHAMBER 11L 15		01

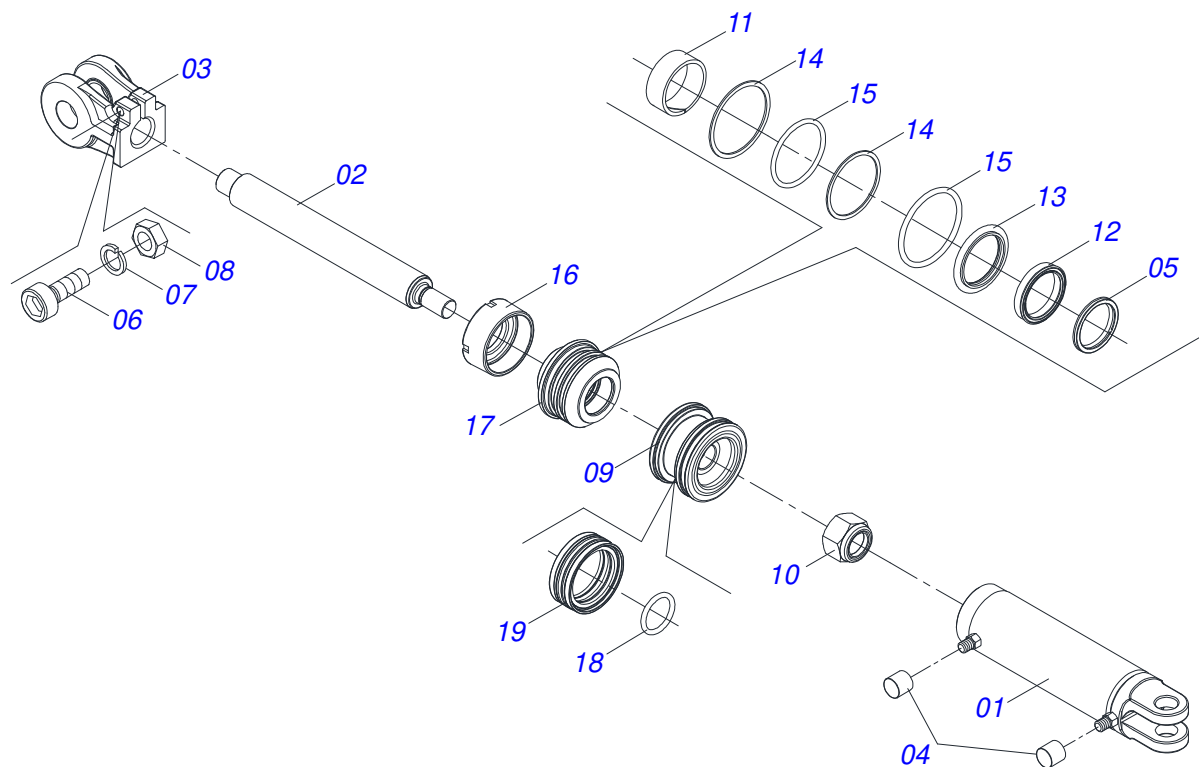




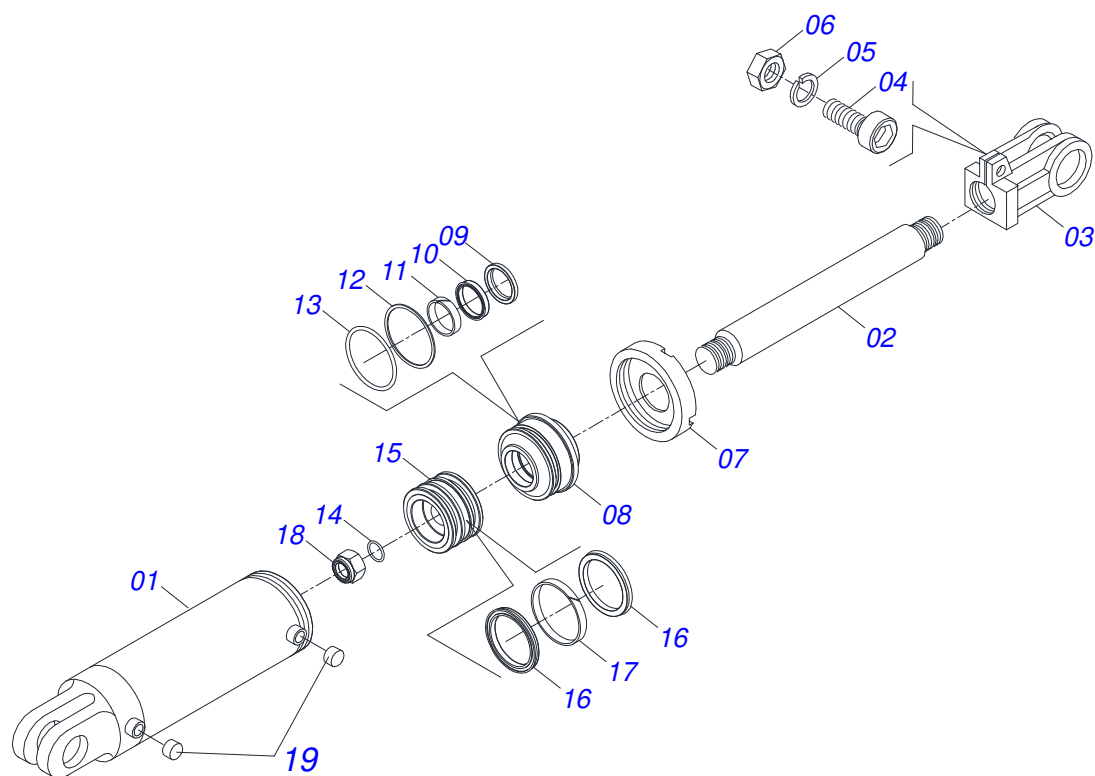
Item	Code	Description	See page	QT
01	0503030403	1.85" X 2.87" BEATER		01
02	0591010099	U 101 X 35 X 8.00 X 110 WITH HOLE		01
03	0521069814	BEATER SUPPORT		01
04	0503010023	3/4" SPRING WASHER		01
05	0503010014	3/4" ZN G.5 (HEAVY) UNC HEX NUT		01
06	0561017561	BUSHING		01



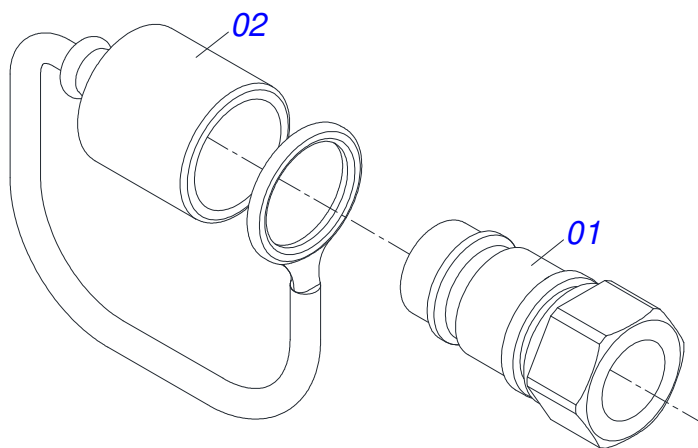
Item	Code	Description	See page	QT
01	0503010571	1/4" X 1.1/2" SPLIT PIN		17
02	0511059180	HYDRAULIC CYLINDER 50,80 X 101,60 X 515 X 203	7	01
03	0501044311	1.7"X3.4"X31"X15" HYDRAULIC CYLINDER	8	02
04	0521010576	0.9" X 3.7" COUPLING SHAFT		04
05	0511018012	HIDRAULIC ADAPTER		02
06	0501065219	T ADAPTER WITH SWIVEL NUT		02
07	0501080379	3/8" X 118.11" TR-TR HOSE		01
08	0501080403	3/8" X 137.79" TR-TR HOSE		01
09	0501080430	3/8" X 161.41" TC-TM HOSE		02
10	0501080443	3/8" X 236.22" TR-TM HOSE		01
11	0501080444	3/8" X 250" TR-TM HOSE		01
12	0501053834	MALE QUICK COUPLER	9	04
13	0503012555	7/16" UNC X 2" CS RT G.7 ZN SCREW		02
14	0503010180	7/16" SPRING WASHER		04
15	0502012702	BODY SUPPORT CLAMP		04
16	0521012538	1.2" X 3.5" COUPLING SHAFT		02
17	0503010523	1/4 X 2 SPLIT PIN		02
18	0503011103	BOLT 7/16" UNC X 2.1/2" C S G.5 ZN		02
19	0531011180	SUPPORT		02



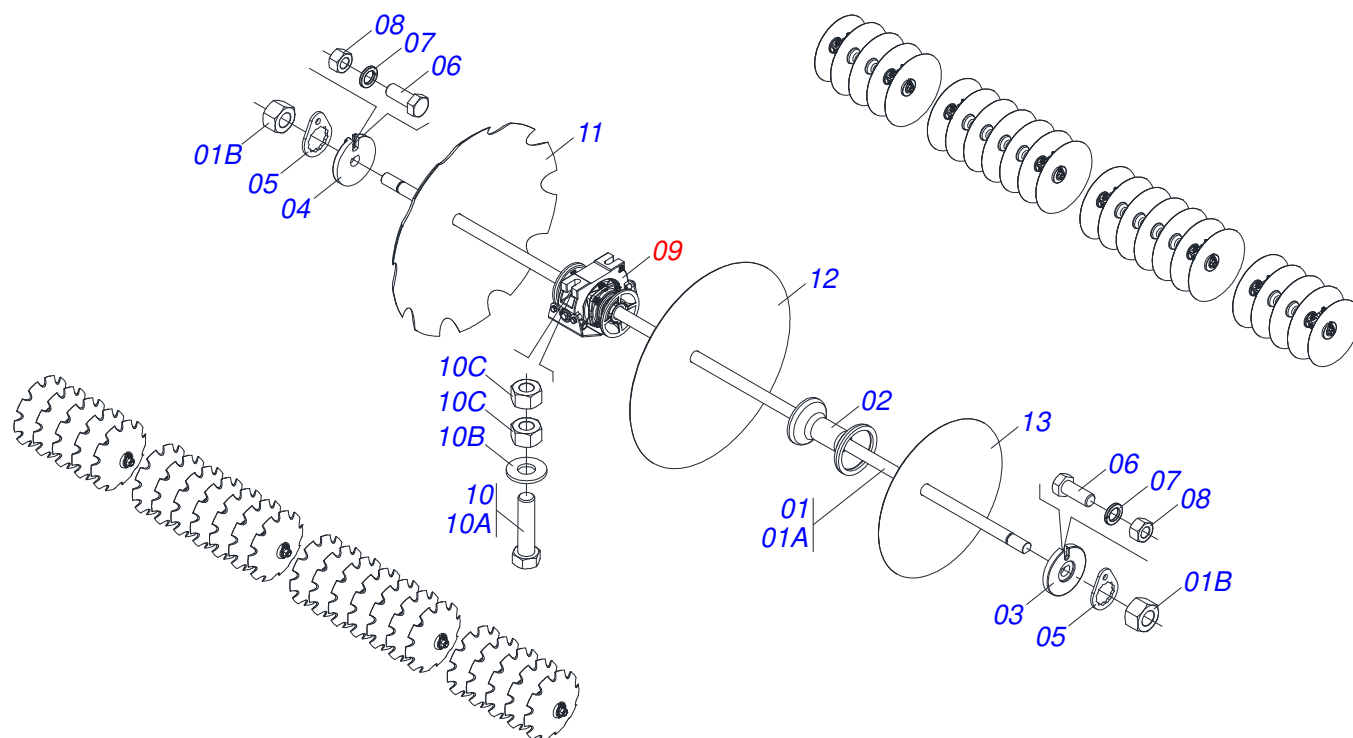
Item	Code	Description	See page	QT
01	0511070658	CYLINDER CASE 101,6 X 394		01
02	0571019958	HYDRAULIC CYLINDER TURNBUCKLE		01
03	0502040747	32.54 CLEVIS CLAMP		01
04	0503030385	CYLINDER PLUG N-002		02
05	0503010039	D-2000 SCRAPER RING		01
06	0503011094	BOLT 3/8" UNC X 2" C C S I 12.9		01
07	0503011443	SPRING WASHER 3/8"		01
08	0503010026	3/8" NUT		01
09	0502012820	2" X 4" PISTON		01
10	0503010817	1.1/4" SELF LOCKING NUT		01
11	0503018025	RING GUIDE W2-2250-750		01
12	0503018026	GASKET 1870-2000-375 B POLYMAX		01
13	0503018024	RING BS OD050805200171D-BR		01
14	0503011061	8-342 BACK-UP RING		02
15	0503010338	2-342 N 3006-9B O'RING		02
16	0502012822	END CAP 4"		01
17	0502012821	2" X 4" RING SUPPORT		01
18	0503018029	O'RING 2-217 N 3006 90B		01
19	0503015633	SELEMASTER SEALING		01



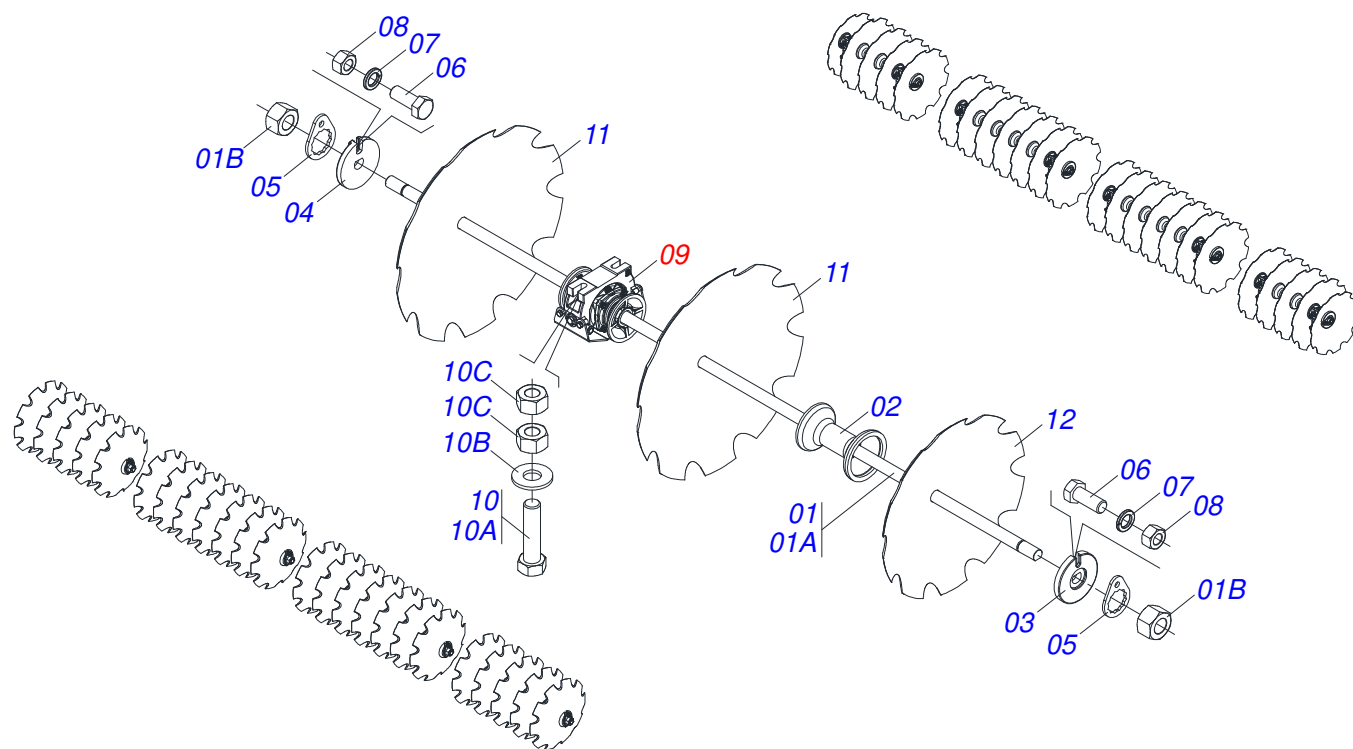
Item	Code	Description	See page	QT
01	0501065363	2.4" X 16" CYLINDER CASE		01
02	0511013609	1.7" X 27" TURNBUCLE		01
03	0502040493	CLEVIS 26,50 R41		01
04	0503011094	BOLT 3/8" UNC X 2" C C S I 12.9		01
05	0503010025	3/8" SPRING WASHER		01
06	0503010026	3/8" NUT		01
07	0502010993	MOBILE LID		01
08	0502010781	RING SUPPORT		01
09	0503010761	D-1750 SCRAPER RING		01
10	0503010949	W2-2000-500 PK RING G.E		01
11	0503010990	GASKET		01
12	0503010976	2-336 N 3006-9B O'RING		01
13	0503011060	8-336 BACK-UP RING		01
14	0503010042	2-214 N 3006-9B O'RING		01
15	0502010843	1.8" X 3.4" PISTON		01
16	0503010170	PACKING 3120 2750		02
17	0503010948	W4-3346-590 PK RING G.E		01
18	0503010063	1" SELF-ALIGNING NUT		01
19	0503030385	CYLINDER PLUG N-002		02
20	0501031796	HYDRAULIC CYLINDER REPAIR KIT		



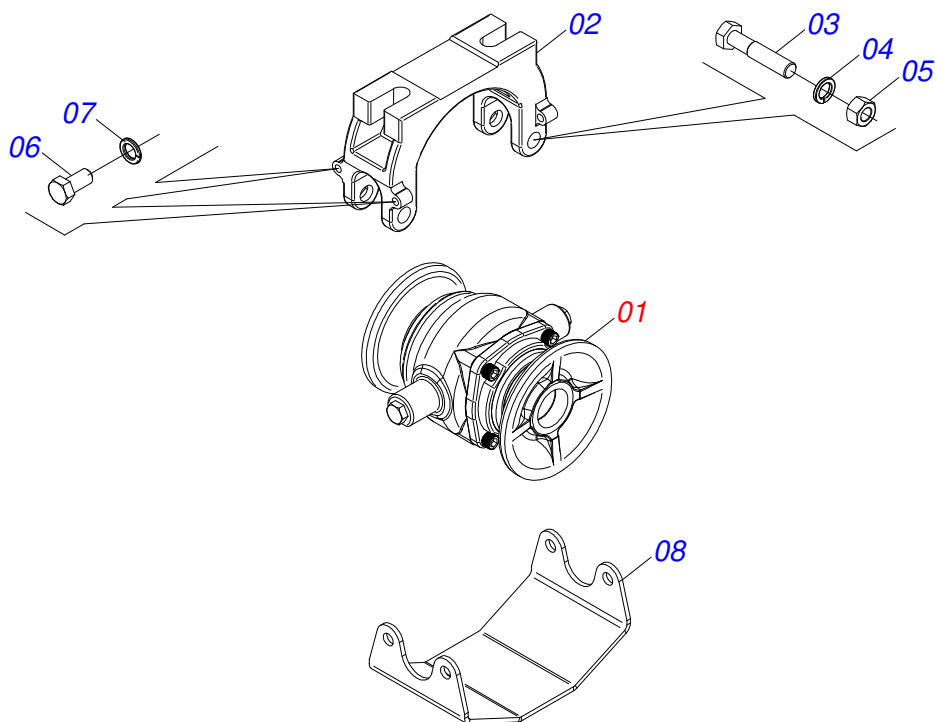
Item	Code	Description	See page	QT
01	0503011627	MALE QUICK COUPLER AGR 1/2 NPT		01
02	0503011882	MALE QUICK COUPLER CAP		01



Item	Code	Description	See page	QT
01	0511043293	1.1/2 X AXLE W/NUT		08
01A	0541014457	1.1/2" 6FPP X 1285 AXLE		01
01B	0501810110	1.1/2 NC 6FPP NUT		02
02	0502010627	SPACER		32
03	0502010872	1-1/2" INNER AXLE WASHER		08
04	0502010871	EXTERNAL AXLE WASHER 1.1/2"		08
05	0501018592	1.5/8 HEX 60,0/60,2 LOCK NUT		16
06	0503010395	1/2" X 1-1/4" BOLT		16
07	0503010019	1/2" SPRING WASHER		16
08	0503010060	1/2 UNC G.5 ZN HEX NUT		16
09	0521047187	AGRICULTURAL BEARING	12	16
10	0521059224	BOLT ASSEMBLY 5/8 UNC X 2.3/4		32
10A	0501013233	5/8" X 2-3/4" BOLT		01
10B	0501012140	FLAT WASHER 16,50 X 40 X 4,00 ZN		01
10C	0503010013	5/8 UNC G.5 ZN HEX NUT		02
11	0602029416	DR 22 X 4,50 C64AF02FR1.9/16 10R		28
12	0601029413	DL 22 X 4,50 C64AF02FR1.9/16		26
13	0601027299	DL 20 X 4,50 C57AF02FR1.9/16		02

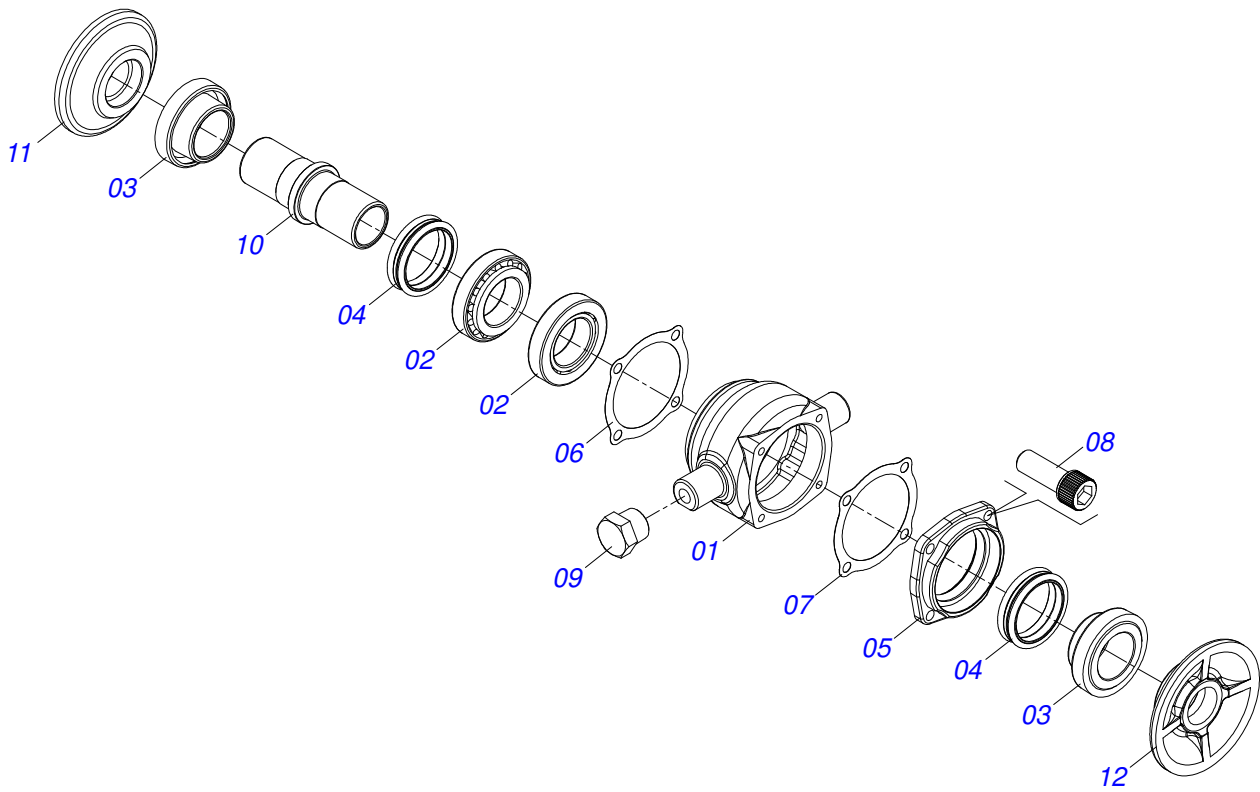


Item	Code	Description	See page	QT
01	0511043293	1.1/2 X AXLE W/NUT		08
01A	0541014457	1.1/2" 6FPP X 1285 AXLE		01
01B	0501810110	1.1/2 NC 6FPP NUT		02
02	0502010627	SPACER		32
03	0502010872	1-1/2" INNER AXLE WASHER		08
04	0502010871	EXTERNAL AXLE WASHER 1.1/2"		08
05	0501018592	1.5/8 HEX 60,0/60,2 LOCK NUT		16
06	0503010395	1/2" X 1-1/4" BOLT		16
07	0503010019	1/2" SPRING WASHER		16
08	0503010060	1/2 UNC G.5 ZN HEX NUT		16
09	0521047187	AGRICULTURAL BEARING	12	16
10	0521059224	BOLT ASSEMBLY 5/8 UNC X 2.3/4		32
10A	0501013233	5/8" X 2-3/4" BOLT		01
10B	0501012140	FLAT WASHER 16,50 X 40 X 4,00 ZN		01
10C	0503010013	5/8 UNC G.5 ZN HEX NUT		02
11	0602029416	DR 22 X 4,50 C64AF02FR1.9/16 10R		54
12	0602027006	DR 20 X 4,50 C57AFPAFR1.9/16 10R		02



Item	Code	Description	See page	QT
01	0521050840	SWIVEL OIL BATH BEARING 192,5 X 1.1/2	13	01
02	0502012854	BEARING SUPPORT 182/192,5		01
03	0501011541	5/8 UNC X 3 CS G.5 ZN1K28066 BOLT		02
04	0503010027	5/8 SPRING WASHER		02
05	0503010013	5/8 UNC G.5 ZN HEX NUT		02
06	0503011334	3/8 UNC X 3/4 CS G.5 ZN BOLT		04
07	0503010025	3/8" SPRING WASHER		04
08	0581014143	SWIVEL OIL BATH BEARING WEAR PLATE		01





Item	Code	Description	See page	QT
01	0502012839	BEARING HOUSING 182/192,5		01
02	0503010006	32210 ROLLER BEARING		02
03	0502010541	SEAL HOLDER		02
04	0503030026	SEAL LP JB-253		02
05	0502020424	HOUSING CAP 182/192,225		01
06	0503030013	4.4" X 3.5" X 0.004" JOINT		02
07	0503030684	4.4" X 3.5" X 0.004" JOINT		01
08	0503010134	3/8" X 1" BOLT		04
09	0503010856	OIL PLUG R 3/8 BSPT		02
10	0502040061	182/192,5 AXLE		01
11	0502010605	INNER FLANGE		01
12	0502010604	OUTER FLANGE		01





**MARCHESAN**

**Technical Publications | Elaboration and Revision**

LEONARDO JOSÉ DA SILVA SOUZA

[www.marchesan.com.br](http://www.marchesan.com.br)

