

MOUNTED SPRAYER

FUZION 1000 - H2O
FUZION 1000 - H2O

Code: 0501099092
Series: S-0424
Revision: 00
Revision Date: OCTOBER/2024

PARTS CATALOGUE



MARCHESAN



PRODUCTS

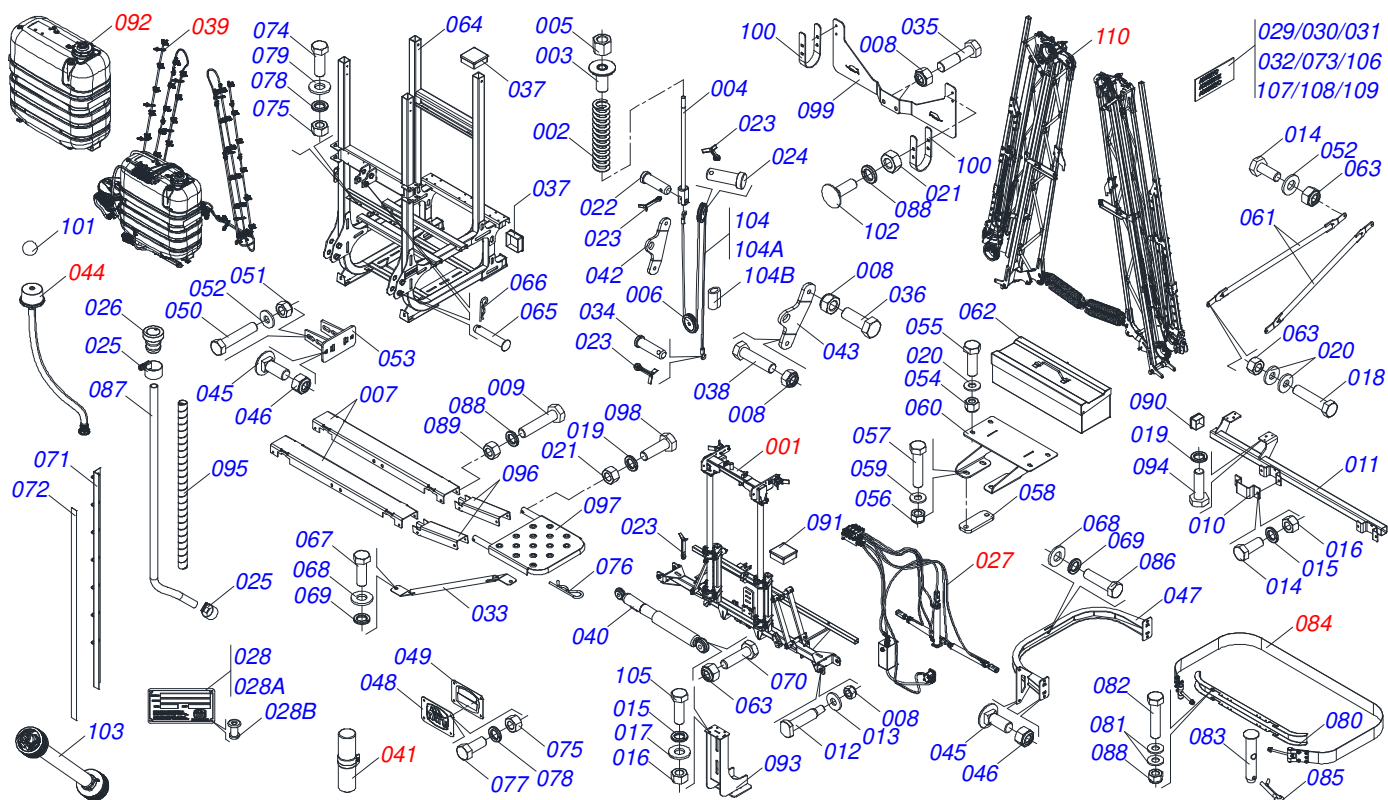
Code	Working Width	Description
0119040015		FUZION 1000 H20 S-0424

ATTENTION: IMPORTANT

Marchesan S.A. reserves the right to improve and/or modify the technical features of its products, without obligation to do the same with those products already sold and without prior knowledge of the dealer or the customer. The photos are only illustrative.

INDEX

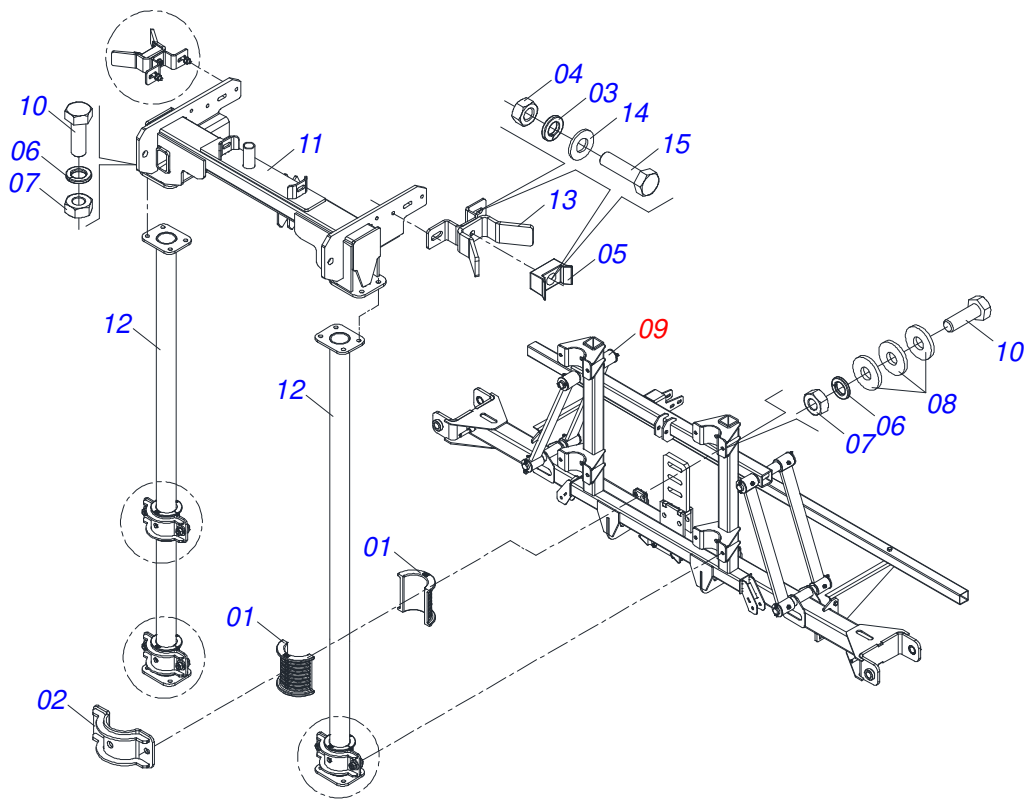
0531045866	FUZION 1000 20H	1
0541054521	MAST AND TOWER ASSEMBLY	2
0541054525	ARTICULATOR ASSEMBLY	3
0541056390	FUZION HYDRAULIC SYSTEM KIT PUMP TT75	4
0541053558	HYDRAULIC CYLINDER 31,75 X 50,8 X 672 X 407	5
0541053557	HYDRAULIC CYLINDER 31,75 X 50,8 X 638 X 407	6
0541053962	OPENING CYLINDER BAR 63.5 X 768 X 510 LEFT SIDE	7
0541055800	5L OIL RESERVOIR COMPLETE	8
0541055947	SPRAYING ASSEMBLY	9
0541053725	04 NOZZLE TUBE CENTRAL ASSEMBLY	10
0541054222	06 NOZZLE TUBE 2650	11
0541053571	COMPLETE SOLENOID VALVE BRACKET	12
0541053723	06 NOZZLE TUBE 2640	13
0541056391	COMPLETE FIXER	14
0541054511	PUMP ASSEMBLY	15
0541054512	MANUAL STORAGE TUBE ASSY	16
0541054477	HOSE SET 1.1/2 X 5000 SUCTION	17
0541055900	COMPLETE FIXATION STRAP 1000	18
0541053782	TANK ASSEMBLY 1000 LTS	19
0909097417	SPRAY BOOM ASSEMBLY	20
0541054461	THIRD SECTION 20M LEFT SIDEBAR	21
0541054460	THIRD SEGMENT OF THE SPRAY BOOM 20M RIGHT SIDE	22
0541053592	PULLEY SUPPORT	23



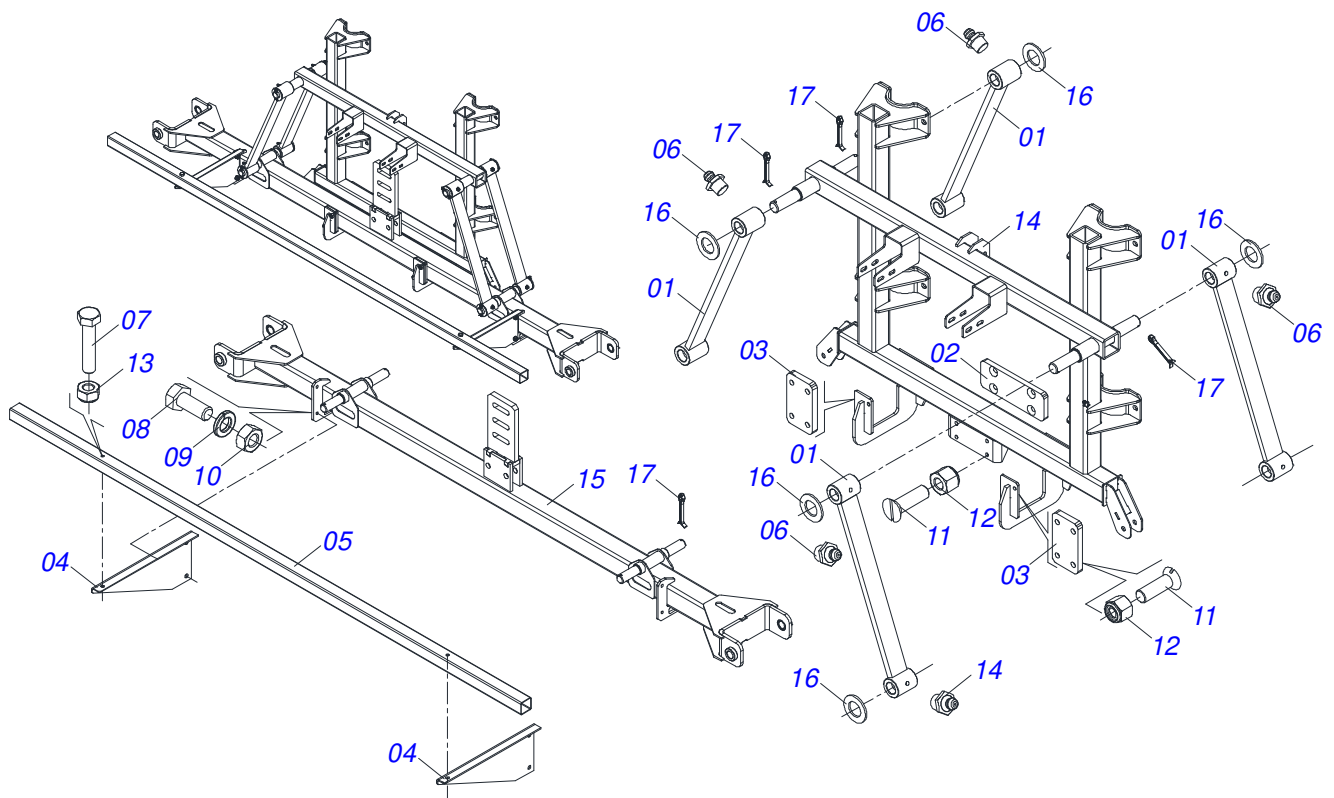
Item	Code	Description	See page	QT
001	0541054521	MAST AND TOWER ASSEMBLY	2	01
002	0503036844	COMPRESSION SPRING 66 X 300 X 12.7		01
003	0531068049	UPPER BUSHING ASSEMBLY		01
004	0531068218	TOWER SPRING ROD		01
005	0503010149	5/8" UNF DOUBLE NUT		01
006	0501319676	LIFT PULLEY H		02
007	0501416830	LOWER TANK SUPPORT		02
008	0503013389	5/8" SELF LOCKING NUT		08
009	0503013621	5/16 UNC X 4.1/4 CS G.5 ZN BOLT		04
010	0501316538	ARM FIXATION STRAP		02
011	0531068128	SUPPORT		01
012	0501319601	PRIMARY BAR PIN		02
013	0501012140	FLAT WASHER 16,50 X 40 X 4,00 ZN		02
014	0503010188	M10 X 1,5 X 30 BOLT		08
015	0503015075	M10 SPRING WASHER		08
016	0503011051	M10 X 0.6" NUT		08
017	0501010984	10,50 X 27 X 3,00 FLAT WASHER		04
018	0503018737	BOLT M8 X 1,25 X 80 GRAU 5.8 - RP ZN		10
019	0503014371	M8 SPRING WASHER		04
020	0501010694	FLAT WASHER 8,50 X 18 X 1,50 ZN		06
021	0503010427	METRIC M8 X P.0.5" NUT		04
022	0501410335	HITCH PIN SUPPORT 12 X 45		01
023	0503010257	1/8" X 1" SPLIT PIN		04
024	0501410333	HITCH PIN SUPPORT 16 X 63		04
025	0503014255	14 X 22 CLAMP		02
026	0501319598	3/4 LEVEL HOSE VENT		01
027	0541056390	FUZION HYDRAULIC SYSTEM KIT PUMP TT75	4	01
028	0521056998	ALUMINUM IDENTIFICATION LABEL WITH RIVET		01
028A	0503034003	61 X 118 SERIAL NUMBER TAG		01
028B	0503010001	RIVET 3,2 X 5,5		04
029	0503031087	AUTO CONTROL APPROVED DECAL		01

Item	Code	Description	See page	QT
030	0503036801	ADHESIVE LABEL ATTENTION BEFORE OPERATING RETIGHTEN		01
031	0503036800	ADHESIVE LABEL ATTENTION		01
032	0503036799	SAFETY ADHESIVE LABEL		01
033	0531068793	PLATFORM LOCK		01
034	0501410337	HITCH PIN SUPPORT 12 X 55		07
035	0501011541	5/8 UNC X 3 CS G.5 ZN1K28066 BOLT		02
036	0503010232	5/8" X 1.3/4" BOLT		02
037	0513012583	PP INTERNAL TUBE COVER 60 X 60		06
038	0503010762	SCREW 5/8 UNC X 3.1/2 CS G.5 ZN		02
039	0541055947	SPRAYING ASSEMBLY	9	01
040	0513012645	COFAP CB27307R SHOCK ABSORBER		01
041	0541054512	MANUAL STORAGE TUBE ASSY	16	01
042	0501319237	TOWER LOCK		01
043	0501319236	LIFTING SUPPORT LOCK		01
044	0541054477	HOSE SET 1.1/2 X 5000 SUCTION	17	01
045	0503016882	BOLT 5/16 UNC X 1 CAPQ G.2 INOX		08
046	0503019657	HEX LOCK NUT WITH NYLON 5/16		08
047	0531068963	SUPPORT		01
048	0503037060	TATU LOGO PLATE		01
049	0503037062	DECAL		01
050	0501011755	3/8" X 3" BOLT		02
051	0503019604	SELF LOCKING HEX NUT WITH NYLON 3/8 UNC 2B		02
052	0501010984	10,50 X 27 X 3,00 FLAT WASHER		02
053	0531068965	LOWER SUPPORT TUBE FIXING		01
054	0503013759	NUT		04
055	0503010365	BOLT 5/16 UNC X 1.1/4 C S G.5 ZN		04
056	0503013357	3/8 SELF-ADJUSTING NUT		04
057	0503014829	3/8 UNC X 3.1/2 C S G.5 ZN BOLT		04
058	0501413828	FIXATION PLATE		02
059	0501013518	FLAT WASHER 10,50 X 24 X 1,50 ZN		04
060	0531068966	TOOL BOX SUPPORT		01
061	0531068398	TOWER LOCK		02
062	0503034772	BOX		01
063	0503011841	M10 SELF ADJUSTING NUT		11
064	0531068849	FRAME		01
065	0521010582	COUPLING SHAFT		03
066	0503031035	HITCH PIN CLIP		03
067	0503010920	1/2 UNC X 1.1/2 C S G.5 ZN BOLT		01
068	0501010937	13,50 X 28 X 3,00 FLAT WASHER		09
069	0503010019	1/2" SPRING WASHER		03
070	0503013977	M10 X 1,5 X 50 C S 8.8 ZN BOLT		01
071	0501415913	LEVEL SUPPORT PLATE		01
072	0503036963	ADHESIVE LABEL 1000L TANK SCALE		01
073	0503036806	TANK LID SAFETY ADHESIVE LABEL		01
074	0503010282	1/4" X 3/4" BOLT		06
075	0503010144	1/4" NUT		10
076	0503030168	HITCH PIN CLIP		01
077	0503037022	BOLT 1/4 UNC X 5/8 RI CS INOX BLACK		04
078	0503010143	1/4" SPRING WASHER		10
079	0503010305	6,50 X 17 X 1,50 ZN FLAT WASHER		06
080	0501415914	DOUBLE SUPPORT		01
081	0591011409	FLAT WASHER 16,5 X 35 X 3,00		04
082	0503010967	SCREW 5/8 UNC X 5.1/2 CS G.5 ZN		02
083	0501415753	25 X 130 BELT TIGHTENING SHAFT		02
084	0541055900	COMPLETE FIXATION STRAP 1000	18	01
085	0503010523	1/4 X 2 SPLIT PIN		02
086	0503011082	C1/2" X 1.3/4" SCREW		01
087	0501415916	CRYSTAL HOSE 3/4 X 1305 MM		01
088	0503010179	LOCK WASHER 5/16 ZN 1K01528		24
089	0503010337	NUT 5/16 UNC G.5 ZN		20

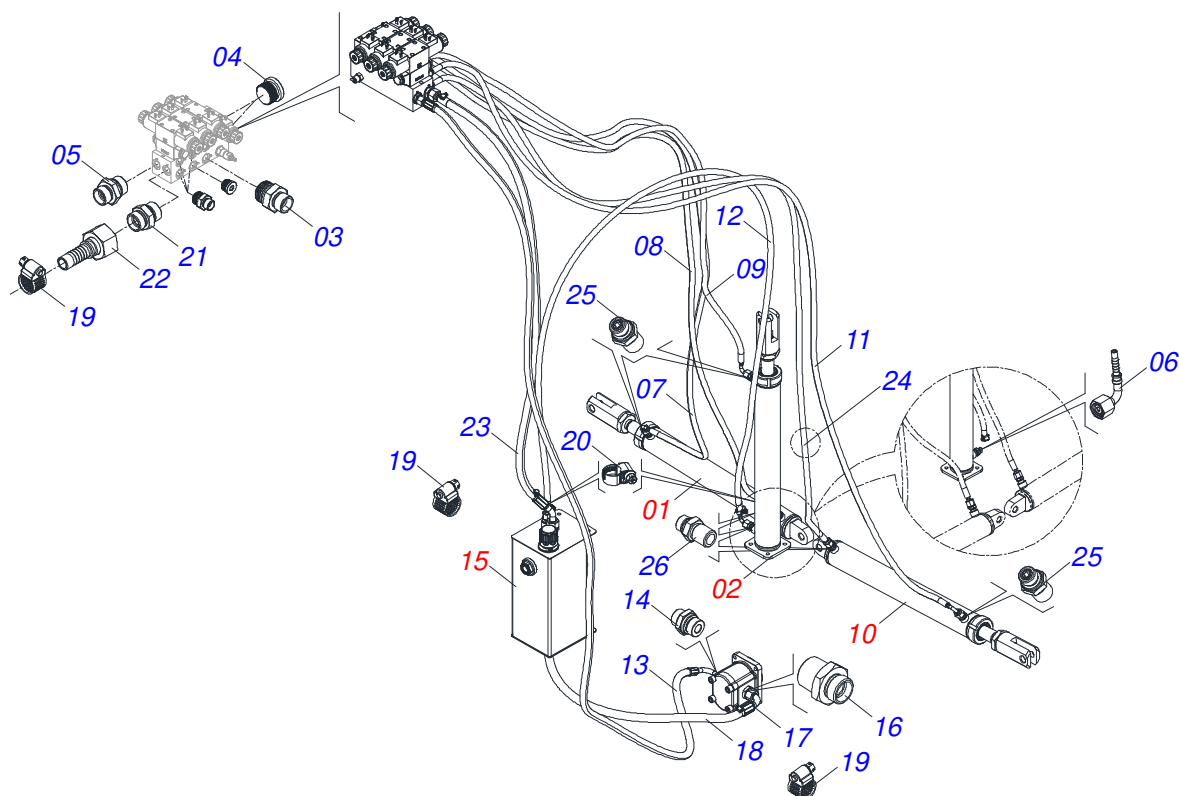
Item	Code	Description	See page	QT
090	0513012031	TUBE COVER 40 X 40		04
091	0513013096	PP INTERNAL TUBE COVER 50 X 50		02
092	0541053782	TANK ASSEMBLY 1000 LTS	19	01
093	0531069715	SUPPORT		01
094	0503015114	BOLT		02
095	0501416543	PLASTIC PROTECTION SPRING FOR HOSE 3/4 X 4500MM		01
096	0531069858	SUPPORT		02
097	0531069857	SUPPORT		01
098	0503011429	M 8 X 1,25 X 40 BOLT		02
099	0501416944	SPRING GUIDE		01
100	0501416942	SUPPORT		02
101	0513012030	PLASTIC BALL TANK LEVEL		01
102	0513012547	M8 X 1,25 X 25 CAPQ 8.8 ZN BOLT		04
103	0503064736	CARDAN S1000X1115MM (Z6 1.3/8 / F30) CC1062/12PS		01
104	0541056397	LIFTING CABLE H 2000MM		01
104A	0501416955	STEEL CABLE 5/16 X 2100		01
104B	0513012859	5/16 ALUMINUM CLAMP FOR STEEL CABLE		02
105	0503015130	M10 X 1,5 X 35 C S 8.8 ZN BOLT		04
106	0503037339	LEFT SIDEBAR ADHESIVE LABEL LARGER		02
107	0503037340	RIGHT SIDEBAR STICKER LABEL LARGER		02
108	0503037341	LEFT SIDEBAR STICKER LABEL SMALLER		02
109	0503037342	RIGHT SIDEBAR STICKER LABEL SMALLER		02
110		SPRAY BOOM ASSEMBLY	20	



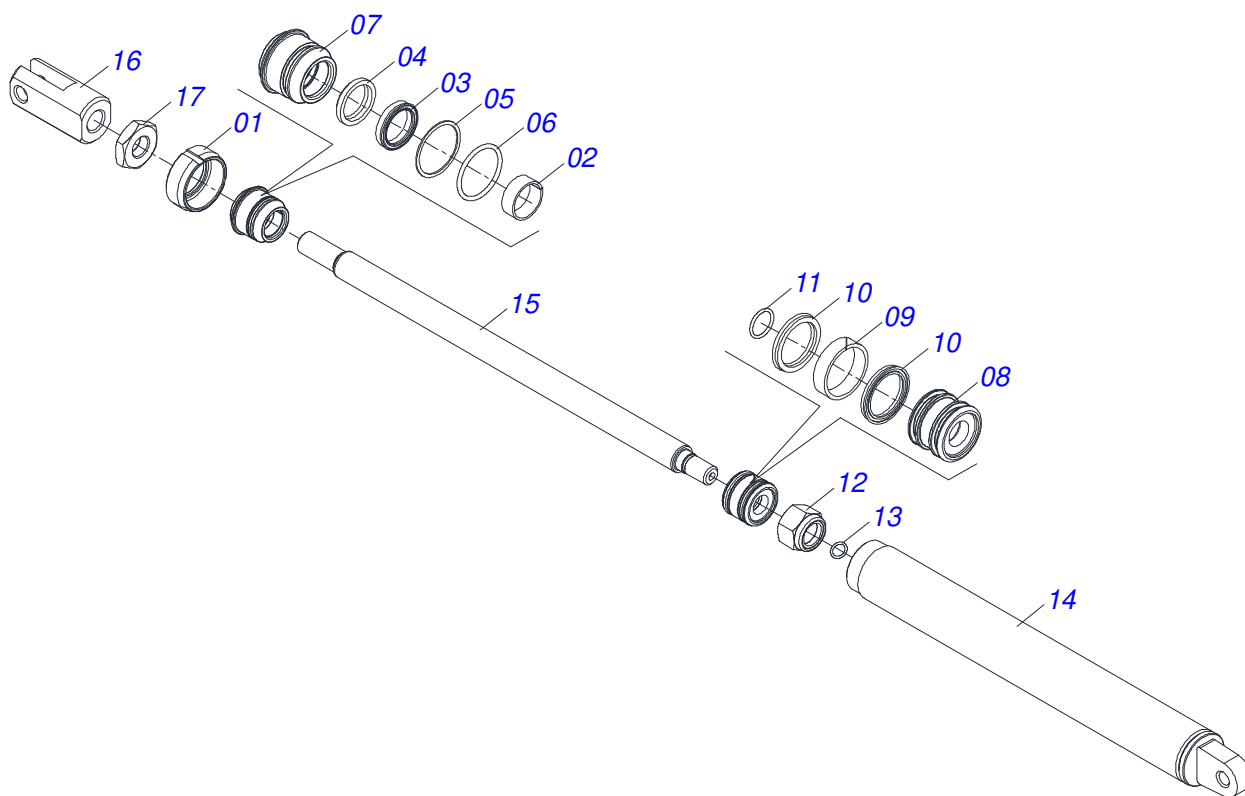
Item	Code	Description	See page	QT
01	0503036575	NYLON BUSH		08
02	0531068827	CLAMP		04
03	0503014371	M8 SPRING WASHER		06
04	0503010427	METRIC M8 X P.0.5" NUT		06
05	0513012171	SUPPORT		02
06	0503015075	M10 SPRING WASHER		16
07	0503011051	M10 X 0.6" NUT		16
08	0501010984	10,50 X 27 X 3,00 FLAT WASHER		24
09	0541054525	ARTICULATOR ASSEMBLY	3	01
10	0503010188	M10 X 1,5 X 30 BOLT		16
11	0531068762	HYDRAULIC MAST ASSEMBLY		01
12	0531068770	GALVANIZED MAST		02
13	0531068854	CENTRAL SEPARATOR		02
14	0501010694	FLAT WASHER 8,50 X 18 X 1,50 ZN		06
15	0503011257	M 8 X 1,25 X 30 BOLT		06



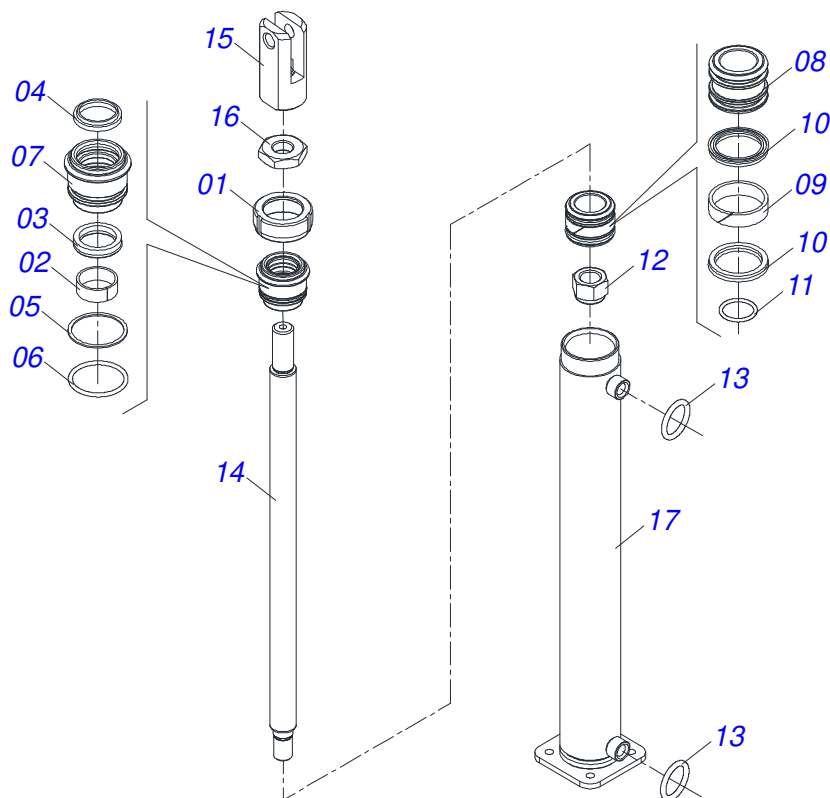
Item	Code	Description	See page	QT
01	0531068075	ARTICULATION ARM		04
02	0501410634	150 X 55 X 10 SUPPORT		01
03	0501410633	90 X 53 X 10 SUPPORT		02
04	0501410632	CENTRAL BAR FIXING SUPPORT		02
05	0501316448	TUBE 40 X 40 X 2000		01
06	0503010002	1800 GREASE FITTING		08
07	0503018743	M8 X 1,25 X 55 GRAU 5.8 RP ZN BOLT		02
08	0503011294	M 8 X 1,25 X 20 BOLT		04
09	0503014371	M8 SPRING WASHER		04
10	0503010427	METRIC M8 X P.0.5" NUT		04
11	0503011767	5/16" X 1" BOLT		08
12	0503013759	NUT		08
13	0503019913	SELF-LOCKING NUT W/ NYLON M8 X 1.25 C.8 ZN		02
14	0531068547	FRAME		01
15	0531068767	CENTRAL SUPPORT BARS SERIES 2		01
16	0501011445	FLAT WASHER		08
17	0503010577	3/16" X 1.1/4" SPLIT PIN		08



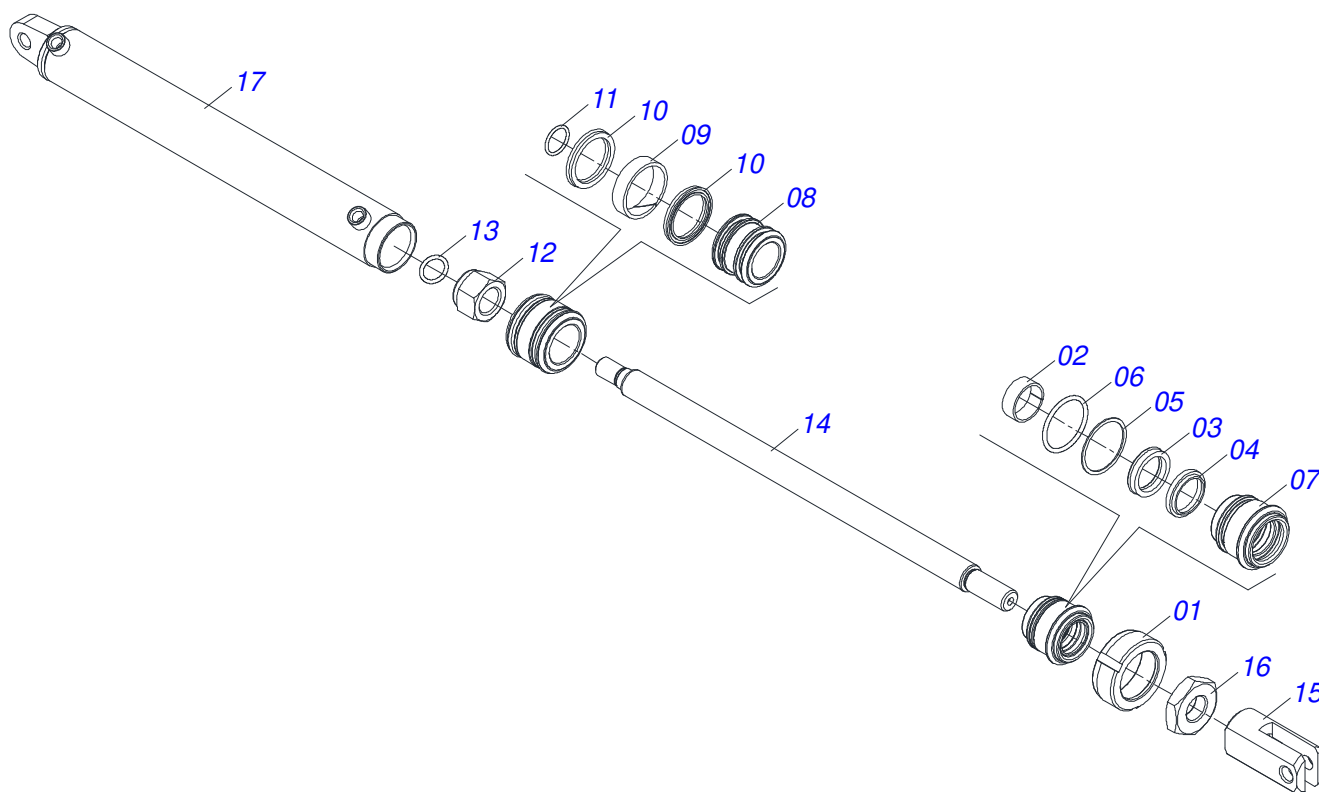
Item	Code	Description	See page	QT
01	0541053558	HYDRAULIC CYLINDER 31,75 X 50,8 X 672 X 407	5	01
02	0541053557	HYDRAULIC CYLINDER 31,75 X 50,8 X 638 X 407	6	01
03	0513010841	ADAPTER TERMINAL MF R.3/4 UNF ORING X MF TB10L		05
04	0513012370	HEX PLUG 3/4 UNF		03
05	0513011678	ADAPTER TERMINAL 3/4 UNF ORING X MF TB12L		01
06	0503064314	TERMINAL / COVER PP9010L / R02-4		01
07	0503064564	HOSE 2T TR TC 1/4 X 2500 MEP DKO 10L		01
08	0503064565	HOSE 2T TR TR 1/4 X 2100 MEP DKO 10L		01
09	0503064566	HOSE 2T TR TC 1/4 X 1500 MEP DKO 10L		01
10	0541053962	OPENING CYLINDER BAR 63.5 X 768 X 510 LEFT 7 SIDE		01
11	0503064564	HOSE 2T TR TC 1/4 X 2500 MEP DKO 10L		01
12	0501410414	HOSE 1/2 X 2200 AB AB SANSUY BLACK		01
13	0503064567	HOSE 2T TR TC 3/8 X 2800 MEP DKO 12L		01
14	0513012693	ADAPTER TERMINAL MF 3/4 NPT		01
15	0541055800	5L OIL RESERVOIR COMPLETE	8	01
16	0513012476	MALE UNION DKO 15 X 3/4 NPT XAEUM 15		01
17	0513010992	HOSE TERMINAL 1/2 X FGC90 DKO TB15		01
18	0501415644	HOSE 1/2 X 850 AB AB SANSUY BLACK		01
19	0503019473	1/2 HOSE CLAMP		04
20	0513011633	ADJUSTABLE CLAMP 9X13 1544		02
21	0513010818	ADAPTER TERMINAL MF R.7/8 UNF		01
22	0503064315	TERMINAL / COVER PP0015 / R02-8		01
23	0501415643	HOSE 1/2 X 1800 AB AB SANSUY BLACK		01
24	0503064566	HOSE 2T TR TC 1/4 X 1500 MEP DKO 10L		01
25	0541056167	FLOW REDUCTION VALVE		03
26	0513012291	UNIAO MALE DKO 10L X 9/16 UNF		03
27	0501416635	HYDRAULIC OIL ISO VG 68 5L		01



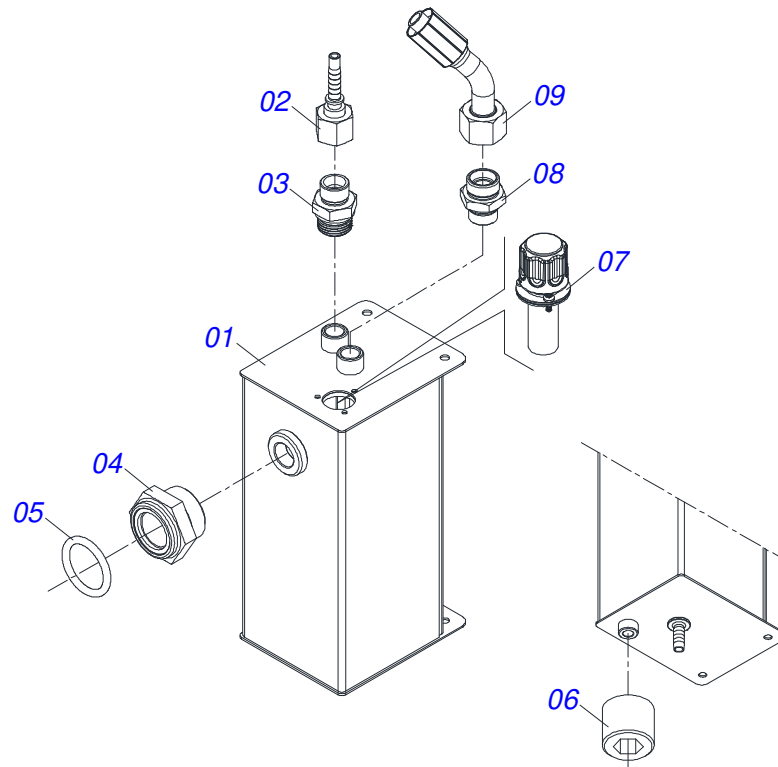
Item	Code	Description	See page	QT
01	0571011411	MOBILE CYLINDER LID		01
02	0503014683	W1-1400-500 RING GUIDE		01
03	0503018174	RING		01
04	0503013915	D-1250 SCRAPER RING		01
05	0503013918	8-224 BACK-UP RING		01
06	0503013917	O`RING 2-224		01
07	0571011410	RING SUPPORT		01
08	0551019990	31,75 X 50,80 X 39,40 PISTON		01
09	0503010949	W2-2000-500 PK RING G.E		01
10	0503013920	GASKET 1870-1625		02
11	0503014677	2-118 O`RING		01
12	0503010812	7/8" UNF SELF LOCKING NUT		01
13	0503013161	2-013 N 3006-9B O`RING		01
14	0531068077	CYLINDER BARREL 63,5 X 581		01
15	0501319735	ROD 31,75 X 550		01
16	0501319736	TERMINAL U		01
17	0501310696	AGAINST NUT		01



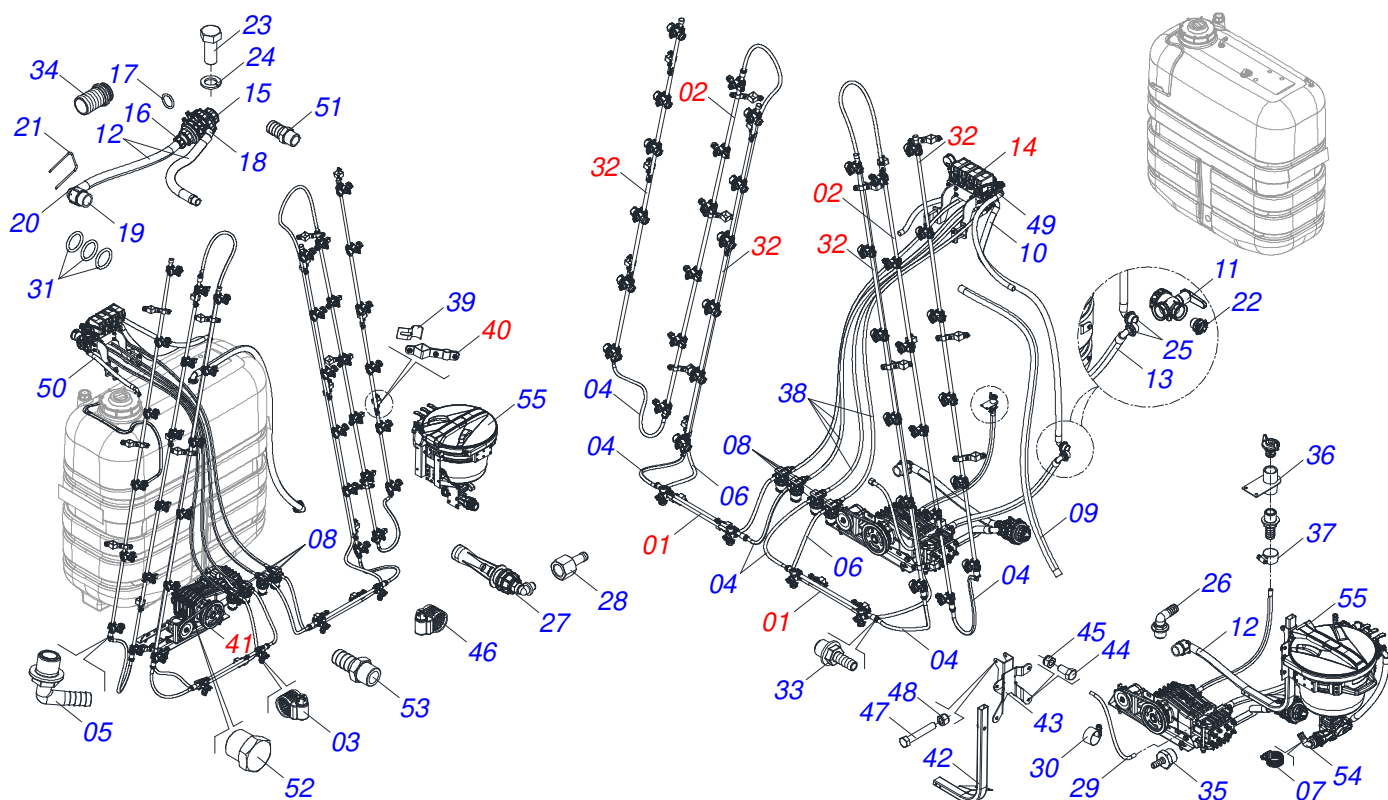
Item	Code	Description	See page	QT
01	0571011411	MOBILE CYLINDER LID		01
02	0503014683	W1-1400-500 RING GUIDE		01
03	0503018174	RING		01
04	0503013915	D-1250 SCRAPER RING		01
05	0503013918	8-224 BACK-UP RING		01
06	0503013917	O`RING 2-224		01
07	0571011410	RING SUPPORT		01
08	0551019990	31,75 X 50,80 X 39,40 PISTON		01
09	0503010949	W2-2000-500 PK RING G.E		01
10	0503013920	GASKET 1870-1625		02
11	0503014677	2-118 O`RING		01
12	0503010812	7/8" UNF SELF LOCKING NUT		01
13	0503013161	2-013 N 3006-9B O`RING		02
14	0501319735	ROD 31,75 X 550		01
15	0501319736	TERMINAL U		01
16	0501310696	AGAINST NUT		01
17	0531068078	CYLINDER BARREL 63,5 X 525		01



Item	Code	Description	See page	QT
01	0571011411	MOBILE CYLINDER LID		01
02	0503014683	W1-1400-500 RING GUIDE		01
03	0503018174	RING		01
04	0503013915	D-1250 SCRAPER RING		01
05	0503013918	8-224 BACK-UP RING		01
06	0503013917	O`RING 2-224		01
07	0571011410	RING SUPPORT		01
08	0551019990	31,75 X 50,80 X 39,40 PISTON		01
09	0503010949	W2-2000-500 PK RING G.E		01
10	0503013920	GASKET 1870-1625		02
11	0503014677	2-118 O`RING		01
12	0503010812	7/8" UNF SELF LOCKING NUT		01
13	0503013161	2-013 N 3006-9B O`RING		01
14	0501319735	ROD 31,75 X 550		01
15	0501319736	TERMINAL U		01
16	0501310696	AGAINST NUT		01
17	0531068437	CYLINDER BARREL 63,5 X 581 LEFT SIDE		01

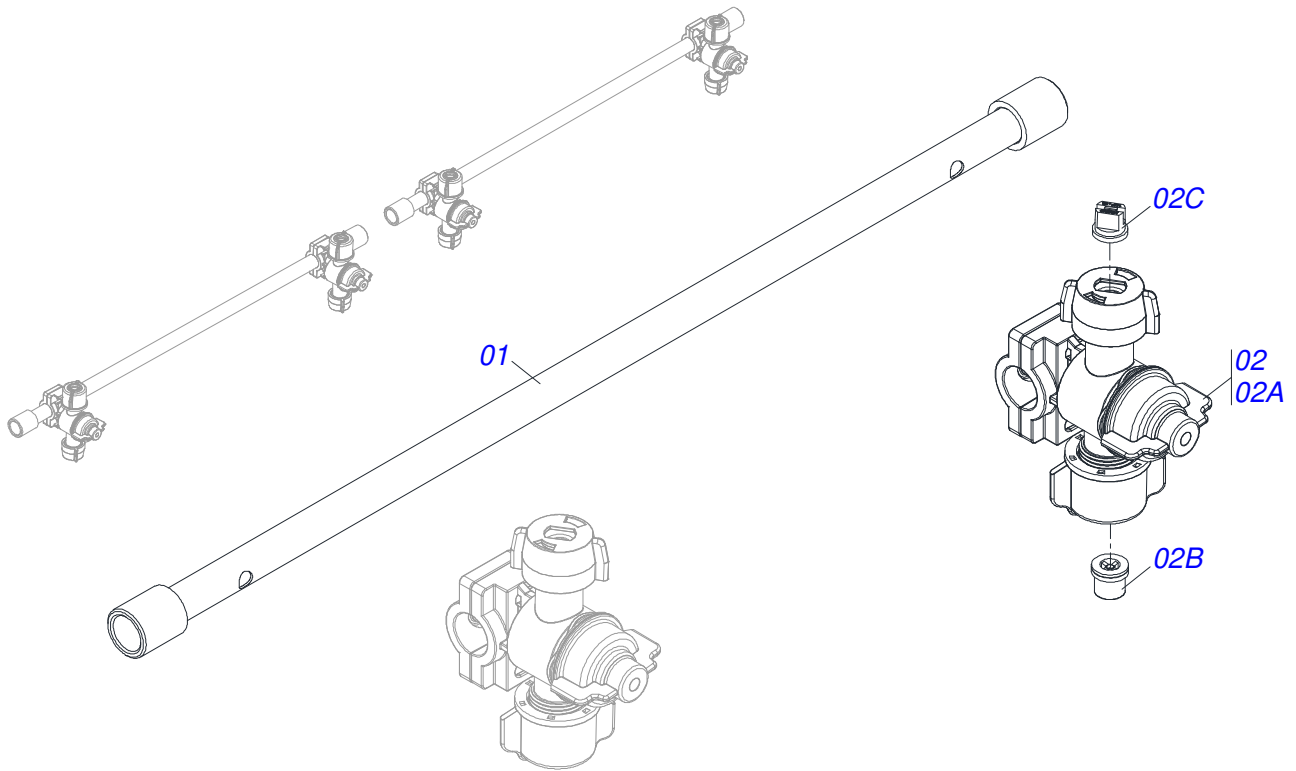


Item	Code	Description	See page	QT
01	0531069412	5 LITER OIL RESERVOIR		01
02	0503064313	TERMINAL / COVER PP0010L / R02-4		01
03	0513010841	ADAPTER TERMINAL MF R.3/4 UNF ORING X MF TB10L		01
04	0503013689	VISOR OIL LEVEL		01
05	0513012801	ORING RING 2-213		01
06	0503010712	1/4" NPT PLUG		01
07	0513013005	FILLER NOZZLE 150 LPM VFSB-05		01
08	0513010819	ADAPTER TERMINAL MF R.3/4 UNF		01
09	0513010989	HOSE TERMINAL 1/2 X FGC45 DKO TB15		01

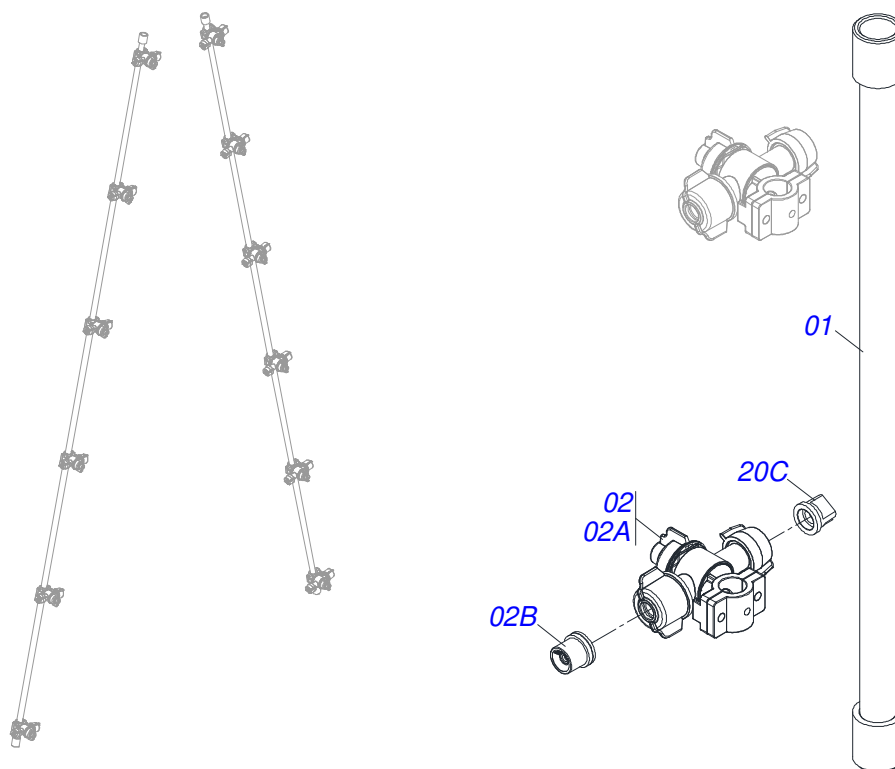


Item	Code	Description	See page	QT
01	0541053725	04 NOZZLE TUBE CENTRAL ASSEMBLY	10	02
02	0541054222	06 NOZZLE TUBE 2650	11	02
03	0503019473	1/2 HOSE CLAMP		24
04	0501410421	HOSE 1/2 X 650 AB AB SANSUY BLACK		06
05	0513012702	CURVE TYPE CONNECTION 1/2 1132213		02
06	0501410424	HOSE 1/2 X 6000 AB AB SANSUY BLACK		02
07	0503019481	HOSE CLAMP		10
08	0503064205	3/4 THREAD LINE FILTER		04
09	0501013424	1.1/4 X 1200 AB-AB HOSE		01
10	0501410407	HOSE 1 X 2000 PRESSURE AB SANSUY BLACK		01
11	0513012178	3 WAY VALVES 45531115A		01
12	0501413230	SPIRAL HOSE 1.1/4 X 700 SUCTION		02
13	0501410404	HOSE 1 X 1000 PRESSURE AB SANSUY BLACK		01
14	0541053571	COMPLETE SOLENOID VALVE BRACKET	12	01
15	0503064607	SUCTION FILTER M710 R 1.1/4		01
16	0513011450	NUT TYPE CONNECTION G1 1/4		02
17	0503019482	RING ORING 2.62 X 26.65X31.89 SP3-G10051		02
18	0513012761	D32 CURVE TYPE CONNECTION NUT G1.1/4 116533.25		01
19	0513012803	CONNECTION 56.10MM X POLYME PLASTIC THREAD		01
20	0513012804	SUCTION CONNECTION 90 X 1.1/4		01
21	0513012805	LATCH 56 (INOX)		01
22	0513011701	UNION TYPE CONNECTION T5 F X G1 1/4 M		01
23	0503011294	M 8 X 1,25 X 20 BOLT		03
24	0503014371	M8 SPRING WASHER		03
25	0513012179	CURVE TYPE CONNECTION G1 1/4 M D.25		02
26	0503019488	G 3/4 CURVE CONNECTOR		01
27	0503064430	AGITATOR		01
28	0503018847	INTERNAL THREAD CONNECTOR 1/2 NPT X HOSE NOZZLE 1/2		01
29	0501410287	HOSE 1/2 X 700 AB AB SANSUY BLACK		01

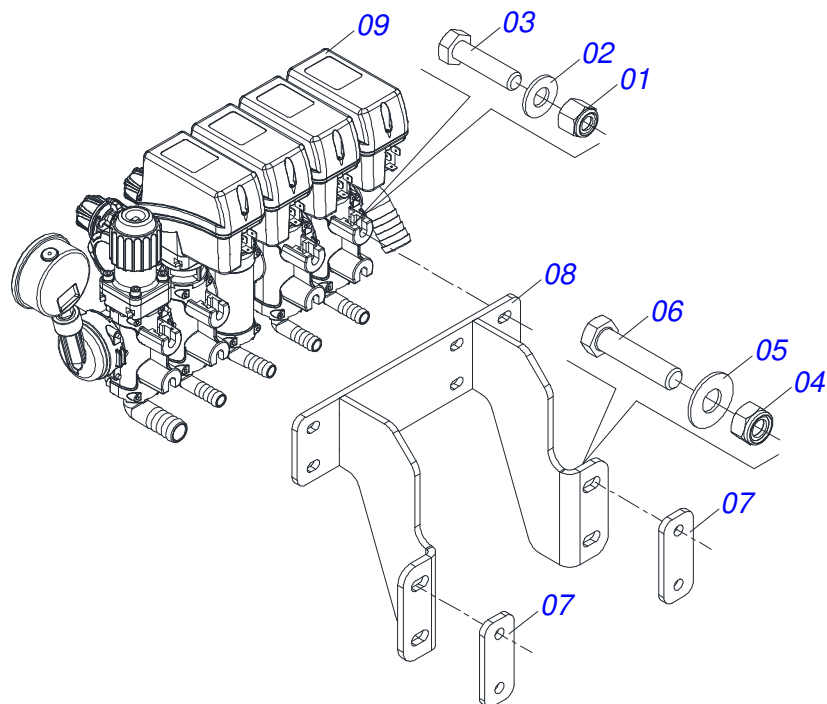
Item	Code	Description	See page	QT
30	0503015811	WORM THREAD CLAMP 13-19 9 MM		02
31	0513012806	53.57 X 3.53 RING		03
32	0541053723	06 NOZZLE TUBE 2640	13	04
33	0513012036	STRAIGHT THREAD CONNECTION 1/2 HOSE 1/2 CNX 1011		10
34	0513011449	STRAIGHT CONNECTION D.32 FOR NUT 1 1/4 WITH RING		01
35	0501413206	NIPPLE R1 NPT		01
36	0531067521	PUMP SUPPLY ASSEMBLY		01
37	0503014255	14 X 22 CLAMP		02
38	0501410414	HOSE 1/2 X 2200 AB AB SANSUY BLACK		04
39	0501415672	HOSE CLIP		10
40	0541056391	COMPLETE FIXER	14	22
41	0541054511	PUMP ASSEMBLY	15	01
42	0531068964	FIXING TUBE ASSEMBLY		01
43	0531068050	MIXER FIXER - ASSEMBLED		01
44	0503011334	3/8 UNC X 3/4 CS G.5 ZN BOLT		04
45	0503013357	3/8 SELF-ADJUSTING NUT		04
46	0513011864	3/4 HOSE TIE		04
47	0503010479	BOLT		02
48	0503010589	1/2" UNC SELF ADJUSTING NUT		02
49	0501317116	LOCKED HOSE 1 X 500MM COMMAND RETURN		01
50	0501415671	SPIRAL HOSE 3/4 X 750 AB AB		01
51	0501414863	HYDRAULIC NIPPLE 1 BSPT		01
52	0501414865	PLUG 1 BSPT HEX 1.1/2		01
53	0501414862	NIPPLE 1 BSPT X SPIKE 1 X 85		01
54	0513012224	FEMALE FIXING 1190632		01
55	0513011432	NIAGARA BOTTLE WASH MIXER		01



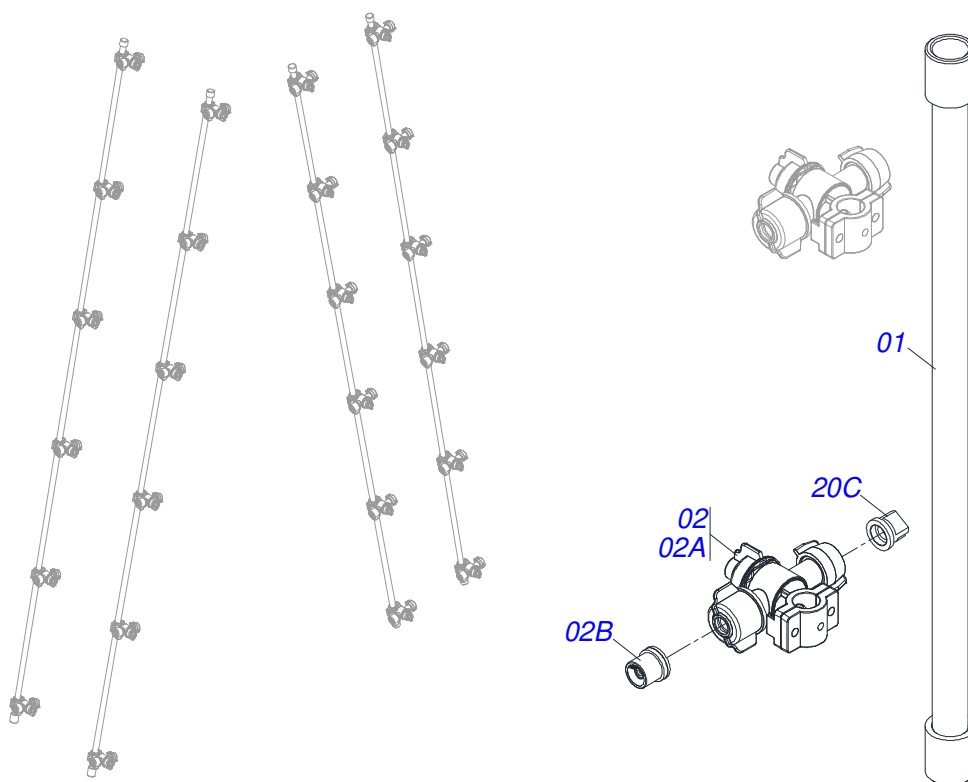
Item	Code	Description	See page	QT
01	0531068283	CENTRAL TUBE FOR 02 NOZZLE HOLDERS		01
02	0541053724	BIJET NOZZLE HOLDER SET		02
02A	0513012048	ANTI-DRIP QUICK-CONNECT BIJET NOZZLE HOLDER		01
02B	0513012457	SPRAYER TIP MJ380 - MCP 2		01
02C	0513012458	SPRAYER TIP MJ302 - TP 11002		01



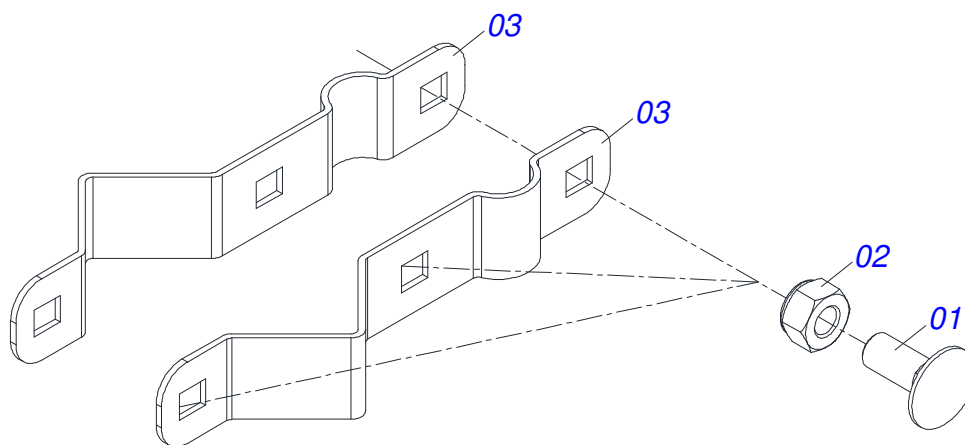
Item	Code	Description	See page	QT
01	0531068115	1 SECTION TUBE 2650		01
02	0541053724	BIJET NOZZLE HOLDER SET		06
02A	0513012048	ANTI-DRIP QUICK-CONNECT BIJET NOZZLE HOLDER		01
02B	0513012457	SPRAYER TIP MJ380 - MCP 2		01
02C	0513012458	SPRAYER TIP MJ302 - TP 11002		01



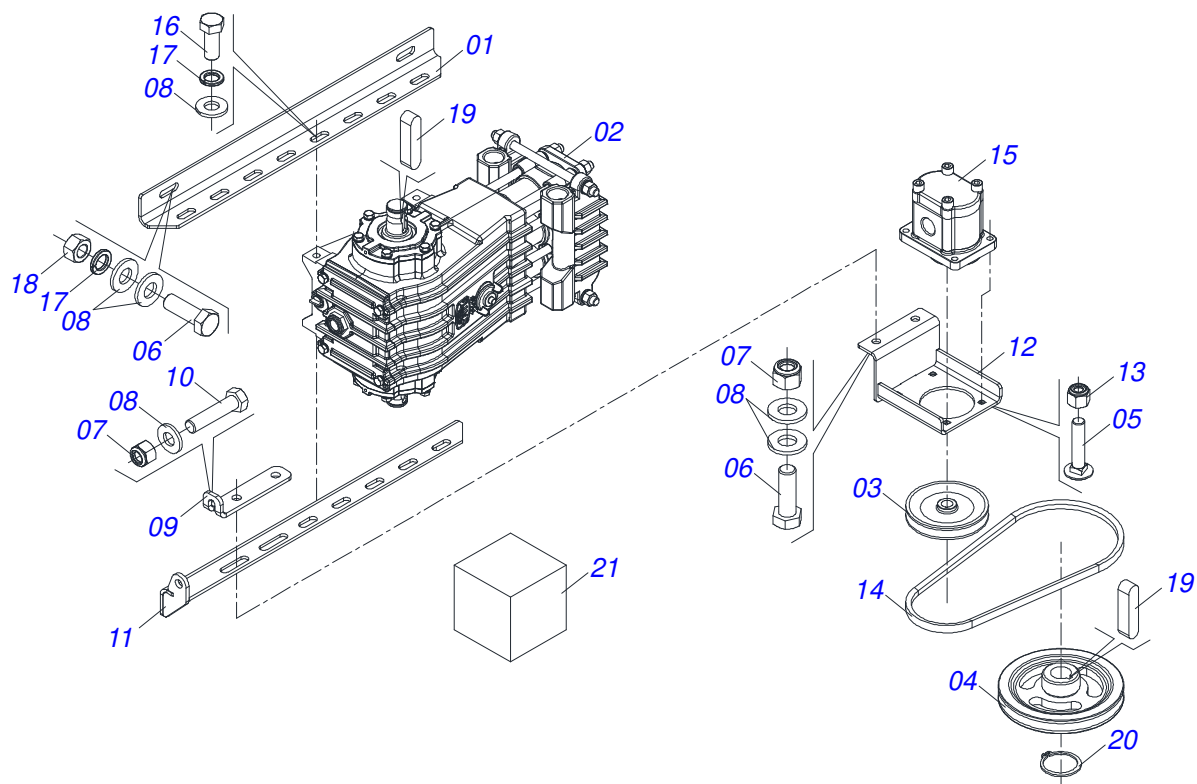
Item	Code	Description	See page	QT
01	0503013759	NUT		08
02	0501010694	FLAT WASHER 8,50 X 18 X 1,50 ZN		08
03	0503010365	BOLT 5/16 UNC X 1.1/4 C S G.5 ZN		08
04	0503013357	3/8 SELF-ADJUSTING NUT		04
05	0501013518	FLAT WASHER 10,50 X 24 X 1,50 ZN		04
06	0503014829	3/8 UNC X 3.1/2 C S G.5 ZN BOLT		04
07	0501319935	FIXING PLATE		02
08	0531068104	SOLENOID VALVE SUPPORT		01
09	0503064626	FUZION ELECTRIC HYDRAULIC COMPLETE KIT		01



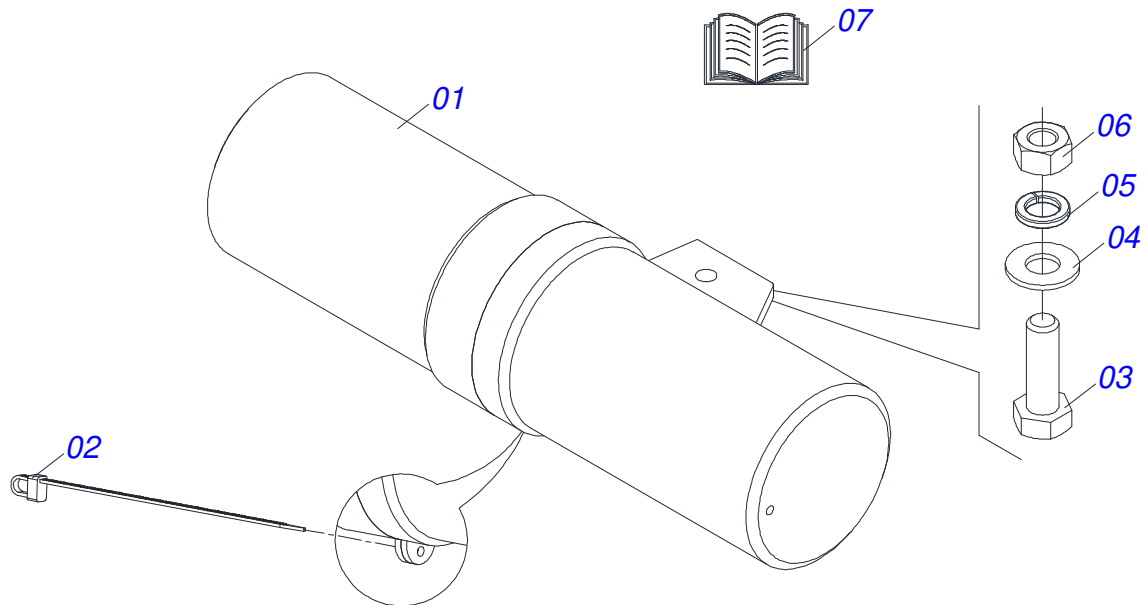
Item	Code	Description	See page	QT
01	0531068122	FINAL TUBE 2640		01
02	0541053724	BJET NOZZLE HOLDER SET		06
02A	0513012048	ANTI-DRIP QUICK-CONNECT BIJET NOZZLE HOLDER		01
02B	0513012457	SPRAYER TIP MJ380 - MCP 2		01
02C	0513012458	SPRAYER TIP MJ302 - TP 11002		01



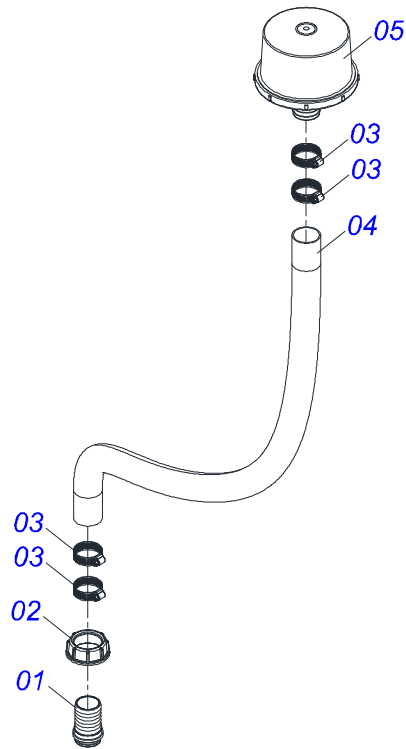
Item	Code	Description	See page	QT
01	0503016881	5/16 UNC X 3/4 BOLT		03
02	0503019657	HEX LOCK NUT WITH NYLON 5/16		03
03	0501416948	SUPPORT		02



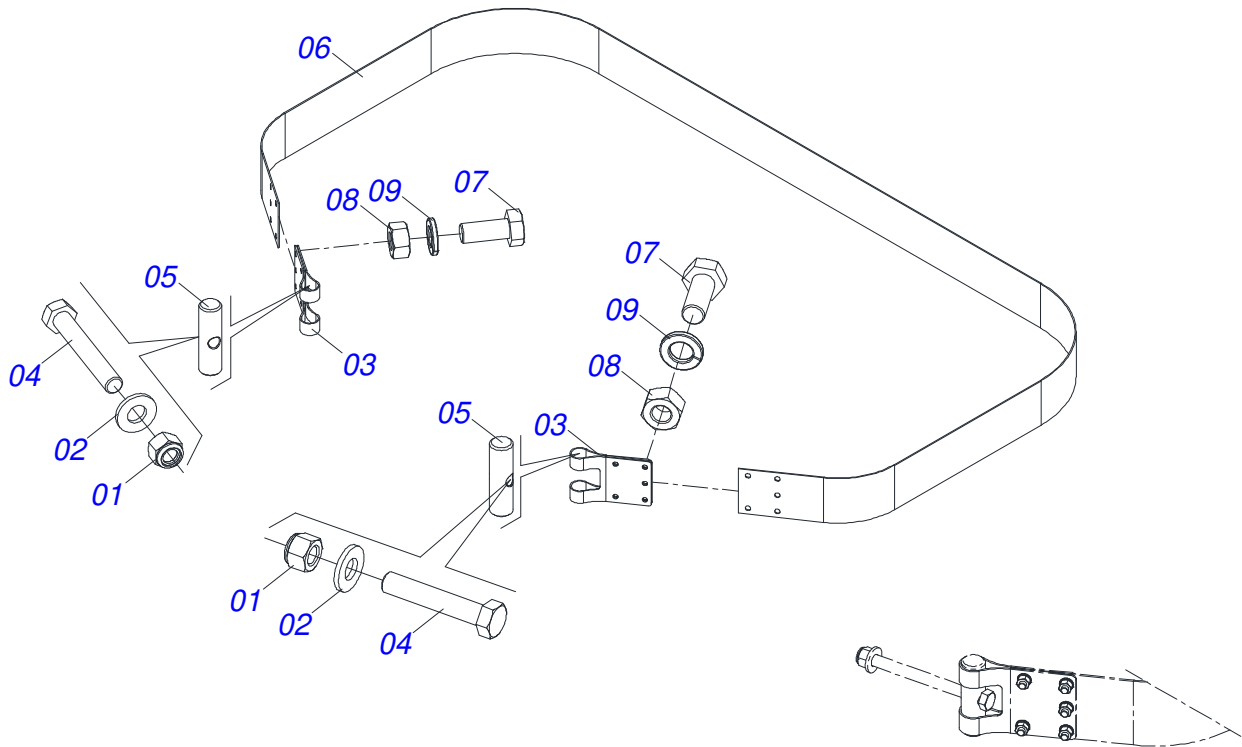
Item	Code	Description	See page	QT
01	0501317285	PUMP SUPPORT		01
02	0503064648	M75 TATU PUMP ASSEMBLY		01
03	0501410630	PULLEY 120 CHANNEL A		01
04	0531068119	PULLEY 180 PUMP		01
05	0503012163	5/16" X 1-1/2" BOLT		04
06	0503010920	1/2 UNC X 1.1/2" C S G.5 ZN BOLT		06
07	0503010589	1/2" UNC SELF ADJUSTING NUT		03
08	0501010937	13,50 X 28 X 3,00 FLAT WASHER		17
09	0501411706	STRETCHER		01
10	0503010547	1/2" X 4" BOLT		01
11	0531068850	SUPPORT		01
12	0531068851	HYDRAULIC PUMP SUPPORT		01
13	0503013759	NUT		04
14	0503036987	A-34 BELT		01
15	0513012609	HYDRAULIC PUMP		01
16	0501010161	BOLT 1/2" UNC X 1.1/4" C S G.2 ZN		04
17	0503010019	1/2" SPRING WASHER		08
18	0503010060	1/2 UNC G.5 ZN HEX NUT		04
19	0513012901	KEY 5/16 X 5/16 X 35 SAE 1045		02
20	0503010707	501030 CLAMPING RING (FOR AXLE)		01
21	0501416634	OIL IPIRA ULTRA PLUS 15W40-BD 1,5L		01



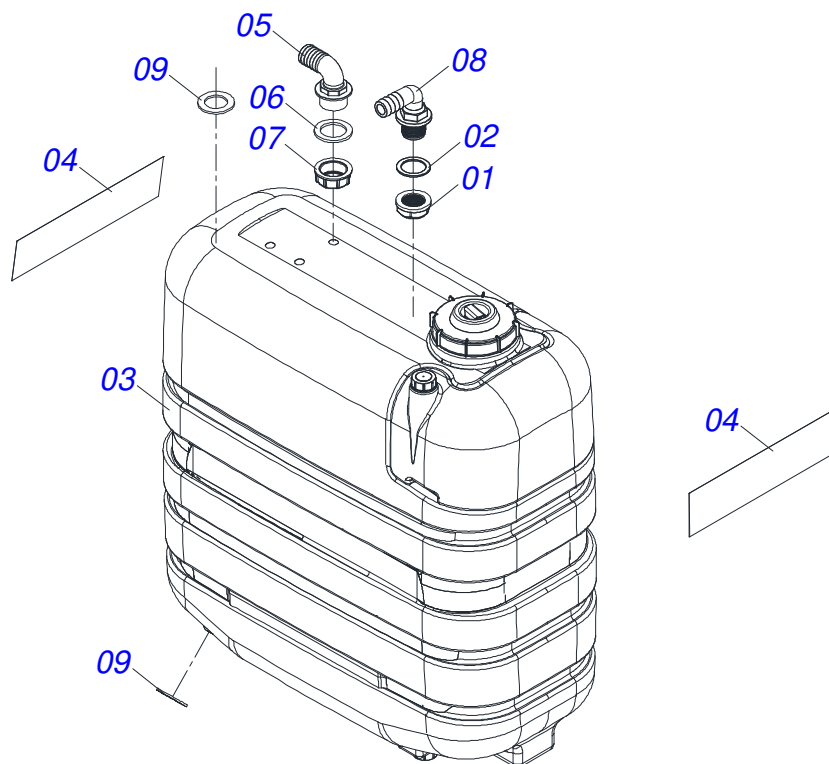
Item	Code	Description	See page	QT
01	0503060100	SUPPORT INSTRUCTION MANUAL		01
02	0503010267	NYLON CLAMP 3,60 X 1,3 X 155 MM		01
03	0503010363	BOLT 5/16 UNC X 1 C S G.2 ZN		01
04	0501010694	FLAT WASHER 8,50 X 18 X 1,50 ZN		01
05	0503010179	LOCK WASHER 5/16 ZN 1K01528		01
06	0503010337	NUT 5/16 UNC G.5 ZN		01
07	0511035034	PLASTIC COVER WITH INSTRUCTIONS MANUAL		01



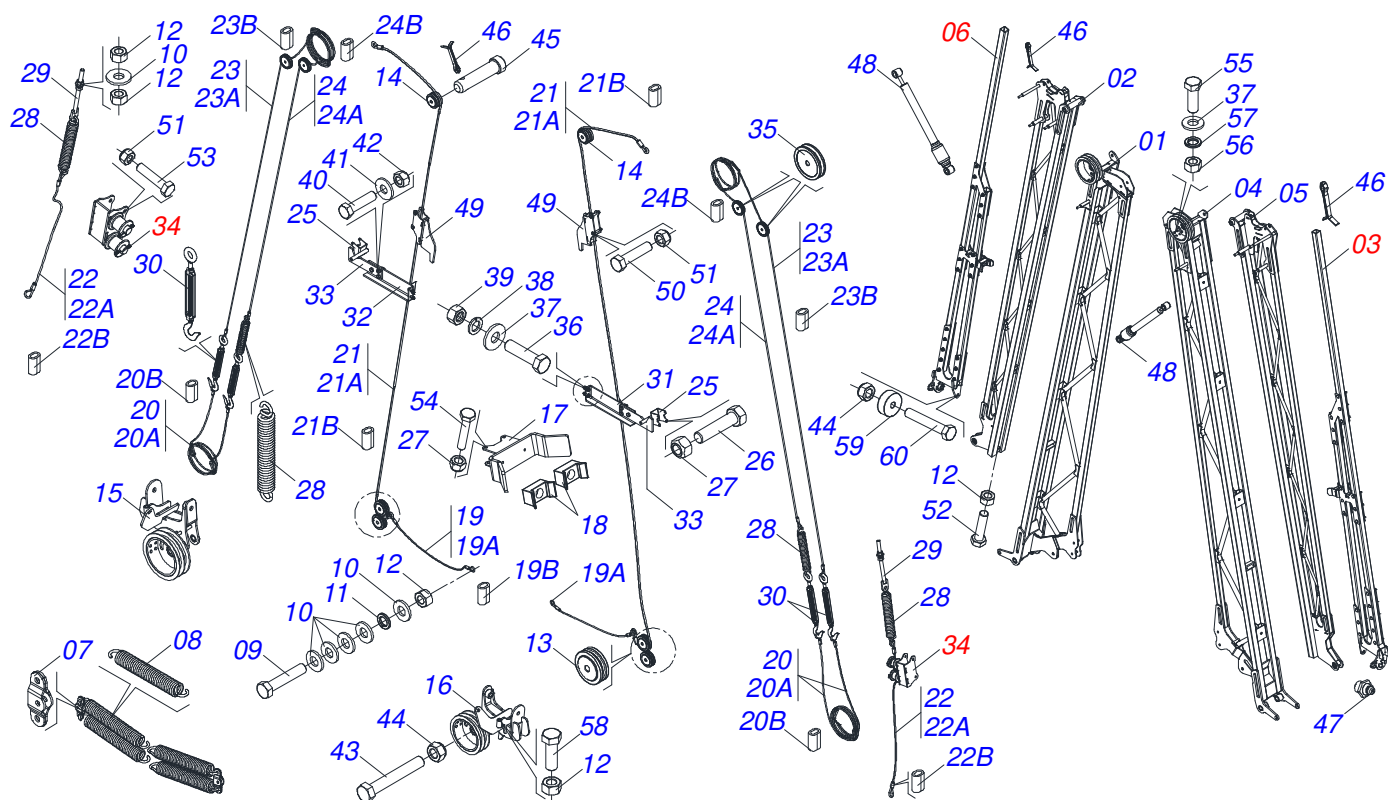
Item	Code	Description	See page	QT
01	0503019653	(SP3-106638) STRAIGHT CONNECTION		01
02	0503019645	(SP3-2002060) NUT TYPE CONNECTION		01
03	0503019651	(592-SPF-016-027) 1.1/2 HOSE CLAMP		04
04	0501413172	SPIRAL HOSE 1.1/2 X 5000 AB -AB		01
05	0513012045	SUPPLY FILTER 1 1/2 CONNECTION MODE		01



Item	Code	Description	See page	QT
01	0503010589	1/2" UNC SELF ADJUSTING NUT		02
02	0501010937	13,50 X 28 X 3,00 FLAT WASHER		02
03	0501413138	FIXING		02
04	0513012769	BOLT 1/2 X 6 UNC CS RT G5 POL ZN		02
05	0501412047	AXE		02
06	0501415754	RESERVOIR SUPPORT 1000		01
07	0503010240	BOLT		10
08	0503010337	NUT 5/16 UNC G.5 ZN		10
09	0503014371	M8 SPRING WASHER		10

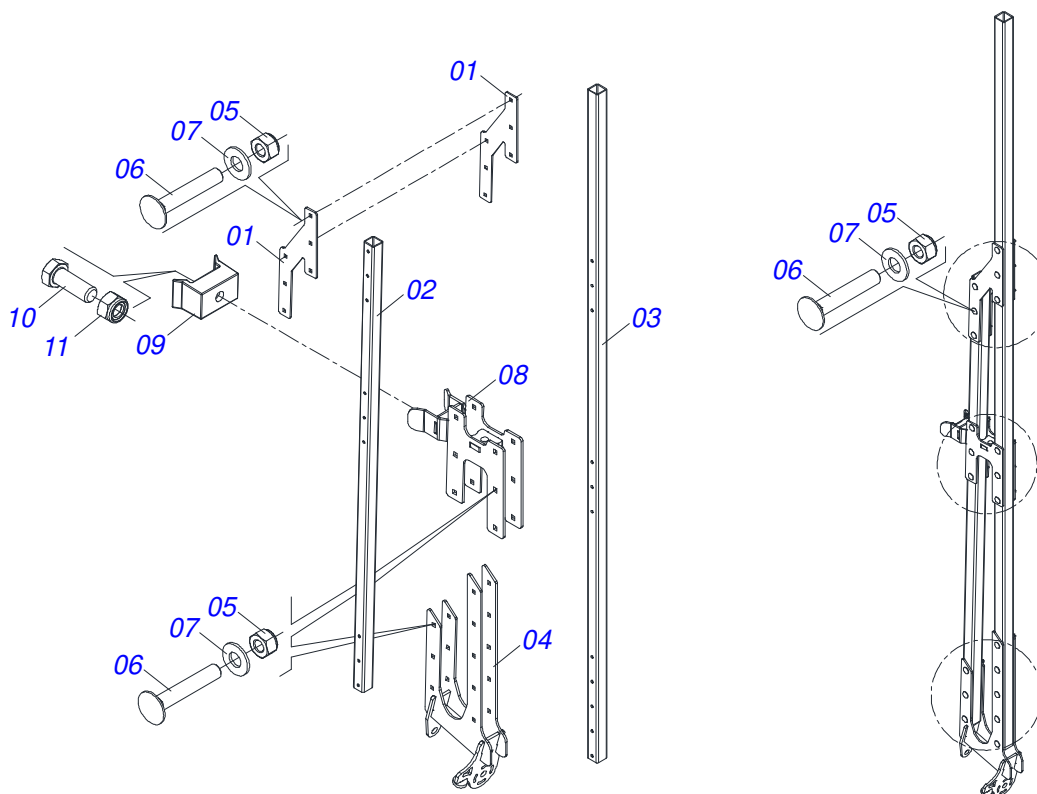


Item	Code	Description	See page	QT
01	0513012043	3/4 THROUGH NUT		01
02	0513012042	SEALING RING 3/4		01
03	0503019013	1000 LITER RESERVOIR WITH CLEAN WATER TANK		01
04	0503036923	FUZION 1000 H20 ADHESIVE LABEL		02
05	0513012189	HOSE SUPPORT		01
06	0513011429	FLAT JOINT 40.0 X 57.5 X 4.0 EPDM		01
07	0513011450	NUT TYPE CONNECTION G1 1/4		01
08	0513012033	CURVED CONNECTION 90 THREAD		01
09	0513012659	FLAT JOINT 21.0 X 33.0 X 2.0		02

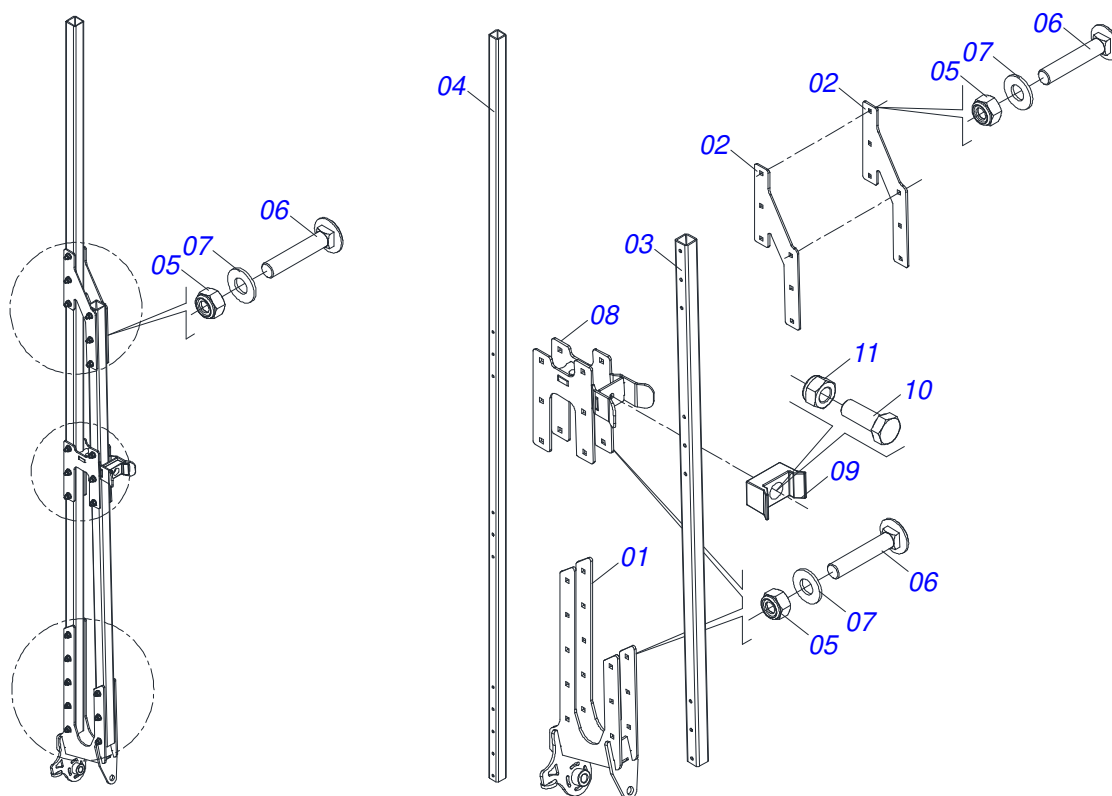


Item	Code	Description	See page	QT
01	0531068325	FIRST SECTION RIGHT SIDEBAR		01
02	0531068434	SECOND SECTION RIGHT SIDEBAR		01
03	0541054461	THIRD SECTION 20M LEFT SIDEBAR	21	01
04	0531068360	FIRST SECTION LEFT SIDEBAR		01
05	0531068477	SECOND SECTION LEFT SIDEBAR		01
06	0541054460	THIRD SEGMENT OF THE SPRAY BOOM 20M RIGHT SIDE		01
07	0531069859	SPRING FIXING SUPPORT		02
08	0503036975	TRACTION SPRING 72 X 490 X 11		04
09	0503011264	1/2" X 2-1/2" BOLT		01
10	0501010937	13,50 X 28 X 3,00 FLAT WASHER		09
11	0503010019	1/2" SPRING WASHER		03
12	0503010060	1/2 UNC G.5 ZN HEX NUT		10
13	0501319235	PULLEY		04
14	0501319232	PULLEY TB40		02
15	0531067796	FIXED SUPPORT LAST BAR		01
16	0531067813	FIXED SUPPORT LAST LEFT SIDE BAR		01
17	0531068051	REST SECOND SECTION		02
18	0513012171	SUPPORT		04
19	0541056385	SPRING SAFETY CABLE 850MM		02
19A	0501416953	GALVANIZED STEEL CABLE 6 X 7 AF E 3/16 4,8 X 1050		01
19B	0513012858	ALUMINUM CLAMP STEEL CABLE PRESS 3/16		02
20	0541056388	STEEL CABLE SECOND SEGMENT 812MM		04
20A	0501416958	GALVANIZED STEEL CABLE 6 X 7 AF E 3/16 4,8 X 1012MM		01
20B	0513012858	ALUMINUM CLAMP STEEL CABLE PRESS 3/16		01
21	0541056386	CABLE FIRST SEGMENT 3400MM		02
21A	0501416956	STEEL CABLE 5/16 X 3600		01
21B	0513012859	5/16 ALUMINUM CLAMP FOR STEEL CABLE		02
22	0541056383	STEEL CABLE THIRD SEGMENT 700MM		02

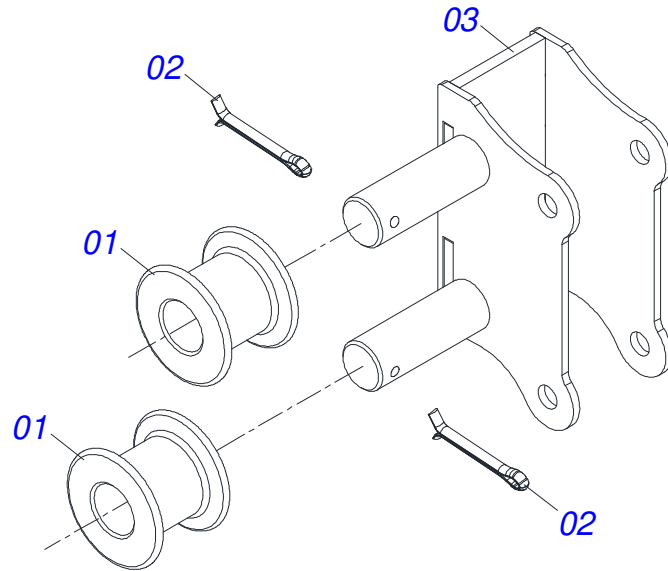
Item	Code	Description	See page	QT
22A	0501416952	GALVANIZED STEEL CABLE 6 X 7 AF E 3/16 4,8 X 90MM		01
22B	0513012858	ALUMINUM CLAMP STEEL CABLE PRESS 3/16		02
23	0541056387	STEEL CABLE FIRST SEGMENT 2721MM		02
23A	0501416957	GALVANIZED STEEL CABLE 6 X 7 AF E 3/16 4,8 X 2921MM		01
23B	0513012858	ALUMINUM CLAMP STEEL CABLE PRESS 3/16		01
24	0541056389	STEEL CABLE FIRST SEGMENT 2421		02
24A	0501416959	GALVANIZED STEEL CABLE 6 X 7 AF E 3/16 4,8 X 2621MM		01
24B	0513012858	ALUMINUM CLAMP STEEL CABLE PRESS 3/16		01
25	0531069714	REGULATOR SUPPORT WITH PIN		02
26	0503011194	BOLT 1/4 UNC X 2.1/2 CS G.2 ZN		04
27	0503014876	NUT PARLOCK 1/4"		08
28	0503036847	TRACTION SPRING 36 X 220 X 6.35		04
29	0531069489	SPRING TENSIONER		02
30	0513012616	STEEL CABLE TENSIONER		04
31	0501416527	LEFT SIDE BAR BEATER SUPPORT		01
32	0501416526	RIGHT SIDE SUPPORT BAR		01
33	0501416549	BAR REGULATOR LOCK		02
34	0541053592	PULLEY SUPPORT	23	02
35	0501314383	PULLEY		04
36	0503011257	M 8 X 1,25 X 30 BOLT		04
37	0501010694	FLAT WASHER 8,50 X 18 X 1,50 ZN		20
38	0503014371	M8 SPRING WASHER		16
39	0503010427	METRIC M8 X P.0.5" NUT		18
40	0503010188	M10 X 1,5 X 30 BOLT		04
41	0501010984	10,50 X 27 X 3,00 FLAT WASHER		04
42	0503011841	M10 SELF ADJUSTING NUT		04
43	0501013867	BOLT 5/8" UNC X 6 CS G.5 ZN		02
44	0503013389	5/8" SELF LOCKING NUT		02
45	0501410336	AXE 11 X 77		02
46	0503010257	1/8" X 1" SPLIT PIN		02
47	0503010002	1800 GREASE FITTING		02
48	0513012646	HYDRAULIC BAR DAMPER		02
49	0531068699	SUPPORT BAR		02
50	0503015149	M8 X 1,25 X 50 BOLT		04
51	0503019913	SELF-LOCKING NUT W/ NYLON M8 X 1.25 C.8 ZN		04
52	0503014735	BOLT 1/2 UNC X 2		02
53	0503015116	M8 X 1,25 X 60 BOLT		04
54	0503010373	SCREW 1/4 UNC X 2 CS G.2 ZN		04
55	0503010363	BOLT 5/16 UNC X 1 C S G.2 ZN		16
56	0503010337	NUT 5/16 UNC G.5 ZN		16
57	0503010179	LOCK WASHER 5/16 ZN 1K01528		16
58	0503030678	BOLT 1/2 UNC X 1.1/2 CSPC G.5 ZN		02
59	0501319234	SLIDING BUSHING		02
60	0503013077	5/8" X 8" BOLT		04



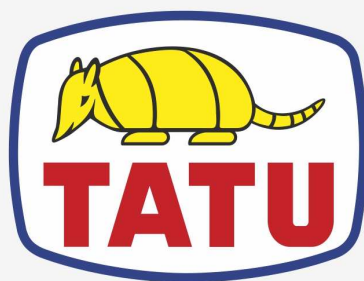
Item	Code	Description	See page	QT
01	0501413124	SUPPORT		02
02	0501413081	TUBE 38 X 38 X 1460 SECTION 3		01
03	0501413085	TUBE 38 X 38 X 2680 SECTION 3		01
04	0531068768	SUPPORT THIRD LEFT SIDE SECTION		01
05	0503019657	HEX LOCK NUT WITH NYLON 5/16		20
06	0503012165	5/16" X 2-1/2" BOLT		20
07	0503012545	FLAT WASHER		20
08	0531068766	CENTRAL FIXING SUPPORT		01
09	0513012171	SUPPORT		01
10	0503010237	3/8" X 1" BOLT		01
11	0503013357	3/8 SELF-ADJUSTING NUT		01



Item	Code	Description	See page	QT
01	0531068769	SUPPORT THIRD RIGHT SIDE SECTION		01
02	0501413124	SUPPORT		02
03	0501413081	TUBE 38 X 38 X 1460 SECTION 3		01
04	0501413085	TUBE 38 X 38 X 2680 SECTION 3		01
05	0503019657	HEX LOCK NUT WITH NYLON 5/16		20
06	0503012165	5/16" X 2-1/2" BOLT		20
07	0503012545	FLAT WASHER		20
08	0531068766	CENTRAL FIXING SUPPORT		01
09	0513012171	SUPPORT		01
10	0503010237	3/8" X 1" BOLT		01
11	0503013357	3/8 SELF-ADJUSTING NUT		01



Item	Code	Description	See page	QT
01	0503030402	PULLEY		02
02	0503010297	5/32" X 1.1/4" SPLIT PIN		02
03	0531068134	SUPPORT		01



MARCHESAN

Technical Publications | Elaboration and Revision

ALESSANDRA PATRICIA KAWAHARA CARRILI

www.marchesan.com.br

