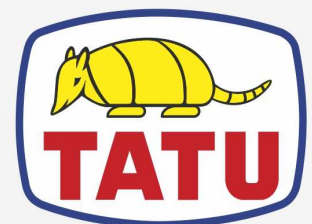


**HIGH SPEED DISK**

**GN SPEEDY MD 3RD POINT 20/24/28/32D**  
**GN SPEEDY MD 3 PONTO 20/24/28/32D**

**Code:** 0501099086  
**Series:** S-0524  
**Revision:** 00  
**Revision Date:** JUNE/2024

# **PARTS CATALOGUE**



**MARCHESAN**



# PRODUCTS

Code	Working Width	Description
0102610077		GN SPEEDY MD 3 PONTO 20 X 20 X 6 MTCP RD S-0524
0102610078		GN SPEEDY MD 3 PONTO 24 X 20 X 6 MTCP RD S-0524
0102610079		GN SPEEDY MD 3 PONTO 28 X 20 X 6 MTCP RD S-0524
0102610080		GN SPEEDY MD 3 PONTO 32 X 20 X 6 MTCP RD S-0524

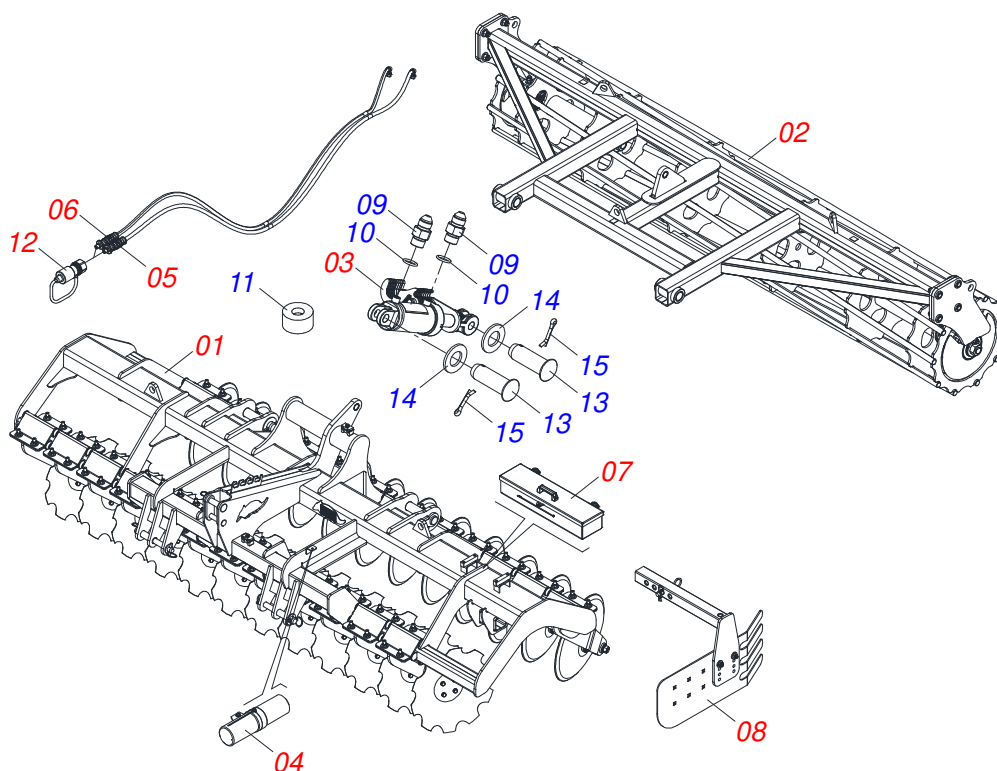
## ATTENTION: IMPORTANT

Marchesan S.A. reserves the right to improve and/or modify the technical features of its products, without obligation to do the same with those products already sold and without prior knowledge of the dealer or the customer. The photos are only illustrative.

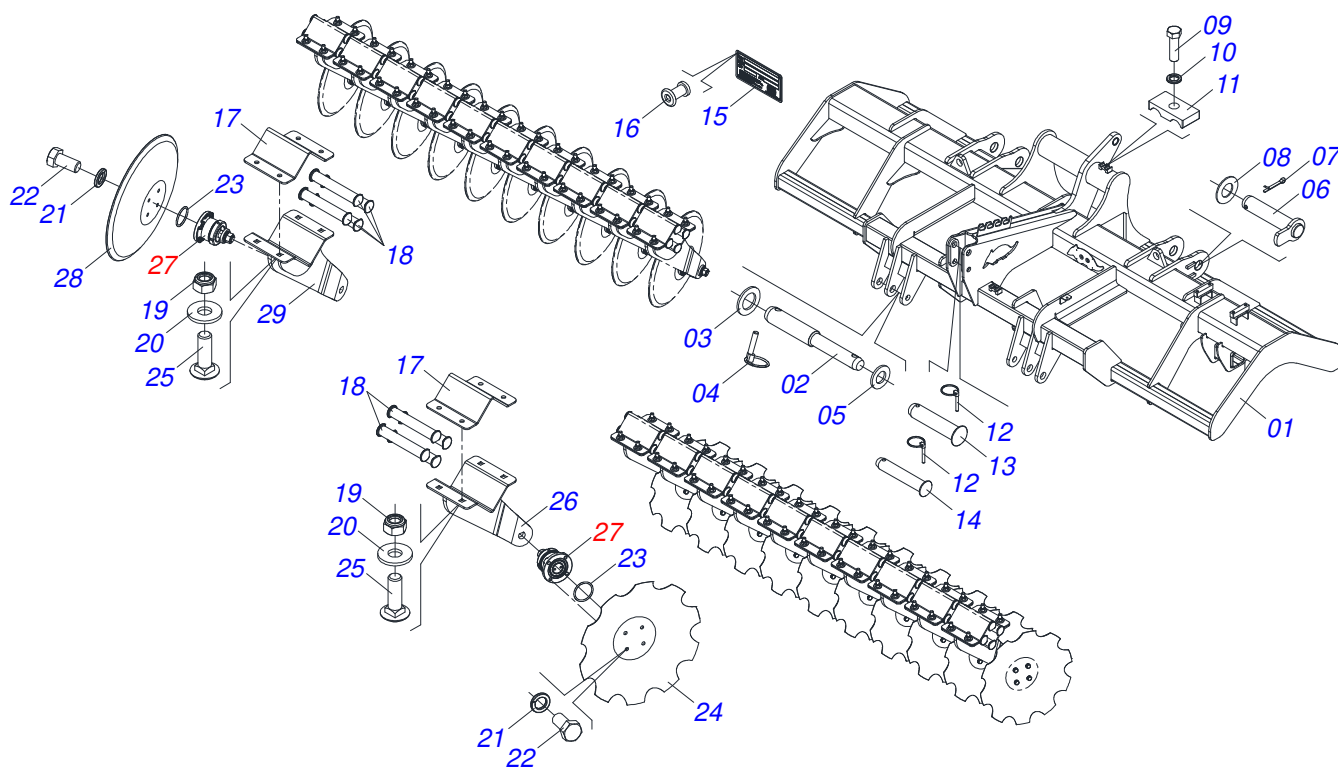


# INDEX

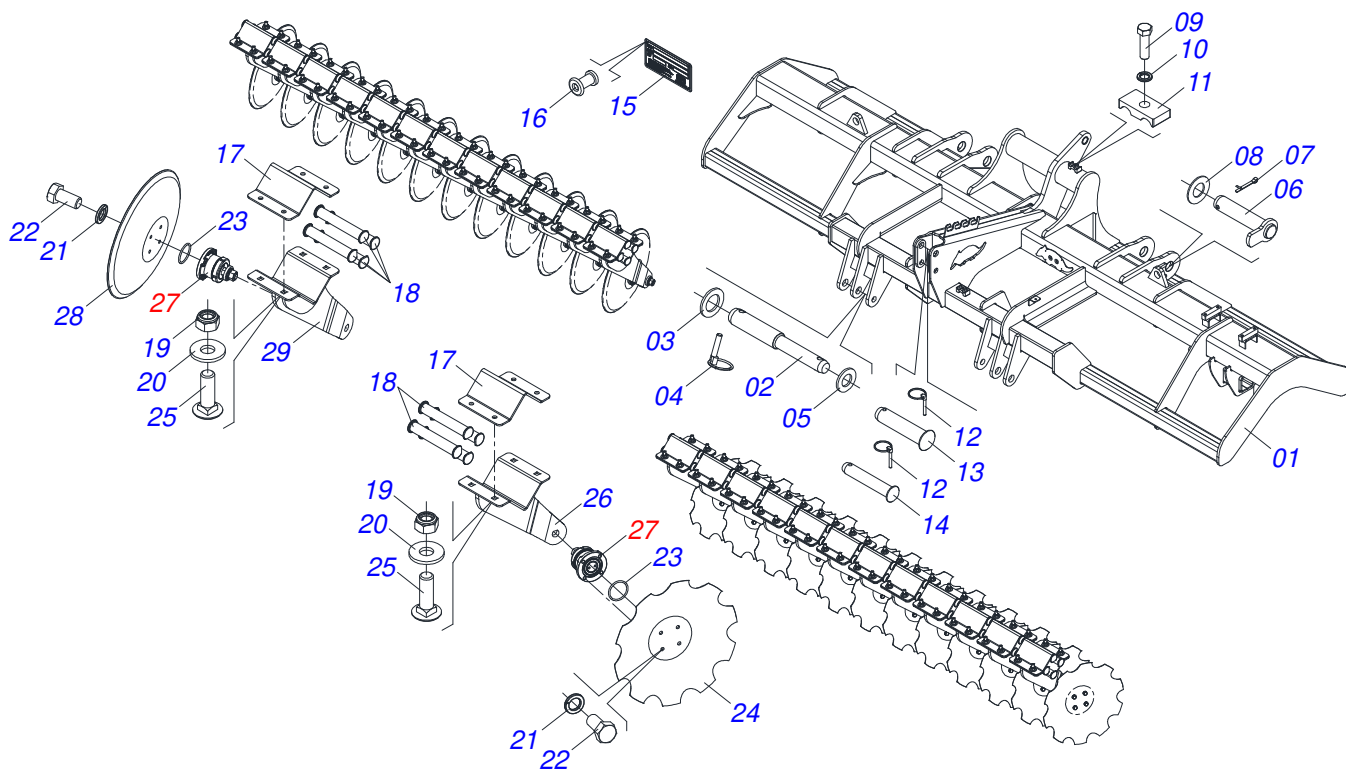
0909097274	GN SPEEDY MD 3RD POINT - 20/24/28/32D	.....	1
0531045798	FRAME ASSY - 20D	.....	2
0531045799	FRAME ASSY - 24D	.....	3
0531045796	FRAME ASSY - 28D	.....	4
0531045797	FRAME ASSY - 32D	.....	5
0531058996	DISC FIXATION HUB ASSEMBLY	.....	6
0531045928	118" CAGE ROLLER ASSY	.....	7
0531044739	138" CAGE ROLLER ASSY	.....	8
0521047536	158" CAGE ROLLER ASSY	.....	9
0531045436	178" CAGE ROLLER ASSY	.....	10
0521047185	SWIVEL OIL BATH BEARING 192.5 X 1.1 / 2	.....	11
0521050838	SWIVEL OIL BATH BEARING 192.5 X 1.1 / 2	.....	12
0531042472	ROLLER SIDE CLOSURE SET	.....	13
0531040071	HYDRAULIC CYLINDER 50,80 X 101,60 X 430 X 115	.....	14
0541054466	MANUAL CANISTER ASSY	.....	15
0541054739	3/8" X 107.90" TC-TM GRAY/BLUE HOSE	.....	16
0541054740	3/8" X 92.90" TC-TM GRAY/RED HOSE	.....	17
0531042272	TOOL BOX ASSY	.....	18
0531054500	TOOL BOX	.....	19
0531041636	LIGHT SIDEBOARD ASSY	.....	20
0531051662	PIN QUICK HITCH	.....	21



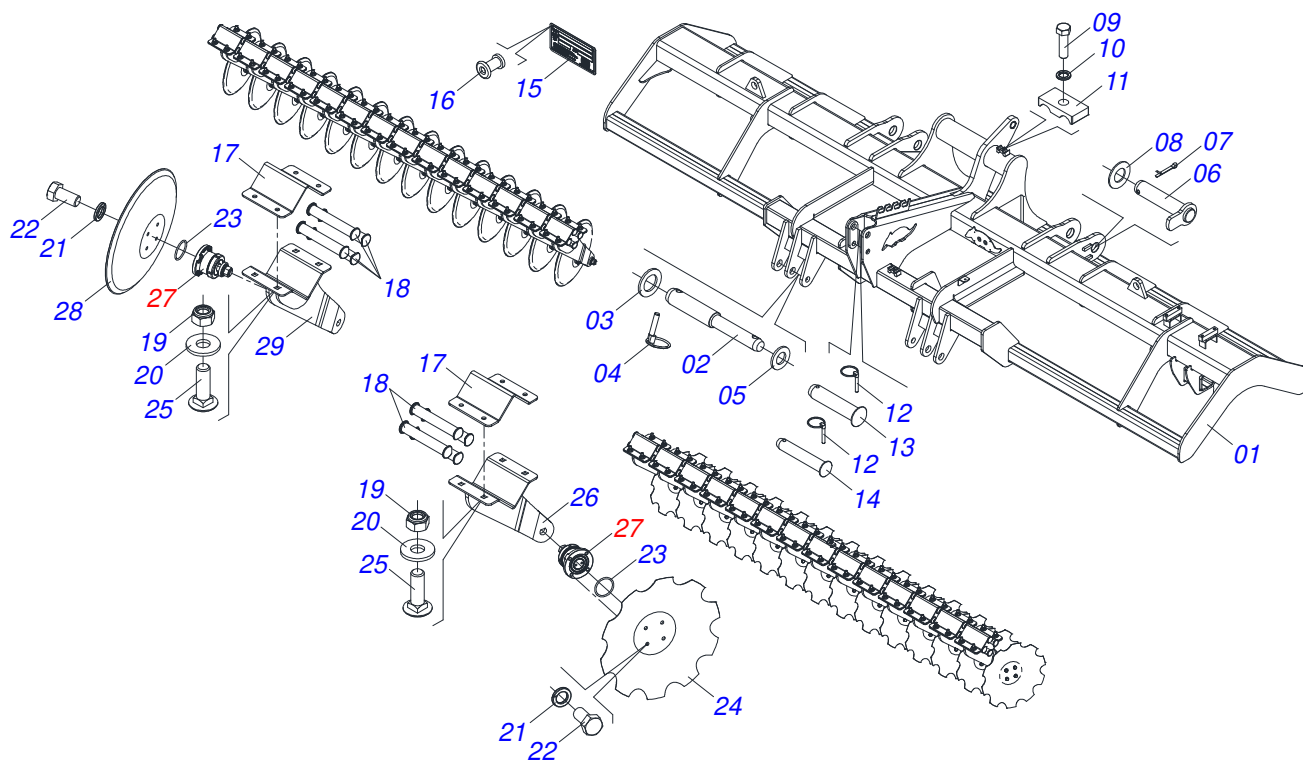
Item	Code	Description	See page	20	24	28	32
01	0531045798	FRAME ASSY - 20D	2	01	00	00	00
01.	0531045799	FRAME ASSY - 24D	3	00	01	00	00
01..	0531045796	FRAME ASSY - 28D	4	00	00	01	00
01...	0531045797	FRAME ASSY - 32D	5	00	00	00	01
02	0531045928	118" CAGE ROLLER ASSY	7	01	00	00	00
02.	0531044739	138" CAGE ROLLER ASSY	8	00	01	00	00
02..	0521047536	158" CAGE ROLLER ASSY	9	00	00	01	00
02...	0531045436	178" CAGE ROLLER ASSY	10	00	00	00	01
03	0531040071	HYDRAULIC CYLINDER 50,80 X 101,60 X 430 X 115	14	01	01	01	01
04	0541054466	MANUAL CANISTER ASSY	15	01	01	01	01
05	0541054739	3/8" X 107.90" TC-TM GRAY/BLUE HOSE	16	01	01	01	01
06	0541054740	3/8" X 92.90" TC-TM GRAY/RED HOSE	17	01	01	01	01
07	0531042272	TOOL BOX ASSY	18	01	01	01	01
08	0531041636	LIGHT SIDEBOARD ASSY	20	01	01	01	01
09	0501010617	NIPLE 3/4" NF X 3/4" NF HEX. 7/8" X 44		02	02	02	02
10	0503010190	2-114 N 3006-9B O'RING		02	02	02	02
11	0503013171	SEALING 1/2" X 10M 1J51066		01	01	01	01
12	0531051662	PIN QUICK HITCH	21	02	02	02	02
13	0521010779	31.75 X 95 COUPLING SHAFT		02	02	02	02
14	0501017779	FLAT WASHER 32 X 60 X 4,75		02	02	02	02
15	0503010523	1/4 X 2 SPLIT PIN		02	02	02	02



Item	Code	Description	See page	QT
01	0531068415	FRAME - 20D		01
02	0541015542	1.1/8" HITCH AXLE		02
03	0501012916	FLAT WASHER 40 X 66 X 4,75 ZN		02
04	0503030430	7/16 X 2" PIN LOCK		04
05	0511017480	FLAT WASHER		02
06	0531060468	JUNCTION AXLE 226 (HOLE 206)		02
07	0503010073	3/8" X 3.1/2" SPLIT PIN		02
08	0591010852	52 X 100 X 4.75 FLAT WASHER		02
09	0503011135	BOLT 7/16" UNC X 1.1/2" C S G.5 ZN		02
10	0503010180	7/16" SPRING WASHER		02
11	1902010477	UPPER CLAMP BODY		02
12	0503030085	LOCK PIN		02
13	0521012536	COUPLING SHAFT		01
14	0521012533	COUPLING SHAFT		01
15	0503034003	61 X 118 SERIAL NUMBER TAG		01
16	0503010001	RIVET 3,2 X 5,5		04
17	0591018079	UPPER FIXER ARM DISC		20
18	0503034940	RUBBER TORSION		80
19	0503013389	5/8" SELF LOCKING NUT		80
20	0501012140	FLAT WASHER 16,50 X 40 X 4,00 ZN		80
21	0503010019	1/2" SPRING WASHER		80
22	0503013232	BOLT 1/2 UNF X 1 C S G.5 ZN		80
23	0503019460	O' RING, 2-335 N 3006-9B		20
24	0611022015	FLAT CENTER DISC C7" 20X6 (NOTCHED)		10
25	0503012699	BOLT 5/8NC X 2 CAPQ G.5 ZN 1K20548		80
26	0531063933	LIGHT FRONT DISC ARM		10
27	0531058996	DISC FIXATION HUB ASSEMBLY	6	20
28	0610023513	FLAT CENTER DISC C7" 20X6 (PLAIN)		10
29	0531063935	LIGHT REAR DISC ARM		10

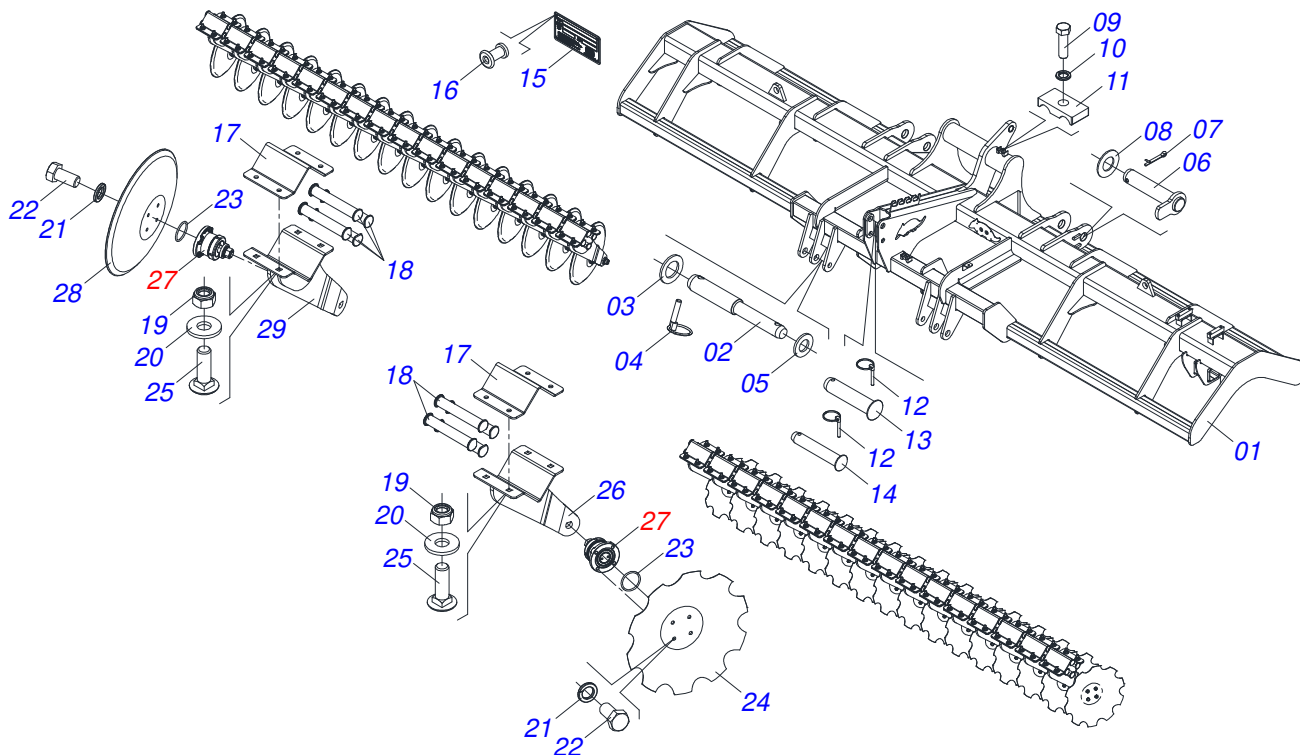


Item	Code	Description	See page	QT
01	0531068416	FRAME - 24D		01
02	0541015542	1.1/8" HITCH AXLE		02
03	0501012916	FLAT WASHER 40 X 66 X 4,75 ZN		02
04	0503030430	7/16 X 2" PIN LOCK		04
05	0511017480	FLAT WASHER		02
06	0531060468	JUNCTION AXLE 226 (HOLE 206)		02
07	0503010073	3/8" X 3.1/2" SPLIT PIN		02
08	0591010852	52 X 100 X 4.75 FLAT WASHER		02
09	0503011135	BOLT 7/16" UNC X 1.1/2" C S G.5 ZN		02
10	0503010180	7/16" SPRING WASHER		02
11	1902010477	UPPER CLAMP BODY		02
12	0503030085	LOCK PIN		02
13	0521012536	COUPLING SHAFT		01
14	0521012533	COUPLING SHAFT		01
15	0503034003	61 X 118 SERIAL NUMBER TAG		01
16	0503010001	RIVET 3,2 X 5,5		04
17	0591018079	UPPER FIXER ARM DISC		24
18	0503034940	RUBBER TORSION		96
19	0503013389	5/8" SELF LOCKING NUT		96
20	0501012140	FLAT WASHER 16,50 X 40 X 4,00 ZN		96
21	0503010019	1/2" SPRING WASHER		96
22	0503013232	BOLT 1/2 UNF X 1 C S G.5 ZN		96
23	0503019460	O' RING, 2-335 N 3006-9B		24
24	0611022015	FLAT CENTER DISC C7" 20X6 (NOTCHED)		12
25	0503012699	BOLT 5/8NC X 2 CAPQ G.5 ZN 1K20548		96
26	0531063933	LIGHT FRONT DISC ARM		12
27	0531058996	DISC FIXATION HUB ASSEMBLY	6	24
28	0610023513	FLAT CENTER DISC C7" 20X6 (PLAIN)		12
29	0531063935	LIGHT REAR DISC ARM		12



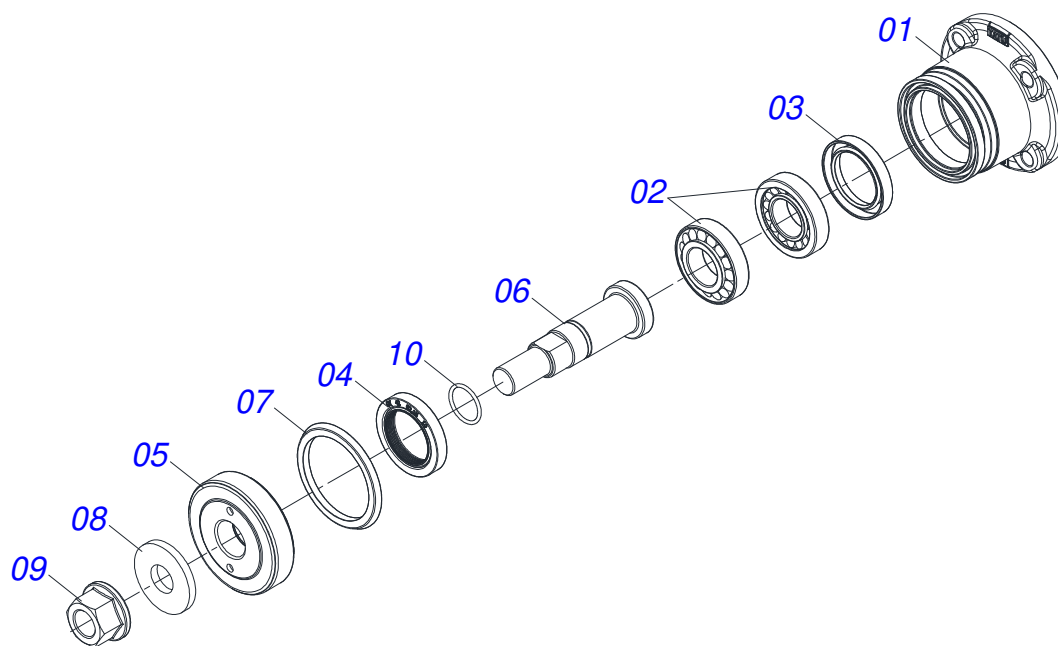
Item	Code	Description	See page	QT
01	0531068417	FRAME - 28D		001
02	0541015542	1.1/8" HITCH AXLE		002
03	0501012916	FLAT WASHER 40 X 66 X 4,75 ZN		002
04	0503030430	7/16 X 2" PIN LOCK		004
05	0511017480	FLAT WASHER		002
06	0531060468	JUNCTION AXLE 226 (HOLE 206)		002
07	0503010073	3/8" X 3.1/2" SPLIT PIN		002
08	0591010852	52 X 100 X 4.75 FLAT WASHER		002
09	0503011135	BOLT 7/16" UNC X 1.1/2" C S G.5 ZN		002
10	0503010180	7/16" SPRING WASHER		002
11	1902010477	UPPER CLAMP BODY		002
12	0503030085	LOCK PIN		002
13	0521012536	COUPLING SHAFT		001
14	0521012533	COUPLING SHAFT		001
15	0503034003	61 X 118 SERIAL NUMBER TAG		001
16	0503010001	RIVET 3,2 X 5,5		004
17	0591018079	UPPER FIXER ARM DISC		028
18	0503034940	RUBBER TORSION		112
19	0503013389	5/8" SELF LOCKING NUT		112
20	0501012140	FLAT WASHER 16,50 X 40 X 4,00 ZN		112
21	0503010019	1/2" SPRING WASHER		112
22	0503013232	BOLT 1/2 UNF X 1 C S G.5 ZN		112
23	0503019460	O' RING, 2-335 N 3006-9B		028
24	0611022015	FLAT CENTER DISC C7" 20X6 (NOTCHED)		014
25	0503012699	BOLT 5/8NC X 2 CAPQ G.5 ZN 1K20548		112
26	0531063933	LIGHT FRONT DISC ARM		014
27	0531058996	DISC FIXATION HUB ASSEMBLY	6	028
28	0610023513	FLAT CENTER DISC C7" 20X6 (PLAIN)		014
29	0531063935	LIGHT REAR DISC ARM		014



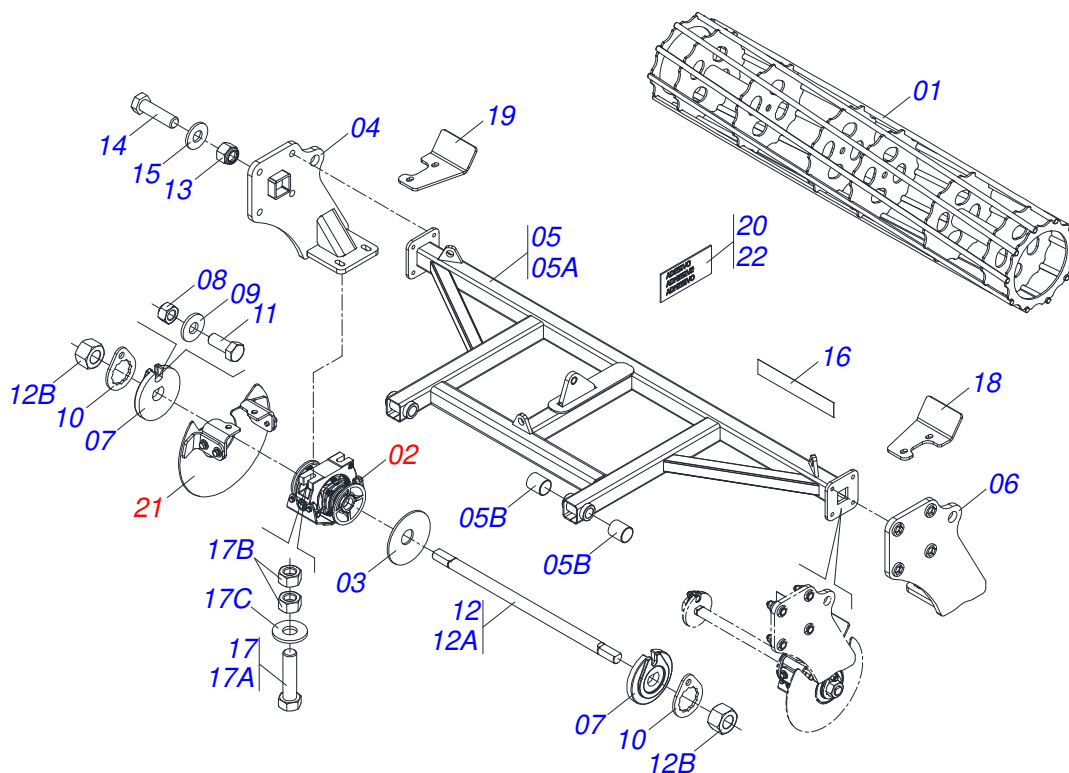


Item	Code	Description	See page	QT
01	0531068418	FRAME - 32D		001
02	0541015542	1.1/8" HITCH AXLE		002
03	0501012916	FLAT WASHER 40 X 66 X 4,75 ZN		002
04	0503030430	7/16 X 2" PIN LOCK		004
05	0511017480	FLAT WASHER		002
06	0531060468	JUNCTION AXLE 226 (HOLE 206)		002
07	0503010073	3/8" X 3.1/2" SPLIT PIN		002
08	0591010852	52 X 100 X 4.75 FLAT WASHER		002
09	0503011135	BOLT 7/16" UNC X 1.1/2" C S G.5 ZN		002
10	0503010180	7/16" SPRING WASHER		002
11	1902010477	UPPER CLAMP BODY		002
12	0503030085	LOCK PIN		002
13	0521012536	COUPLING SHAFT		001
14	0521012533	COUPLING SHAFT		001
15	0503034003	61 X 118 SERIAL NUMBER TAG		001
16	0503010001	RIVET 3,2 X 5,5		004
17	0591018079	UPPER FIXER ARM DISC		032
18	0503034940	RUBBER TORSION		128
19	0503013389	5/8" SELF LOCKING NUT		128
20	0501012140	FLAT WASHER 16,50 X 40 X 4,00 ZN		128
21	0503010019	1/2" SPRING WASHER		128
22	0503013232	BOLT 1/2 UNF X 1 C S G.5 ZN		128
23	0503019460	O' RING, 2-335 N 3006-9B		032
24	0611022015	FLAT CENTER DISC C7" 20X6 (NOTCHED)		016
25	0503012699	BOLT 5/8NC X 2 CAPQ G.5 ZN 1K20548		128
26	0531063933	LIGHT FRONT DISC ARM		016
27	0531058996	DISC FIXATION HUB ASSEMBLY	6	032
28	0610023513	FLAT CENTER DISC C7" 20X6 (PLAIN)		016
29	0531063935	LIGHT REAR DISC ARM		016

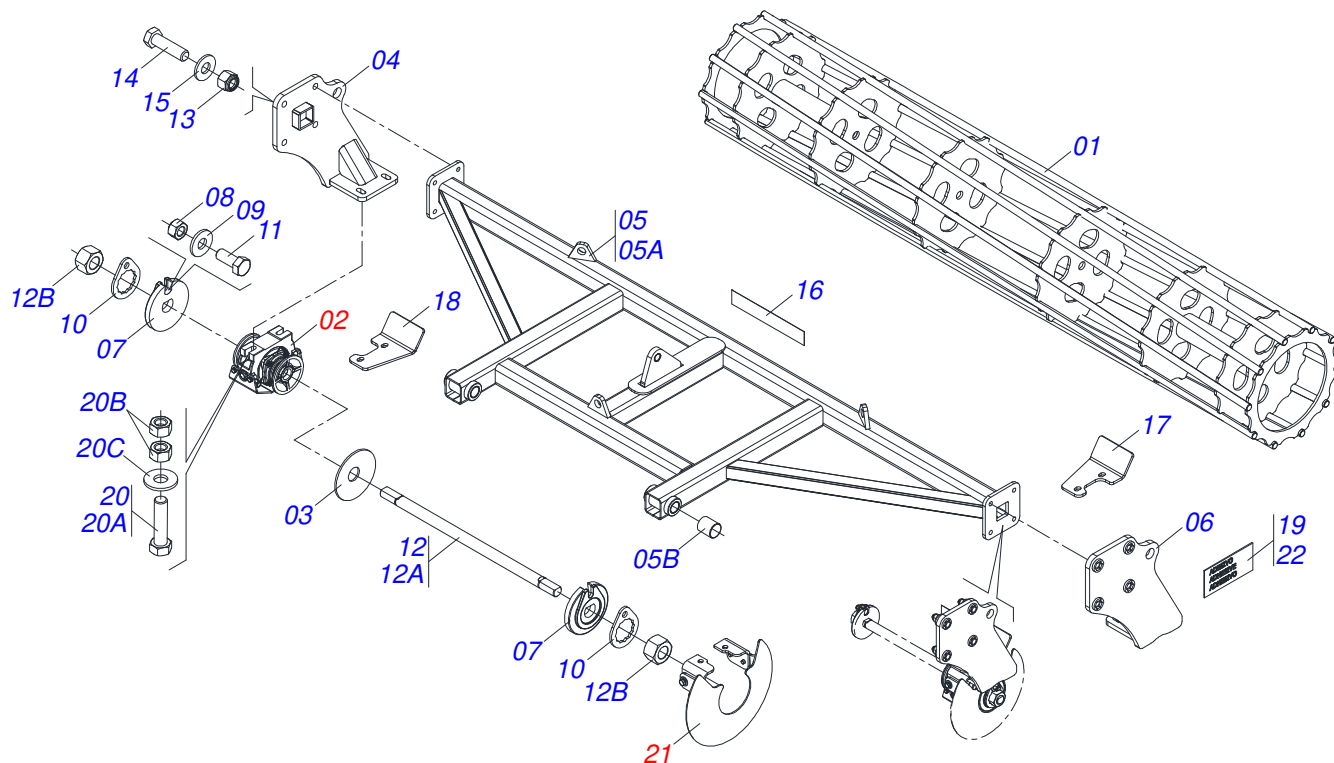




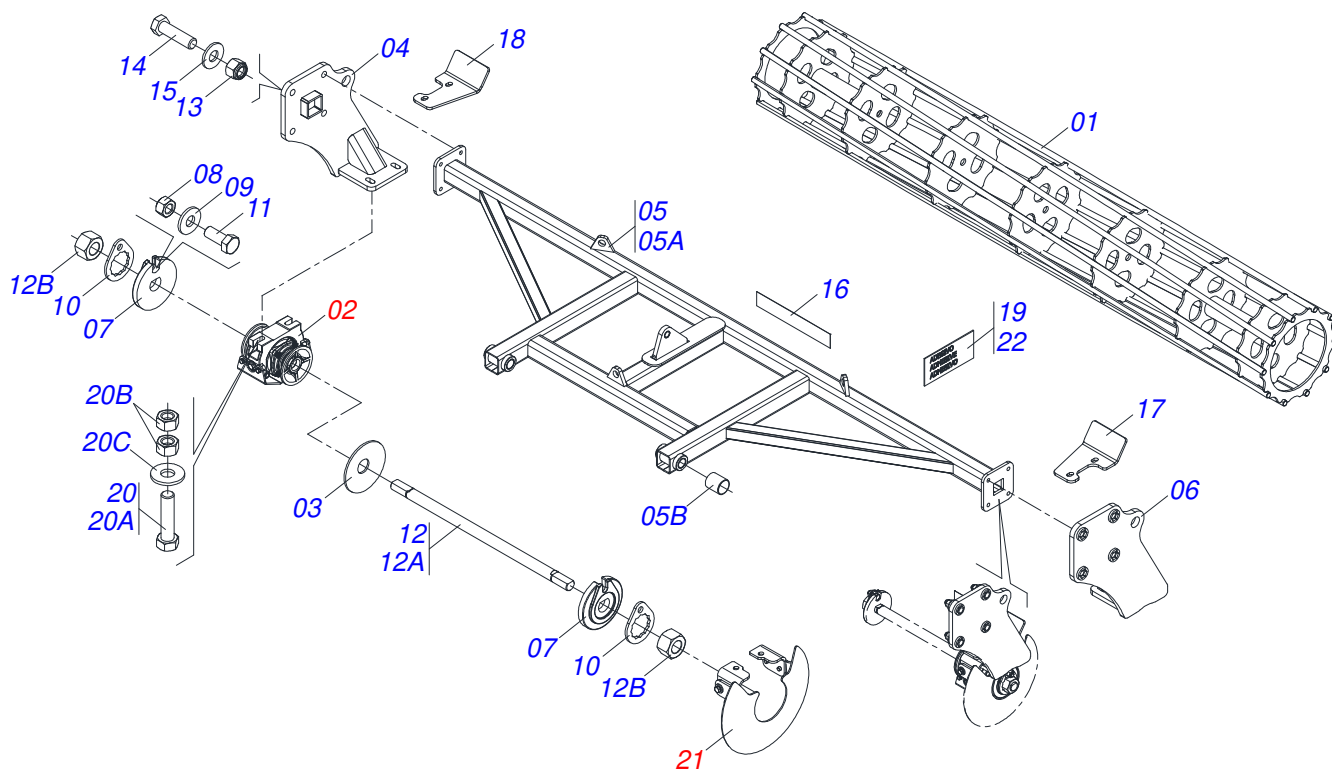
Item	Code	Description	See page	QT
01	0502040884	HOUSING		01
02	0503011290	30206 BEARING		02
03	0503012106	SEAL RETAINER 00521-BR		01
04	0513010329	SEAL RETAINER AX 0252 42 X 62,15 X 10 AX0252		01
05	0501219806	CAP WASHER R M30 X 1,50 X 90 X 22,00		01
06	0501219822	BOLD SPINDLE 21-45FT		01
07	0513011321	POLYURETHANE GUARD		01
08	0501211999	FLAT WASHER 22,50 X 56 X 6,30 ZN		01
09	0503035788	FLANGE HEXAGONAL NUT 7/8 UNF HIGH G.8 ZN		01
10	0513011322	O' RING		01



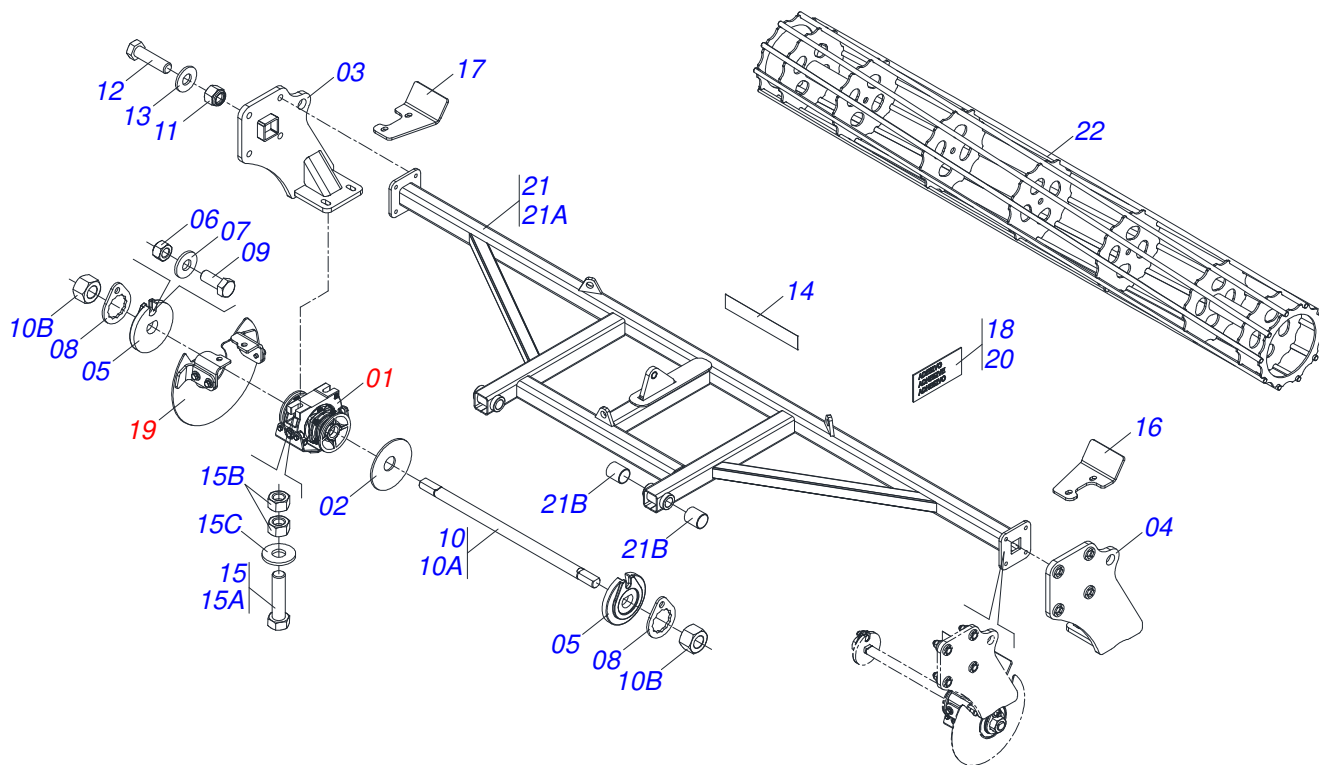
Item	Code	Description	See page	QT
01	0531065850	114" CAGE ROLLER - 44D		01
02	0521047185	SWIVEL OIL BATH BEARING 192.5 X 1.1 / 2	11	02
03	0591011824	39.5 X 140 X 4.75 CONCAVE WASHER		02
04	0531060413	CAGE ROLLER RIGHT HAND HANGER 25-45FT		01
05	0541054742	116" CAGE ROLLER SUPPORT WITH BUSHINGS		01
05A	0531069008	116" CAGE ROLLER SUPPORT		01
05B	0503019271	SELF LUBRICATING BUSHING		04
06	0531060412	CAGE ROLLER LEFT HAND HANGER 25-45FT		01
07	0502010871	EXTERNAL AXLE WASHER 1.1/2"		04
08	0503012412	5/8" UNC SELF LOCKING NUT		04
09	0501012140	FLAT WASHER 16,50 X 40 X 4,00 ZN		04
10	0501018592	1.5/8 HEX 60,0/60,2 LOCK NUT		04
11	0503011267	BOLT 5/8" UNC X 1.1/2 C S G.5 ZN		04
12	0501043705	AXLE ASSY WITH NUT 1.1/2" 6FPP X 810		02
12A	0511010766	1.1/2" X 810 AXLE ASSY		01
12B	0501010110	1.1/2 NC 6FPP 2.3/8 HEXAGONAL NUT		02
13	0503010152	3/4" SELF LOCKING NUT		08
14	0503017855	BOLT 3/4" UNF 2.3/4 CS G.5 ZN		08
15	0501010104	FLAT WASHER 45 X 20 X 4		08
16	0503013229	REFLECTIVE SIDE BAND		01
17	0531043702	SCREW SET 5/8 UNC X 3.1/2 G.8		04
17A	0513010958	SCREW 5/8 UNC X 3.1/2 C S G.8 ZN		01
17B	0513010204	HEX NUT 5/8 UNC G.8 ZN		02
17C	0501012140	FLAT WASHER 16,50 X 40 X 4,00 ZN		01
18	0591018787	LEFT SCRAPER (287 X 230)		01
19	0591018786	RIGHT SCRAPER (287 X 230)		01
20	0503032930	DANGER DECAL		02
21	0531042472	ROLLER SIDE CLOSURE SET	13	02
22	0503034078	LIFTING POINTS DECAL		03



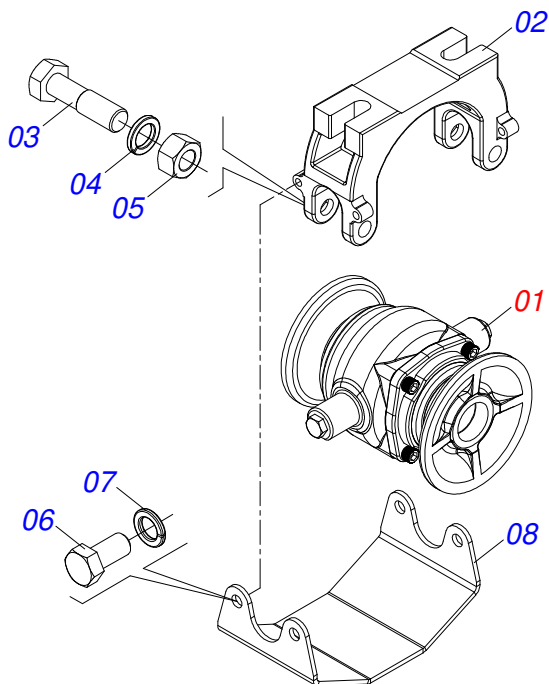
Item	Code	Description	See page	QT
01	0531065908	134" CAGE ROLLER - 56D		01
02	0521047185	SWIVEL OIL BATH BEARING 192.5 X 1.1 / 2	11	02
03	0591011824	39.5 X 140 X 4.75 CONCAVE WASHER		02
04	0531060413	CAGE ROLLER RIGHT HAND HANGER 25-45FT		01
05	0531059225	136" CAGE ROLLER SUPPORT WITH BUSHING 56D		01
05A	0531065909	136" CAGE ROLLER SUPPORT 52D		01
05B	0503019271	SELF LUBRICATING BUSHING		04
06	0531060412	CAGE ROLLER LEFT HAND HANGER 25-45FT		01
07	0502010871	EXTERNAL AXLE WASHER 1.1/2"		04
08	0503012412	5/8" UNC SELF LOCKING NUT		04
09	0501012140	FLAT WASHER 16,50 X 40 X 4,00 ZN		04
10	0501018592	1.5/8 HEX 60,0/60,2 LOCK NUT		04
11	0503011267	BOLT 5/8" UNC X 1.1/2 C S G.5 ZN		04
12	0501043705	AXLE ASSY WITH NUT 1.1/2" 6FPP X 810		02
12A	0511010766	1.1/2" X 810 AXLE ASSY		01
12B	0501010110	1.1/2 NC 6FPP 2.3/8 HEXAGONAL NUT		02
13	0503010152	3/4" SELF LOCKING NUT		08
14	0503017855	BOLT 3/4" UNF 2.3/4 CS G.5 ZN		08
15	0501010104	FLAT WASHER 45 X 20 X 4		08
16	0503013229	REFLECTIVE SIDE BAND		01
17	0591018787	LEFT SCRAPER (287 X 230)		01
18	0591018786	RIGHT SCRAPER (287 X 230)		01
19	0503032930	DANGER DECAL		02
20	0531043702	SCREW SET 5/8 UNC X 3.1/2 G.8		04
20A	0513010958	SCREW 5/8 UNC X 3.1/2 C S G.8 ZN		01
20B	0513010204	HEX NUT 5/8 UNC G.8 ZN		02
20C	0501012140	FLAT WASHER 16,50 X 40 X 4,00 ZN		01
21	0531042472	ROLLER SIDE CLOSURE SET	13	02
22	0503034078	LIFTING POINTS DECAL		03



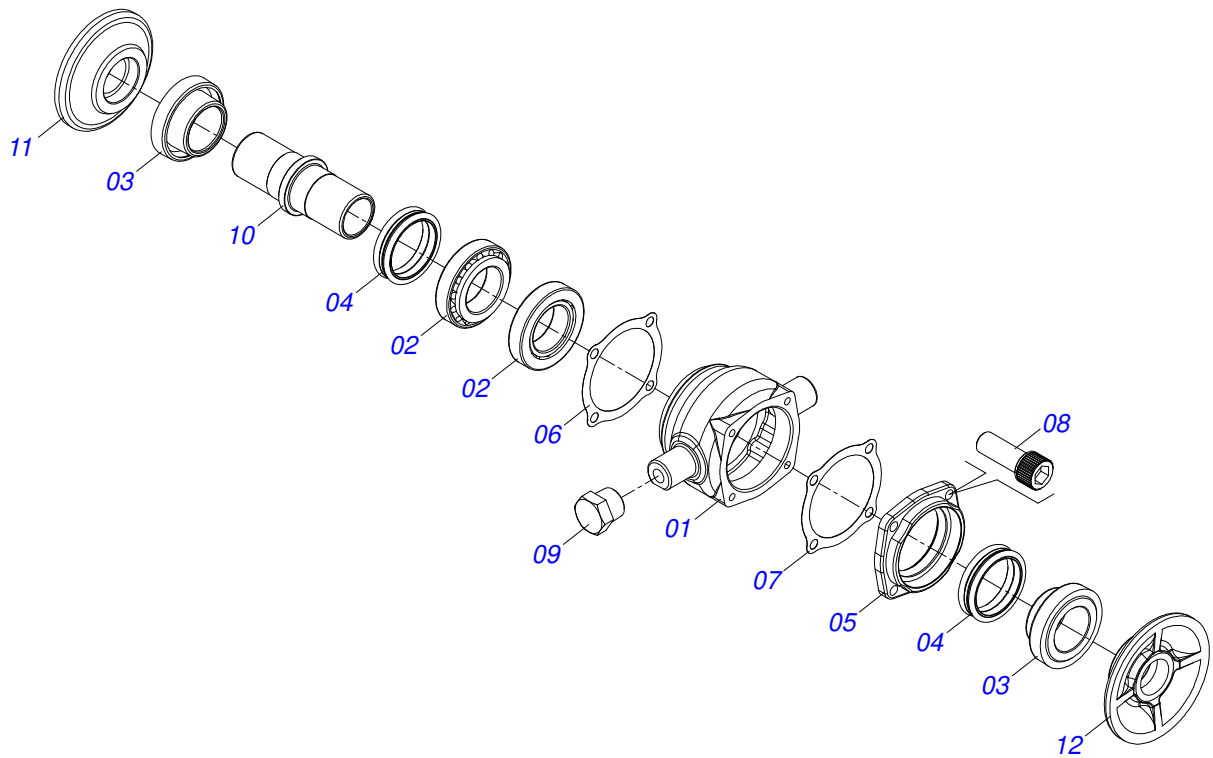
Item	Code	Description	See page	QT
01	0531062976	154" CAGE ROLLER - 48D		01
02	0521047185	SWIVEL OIL BATH BEARING 192.5 X 1.1 / 2	11	02
03	0591011824	39.5 X 140 X 4.75 CONCAVE WASHER		02
04	0531060413	CAGE ROLLER RIGHT HAND HANGER 25-45FT		01
05	0531052967	156" CAGE ROLLER SUPPORT WITH BUSHING 48D		01
05A	0531062975	156" CAGE ROLLER SUPPORT 48D		01
05B	0503019271	SELF LUBRICATING BUSHING		04
06	0531060412	CAGE ROLLER LEFT HAND HANGER 25-45FT		01
07	0502010871	EXTERNAL AXLE WASHER 1.1/2"		04
08	0503012412	5/8" UNC SELF LOCKING NUT		04
09	0501012140	FLAT WASHER 16,50 X 40 X 4,00 ZN		04
10	0501018592	1.5/8 HEX 60,0/60,2 LOCK NUT		04
11	0503011267	BOLT 5/8" UNC X 1.1/2 C S G.5 ZN		04
12	0501043705	AXLE ASSY WITH NUT 1.1/2" 6FPP X 810		02
12A	0511010766	1.1/2" X 810 AXLE ASSY		01
12B	0501010110	1.1/2 NC 6FPP 2.3/8 HEXAGONAL NUT		02
13	0503010152	3/4" SELF LOCKING NUT		08
14	0503017855	BOLT 3/4" UNF 2.3/4 CS G.5 ZN		08
15	0501010104	FLAT WASHER 45 X 20 X 4		08
16	0503013229	REFLECTIVE SIDE BAND		01
17	0591018787	LEFT SCRAPER (287 X 230)		01
18	0591018786	RIGHT SCRAPER (287 X 230)		01
19	0503032930	DANGER DECAL		02
20	0531043702	SCREW SET 5/8 UNC X 3.1/2 G.8		04
20A	0513010958	SCREW 5/8 UNC X 3.1/2 C S G.8 ZN		01
20B	0513010204	HEX NUT 5/8 UNC G.8 ZN		02
20C	0501012140	FLAT WASHER 16,50 X 40 X 4,00 ZN		01
21	0531042472	ROLLER SIDE CLOSURE SET	13	02
22	0503034078	LIFTING POINTS DECAL		03



Item	Code	Description	See page	QT
01	0521047185	SWIVEL OIL BATH BEARING 192.5 X 1.1 / 2	11	02
02	0591011824	39.5 X 140 X 4.75 CONCAVE WASHER		02
03	0531060413	CAGE ROLLER RIGHT HAND HANGER 25-45FT		01
04	0531060412	CAGE ROLLER LEFT HAND HANGER 25-45FT		01
05	0502010871	EXTERNAL AXLE WASHER 1.1/2"		04
06	0503012412	5/8" UNC SELF LOCKING NUT		04
07	0501012140	FLAT WASHER 16,50 X 40 X 4,00 ZN		04
08	0501018592	1.5/8 HEX 60,0/60,2 LOCK NUT		04
09	0503011267	BOLT 5/8" UNC X 1.1/2" C S G.5 ZN		04
10	0501043705	AXLE ASSY WITH NUT 1.1/2" 6FPP X 810		02
10A	0511010766	1.1/2" X 810 AXLE ASSY		01
10B	0501010110	1.1/2" NC 6FPP 2.3/8 HEXAGONAL NUT		02
11	0503010152	3/4" SELF LOCKING NUT		08
12	0503017855	BOLT 3/4" UNF 2.3/4 CS G.5 ZN		08
13	0501010104	FLAT WASHER 45 X 20 X 4		08
14	0503013229	REFLECTIVE SIDE BAND		01
15	0531043702	SCREW SET 5/8 UNC X 3.1/2 G.8		04
15A	0513010958	SCREW 5/8 UNC X 3.1/2 C S G.8 ZN		01
15B	0513010204	HEX NUT 5/8 UNC G.8 ZN		02
15C	0501012140	FLAT WASHER 16,50 X 40 X 4,00 ZN		01
16	0591018787	LEFT SCRAPER (287 X 230)		01
17	0591018786	RIGHT SCRAPER (287 X 230)		01
18	0503032930	DANGER DECAL		02
19	0531042472	ROLLER SIDE CLOSURE SET	13	02
20	0503034078	LIFTING POINTS DECAL		03
21	0541053919	176" CAGE ROLLER SUPPORT WITH BUSHINGS		01
21A	0531068413	176" CAGE ROLLER SUPPORT		01
21B	0503019271	SELF LUBRICATING BUSHING		04
22	0531068412	174" CAGE ROLLER		01

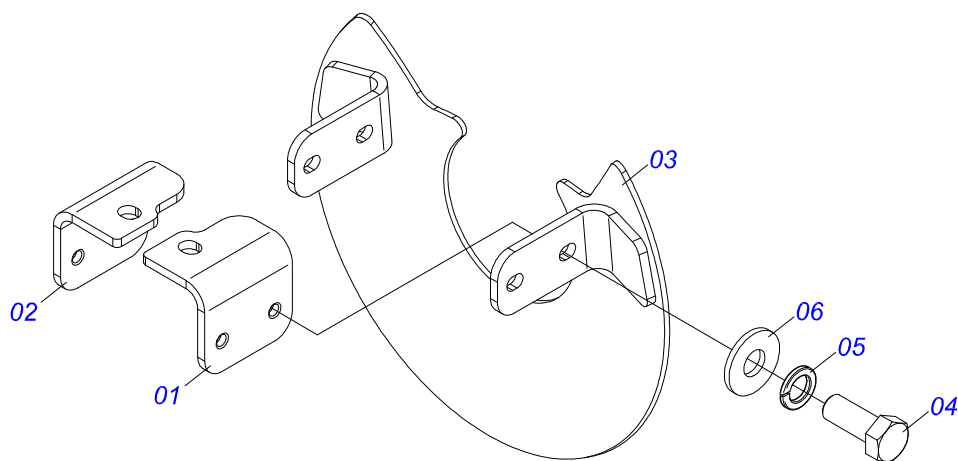


Item	Code	Description	See page	QT
01	0521050838	SWIVEL OIL BATH BEARING 192.5 X 1.1 / 2	12	01
02	0502012854	BEARING SUPPORT 182/192,5		01
03	0501011541	5/8 UNC X 3 CS G.5 ZN1K28066 BOLT		02
04	0503010027	5/8 SPRING WASHER		02
05	0503010013	5/8 UNC G.5 ZN HEX NUT		02
06	0503011334	3/8 UNC X 3/4 CS G.5 ZN BOLT		04
07	0503010025	3/8" SPRING WASHER		04
08	0581014143	SWIVEL OIL BATH BEARING WEAR PLATE		01

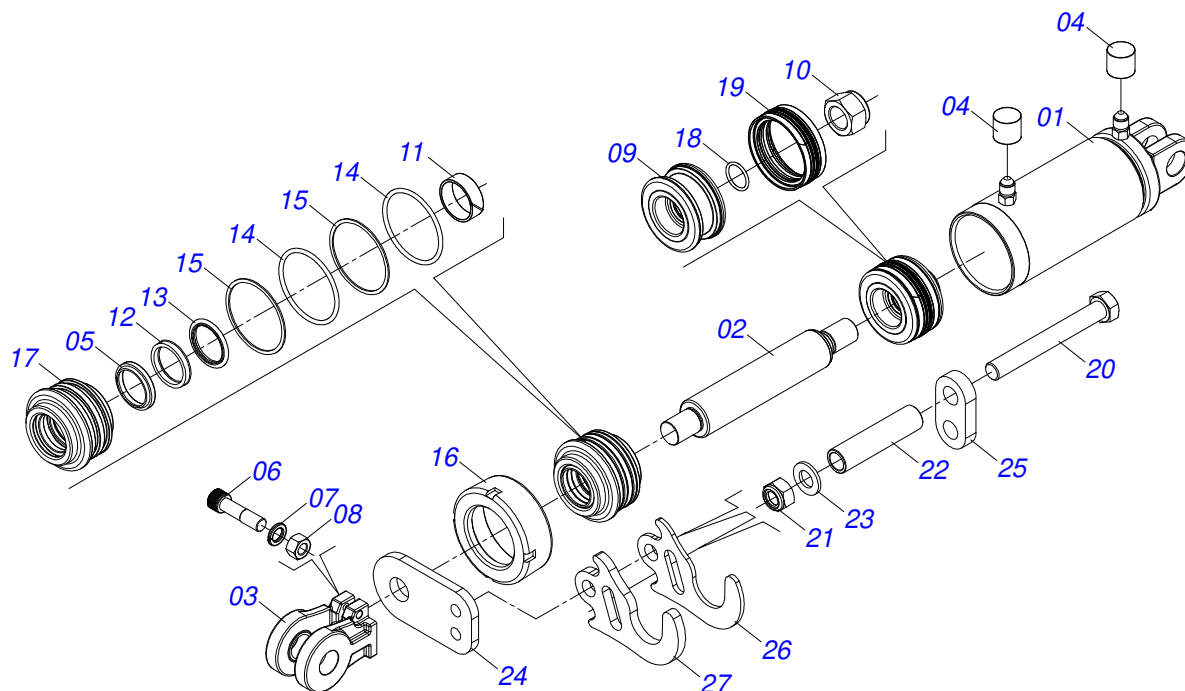


Item	Code	Description	See page	QT
01	0502012839	BEARING HOUSING 182/192,5		01
02	0503012171	32210 ROLLER BEARING		02
03	0502010541	SEAL HOLDER		02
04	0503030026	SEAL LP JB-253		02
05	0502020424	HOUSING CAP 182/192,225		01
06	0503030013	4.4" X 3.5" X 0.004" JOINT		02
07	0503030684	4.4" X 3.5" X 0.004" JOINT		01
08	0503010134	3/8" X 1" BOLT		04
09	0503010856	OIL PLUG R 3/8 BSPT		02
10	0502040061	182/192,5 AXLE		01
11	0502010605	INNER FLANGE		01
12	0502010604	OUTER FLANGE		01

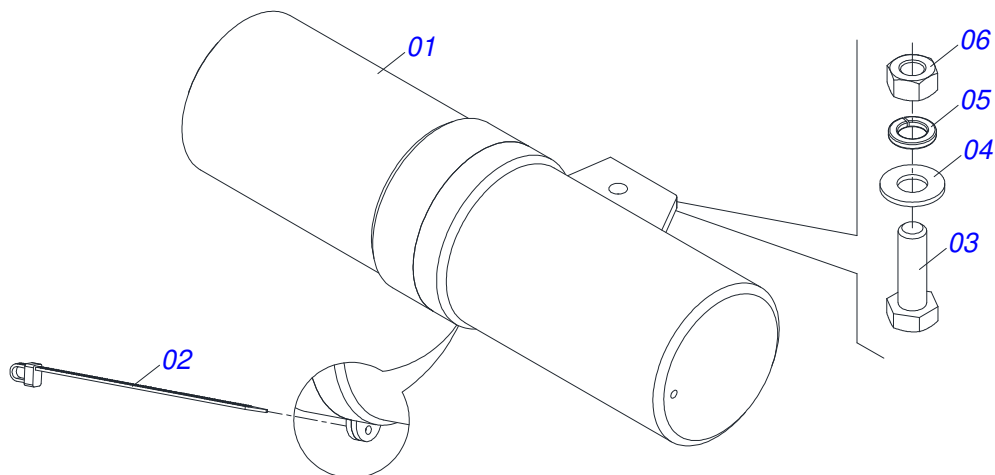




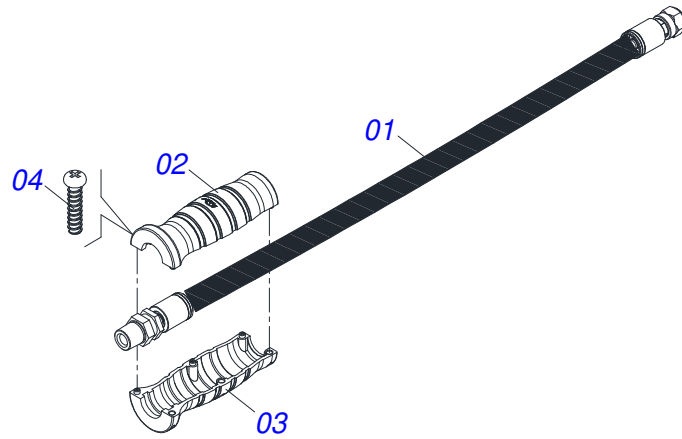
Item	Code	Description	See page	QT
01	0501214181	LEFT SUPPORT FIXER SET ROLLER SIDE CLOSURE		01
02	0501214180	RIGHT SUPPORT FIXER SET ROLLER SIDE CLOSURE		01
03	0531064041	ROLLER SIDE CLOSURE		01
04	0503010395	1/2" X 1-1/4" BOLT		04
05	0503010019	1/2" SPRING WASHER		04
06	0511017302	FLAT WASHER 13,50 X 32,50 X 3,0 ZN		04



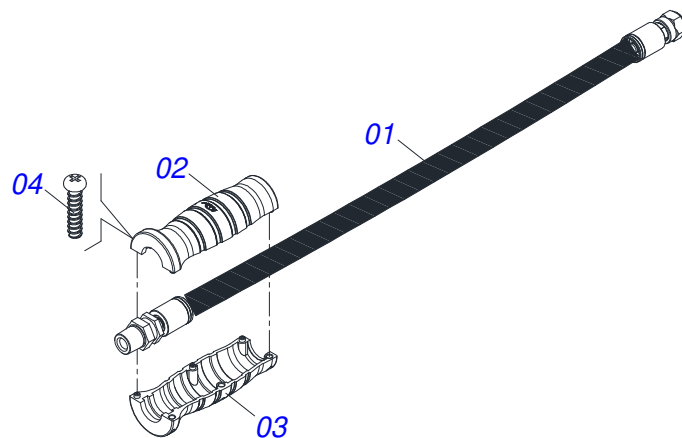
Item	Code	Description	See page	QT
01	0531060927	CYLINDER CASE 101,60 X 230		01
02	0591013802	HYDRAULIC CYLINDER TURNBUCKLE 50,80 X 313,50		01
03	0502040747	32.54 CLEVIS CLAMP		01
04	0503030384	PLUG N-001		02
05	0503010039	D-2000 SCRAPER RING		01
06	0503011094	BOLT 3/8" UNC X 2" C C S I 12.9		01
07	0503011443	SPRING WASHER 3/8"		01
08	0503010026	3/8" NUT		01
09	0502012820	2" X 4" PISTON		01
10	0503010817	1.1/4" SELF LOCKING NUT		01
11	0503018025	RING GUIDE W2-2250-750		01
12	0503018026	GASKET 1870-2000-375 B POLYMAX		01
13	0503018024	RING BS OD050805200171D-BR		01
14	0503010338	2-342 N 3006-9B O'RING		02
15	0503011061	8-342 BACK-UP RING		02
16	0502012822	END CAP 4"		01
17	0502012821	2" X 4" RING SUPPORT		01
18	0503018029	O'RING 2-217 N 3006 90B		01
19	0503015633	SELEMASTER SEALING		01
20	0501013867	BOLT 5/8" UNC X 6 CS G.5 ZN		02
21	0503013389	5/8" SELF LOCKING NUT		02
22	0591010848	16 X 22 X 103 BUSHING		02
23	0501010301	FLAT WASHER 16 X 29,50 X 3,00		02
24	0591010844	ROD STOP SUPPORT		01
25	0591010870	ROD STOP PIN ANCHOR		01
26	0591013800	ROD STOP		08
27	0591010847	ROD STOP, 179		04
28	0511032211	CYLINDER REPAIR KIT 2" X 4"		01



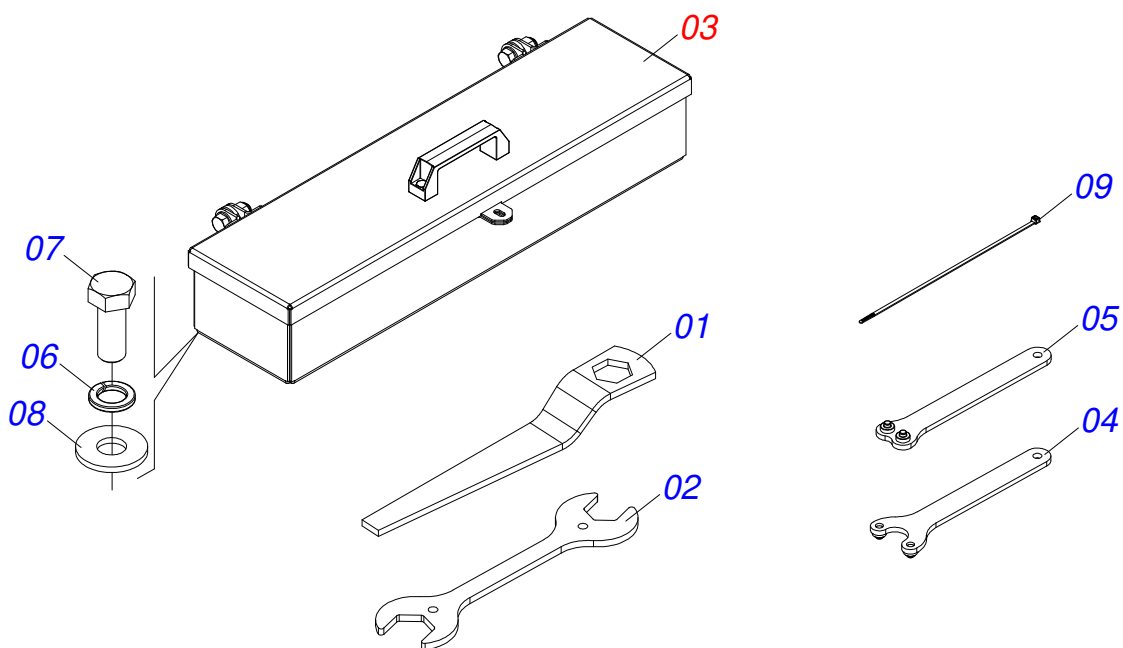
Item	Code	Description	See page	QT
01	0503060100	SUPPORT INSTRUCTION MANUAL		01
02	0503010267	NYLON CLAMP 3,60 X 1,3 X 155 MM		01
03	0503010363	BOLT 5/16 UNC X 1 C S G.2 ZN		01
04	0501010694	FLAT WASHER 32,50 X 75 X 4,75		01
05	0503010179	LOCK WASHER 5/16 ZN 1K01528		01
06	0503010337	NUT 5/16 UNC G.5 ZN		01



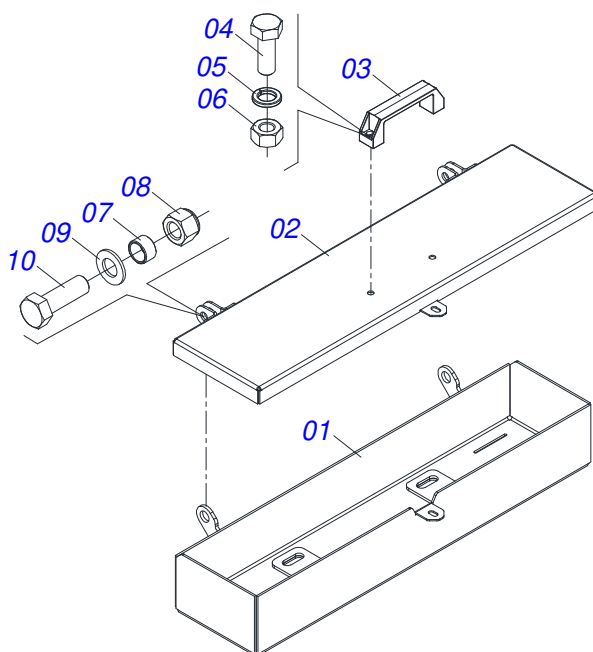
Item	Code	Description	See page	QT
01	0501083414	3/8" X 107.90" TC-TM HOSE		01
02	0503034494	HYDRAULIC HOSE GRIP (BLUE)		01
03	0503034489	HYDRAULIC HOSE GAUNTLET (GRAY)		01
04	0503018952	PH 2,5 X 10 ZB PLASTIC BOLT		06



Item	Code	Description	See page	QT
01	0501083415	3/8" X 92.90" TC-TM HOSE		01
02	0503034495	HYDRAULIC HOSE GRIP (RED)		01
03	0503034489	HYDRAULIC HOSE GAUNTLET (GRAY)		01
04	0503018952	PH 2,5 X 10 ZB PLASTIC BOLT		06

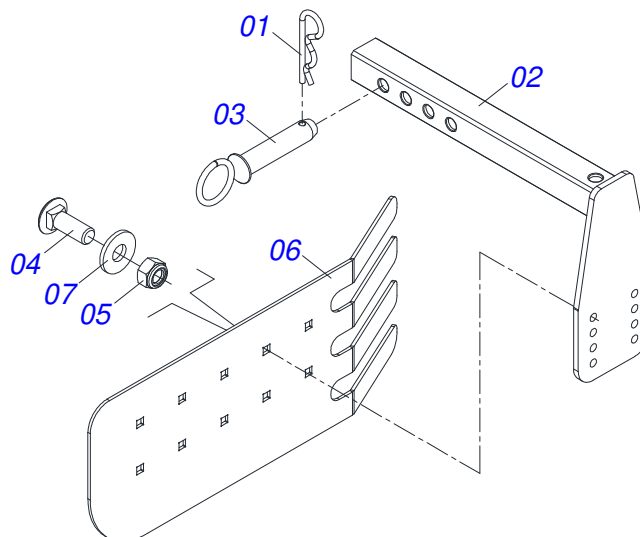


Item	Code	Description	See page	QT
01	0501011432	1-1/2" AND 1-5/8 GANG BOLT WRENCH		02
02	0541015451	WRENCH 2.3/8 X 2.3/4		01
03	0531054500	TOOL BOX	19	
04	0531060926	WRENCH PIN 50MM		01
05	0531060925	WRENCH PIN 25MM		01
06	0503010019	1/2" SPRING WASHER		04
07	0503014007	BOLT 1/2 UNC X 1.1/4 C S G.5 ZN		04
08	0511017302	FLAT WASHER 13,50 X 32,50 X 3,0 ZN		04
09	0503013100	NYLON CLAMP 4,8 X 1,3 X 200 MM		01

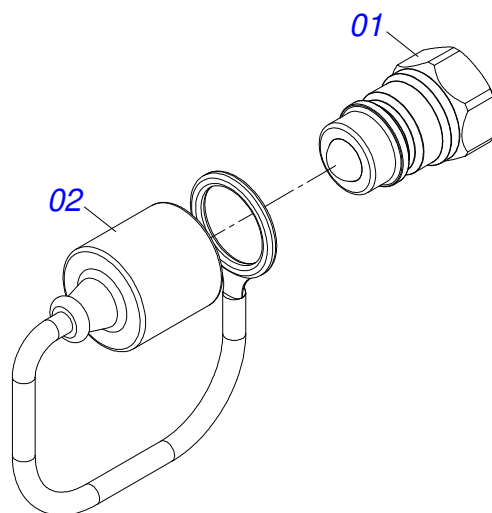


Item	Code	Description	See page	QT
01	0531063717	TOOL BOX		01
02	0531063716	TOOL BOX COVER		01
03	0503011907	NYLON HANDLE		01
04	0503010358	5/16" X 5/8" BOLT		02
05	0503010179	LOCK WASHER 5/16 ZN 1K01528		02
06	0503010337	NUT 5/16 UNC G.5 ZN		02
07	0501213228	TUBE 13 X 16 X 10		02
08	0503010589	1/2" UNC SELF ADJUSTING NUT		02
09	0503011828	FLAT WASHER 13 X 24 X 2,00 ZN		02
10	0501010161	BOLT 1/2" UNC X 1.1/4" C S G.2 ZN		02





Item	Code	Description	See page	QT
01	0503031035	HITCH PIN CLIP		01
02	0511072479	LIGHT TRIMMER SUPPORT		01
03	0501068992	0.9" X 4.5" COUPLING SHAFT		01
04	0503013842	5/8" UNC X 1-3/4" BOLT		02
05	0503013389	5/8" SELF LOCKING NUT		02
06	0591017342	BODY TRIMMER 350 WITH HOLE 17		01
07	0501012140	FLAT WASHER 16,50 X 40 X 4,00 ZN		02



Item	Code	Description	See page	QT
01	0513010215	PIN QUICK HITCH 1/2 NPT ISO 7241-1A		01
02	0503011882	MALE QUICK COUPLER CAP		01





**MARCHESAN**

**Technical Publications | Elaboration and Revision**

LEONARDO JOSÉ DA SILVA SOUZA

[www.marchesan.com.br](http://www.marchesan.com.br)

