

HINGE TYPE OFFSET DISK HARROW

GNM 36/40/44/48/52D - PA - AXIS 1.1/4"
GNM 36/40/44/48/52D - PA - EIXO 1.1/4"

Code: 0501099048
Series: S-0222
Revision: 00
Revision Date: JULY/2024

PARTS CATALOGUE



MARCHESAN



PRODUCTS

| Code | Working Width | Description |
|------------|---------------|---|
| 0102120438 | | GNM 36 X 20 X 3,50 MT DMO PA E 1.1/4 S-0222 |
| 0102120439 | | GNM 36 X 20 X 4,50 DR DMO PA E 1.1/4 S-0222 |
| 0102120441 | | GNM 36 X 22 X 3,50 DR DMO PA E 1.1/4 S-0222 |
| 0102120443 | | GNM 36 X 22 X 3,50 MT DMO PA E 1.1/4 S-0222 |
| 0102120445 | | GNM 36 X 22 X 4,50 MT DMO PA E 1.1/4 S-0222 |
| 0102120446 | | GNM 36 X 24 X 4,75 MT DMO PA E 1.1/4 S-0222 |
| 0102120447 | | GNM 40 X 20 X 3,50 DR DMO PA E 1.1/4 S-0222 |
| 0102120449 | | GNM 40 X 20 X 3,50 MT DMO PA E 1.1/4 S-0222 |
| 0102120450 | | GNM 40 X 22 X 3,50 DR DMO PA E 1.1/4 S-0222 |
| 0102120452 | | GNM 40 X 22 X 3,50 MT DMO PA E 1.1/4 S-0222 |
| 0102120453 | | GNM 40 X 22 X 4,50 DR DMO PA E 1.1/4 S-0222 |
| 0102120455 | | GNM 40 X 22 X 4,50 MT DMO PA E 1.1/4 S-0222 |
| 0102120456 | | GNM 40 X 24 X 4,75 MT DMO PA E 1.1/4 S-0222 |
| 0102120458 | | GNM 44 X 20 X 3,50 MT DMO PA E 1.1/4 S-0222 |
| 0102120459 | | GNM 44 X 20 X 4,50 MT DMO PA E 1.1/4 S-0222 |
| 0102120460 | | GNM 44 X 22 X 3,50 DL DMO PA E 1.1/4 S-0222 |
| 0102120462 | | GNM 44 X 22 X 3,50 DR DMO PA E 1.1/4 S-0222 |
| 0102120464 | | GNM 44 X 22 X 3,50 MT DMO PA E 1.1/4 S-0222 |
| 0102120465 | | GNM 44 X 22 X 4,50 DR DMO E 1.1/4 PA S-0222 |
| 0102120467 | | GNM 44 X 22 X 4,50 MT DMO PA E 1.1/4 S-0222 |
| 0102120468 | | GNM 44 X 24 X 4,75 DR DMO PA E 1.1/4 S-0222 |
| 0102120469 | | GNM 48 X 20 X 3,50 DR DMO PA E 1.1/4 S-0222 |
| 0102120471 | | GNM 48 X 20 X 3,50 MT DMO PA E 1.1/4 S-0222 |
| 0102120473 | | GNM 48 X 22 X 3,50 DR DMO PA E 1.1/4 S-0222 |
| 0102120475 | | GNM 48 X 22 X 3,50 MT DMO PA E 1.1/4 S-0222 |
| 0102120476 | | GNM 48 X 22 X 4,5 DR DMO PA E 1.1/4 S-0222 |
| 0102120481 | | GNM 48 X 24 X 4,75 MT DMO PA E 1.1/4 S-0222 |
| 0102120483 | | GNM 52 X 20 X 3,50 MT DMO PA E 1.1/4 S-0222 |
| 0102120484 | | GNM 52 X 22 X 3,50 DR DMO PA E 1.1/4 S-0222 |
| 0102120486 | | GNM 52 X 22 X 4,50 DL DMO PA E 1.1/4 S-0222 |

ATTENTION: IMPORTANT

Marchesan S.A. reserves the right to improve and/or modify the technical features of its products, without obligation to do the same with those products already sold and without prior knowledge of the dealer or the customer. The photos are only illustrative.



PRODUCTS

| | |
|------------|--|
| 0102120487 | GNM 52 X 22 X 4,50 DR DMO PA E 1.1/4 S-0222 |
| 0102120489 | GNM 52 X 22 X 4,50 MT DMO PA E 1.1/4 S-0222 |
| 0102120490 | GNM 52 X 24 X 4,75 DR DMO PA E 1.1/4 S-0222 |
| 0102120478 | GNM 52 X 24 X 4,75 MT DMO PA E 1.1/2 ESP S-0590 |
| 0102120491 | GNM 52 X 24 X 4,75 MT DMO PA E 1.1/4 S-0222 |
| 0102120492 | GNM 52X22X4,50 MT DMO PA E 1.1/4 PN750/16 S-0222 |

ATTENTION: IMPORTANT

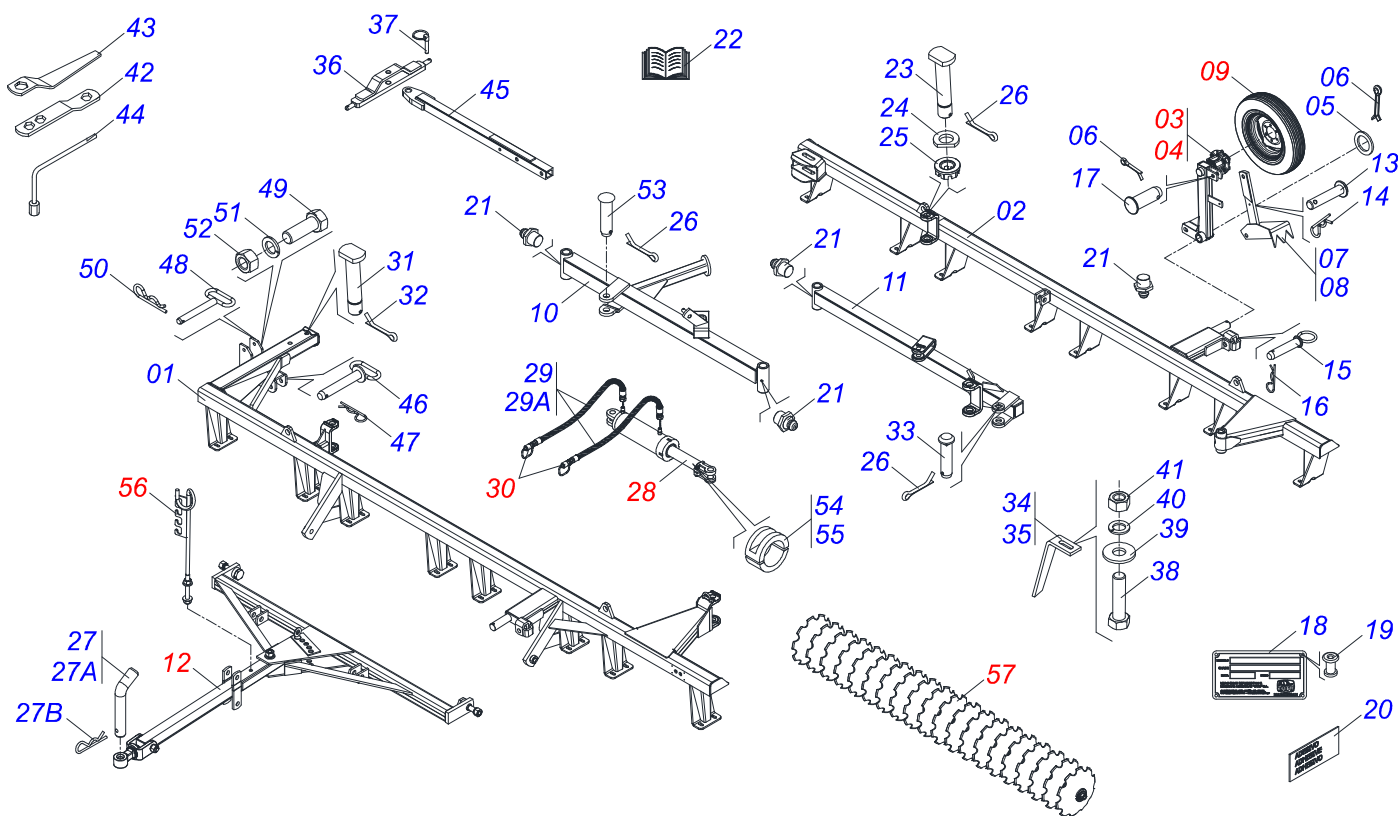
Marchesan S.A. reserves the right to improve and/or modify the technical features of its products, without obligation to do the same with those products already sold and without prior knowledge of the dealer or the customer. The photos are only illustrative.



INDEX

| | | | |
|------------|---|-------|----|
| 0909097319 | FRAME ASSY | | 1 |
| 0501051638 | LEFT STUB SHAFT & HUB ASSY | | 2 |
| 0501051637 | RIGHT STUB SHAFT & HUB ASSY | | 3 |
| 0501051142 | CARRYING WHEEL HUB | | 4 |
| 0501043081 | DRAWBAR ASSY | | 5 |
| 0501043082 | DRAWBAR ASSY | | 6 |
| 0503060094 | WHEEL AND TIRE ASSY | | 7 |
| 0503060091 | L 29.5" X 0.63"-10L WHEEL AND TIRE ASSY | | 8 |
| 0511058459 | HYDRAULIC CYLINDER | | 9 |
| 0501053834 | MALE QUICK COUPLER | | 10 |
| 0501040257 | 3/4" X 38" HOSE SUPPORT ASSY | | 11 |
| 0909097320 | DISC GANG ASSY | | 12 |
| 0521047189 | 7.58" X 1.1/4" BEARING WITH PROTECTION | | 13 |
| 0521050842 | 7.58" X 1.1/4" BEARING | | 14 |

FRAME ASSY



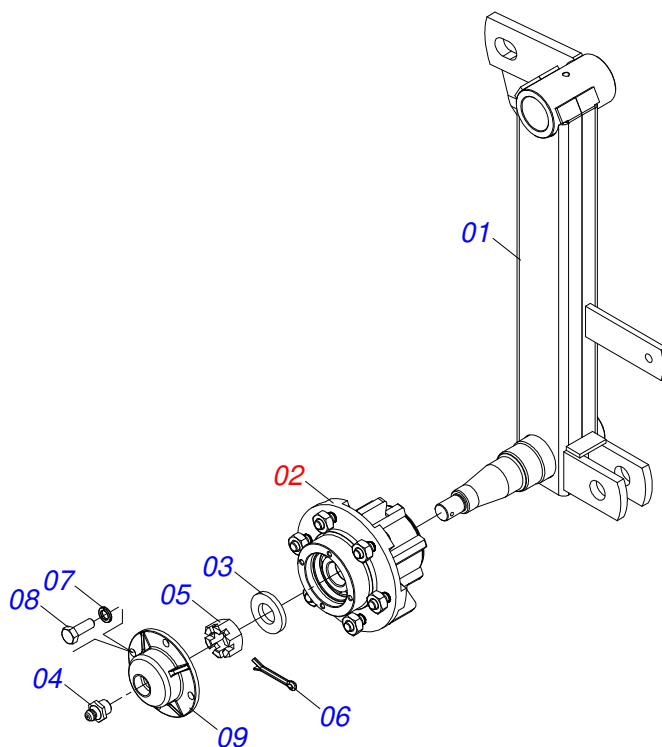
| Item | Code | Description | See page | 36 | 40 | 44 | 48 | 52 |
|--------|------------|--|----------|----|----|----|----|----|
| 01 | 0501064671 | FRONT FRAME - 36 | | 01 | 00 | 00 | 00 | 00 |
| 01. | 0501064672 | FRONT FRAME - 40 | | 00 | 01 | 00 | 00 | 00 |
| 01.. | 0501066744 | REAR FRAME - 44 | | 00 | 00 | 01 | 00 | 00 |
| 01... | 0521062638 | FRONT FRAME - 48 | | 00 | 00 | 00 | 01 | 00 |
| 01.... | 0501064678 | FRONT FRAME - 52 | | 00 | 00 | 00 | 00 | 01 |
| 02 | 0501064623 | REAR FRAME - 36 | | 01 | 00 | 00 | 00 | 00 |
| 02. | 0501064617 | REAR FRAME - 40 | | 00 | 01 | 00 | 00 | 00 |
| 02.. | 0501066745 | REAR FRAME - 44 | | 00 | 00 | 01 | 00 | 00 |
| 02... | 0521066098 | REAR FRAME - 48 | | 00 | 00 | 00 | 01 | 00 |
| 02.... | 0501064610 | REAR FRAME - 52 | | 00 | 00 | 00 | 00 | 01 |
| 03 | 0501051638 | LEFT STUB SHAFT & HUB ASSY | 2 | 01 | 01 | 01 | 01 | 01 |
| 04 | 0501051637 | RIGHT STUB SHAFT & HUB ASSY | 3 | 01 | 01 | 01 | 01 | 01 |
| 05 | 0501015875 | FLAT WASHER 53,2/53,7X80X6,3N | | 02 | 02 | 02 | 02 | 02 |
| 06 | 0503010571 | 1/4" X 1.1/2" SPLIT PIN | | 02 | 02 | 02 | 02 | 02 |
| 07 | 0501060598 | DRAWBAR JACK | | 01 | 01 | 01 | 01 | 01 |
| 08 | 0501060597 | RIGHT DRAWBAR JACK | | 01 | 01 | 01 | 01 | 01 |
| 09 | 0503060094 | WHEEL AND TIRE ASSY | 7 | 02 | 02 | 02 | 02 | 02 |
| 09. | 0503060091 | L 29.5" X 0.63"-10L WHEEL AND TIRE ASSY | 8 | 02 | 02 | 02 | 02 | 02 |
| 10 | 0501064461 | FRONT STAB BAR | | 01 | 01 | 01 | 01 | 01 |
| 11 | 0501064462 | 63" REAR STABILIZER BAR | | 01 | 01 | 01 | 01 | 01 |
| 12 | 0501043081 | DRAWBAR ASSY | 5 | 01 | 01 | 01 | 01 | 00 |
| 12. | 0501043082 | DRAWBAR ASSY | 6 | 00 | 00 | 00 | 00 | 01 |
| 13 | 0521010625 | 0.4" X 2" COUPLING SHAFT | | 02 | 02 | 02 | 02 | 02 |
| 14 | 0503030168 | HITCH PIN CLIP | | 02 | 02 | 02 | 02 | 02 |
| 15 | 0521066143 | JUNCTION SHAFT | | 02 | 02 | 02 | 02 | 02 |
| 16 | 0503030012 | HITCH PIN CLIP | | 03 | 03 | 03 | 03 | 03 |
| 17 | 0521010592 | 1.1" X 3.1" COUPLING SHAFT | | 04 | 04 | 04 | 04 | 04 |
| 18 | 0503034003 | 61 X 118 SERIAL NUMBER TAG | | 01 | 01 | 01 | 01 | 01 |
| 19 | 0503010001 | RIVET 3,2 X 5,5 | | 04 | 04 | 04 | 04 | 04 |
| 20 | 0503031428 | ATTENTION READ MANUAL DECAL | | 01 | 01 | 01 | 01 | 01 |
| 20. | 0503031827 | DAILY LUBRICATION AND RETIGHTENING DECAL | | 01 | 01 | 01 | 01 | 01 |
| 20.. | 0503034569 | ADHESIVE LABEL | | 01 | 01 | 01 | 01 | 01 |



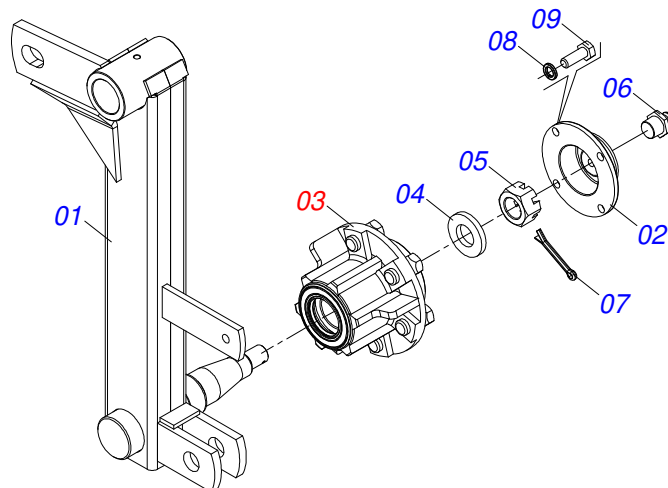
FRAME ASSY

0909097319

| Item | Code | Description | See page | 36 | 40 | 44 | 48 | 52 |
|-------|------------|--|----------|----|----|----|----|----|
| 20... | 0503035341 | ADHESIVE LABEL | | 01 | 01 | 01 | 01 | 01 |
| 20... | 0503034438 | ADHESIVE LABEL | | 01 | 01 | 01 | 01 | 01 |
| 21 | 0503010002 | 1800 GREASE FITTING | | 06 | 06 | 06 | 06 | 06 |
| 22 | 0501030523 | PLASTIC COVER WITH INSTRUCTIONS MANUAL | | 01 | 01 | 01 | 01 | 01 |
| 23 | 0531019497 | 1.5" X 9.2" ARTICULATED AXIS | | 04 | 04 | 04 | 04 | 04 |
| 24 | 0531019540 | FLAT WASHER | | 03 | 03 | 03 | 03 | 03 |
| 25 | 0501011301 | 1.1/2" UNC 6FPP 2.5/16" NUT | | 04 | 04 | 04 | 04 | 04 |
| 26 | 0503010010 | 1/4" X 2.1/2" SPLIT PIN | | 06 | 06 | 06 | 06 | 06 |
| 27 | 0501040343 | HITCH AXIS ASSY | | 01 | 01 | 01 | 01 | 01 |
| 27A | 0521010453 | JOINT AXIS | | 01 | 01 | 01 | 01 | 01 |
| 27B | 0503031035 | HITCH PIN CLIP | | 01 | 01 | 01 | 01 | 01 |
| 28 | 0511058459 | HYDRAULIC CYLINDER | 9 | 01 | 01 | 01 | 01 | 01 |
| 29 | 0501051049 | HOSE KIT | | 01 | 01 | 01 | 01 | 01 |
| 29A | 0501080363 | 3/8" X 177" TR-TM HOSE | | 02 | 02 | 02 | 02 | 02 |
| 30 | 0501053834 | MALE QUICK COUPLER | 10 | 02 | 02 | 02 | 02 | 02 |
| 31 | 0521010644 | 1.5" X 8.4" COUPLING SHAFT | | 01 | 01 | 01 | 01 | 01 |
| 32 | 0503010534 | 3/8" X 2.1/2" SPLIT PIN | | 01 | 01 | 01 | 01 | 01 |
| 33 | 0521013077 | 1.2" X 5.7" PIVOT SHAFT | | 01 | 01 | 01 | 01 | 01 |
| 34 | 0501063963 | FRONT SCRAPER | | 11 | 13 | 13 | 15 | 17 |
| 35 | 0501063962 | REAR SCRAPER | | 11 | 13 | 13 | 15 | 17 |
| 36 | 0521062443 | BAR FOR TRANSPORT | | 01 | 01 | 01 | 01 | 01 |
| 37 | 0503030430 | 7/16 X 2" PIN LOCK | | 02 | 02 | 02 | 02 | 02 |
| 38 | 0503011082 | C1/2" X 1.3/4" SCREW | | 44 | 52 | 52 | 60 | 68 |
| 39 | 0511017302 | FLAT WASHER 13,50 X 32,50 X 3,0 ZN | | 44 | 52 | 52 | 60 | 68 |
| 40 | 0503010019 | 1/2" SPRING WASHER | | 44 | 52 | 52 | 60 | 68 |
| 41 | 0503010060 | 1/2 UNC G.5 ZN HEX NUT | | 44 | 52 | 52 | 60 | 68 |
| 42 | 0511018451 | 5/8" X 3/4" X 1" UNIVERSAL | | 01 | 01 | 01 | 01 | 01 |
| 43 | 0501010198 | 1-1/4" CABLE FLAT WRENCH | | 02 | 02 | 02 | 02 | 02 |
| 44 | 0501068273 | 5/8" WRENCH | | 02 | 02 | 02 | 02 | 02 |
| 45 | 0531068973 | TRACTION BAR FOR HYDRAULIC TRANSPORTATION 1412 | | 01 | 01 | 01 | 01 | 01 |
| 46 | 0521067644 | JUNCTION SHAFT 25,40 X 140 | | 01 | 01 | 01 | 01 | 01 |
| 47 | 0503030012 | HITCH PIN CLIP | | 01 | 01 | 01 | 01 | 01 |
| 48 | 0521064088 | LOCK AXLE | | 01 | 01 | 01 | 01 | 01 |
| 49 | 0501010372 | 1" X 5-1/2" BOLT | | 01 | 01 | 01 | 01 | 01 |
| 50 | 0503031035 | HITCH PIN CLIP | | 01 | 01 | 01 | 01 | 01 |
| 51 | 0503010012 | 1" SPRING WASHER | | 01 | 01 | 01 | 01 | 01 |
| 52 | 0503012182 | 1" NUT | | 01 | 01 | 01 | 01 | 01 |
| 53 | 0521010544 | 1.2" X 4.9" COUPLING SHAFT | | 01 | 01 | 01 | 01 | 01 |
| 54 | 0501047895 | 25 ROD STOP | | 06 | 06 | 06 | 06 | 06 |
| 55 | 0501047885 | 30 ROD STOP | | 04 | 04 | 04 | 04 | 04 |
| 56 | 0501040257 | 3/4" X 38" HOSE SUPPORT ASSY | 11 | 01 | 01 | 01 | 01 | 01 |
| 57 | | DISC GANG ASSY | 12 | | | | | |

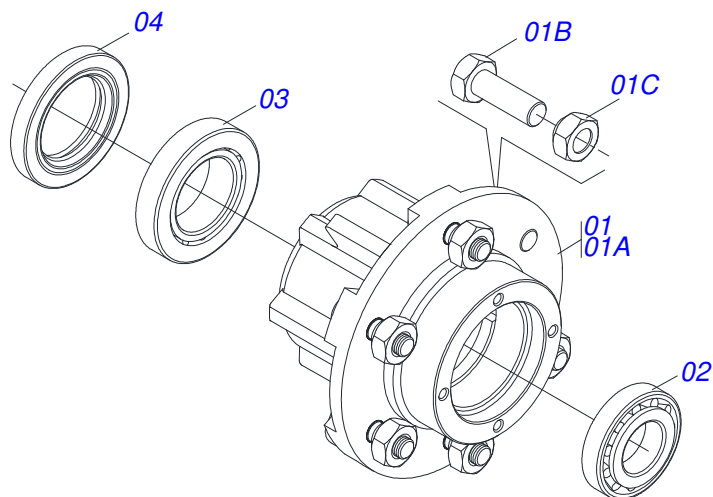


| Item | Code | Description | See page | QT |
|------|------------|----------------------------------|----------|----|
| 01 | 0501069091 | LEFT CARRYING-W FIXATION SUPPORT | | 01 |
| 02 | 0501051142 | CARRYING WHEEL HUB | 4 | 01 |
| 03 | 0501016545 | FLAT WASHER | | 01 |
| 04 | 0503010002 | 1800 GREASE FITTING | | 01 |
| 05 | 0503030009 | 1" CASTLE NUT | | 01 |
| 06 | 0503010018 | 5/32" X 1-1/2" SPLIT PIN | | 01 |
| 07 | 0503011444 | SPRING WASHER 5/16" | | 04 |
| 08 | 0503010358 | 5/16" X 5/8" BOLT | | 04 |
| 09 | 0502020591 | PROTECTION LID | | 01 |



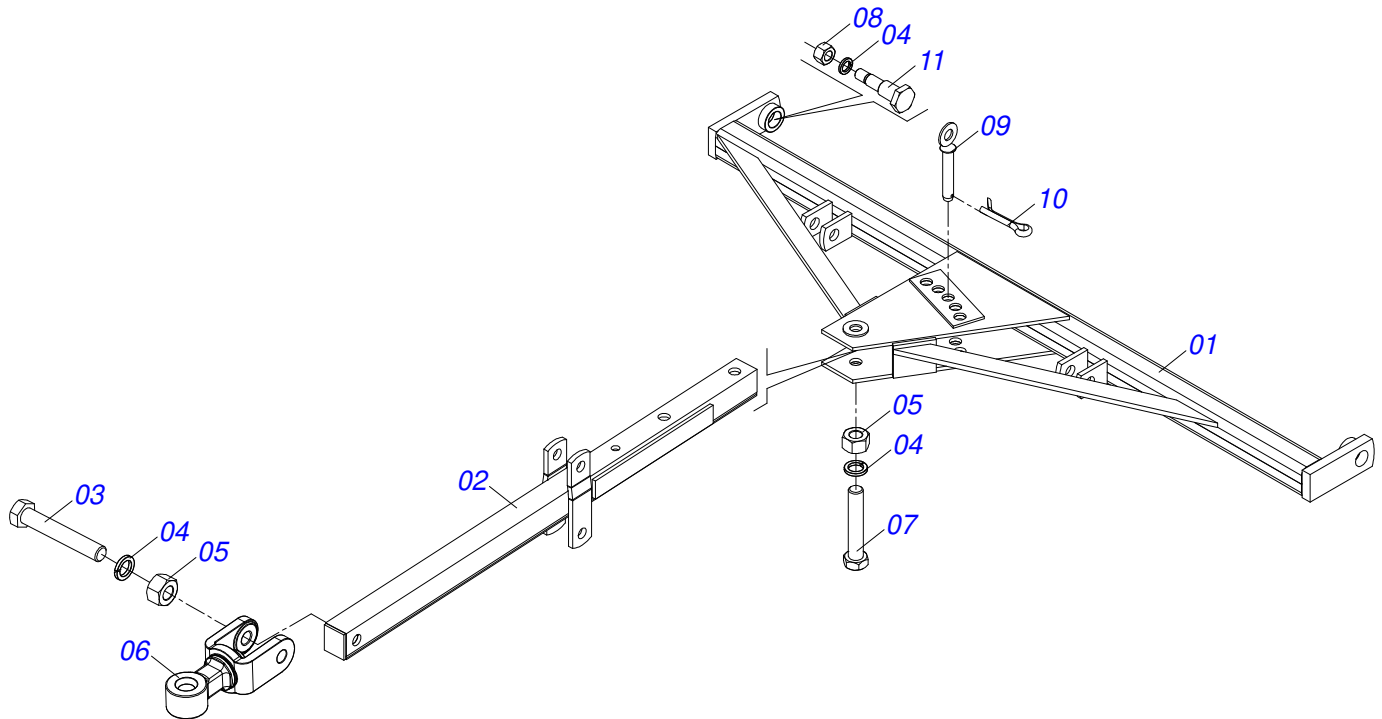
| Item | Code | Description | See page | QT |
|------|------------|-------------------------------------|----------|----|
| 01 | 0501068991 | RIG CARRYING-WHEEL FIXATION SUPPORT | | 01 |
| 02 | 0502020591 | PROTECTION LID | | 01 |
| 03 | 0501051142 | CARRYING WHEEL HUB | 4 | 01 |
| 04 | 0501016545 | FLAT WASHER | | 01 |
| 05 | 0503030009 | 1" CASTLE NUT | | 01 |
| 06 | 0503010002 | 1800 GREASE FITTING | | 01 |
| 07 | 0503010018 | 5/32" X 1-1/2" SPLIT PIN | | 01 |
| 08 | 0503011444 | SPRING WASHER 5/16" | | 04 |
| 09 | 0503010358 | 5/16" X 5/8" BOLT | | 04 |

CARRYING WHEEL HUB



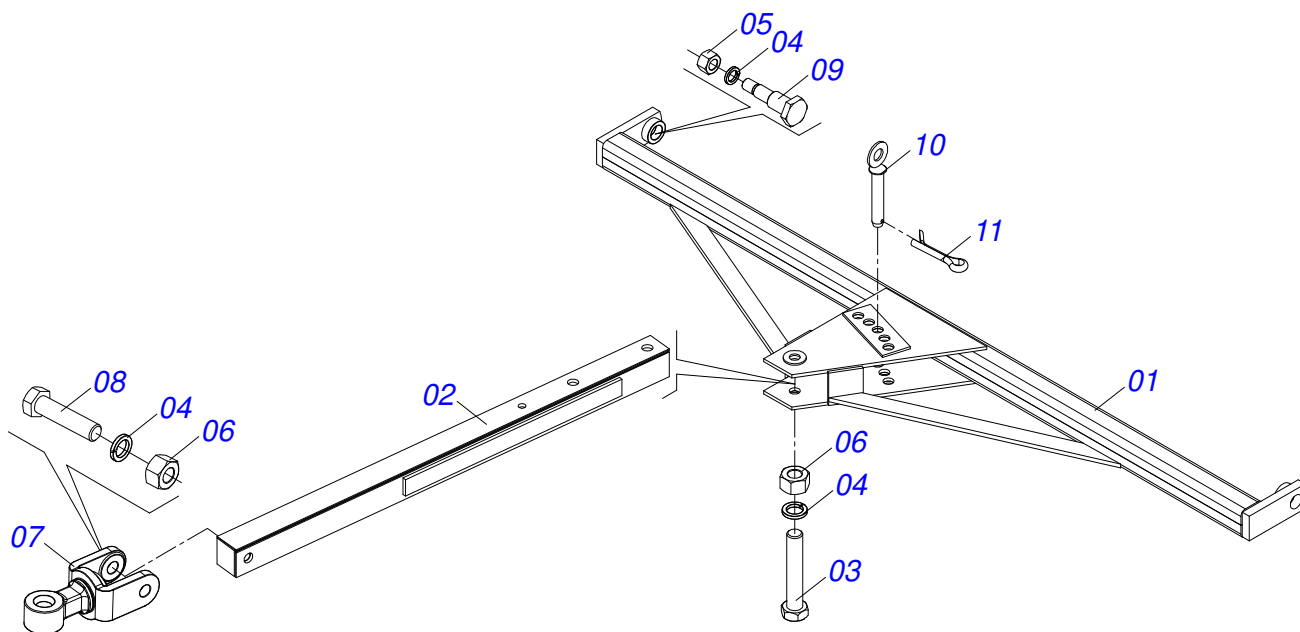
| Item | Code | Description | See page | QT |
|------|------------|-------------------------|----------|----|
| 01 | 0501110728 | WHEEL HUB | | 01 |
| 01A | 0502011121 | CARRYING WHEEL HUB | | 01 |
| 01B | 0501010127 | 9/16" X 1-7/8" LUG BOLT | | 06 |
| 01C | 0503010035 | 9/16" CONIC NUT | | 06 |
| 02 | 0503010037 | 30207 ROLLER BEARING | | 01 |
| 03 | 0503010006 | 32210 ROLLER BEARING | | 01 |
| 04 | 0503012928 | SEAL | | 01 |

DRAWBAR ASSY

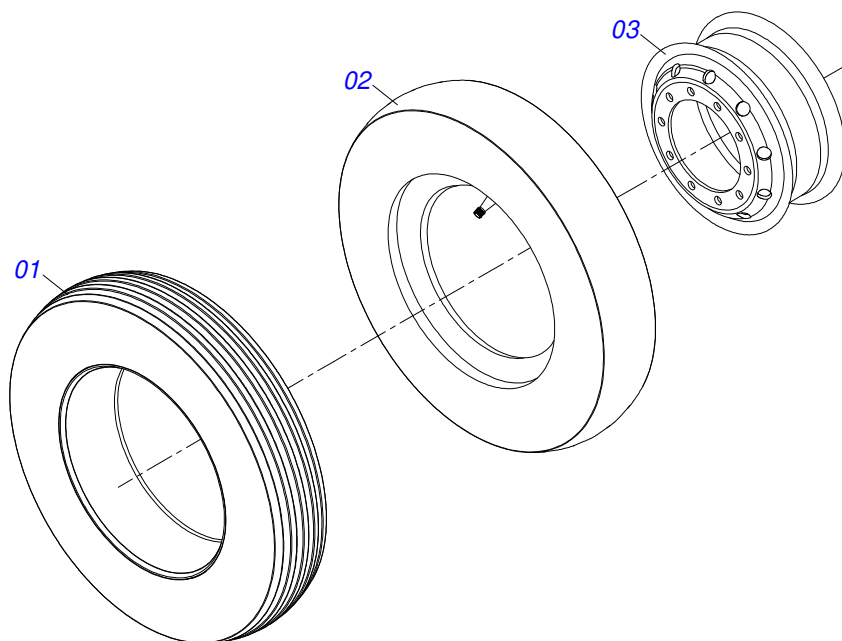


| Item | Code | Description | See page | QT |
|------|------------|---------------------------------|----------|----|
| 01 | 0501064919 | OFFSET BAR FOR TRANSP HYDRAULIC | | 01 |
| 02 | 0501064878 | DRAWBAR ASSY | | 01 |
| 03 | 0501010372 | 1" X 5-1/2" BOLT | | 01 |
| 04 | 0503011438 | SPRING WASHER | | 04 |
| 05 | 0501010059 | 1.5/8 NUT | | 02 |
| 06 | 0521062444 | TRACTOR HITCH | | 01 |
| 07 | 0501010191 | 1" X 6" BOLT | | 01 |
| 08 | 0503010340 | 1" NUT | | 02 |
| 09 | 0501068993 | 0.9" X 5.5" COUPLING SHAFT | | 01 |
| 10 | 0503010571 | 1/4" X 1.1/2" SPLIT PIN | | 01 |
| 11 | 0501018191 | HITCH BAR BOLT | | 02 |

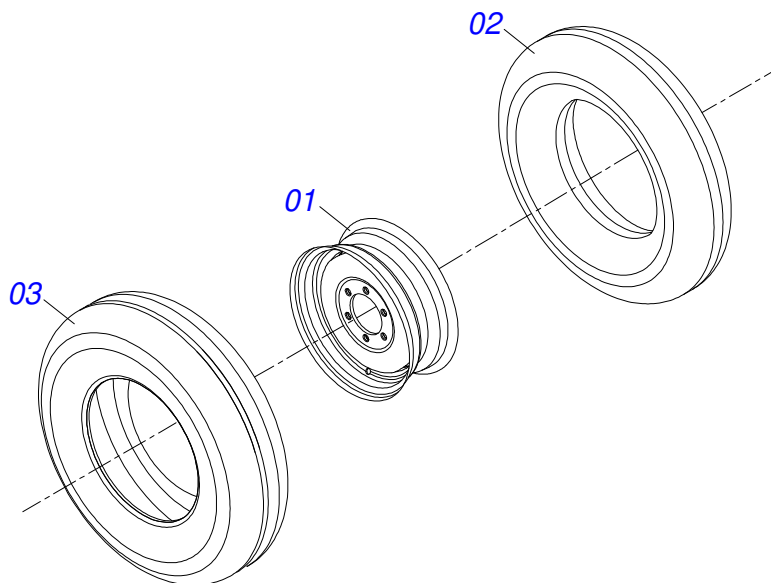
DRAWBAR ASSY



| Item | Code | Description | See page | QT |
|------|------------|----------------------------|----------|----|
| 01 | 0501064920 | 89.4" OFFSET BAR | | 01 |
| 02 | 0501060188 | DRAWBAR ASSY | | 01 |
| 03 | 0501010191 | 1" X 6" BOLT | | 01 |
| 04 | 0503010012 | 1" SPRING WASHER | | 04 |
| 05 | 0503010340 | 1" NUT | | 02 |
| 06 | 0501010059 | 1.5/8 NUT | | 02 |
| 07 | 0521061775 | TRACTOR HITCH | | 01 |
| 08 | 0501010060 | 1" X 6-1/2" BOLT | | 01 |
| 09 | 0501018191 | HITCH BAR BOLT | | 02 |
| 10 | 0501068993 | 0.9" X 5.5" COUPLING SHAFT | | 01 |
| 11 | 0503010523 | 1/4 X 2 SPLIT PIN | | 01 |

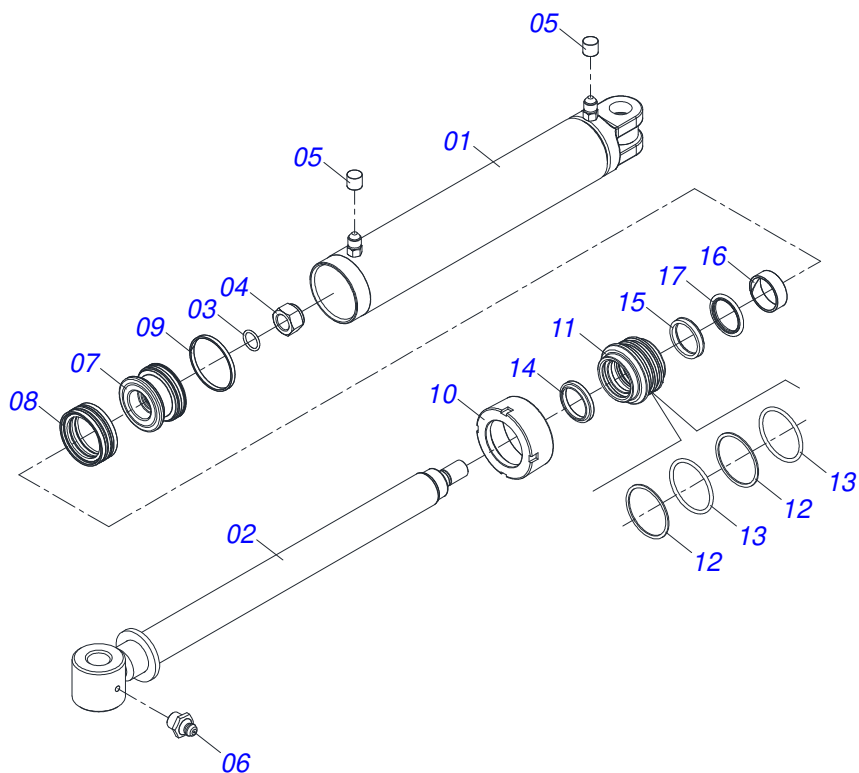


| Item | Code | Description | See page | QT |
|------|------------|--------------------------------|----------|----|
| 01 | 0503010065 | CANVAS TIRE | | 01 |
| 02 | 0503010068 | 6.00 X 16 INNER TIRE | | 01 |
| 03 | 0503010894 | 0.2"X0.6"X4.6"X6F0.6"X6" WHEEL | | 01 |

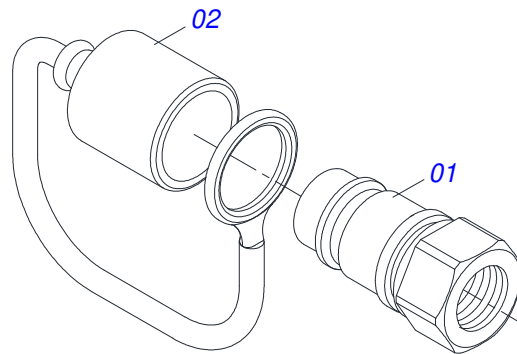


| Item | Code | Description | See page | QT |
|------|------------|----------------------|----------|----|
| 01 | 0503010893 | WHEEL | | 01 |
| 02 | 0503010033 | 7.50 X 16 INNER TIRE | | 01 |
| 03 | 0503010120 | CANVAS TIRE | | 01 |

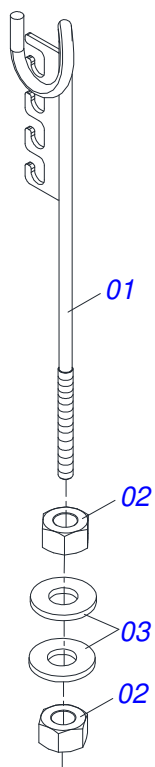
HYDRAULIC CYLINDER



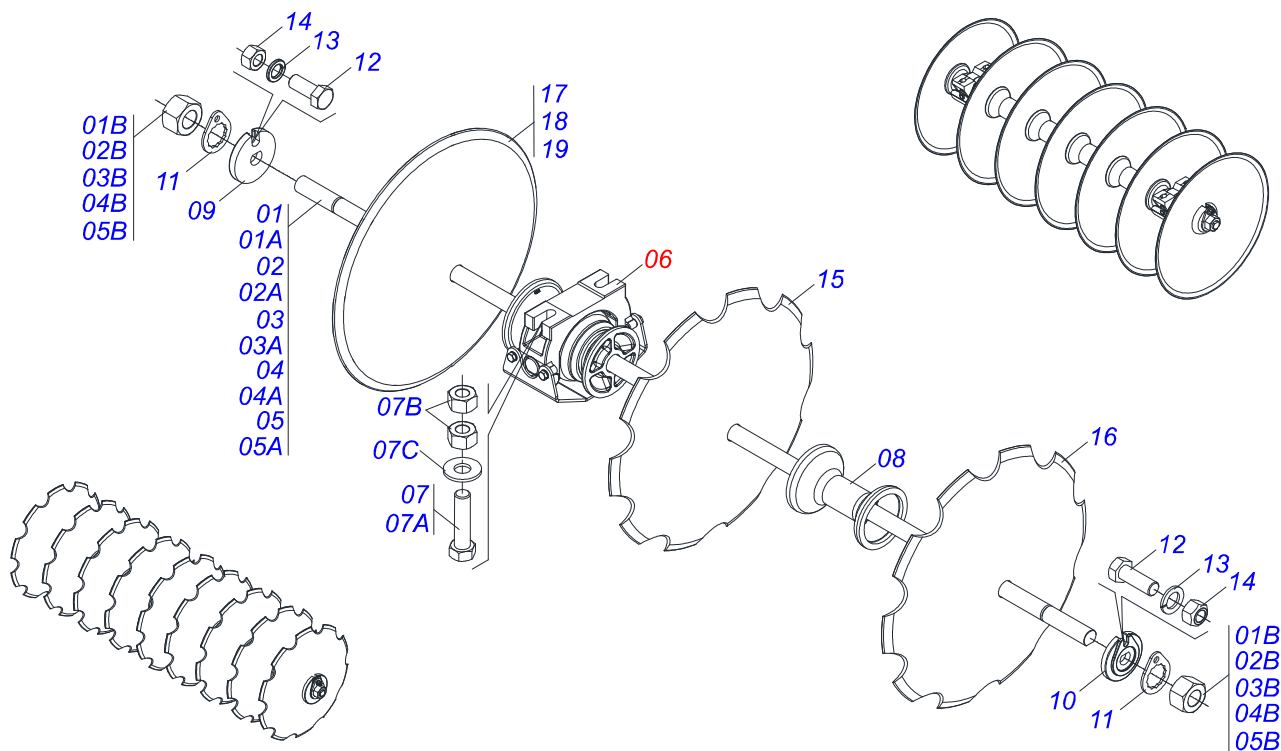
| Item | Code | Description | See page | QT |
|------|------------|--------------------------------|----------|----|
| 01 | 0521061064 | 85,72 X 510 CYLINDER CASE | | 01 |
| 02 | 0521067533 | 50,80 X 697 EXTENSOR | | 01 |
| 03 | 0503010042 | 2-214 N 3006-9B O'RING | | 01 |
| 04 | 0503010063 | 1" SELF-ALIGNING NUT | | 01 |
| 05 | 0503030385 | CYLINDER PLUG N-002 | | 02 |
| 06 | 0503010002 | 1800 GREASE FITTING | | 02 |
| 07 | 0571019710 | 1.7" X 3.4" PISTON | | 01 |
| 08 | 0503017935 | RING | | 01 |
| 09 | 0503018144 | RING | | 01 |
| 10 | 0581013227 | 85,72 MOVEEL COVER | | 01 |
| 11 | 0581013228 | 50,80 X 85,72 SUPPORT RINGS | | 01 |
| 12 | 0503017940 | 8-337 BACK-UP RING | | 02 |
| 13 | 0503017939 | 2-337 N 3006-9B O' RING | | 02 |
| 14 | 0503010039 | D-2000 SCRAPER RING | | 01 |
| 15 | 0503018026 | GASKET 1870-2000-375 B POLYMAX | | 01 |
| 16 | 0503018025 | RING GUIDE W2-2250-750 | | 01 |
| 17 | 0503018024 | RING BS OD050805200171D-BR | | 01 |



| Item | Code | Description | See page | QT |
|------|------------|--------------------------------|----------|----|
| 01 | 0503011627 | MALE QUICK COUPLER AGR 1/2 NPT | | 01 |
| 02 | 0503011882 | MALE QUICK COUPLER CAP | | 01 |



| Item | Code | Description | See page | QT |
|------|------------|----------------------------------|----------|----|
| 01 | 0511067334 | HOSE SUPPORT | | 01 |
| 02 | 0503010014 | 3/4" ZN G.5 (HEAVY) UNC HEX NUT | | 02 |
| 03 | 0501010322 | 20,50 X 46 X 4,00 ZN FLAT WASHER | | 02 |



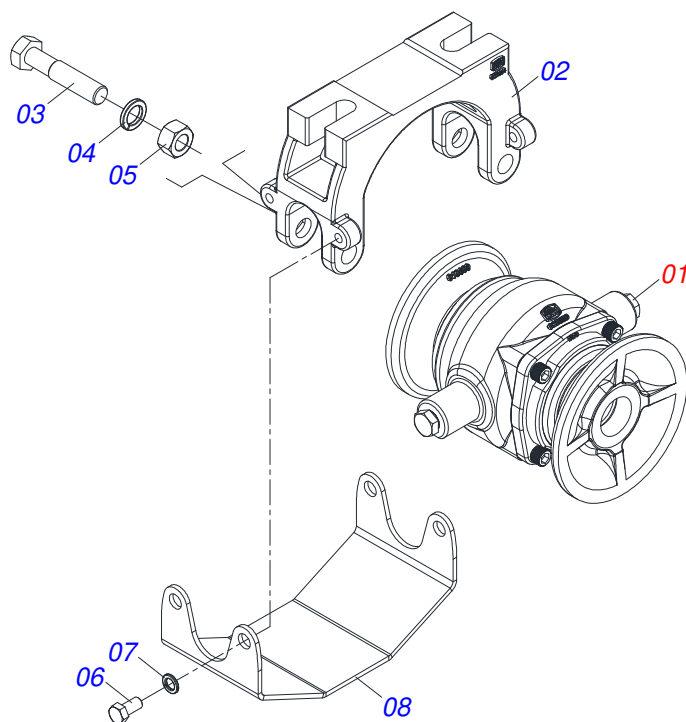
| Item | Code | Description | See page | 36 | 40 | 44 | 48 | 52 |
|------|------------|--|----------|----|----|----|----|----|
| 01 | 0501040694 | 1-1/4" X 66" AXLE WITH NUTS | | 04 | 00 | 00 | 00 | 00 |
| 01A | 0501010439 | 1-1/4" X 66" AXLE | | 01 | 00 | 00 | 00 | 00 |
| 01B | 0501010087 | 1.1/4" NUT | | 02 | 00 | 00 | 00 | 00 |
| 02 | 0501042947 | 1-1/4" X 74" AXLE WITH NUTS | | 00 | 04 | 00 | 00 | 00 |
| 02A | 0501017377 | 1-1/4" X 74" AXLE | | 00 | 01 | 00 | 00 | 00 |
| 02B | 0501010087 | 1.1/4" NUT | | 00 | 02 | 00 | 00 | 00 |
| 03 | 0501042262 | 1-1/4" X 35" AXLE WITH NUTS | | 00 | 00 | 04 | 00 | 00 |
| 03A | 0501016647 | 1-1/4" X 35" AXLE | | 00 | 00 | 01 | 00 | 00 |
| 03B | 0501010087 | 1.1/4" NUT | | 00 | 00 | 02 | 00 | 00 |
| 04 | 0501042201 | 1.1/4" X 1090 AXLE WITH NUTS | | 00 | 00 | 04 | 04 | 04 |
| 04A | 0501016649 | 1.1/4" X 1090 AXLE | | 00 | 00 | 01 | 01 | 01 |
| 04B | 0501010087 | 1.1/4" NUT | | 00 | 00 | 02 | 02 | 02 |
| 05 | 0501042202 | 1-1/4" X 50" AXLE WITH NUTS | | 00 | 00 | 00 | 00 | 04 |
| 05A | 0501016650 | 1-1/4" X 50" AXLE | | 00 | 00 | 00 | 00 | 01 |
| 05B | 0501010087 | 1.1/4" NUT | | 00 | 00 | 00 | 00 | 02 |
| 06 | 0521047189 | 7.58" X 1.1/4" BEARING WITH PROTECTION | 13 | 12 | 12 | 16 | 08 | 16 |
| 07 | 0521059224 | BOLT ASSEMBLY 5/8 UNC X 2.3/4 | | 24 | 24 | 32 | 16 | 32 |
| 07A | 0501013233 | 5/8" X 2-3/4" BOLT | | 01 | 01 | 01 | 01 | 01 |
| 07B | 0503010013 | 5/8 UNC G.5 ZN HEX NUT | | 02 | 02 | 02 | 02 | 02 |
| 07C | 0501012140 | FLAT WASHER 16,50 X 40 X 4,00 ZN | | 01 | 01 | 01 | 01 | 01 |
| 08 | 0502010549 | 7.6" X 1-1/4" SPACER | | 20 | 24 | 20 | 12 | 28 |
| 09 | 0502010834 | 1-1/4" INNER AXLE WASHER | | 04 | 04 | 08 | 04 | 08 |
| 10 | 0502010835 | 1-1/4" EXTERNAL AXLE WASHER | | 04 | 04 | 08 | 04 | 08 |
| 11 | 0501010455 | 1.1/4" NUT LOCK | | 08 | 08 | 16 | 08 | 16 |
| 12 | 0503010395 | 1/2" X 1-1/4" BOLT | | 08 | 08 | 16 | 08 | 16 |
| 13 | 0503010019 | 1/2" SPRING WASHER | | 08 | 08 | 16 | 08 | 16 |
| 14 | 0503010060 | 1/2 UNC G.5 ZN HEX NUT | | 08 | 08 | 16 | 18 | 16 |
| 15 | 0602027340 | DR 20 X 3,50 C57AF02FR1.5/16 10R | | 36 | 40 | 44 | 48 | 52 |
| 15. | 0602029420 | DR 22 X 3,50 C64AF02FR1.5/16 D126 10R | | 36 | 40 | 44 | 48 | 52 |
| 15.. | 0602030336 | DR 24 X 4,75 C76AF02FR1.5/16 10R | | 36 | 40 | 44 | 48 | 52 |
| 16 | 0602030415 | DR 24 X 4,75 C66AF02FR1.5/16 D126 10R | | 36 | 40 | 44 | 48 | 52 |
| 16. | 0602029421 | DR 22 X 4,50 C64AF02FR1.5/16 10R | | 36 | 40 | 44 | 48 | 52 |



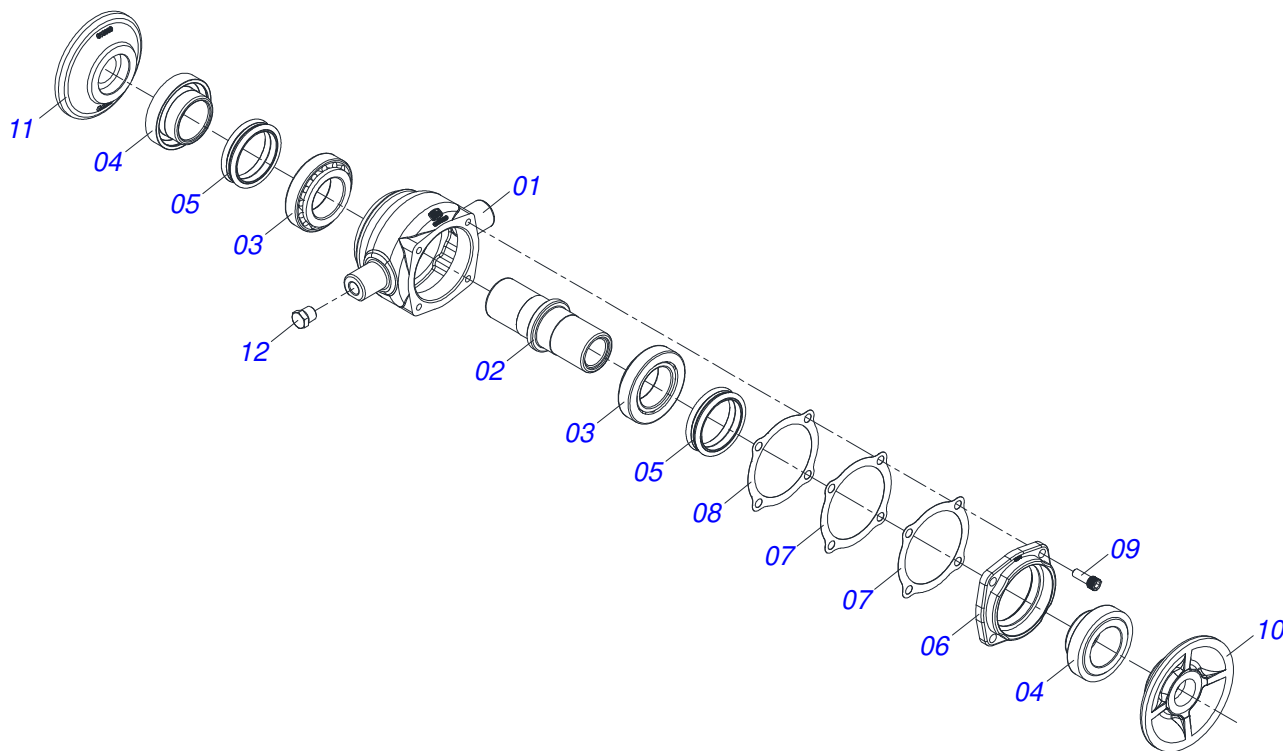
DISC GANG ASSY

0909097320

| Item | Code | Description | See page | 36 | 40 | 44 | 48 | 52 |
|------|------------|-----------------------------------|----------|----|----|----|----|----|
| 16.. | 0602025259 | DR 18 X 3,00 C45AF02FR1.5/16 9R | | 36 | 40 | 44 | 49 | 52 |
| 17 | 0601027301 | DL 20 X 3,50 C57AF02FR1.5/16 | | 36 | 40 | 44 | 48 | 52 |
| 17. | 0601025251 | DL 18 X 3,50 C45AF02FR1.5/16 | | 36 | 40 | 44 | 48 | 52 |
| 17.. | 0601029418 | DL 22 X 3,50 C64AF02FR1.5/16 D126 | | 36 | 40 | 44 | 48 | 52 |
| 18 | 0601031042 | DL 24 X 4,75 C76AF02FR1.5/16 | | 36 | 40 | 44 | 48 | 52 |
| 18. | 0601029420 | DL 22 X 4,75 C64AF02FR1.5/16 D126 | | 36 | 40 | 44 | 48 | 52 |
| 18.. | 0601031133 | DL 24 X 4,75 C66AF02FR1.5/16 | | 36 | 40 | 44 | 48 | 52 |
| 19 | 0601029422 | DL 22 X 4,50 C64AF02FR1.5/16 | | 36 | 40 | 44 | 49 | 52 |
| 19. | 0601029417 | DL 22 X 4,50 C64AF02FR1.5/16 | | 36 | 40 | 44 | 49 | 52 |
| 19.. | 0601027304 | DL 20 X 4,50 C57AF02FR1.5/16 | | 36 | 40 | 44 | 49 | 52 |



| Item | Code | Description | See page | QT |
|------|------------|------------------------------------|----------|----|
| 01 | 0521050842 | 7.58" X 1.1/4" BEARING | 14 | 01 |
| 02 | 0502012854 | BEARING SUPPORT 182/192,5 | | 01 |
| 03 | 0501011541 | 5/8 UNC X 3 CS G.5 ZN1K28066 BOLT | | 02 |
| 04 | 0503010027 | 5/8 SPRING WASHER | | 02 |
| 05 | 0503010013 | 5/8 UNC G.5 ZN HEX NUT | | 02 |
| 06 | 0503011334 | 3/8 UNC X 3/4 CS G.5 ZN BOLT | | 04 |
| 07 | 0503010025 | 3/8" SPRING WASHER | | 04 |
| 08 | 0581014143 | SWIVEL OIL BATH BEARING WEAR PLATE | | 01 |



| Item | Code | Description | See page | QT |
|------|------------|--------------------------------|----------|----|
| 01 | 0502012839 | BEARING HOUSING 182/192,5 | | 01 |
| 02 | 0502040060 | AXLE CM/DM 182/192,5 SKF 32210 | | 01 |
| 03 | 0503010006 | 32210 ROLLER BEARING | | 02 |
| 04 | 0502010541 | SEAL HOLDER | | 02 |
| 05 | 0503030026 | SEAL LP JB-253 | | 02 |
| 06 | 0502020424 | HOUSING CAP 182/192,225 | | 01 |
| 07 | 0503030013 | 4.4" X 3.5" X 0.004" JOINT | | 02 |
| 08 | 0503030684 | 4.4" X 3.5" X 0.004" JOINT | | 01 |
| 09 | 0503010134 | 3/8" X 1" BOLT | | 04 |
| 10 | 0502010070 | OUTER FLANGE | | 01 |
| 11 | 0502010071 | INNER FLANGE | | 01 |
| 12 | 0503010856 | OIL PLUG R 3/8 BSPT | | 02 |



MARCHESAN

Technical Publications | Elaboration and Revision

LUIZ CANDIDO

www.marchesan.com.br

