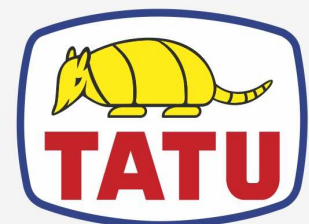


**HINGE TYPE OFFSET DISK HARROW**

**GNM 36/40/44/48/52D - AXIS 1.1/4"**  
**GNM 36/40/44/48/52D - EIXO 1.1/4"**

**Code:** 0501099047  
**Series:** S-0222  
**Revision:** 00  
**Revision Date:** JULY/2024

# PARTS CATALOGUE



**MARCHESAN**



# PRODUCTS

Code	Working Width	Description
0102120437		GNM 36 X 20 X 3,50 MT DMO E 1.1/4 S-0222
0102120440		GNM 36 X 22 X 3,50 DR DMO E 1.1/4 S-0222
0102120442		GNM 36 X 22 X 3,50 MT DMO E 1.1/4 S-0222
0102120444		GNM 36 X 22 X 4,50 MT DMO E 1.1/4 S-0222
0102120448		GNM 40 X 20 X 3,50 MT DMO E 1.1/4 S-0222
0102120451		GNM 40 X 22 X 3,50 MT DMO E 1.1/4 S-0222
0102120454		GNM 40 X 22 X 4,50 MT DMO E 1.1/4 S-0222
0102120457		GNM 44 X 20 X 3,50 MT DMO E 1.1/4 S-0222
0102120461		GNM 44 X 22 X 3,50 DR DMO E 1.1/4 S-0222
0102120463		GNM 44 X 22 X 3,50 MT DMO E 1.1/4 S-0222
0102120466		GNM 44 X 22 X 4,50 MT DMO E 1.1/4 S-0222
0102120470		GNM 48 X 20 X 3,50 MT DMO E 1.1/4 S-0222
0102120472		GNM 48 X 22 X 3,50 DR DMO E 1.1/4 S-0222
0102120474		GNM 48 X 22 X 3,50 MT DMO E 1.1/4 S-0222
0102120477		GNM 48 X 22 X 4,50 DR DMO E 1.1/4 S-0222
0102120479		GNM 48 X 22 X 4,50 MT DMO E 1.1/4 S-0222
0102120482		GNM 52 X 20 X 3,50 MT DMO E 1.1/4 S-0222
0102120485		GNM 52 X 22 X 3,50 MT DMO E 1.1/4 S-0222
0102120488		GNM 52 X 22 X 4,50 MT DMO E 1.1/4 S-0222

## ATTENTION: IMPORTANT

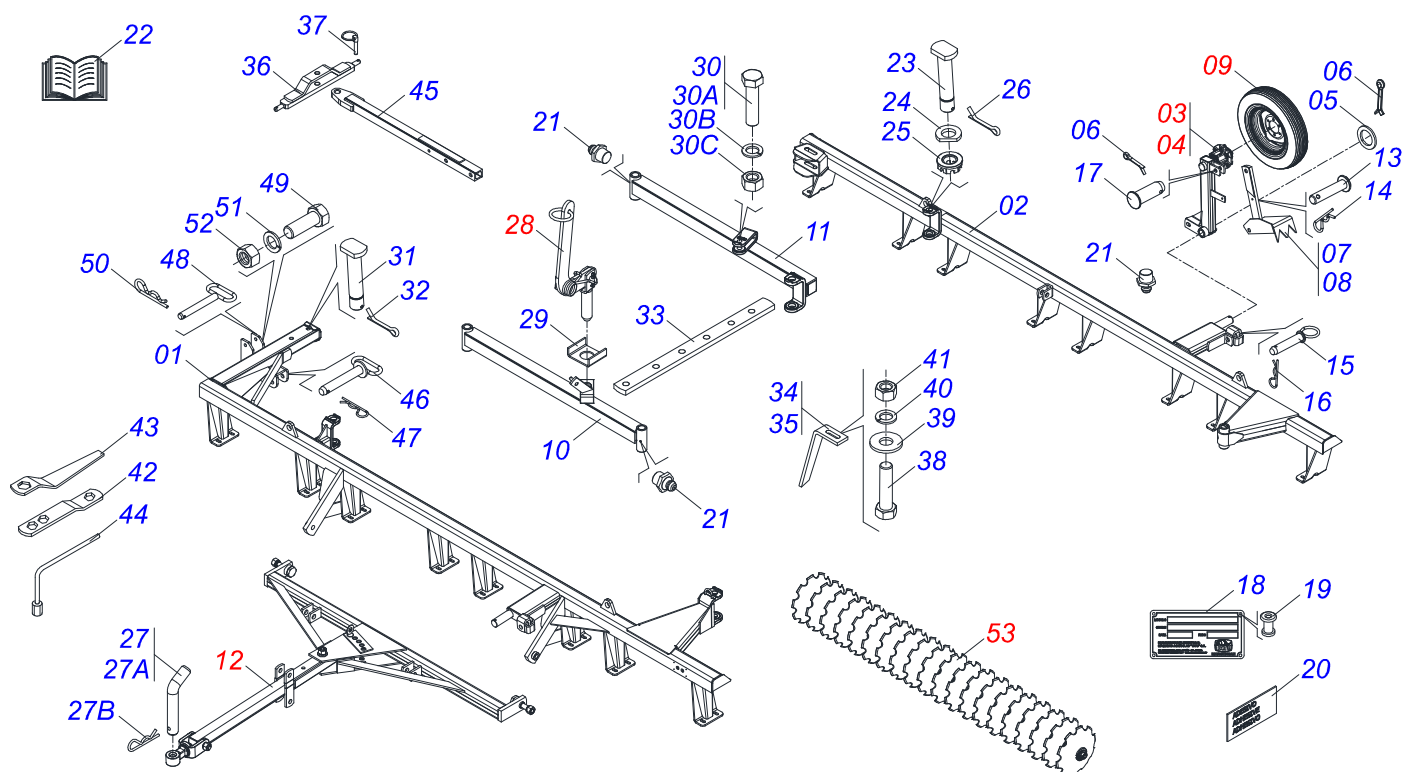
Marchesan S.A. reserves the right to improve and/or modify the technical features of its products, without obligation to do the same with those products already sold and without prior knowledge of the dealer or the customer. The photos are only illustrative.



# INDEX

0909097317	FRAME ASSY	.....	1
0501051638	LEFT STUB SHAFT & HUB ASSY	.....	2
0501051637	RIGHT STUB SHAFT & HUB ASSY	.....	3
0501051142	CARRYING WHEEL HUB	.....	4
0501043081	DRAWBAR ASSY	.....	5
0501043082	DRAWBAR ASSY	.....	6
0503060094	WHEEL AND TIRE ASSY	.....	7
0501047858	ADJUSTMENT LEVER ASSY	.....	8
0909097318	DISC GANG ASSY	.....	9
0521047189	7.58" X 1.1/4" BEARING WITH PROTECTION	.....	10
0521050842	7.58" X 1.1/4" BEARING	.....	11

FRAME ASSY



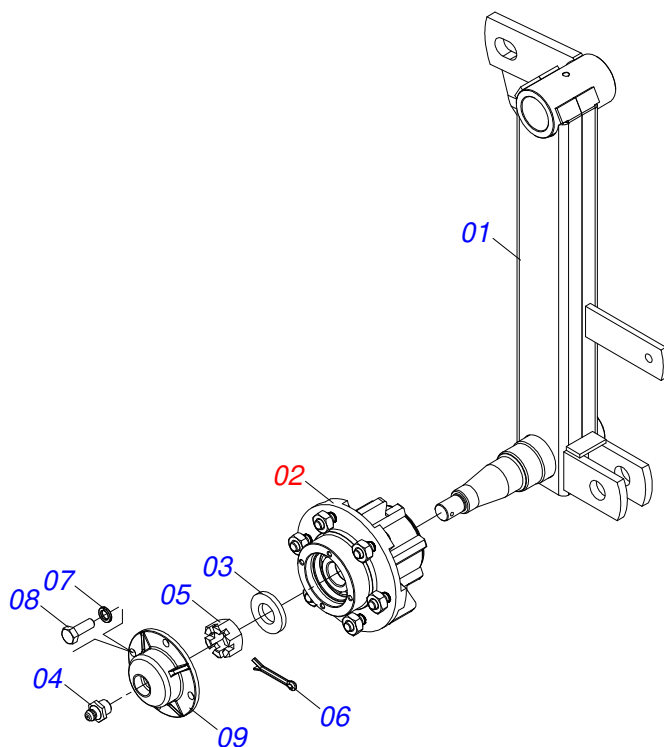
Item	Code	Description	See page	36	40	44	48	52
01	0501064671	FRONT FRAME - 36		01	00	00	00	00
01.	0501064672	FRONT FRAME - 40		00	01	00	00	00
01..	0501066744	REAR FRAME - 44		00	00	01	00	00
01...	0521062638	FRONT FRAME - 48		00	00	00	01	00
01....	0501064678	FRONT FRAME - 52		00	00	00	00	01
02	0501064623	REAR FRAME - 36		01	00	00	00	00
02.	0501064617	REAR FRAME - 40		00	01	00	00	00
02..	0501066745	REAR FRAME - 44		00	00	01	00	00
02...	0521066098	REAR FRAME - 48		00	00	00	01	00
02....	0501064610	REAR FRAME - 52		00	00	00	00	01
03	0501051638	LEFT STUB SHAFT & HUB ASSY	2	01	01	01	01	01
04	0501051637	RIGHT STUB SHAFT & HUB ASSY	3	01	01	01	01	01
05	0501015875	FLAT WASHER 53,2/53,7X80X6,3N		02	02	02	02	02
06	0503010571	1/4" X 1.1/2" SPLIT PIN		02	02	02	02	02
07	0501060598	DRAWBAR JACK		01	01	01	01	01
08	0501060597	RIGHT DRAWBAR JACK		01	01	01	01	01
09	0503060094	WHEEL AND TIRE ASSY	7	02	02	02	02	02
10	0501064509	FRONT STABILIZER BAR		01	01	01	01	01
11	0501064508	REAR STABILIZER BAR 1360		01	01	01	01	01
12	0501043081	DRAWBAR ASSY	5	01	01	01	01	00
12.	0501043082	DRAWBAR ASSY	6	00	00	00	00	01
13	0521010625	0.4" X 2" COUPLING SHAFT		02	02	02	02	02
14	0503030168	HITCH PIN CLIP		02	02	02	02	02
15	0521066143	JUNCTION SHAFT		02	02	02	02	02
16	0503030012	HITCH PIN CLIP		03	03	03	03	03
17	0521010592	1.1" X 3.1" COUPLING SHAFT		04	04	04	04	04
18	0503034003	61 X 118 SERIAL NUMBER TAG		01	01	01	01	01
19	0503010001	RIVET 3,2 X 5,5		04	04	04	04	04
20	0503031428	ATTENTION READ MANUAL DECAL		01	01	01	01	01
20.	0503031827	DAILY LUBRICATION AND RETIGHTENING DECAL		01	01	01	01	01
20..	0503034569	ADHESIVE LABEL		01	01	01	01	01
20...	0503035341	ADHESIVE LABEL		01	01	01	01	01



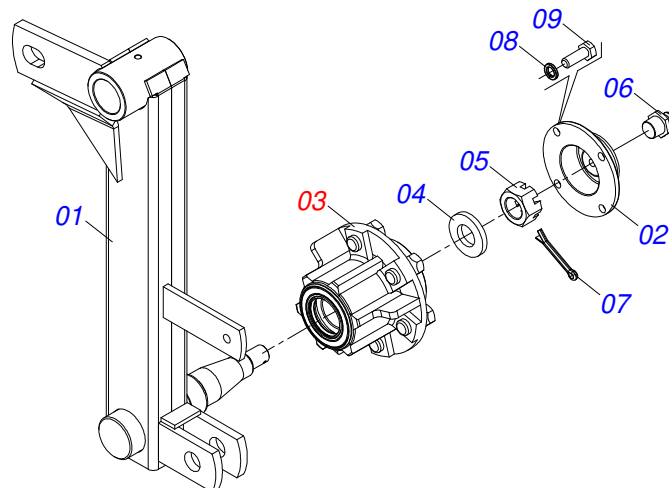
## FRAME ASSY

0909097317

Item	Code	Description	See page	36	40	44	48	52
20....	0503034438	ADHESIVE LABEL		01	01	01	01	01
21	0503010002	1800 GREASE FITTING		06	06	06	06	06
22	0501030523	PLASTIC COVER WITH INSTRUCTIONS MANUAL		01	01	01	01	01
23	0531019497	1.5" X 9.2" ARTICULATED AXIS		04	04	04	04	04
24	0531019540	FLAT WASHER		03	03	03	03	03
25	0501011301	1.1/2" UNC 6FPP 2.5/16" NUT		04	04	04	04	04
26	0503010010	1/4" X 2.1/2" SPLIT PIN		04	04	04	04	04
27	0501040343	HITCH AXIS ASSY		01	01	01	01	01
27A	0521010453	JOINT AXIS		01	01	01	01	01
27B	0503031035	HITCH PIN CLIP		01	01	01	01	01
28	0501047858	ADJUSTMENT LEVER ASSY	8	01	01	01	01	01
29	0501011649	U 1.2" X 3.1" X 3/16" BAR		01	01	01	01	01
30	0501040852	1" X 4" BOLT ASSY		01	01	01	01	01
30A	0503011432	BOLT		01	01	01	01	01
30B	0503010012	1" SPRING WASHER		01	01	01	01	01
30C	0501010059	1.5/8 NUT		01	01	01	01	01
31	0521010644	1.5" X 8.4" COUPLING SHAFT		01	01	01	01	01
32	0503010534	3/8" X 2.1/2" SPLIT PIN		01	01	01	01	01
33	0501064197	ADJUSTMENT BAR		01	01	01	01	01
34	0501063963	FRONT SCRAPER		11	13	13	15	17
35	0501063962	REAR SCRAPER		11	13	13	15	17
36	0521062443	BAR FOR TRANSPORT		01	01	01	01	01
37	0503030430	7/16 X 2" PIN LOCK		02	02	02	02	02
38	0503011082	C1/2" X 1.3/4" SCREW		44	52	52	60	68
39	0511017302	FLAT WASHER 13,50 X 32,50 X 3,0 ZN		44	52	52	60	68
40	0503010019	1/2" SPRING WASHER		44	52	52	60	68
41	0503010060	1/2 UNC G.5 ZN HEX NUT		44	52	52	60	68
42	0511018451	5/8" X 3/4" X 1" UNIVERSAL		01	01	01	01	01
43	0501010198	1-1/4" CABLE FLAT WRENCH		02	02	02	02	02
44	0501068273	5/8" WRENCH		02	02	02	02	02
45	0531068973	TRACTION BAR FOR HYDRAULIC TRANSPORTATION 1412		01	01	01	01	01
46	0521067644	JUNCTION SHAFT 25,40 X 140		01	01	01	01	01
47	0503030012	HITCH PIN CLIP		01	01	01	01	01
48	0521064088	LOCK AXLE		01	01	01	01	01
49	0501010372	1" X 5-1/2" BOLT		01	01	01	01	01
50	0503031035	HITCH PIN CLIP		01	01	01	01	01
51	0503010012	1" SPRING WASHER		01	01	01	01	01
52	0503012182	1" NUT		01	01	01	01	01
53		DISC GANG ASSY	9					

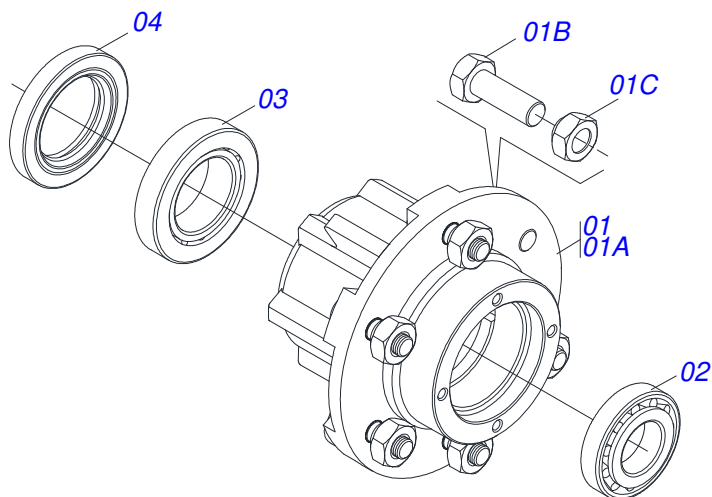


Item	Code	Description	See page	QT
01	0501069091	LEFT CARRYING-W FIXATION SUPPORT		01
02	0501051142	CARRYING WHEEL HUB	4	01
03	0501016545	FLAT WASHER		01
04	0503010002	1800 GREASE FITTING		01
05	0503030009	1" CASTLE NUT		01
06	0503010018	5/32" X 1-1/2" SPLIT PIN		01
07	0503011444	SPRING WASHER 5/16"		04
08	0503010358	5/16" X 5/8" BOLT		04
09	0502020591	PROTECTION LID		01



Item	Code	Description	See page	QT
01	0501068991	RIG CARRYING-WHEEL FIXATION SUPPORT		01
02	0502020591	PROTECTION LID		01
03	0501051142	CARRYING WHEEL HUB	4	01
04	0501016545	FLAT WASHER		01
05	0503030009	1" CASTLE NUT		01
06	0503010002	1800 GREASE FITTING		01
07	0503010018	5/32" X 1-1/2" SPLIT PIN		01
08	0503011444	SPRING WASHER 5/16"		04
09	0503010358	5/16" X 5/8" BOLT		04

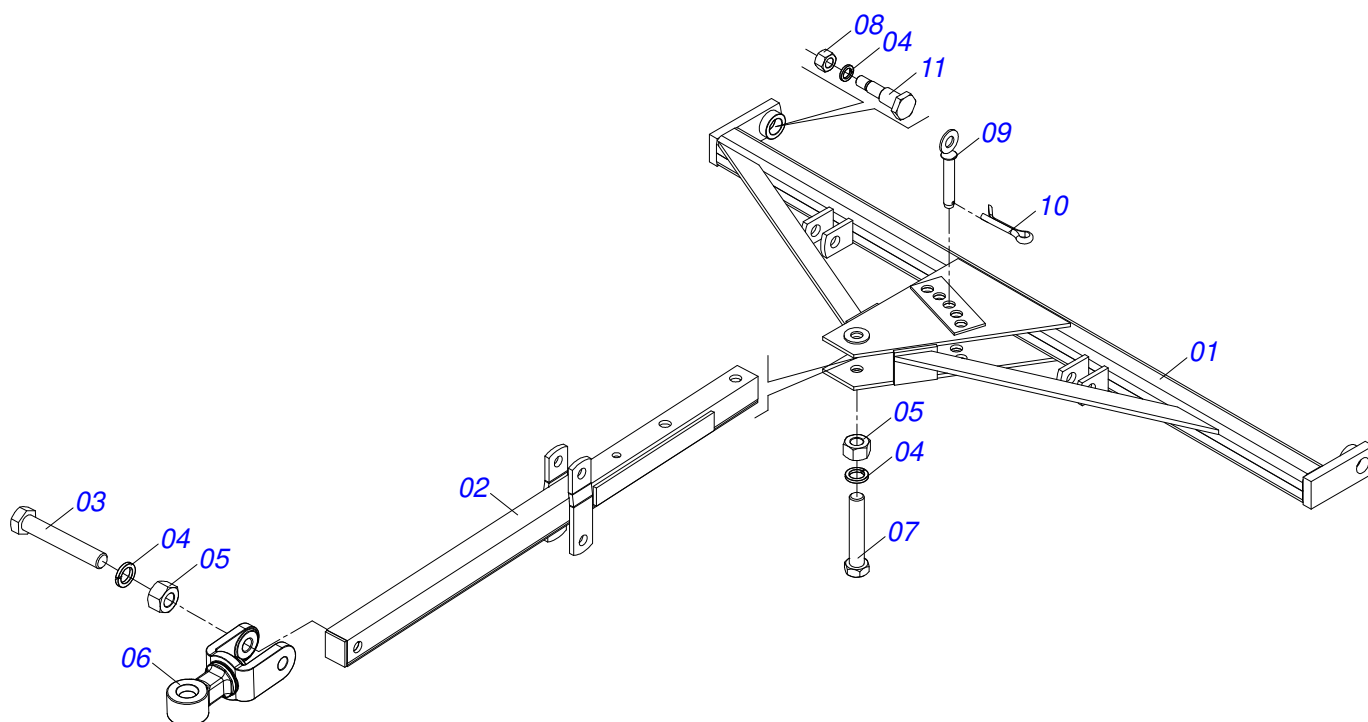
CARRYING WHEEL HUB



Item	Code	Description	See page	QT
01	0501110728	WHEEL HUB		01
01A	0502011121	CARRYING WHEEL HUB		01
01B	0501010127	9/16" X 1-7/8" LUG BOLT		06
01C	0503010035	9/16" CONIC NUT		06
02	0503010037	30207 ROLLER BEARING		01
03	0503010006	32210 ROLLER BEARING		01
04	0503012928	SEAL		01

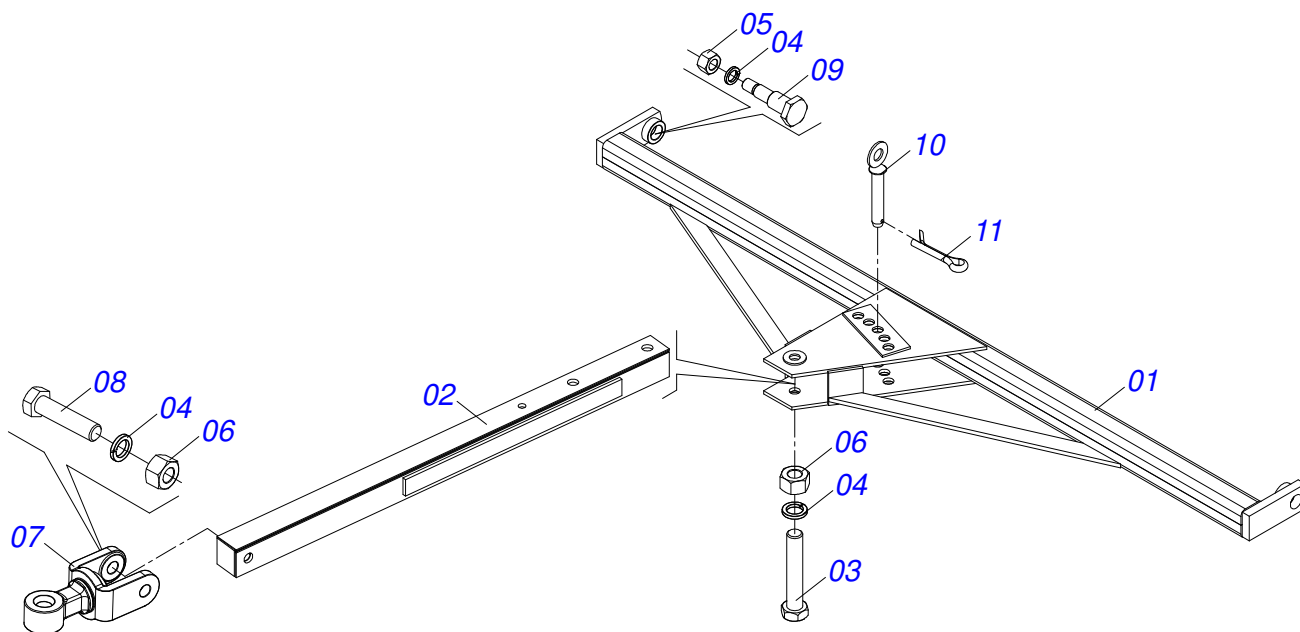


DRAWBAR ASSY

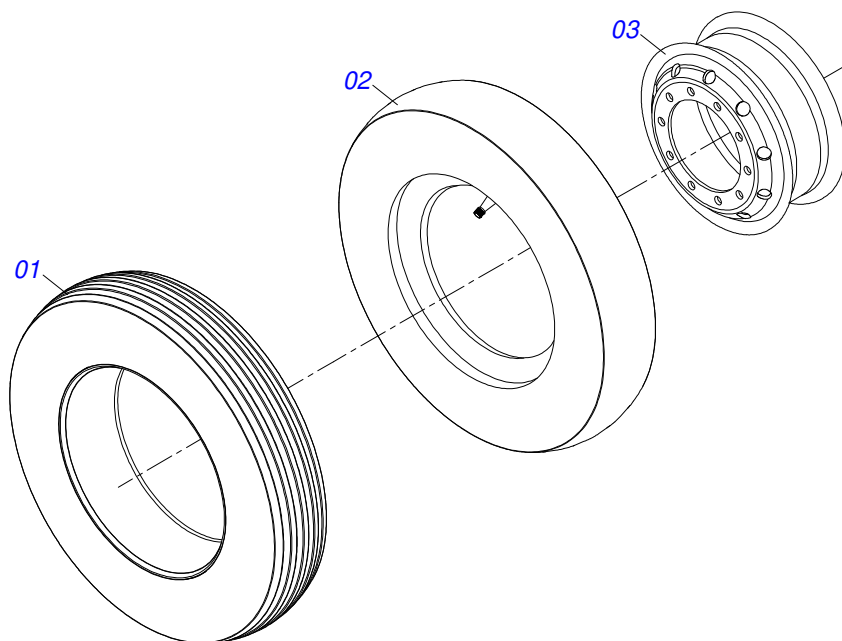


Item	Code	Description	See page	QT
01	0501064919	OFFSET BAR FOR TRANSP HYDRAULIC		01
02	0501064878	DRAWBAR ASSY		01
03	0501010372	1" X 5-1/2" BOLT		01
04	0503011438	SPRING WASHER		04
05	0501010059	1.5/8 NUT		02
06	0521062444	TRACTOR HITCH		01
07	0501010191	1" X 6" BOLT		01
08	0503010340	1" NUT		02
09	0501068993	0.9" X 5.5" COUPLING SHAFT		01
10	0503010571	1/4" X 1.1/2" SPLIT PIN		01
11	0501018191	HITCH BAR BOLT		02

DRAWBAR ASSY

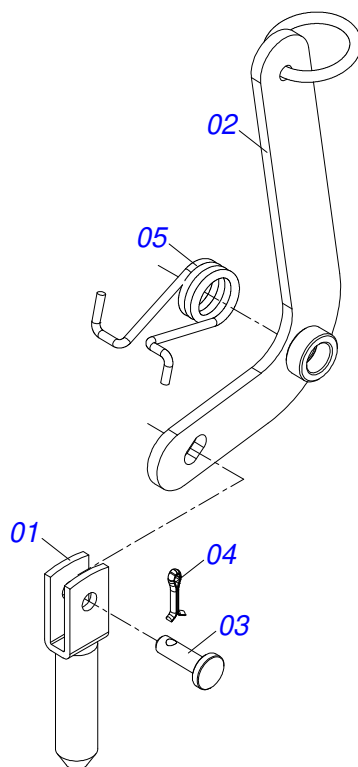


Item	Code	Description	See page	QT
01	0501064920	89.4" OFFSET BAR		01
02	0501060188	DRAWBAR ASSY		01
03	0501010191	1" X 6" BOLT		01
04	0503010012	1" SPRING WASHER		04
05	0503010340	1" NUT		02
06	0501010059	1.5/8 NUT		02
07	0521061775	TRACTOR HITCH		01
08	0501010060	1" X 6-1/2" BOLT		01
09	0501018191	HITCH BAR BOLT		02
10	0501068993	0.9" X 5.5" COUPLING SHAFT		01
11	0503010523	1/4 X 2 SPLIT PIN		01

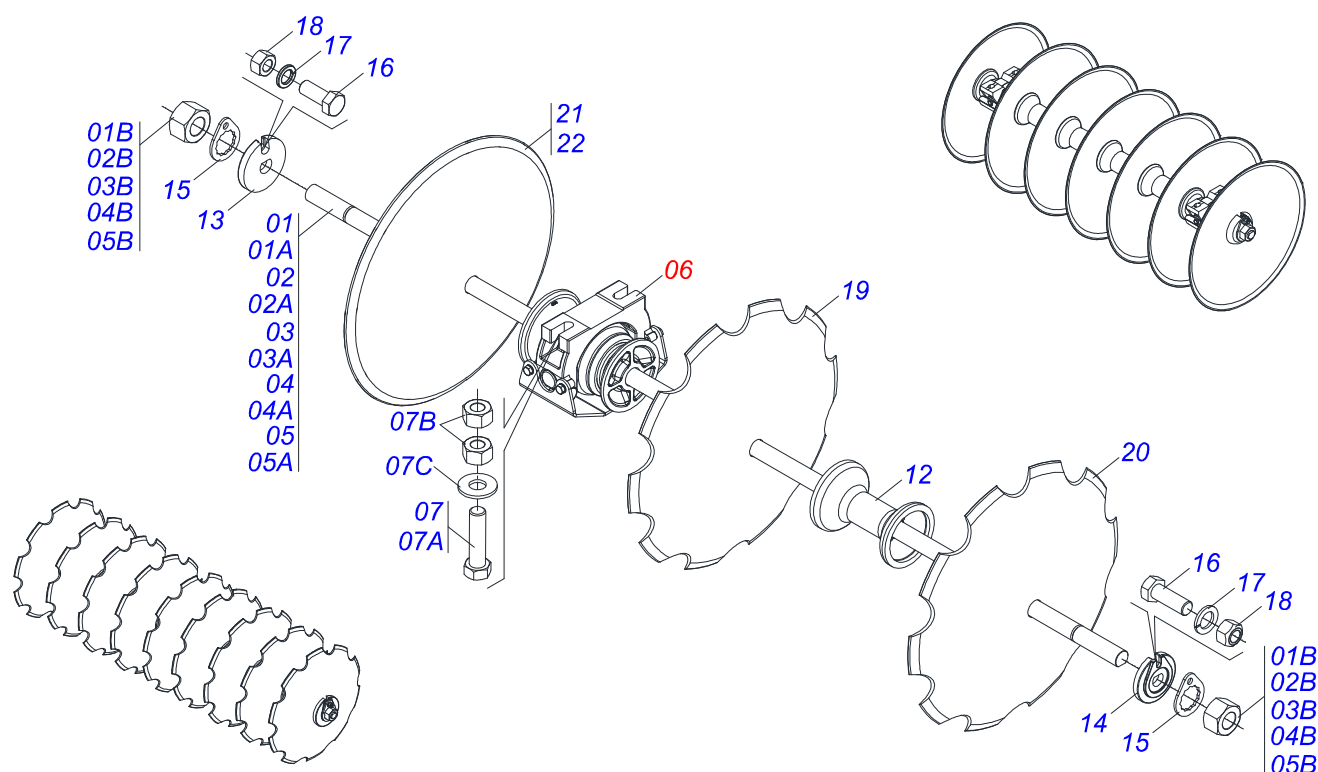


Item	Code	Description	See page	QT
01	0503010065	CANVAS TIRE		01
02	0503010068	6.00 X 16 INNER TIRE		01
03	0503010894	0.2"X0.6"X4.6"X6F0.6"X6" WHEEL		01

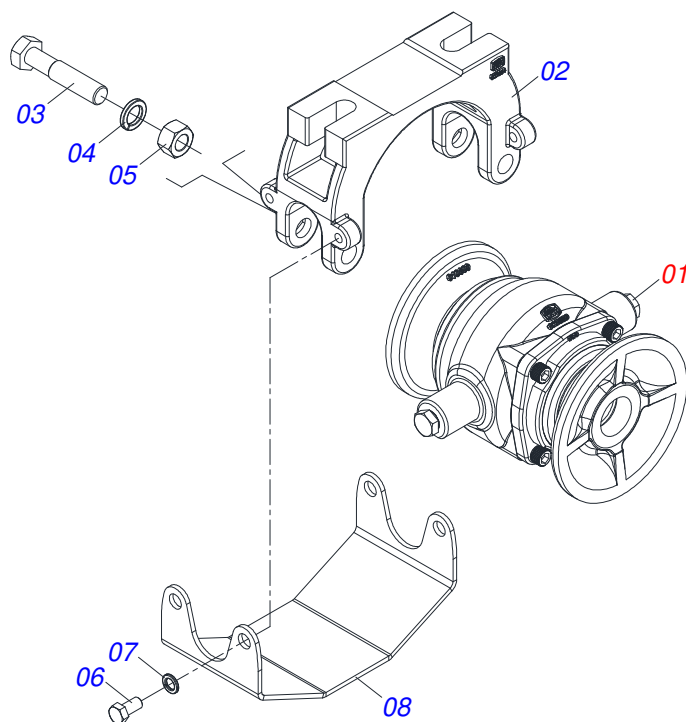
ADJUSTMENT LEVER ASSY



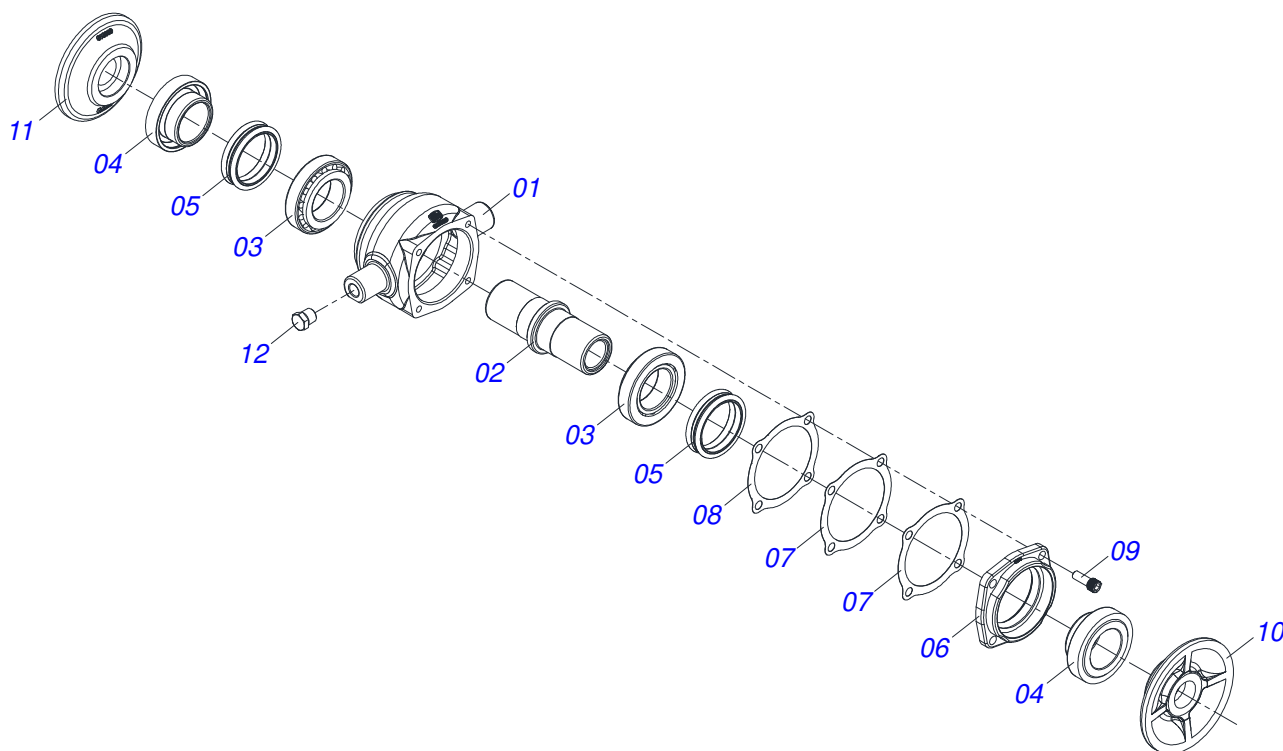
Item	Code	Description	See page	QT
01	0501060185	ADJUSTMENT LOCK		01
02	0501068981	ADJUSTMENT LEVER		01
03	0521010624	0.4" X 1.5" COUPLING SHAFT		01
04	0503010071	3/16" X 1" SPLIT PIN		01
05	0503030025	1.4" X 0.2" TORSION SPRING		01



Item	Code	Description	See page	36	40	44	48	52
01	0501040694	1-1/4" X 66" AXLE WITH NUTS		04	00	00	00	00
01A	0501010439	1-1/4" X 66" AXLE		01	00	00	00	00
01B	0501010087	1.1/4" NUT		02	00	00	00	00
02	0501042947	1-1/4" X 74" AXLE WITH NUTS		00	04	00	00	00
02A	0501017377	1-1/4" X 74" AXLE		00	01	00	00	00
02B	0501010087	1.1/4" NUT		00	02	00	00	00
03	0501042262	1-1/4" X 35" AXLE WITH NUTS		00	00	04	00	00
03A	0501016647	1-1/4" X 35" AXLE		00	00	01	00	00
03B	0501010087	1.1/4" NUT		00	00	02	00	00
04	0501042201	1.1/4" X 1090 AXLE WITH NUTS		00	00	04	04	04
04A	0501016649	1.1/4" X 1090 AXLE		00	00	01	01	01
04B	0501010087	1.1/4" NUT		00	00	02	02	02
05	0501042202	1-1/4" X 50" AXLE WITH NUTS		00	00	00	00	04
05A	0501016650	1-1/4" X 50" AXLE		00	00	00	00	01
05B	0501010087	1.1/4" NUT		00	00	00	00	02
06	0521047189	7.58" X 1.1/4" BEARING WITH PROTECTION	10	12	12	16	08	16
07	0521059224	BOLT ASSEMBLY 5/8 UNC X 2.3/4		24	24	32	16	32
07A	0501013233	5/8" X 2-3/4" BOLT		01	01	01	01	01
07B	0503010013	5/8 UNC G.5 ZN HEX NUT		02	02	02	02	02
07C	0501012140	FLAT WASHER 16,50 X 40 X 4,00 ZN		01	01	01	01	01
12	0502010549	7.6" X 1-1/4" SPACER		20	24	20	12	28
13	0502010834	1-1/4" INNER AXLE WASHER		04	04	08	04	08
14	0502010835	1-1/4" EXTERNAL AXLE WASHER		04	04	08	04	08
15	0501010455	1.1/4" NUT LOCK		08	08	16	08	16
16	0503010395	1/2" X 1-1/4" BOLT		08	08	16	08	16
17	0503010019	1/2" SPRING WASHER		08	08	16	08	16
18	0503010060	1/2 UNC G.5 ZN HEX NUT		08	08	16	18	16
19	0602027340	DR 20 X 3,50 C57AF02FR1.5/16 10R		36	40	44	48	52
20	0602029420	DR 22 X 3,50 C64AF02FR1.5/16 D126 10R		36	40	44	48	52
21	0601027301	DL 20 X 3,50 C57AF02FR1.5/16		36	40	44	48	52
21.	0601025251	DL 18 X 3,50 C45AF02FR1.5/16		36	40	44	48	52
22	0601029418	DL 22 X 3,50 C64AF02FR1.5/16 D126		36	40	44	48	52



Item	Code	Description	See page	QT
01	0521050842	7.58" X 1.1/4" BEARING	11	01
02	0502012854	BEARING SUPPORT 182/192,5		01
03	0501011541	5/8 UNC X 3 CS G.5 ZN1K28066 BOLT		02
04	0503010027	5/8 SPRING WASHER		02
05	0503010013	5/8 UNC G.5 ZN HEX NUT		02
06	0503011334	3/8 UNC X 3/4 CS G.5 ZN BOLT		04
07	0503010025	3/8" SPRING WASHER		04
08	0581014143	SWIVEL OIL BATH BEARING WEAR PLATE		01



Item	Code	Description	See page	QT
01	0502012839	BEARING HOUSING 182/192,5		01
02	0502040060	AXLE CM/DM 182/192,5 SKF 32210		01
03	0503010006	32210 ROLLER BEARING		02
04	0502010541	SEAL HOLDER		02
05	0503030026	SEAL LP JB-253		02
06	0502020424	HOUSING CAP 182/192,225		01
07	0503030013	4.4" X 3.5" X 0.004" JOINT		02
08	0503030684	4.4" X 3.5" X 0.004" JOINT		01
09	0503010134	3/8" X 1" BOLT		04
10	0502010070	OUTER FLANGE		01
11	0502010071	INNER FLANGE		01
12	0503010856	OIL PLUG R 3/8 BSPT		02







**MARCHESAN**

**Technical Publications | Elaboration and Revision**

LUIZ CANDIDO

[www.marchesan.com.br](http://www.marchesan.com.br)

