

HINGE TYPE OFFSET DISK HARROW

GN 44D - 04 AXLES - 1.1/4"
GN 44D - 04 EIXOS - 1.1/4"

Code: 0501099046
Series: S-0222
Revision: 00
Revision Date: JUNE/2024

PARTS CATALOGUE



MARCHESAN



PRODUCTS

Code	Working Width	Description
0102110722		GN 44 X 22 X 3,50 MT DMO E 1.1/4 4 EIXOS S-0222

ATTENTION: IMPORTANT

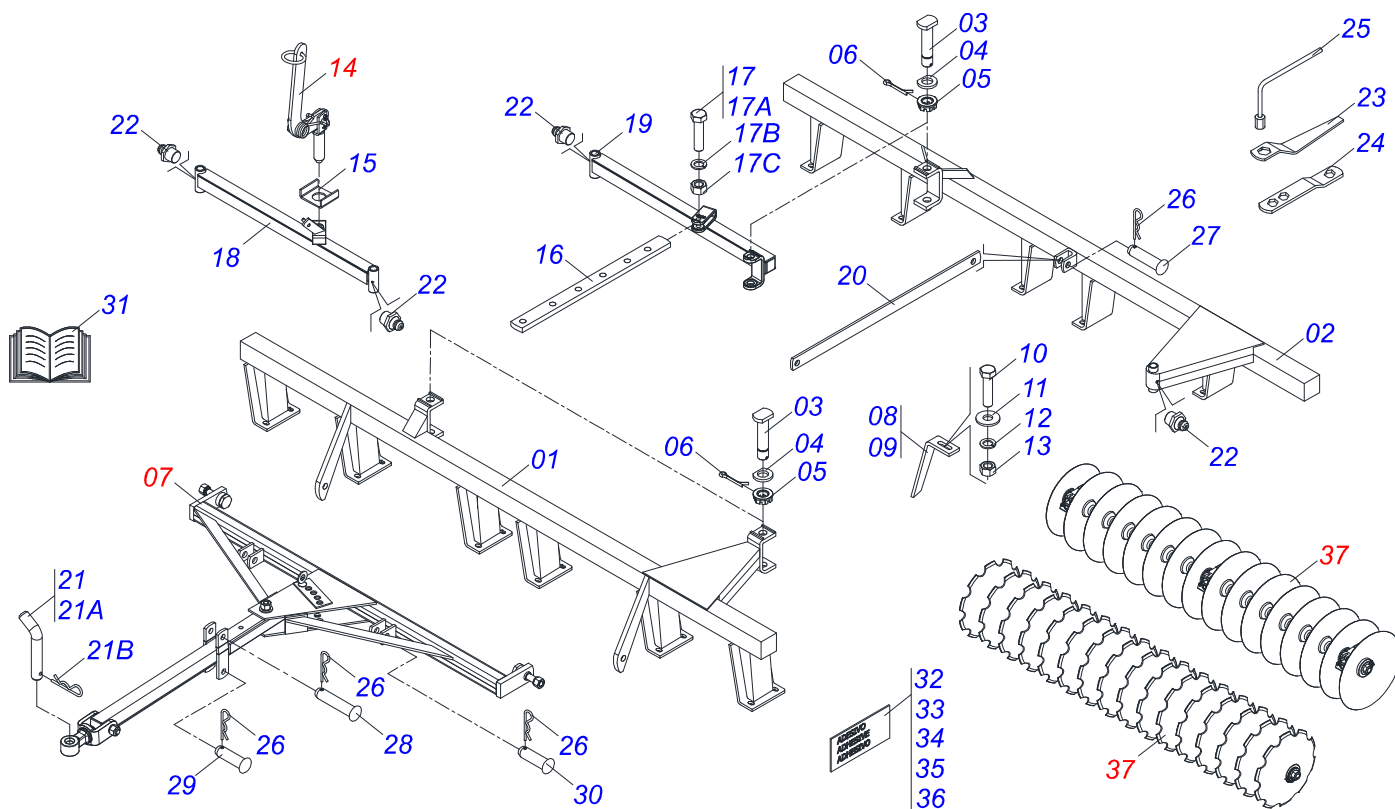
Marchesan S.A. reserves the right to improve and/or modify the technical features of its products, without obligation to do the same with those products already sold and without prior knowledge of the dealer or the customer. The photos are only illustrative.



MARCHESAN

INDEX

0909097245	ASSY FRAME	1
0501043081	DRAWBAR ASSY	2
0501047858	ADJUSTMENT LEVER ASSY	3
0909097246	DISC GANG ASSY	4
0521047189	7.58" X 1.1/4" BEARING WITH PROTECTION	5
0521050842	7.58" X 1.1/4" BEARING	6



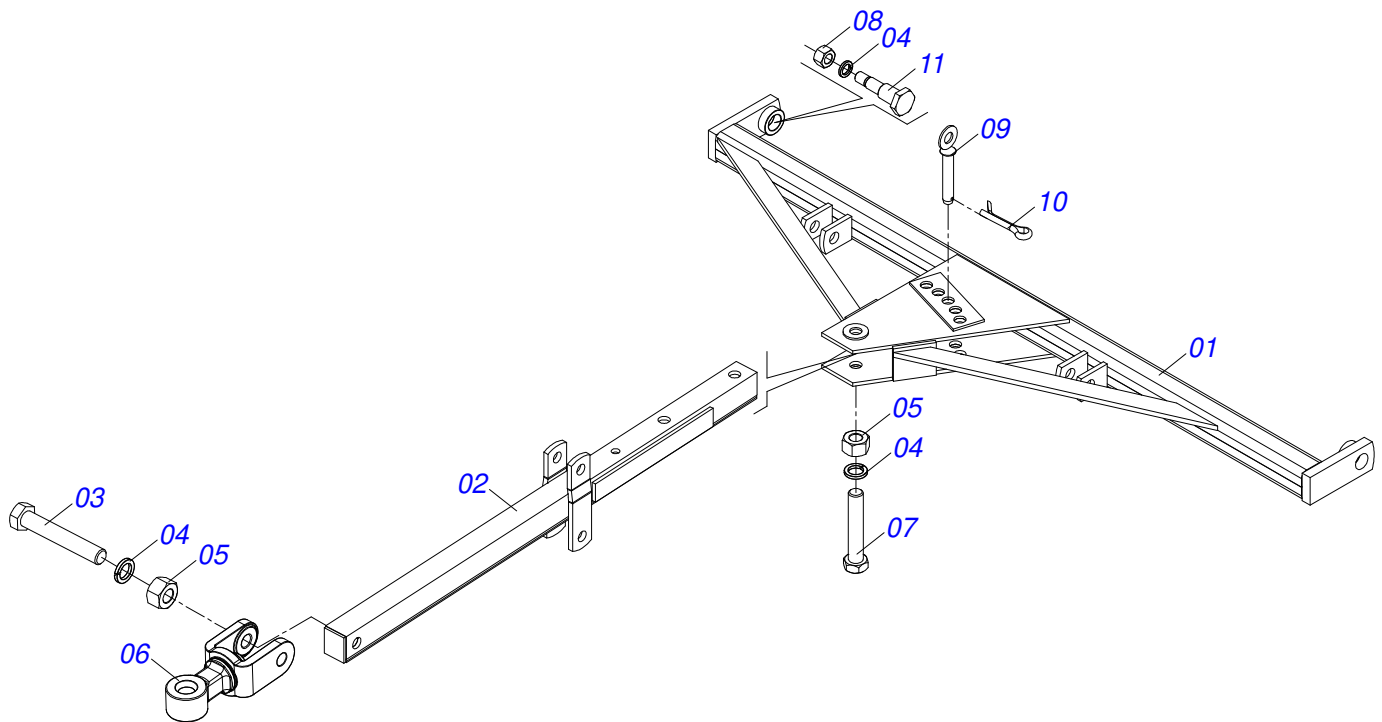
Item	Code	Description	See page	QT
01	0511065579	FRONT FRAME - 44D		01
02	0511065580	REAR FRAME - 44D		01
03	0531019497	1.5" X 9.2" ARTICULATED AXIS		04
04	0531019540	FLAT WASHER		04
05	0501011301	1.1/2" UNC 6FPP 2.5/16" NUT		04
06	0503010010	1/4" X 2.1/2" SPLIT PIN		04
07	0501043081	DRAWBAR ASSY	2	01
08	0501063963	FRONT SCRAPER		15
09	0501063962	REAR SCRAPER		15
10	0503011082	C1/2" X 1.3/4" SCREW		60
11	0511017302	FLAT WASHER 13,50 X 32,50 X 3,0 ZN		60
12	0503010019	1/2" SPRING WASHER		60
13	0503010060	1/2 UNC G.5 ZN HEX NUT		60
14	0501047858	ADJUSTMENT LEVER ASSY	3	01
15	0501011649	U 1.2" X 3.1" X 3/16" BAR		01
16	0501064197	ADJUSTMENT BAR		01
17	0501040852	1" X 4" BOLT ASSY		01
17A	0503011432	BOLT		01
17B	0503011438	SPRING WASHER		01
17C	0501010059	1.5/8 NUT		01
18	0501064509	FRONT STABILIZER BAR		01
19	0501064508	REAR STABILIZER BAR 1360		01
20	0501018945	45" ATTACHMENT BAR		01
21	0501040343	HITCH AXIS ASSY		01
21A	0501010523	DRAWBOLT		01
21B	0503010571	1/4" X 1.1/2" SPLIT PIN		01
22	0503010002	1800 GREASE FITTING		04
23	0501010198	1-1/4" CABLE FLAT WRENCH		02
24	0511018451	5/8" X 3/4" X 1" UNIVERSAL		01
25	0501068273	5/8" WRENCH		01
26	0503031035	HITCH PIN CLIP		05
27	0521010573	0.9" X 3.1" COUPLING SHAFT		01



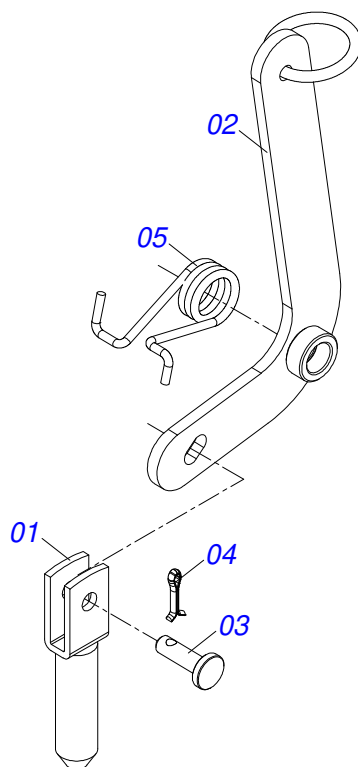
ASSY FRAME

Item	Code	Description	See page	QT
28	0521010578	COUPLING SHAFT		01
29	0521010579	COUPLING SHAFT		01
30	0521010595	1.1" X 4.3" COUPLING SHAFT		02
31	0501030513	BAG WITH INSTRUCTION MANUAL		01
32	0503034021	LABEL ADHESIVE GN		01
33	0503035341	ADHESIVE LABEL		01
34	0503031428	ATTENTION READ MANUAL DECAL		01
35	0503031087	AUTO CONTROL APPROVED DECAL		01
36	0503031827	DAILY LUBRICATION AND RETIGHTENING DECAL		01
37		DISC GANG ASSY	4	

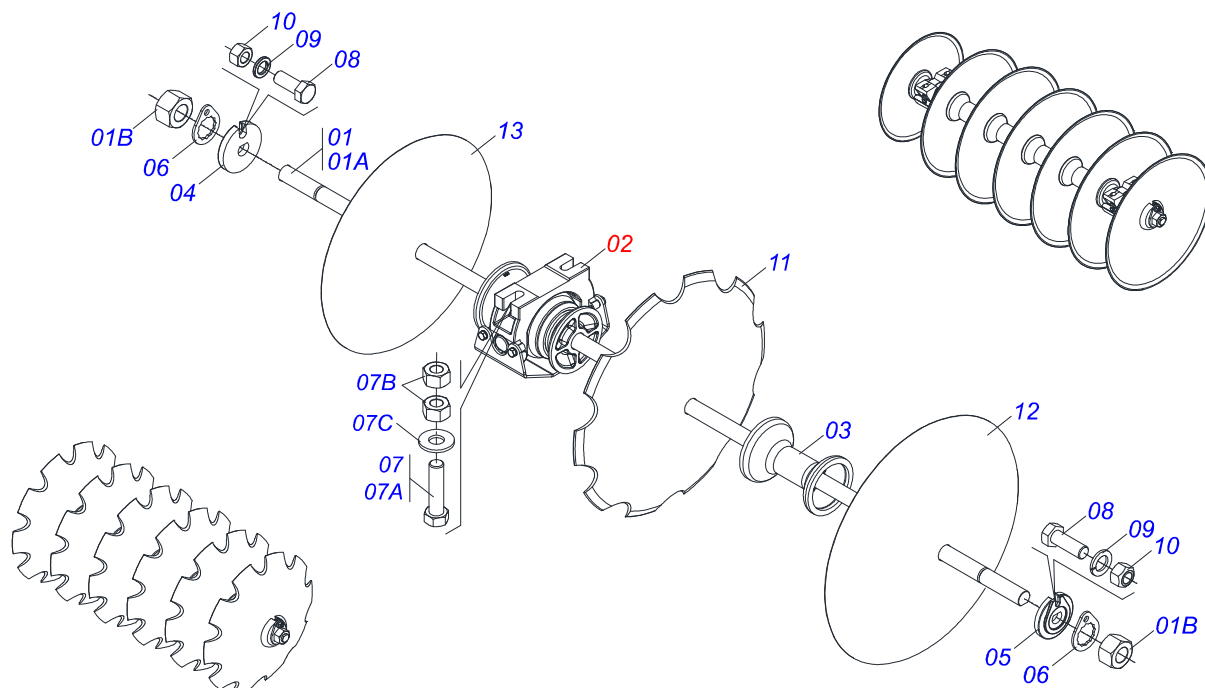
DRAWBAR ASSY



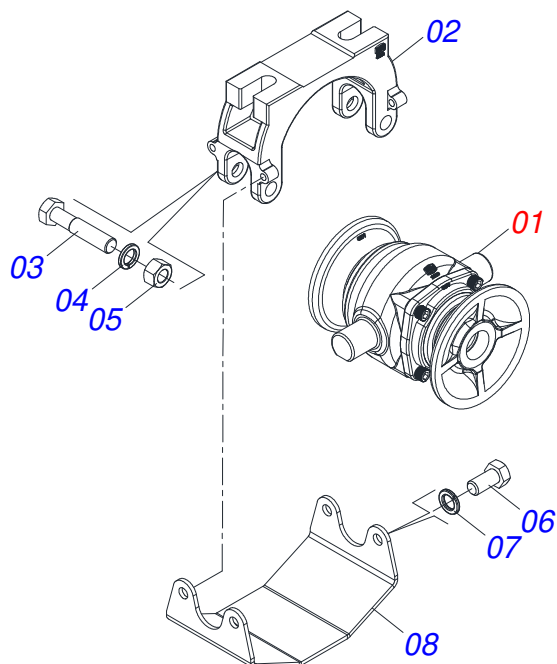
Item	Code	Description	See page	QT
01	0501064919	OFFSET BAR FOR TRANSP HYDRAULIC		01
02	0501064878	DRAWBAR ASSY		01
03	0501010372	1" X 5-1/2" BOLT		01
04	0503011438	SPRING WASHER		04
05	0501010059	1.5/8 NUT		02
06	0521062444	TRACTOR HITCH		01
07	0501010191	1" X 6" BOLT		01
08	0503010340	1" NUT		02
09	0501068993	0.9" X 5.5" COUPLING SHAFT		01
10	0503010571	1/4" X 1.1/2" SPLIT PIN		01
11	0501018191	HITCH BAR BOLT		02



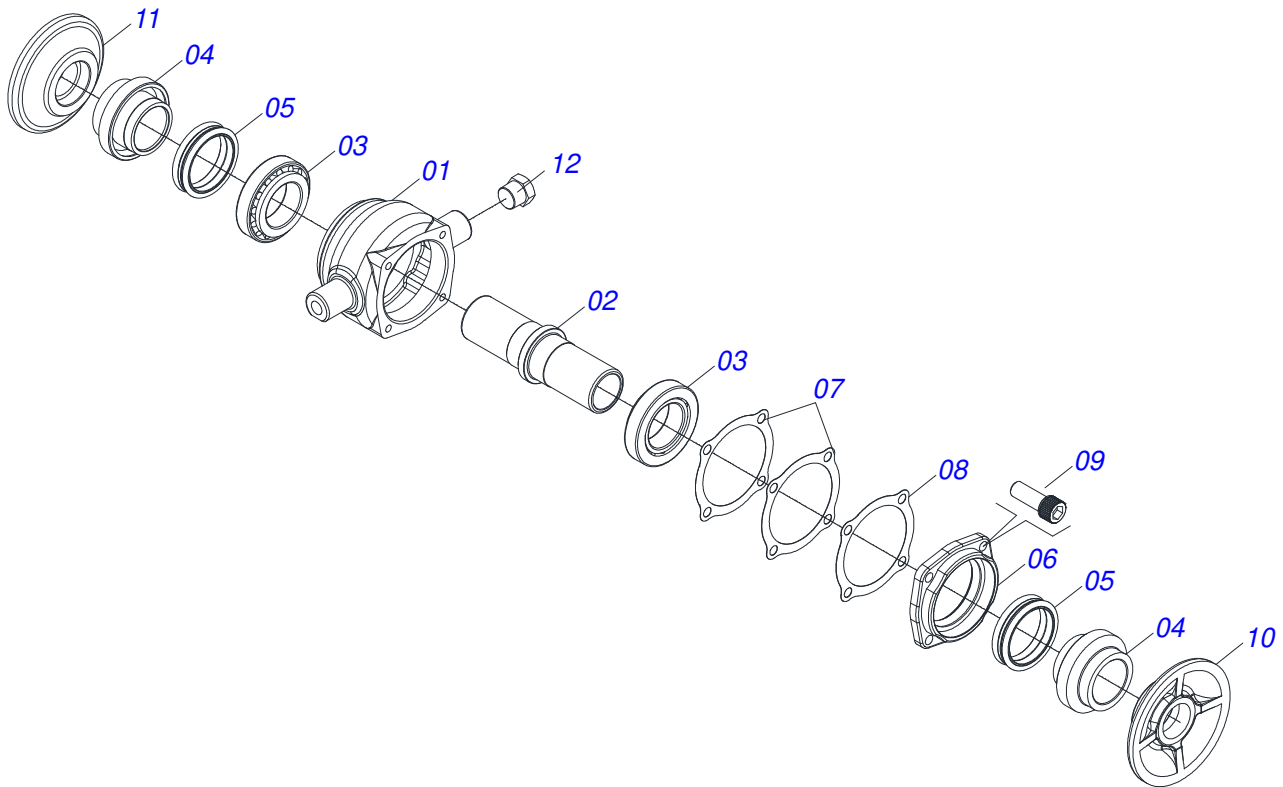
Item	Code	Description	See page	QT
01	0501060185	ADJUSTMENT LOCK		01
02	0501068981	ADJUSTMENT LEVER		01
03	0521010624	0.4" X 1.5" COUPLING SHAFT		01
04	0503010071	3/16" X 1" SPLIT PIN		01
05	0503030025	1.4" X 0.2" TORSION SPRING		01



Item	Code	Description	See page	QT
01	0501042948	1-1/4" X 81.6" AXLE WITH NUTS		04
01A	0501017361	1-1/4" X 81.6" AXLE		01
01B	0501010087	1.1/4" NUT		02
02	0521047189	7.58" X 1.1/4" BEARING WITH PROTECTION	5	12
03	0502010549	7.6" X 1-1/4" SPACER		28
04	0502010834	1-1/4" INNER AXLE WASHER		04
05	0502010835	1-1/4" EXTERNAL AXLE WASHER		04
06	0501010455	1.1/4" NUT LOCK		08
07	0521059224	BOLT ASSEMBLY 5/8 UNC X 2.3/4		32
07A	0501013233	5/8" X 2-3/4" BOLT		01
07B	0503010013	5/8 UNC G.5 ZN HEX NUT		02
07C	0501012140	FLAT WASHER 16,50 X 40 X 4,00 ZN		01
08	0503010395	1/2" X 1-1/4" BOLT		08
09	0503010019	1/2" SPRING WASHER		08
10	0503010060	1/2 UNC G.5 ZN HEX NUT		08
11	0602029420	DR 22 X 3,50 C64AF02FR1.5/16 D126 10R		22
12	0601029418	DL 22 X 3,50 C64AF02FR1.5/16 D126		20
13	0601027301	DL 20 X 3,50 C57AF02FR1.5/16		02



Item	Code	Description	See page	QT
01	0521050842	7.58" X 1.1/4" BEARING	6	01
02	0502012854	BEARING SUPPORT 182/192,5		01
03	0501011541	5/8 UNC X 3 CS G.5 ZN1K28066 BOLT		02
04	0503010027	5/8 SPRING WASHER		02
05	0503010013	5/8 UNC G.5 ZN HEX NUT		02
06	0503011334	3/8 UNC X 3/4 CS G.5 ZN BOLT		04
07	0503010025	3/8" SPRING WASHER		04
08	0581014143	SWIVEL OIL BATH BEARING WEAR PLATE		01



Item	Code	Description	See page	QT
01	0502012839	BEARING HOUSING 182/192,5		01
02	0502040060	AXLE CM/DM 182/192,5 SKF 32210		01
03	0503010006	32210 ROLLER BEARING		02
04	0502010541	SEAL HOLDER		02
05	0503030026	SEAL LP JB-253		02
06	0502020424	HOUSING CAP 182/192,225		01
07	0503030013	4.4" X 3.5" X 0.004" JOINT		02
08	0503030684	4.4" X 3.5" X 0.004" JOINT		01
09	0503010134	3/8" X 1" BOLT		04
10	0502010070	OUTER FLANGE		01
11	0502010071	INNER FLANGE		01
12	0503010856	OIL PLUG R 3/8 BSPT		02



MARCHESAN

Technical Publications | Elaboration and Revision

LUIZ CANDIDO

www.marchesan.com.br

