

HINGE TYPE OFFSET DISK HARROW

GN 32D - PA/3P/PY - AXLES - 1.1/4"
GN 32D - PA/3P/PY - EIXO 1.1/4"

Code: 0501099044
Series: S-0222
Revision: 00
Revision Date: JUNE/2024

PARTS CATALOGUE



MARCHESAN



PRODUCTS

| Code | Working Width | Description |
|------------|---------------|--|
| 0102110680 | | GN 32 X 20 X 3,50 MT DMO PA 3P PY E 1.1/4 S-0222 |
| 0102110688 | | GN 32 X 22 X 4,50 DR DMO PA 3P PY E 1.1/4 S-0222 |

ATTENTION: IMPORTANT

Marchesan S.A. reserves the right to improve and/or modify the technical features of its products, without obligation to do the same with those products already sold and without prior knowledge of the dealer or the customer. The photos are only illustrative.

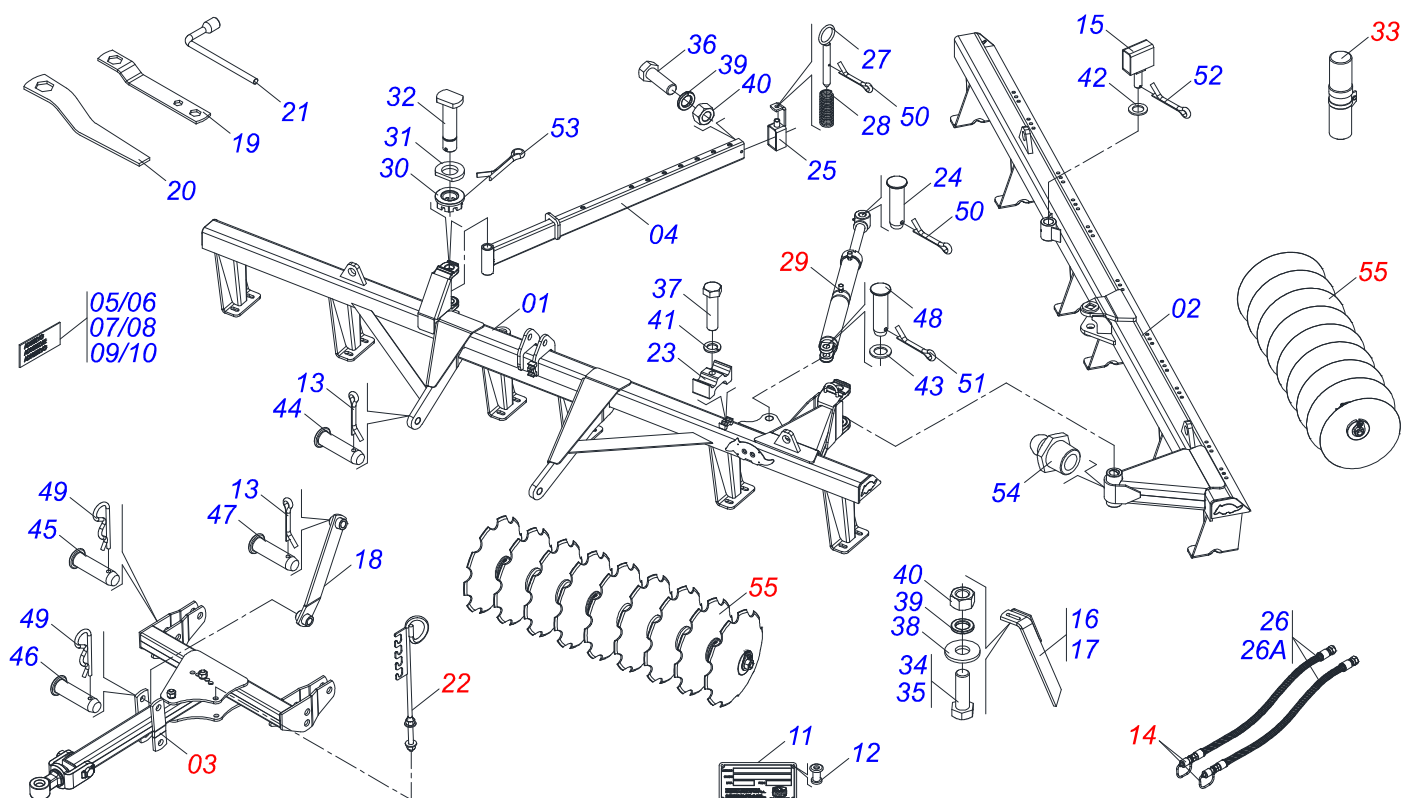


MARCHESAN

INDEX

| | | | |
|------------|---|-------|---|
| 0909097247 | ASSY FRAME | | 1 |
| 0531040840 | DRAWBAR ASSEMBLY | | 2 |
| 0501053834 | MALE QUICK COUPLER | | 3 |
| 0531040839 | 3/4 X 675 HOSE SUPPORT | | 4 |
| 0531050654 | 44,45 X 76,20 X 1084 X 207 HYDRAULIC CYLINDER | | 5 |
| 0541050836 | MANUAL STORAGE TUBE ASSY | | 6 |
| 0909097248 | DISC GANG ASSY | | 7 |
| 0521047189 | 7.58" X 1.1/4" BEARING WITH PROTECTION | | 8 |
| 0521050842 | 7.58" X 1.1/4" BEARING | | 9 |

ASSY FRAME



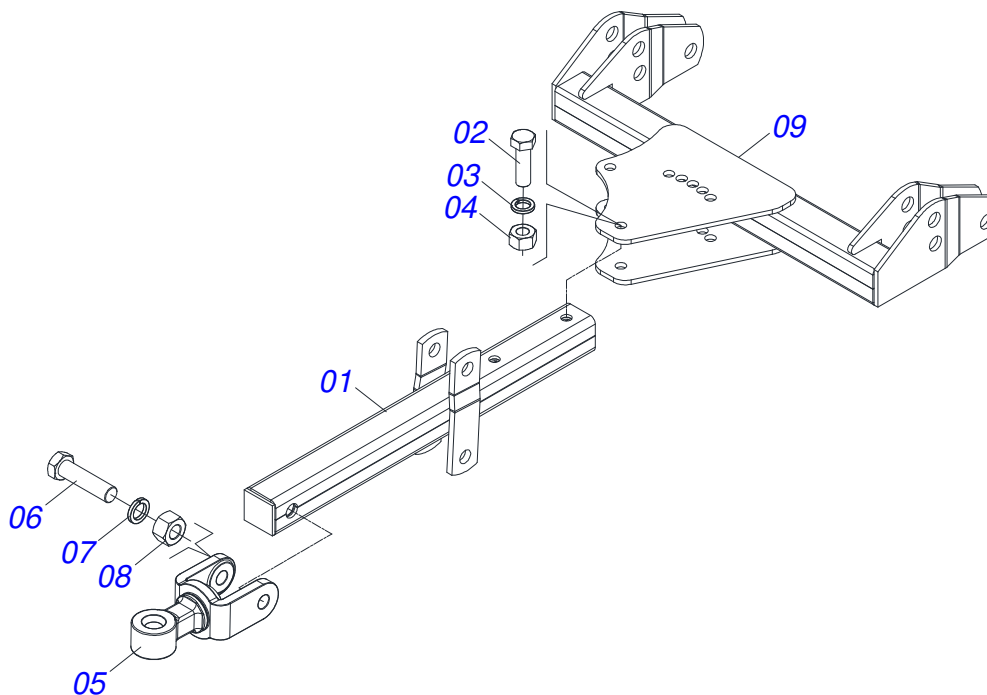
| Item | Code | Description | See page | QT |
|------|------------|---|----------|----|
| 01 | 0531061979 | 32D - FRONT FRAME | | 01 |
| 02 | 0531061977 | 32D - REAR FRAME | | 01 |
| 03 | 0531040840 | DRAWBAR ASSEMBLY | 2 | 01 |
| 04 | 0531061941 | ADJUSTMENT BAR | | 01 |
| 05 | 0503034021 | LABEL ADHESIVE GN | | 01 |
| 06 | 0503035341 | ADHESIVE LABEL | | 01 |
| 07 | 0503031428 | ATTENTION READ MANUAL DECAL | | 01 |
| 08 | 0503031087 | AUTO CONTROL APPROVED DECAL | | 01 |
| 09 | 0503031827 | DAILY LUBRICATION AND RETIGHTENING DECAL | | 01 |
| 10 | 0503034078 | LIFTING POINTS DECAL | | 04 |
| 11 | 0503034003 | 61 X 118 SERIAL NUMBER TAG | | 01 |
| 12 | 0503010001 | RIVET 3,2 X 5,5 | | 04 |
| 13 | 0503010571 | 1/4" X 1.1/2" SPLIT PIN | | 03 |
| 14 | 0501053834 | MALE QUICK COUPLER | 3 | 02 |
| 15 | 0521065232 | BAR GUIDE ESTABILIZER PA | | 01 |
| 16 | 0501063963 | FRONT SCRAPER | | 11 |
| 17 | 0501063962 | REAR SCRAPER | | 11 |
| 18 | 0531061940 | SIDE SUPPORT | | 01 |
| 19 | 0511018451 | 5/8" X 3/4" X 1" UNIVERSAL | | 01 |
| 20 | 0501010198 | 1-1/4" CABLE FLAT WRENCH | | 02 |
| 21 | 0501068273 | 5/8" WRENCH | | 01 |
| 22 | 0531040839 | 3/4 X 675 HOSE SUPPORT | 4 | 01 |
| 23 | 0502012702 | BODY SUPPORT CLAMP | | 02 |
| 24 | 0521013077 | 1.2" X 5.7" PIVOT SHAFT | | 01 |
| 25 | 0521065233 | BOX LIMITER COURSE | | 01 |
| 26 | 0501051049 | HOSE KIT | | 01 |
| 26A | 0501080363 | 3/8" X 177" TR-TM HOSE | | 02 |
| 27 | 0521065234 | AXLE LOCK BAR ADJUSTMENT | | 01 |
| 28 | 0503034060 | COMPRESSION SPRING | | 01 |
| 29 | 0531050654 | 44,45 X 76,20 X 1084 X 207 HYDRAULIC CYLINDER | 5 | 01 |
| 30 | 0501011301 | 1.1/2" UNC 6FPP 2.5/16" NUT | | 02 |
| 31 | 0531019540 | FLAT WASHER | | 02 |



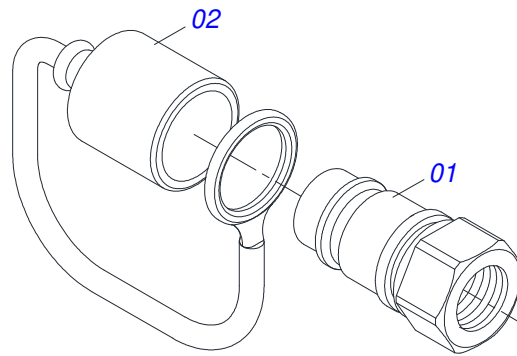
ASSY FRAME

0909097247

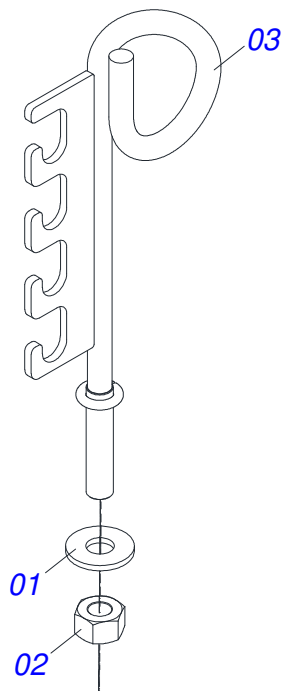
| Item | Code | Description | See page | QT |
|------|------------|------------------------------------|----------|----|
| 32 | 0531019497 | 1.5" X 9.2" ARTICULATED AXIS | | 02 |
| 33 | 0541050836 | MANUAL STORAGE TUBE ASSY | 6 | 01 |
| 34 | 0501810161 | SCREW 1/2 UNC X 1.1/4 C S G.2 | | 02 |
| 35 | 0503011082 | C1/2" X 1.3/4" SCREW | | 42 |
| 36 | 0503010741 | 1/2" X 2-3/4" BOLT | | 01 |
| 37 | 0503012555 | 7/16" UNC X 2" CS RT G.7 ZN SCREW | | 02 |
| 38 | 0511017302 | FLAT WASHER 13,50 X 32,50 X 3,0 ZN | | 44 |
| 39 | 0503010019 | 1/2" SPRING WASHER | | 50 |
| 40 | 0503010060 | 1/2 UNC G.5 ZN HEX NUT | | 50 |
| 41 | 0503010180 | 7/16" SPRING WASHER | | 02 |
| 42 | 0501012916 | FLAT WASHER 40 X 66 X 4,75 ZN | | 01 |
| 43 | 0501017779 | FLAT WASHER 32 X 60 X 4,75 | | 01 |
| 44 | 0521010592 | 1.1" X 3.1" COUPLING SHAFT | | 02 |
| 45 | 0521010593 | 1.1" X 3.9" COUPLING SHAFT | | 02 |
| 46 | 0521010581 | 0.9" X 4.9" COUPLING SHAFT | | 02 |
| 47 | 0521010579 | COUPLING SHAFT | | 01 |
| 48 | 0521010779 | 31.75 X 95 COUPLING SHAFT | | 01 |
| 49 | 0503031035 | HITCH PIN CLIP | | 04 |
| 50 | 0503010131 | 3/16" X 1.1/2" SPLIT PIN | | 01 |
| 51 | 0503010523 | 1/4 X 2 SPLIT PIN | | 02 |
| 52 | 0503010073 | 3/8" X 3.1/2" SPLIT PIN | | 01 |
| 53 | 0503010010 | 1/4" X 2.1/2" SPLIT PIN | | 02 |
| 54 | 0503010002 | 1800 GREASE FITTING | | 03 |
| 55 | | DISC GANG ASSY | 7 | |



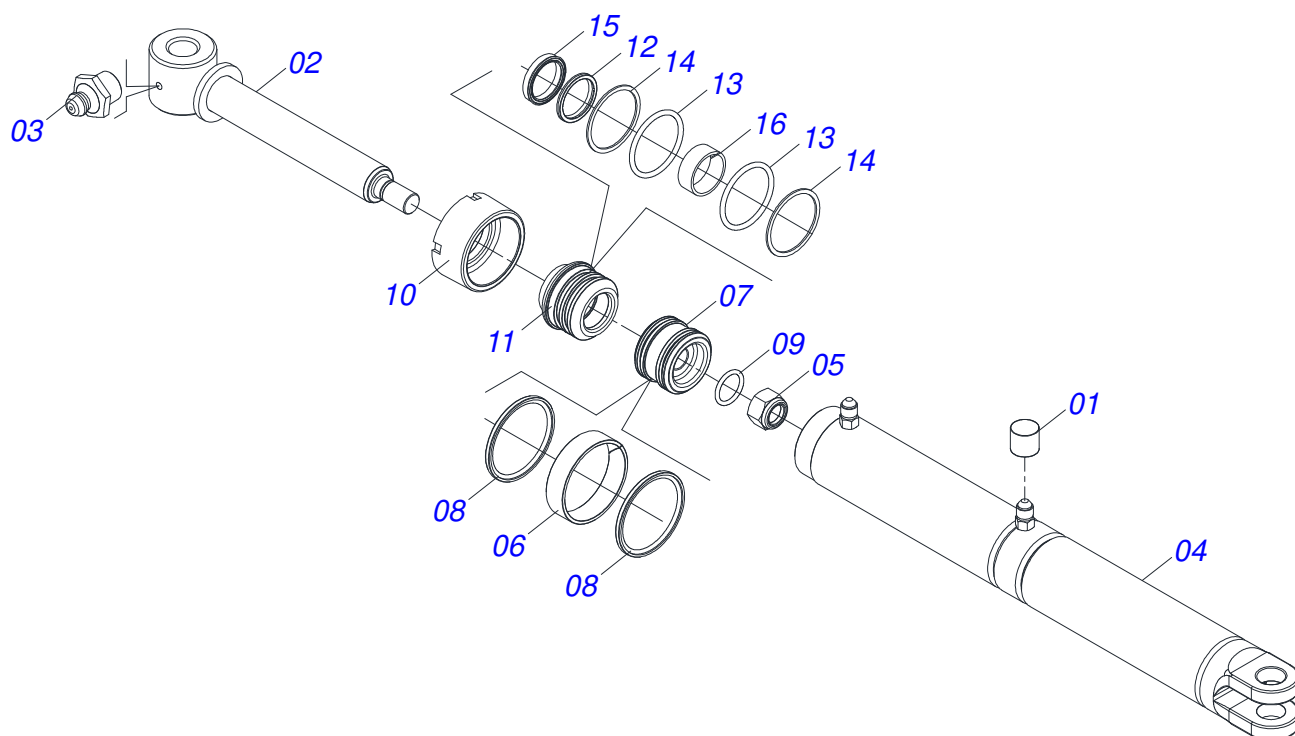
| Item | Code | Description | See page | QT |
|------|------------|---------------------------------|----------|----|
| 01 | 0501060670 | TRACTION BAR | | 01 |
| 02 | 0503011084 | 3/4" X 5" BOLT | | 02 |
| 03 | 0503011442 | 3/4" SPRING WASHER | | 02 |
| 04 | 0503010014 | 3/4" ZN G.5 (HEAVY) UNC HEX NUT | | 02 |
| 05 | 0521061775 | TRACTOR HITCH | | 01 |
| 06 | 0501010060 | 1" X 6-1/2" BOLT | | 01 |
| 07 | 0503011438 | SPRING WASHER | | 01 |
| 08 | 0501010059 | 1.5/8 NUT | | 01 |
| 09 | 0531061946 | HITCH BAR | | 01 |



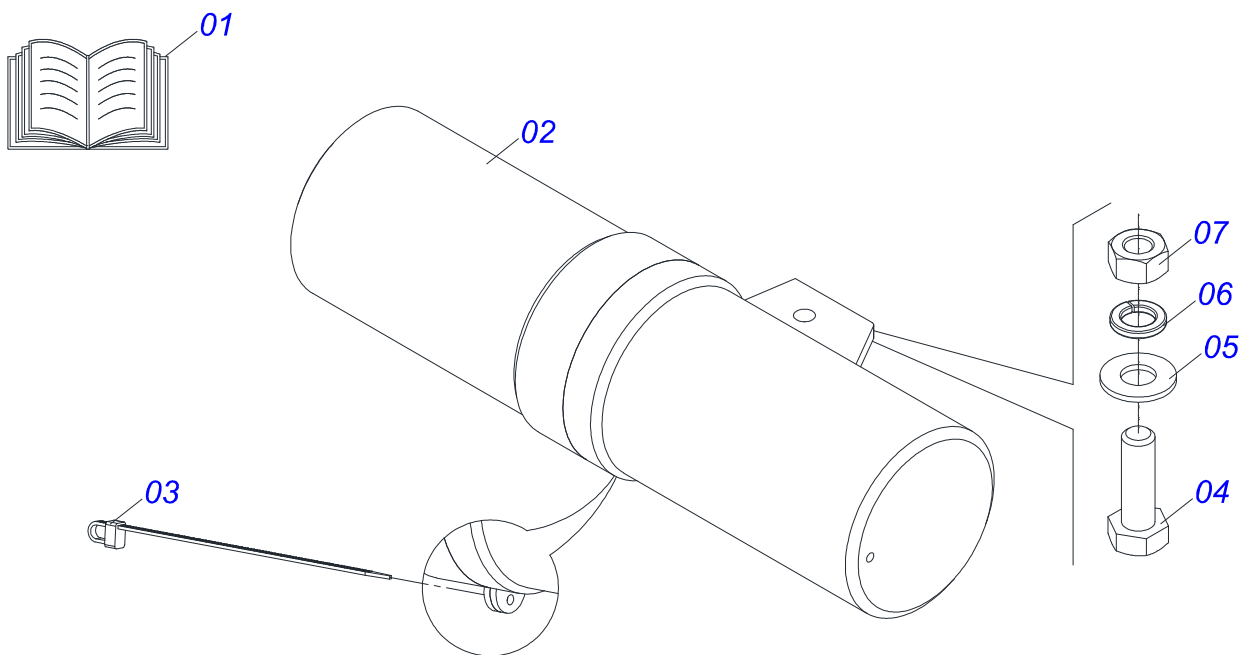
| Item | Code | Description | See page | QT |
|------|------------|--------------------------------|----------|----|
| 01 | 0503011627 | MALE QUICK COUPLER AGR 1/2 NPT | | 01 |
| 02 | 0503011882 | MALE QUICK COUPLER CAP | | 01 |



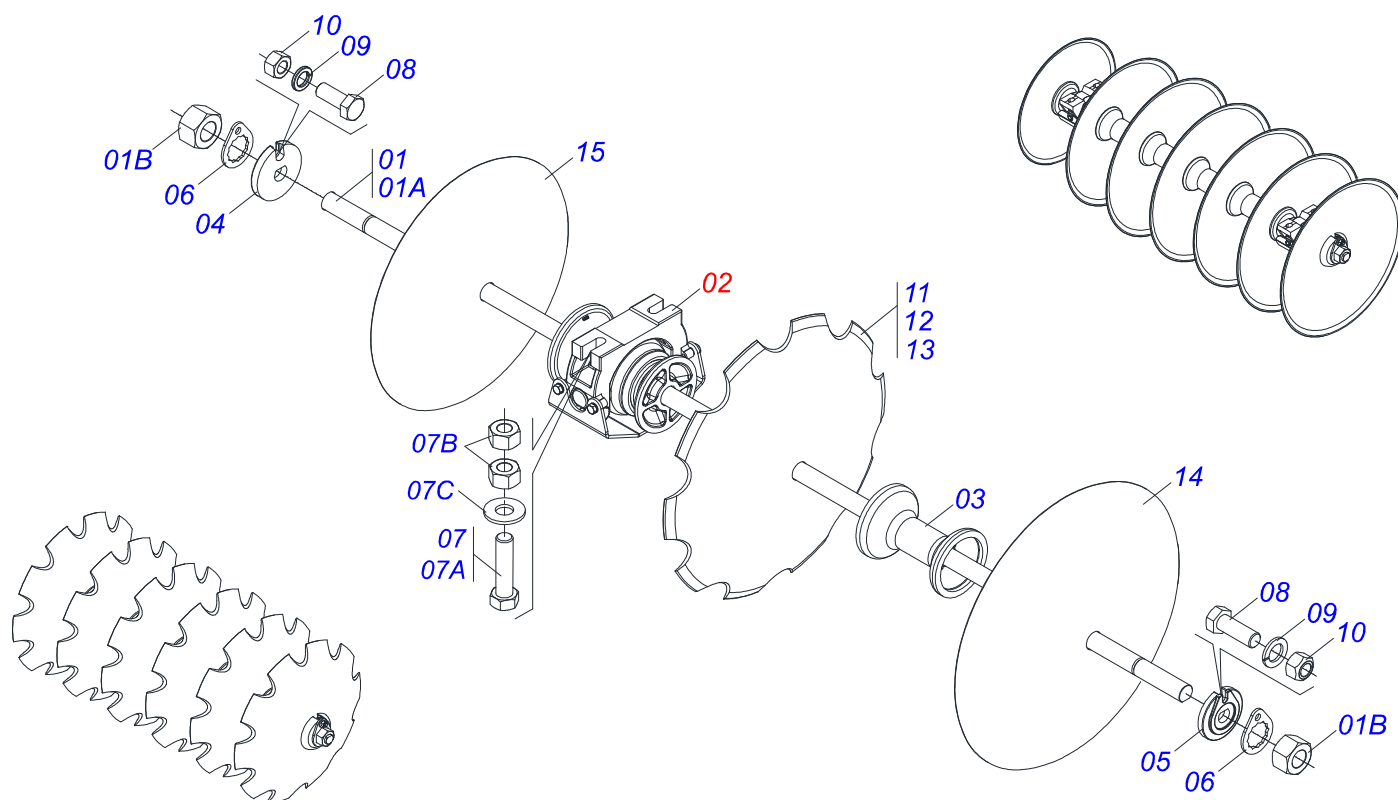
| Item | Code | Description | See page | QT |
|------|------------|----------------------------------|----------|----|
| 01 | 0501010322 | 20,50 X 46 X 4,00 ZN FLAT WASHER | | 02 |
| 02 | 0503010014 | 3/4" ZN G.5 (HEAVY) UNC HEX NUT | | 02 |
| 03 | 0521063508 | HOSE SUPPORT | | 01 |



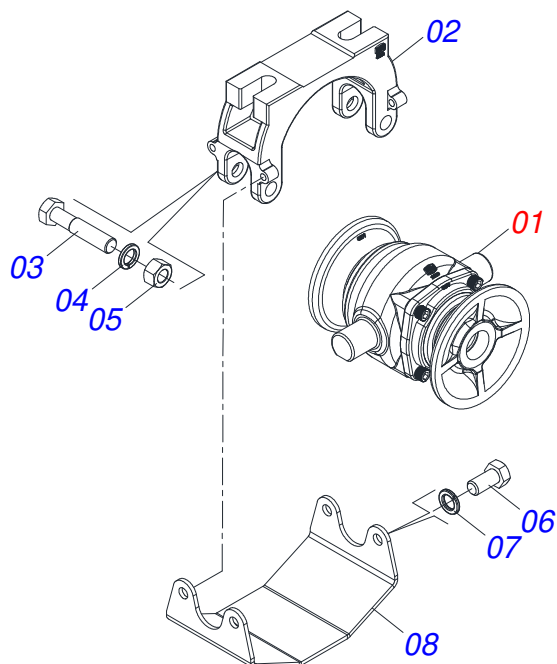
| Item | Code | Description | See page | QT |
|------|------------|------------------------------------|----------|----|
| 01 | 0503030385 | CYLINDER PLUG N-002 | | 02 |
| 02 | 0531061975 | 44,45 X 426 EXTENSOR | | 01 |
| 03 | 0503010002 | 1800 GREASE FITTING | | 01 |
| 04 | 0531061974 | HYDRAULIC CYLINDER EXTENDED BARREL | | 01 |
| 05 | 0503010063 | 1" SELF-ALIGNING NUT | | 01 |
| 06 | 0503018140 | RING GUIDE | | 01 |
| 07 | 0581010304 | PISTON | | 01 |
| 08 | 0503018138 | RING BS | | 02 |
| 09 | 0503010042 | 2-214 N 3006-9B O'RING | | 01 |
| 10 | 0502011899 | MOBILE LID | | 01 |
| 11 | 0581010301 | RING SUPPORT | | 01 |
| 12 | 0503010761 | D-1750 SCRAPER RING | | 01 |
| 13 | 0503010343 | 2-334 N 3006-9B O'RING | | 02 |
| 14 | 0503011059 | 8-334 BACK-UP RING | | 02 |
| 15 | 0503017937 | GASKET | | 01 |
| 16 | 0503017938 | RING GUIDE | | 01 |



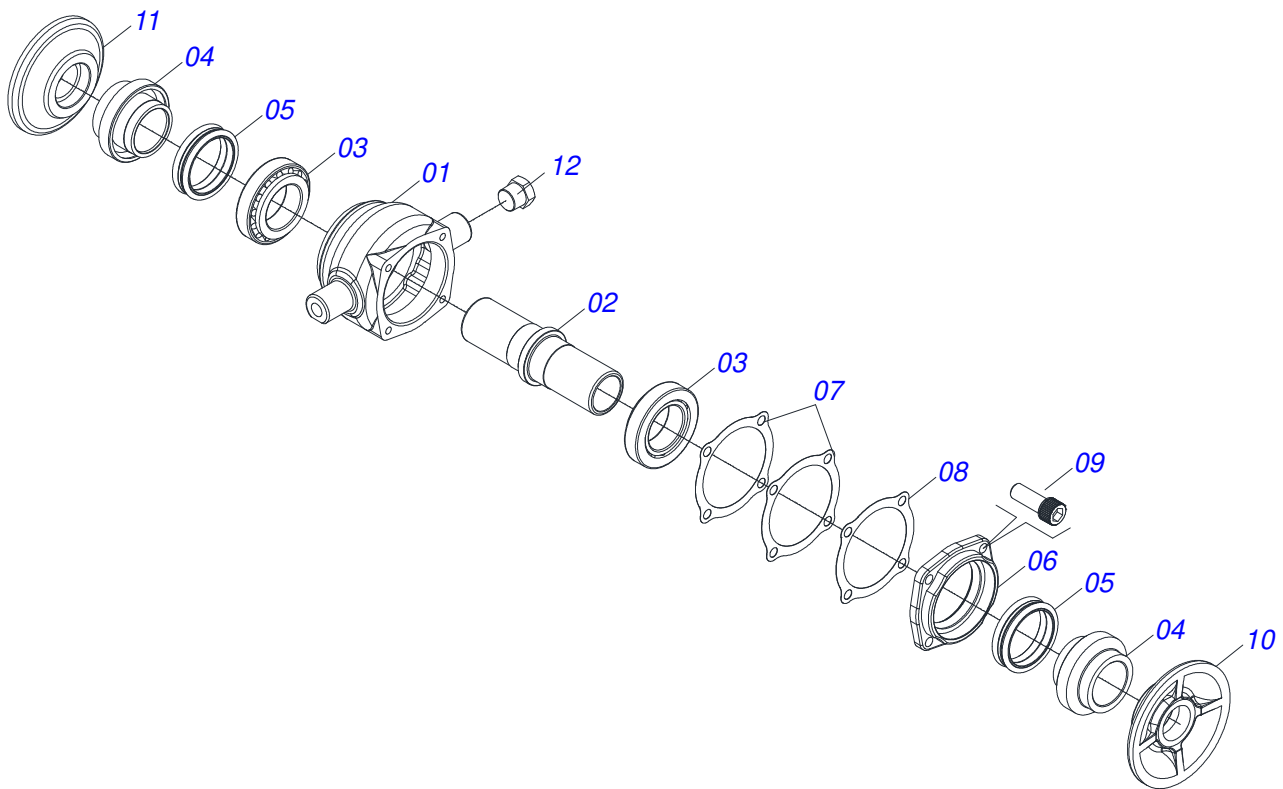
| Item | Code | Description | See page | QT |
|------|------------|--|----------|----|
| 01 | 0511034655 | PLASTIC COVER WITH INSTRUCTIONS MANUAL | | 01 |
| 02 | 0503060100 | SUPPORT INSTRUCTION MANUAL | | 01 |
| 03 | 0503010267 | NYLON CLAMP 3,60 X 1,3 X 155 MM | | 01 |
| 04 | 0503010363 | BOLT 5/16 UNC X 1 C S G.2 ZN | | 01 |
| 05 | 0501010694 | FLAT WASHER 32,50 X 75 X 4,75 | | 01 |
| 06 | 0503010179 | LOCK WASHER 5/16 ZN 1K01528 | | 01 |
| 07 | 0503010337 | NUT 5/16 UNC G.5 ZN | | 01 |



| Item | Code | Description | See page | QT |
|------|------------|--|----------|----|
| 01 | 0501042942 | 1-1/4" X 58" AXLE WITH NUTS | | 04 |
| 01A | 0501017379 | 1-1/4" X 58" AXLE | | 01 |
| 01B | 0501010087 | 1.1/4" NUT | | 02 |
| 02 | 0521047189 | 7.58" X 1.1/4" BEARING WITH PROTECTION | 8 | 12 |
| 03 | 0502010549 | 7.6" X 1-1/4" SPACER | | 28 |
| 04 | 0502010834 | 1-1/4" INNER AXLE WASHER | | 04 |
| 05 | 0502010835 | 1-1/4" EXTERNAL AXLE WASHER | | 04 |
| 06 | 0501010455 | 1.1/4" NUT LOCK | | 08 |
| 07 | 0521059224 | BOLT ASSEMBLY 5/8 UNC X 2.3/4 | | 32 |
| 07A | 0501013233 | 5/8" X 2-3/4" BOLT | | 01 |
| 07B | 0503010013 | 5/8 UNC G.5 ZN HEX NUT | | 02 |
| 07C | 0501012140 | FLAT WASHER 16,50 X 40 X 4,00 ZN | | 01 |
| 08 | 0503010395 | 1/2" X 1-1/4" BOLT | | 08 |
| 09 | 0503010019 | 1/2" SPRING WASHER | | 08 |
| 10 | 0503010060 | 1/2 UNC G.5 ZN HEX NUT | | 08 |
| 11 | 0602027340 | DR 20 X 3,50 C57AF02FR1.5/16 10R | | 16 |
| 12 | 0602029421 | DR 22 X 4,50 C64AF02FR1.5/16 10R | | 30 |
| 13 | 0602027340 | DR 20 X 3,50 C57AF02FR1.5/16 10R | | 02 |
| 14 | 0601027301 | DL 20 X 3,50 C57AF02FR1.5/16 | | 14 |
| 15 | 0601025251 | DL 18 X 3,50 C45AF02FR1.5/16 | | 02 |



| Item | Code | Description | See page | QT |
|------|------------|------------------------------------|----------|----|
| 01 | 0521050842 | 7.58" X 1.1/4" BEARING | 9 | 01 |
| 02 | 0502012854 | BEARING SUPPORT 182/192,5 | | 01 |
| 03 | 0501011541 | 5/8 UNC X 3 CS G.5 ZN1K28066 BOLT | | 02 |
| 04 | 0503010027 | 5/8 SPRING WASHER | | 02 |
| 05 | 0503010013 | 5/8 UNC G.5 ZN HEX NUT | | 02 |
| 06 | 0503011334 | 3/8 UNC X 3/4 CS G.5 ZN BOLT | | 04 |
| 07 | 0503010025 | 3/8" SPRING WASHER | | 04 |
| 08 | 0581014143 | SWIVEL OIL BATH BEARING WEAR PLATE | | 01 |



| Item | Code | Description | See page | QT |
|------|------------|--------------------------------|----------|----|
| 01 | 0502012839 | BEARING HOUSING 182/192,5 | | 01 |
| 02 | 0502040060 | AXLE CM/DM 182/192,5 SKF 32210 | | 01 |
| 03 | 0503010006 | 32210 ROLLER BEARING | | 02 |
| 04 | 0502010541 | SEAL HOLDER | | 02 |
| 05 | 0503030026 | SEAL LP JB-253 | | 02 |
| 06 | 0502020424 | HOUSING CAP 182/192,225 | | 01 |
| 07 | 0503030013 | 4.4" X 3.5" X 0.004" JOINT | | 02 |
| 08 | 0503030684 | 4.4" X 3.5" X 0.004" JOINT | | 01 |
| 09 | 0503010134 | 3/8" X 1" BOLT | | 04 |
| 10 | 0502010070 | OUTER FLANGE | | 01 |
| 11 | 0502010071 | INNER FLANGE | | 01 |
| 12 | 0503010856 | OIL PLUG R 3/8 BSPT | | 02 |



MARCHESAN

Technical Publications | Elaboration and Revision

LUIZ CANDIDO

www.marchesan.com.br

