

**HINGE TYPE OFFSET DISK HARROW**

**GN 24/28/32/36/40/44/48/52D - 1.1/4" SHAFT**  
**GN 24/28/32/36/40/44/48/52D - EIXO 1.1/4"**

**Code:** 0501099043  
**Series:** S-0222  
**Revision:** 00  
**Revision Date:** MAY/2024

# PARTS CATALOGUE



**MARCHESAN**



# PRODUCTS

Code	Working Width	Description
0102110667		GN 24 X 20 X 3,50 DR DMO E 1.1/4 S-0222
0102110668		GN 24 X 20 X 3,50 MT DMO E 1.1/4 S-0222
0102110669		GN 24 X 22 X 3,50 MT DMO E 1.1/4 S-0222
0102110670		GN 24 X 22 X 4,50 DR DMO E 1.1/4 S-0222
0102110671		GN 24 X 22 X 4,50 MT DMO E 1.1/4 S-0222
0102110672		GN 28 X 20 X 3,50 DL DMO E 1.1/4 S-0222
0102110673		GN 28 X 20 X 3,50 MT DMO E 1.1/4 S-0222
0102110674		GN 28 X 22 X 3,50 DR DMO E 1.1/4 S-0222
0102110675		GN 28 X 22 X 3,50 MT DMO E 1.1/4 S-0222
0102110676		GN 28 X 22 X 4,50 DR DMO E 1.1/4 S-0222
0102110677		GN 28 X 22 X 4,50 MT DMO E 1.1/4 S-0222
0102110678		GN 32 X 20 X 3,50 DR DMO E 1.1/4 S-0222
0102110679		GN 32 X 20 X 3,50 MT DMO E 1.1/4 S-0222
0102110681		GN 32 X 20 X 4,00 MT DMO E 1.1/4 S-0222
0102110682		GN 32 X 20 X 4,50 DR DMO E 1.1/4 S-0222
0102110683		GN 32 X 20 X 4,50 MT DMO E 1.1/4 S-0222
0102110684		GN 32 X 22 X 3,50 DR DMO E 1.1/4 S-0222
0102110685		GN 32 X 22 X 3,50 MT DMO E 1.1/4 S-0222
0102110686		GN 32 X 22 X 4,50 DL DMO E 1.1/4 S-0222
0102110687		GN 32 X 22 X 4,50 DR DMO E 1.1/4 S-0222
0102110690		GN 32 X 22 X 4,50 MT DMO E 1.1/4 S-0222
0102110691		GN 36 X 20 X 3,50 DR DMO E 1.1/4 S-0222
0102110693		GN 36 X 20 X 3,50 MT DMO E 1.1/4 S-0222
0102110695		GN 36 X 20 X 4,00 MT DMO E 1.1/4 S-0222
0102110696		GN 36 X 22 X 3,50 DR DMO E 1.1/4 S-0222
0102110698		GN 36 X 22 X 3,50 MT DMO E 1.1/4 S-0222
0102110702		GN 36 X 22 X 4,50 DR DMO E 1.1/4 S-0222
0102110704		GN 36 X 22 X 4,50 MT DMO E 1.1/4 S-0222
0102110706		GN 40 X 20 X 3,50 MT DMO E 1.1/4 S-0222
0102110708		GN 40 X 22 X 3,50 DR DMO E 1.1/4 S-0222

## ATTENTION: IMPORTANT

Marchesan S.A. reserves the right to improve and/or modify the technical features of its products, without obligation to do the same with those products already sold and without prior knowledge of the dealer or the customer. The photos are only illustrative.



# PRODUCTS

0102110709	GN 40 X 22 X 3,50 MT DMO E 1.1/4 S-0222
0102110711	GN 40 X 22 X 4,00 DR DMO E 1.1/4 S-0222
0102110712	GN 40 X 22 X 4,00 MT DMO E 1.1/4 S-0222
0102110714	GN 40 X 22 X 4,50 DR DMO E 1.1/4 S-0222
0102110716	GN 40 X 22 X 4,50 MT DMO E 1.1/4 S-0222
0102110718	GN 44 X 20 X 3,50 MT DMO E 1.1/4 S-0222
0102110720	GN 44 X 22 X 3,50 DR DMO E 1.1/4 S-0222
0102110723	GN 44 X 22 X 3,50 MT DMO E 1.1/4 S-0222
0102110726	GN 44 X 22 X 4,50 DR DMO E 1.1/4 S-0222
0102110727	GN 44 X 22 X 4,50 MT DMO E 1.1/4 S-0222
0102110731	GN 48 X 20 X 3,50 DR DMO E 1.1/4 S-0222
0102110734	GN 48 X 20 X 3,50 MT DMO E 1.1/4 S-0222
0102110736	GN 48 X 20 X 4,50 MT DMO E 1.1/4 S-0222
0102110737	GN 48 X 22 X 3,50 DL DMO E 1.1/4 S-0222
0102110739	GN 48 X 22 X 3,50 MT DMO E 1.1/4 S-0222
0102110742	GN 48 X 22 X 4,50 DR DMO E 1.1/4 S-0222
0102110743	GN 48 X 22 X 4,50 MT DMO E 1.1/4 S-0222
0102110748	GN 52 X 20 X 3,50 MT DMO E 1.1/4 S-0222
0102110750	GN 52 X 22 X 3,50 DL DMO E 1.1/4 S-0222
0102110752	GN 52 X 22 X 3,50 MT DMO E 1.1/4 S-0222
0102110753	GN 52 X 22 X 3,50 MT DMO E 1.1/4 S-0222
0102110757	GN 52 X 22 X 4,50 MT DMO E 1.1/4 S-0222

## ATTENTION: IMPORTANT

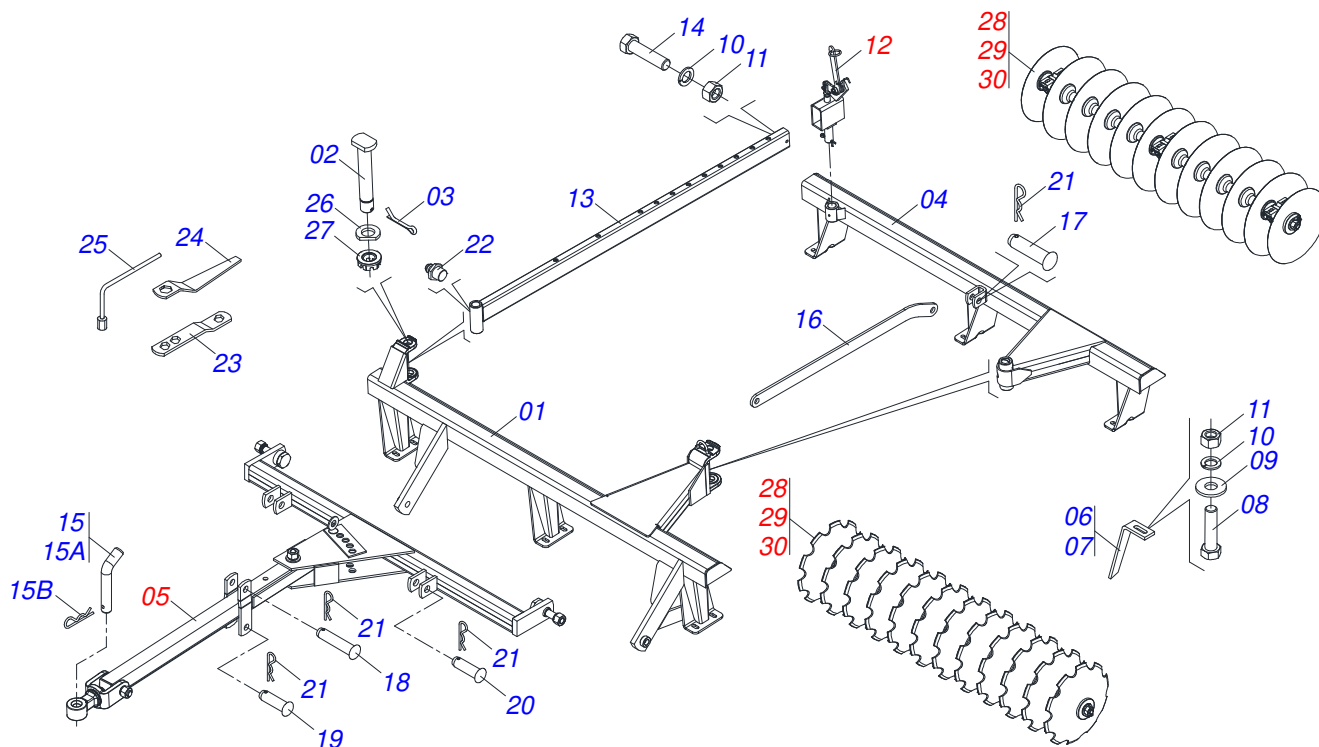
Marchesan S.A. reserves the right to improve and/or modify the technical features of its products, without obligation to do the same with those products already sold and without prior knowledge of the dealer or the customer. The photos are only illustrative.



**MARCHESAN**

# INDEX

0909097229	FRAME ASSY - 24/28/32D	.....	1
0501043377	DRAWBAR ASSY	.....	2
0501043278	ADJUSTMENT ASSY	.....	3
0909097230	FRAME ASSY - 36/40/44/48D	.....	4
0501043081	DRAWBAR ASSY	.....	5
0501047858	ADJUSTMENT LEVER ASSY	.....	6
0909097231	FRAME ASSY - 52D	.....	7
0501043082	DRAWBAR ASSY	.....	8
0909097232	DISC GANG - 24/28/32/36/40/44/48/52D (MIXED DISCS)	.....	9
0909097233	DISC GANG - 24/28/32/36/40/44/48D (NOTCHED DISCS)	.....	10
0909097234	DISC GANG - 28/32/48/52D (PLAIN DISCS)	.....	11
0521047189	7.58" X 1.1/4" BEARING WITH PROTECTION	.....	12
0521050842	7.58" X 1.1/4" BEARING	.....	13

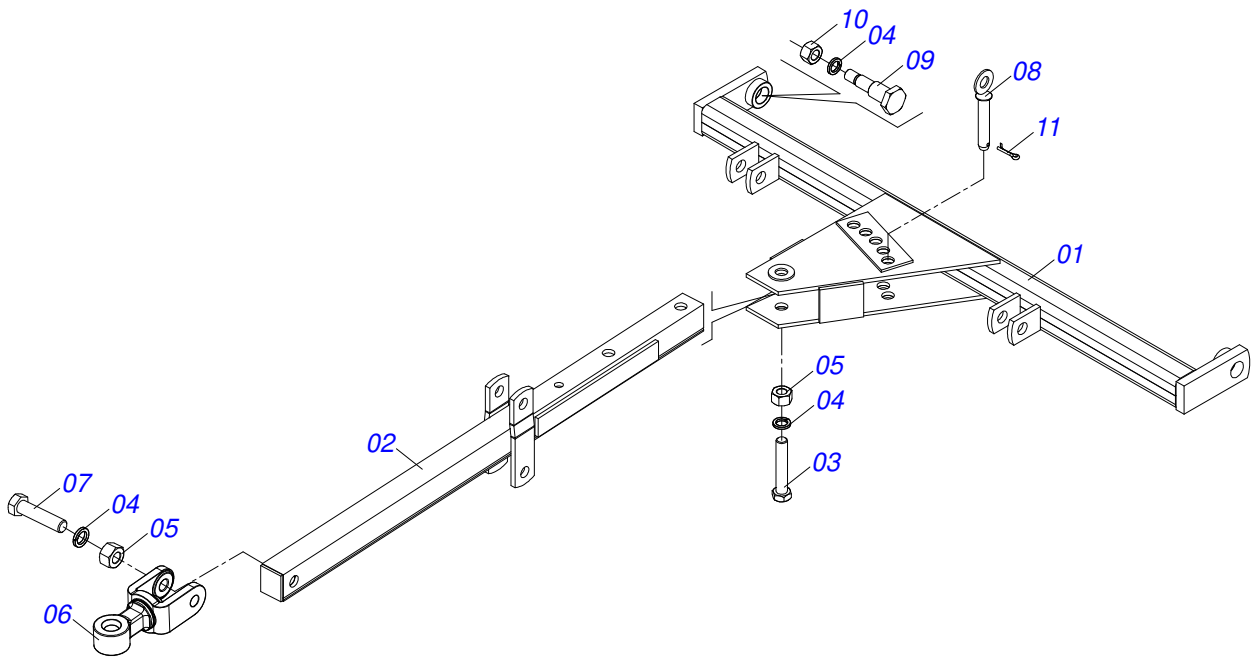


Item	Code	Description	See page	24	28	32
01	0501066932	FRONT FRAME 24		01	00	00
01.	0501066933	FRONT FRAME 28		00	01	00
01..	0501066934	FRONT FRAME 32		00	00	01
02	0531019497	1.5" X 9.2" ARTICULATED AXIS		02	02	02
03	0503010010	1/4" X 2.1/2" SPLIT PIN		02	02	02
04	0501066935	REAR FRAME 24		01	00	00
04.	0501066936	REAR FRAME 28		00	01	00
04..	0501066937	REAR FRAME		00	00	01
05	0501043377	DRAWBAR ASSY	2	01	01	01
06	0501063963	FRONT SCRAPER		08	09	11
07	0501063962	REAR SCRAPER		08	09	11
08	0503011082	C1/2" X 1.3/4" SCREW		32	36	44
09	0511017302	FLAT WASHER 13,50 X 32,50 X 3,0 ZN		32	36	44
10	0503010019	1/2" SPRING WASHER		32	36	44
11	0503010060	1/2 UNC G.5 ZN HEX NUT		32	36	44
12	0501043278	ADJUSTMENT ASSY	3	01	01	01
13	0501065295	1945 ADJUSTMENT BAR		01	01	01
14	0503010741	1/2" X 2-3/4" BOLT		01	01	01
15	0501040343	HITCH AXIS ASSY		01	01	01
15A	0521010453	JOINT AXIS		01	01	01
15B	0503031035	HITCH PIN CLIP		01	01	01
16	0501018945	45" ATTACHMENT BAR		01	01	01
17	0521010573	0.9" X 3.1" COUPLING SHAFT		01	01	01
18	0521010578	COUPLING SHAFT		01	01	01
19	0521010579	COUPLING SHAFT		01	01	01
20	0521010595	1.1" X 4.3" COUPLING SHAFT		02	02	02
21	0503031035	HITCH PIN CLIP		05	05	05
22	0503010002	1800 GREASE FITTING		03	03	03
23	0511018451	5/8" X 3/4" X 1" UNIVERSAL		01	01	01
24	0501010198	1-1/4" CABLE FLAT WRENCH		02	02	02
25	0501068273	5/8" WRENCH		01	01	01
26	0531019540	FLAT WASHER		02	02	02



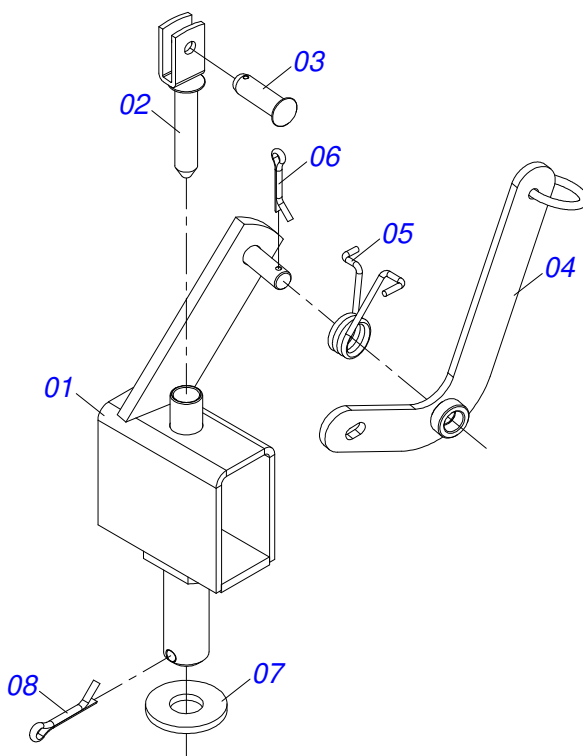
Item	Code	Description	See page	24	28	32
27	0501011301	1.1/2" UNC 6FPP 2.5/16" NUT		02	02	02
28		DISC GANG - 24/28/32/36/40/44/48/52D (MIXED DISCS)	9			
29		DISC GANG - 24/28/32/36/40/44/48D (NOTCHED DISCS)	10			
30		DISC GANG - 28/32/48/52D (PLAIN DISCS)	11			

DRAWBAR ASSY



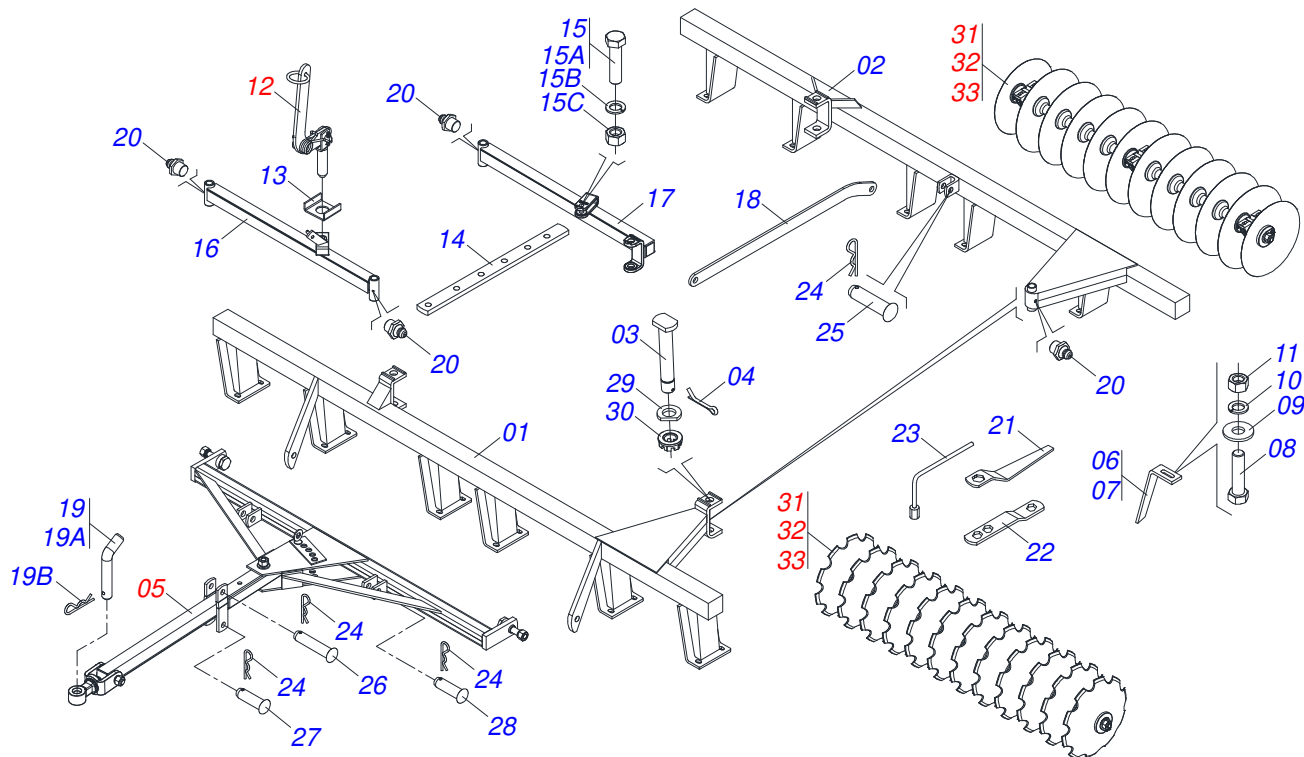
Item	Code	Description	See page	QT
01	0501064917	58.5" OFFSET BAR		01
02	0501064878	DRAWBAR ASSY		01
03	0501010372	1" X 5-1/2" BOLT		01
04	0503011438	SPRING WASHER		04
05	0501010059	1.5/8 NUT		02
06	0521062444	TRACTOR HITCH		01
07	0501010191	1" X 6" BOLT		01
08	0501068993	0.9" X 5.5" COUPLING SHAFT		01
09	0501018191	BARRANG BOLT		02
10	0503010340	1" NUT		02
11	0503010571	1/4" X 1.1/2" SPLIT PIN		01

ADJUSTMENT ASSY



Item	Code	Description	See page	QT
01	0501063302	ADJUSTMENT		01
02	0501063078	ADJUSTMENT LOCK		01
03	0521010624	0.4" X 1.5" COUPLING SHAFT		01
04	0501068981	ADJUSTMENT LEVER		01
05	0503030025	1.4" X 0.2" TORSION SPRING		01
06	0503010071	3/16" X 1" SPLIT PIN		02
07	0501012916	FLAT WASHER 40 X 66 X 4,75 ZN		01
08	0503010073	3/8" X 3.1/2" SPLIT PIN		01



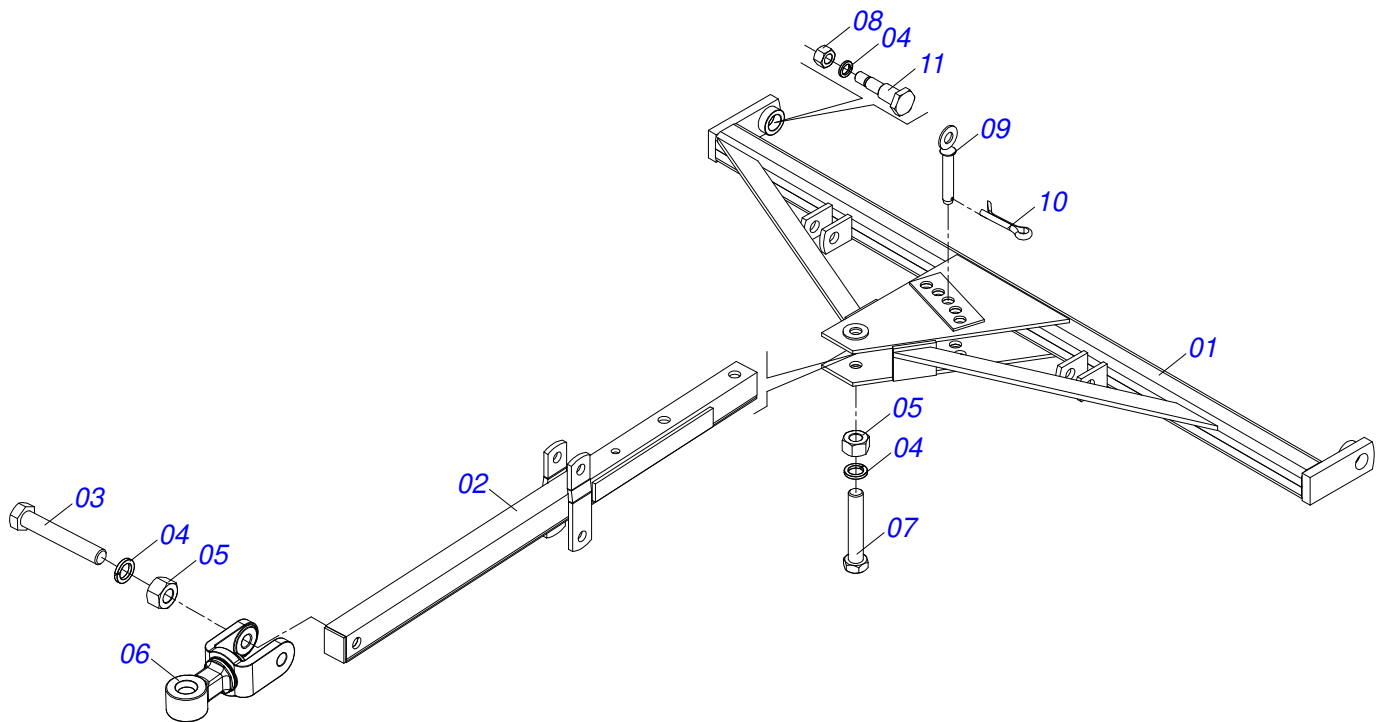


Item	Code	Description	See page	36	40	44	48
01	0501064670	FRONT FRAME 36		01	00	00	00
01.	0501064673	FRONT FRAME 40		00	01	00	00
01..	0501066740	FRONT FRAME 44		00	00	01	00
01...	0501063223	FRONT FRAME 48		00	00	00	01
02	0501064624	REAR FRAME 36		01	00	00	00
02.	0501064616	REAR FRAME 40		00	01	00	00
02..	0501066741	REAR FRAME 44		00	00	01	00
02...	0501063224	REAR FRAME 48		00	00	00	01
03	0531019497	1.5" X 9.2" ARTICULATED AXIS		04	04	04	04
04	0503010010	1/4" X 2.1/2" SPLIT PIN		04	04	04	04
05	0501043081	DRAWBAR ASSY	5	01	01	01	01
06	0501063963	FRONT SCRAPER		11	13	13	15
07	0501063962	REAR SCRAPER		11	13	13	15
08	0503011082	C1/2" X 1.3/4" SCREW		44	52	52	60
09	0511017302	FLAT WASHER 13,50 X 32,50 X 3,0 ZN		44	52	52	60
10	0503010019	1/2" SPRING WASHER		44	52	52	60
11	0503010060	1/2 UNC G.5 ZN HEX NUT		44	52	52	60
12	0501047858	ADJUSTMENT LEVER ASSY	6	01	01	01	01
13	0501011649	U 1.2" X 3.1" X 3/16" BAR		01	01	01	01
14	0501064197	ADJUSTMENT BAR		01	01	01	01
15	0501040852	1" X 4" BOLT ASSY		01	01	01	01
15A	0503011432	BOLT		01	01	01	01
15B	0503010012	1" SPRING WASHER		01	01	01	01
15C	0501010059	1.5/8 NUT		01	01	01	01
16	0501064509	FRONT STABILIZER BAR		01	01	01	01
17	0501064508	REAR STABILIZER BAR 1360		01	01	01	01
18	0501018945	45" ATTACHMENT BAR		01	01	01	01
19	0501040343	HITCH AXIS ASSY		01	01	01	01
19A	0521010453	JOINT AXIS		01	01	01	01
19B	0503031035	HITCH PIN CLIP		01	01	01	01
20	0503010002	1800 GREASE FITTING		04	04	04	04
21	0501010198	1-1/4" CABLE FLAT WRENCH		02	02	02	02



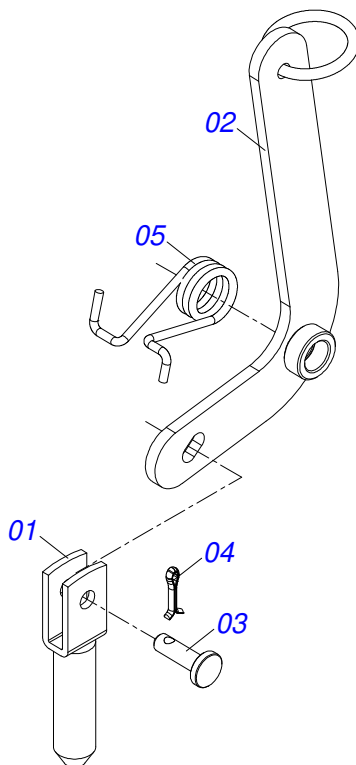
Item	Code	Description	See page	36	40	44	48
22	0511018451	5/8" X 3/4" X 1" UNIVERSAL		01	01	01	01
23	0501068273	5/8" WRENCH		01	01	01	01
24	0503031035	HITCH PIN CLIP		05	05	05	05
25	0521010573	0.9" X 3.1" COUPLING SHAFT		01	01	01	01
26	0521010578	COUPLING SHAFT		01	01	01	01
27	0521010579	COUPLING SHAFT		01	01	01	01
28	0521010595	1.1" X 4.3" COUPLING SHAFT		02	02	02	02
29	0531019540	FLAT WASHER		04	04	04	04
30	0501011301	1.1/2" UNC 6FPP 2.5/16" NUT		04	04	04	04
31		DISC GANG - 24/28/32/36/40/44/48/52D (MIXED 9 DISCS)					
32		DISC GANG - 24/28/32/36/40/44/48D (NOTCHED 10 DISCS)					
33		DISC GANG - 28/32/48/52D (PLAIN DISCS)	11				

DRAWBAR ASSY

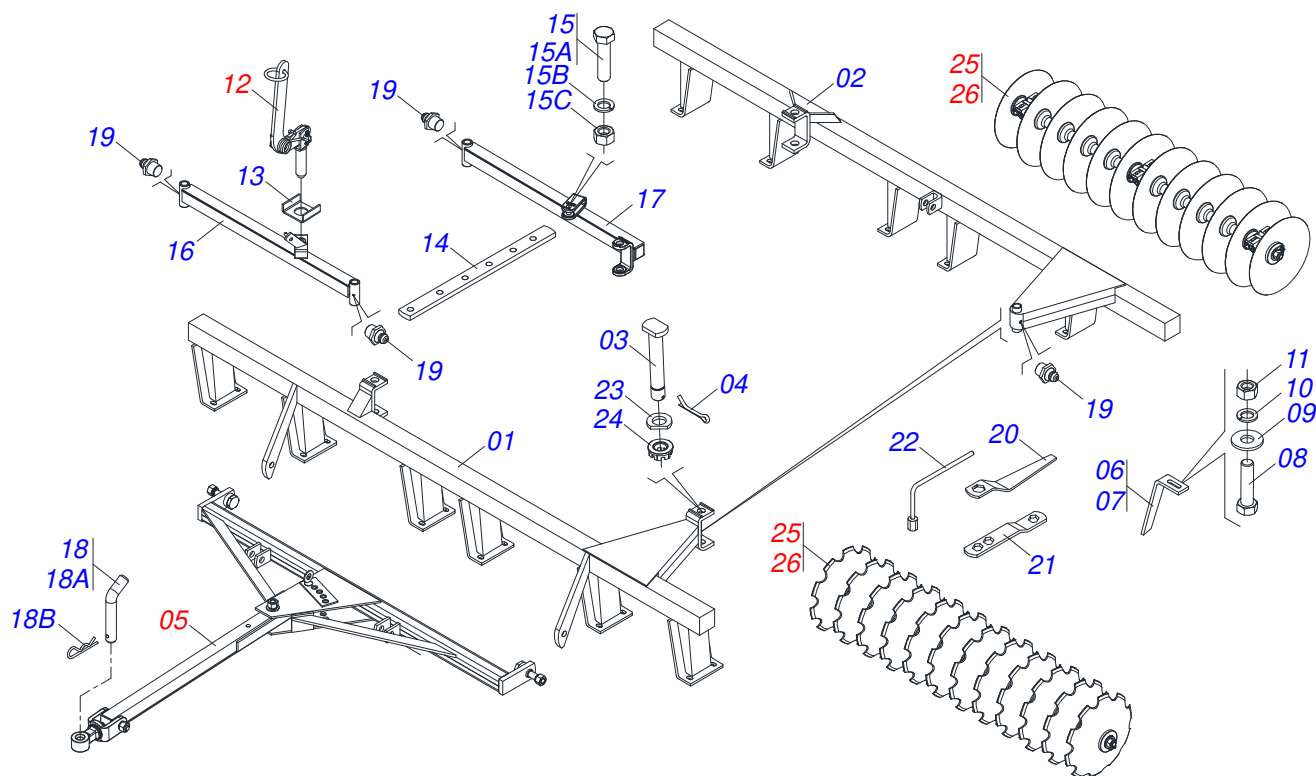


Item	Code	Description	See page	QT
01	0501064919	OFFSET BAR FOR TRANSP HYDRAULIC		01
02	0501064878	DRAWBAR ASSY		01
03	0501010372	1" X 5-1/2" BOLT		01
04	0503011438	SPRING WASHER		04
05	0501010059	1.5/8 NUT		02
06	0521062444	TRACTOR HITCH		01
07	0501010191	1" X 6" BOLT		01
08	0503010340	1" NUT		02
09	0501068993	0.9" X 5.5" COUPLING SHAFT		01
10	0503010571	1/4" X 1.1/2" SPLIT PIN		01
11	0501018191	BARRANG BOLT		02

ADJUSTMENT LEVER ASSY

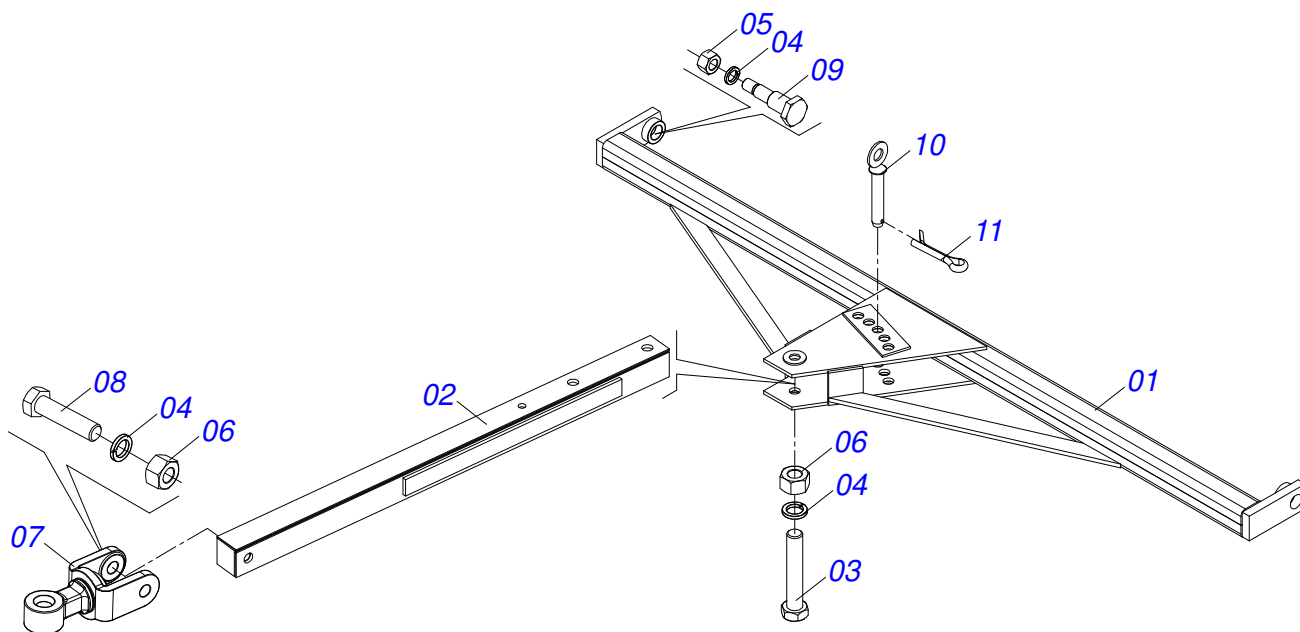


Item	Code	Description	See page	QT
01	0501060185	ADJUSTMENT LOCK		01
02	0501068981	ADJUSTMENT LEVER		01
03	0521010624	0.4" X 1.5" COUPLING SHAFT		01
04	0503010071	3/16" X 1" SPLIT PIN		01
05	0503030025	1.4" X 0.2" TORSION SPRING		01



Item	Code	Description	See page	QT
01	0501064679	FRONT FRAME 52		01
02	0501064611	REAR FRAME 52		01
03	0531019497	1.5" X 9.2" ARTICULATED AXIS		04
04	0503010010	1/4" X 2.1/2" SPLIT PIN		04
05	0501043082	DRAWBAR ASSY	8	01
06	0501063963	FRONT SCRAPER		17
07	0501063962	REAR SCRAPER		17
08	0503011082	C1/2" X 1.3/4" SCREW		68
09	0511017302	FLAT WASHER 13,50 X 32,50 X 3,0 ZN		68
10	0503010019	1/2" SPRING WASHER		68
11	0503010060	1/2 UNC G.5 ZN HEX NUT		68
12	0501047858	ADJUSTMENT LEVER ASSY	6	01
13	0501011649	U 1.2" X 3.1" X 3/16" BAR		01
14	0501064197	ADJUSTMENT BAR		01
15	0501040852	1" X 4" BOLT ASSY		01
15A	0503011432	BOLT		01
15B	0503010012	1" SPRING WASHER		01
15C	0501010059	1.5/8 NUT		01
16	0501064509	FRONT STABILIZER BAR		01
17	0501064508	REAR STABILIZER BAR 1360		01
18	0501040343	HITCH AXIS ASSY		01
18A	0521010453	JOINT AXIS		01
18B	0503031035	HITCH PIN CLIP		01
19	0503010002	1800 GREASE FITTING		04
20	0501010198	1-1/4" CABLE FLAT WRENCH		02
21	0511018451	5/8" X 3/4" X 1" UNIVERSAL		01
22	0501068273	5/8" WRENCH		01
23	0531019540	FLAT WASHER		04
24	0501011301	1.1/2" UNC 6FPP 2.5/16" NUT		04
25		DISC GANG - 24/28/32/36/40/44/48/52D (MIXED 9 DISCS)		
26		DISC GANG - 28/32/48/52D (PLAIN DISCS)	11	

DRAWBAR ASSY

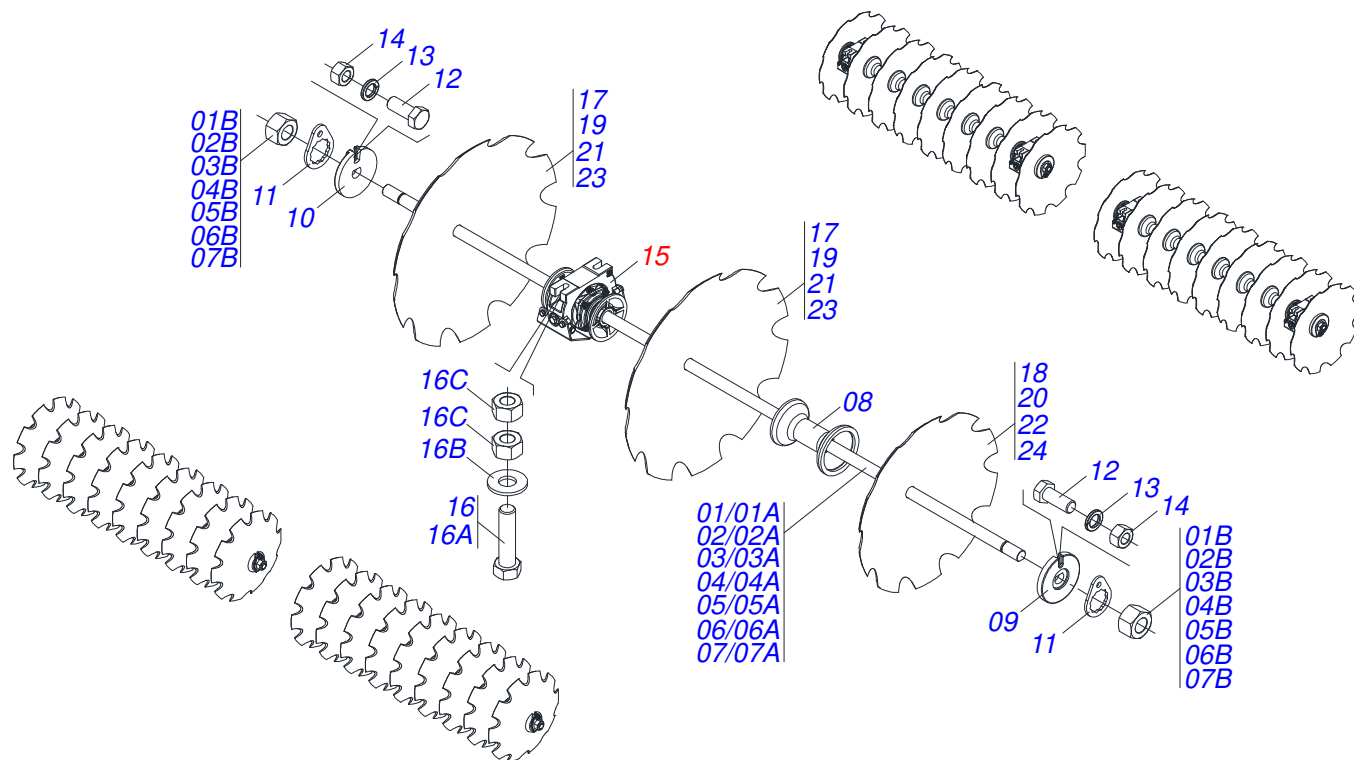


Item	Code	Description	See page	QT
01	0501064920	89.4" OFFSET BAR		01
02	0501060188	DRAWBAR ASSY		01
03	0501010191	1" X 6" BOLT		01
04	0503010012	1" SPRING WASHER		04
05	0503010340	1" NUT		02
06	0501010059	1.5/8 NUT		02
07	0521061775	TRACTOR HITCH		01
08	0501010060	1" X 6-1/2" BOLT		01
09	0501018191	BARRANG BOLT		02
10	0501068993	0.9" X 5.5" COUPLING SHAFT		01
11	0503010523	1/4 X 2 SPLIT PIN		01







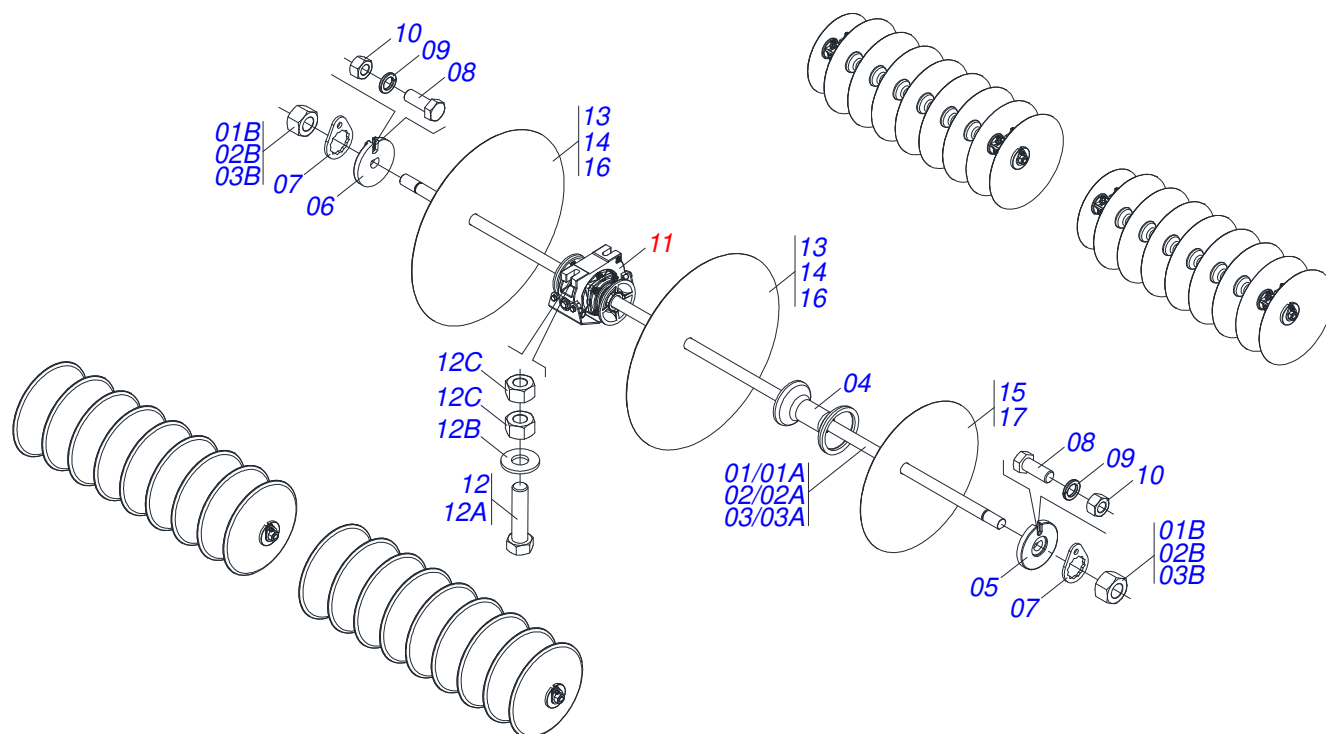


Item	Code	Description	See page	24	28	32	36	40	44	48
01	0501042965	1-1/4" X 89" AXLE WITH NUTS		02	00	00	00	00	00	00
01A	0501017354	1-1/4" X 89" AXLE		01	00	00	00	00	00	00
01B	0501010087	1.1/4" NUT		02	00	00	00	00	00	00
02	0501042202	1-1/4" X 50" AXLE WITH NUTS		00	04	00	00	00	00	00
02A	0501016650	1-1/4" X 50" AXLE		00	01	00	00	00	00	00
02B	0501010087	1.1/4" NUT		00	02	00	00	00	00	00
03	0501042942	1-1/4" X 58" AXLE WITH NUTS		00	00	04	00	00	00	00
03A	0501017379	1-1/4" X 58" AXLE		00	00	01	00	00	00	00
03B	0501010087	1.1/4" NUT		00	00	02	00	00	00	00
04	0501040694	1-1/4" X 66" AXLE WITH NUTS		00	00	00	04	00	00	00
04A	0501010439	1-1/4" X 66" AXLE		00	00	00	01	00	00	00
04B	0501010087	1.1/4" NUT		00	00	00	02	00	00	00
05	0501042947	1-1/4" X 74" AXLE WITH NUTS		00	00	00	00	04	00	00
05A	0501017377	1-1/4" X 74" AXLE		00	00	00	00	01	00	00
05B	0501010087	1.1/4" NUT		00	00	00	00	02	00	00
06	0501042262	1-1/4" X 35" AXLE WITH NUTS		00	00	00	00	00	04	00
06A	0501016647	1-1/4" X 35" AXLE		00	00	00	00	00	01	00
06B	0501010087	1.1/4" NUT		00	00	00	00	00	02	00
07	0501042201	1.1/4" X 1090 AXLE WITH NUTS		00	00	00	00	00	04	08
07A	0501016649	1.1/4" X 1090 AXLE		00	00	00	00	00	01	01
07B	0501010087	1.1/4" NUT		00	00	00	00	00	02	02
08	0502010549	7.6" X 1-1/4" SPACER		16	16	20	20	24	20	24
09	0502010834	1-1/4" INNER AXLE WASHER		02	04	04	04	04	08	08
10	0502010835	1-1/4" EXTERNAL AXLE WASHER		02	04	04	04	04	08	08
11	0501010455	1.1/4" NUT LOCK		04	08	08	08	08	16	16
12	0503010395	1/2" X 1-1/4" BOLT		04	08	08	08	08	16	16
13	0503010019	1/2" SPRING WASHER		04	08	08	08	08	16	16
14	0503010060	1/2 UNC G.5 ZN HEX NUT		04	08	08	08	08	16	16
15	0521047189	7.58" X 1.1/4" BEARING WITH PROTECTION	12	06	08	08	12	12	16	16
16	0521059224	BOLT ASSEMBLY 5/8 UNC X 2.3/4		12	16	16	24	24	32	32
16A	0501013233	5/8" X 2-3/4" BOLT		01	01	01	01	01	01	01
16B	0501012140	FLAT WASHER 16,50 X 40 X 4,00 ZN		01	01	01	01	01	01	01

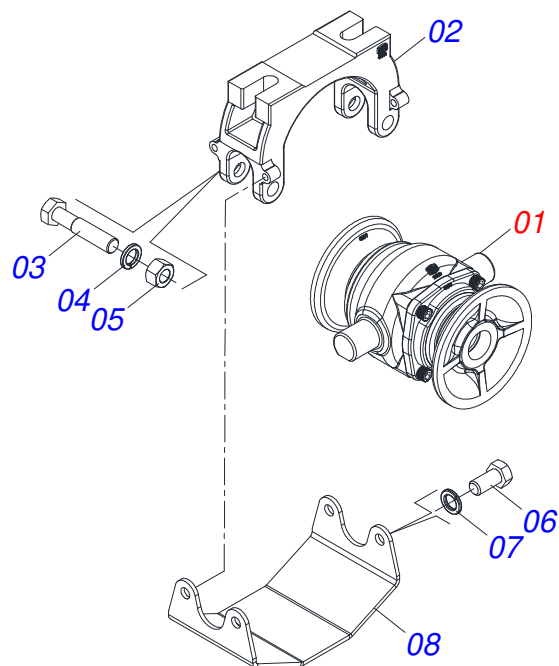


**GN 24/28/32/36/40/44/48/52D - 1.1/4" SHAFT**  
**DISC GANG - 24/28/32/36/40/44/48D (NOTCHED DISCS)**

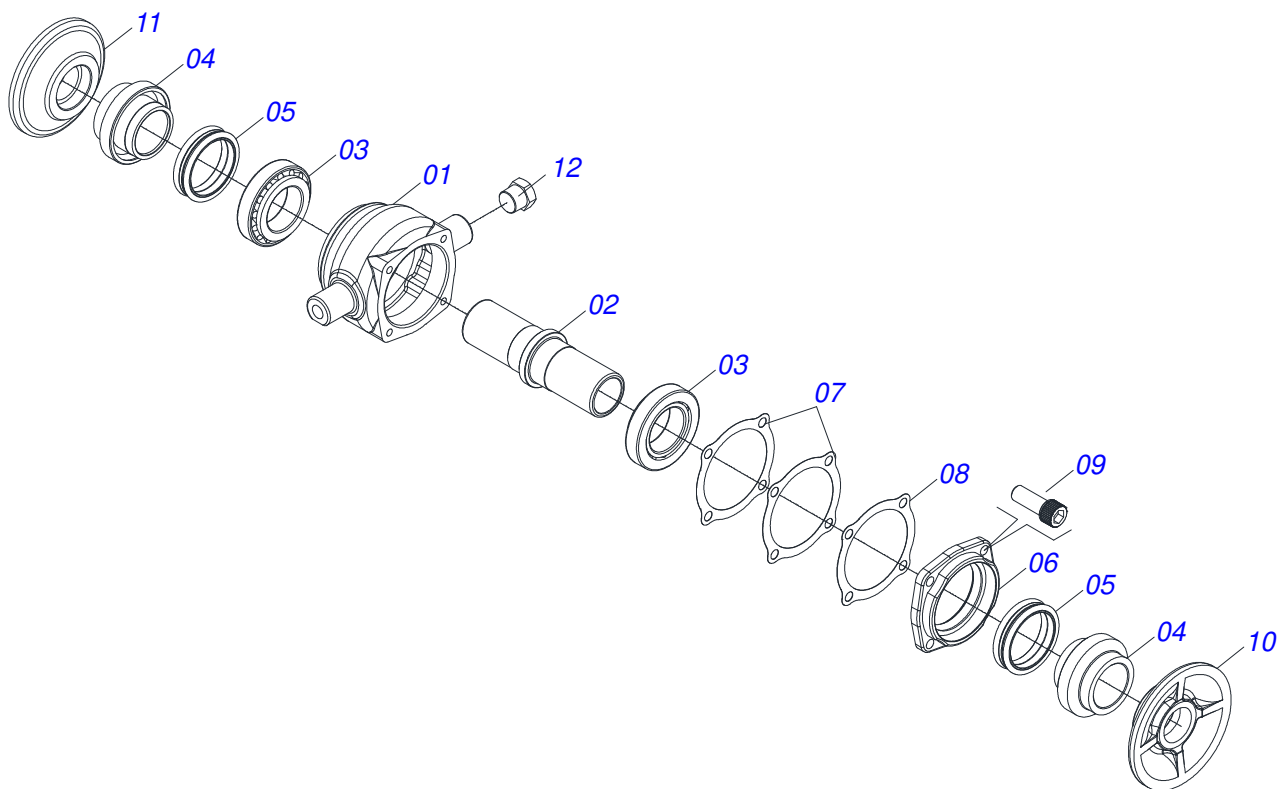
Item	Code	Description	See page	24	28	32	36	40	44	48
16C	0503010013	5/8 UNC G.5 ZN HEX NUT		02	02	02	02	02	02	02
17	0602027340	DR 20 X 3,50 C57AF02FR1.5/16 10R		22	26	30	34	38	42	46
18	0602025259	DR 18 X 3,00 C45AF02FR1.5/16 9R		02	02	02	02	02	02	02
19	0602029420	DR 22 X 3,50 C64AF02FR1.5/16 D126 10R		22	26	30	34	38	42	46
20	0602027340	DR 20 X 3,50 C57AF02FR1.5/16 10R		02	02	02	02	02	02	02
21	0602029417	DR 22 X 4,00 C64AF02FR1.5/16 10R		22	26	30	34	38	42	46
22	0602027349	DR 20 X 4,00 C53AF02FR1.5/16 10R		02	02	02	02	02	02	02
23	0602029421	DR 22 X 4,50 C64AF02FR1.5/16 10R		22	26	30	34	38	42	46
24	0602027340	DR 20 X 3,50 C57AF02FR1.5/16 10R		02	02	02	02	02	02	02



Item	Code	Description	See page	28	32	48	52
01	0501042202	1-1/4" X 50" AXLE WITH NUTS		04	00	00	04
01A	0501016650	1-1/4" X 50" AXLE		01	00	00	01
01B	0501010087	1.1/4" NUT		02	00	00	02
02	0501042942	1-1/4" X 58" AXLE WITH NUTS		00	04	00	00
02A	0501017379	1-1/4" X 58" AXLE		00	01	00	00
02B	0501010087	1.1/4" NUT		00	02	00	00
03	0501042201	1.1/4" X 1090 AXLE WITH NUTS		00	00	08	04
03A	0501016649	1.1/4" X 1090 AXLE		00	00	01	01
03B	0501010087	1.1/4" NUT		00	00	02	02
04	0502010549	7.6" X 1-1/4" SPACER		16	20	24	28
05	0502010834	1-1/4" INNER AXLE WASHER		04	04	08	08
06	0502010835	1-1/4" EXTERNAL AXLE WASHER		04	04	08	08
07	0501010455	1.1/4" NUT LOCK		08	08	16	16
08	0503010395	1/2" X 1-1/4" BOLT		08	08	16	16
09	0503010019	1/2" SPRING WASHER		08	08	16	16
10	0503010060	1/2 UNC G.5 ZN HEX NUT		08	08	16	16
11	0521047189	7.58" X 1.1/4" BEARING WITH PROTECTION	12	08	08	16	16
12	0521059224	BOLT ASSEMBLY 5/8 UNC X 2.3/4		16	16	32	32
12A	0501013233	5/8" X 2-3/4" BOLT		01	01	01	01
12B	0501012140	FLAT WASHER 16,50 X 40 X 4,00 ZN		01	01	01	01
12C	0503010013	5/8 UNC G.5 ZN HEX NUT		02	02	02	02
13	0601027301	DL 20 X 3,50 C57AF02FR1.5/16		28	00	00	00
14	0601029418	DL 22 X 3,50 C64AF02FR1.5/16 D126		00	00	46	50
15	0601027301	DL 20 X 3,50 C57AF02FR1.5/16		00	00	02	02
16	0601029417	DL 22 X 4,50 C64AF02FR1.5/16		00	30	00	00
17	0601027301	DL 20 X 3,50 C57AF02FR1.5/16		00	02	00	00



Item	Code	Description	See page	QT
01	0521050842	7.58" X 1.1/4" BEARING	13	01
02	0502012854	BEARING SUPPORT 182/192,5		01
03	0501011541	5/8 UNC X 3 CS G.5 ZN1K28066 BOLT		02
04	0503010027	5/8 SPRING WASHER		02
05	0503010013	5/8 UNC G.5 ZN HEX NUT		02
06	0503011334	3/8 UNC X 3/4 CS G.5 ZN BOLT		04
07	0503010025	3/8" SPRING WASHER		04
08	0581014143	SWIVEL OIL BATH BEARING WEAR PLATE		01



Item	Code	Description	See page	QT
01	0502012839	BEARING HOUSING 182/192,5		01
02	0502040060	AXLE CM/DM 182/192,5 SKF 32210		01
03	0503010006	32210 ROLLER BEARING		02
04	0502010541	SEAL HOLDER		02
05	0503030026	SEAL LP JB-253		02
06	0502020424	HOUSING CAP 182/192,225		01
07	0503030013	4.4" X 3.5" X 0.004" JOINT		02
08	0503030684	4.4" X 3.5" X 0.004" JOINT		01
09	0503010134	3/8" X 1" BOLT		04
10	0502010070	OUTER FLANGE		01
11	0502010071	INNER FLANGE		01
12	0503010856	OIL PLUG R 3/8 BSPT		02





**MARCHESAN**

**Technical Publications | Elaboration and Revision**

LEONARDO JOSÉ DA SILVA SOUZA

[www.marchesan.com.br](http://www.marchesan.com.br)

