

CHASER BIN

DCO/V 6000

Code: 0501099000
Series: S-0422
Revision: 00
Date Revision: JUNHO/2023

PARTS CATALOGUE



MARCHESAN



PRODUCTS

Code	Description
0109090438	DCO/V 6000 ACION HIDR PN 750 16-10L S-0422
0109090441	DCO/V 6000 KIT DCCO / DIREC S-0422
0109090435	DCO/V 6000 KIT DCCO / DIREC/ ACION HIDR S-0422
0109090437	DCO/V 6000 KIT DCCO ACION HID PN 750 16-10L S-0422
0109090436	DCO/V 6000 KIT DCCO ACION HIDR PN 11L-15 S-0422
0109090442	DCO/V 6000 KIT DCCO PN 11L-15 S-0422
0109090443	DCO/V 6000 KIT DCCO PN 750 16-10L S-0422
0109090444	DCO/V 6000 PN 750 16-10L S-0422

ATTENTION: IMPORTANT

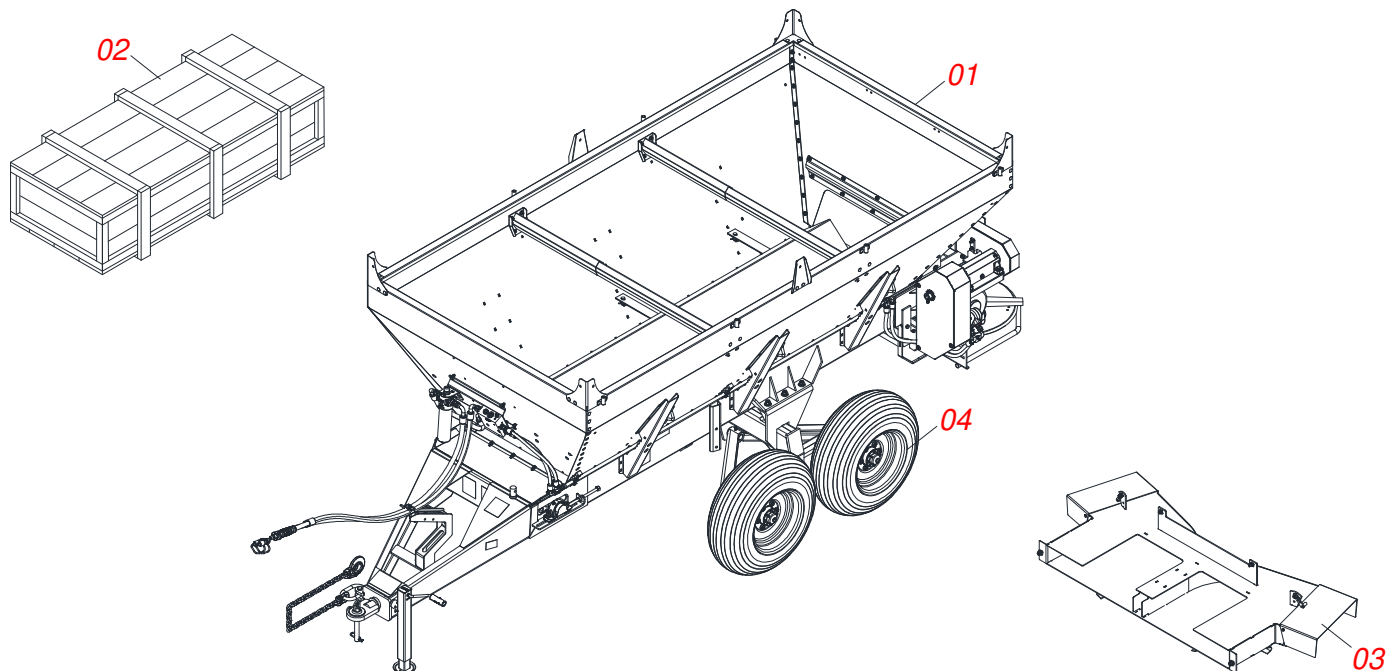
Marchesan S.A. reserves the right to improve and/or modify the technical features of its products, without obligation to do the same with those products already sold and without prior knowledge of the dealer or the customer. The photos are only illustrative.



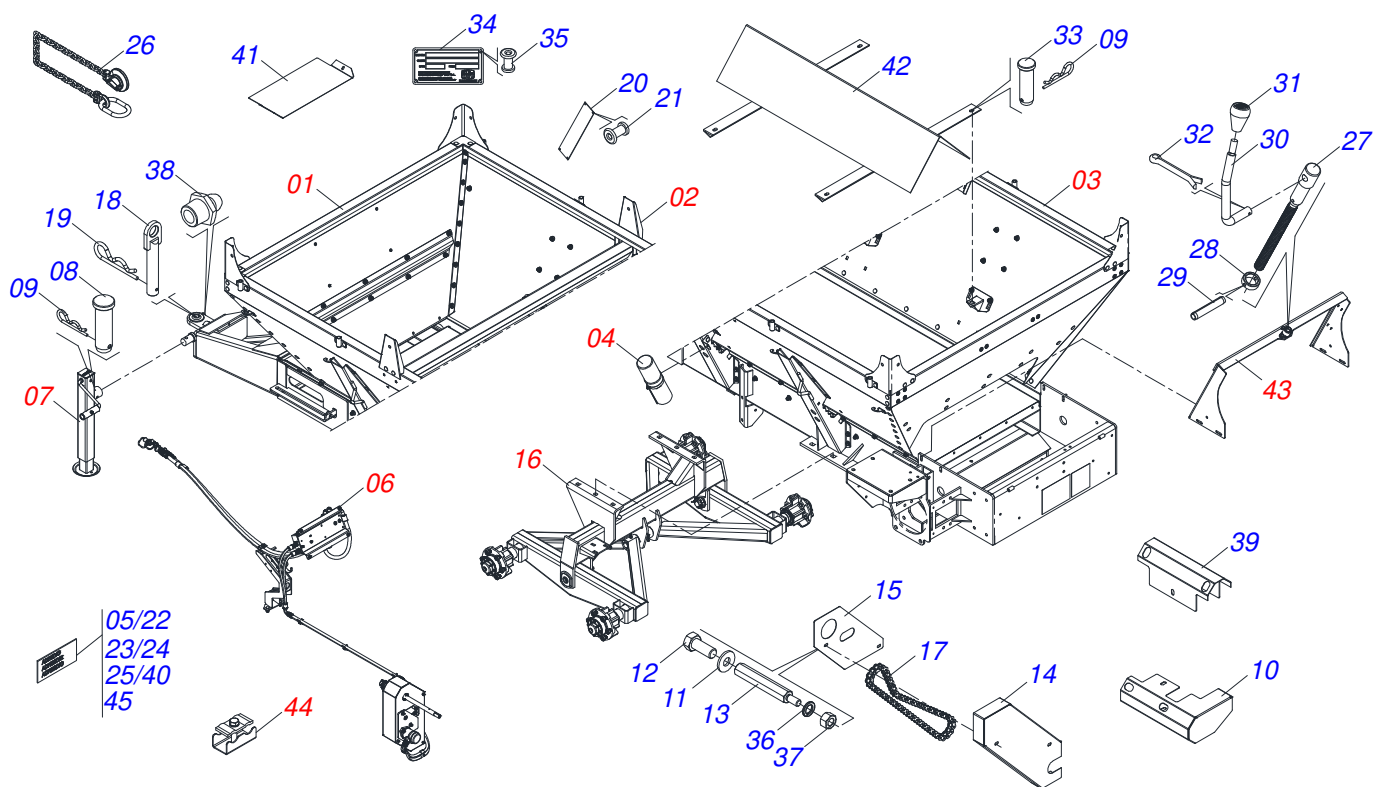
MARCHESAN

INDEX

0909096473	ASSY FRAME	1
0531042715	ASSY FRAME	2
0531055740	SEMI MOUNTED FRAME	3
0501047985	REDUCER	4
0501051774	38Z CROWN	5
0511059108	SLUICE VALVE COVER ASSY	6
0511041213	AGRICULTURAL BEARING	7
0501044308	AGRICULTURAL BEARING ASSY	8
0501044306	BATH BEARING	9
0521053161	CARDAN SUPPORT WITHOUT SPRING	10
0531055528	BUCKET FIXING KIT	11
0531055529	BUCKET ASSY	12
0531058693	STAINLESS STEEL BIN FRONT	13
0531058694	STAINLESS STEEL BIN REAR	14
0531056564	LOCK 1722 ASSY	15
0531055534	ASSY MANUAL/CATAGUE DOOR	16
0531056035	HYDRAULIC DRIVE ASSEMBLY	17
0521058094	SUPPORT HOSE	18
0521057951	SUPPORT SIMPLE HYDRAULIC DRIVE	19
0521057953	BLOCK HYDAC	20
0521057952	FILTER PRES PARKER HDA FP20 10FV 06B LV6	21
0521057599	FILTER PRESS PARKER HDA FP20 10FV 06B LV6 WITH NIPPLE	22
0511054496	TENSIONER SMALEER ASSY	23
0521051671	TENSIONER ASSY GREATEST	24
0511053588	MOTOR HYDRAULIC OMP 80 WITH NIPPLE 7/8 NIPPE 7/8	25
0501053834	MALE QUICK COUPLER	26
0511041259	DRAWBAR JACK ASSY	27
0511044985	BELL CRANK SUPPORT FIXATION	28
0501051142	CARRYING WHEEL HUB	29
0531055517	COMPLETE SUPPORT WITH BEARING	30
0511059094	SHAFT BEARING THREADED	31
0531056577	STAINLESS STEEL CLIP	32
0531042718	ASSY FRAME	33
0531055530	BUCKET FIXING KIT	34
0501048241	DRIVE SHAFT	35
0501048783	DRIVE SHAFT	36
0521024238	TRANSFORMATION KIT	37
0521052547	TRANSFORMATION KIT	38
0501057322	TRANSMISSION AXLE	39
0501057196	BELT TENSIONER ASSY	40
0501057193	DISC SUPPORT	41
0501048000	AGRICULTURAL BEARING	42
0501057323	DEFLECTOR	43
0501053870	DISTRIBUTOR RIGHT DISC ASSY	44
0501053871	DISTRIBUTOR LEFT DISC ASSY	45
0521024237	TRANSFORMATION KIT	46
0521052274	489 TRANSMISSION AXLE WITH BEARINGS	47
0521024261	CONTROLLER DCO/V ASSY	48
0511045359	CONTROLLER DCO/V ASSY	49
0503060206	29.5"X0.6"- 10L WHEEL AND TIRE ASSY	50
0503060181	WHEEL AND TIRE	51



Item	Code	Description	See page	QT
01	0531042715	ASSY FRAME	2	01
01.	0531042718	ASSY FRAME	33	01
02	0521024238	TRANSFORMATION KIT	37	01
02.	0521024237	TRANSFORMATION KIT	46	01
03	0521024261	CONTROLLER DCO/V ASSY	48	01
04	0503060206	29.5"X0.6"- 10L WHEEL AND TIRE ASSY	50	04
04.	0503060181	WHEEL AND TIRE	51	04

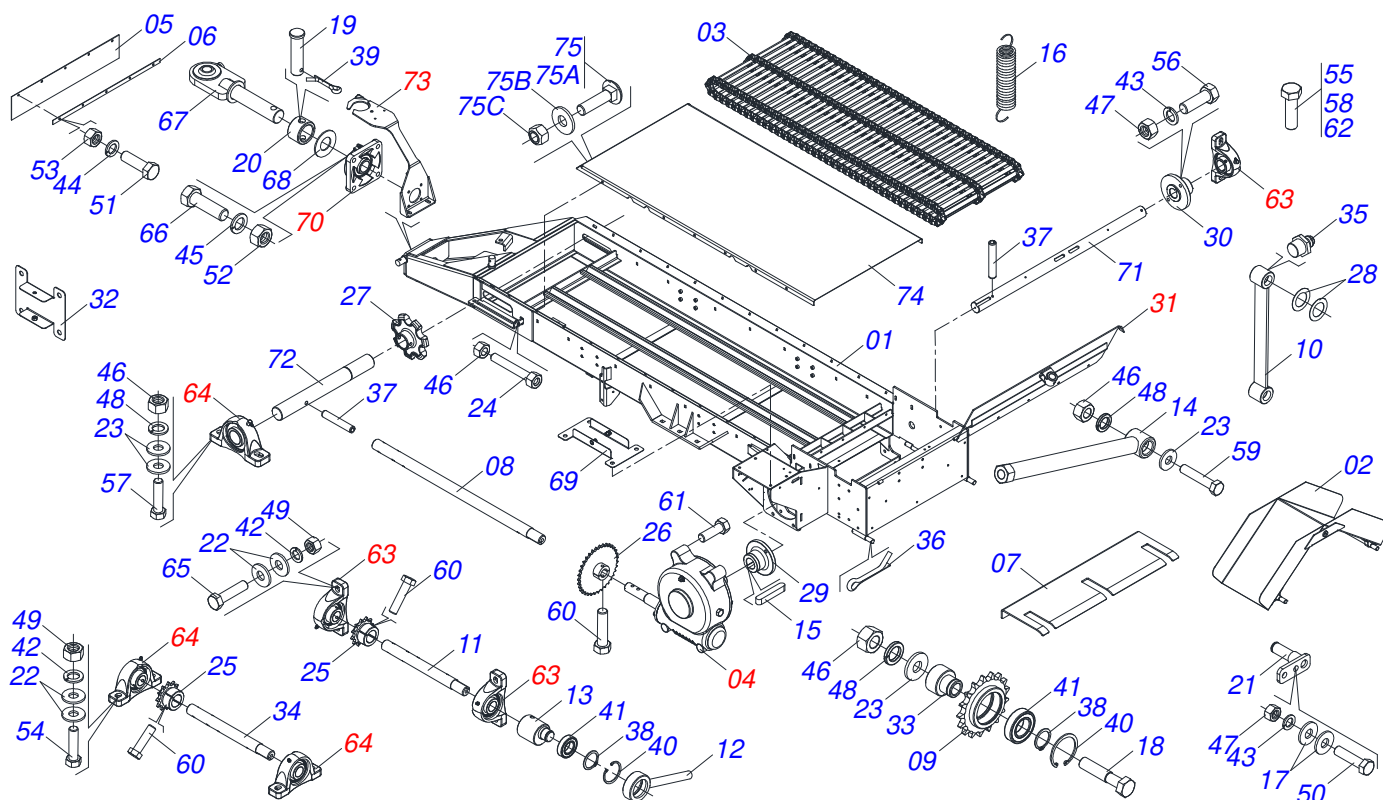


Item	Code	Description	See page	QT
01	0531055732	SEMI MOUNTED FRAME		01
02	0531055528	BUCKET FIXING KIT	11	01
03	0531055529	BUCKET ASSY	12	01
04	0531055534	ASSY MANUAL/CATAGUE DOOR	16	01
05	0503068386	SET LABEL ADHESIVE		01
06	0531056035	HYDRAULIC DRIVE ASSEMBLY	17	01
07	0511041259	DRAWBAR JACK ASSY	27	01
08	0521010549	COUPLING SHAFT		01
09	0503030168	HITCH PIN CLIP		05
10	0581015148	COVER PROTECTION		01
11	0501010984	10,50 X 27 X 3,00 FLAT WASHER		02
12	0503010240	BOLT		02
13	0581015138	3/8 UNC X 5/16 UNC X 82 STUD		02
14	0581015147	COVER PROTECTION		01
15	0581015146	REAR SHIELD		01
16	0511044985	BELL CRANK SUPPORT FIXATION	28	01
17	0503014299	50-1 X 71 CHAIN LINK + MENDING + REDUCTION		01
18	0501068989	COUPLING SHAFT		01
19	0503031035	HITCH PIN CLIP		01
20	0503030751	REGULATOR PLATE		01
21	0503010001	3.2 X 5.5 RIVET		04
22	0503031859	ADHESIVE LABEL DANGER		01
23	0503031827	LUBRICATE AND RETIGHTEN DAILY DECAL		02
24	0503031809	ADHESIVE LABEL		01
25	0503032425	ADHESIVE LABEL ATTENTION		01
26	0503013150	1300 X 3/8 CHAIN		01
27	0561014861	REGULATOR		01
28	0511013015	SLEEVE		01
29	0503010561	SPRING PIN		01
30	0521011107	CRANK BODY		01
31	0503030878	LEVER CRANK		01



DCO/V 6000
ASSY FRAME

Item	Code	Description	See page	QT
32	0503010257	1/8" X 1" COTTERPIN		01
33	0521017623	0.5" X 1.5" COUPLING SHAFT		04
34	0503034003	SERIAL NUMBER TAG 61 X 118		01
35	0503012209	RIVET POP		04
36	0503010025	3/8 SPRING WASHER		02
37	0503010026	3/8" NUT		02
38	0503010002	1800 GREASE FITTING		01
39	0581015152	COVER PROTECTION		01
40	0503035156	LABEL ADHESIVE		01
41	0501214860	FRONT PROTECTION		01
42	0531064263	DEFLECTOR		01
43	0531055517	COMPLETE SUPPORT WITH BEARING	30	01
44	0531056577	STAINLESS STEEL CLIP	32	02
45	0503036144	MAXIMUM SPEED ADHESIVE LABEL		01

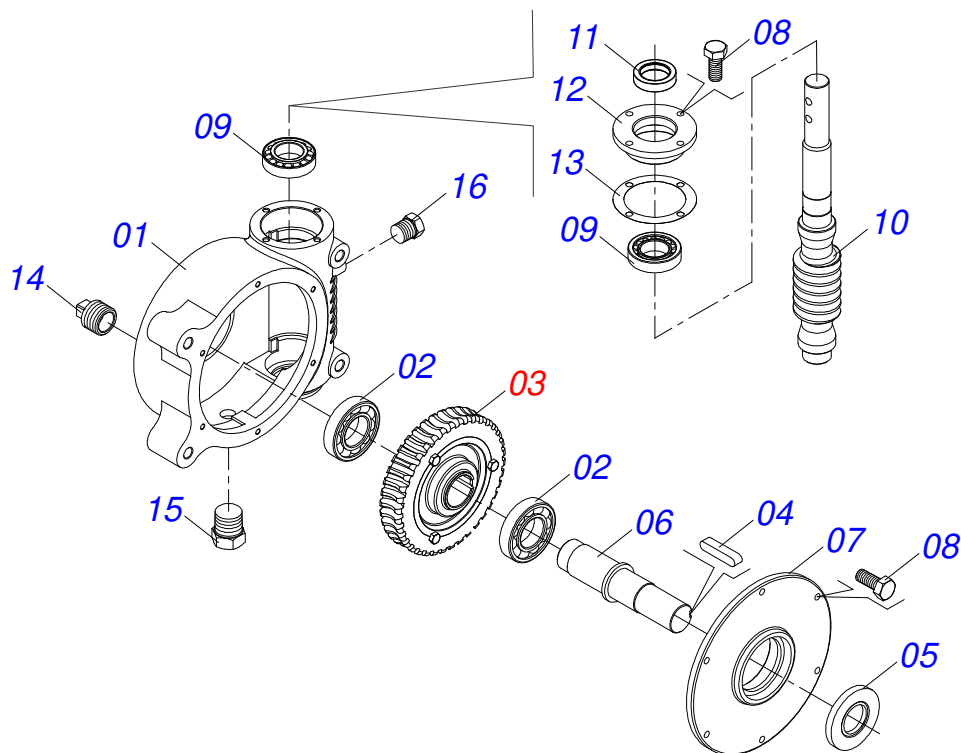


Item	Code	Description	See page	QT
01	0531063958	SEMI MOUNTED FRAME		01
02	0511067546	SHATTERING SPOUT		01
03	0511063406	DRIVE THE TRANSPORT TALISCA		01
04	0501047985	REDUCER	4	01
05	0531014336	31.4"X3.1"X 0.1" PROTECTION SMALLER		01
06	0531014331	SLUICE VALVE FIXER COVER		01
07	0531014324	TOOTH COVER		01
08	0521011192	1800 FRONT DRIVE AXLE		01
09	0511061836	17Z GEAR		01
10	0511067541	POINT MOBILE ARM		04
11	0551010647	SMALLER TRANSMISSION AXLE		01
12	0511067542	SMALLER JACK		01
13	0551010648	POINT ECCENTRIC		01
14	0511067543	LARGER JACK		01
15	0501010540	KEYWAY SQUARE		01
16	0503030198	0.6" X 2.4" X 0.1" EXTENSION SPRING		01
17	0501010984	10,50 X 27 X 3,00 FLAT WASHER		15
18	0501011541	5/8" X 3" BOLT		01
19	0521010639	COUPLING SHAFT		01
20	0521010681	BUSHING COUPLING BODY		01
21	0501067692	BELT TENSIONER BODY		01
22	0511017302	FLAT WASHER 13,50 X 32,50 X 3,0 ZN		10
23	0501012140	FLAT WASHER		35
24	0501067853	ROD STABILIZER		02
25	0501069017	12Z GEAR		03
26	0501069020	35Z GEAR		02
27	0591016380	GEAR		01
28	0521015818	FLAT WASHER		32
29	0511016541	REDUCTION COUPLING FLANGE		01
30	0511016540	MAT COUPLING FLANGE		01
31	0511059108	SLUICE VALVE COVER ASSY	6	01

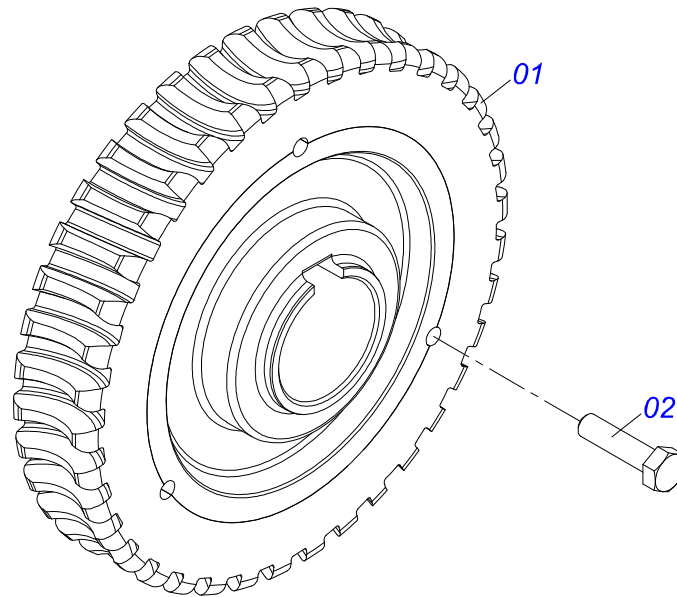


DCO/V 6000
SEMI MOUNTED FRAME

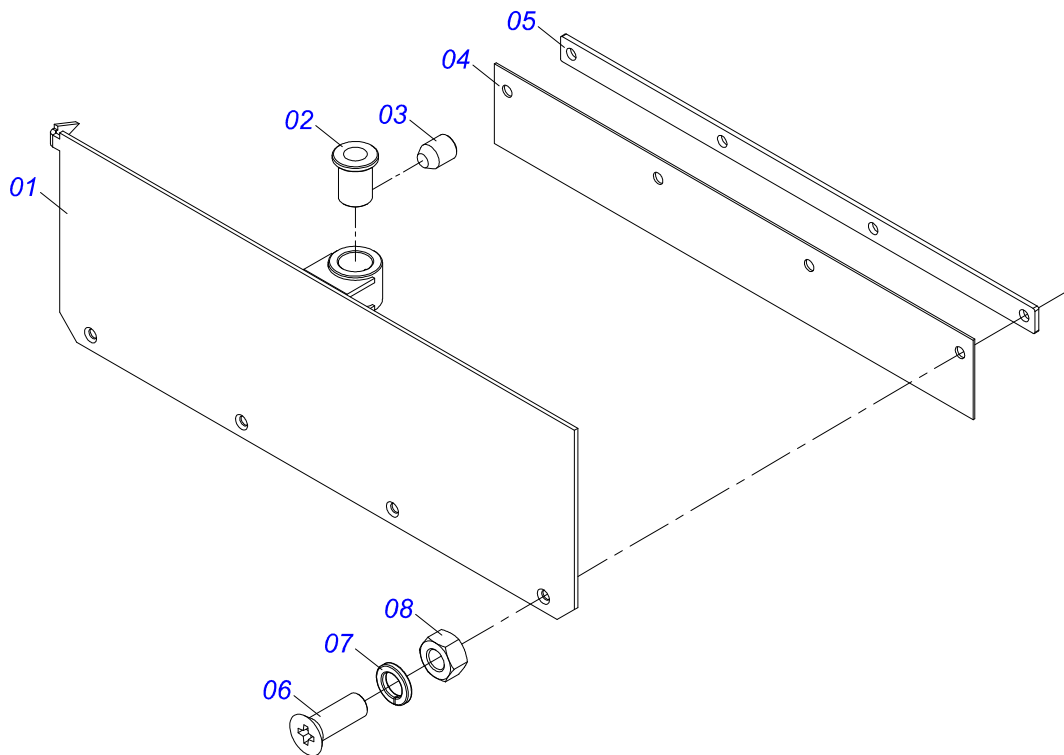
Item	Code	Description	See page	QT
32	0521068108	FIXER PROTECTION COVER		01
33	0581015136	40MM STRETCHING SHAFT		01
34	0581016318	GREATER TRANSMISSION AXLE		01
35	0503010002	1800 GREASE FITTING		09
36	0503010131	3/16" X 1-1/2" COTTERPIN		08
37	0503010361	SPRING PIN		06
38	0503010406	501025 CLAMPING RING (FOR AXLE)		02
39	0503010571	1/4" X 1.1/2 COTTERPIN		01
40	0503011105	SEAL RING		02
41	0503011410	ROLLER BEARING		02
42	0503011440	SPRING WASHER		06
43	0503011443	3/8" SPRING WASHER		16
44	0503011444	SPRING WASHER		05
45	0503011446	SPRING WASHER		04
46	0503010013	5/8 NUT		20
47	0503010026	3/8" NUT		22
48	0503010027	5/8 SPRING WASHER		22
49	0503010060	1/2 UNC G.5 ZN HEX NUT		06
50	0503010237	3/8" X 1" BOLT		07
51	0503010240	BOLT		05
52	0503010244	7/16" NUT		04
53	0503010337	5/16" NUT		05
54	0503010740	BOLT 1/2 UNC X 2 CS G.5 ZN		02
55	0503010751	C3/8" X 1.1/4" HEX BOLT G.5		04
56	0503010849	3/8" X 1-1/2" BOLT		02
57	0503010899	5/8 UNC X 2.1/4 BOLT		16
58	0503010920	1/2 UNC X 1.1/2 C S G.5 ZN BOLT		02
59	0503010967	SCREW 5/8 UNC X 5.1/2 CS G.5 ZN		01
60	0503011141	3/8" X 2-3/4" BOLT		03
61	0503011167	M16 X 2 X 30 BOLT		04
62	0503011268	3/8" X 2-1/2" BOLT		03
63	0511041213	AGRICULTURAL BEARING	7	06
64	0501044308	AGRICULTURAL BEARING ASSY	8	04
65	0503010905	1/2" X 2-1/4" BOLT		02
66	0503011135	BOLT		04
67	0521068793	TRACTOR TRACTOR		01
68	0501015875	FLAT WASHER		01
69	0521068109	FIXER PROTECTION COVER		01
70	0501044306	BATH BEARING	9	01
71	0591016381	DRIVING AXLE		01
72	0591016382	DRIVEN AXLE		01
73	0521053161	CARDAN SUPPORT WITHOUT SPRING	10	01
74	0501213974	STAINLESS FLOOR		01
75	0541050866	STAINLESS STEEL PLATFORM FIXATION KIT		01
75A	0503012540	3/8" X 1" BOLT		14
75B	0501219147	FLAT WASHER 13 X 24 X 3,00 INOX		14
75C	0503019604	SELF LOCKING HEX NUT WITH NYLON 3/8 UNC 2B		14



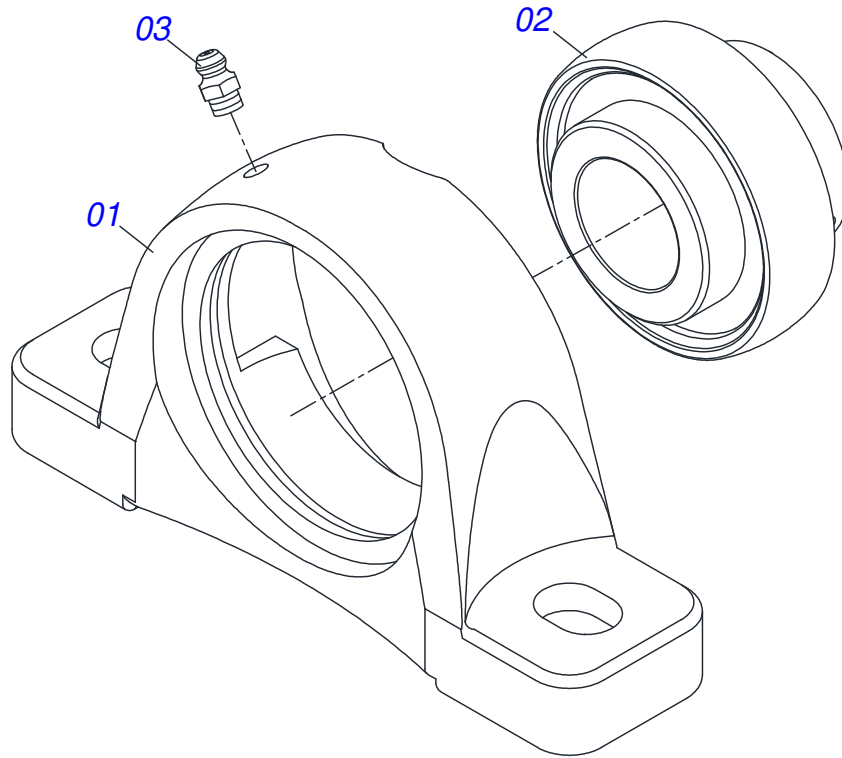
Item	Code	Description	See page	QT
01	0502011456	REDUCTION BOX		01
02	0503011095	6208 BALL BEARING		02
03	0501051774	38Z CROWN	5	01
04	0503011304	1/2" X 2.4" KEYWAY SQUARE		01
05	0503010818	02675-BRG SEAL		01
06	0521010996	AXLE		01
07	0502020556	LARGER COVER		01
08	0503010240	BOLT		10
09	0503010016	BEARING LM		02
10	0521010997	SCREW THEAD		01
11	0503011171	00912-BRG SEAL		01
12	0502011457	SMALLER COVER		01
13	0503030981	102 X 75,5 X 0,10 JOINT		01
14	0521011023	PLUG		01
15	0513010009	LEVEL DISPLAY		01
16	0503010856	OIL PLUG		01



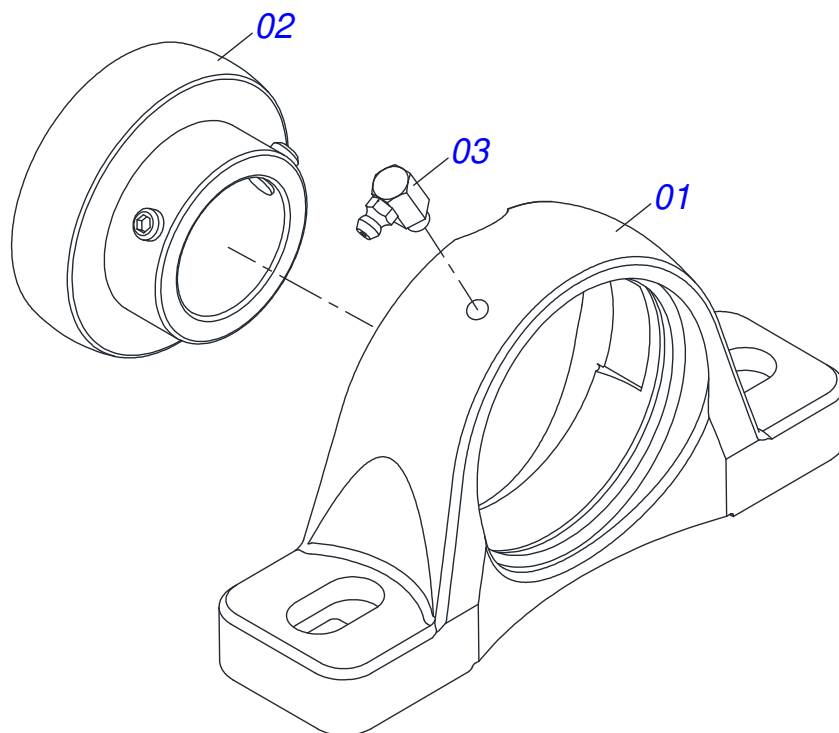
Item	Code	Description	See page	QT
01	0501110280	38Z CONICAL		01
02	0503010365	BOLT 5/16 UNC X 1.1/4 C S G.5 ZN		03



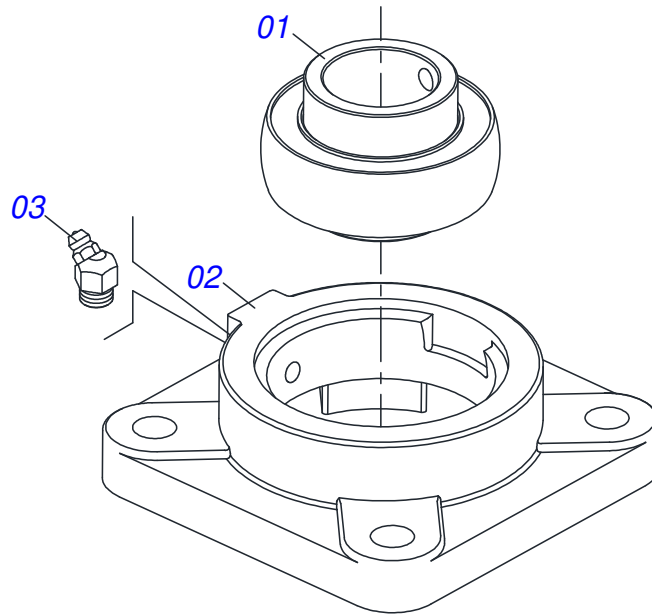
Item	Code	Description	See page	QT
01	0511063413	SLUICE VALVE COVER		01
02	0501019831	ADJUSTING NUT		01
03	0503011148	3/8" X 1/2" BOLT		01
04	0531014336	31.4"X3.1"X 0.1" PROTECTION SMALLER		01
05	0531014331	SLUICE VALVE FIXER COVER		01
06	0503010546	5/16" X 7/8" BOLT		05
07	0503011444	SPRING WASHER		05
08	0503010337	5/16" NUT		05



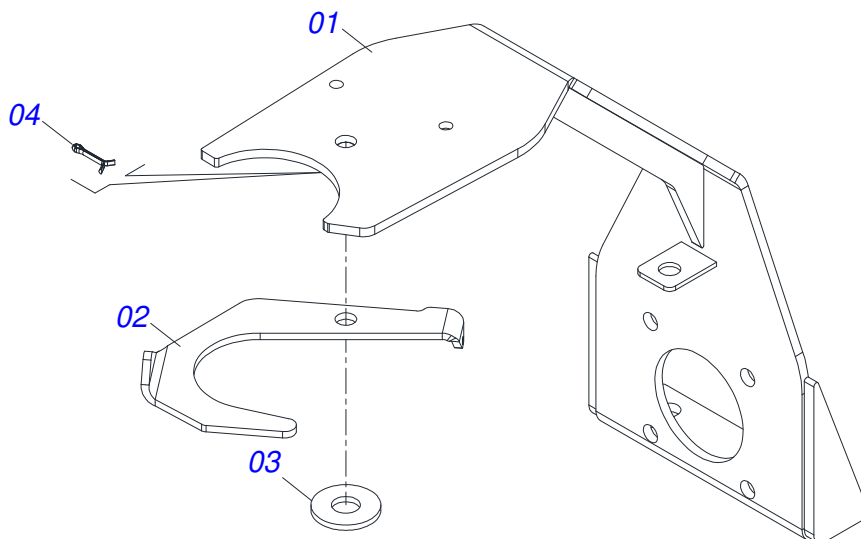
Item	Code	Description	See page	QT
01	0502011954	AGRICULTURAL HOUSING BEARING		01
02	0503011884	BALL BEARING		01
03	0503010691	1/4" GREASE FITTING		01



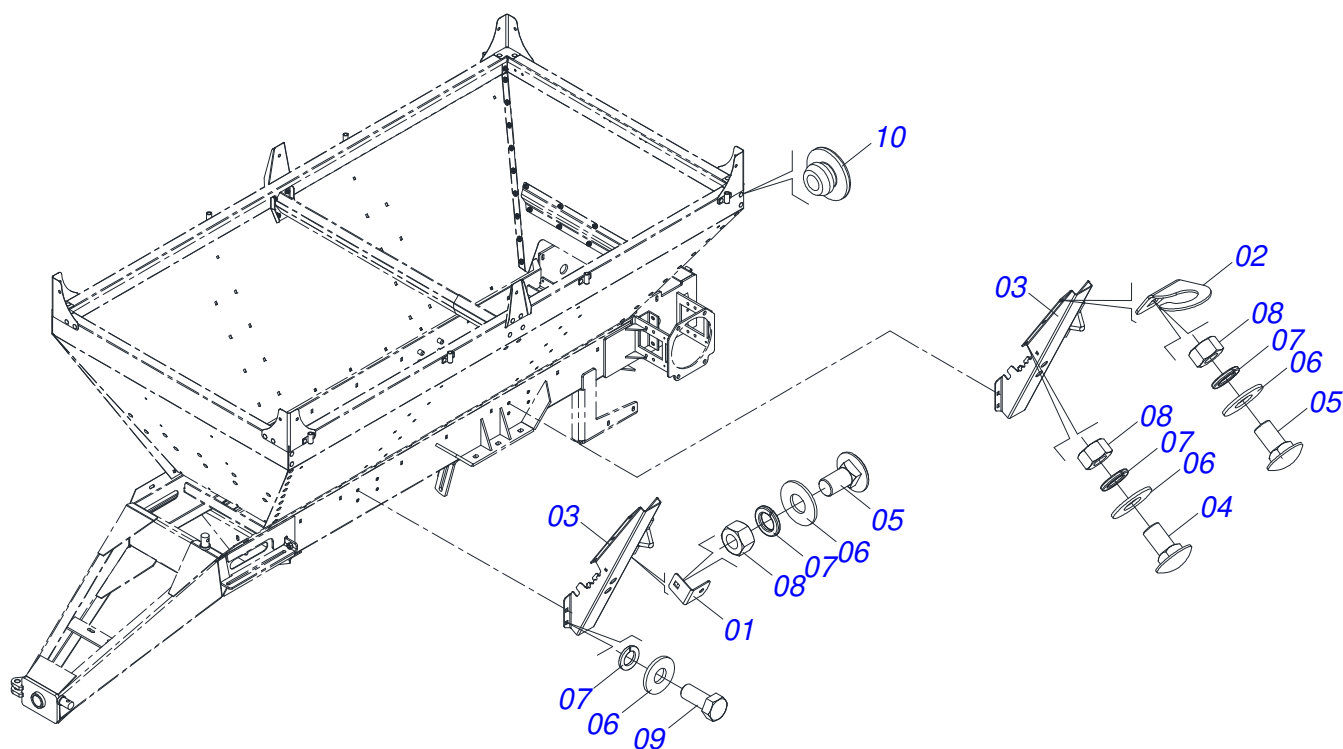
Item	Code	Description	See page	QT
01	0502011050	AGRICULTURAL HOUSING BEARING		01
02	0503011163	1108/UCR BEARING ASSY		01
03	0503010004	1890 GREASE FITTING		01



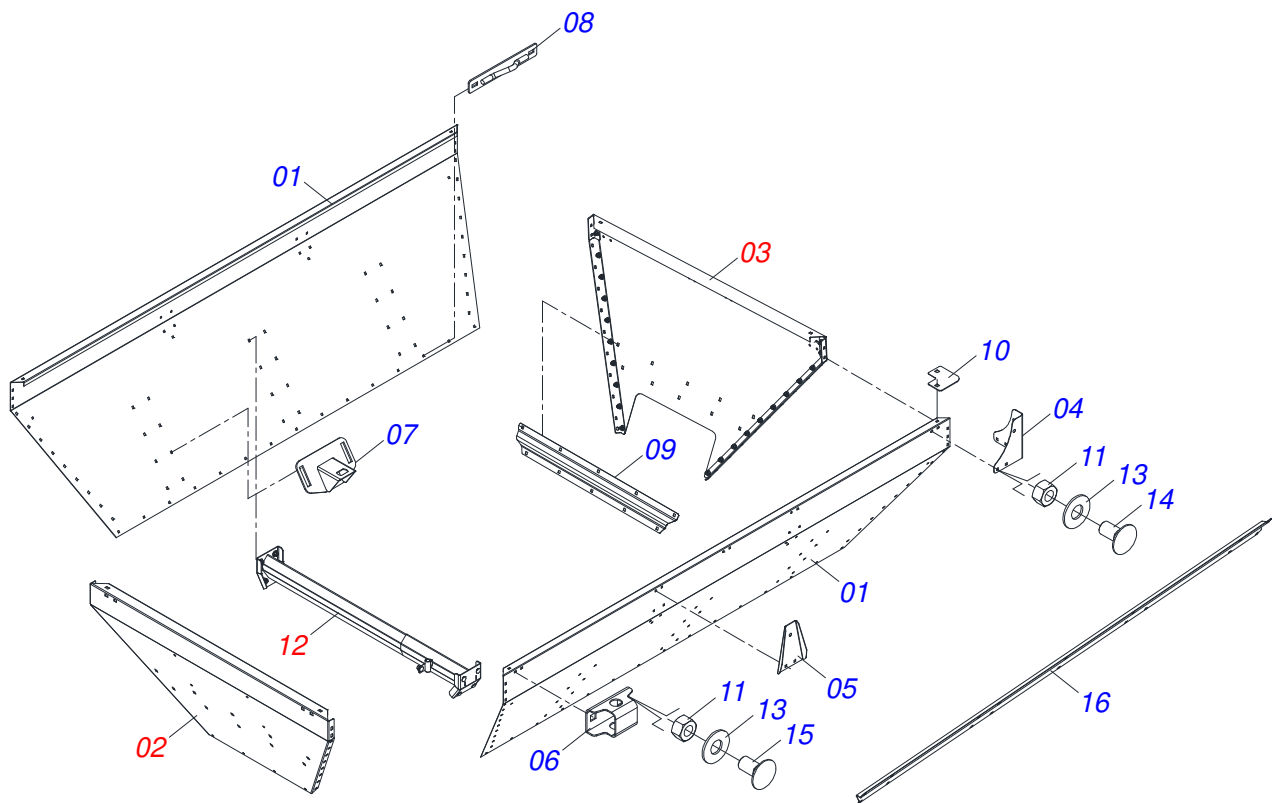
Item	Code	Description	See page	QT
01	0503011162	BALL BEARING		01
02	0503011146	HOUSING BEARING		01
03	0503011099	GREASE FITTING		01



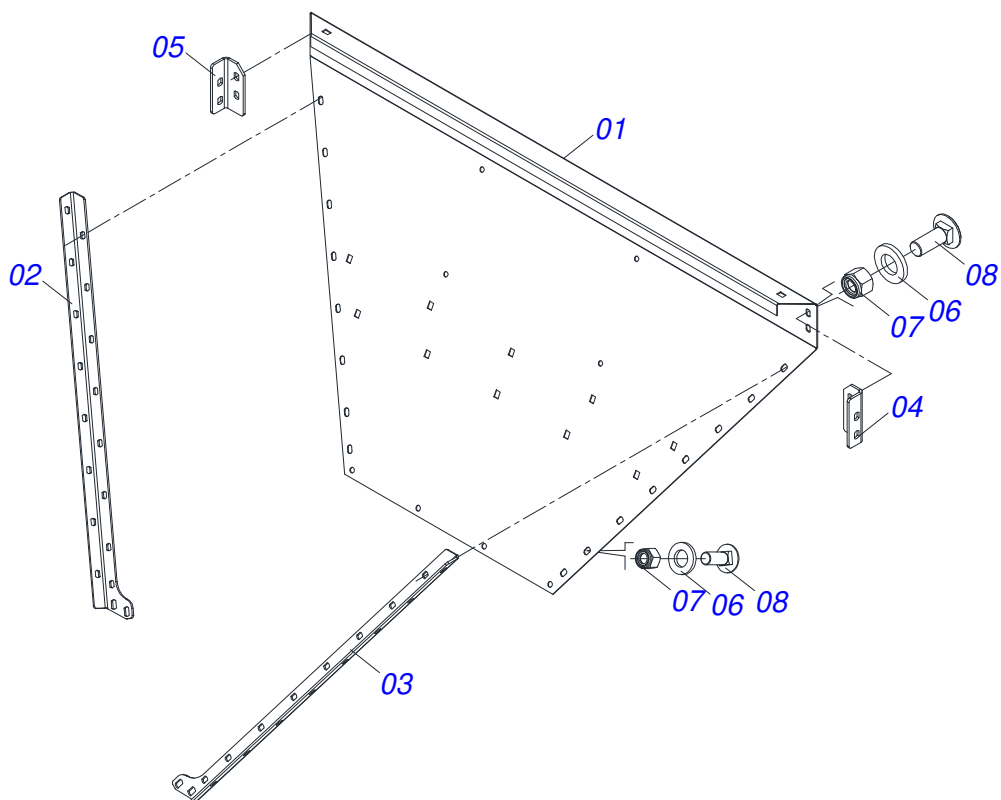
Item	Code	Description	See page	QT
01	0521068817	SUPPORT SUSTENANCE CARDAN		01
02	0511014066	SMALLER CARDAN SUPPORT		01
03	0511017302	FLAT WASHER 13,50 X 32,50 X 3,0 ZN		01
04	0503010257	1/8" X 1" COTTERPIN		01



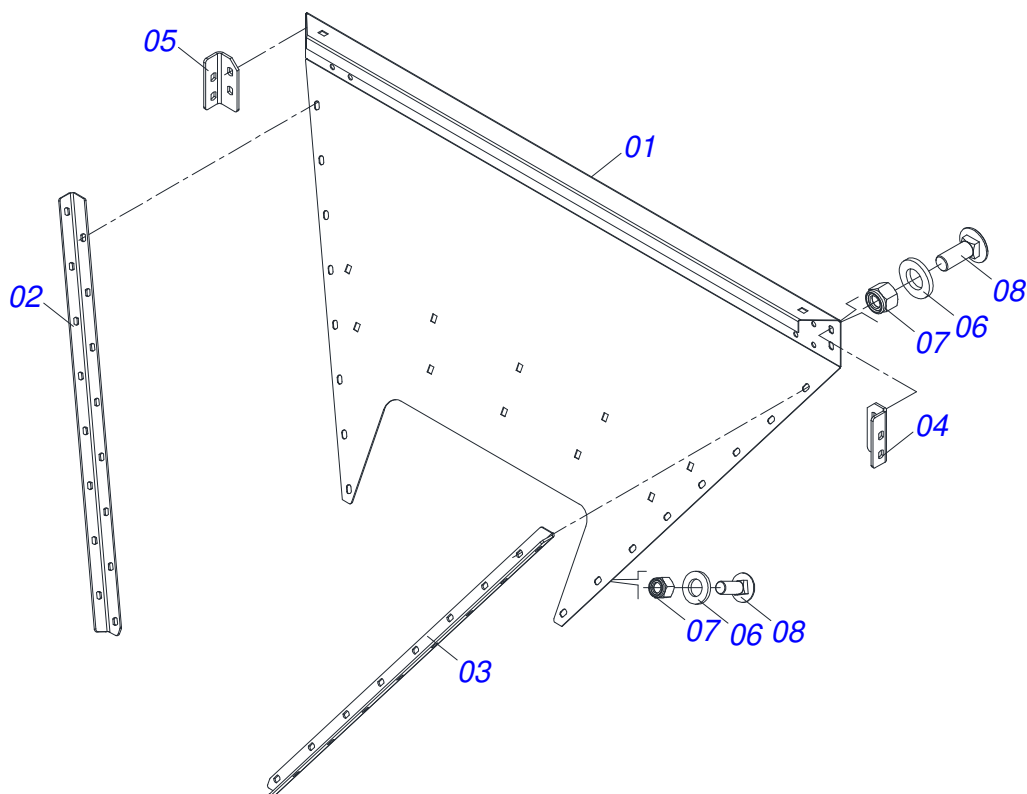
Item	Code	Description	See page	QT
01	0501213938	STAINLESS MANUAL DOOR FIXING		01
02	0501213941	FIXATION STAINLESS STEEL		08
03	0531063949	BIN REINFORCEMENT		04
04	0503012540	3/8" X 1" BOLT		30
05	0503013755	3/8" UNC X 3/4" CS BOLT		39
06	0503016878	FLAT WASHER		85
07	0503012535	3/8" SPRING WASHER		85
08	0503012531	3/8" INOX NUT		69
09	0503010237	3/8" X 1" BOLT		16
10	0513010228	HOLE PLUG		16



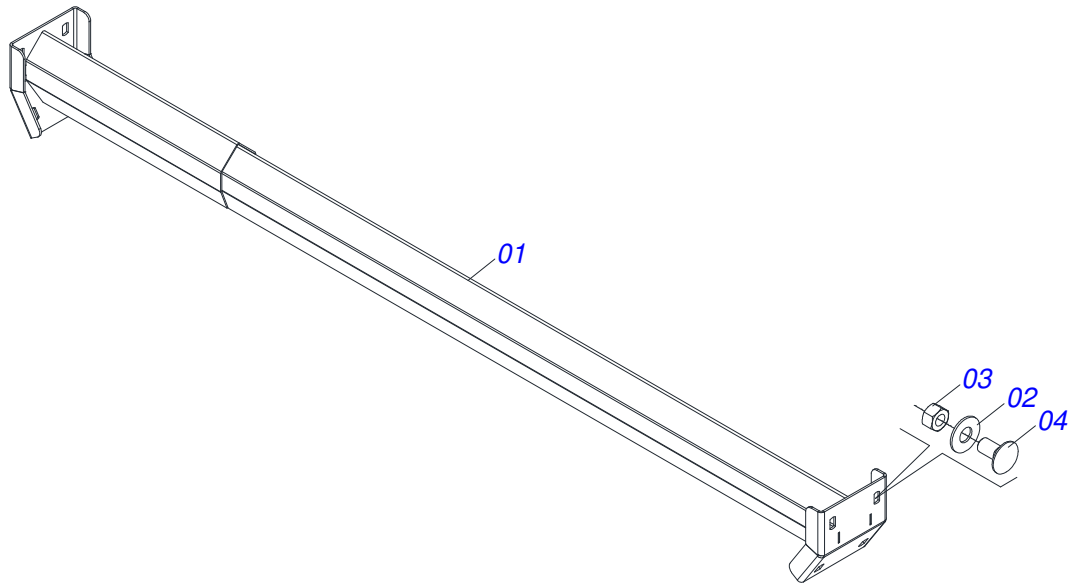
Item	Code	Description	See page	QT
01	0501213971	SIDE OF THE BIN		02
02	0531058693	STAINLESS STEEL BIN FRONT	13	01
03	0531058694	STAINLESS STEEL BIN REAR	14	01
04	0501213942	MAJOR FIXER		04
05	0501213943	MINOR FIXER		02
06	0501310773	STAINLESS STEEL ARC SUPPORT BASE		08
07	0531063945	DEFLECTOR SUPPORT		04
08	0531063950	STAINLESS LIFTING SUPPORT		04
09	0501213944	SUPPORT CONNECTION		04
10	0531063945	DEFLECTOR SUPPORT		02
11	0503012531	3/8" INOX NUT		112
12	0531056564	LOCK 1722 ASSY	15	02
13	0503016878	FLAT WASHER		112
14	0503013755	3/8" UNC X 3/4" CS BOLT		68
15	0503012540	3/8" X 1" BOLT		44
16	0501219094	SIDE INTERNAL REINFORCEMENT		02



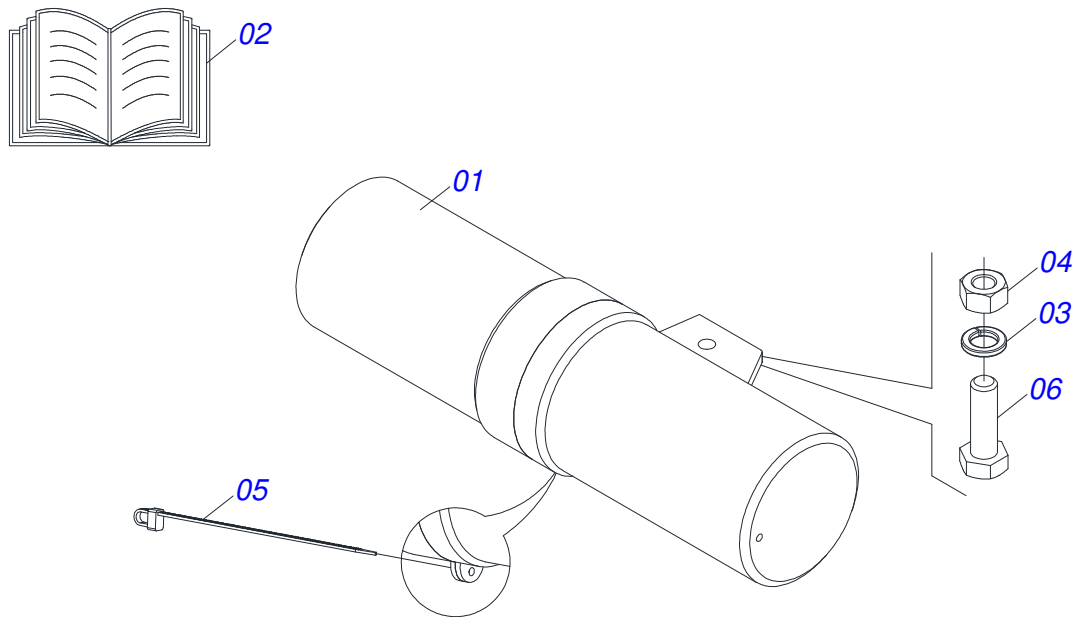
Item	Code	Description	See page	QT
01	0501310755	STAINLESS STEEL BIN FRONT		01
02	0501310761	L LOWER FRONT RIGHT BUCKET		01
03	0501310762	L LOWER FRONT LEFT BUCKET		01
04	0501310765	L BUCKET RIGHT UPPER		01
05	0501310766	L BUCKET LEFT UPPER		01
06	0501219147	FLAT WASHER 13 X 24 X 3,00 INOX		22
07	0503019604	SELF LOCKING HEX NUT WITH NYLON 3/8 UNC 2B		22
08	0503012540	3/8" X 1" BOLT		22



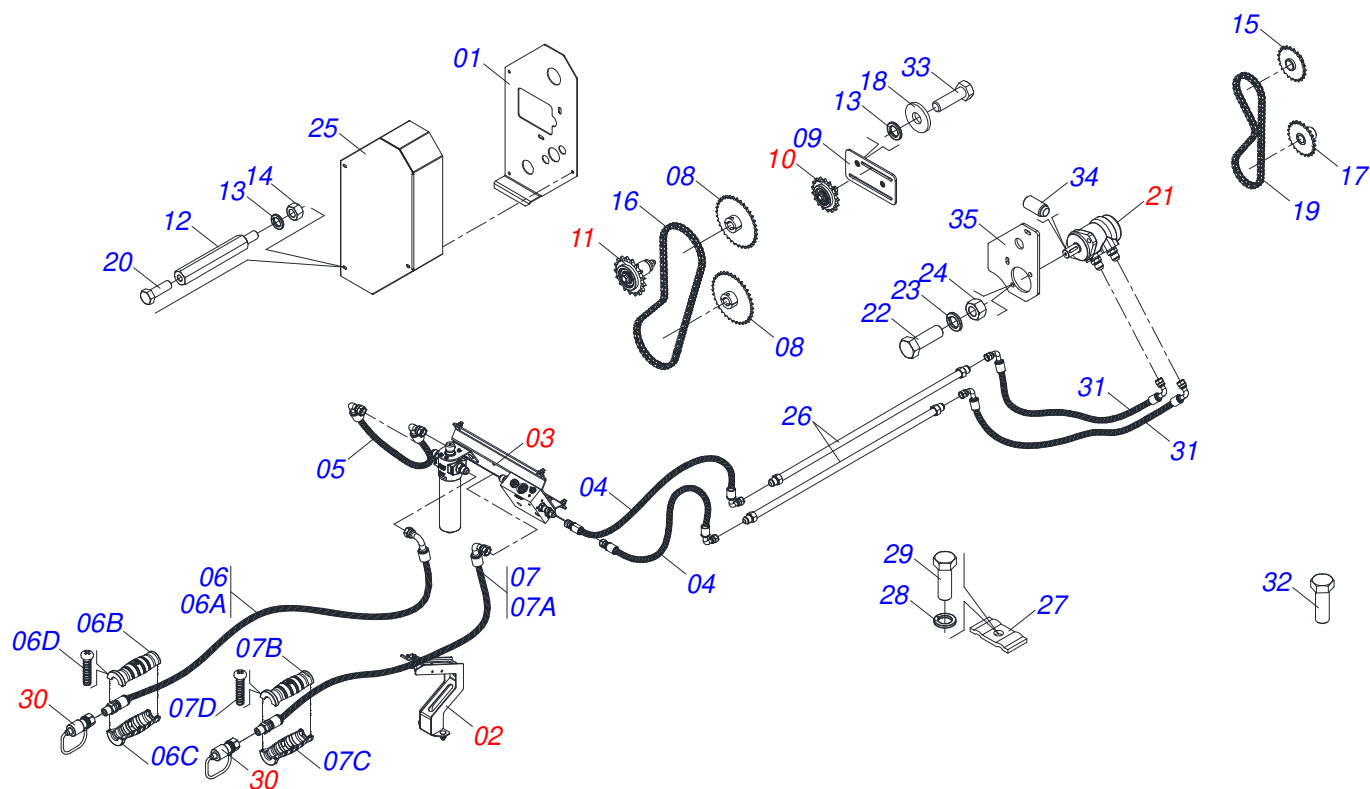
Item	Code	Description	See page	QT
01	0501310756	STAINLESS STEEL BIN REAR	01	
02	0501310763	L LOWER REAR RIGHT BUCKET	01	
03	0501310764	L LOWER REAR LEFT BUCKET	01	
04	0501310765	L BUCKET RIGHT UPPER	01	
05	0501310766	L BUCKET LEFT UPPER	01	
06	0501219147	FLAT WASHER 13 X 24 X 3,00 INOX	22	
07	0503019604	SELF LOCKING HEX NUT WITH NYLON 3/8 UNC 2B	22	
08	0503012540	3/8" X 1" BOLT	22	



Item	Code	Description	See page	QT
01	0531064690	LOCK 1722		01
02	0503016878	FLAT WASHER		08
03	0503012531	3/8" INOX NUT		08
04	0503012540	3/8" X 1" BOLT		08



Item	Code	Description	See page	QT
01	0503060100	INSTRUCTIONS MANUAL CANISTER		01
02	0501098987	INSTRUCTION MANUAL		01
03	0503010179	LOCK WASHER 5/16 ZN 1K01528		01
04	0503010337	5/16" NUT		01
05	0503010267	NYLON CLAMP		01
06	0503010363	BOLT 5/16 UNC X 1 C S G.2 ZN		01



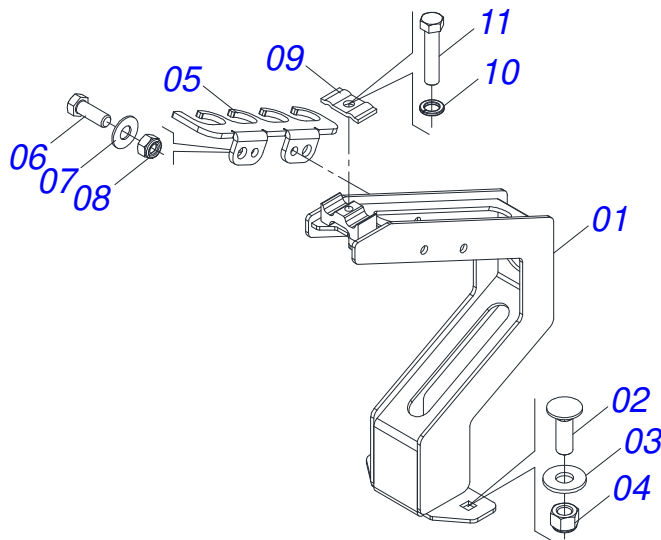
Item	Code	Description	See page	QT
01	0571015456	PROTECTION REAR		01
02	0521058094	SUPPORT HOSE	18	01
03	0521057951	SUPPORT SIMPLE HYDRAULIC DRIVE	19	01
04	0501081235	1/2 X 650 TR- TC HOSE		02
05	0501081365	HOSE 3/4 X 680 TC-TC 180G		01
06	0521057977	HOSE 3/4 X 2100 TC-TM AMARILLO/AZUL		01
06A	0501082295	HOSE 3/4 X 2100 TC - TM R.1/2NPT		01
06B	0503034493	HYDRAULIC HOSE DEPTH (YELLOW)		01
06C	0503034494	HYDRAULIC HOSE GRIP (BLUE)		01
06D	0503018952	PLASTIC BOLT		06
07	0521057976	HOSE 3/4 X 2100 TC-TM YELLOW/RED		01
07A	0501082295	HOSE 3/4 X 2100 TC - TM R.1/2NPT		01
07B	0503034493	HYDRAULIC HOSE DEPTH (YELLOW)		01
07C	0503034495	HYDRAULIC HOSE GRIP (RED)		01
07D	0503018952	PLASTIC BOLT		06
08	0501069020	35Z GEAR		02
09	0521064691	SUPPORT TENSIONER		01
10	0511054496	TENSIONER SMALEER ASSY	23	01
11	0521051671	TENSIONER ASSY GREATEST	24	01
12	0571015189	PRISONER 3/8"		03
13	0503010025	3/8 SPRING WASHER		07
14	0503010026	3/8" NUT		11
15	0521064566	GEAR HIDRAULIC MOTOR		01
16	0503013003	50-1 CHAIN X 79 LINK + REDUCTION + MENDING		01
17	0521063041	GEAR 23Z		01
18	0501010984	10,50 X 27 X 3,00 FLAT WASHER		09
19	0503013061	50-1 CHAIN X 64 LINK + REDUCTION		01
20	0503010240	BOLT		03
21	0511053588	MOTOR HYDRAULIC OMP 80 WITH NIPPLE 7/8 25 NIPPE 7/8		01
22	0503010920	1/2 UNC X 1.1/2 C S G.5 ZN BOLT		02
23	0503010019	1/2" SPRING WASHER		02



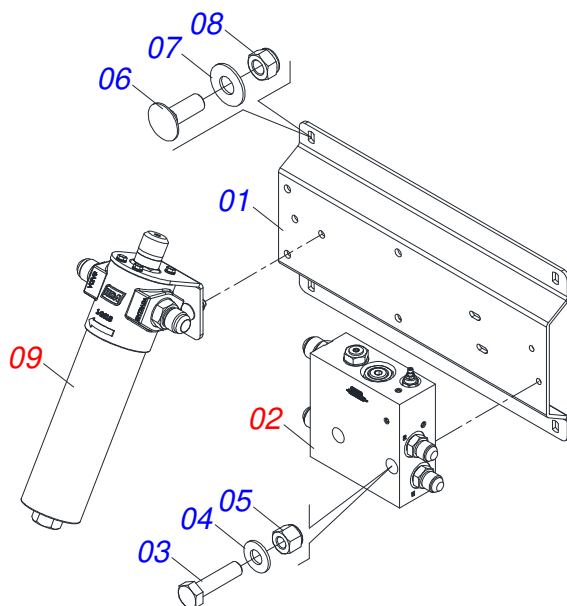
HYDRAULIC DRIVE ASSEMBLY

0531056035

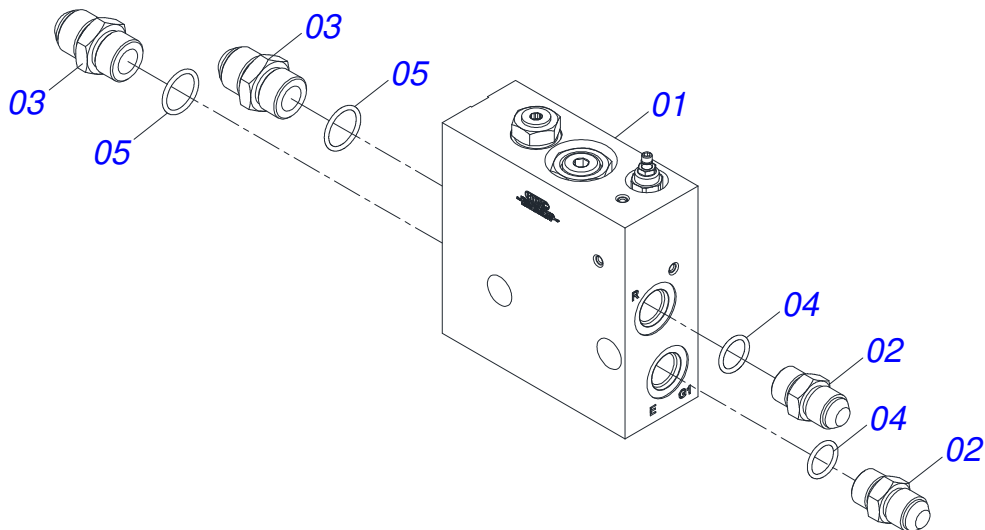
Item	Code	Description	See page	QT
24	0503010060	1/2 UNC G.5 ZN HEX NUT		02
25	0571015457	CHAIN CAP		01
26	0521066604	OIL TUBE		02
27	0531011180	UPPER BODY CLIP		02
28	0503010180	7/16" SPRING WASHER		02
29	0503011102	BOLT 7/16 UNC X 1.1/4 C S G.5 ZN		02
30	0501053834	MALE QUICK COUPLER	26	02
31	0501081512	HOSE 1/2 X 800 TC-TC 90G		02
32	0503011141	3/8" X 2-3/4" BOLT		03
33	0503010849	3/8" X 1-1/2" BOLT		04
34	0503017021	M8 X 0.5" BOLT		01
35	0571015182	HIDRAULIC MOTOR SUPPORT		01



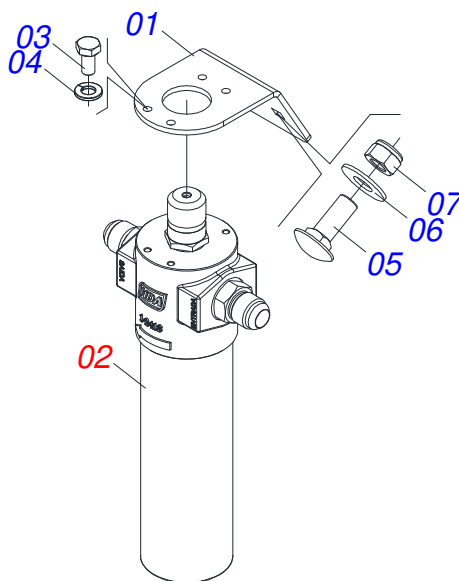
Item	Code	Description	See page	QT
01	0531060944	HOSE HOLDER ASSY		01
02	0503014378	1/2" X 1-1/2" BOLT		02
03	0511017302	FLAT WASHER 13,50 X 32,50 X 3,0 ZN		02
04	0503010589	1/2" UNC SELF ADJUSTING NUT		02
05	0591018556	HOSE FIXER ASSY		01
06	0503011087	3/8" X 1" BOLT		02
07	0501013518	FLAT WASHER		02
08	0503013357	3/8 SELF-ADJUSTING NUT		02
09	0531011180	UPPER BODY CLIP		01
10	0503010180	7/16" SPRING WASHER		01
11	0503011173	7/16" X 2" BOLT		01



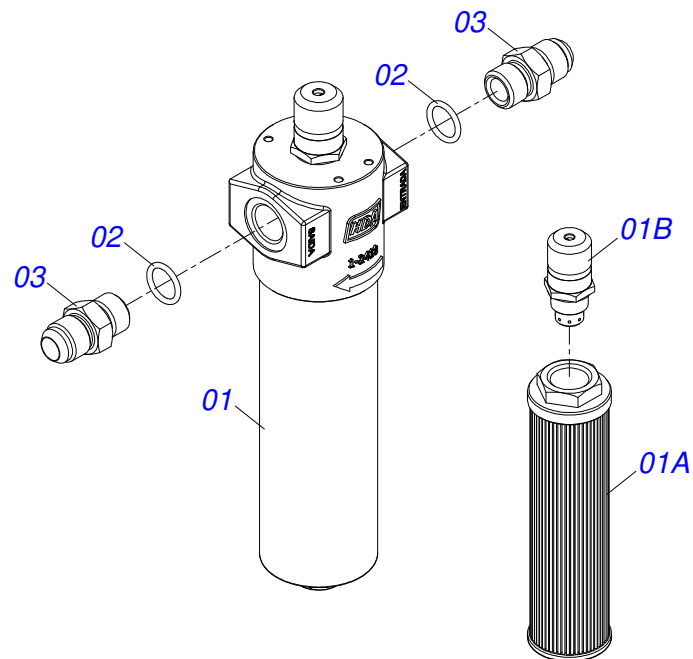
Item	Code	Description	See page	QT
01	0591013644	SUPPORT SET HIDRAULICO		01
02	0521057953	BLOCK HYDAC	20	01
03	0503011766	5/16" X 2-1/2" BOLT		02
04	0501010694	FLAT WASHER		02
05	0503013759	NUT		02
06	0501011643	3/8 X 1" BOLT		04
07	0501013518	FLAT WASHER		04
08	0503013357	3/8 SELF-ADJUSTING NUT		04
09	0521057952	FILTER PRES PARKER HDA FP20 10FV 06B LV6	21	01



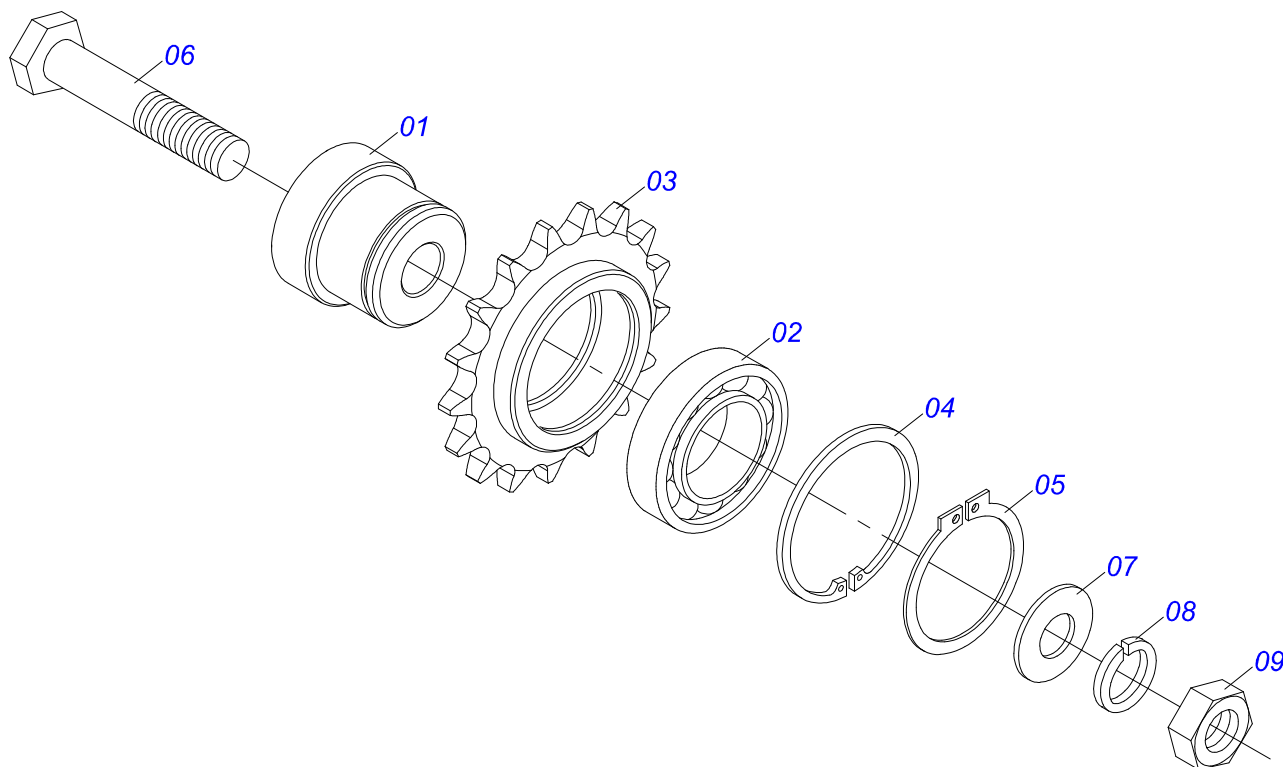
Item	Code	Description	See page	QT
01	0503063271	BLOCK		01
02	0501010590	NIPPLE		02
03	0501010589	R. 1.1/16UN SEXT 1.1/4 X 52 NIPPLE		02
04	0503010045	O'RING		02
05	0503011109	2-119 N 3006-9B O'RING		02



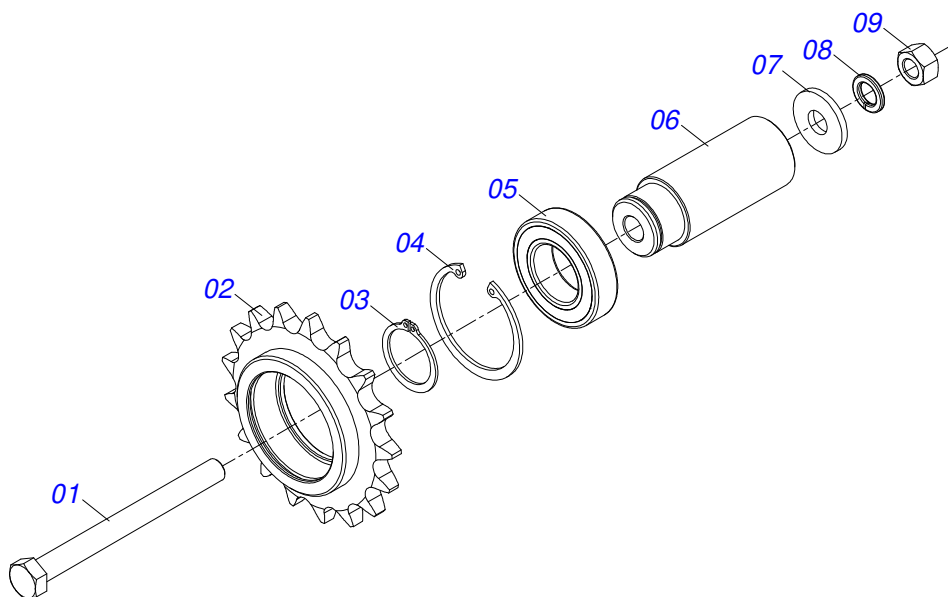
Item	Code	Description	See page	QT
01	0591013645	PRESSURE FILTER SUPPORT		01
02	0521057599	FILTER PRESS PARKER HDA FP20 10FV 06B LV6 22 WITH NIPPLE		01
03	0503011812	BOLT M6 X 1 X 12 CS 8.8 ZN		04
04	0503010143	1/4" SPRING WASHER		04
05	0501011643	3/8 X 1" BOLT		02
06	0501013518	FLAT WASHER		02
07	0503013357	3/8 SELF-ADJUSTING NUT		02



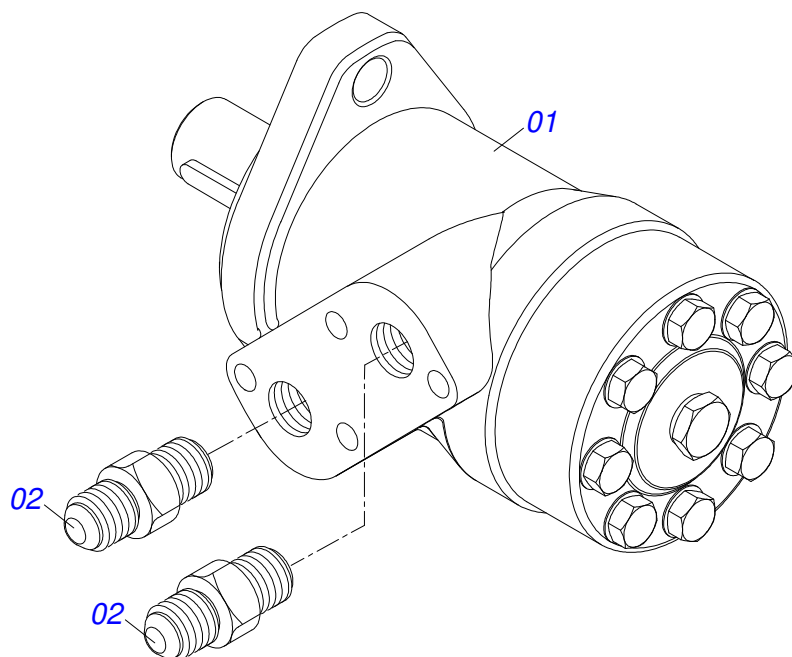
Item	Code	Description	See page	QT
01	0503063077	PRESSURE FILTER PARKER HDA FP20 10FV 06B LV6		01
01A	0503035357	FILTERING ELEMENT FOR PRESSURE FILTER		01
01B	0503019963	DIRT PRESSURE LINE INDICATOR		01
02	0503010605	O'RING		02
03	0591012696	NIPPLE 3/4 BSP X 1.1/16 UNF		02



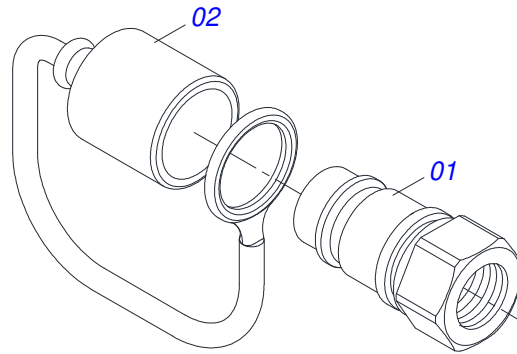
Item	Code	Description	See page	QT
01	0571015185	AXLE TIGHTENER 26		01
02	0503011410	ROLLER BEARING		01
03	0511061836	17Z GEAR		01
04	0503011105	SEAL RING		01
05	0503010406	501025 CLAMPING RING (FOR AXLE)		01
06	0501010096	3/8" X 2" BOLT		01
07	0501010984	10,50 X 27 X 3,00 FLAT WASHER		01
08	0503010025	3/8 SPRING WASHER		01
09	0503010026	3/8" NUT		01



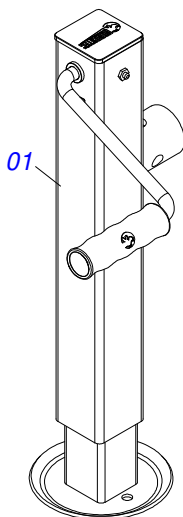
Item	Code	Description	See page	QT
01	0503010481	BOLT		01
02	0511061836	17Z GEAR		01
03	0503010406	501025 CLAMPING RING (FOR AXLE)		01
04	0503011105	SEAL RING		01
05	0503011410	ROLLER BEARING		01
06	0581015144	75MM STRETCHING SHAFT		01
07	0501010984	10,50 X 27 X 3,00 FLAT WASHER		01
08	0503010025	3/8 SPRING WASHER		01
09	0503010026	3/8" NUT		01



Item	Code	Description	See page	QT
01	0503016055	PARKER OMP 80 ISOBUS HYDRAULIC MOTOR		01
02	0511014065	7/8" NF X R1/2NPT X 52 NIPPLE		02

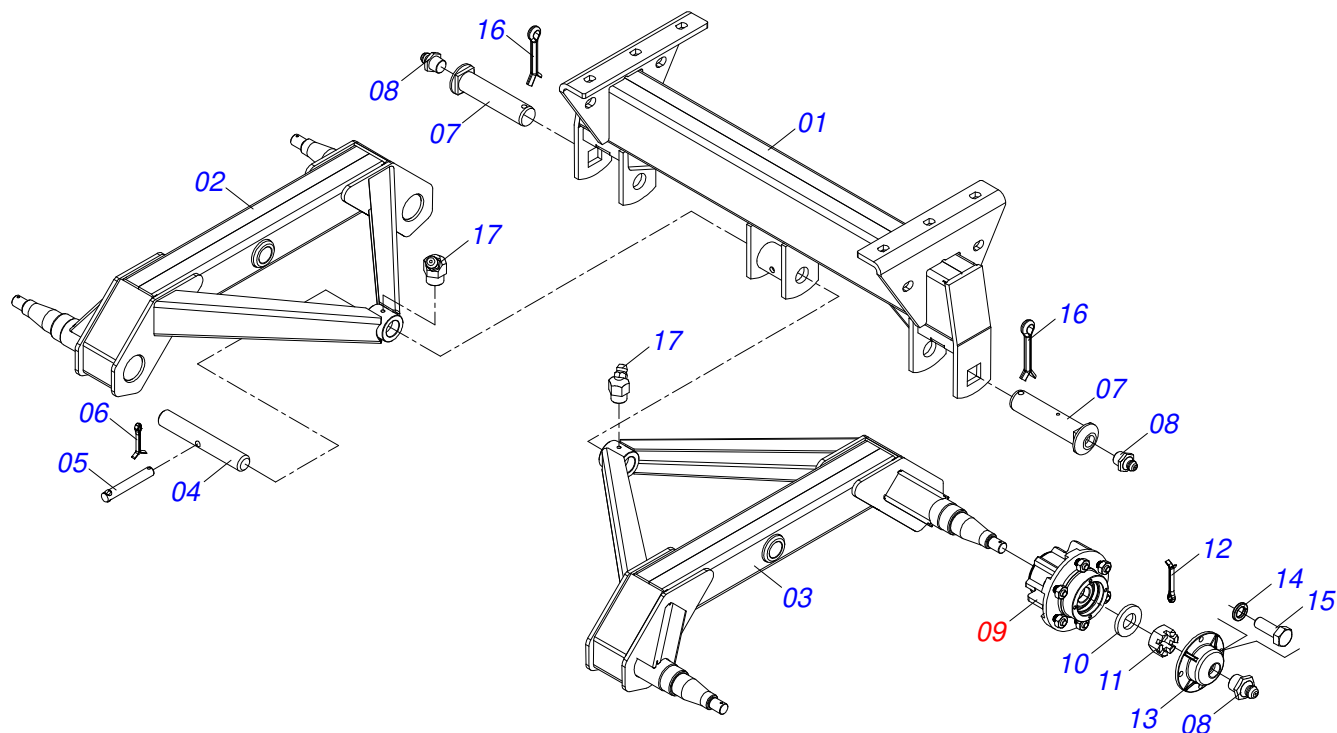


Item	Code	Description	See page	QT
01	0503011627	MALE QUICK COUPLER AGR 1/2 NPT		01
02	0503011882	MALE QUICK COUPLER CAP		01

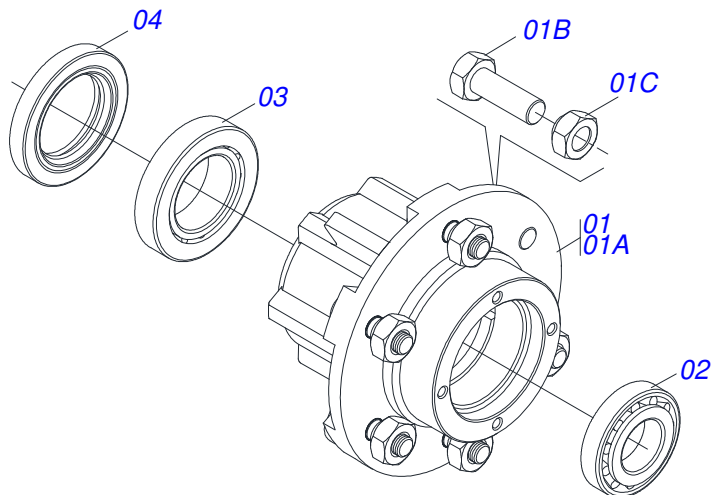


Item	Code	Description	See page	QT
01	0503062157	DRAWBAR JACK		01

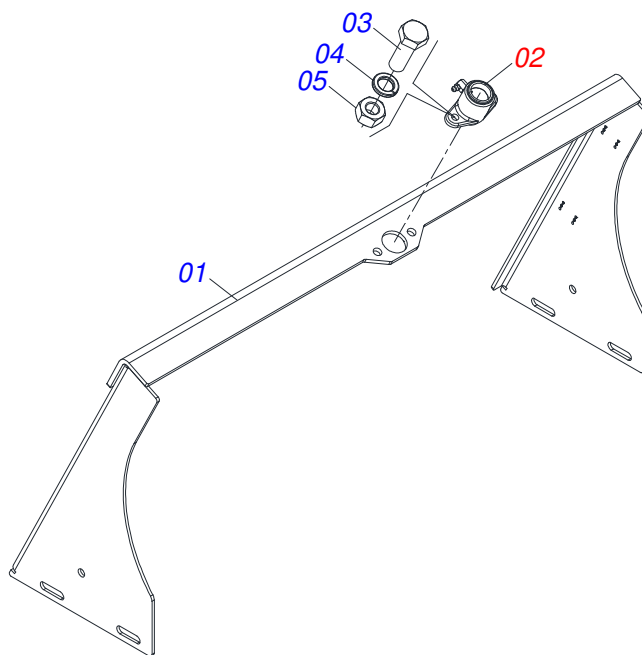
BELL CRANK SUPPORT FIXATION



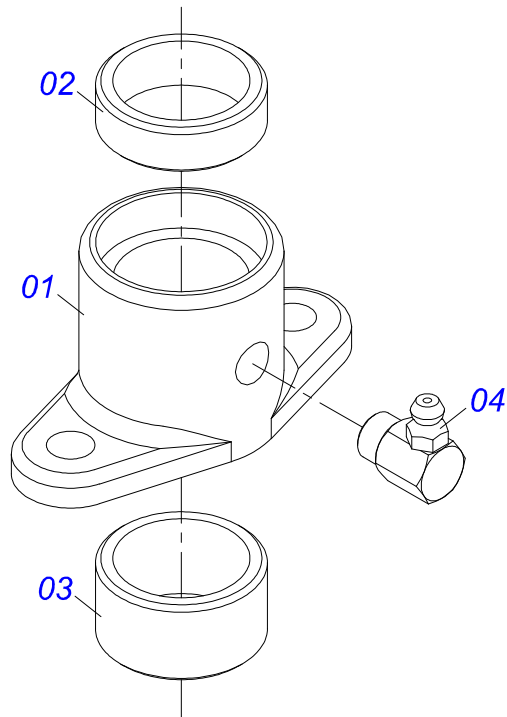
Item	Code	Description	See page	QT
01	0511067538	ROCKER ARM SUPPORT FIXATION		01
02	0511067545	LEFT ROCKER ARM		01
03	0511067544	RIGHT ROCKER ARM		01
04	0521011118	COUPLING SHAFT		01
05	0521010553	0.5" X 3" COUPLING SHAFT		01
06	0503010257	1/8" X 1" COTTERPIN		01
07	0521010956	PIVOT SHAFT		02
08	0503010002	1800 GREASE FITTING		06
09	0501051142	CARRYING WHEEL HUB	29	04
10	0501016545	FLAT WASHER		04
11	0503030009	1" CASTLE NUT		04
12	0503010131	3/16" X 1-1/2" COTTERPIN		04
13	0502020591	PROTECCION COVER		04
14	0503011444	SPRING WASHER		16
15	0503010358	5/16" X 5/8" BOLT		16
16	0503010534	3/8 X 2-1/2 COTTERPIN		02
17	0503010003	1845 GREASE FITTING		02



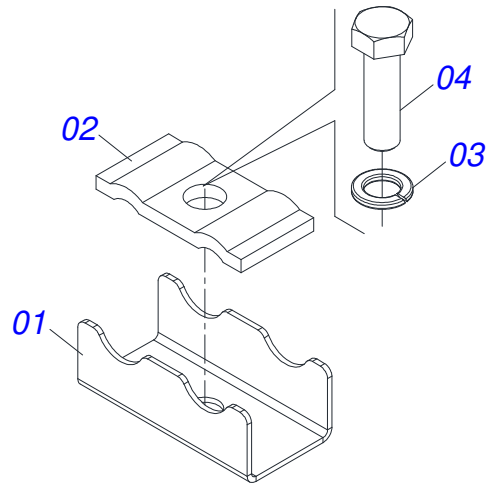
Item	Code	Description	See page	QT
01	0501110728	WHEEL HUB		01
01A	0502011121	CARRYING WHEEL HUB		01
01B	0501010127	9/16" X 1-7/8" LUG BOLT		06
01C	0503010035	9/16" CONIC NUT		06
02	0503010037	30207 ROLLER BEARING		01
03	0503010006	32210 ROLLER BEARING		01
04	0503012928	SEAL		01



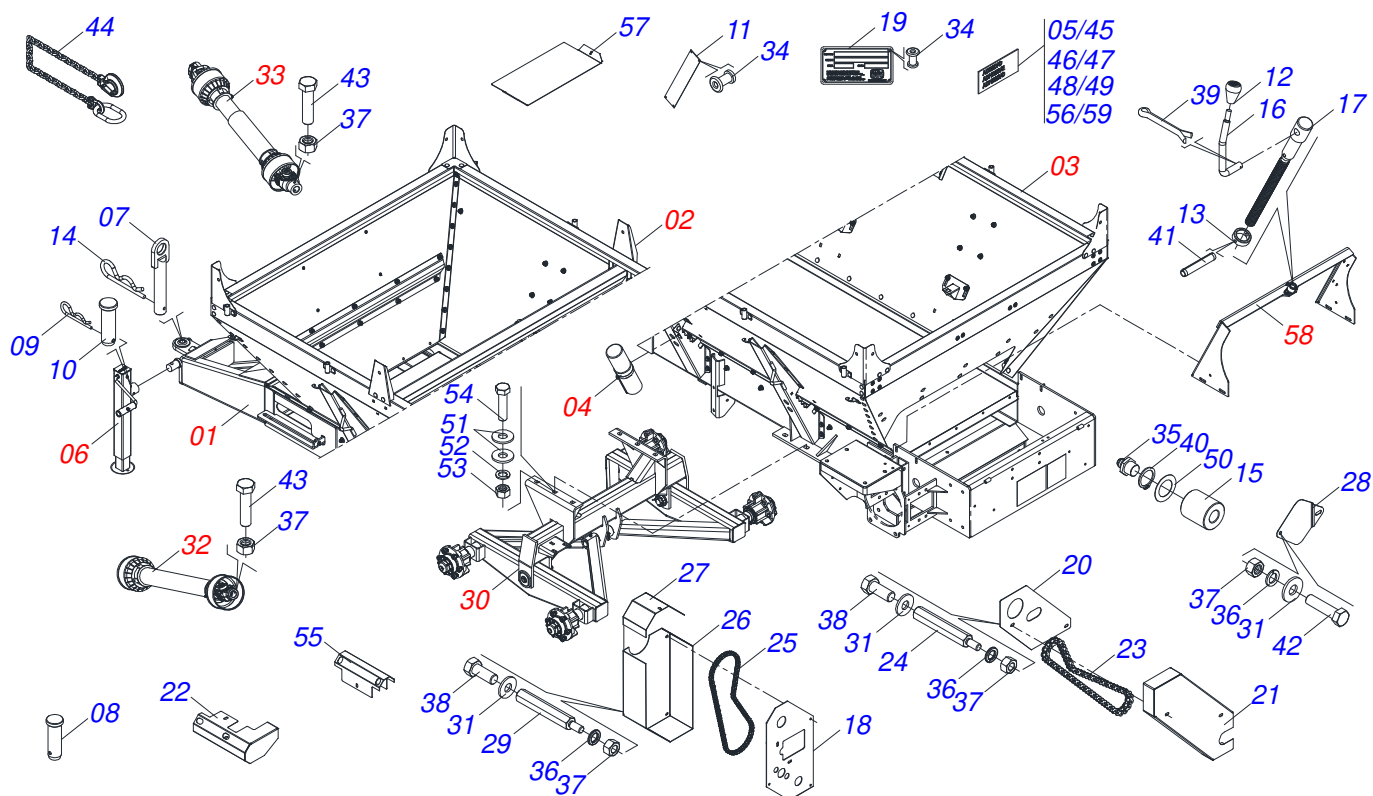
Item	Code	Description	See page	QT
01	0531064261	ASSY SUPPORT		01
02	0511059094	SHAFT BEARING THREADED	31	01
03	0503010363	BOLT 5/16 UNC X 1 C S G.2 ZN		02
04	0503011444	SPRING WASHER		02
05	0503010337	5/16" NUT		02



Item	Code	Description	See page	QT
01	0502010581	ROD BEARING		01
02	0521010458	SLEEVE		01
03	0521010457	SLEEVE		01
04	0503010004	1890 GREASE FITTING		01

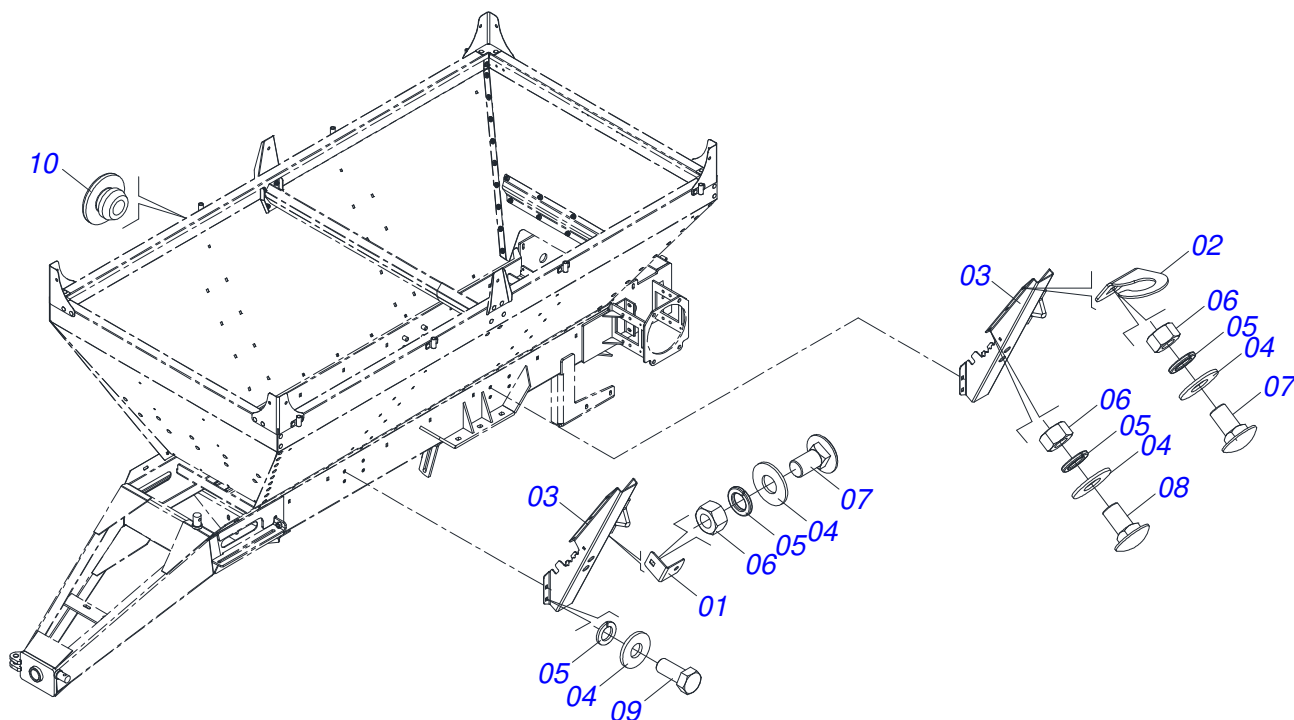


Item	Code	Description	See page	QT
01	0501216203	STAINLESS STEEL CLAMP		01
02	0531011180	UPPER BODY CLIP		01
03	0503010025	3/8 SPRING WASHER		01
04	0501010096	3/8" X 2" BOLT		01

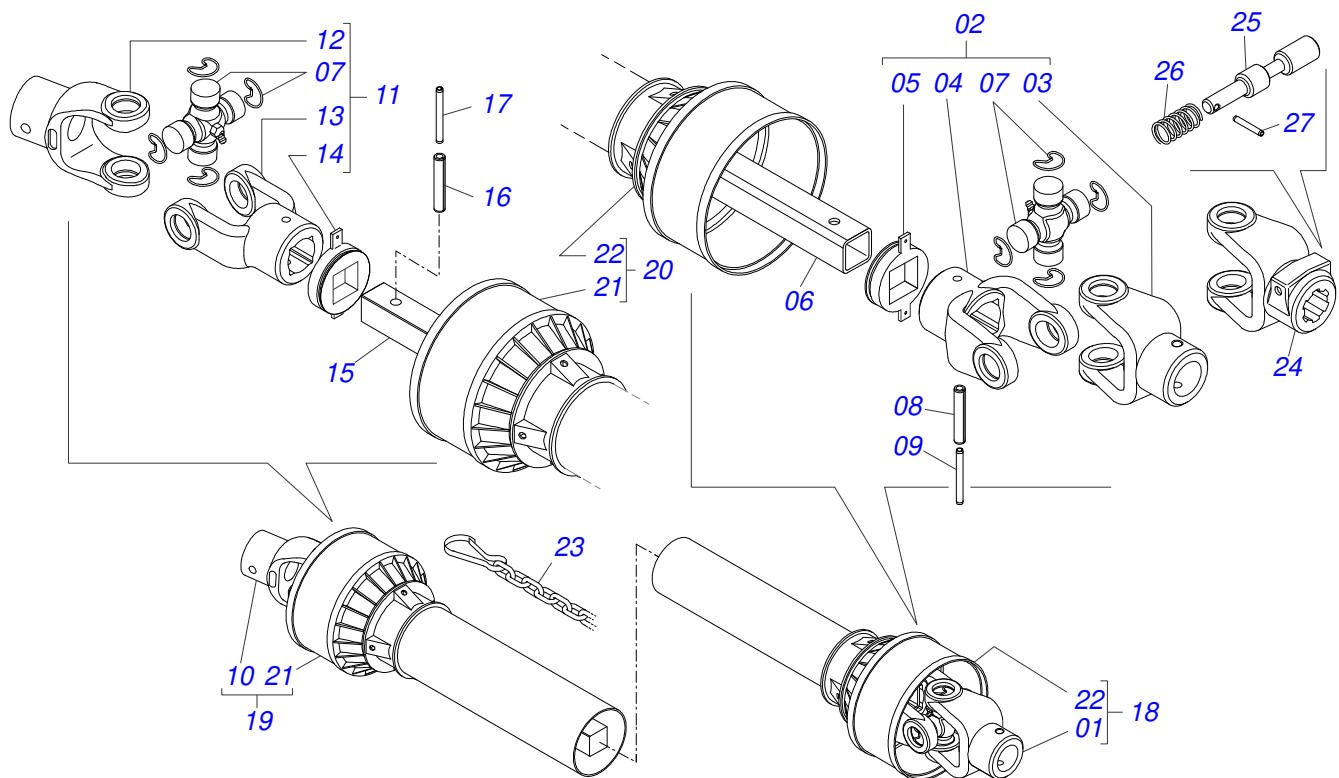


Item	Code	Description	See page	QT
01	0531055740	SEMI MOUNTED FRAME	3	01
02	0531055530	BUCKET FIXING KIT	34	01
03	0531055529	BUCKET ASSY	12	01
04	0531055534	ASSY MANUAL/CATAGUE DOOR	16	01
05	0503068386	SET LABEL ADHESIVE		01
06	0511041259	DRAWBAR JACK ASSY	27	01
07	0501068989	COUPLING SHAFT		01
08	0521017623	0.5" X 1.5" COUPLING SHAFT		04
09	0503030168	HITCH PIN CLIP		05
10	0521010549	COUPLING SHAFT		01
11	0503030751	REGULATOR PLATE		01
12	0503030878	LEVER CRANK		01
13	0511013015	SLEEVE		01
14	0503031035	HITCH PIN CLIP		01
15	0511017041	TENSIONER ROLD		01
16	0521011107	CRANK BODY		01
17	0561014861	REGULATOR		01
18	0571015456	PROTETION REAR		01
19	0503034003	SERIAL NUMBER TAG 61 X 118		01
20	0581015146	REAR SHIELD		01
21	0581015147	COVER PROTECTION		01
22	0581015148	COVER PROTECTION		01
23	0503014299	50-1 X 71 CHAIN LINK + MENDING + REDUCTION		01
24	0581015138	3/8 UNC X 5/16 UNC X 82 STUD		02
25	0503013003	50-1 CHAIN X 79 LINK + REDUCTION + MENDING		01
26	0581016306	CURRENT COVER		01
27	0521068440	COVER PROTECTION UPPER		01
28	0581016316	COVER PROTECTION		01
29	0581016307	PRISONER 3/8 UNC X 5/16 UNC X 168		03
30	0511044985	BELL CRANK SUPPORT FIXATION	28	01
31	0501010984	10,50 X 27 X 3,00 FLAT WASHER		15

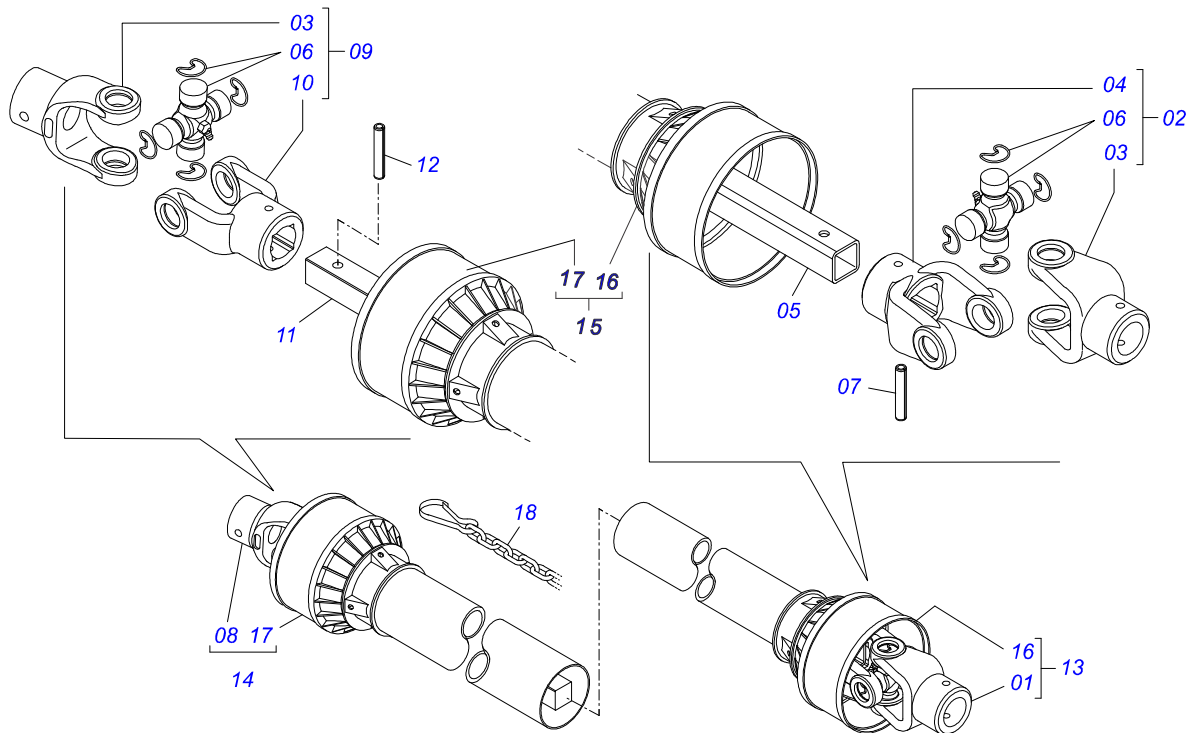
Item	Code	Description	See page	QT
32	0501048783	DRIVE SHAFT	36	01
33	0501048241	DRIVE SHAFT	35	01
34	0503010001	3.2 X 5.5 RIVET		08
35	0503010002	1800 GREASE FITTING		02
36	0503010025	3/8 SPRING WASHER		09
37	0503010026	3/8" NUT		10
38	0503010240	BOLT		11
39	0503010257	1/8" X 1" COTTERPIN		01
40	0503010302	501019 SEAL RING		01
41	0503010561	SPRING PIN		01
42	0503010849	3/8" X 1-1/2" BOLT		02
43	0503011141	3/8" X 2-3/4" BOLT		03
44	0503013150	1300 X 3/8 CHAIN		01
45	0503031087	ADHESIVE LABEL		01
46	0503031428	READ MANUAL DECAL		01
47	0503031809	ADHESIVE LABEL		01
48	0503031827	LUBRICATE AND RETIGHTEN DAILY DECAL		02
49	0503032425	ADHESIVE LABEL ATTENTION		01
50	0511015098	FLAT WASHER		02
51	0501012140	FLAT WASHER		12
52	0503010027	5/8 SPRING WASHER		06
53	0503010013	5/8 NUT		06
54	0503010899	5/8 UNC X 2.1/4 BOLT		06
55	0581015152	COVER PROTECTION		01
56	0503035156	LABEL ADHESIVE		01
57	0501214860	FRONT PROTECTION		01
58	0531055517	COMPLETE SUPPORT WITH BEARING	30	01
59	0503036144	MAXIMUM SPEED ADHESIVE LABEL		01



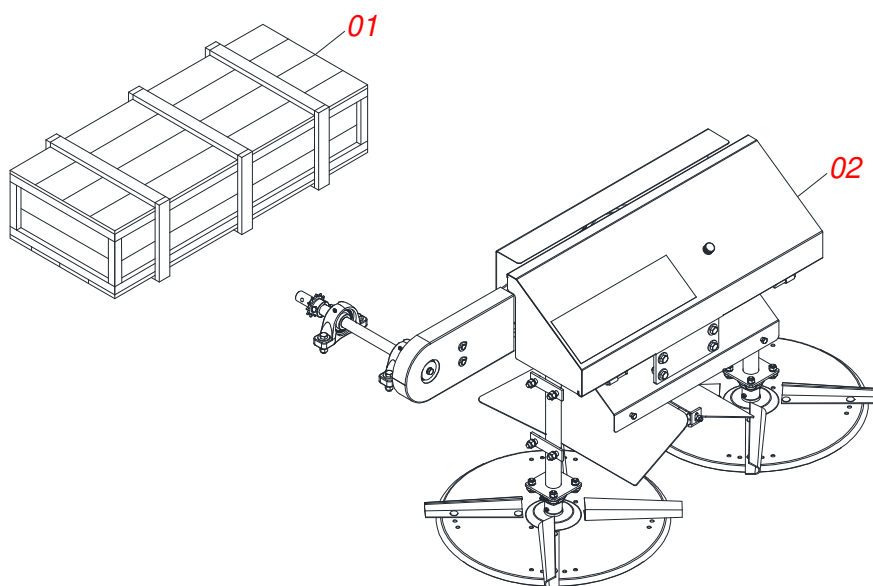
Item	Code	Description	See page	QT
01	0501213938	STAINLESS MANUAL DOOR FIXING		01
02	0501213941	FIXATION STAINLESS STEEL		08
03	0531064700	STAINLESS BUCKET STIFFENER		06
04	0503016878	FLAT WASHER		117
05	0503012535	3/8" SPRING WASHER		117
06	0503012531	3/8" INOX NUT		93
07	0503013755	3/8" UNC X 3/4" CS BOLT		55
08	0503012540	3/8" X 1" BOLT		38
09	0503010237	3/8" X 1" BOLT		24
10	0513010228	HOLE PLUG		16



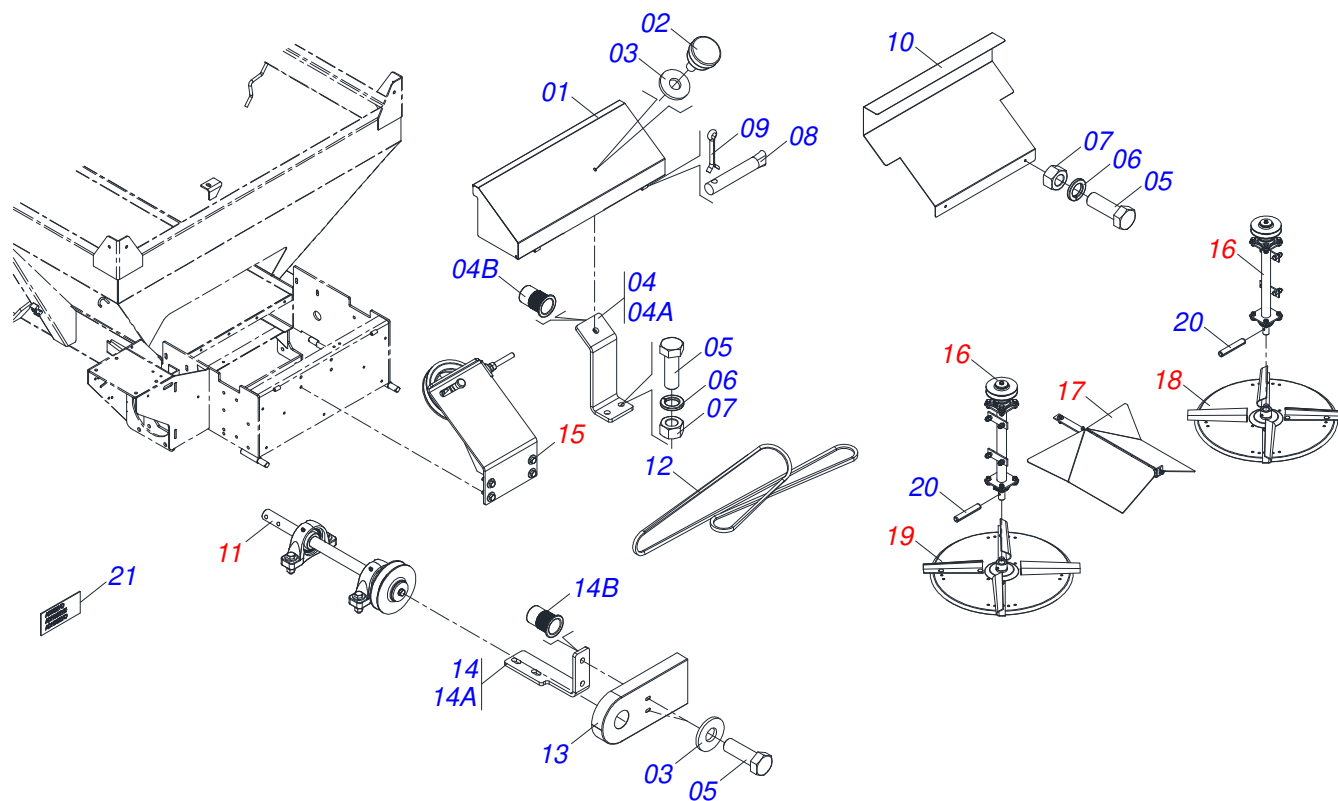
Item	Code	Description	See page	QT
01	0501052176	SLEEVE UNIVERSAL JOINT	01	01
02	0501050265	UNIVERSAL JOINT	01	01
03	0501050333	1-40 TERMINAL WITH HITCH	01	01
04	0502010565	2-40 TERMINAL WITH SH 1.5"/1.5"	01	01
05	0503012069	ADAPTER FOR BUSHING PROTECT	01	01
06	0521013800	16" X 1.4" SQUARE SLEEVE	01	01
07	0503010836	CARDAN CROSSPIECE	02	01
08	0503011069	0.4" X 2.8" SPRING PIN	01	01
09	0503010510	0.2" X 2.6" SPRING PIN	01	01
10	0501052177	AXLE UNIVERSAL JOINT	01	01
11	0501052178	UNIVERSAL JOINT	01	01
12	0502011611	9-40 TERMINAL	01	01
13	0502010566	3-40 TERMINAL WITH SH 1.2"/1.2"	01	01
14	0503012070	ADAPTER FOR AXLE PROTECTION	01	01
15	0521013801	1.2" X 15.7" SQUARE SHAFT	01	01
16	0503010361	SPRING PIN	01	01
17	0503010756	0.2" X 2.4" SPRING PIN	01	01
18	0501052179	PROT/SLEEVE UNIVERSAL JOINT	01	01
19	0501052180	PROT/AXLE UNIVERSAL JOINT	01	01
20	0503012277	PROTECTION ASSY	01	01
21	0503012279	PROTECTION FOR UNIV JOINT AND AXLE	01	01
22	0503012278	PROTECTION FOR UNIV JOINT SLEEVE	01	01
23	0503012023	CHAIN FOR PROTECTION	02	01
24	0502010563	1-40 STRIATED 1.3/8" TERMINAL	01	01
25	0521010638	13,70 X 78 HITCH PIN	01	01
26	0503030518	0.5"X1.0"X 0.1" COMPRESSION SPRING	01	01
27	0503010838	0.1" X 0.8" SPRING PIN	01	01



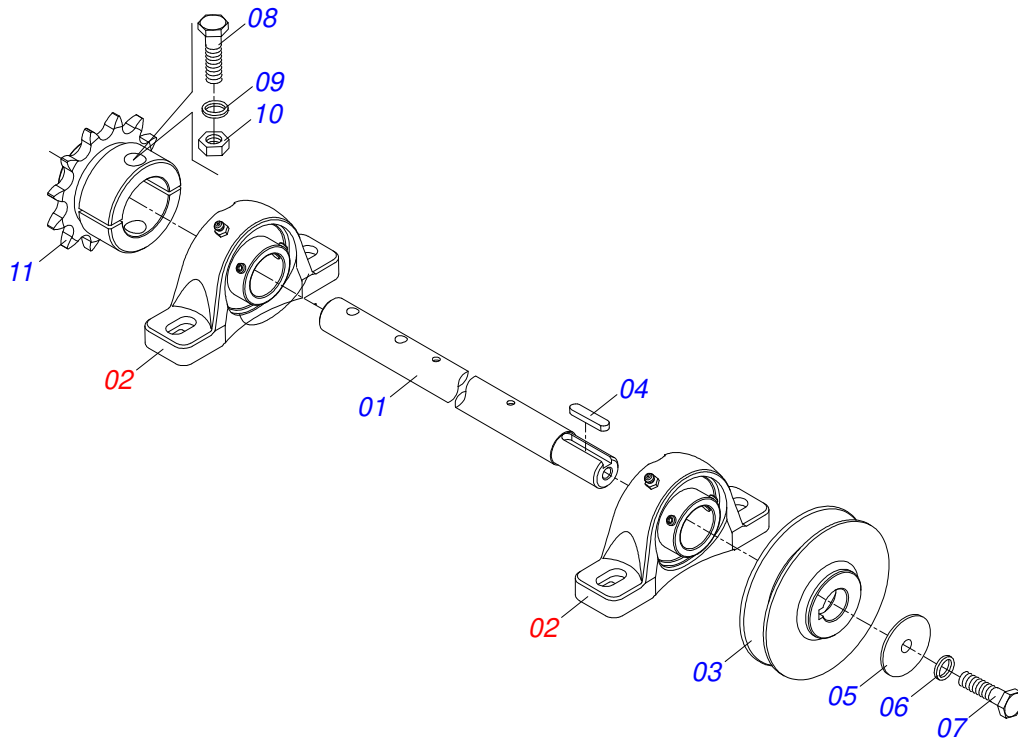
Item	Code	Description	See page	QT
01	0501052166	SLEEVE UNIVERSAL JOINT		01
02	0501051718	UNIVERSAL JOINT		01
03	0502010558	4-20 TERMINAL WITH ROLES		02
04	0502011426	2-20 TERMINAL		01
05	0521013798	0.9" X 35" SQUARE SLEEVE		01
06	0503010835	CARDAN CROSSPICE		02
07	0503010839	03"X 0.6" SPRING PIN		01
08	0501052167	AXLE UNIVERSAL JOINT		01
09	0501051720	UNIVERSAL JOINT		01
10	0502011427	3-20 TERMINAL		01
11	0521013795	0.9" X 35" SQUARE SHAFT		01
12	0503010301	0.3" X 1.8" SPRING PIN		01
13	0501052168	PROT/SLEEVE UNIVERSAL JOINT		01
14	0501052169	PROT/AXLE UNIVERSAL JOINT		01
15	0503012271	PROTECTION ASSY		01
16	0503012272	PROTECTION FOR UNIV JOINT SLEEVE		01
17	0503012273	PROTECTION FOR UNIV JOINT AND AXLE		01
18	0503012023	CHAIN FOR PROTECTION		02



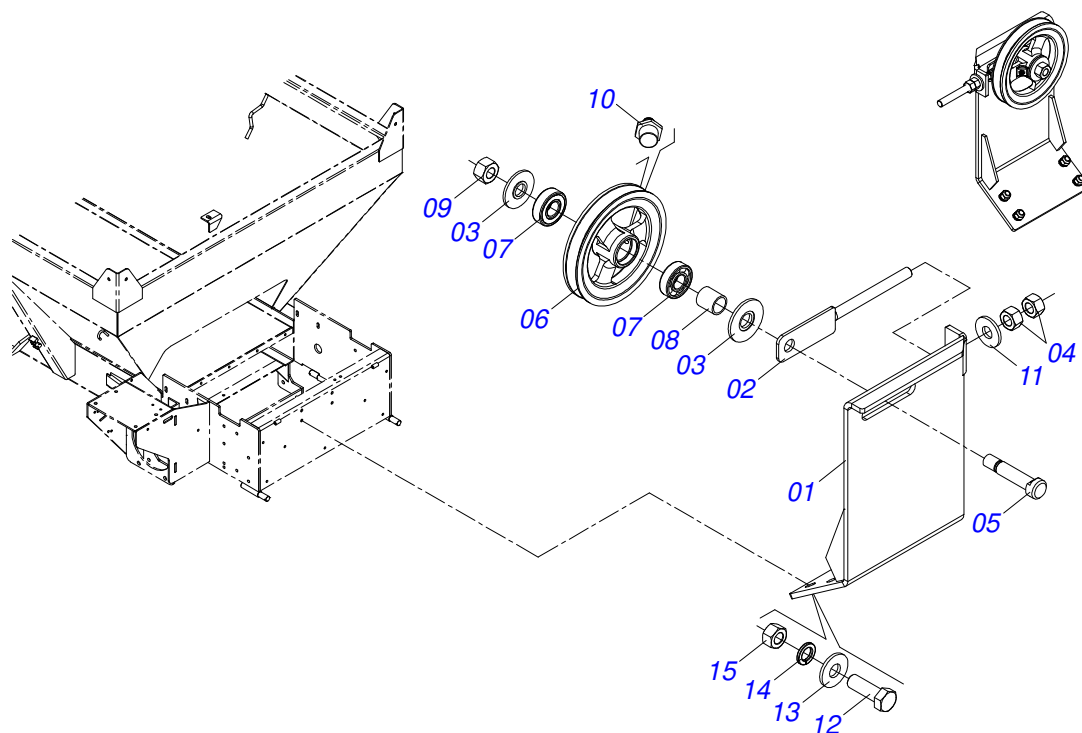
Item	Code	Description	See page	QT
01	0501100441	WOOD BOX		01
02	0521052547	TRANSFORMATION KIT	38	01



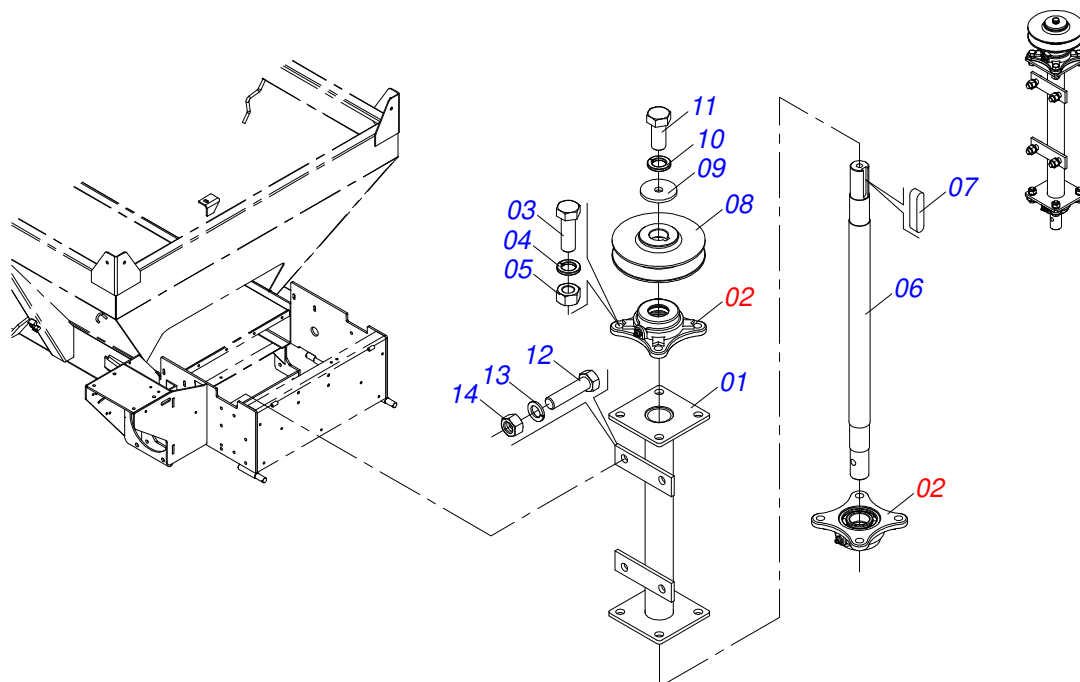
Item	Code	Description	See page	QT
01	0521068560	REAR COVER		01
02	0503010386	CABLE		01
03	0501010984	10,50 X 27 X 3,00 FLAT WASHER		05
04	0531057313	REAR COVER FIXER		01
04A	0551011826	REAR COVER FIXER		01
04B	0503019414	THREAD RIVET		01
05	0503010237	3/8" X 1" BOLT		08
06	0503010025	3/8 SPRING WASHER		06
07	0503010026	3/8" NUT		06
08	0501017574	0.3" X 2.7" AXLE		02
09	0503010140	1/8" X 3/4" COTTERPIN		02
10	0581016761	BELT INTERNAL PROTECTION		01
11	0501057322	TRANSMISSION AXLE	39	01
12	0503012941	C-148 BELT		01
13	0531015149	BELT PROTECTION SIDE		01
14	0531059023	FIXER SIDE PROTECTION BELT		01
14A	0531015159	BELT PROTECTION FIXER		01
14B	0503019413	THREAD SCREW INTERNAL		02
15	0501057196	BELT TENSIONER ASSY	40	01
16	0501057193	DISC SUPPORT	41	02
17	0501057323	DEFLECTOR	43	01
18	0501053870	DISTRIBUTOR RIGHT DISC ASSY	44	01
19	0501053871	DISTRIBUTOR LEFT DISC ASSY	45	01
20	0503010361	SPRING PIN		02
21	0503031818	ADHESIVE LABEL		01



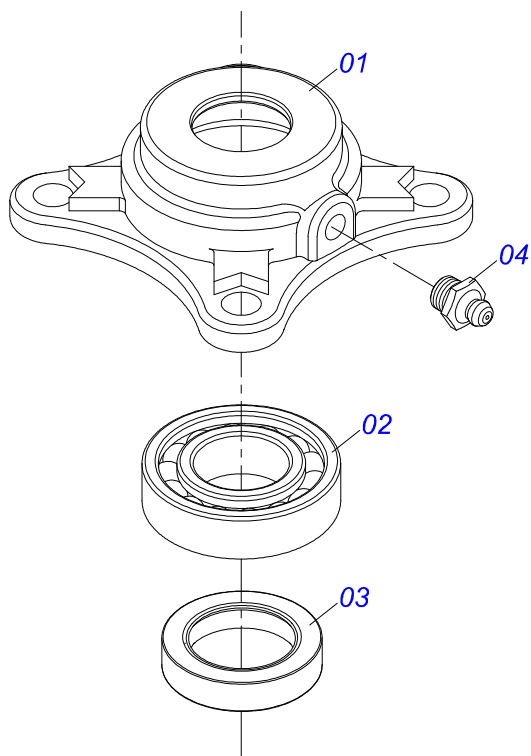
Item	Code	Description	See page	QT
01	0551011819	TRANSMISSION AXLE		01
02	0511041213	AGRICULTURAL BEARING	7	02
03	0502011361	REEL 1C 5.5" X 1.1" PULLEY		01
04	0501010540	KEYWAY SQUARE		01
05	0511014052	FLAT WASHER		01
06	0503010180	7/16" SPRING WASHER		01
07	0503011338	7/16" X 1" BOLT		01
08	0503011268	3/8" X 2-1/2" BOLT		01
09	0503010025	3/8 SPRING WASHER		01
10	0503010026	3/8" NUT		01
11	0501069017	12Z GEAR		01



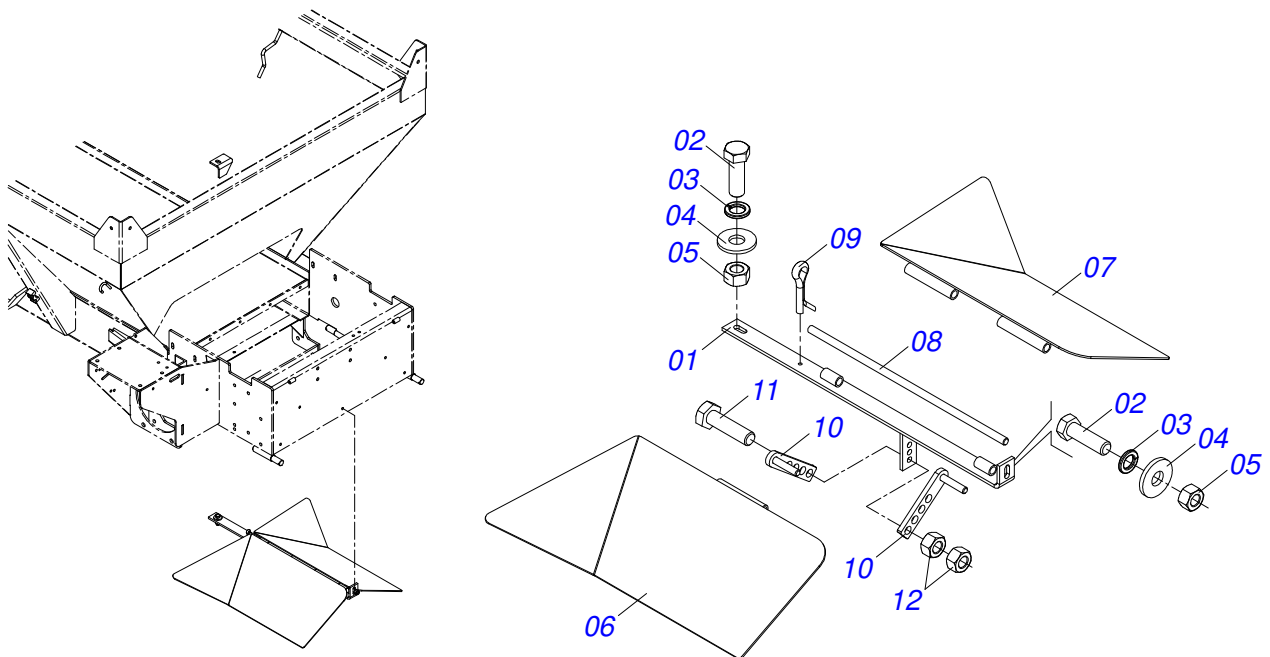
Item	Code	Description	See page	QT
01	0511067792	SUPPORT BELT TENSIONER		01
02	0511064818	PULLEY TENSIONER		01
03	0501019288	WASHER SPACER		02
04	0503010013	5/8 NUT		02
05	0511012362	TIGHTENER AXLE PULLEY		01
06	0502011366	REEL 1C 8.3" X 1.6" PULLEY		01
07	0503010690	6204 BALL BEARING		02
08	0521010497	0.8" X 1.1" X 1.1" SPACER		01
09	0503010014	3/4" HEX NUT		01
10	0503010002	1800 GREASE FITTING		01
11	0501012140	FLAT WASHER		01
12	0503810920	1/2 UNC X 1.1/2 C S G.5 SCREW		04
13	0511817302	FLAT WASHER		04
14	0503011440	SPRING WASHER		04
15	0503810060	NUT 1/2 NC S SA		04



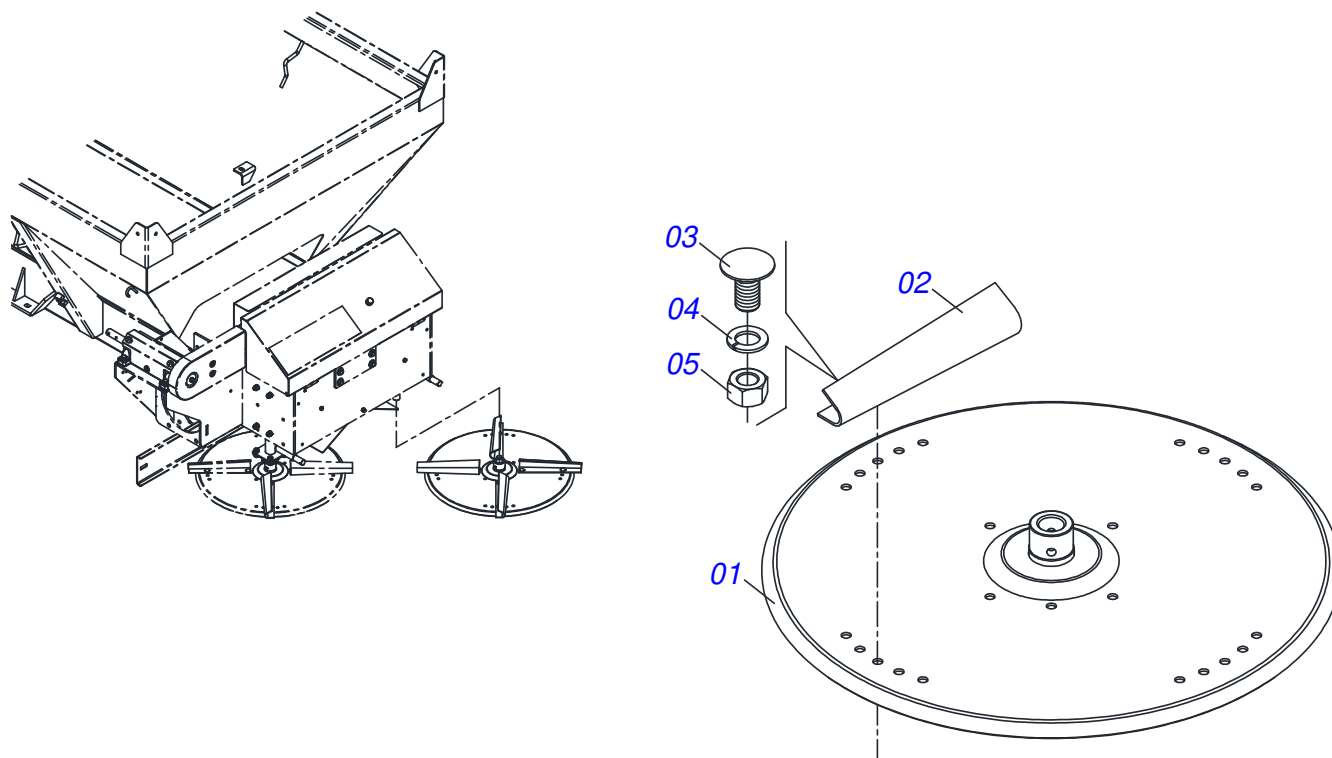
Item	Code	Description	See page	QT
01	0511067788	DISTRIBUTOR SUPPORT AIR		01
02	0501048000	AGRICULTURAL BEARING	42	02
03	0503011102	BOLT 7/16 UNC X 1.1/4 C S G.5 ZN		08
04	0503011446	SPRING WASHER		08
05	0503010244	7/16" NUT		08
06	0551011818	DISTRIBUTOR AXLE CONDUCTOR		01
07	0501010536	KEYWAY SQUARE		01
08	0502011361	REEL 1C 5.5" X 1.1" PULLEY		01
09	0511014052	FLAT WASHER		01
10	0503010180	7/16" SPRING WASHER		01
11	0503011338	7/16" X 1" BOLT		01
12	0503010920	1/2 UNC X 1.1/2 C S G.5 ZN BOLT		04
13	0503010019	1/2" SPRING WASHER		04
14	0503010060	1/2 UNC G.5 ZN HEX NUT		04



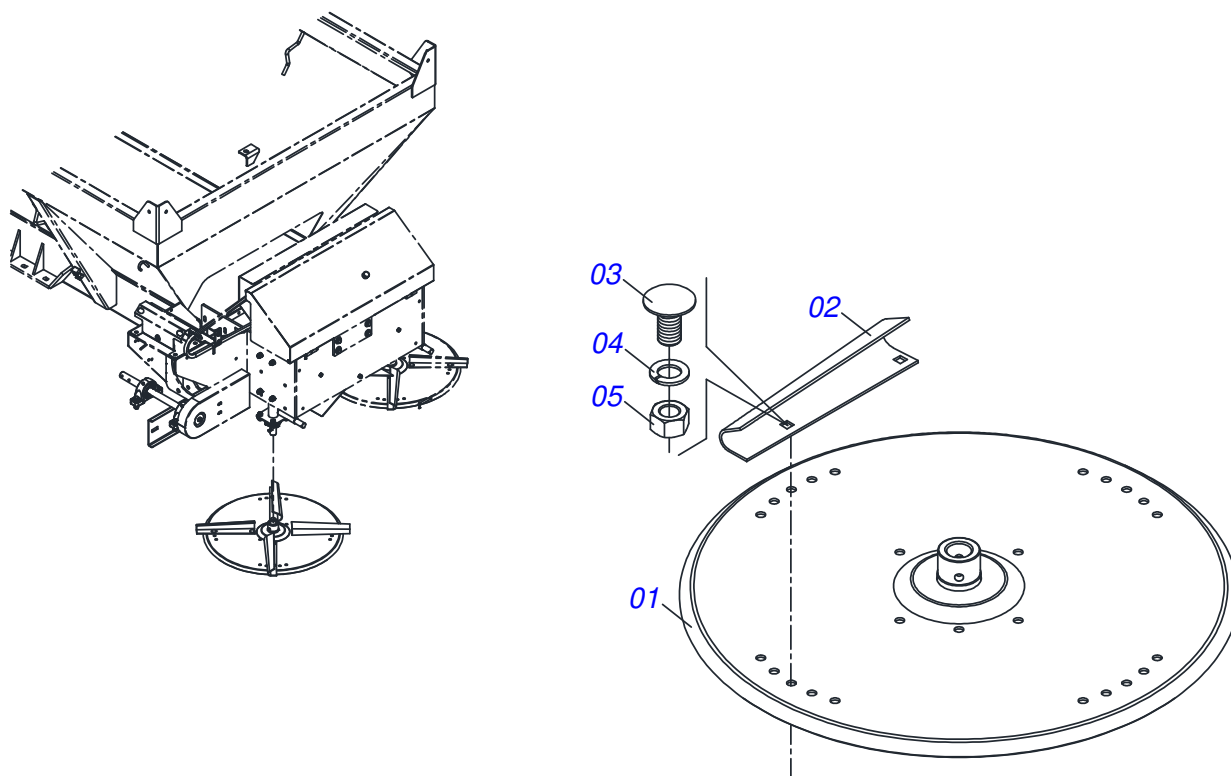
Item	Code	Description	See page	QT
01	0502011442	AGRICULTURAL HOUSING BEARING		01
02	0503010276	6206 BALL BEARING		01
03	0503011865	SEAL		01
04	0503010002	1800 GREASE FITTING		01



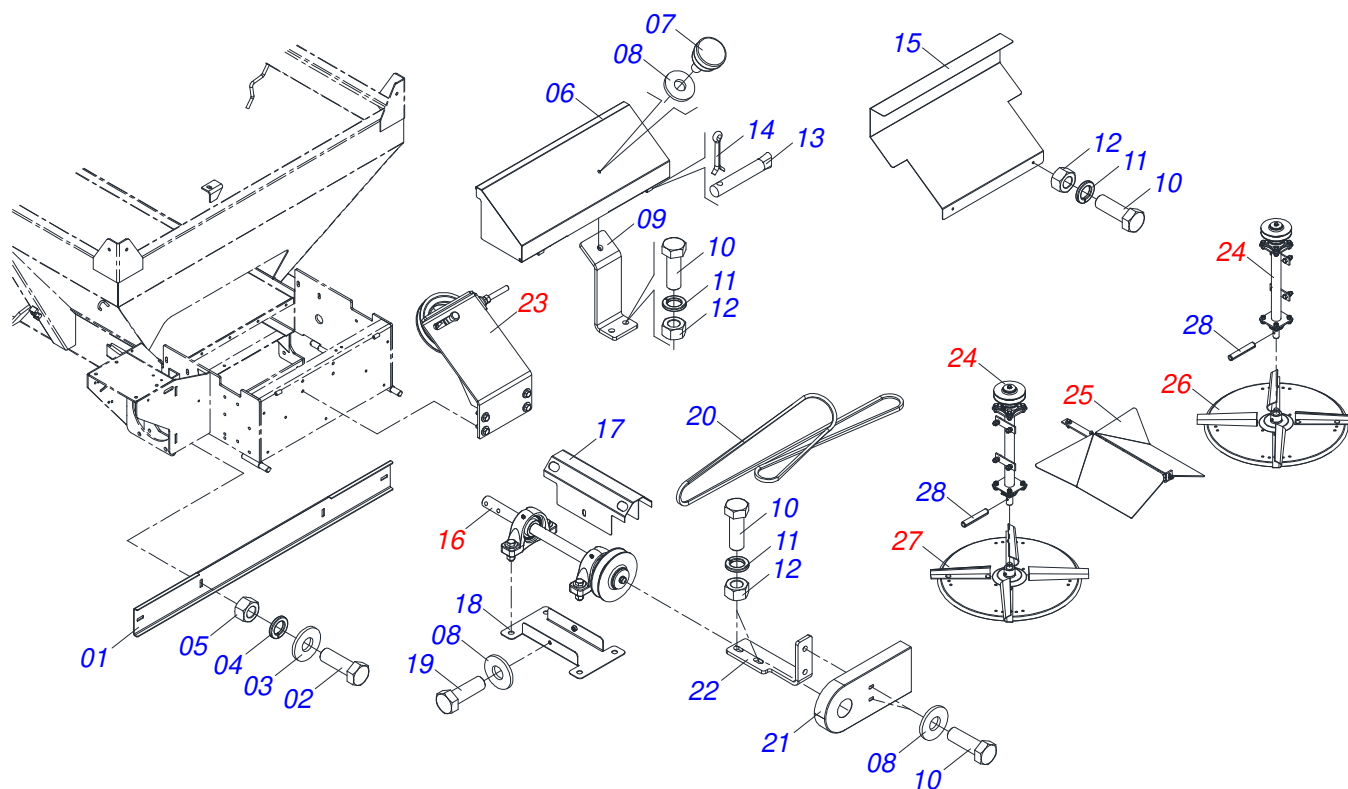
Item	Code	Description	See page	QT
01	0511067789	SUPPORT FLOW DIVIDING		01
02	0503010751	C3/8" X 1.1/4" HEX BOLT G.5		02
03	0503010025	3/8 SPRING WASHER		02
04	0501010984	10,50 X 27 X 3,00 FLAT WASHER		02
05	0503010026	3/8" NUT		02
06	0511067787	LEFT FLOW DIVIDING		01
07	0511067786	RIGHT FLOW DIVIDING		01
08	0551011815	OPEN SPRING		01
09	0503010584	1/4" X 1" COTTERPIN		01
10	0501067368	DIVISOR REGULATOR OPEN		02
11	0503011404	BOLT		01
12	0503010026	3/8" NUT		02



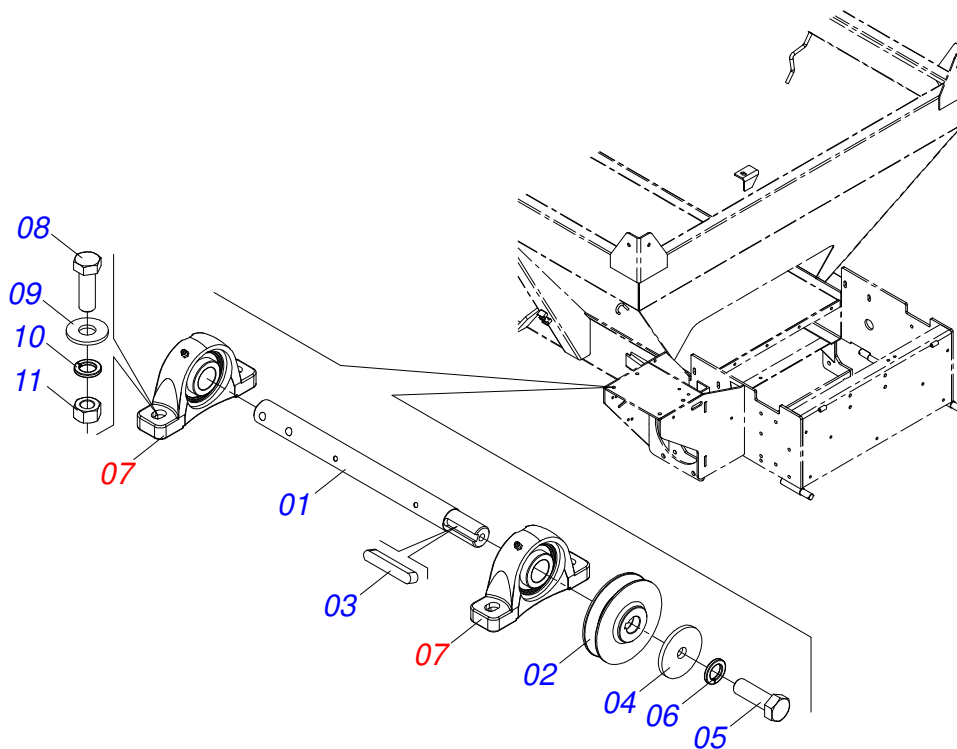
Item	Code	Description	See page	QT
01	0511063411	DISTRIBUTOR DISC		01
02	0531014343	RH FLIP		04
03	0503013029	3/8" X 3/4" BOLT		08
04	0503011443	3/8" SPRING WASHER		08
05	0503010026	3/8" NUT		08



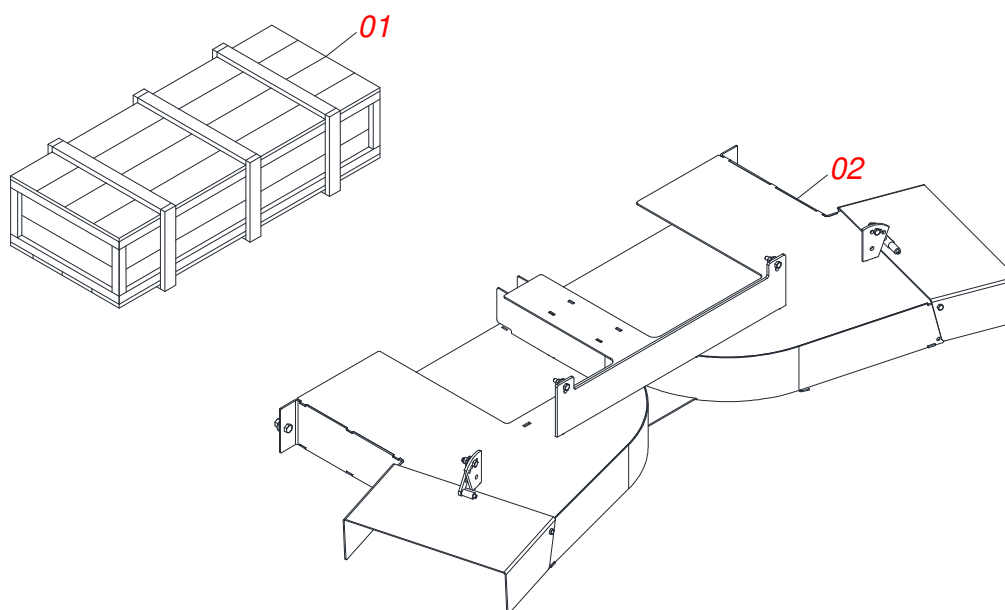
Item	Code	Description	See page	QT
01	0511063411	DISTRIBUTOR DISC		01
02	0531014344	LH FLIP		04
03	0503013029	3/8" X 3/4" BOLT		08
04	0503011443	3/8" SPRING WASHER		08
05	0503010026	3/8" NUT		08



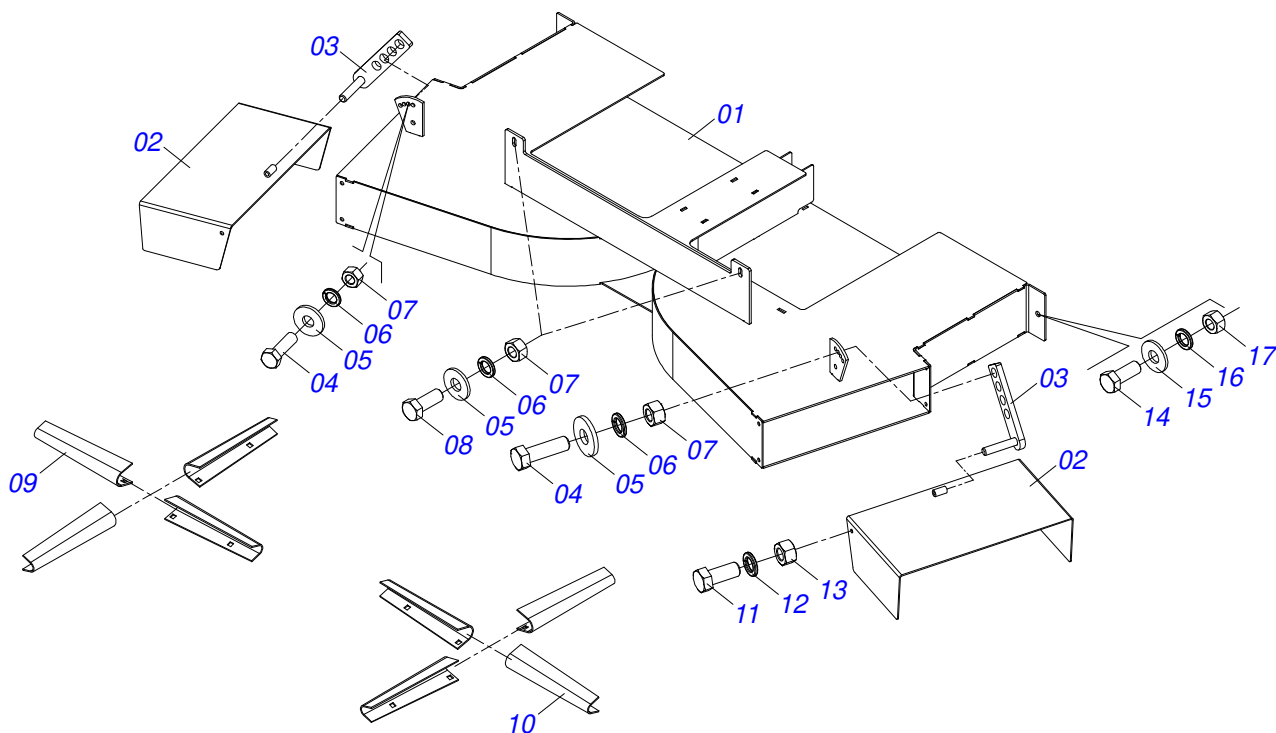
Item	Code	Description	See page	QT
01	0531014338	BAMPER		01
02	0503010920	1/2 UNC X 1.1/2 C S G.5 ZN BOLT		02
03	0511017302	FLAT WASHER 13,50 X 32,50 X 3,0 ZN		02
04	0503010019	1/2" SPRING WASHER		02
05	0503010060	1/2 UNC G.5 ZN HEX NUT		02
06	0521068560	REAR COVER		01
07	0503010386	CABLE		01
08	0501010984	10,50 X 27 X 3,00 FLAT WASHER		05
09	0511067790	REAR FIXER COVER		01
10	0503010237	3/8" X 1" BOLT		08
11	0503010025	3/8 SPRING WASHER		06
12	0503010026	3/8" NUT		06
13	0501017574	0.3" X 2.7" AXLE		02
14	0503010140	1/8" X 3/4" COTTERPIN		02
15	0581016761	BELT INTERNAL PROTECTION		01
16	0521052274	489 TRANSMISSION AXLE WITH BEARINGS	47	01
17	0581015152	COVER PROTECTION		01
18	0521068109	FIXER PROTECTION COVER		01
19	0503010240	BOLT		02
20	0503012941	C-148 BELT		01
21	0531015149	BELT PROTECTION SIDE		01
22	0521063891	FIXER OF PROTECTION		01
23	0501057196	BELT TENSIONER ASSY	40	01
24	0501057193	DISC SUPPORT	41	02
25	0501057323	DEFLECTOR	43	01
26	0501053870	DISTRIBUTOR RIGHT DISC ASSY	44	01
27	0501053871	DISTRIBUTOR LEFT DISC ASSY	45	01
28	0503010361	SPRING PIN		02



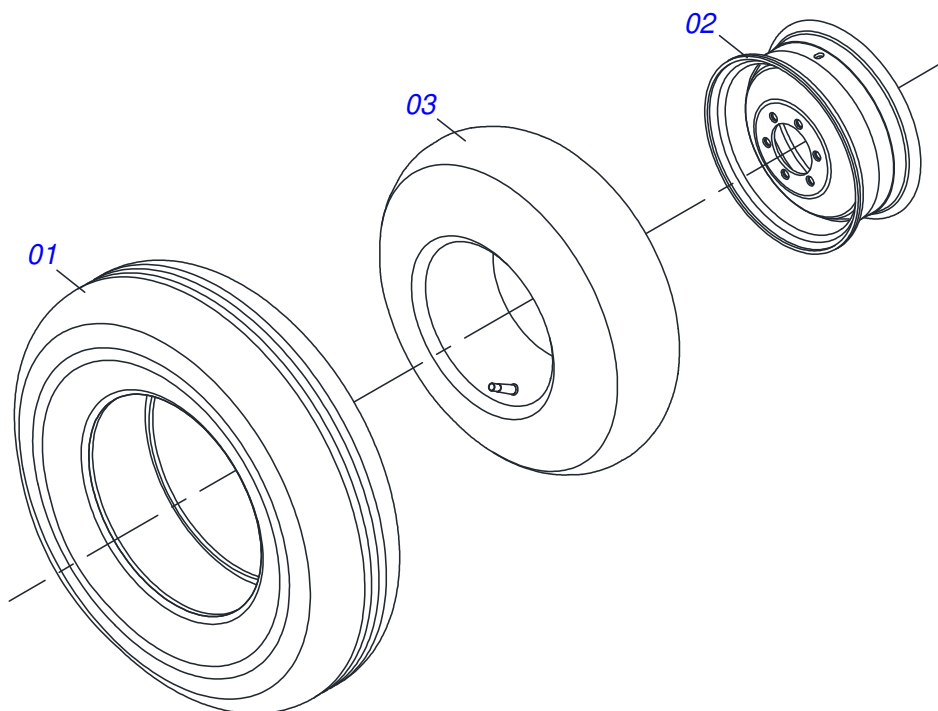
Item	Code	Description	See page	QT
01	0581016356	TRANSMISSION AXIS 489		01
02	0502011361	REEL 1C 5.5" X 1.1" PULLEY		01
03	0501010540	KEYWAY SQUARE		01
04	0511014052	FLAT WASHER		01
05	0503010355	7/16" X 1" BOLT		01
06	0503011446	SPRING WASHER		01
07	0511041213	AGRICULTURAL BEARING	7	02
08	0503010740	BOLT 1/2 UNC X 2 CS G.5 ZN		04
09	0511017302	FLAT WASHER 13,50 X 32,50 X 3,0 ZN		04
10	0503011440	SPRING WASHER		04
11	0503010060	1/2 UNC G.5 ZN HEX NUT		04



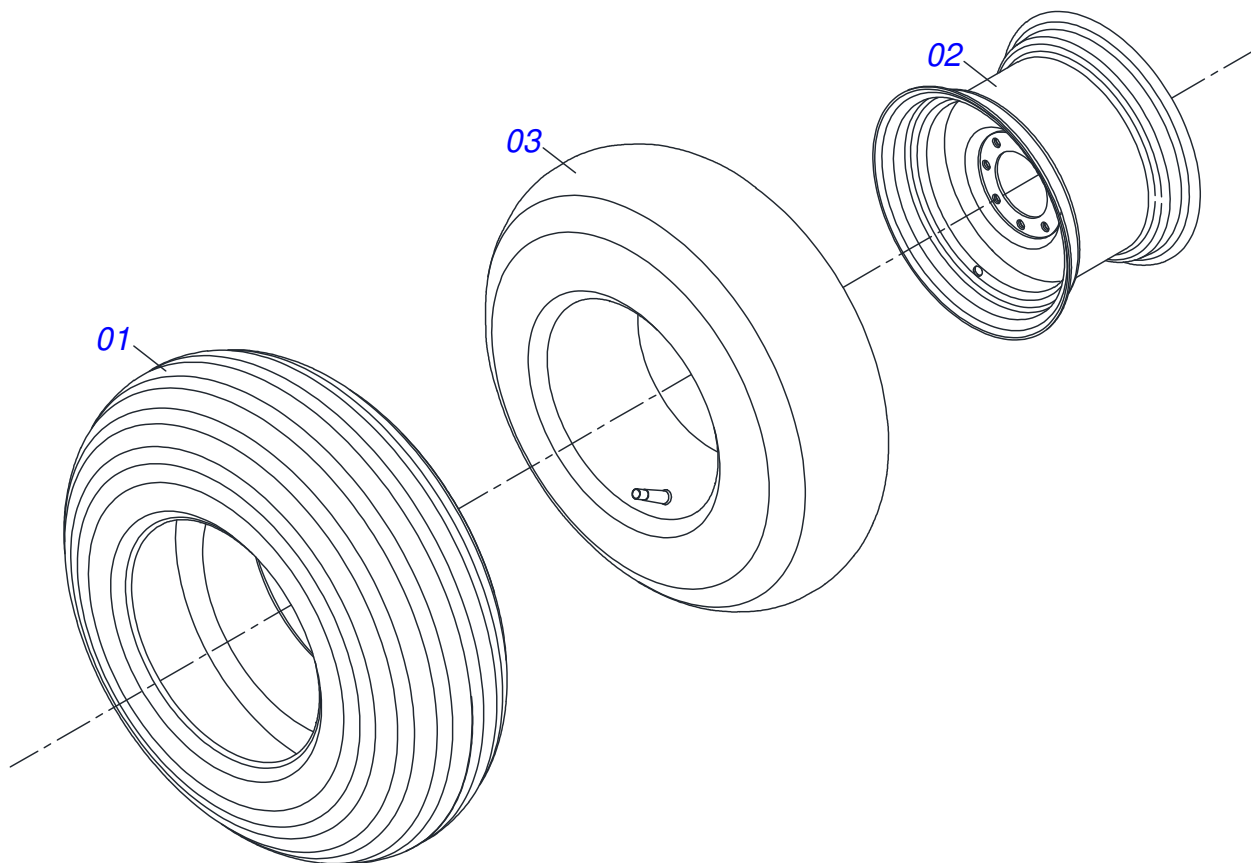
Item	Code	Description	See page	QT
01	0501100045	WOODEN BOX		01
02	0511045359	CONTROLLER DCO/V ASSY	49	01



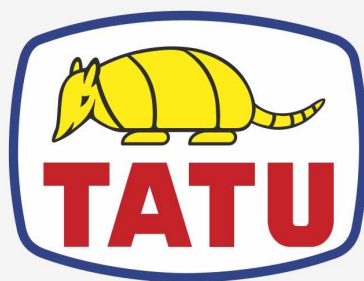
Item	Code	Description	See page	QT
01	0511067945	CONTROLLER DCO/V ASSY		01
02	0511064254	CONTROLLER SPOUT		02
03	0501067368	DIVISOR REGULATOR OPEN		02
04	0503010751	C3/8" X 1.1/4" HEX BOLT G.5		02
05	0501010984	10,50 X 27 X 3,00 FLAT WASHER		04
06	0503010025	3/8 SPRING WASHER		04
07	0503010026	3/8" NUT		04
08	0503010849	3/8" X 1-1/2" BOLT		02
09	0531014343	RH FLIP		04
10	0531014344	LH FLIP		04
11	0503010240	BOLT		04
12	0503010179	LOCK WASHER 5/16 ZN 1K01528		04
13	0503010337	5/16" NUT		04
14	0503010395	1/2" X 1-1/4" BOLT		02
15	0511017302	FLAT WASHER 13,50 X 32,50 X 3,0 ZN		02
16	0503010019	1/2" SPRING WASHER		02
17	0503010060	1/2 UNC G.5 ZN HEX NUT		02



Item	Code	Description	See page	QT
01	0503010120	CANVAS TIRE		01
02	0521062708	WHEEL 5,50 X 16 X 118 X 6F 16,50 X 152,40		01
03	0503010033	7.50 X 16 INNER TIRE		01



Item	Code	Description	See page	QT
01	0503010858	CANVAS TIRE		01
02	0503011468	WEEL		01
03	0503010860	AIR CHAMBER 11L 15		01



MARCHESAN

Technical Publications | Elaboration and Revision

LORENA ROCHA ALVES

www.marchesan.com.br

