

**SUBSOILER PLOW**

## ROMPTHOR 450 LINEAR CLASSIC S-1025

**Code:** 0501094257  
**Series:** S-1025  
**Revision:** 00  
**Revision Date:** MAIO/2026

# PARTS CATALOGUE



**MARCHESAN**



# PRODUCTS

Code	Working Width	Description
0101330023		ROMPTHOR 450 LINEAR CLASSIC 10HMP DC RS S-1025
0101330007		ROMPTHOR 450 LINEAR CLASSIC 10HRA DC RS S-1025
0101330024		ROMPTHOR 450 LINEAR CLASSIC 11HMP DC RS S-1025
0101330008		ROMPTHOR 450 LINEAR CLASSIC 11HRA DC RS S-1025
0101330017		ROMPTHOR 450 LINEAR CLASSIC 4HMP DC RS S-1025
0101330018		ROMPTHOR 450 LINEAR CLASSIC 5HMP DC RS S-1025
0101330002		ROMPTHOR 450 LINEAR CLASSIC 5HRA DC RS S-1025
0101330019		ROMPTHOR 450 LINEAR CLASSIC 6HMP DC RS S-1025
0101330003		ROMPTHOR 450 LINEAR CLASSIC 6HRA DC RS S-1025
0101330020		ROMPTHOR 450 LINEAR CLASSIC 7HMP DC RS S-1025
0101330004		ROMPTHOR 450 LINEAR CLASSIC 7HRA DC RS S-1025
0101330021		ROMPTHOR 450 LINEAR CLASSIC 8HMP DC RS S-1025
0101330005		ROMPTHOR 450 LINEAR CLASSIC 8HRA DC RS S-1025
0101330022		ROMPTHOR 450 LINEAR CLASSIC 9HMP DC RS S-1025
0101330006		ROMPTHOR 450 LINEAR CLASSIC 9HRA DC RS S-1025

## ATTENTION: IMPORTANT

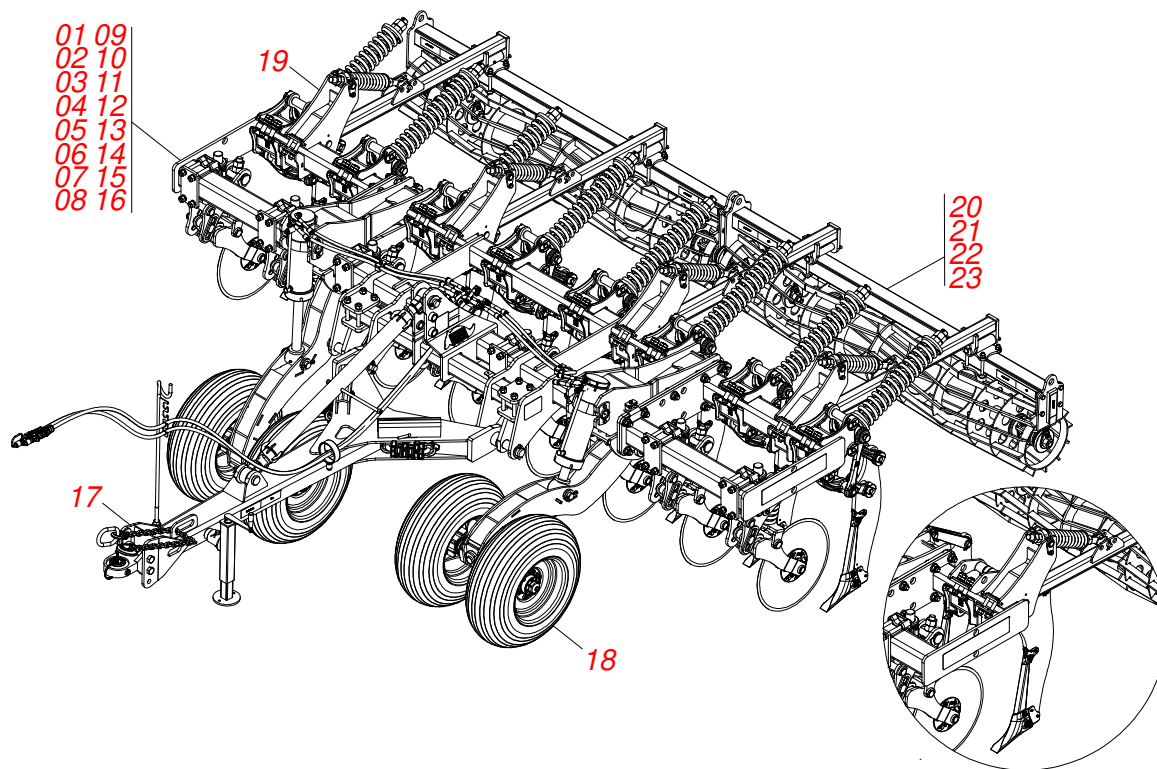
Marchesan S.A. reserves the right to improve and/or modify the technical features of its products, without obligation to do the same with those products already sold and without prior knowledge of the dealer or the customer. The photos are only illustrative.



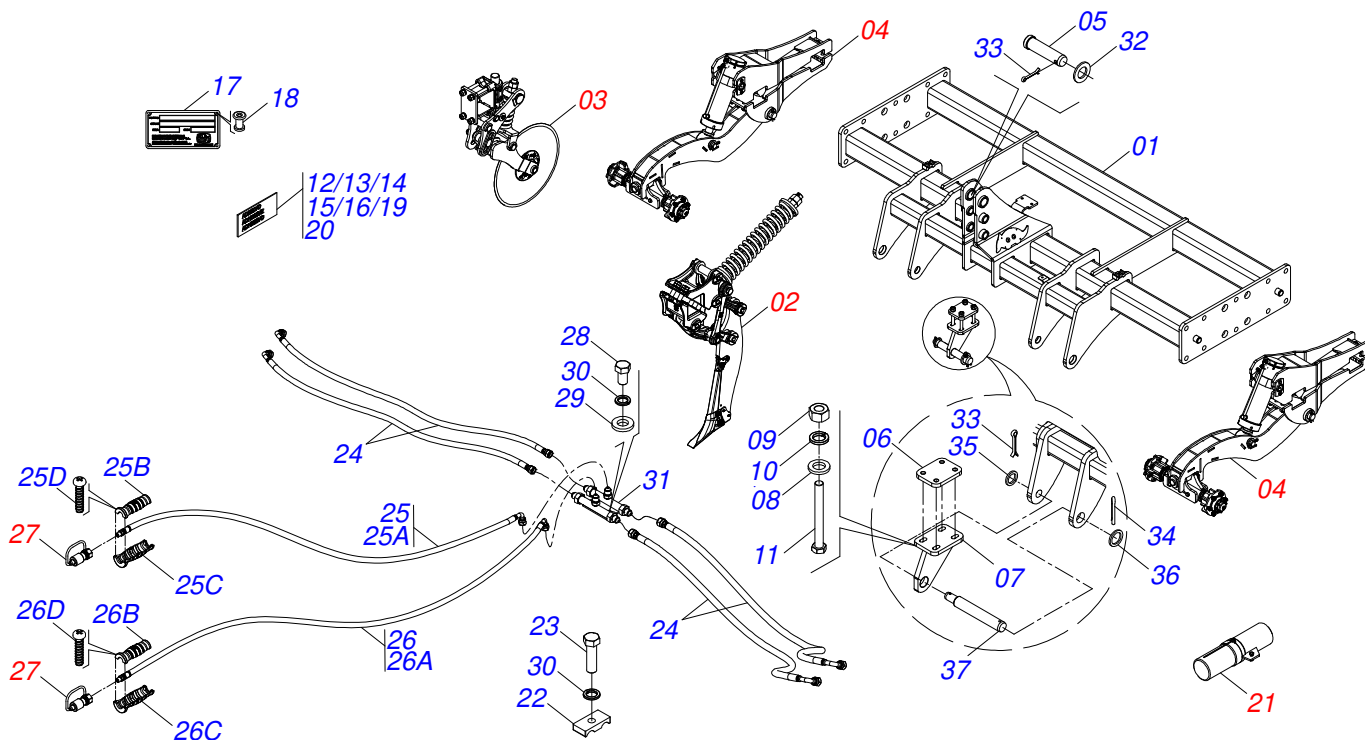
**MARCHESAN**

# INDEX

0909097532	ASSY FRAME 04 A 11 SHANKS	.....	1
0531048121	FRAME ASSY 4HRA	.....	2
0531048221	FRAME ASSY 4HMP	.....	3
0531048123	FRAME ASSY 5HRA	.....	4
0531048223	FRAME ASSY 5HMP	.....	5
0531048125	FRAME ASSY 6HRA	.....	6
0531048225	FRAME ASSY 6HMP	.....	7
0531048127	FRAME ASSY 7HRA	.....	8
0531048227	FRAME ASSY 7HMP	.....	9
0531048129	FRAME ASSY 8HRA	.....	10
0531048229	FRAME ASSY 8HMP	.....	11
0531048131	FRAME ASSY 9HRA	.....	12
0531048231	FRAME ASSY 9HMP	.....	13
0531048133	FRAME ASSY 10HRA	.....	14
0531048237	FRAME ASSY 10HMP	.....	15
0531048135	FRAME ASSY 11HRA	.....	16
0531048235	FRAME ASSY 11HMP	.....	17
0531047928	SUBSOILER ROD	.....	18
0531048155	FLAT SPRING SUBSOILER SHANK	.....	19
0541053915	22 BLADE DISC ASSY	.....	20
0541053916	DISC BLADE SUPPORT	.....	21
0541057300	COULTER BLADE BOX	.....	22
0511056909	DISC BLADE HUB WITHOUT DISC	.....	23
0503060181	WHEEL AND TIRE	.....	24
0551050515	COMPLETE UPPER ARM ASSEMBLY	.....	24
0551050816	FRONT DOUBLE WHEELS ASSEMBLY FOR 11L-15 TIRE (10 PLY)	.....	25
0531054025	HYDRAULIC CILINDER	.....	26
0531054036	ASSY CENTER CYLINDER BEARING	.....	27
0541059417	STUB SHAFT & HUB ASSY	.....	28
0501051142	CARRYING WHEEL HUB	.....	29
0531048114	CAGE ROLLER ASSEMBLY (2390)	.....	30
0531048117	CAGE ROLLER ASSEMBLY (3310)	.....	31
0531048112	CAGE ROLLER ASSEMBLY (1790)	.....	32
0531048113	CAGE ROLLER ASSEMBLY (2090)	.....	33
0501058802	5/8 UNC X 2.3/4 BOLT ASSY	.....	34
0501046922	AGRICULTURAL BEARING DM OL 7 X 1.1/4 IMPLEMENT	.....	35



Item	Code	Description	See page	04	05	06	07	08	09	10	11
01	0531048121	FRAME ASSY 4HRA	2	01	00	00	00	00	00	00	00
02	0531048221	FRAME ASSY 4HMP	3	01	00	00	00	00	00	00	00
03	0531048123	FRAME ASSY 5HRA	4	00	01	00	00	00	00	00	00
04	0531048223	FRAME ASSY 5HMP	5	00	01	00	00	00	00	00	00
05	0531048125	FRAME ASSY 6HRA	6	00	00	01	00	00	00	00	00
06	0531048225	FRAME ASSY 6HMP	7	00	00	01	00	00	00	00	00
07	0531048127	FRAME ASSY 7HRA	8	00	00	00	01	00	00	00	00
08	0531048227	FRAME ASSY 7HMP	9	00	00	00	01	00	00	00	00
09	0531048129	FRAME ASSY 8HRA	10	00	00	00	00	01	00	00	00
10	0531048229	FRAME ASSY 8HMP	11	00	00	00	00	01	00	00	00
11	0531048131	FRAME ASSY 9HRA	12	00	00	00	00	00	01	00	00
12	0531048231	FRAME ASSY 9HMP	13	00	00	00	00	00	01	00	00
13	0531048133	FRAME ASSY 10HRA	14	00	00	00	00	00	00	01	00
14	0531048237	FRAME ASSY 10HMP	15	00	00	00	00	00	00	01	00
15	0531048135	FRAME ASSY 11HRA	16	00	00	00	00	00	00	00	01
16	0531048235	FRAME ASSY 11HMP	17	00	00	00	00	00	00	00	01
17	0531048146	DRAWBAR ASSY		01	01	01	01	01	01	01	01
18	0503060181	WHEEL AND TIRE	24	04	04	04	04	04	04	04	04
19	0541053914	CRUMBLER ROLLER ARM		02	02	04	04	04	06	06	06
20	0531048114	CAGE ROLLER ASSEMBLY (2390)	30	01	00	00	00	02	00	00	02
21	0531048117	CAGE ROLLER ASSEMBLY (3310)	31	00	01	00	00	00	00	00	00
22	0531048112	CAGE ROLLER ASSEMBLY (1790)	32	00	00	02	00	00	03	01	01
23	0531048113	CAGE ROLLER ASSEMBLY (2090)	33	00	00	00	02	00	00	02	00

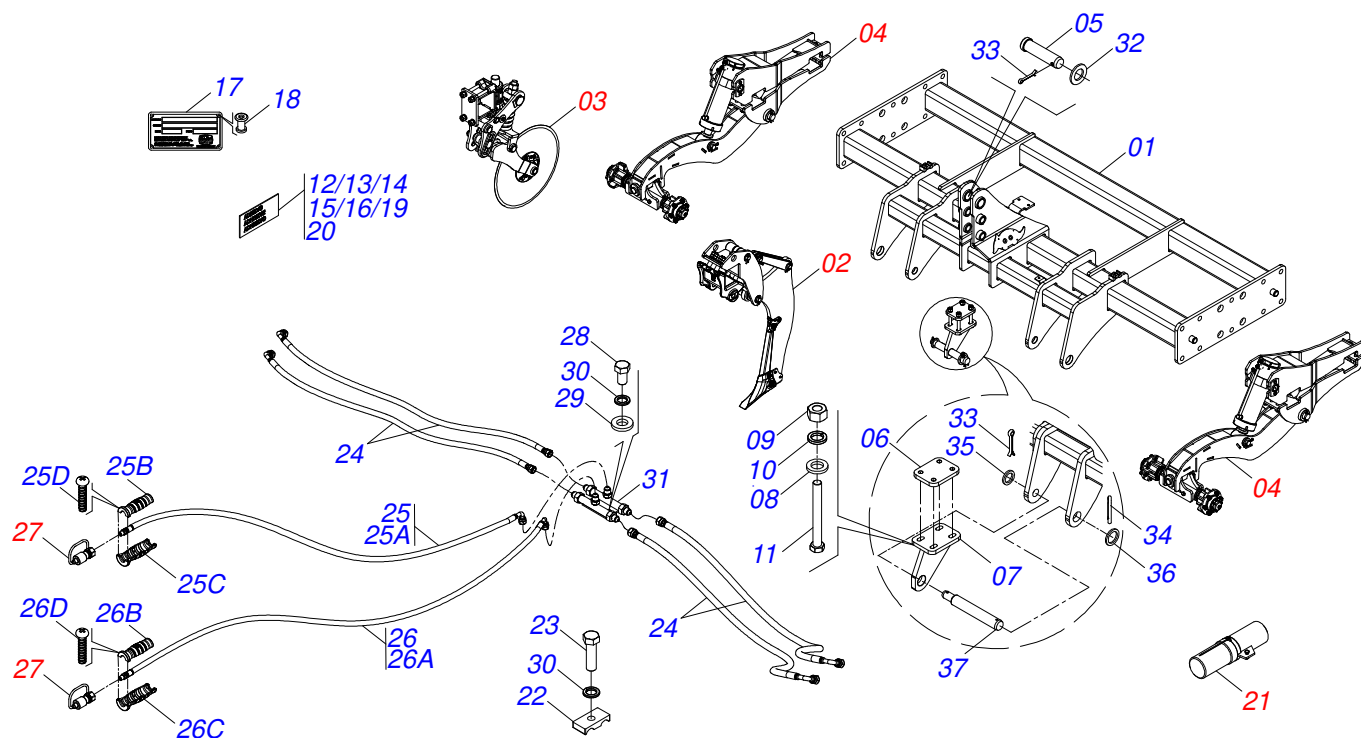


Item	Code	Description	See page	QT
01	0541062254	FRAME 4H		01
02	0531047928	SUBSOILER ROD	18	04
03	0541053915	22 BLADE DISC ASSY	20	04
04	0551050816	FRONT DOUBLE WHEELS ASSEMBLY FOR 11L-15 TIRE (10 PLY)	25	02
05	0501514883	UPPER HITCH AXLE		01
06	0571016880	FIXER FLANGE ADJUSTABLE PLATE		02
07	0521065143	ADJUSTABLE FLANGE		02
08	0511015255	FLAT WASHER		08
09	0503010014	HEX NUT 3/4" ZN G.5 (HEAVY) UNC		08
10	0503010023	SPRING WASHER 3/4"		08
11	0503012729	3/4" X 6-3/4" BOLT		08
12	0503031942	MANUAL SEAL DECAL		01
13	0503031087	AUTO CONTROL APPROVED DECAL		01
14	0503031827	DAILY LUBRICATION AND RETIGHTENING DECAL		01
15	0503031428	ATTENTION READ MANUAL DECAL		01
16	0503033795	TATU LOGO DECAL		02
17	0503034003	61 X 118 SERIAL NUMBER TAG		01
18	0503010001	RIVET 3,2 X 5,5		04
19	0503037826	ADHESIVE LABEL ROMPTHOR 450 CLASSIC 500 X 100MM		02
20	0503031803	IMPORTANT DECAL		01
21	0551050846	MANUAL CANISTER ASSY		01
22	1902010477	UPPER CLAMP BODY		02
23	0503011135	BOLT 7/16" UNC X 1.1/2" C S G.5 ZN		02
24	0501081889	HOSE 3/8 X 1300 TR-TC		04
25	0521056919	3/8 X 4300 TC-TM HOSE BLACK / RED		01
25A	0501080446	3/8 X" 169" TC-TM HOSE ASSY		01
25B	0503034492	HYDRAULIC HOSE GRIP (BLACK)		01
25C	0503034495	HYDRAULIC HOSE GRIP (RED)		01
25D	0503018952	PLASTIC BOLT PH 2.5 X 10 ZB		06
26	0521052287	TC-TM HOSE ASSY		01

## FRAME ASSY 4HRA

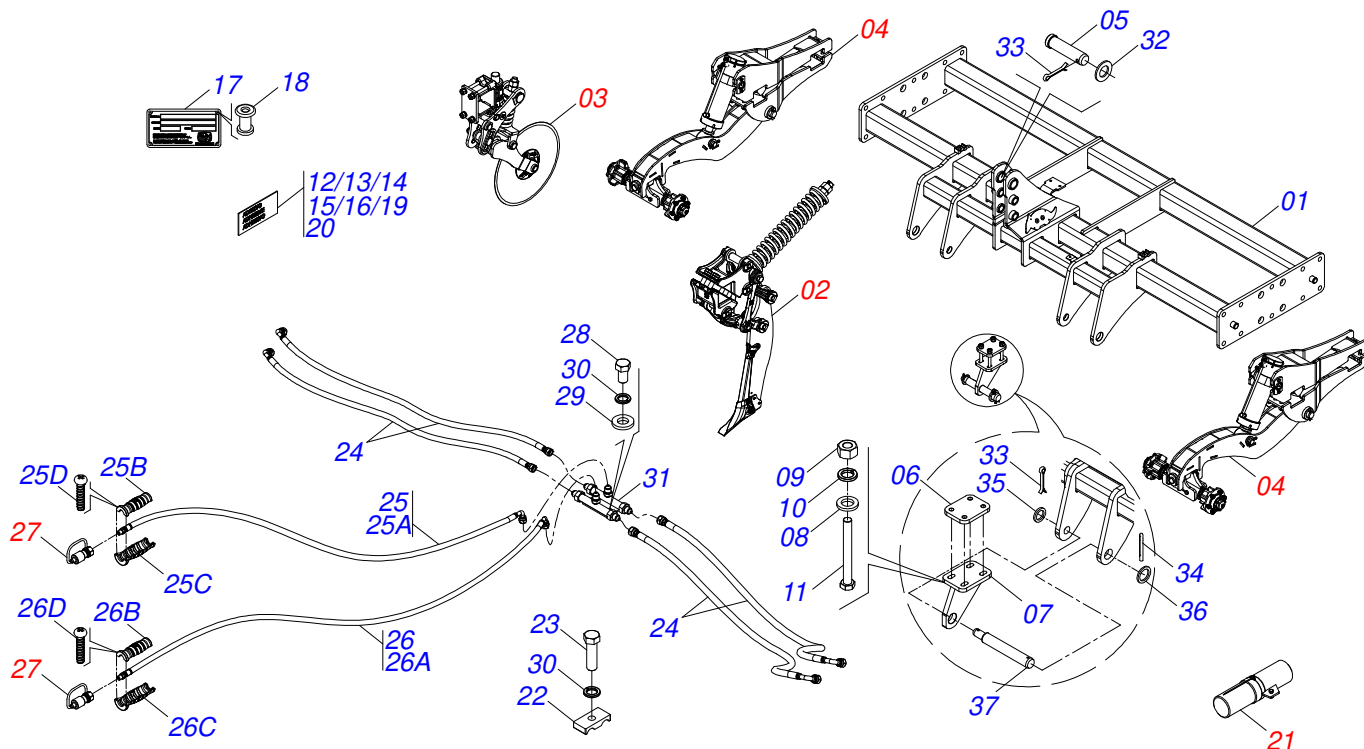
0531048121

Item	Code	Description	See page	QT
26A	0501080446	3/8 X" 169" TC-TM HOSE ASSY		01
26B	0503034492	HYDRAULIC HOSE GRIP (BLACK)		01
26C	0503034494	HYDRAULIC HOSE GRIP (BLUE)		01
26D	0503018952	PLASTIC BOLT PH 2.5 X 10 ZB		06
27	0501053834	MALE QUICK COUPLER		02
28	0503010813	7/16" X 3/4" BOLT		02
29	0521014508	FLAT WASHER		02
30	0503010180	SPRING WASHER 7/16"		04
31	0501068706	DOUBLE CONNECTION		01
32	0591012501	FLAT WASHER 45,50 X 80 X 6,30		01
33	0503010534	3/8" X 2.1/2" SPLIT PIN		03
34	0503010073	3/8" X 3.1/2" SPLIT PIN		02
35	0501010679	FLAT WASHER		02
36	0511019776	FLAT WASHER		02
37	0501511943	LOWER HITCHING AXLE		02



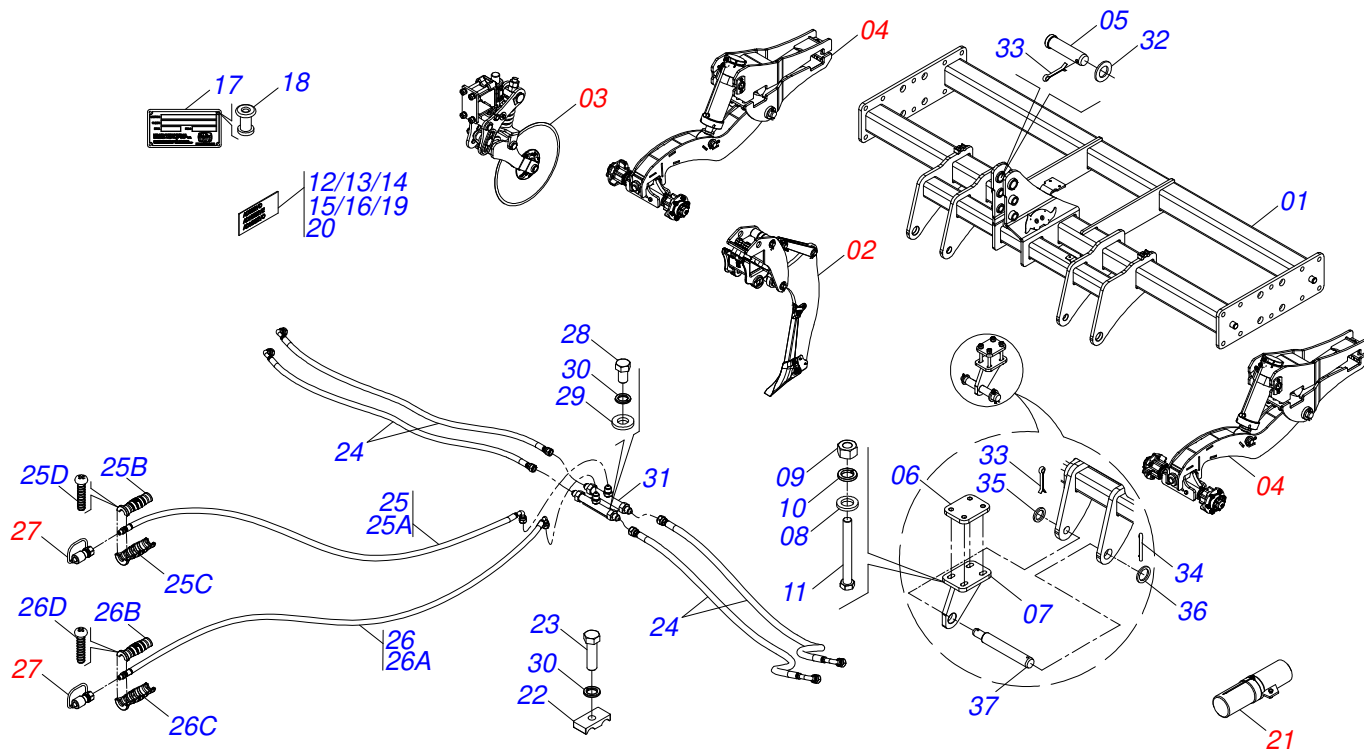
Item	Code	Description	See page	QT
01	0541062254	FRAME 4H		01
02	0531048155	FLAT SPRING SUBSOILER SHANK	19	04
03	0541053915	22 BLADE DISC ASSY	20	04
04	0551050816	FRONT DOUBLE WHEELS ASSEMBLY FOR 11L-15 TIRE (10 PLY)	25	02
05	0501514883	UPPER HITCH AXLE		01
06	0571016880	FIXER FLANGE ADJUSTABLE PLATE		02
07	0521065143	ADJUSTABLE FLANGE		02
08	0511015255	FLAT WASHER		08
09	0503010014	HEX NUT 3/4" ZN G.5 (HEAVY) UNC		08
10	0503010023	SPRING WASHER 3/4"		08
11	0503012729	3/4" X 6-3/4" BOLT		08
12	0503031942	MANUAL SEAL DECAL		01
13	0503031087	AUTO CONTROL APPROVED DECAL		01
14	0503031827	DAILY LUBRICATION AND RETIGHTENING DECAL		01
15	0503031428	ATTENTION READ MANUAL DECAL		01
16	0503033795	TATU LOGO DECAL		02
17	0503034003	61 X 118 SERIAL NUMBER TAG		01
18	0503010001	RIVET 3,2 X 5,5		04
19	0503037826	ADHESIVE LABEL ROMPTHOR 450 CLASSIC 500 X 100MM		02
20	0503031803	IMPORTANT DECAL		01
21	0551050846	MANUAL CANISTER ASSY		01
22	1902010477	UPPER CLAMP BODY		02
23	0503011135	BOLT 7/16" UNC X 1.1/2" C S G.5 ZN		02
24	0501081889	HOSE 3/8 X 1300 TR-TC		04
25	0521056919	3/8 X 4300 TC-TM HOSE BLACK / RED		01
25A	0501080446	3/8 X" 169" TC-TM HOSE ASSY		01
25B	0503034492	HYDRAULIC HOSE GRIP (BLACK)		01
25C	0503034495	HYDRAULIC HOSE GRIP (RED)		01
25D	0503018952	PLASTIC BOLT PH 2.5 X 10 ZB		06
26	0521052287	TC-TM HOSE ASSY		01

Item	Code	Description	See page	QT
26A	0501080446	3/8 X" 169" TC-TM HOSE ASSY		01
26B	0503034492	HYDRAULIC HOSE GRIP (BLACK)		01
26C	0503034494	HYDRAULIC HOSE GRIP (BLUE)		01
26D	0503018952	PLASTIC BOLT PH 2.5 X 10 ZB		06
27	0501053834	MALE QUICK COUPLER		02
28	0503010813	7/16" X 3/4" BOLT		02
29	0521014508	FLAT WASHER		02
30	0503010180	SPRING WASHER 7/16"		04
31	0501068706	DOUBLE CONNECTION		01
32	0591012501	FLAT WASHER 45,50 X 80 X 6,30		01
33	0503010534	3/8" X 2.1/2" SPLIT PIN		03
34	0503010073	3/8" X 3.1/2" SPLIT PIN		02
35	0501010679	FLAT WASHER		02
36	0511019776	FLAT WASHER		02
37	0501511943	LOWER HITCHING AXLE		02



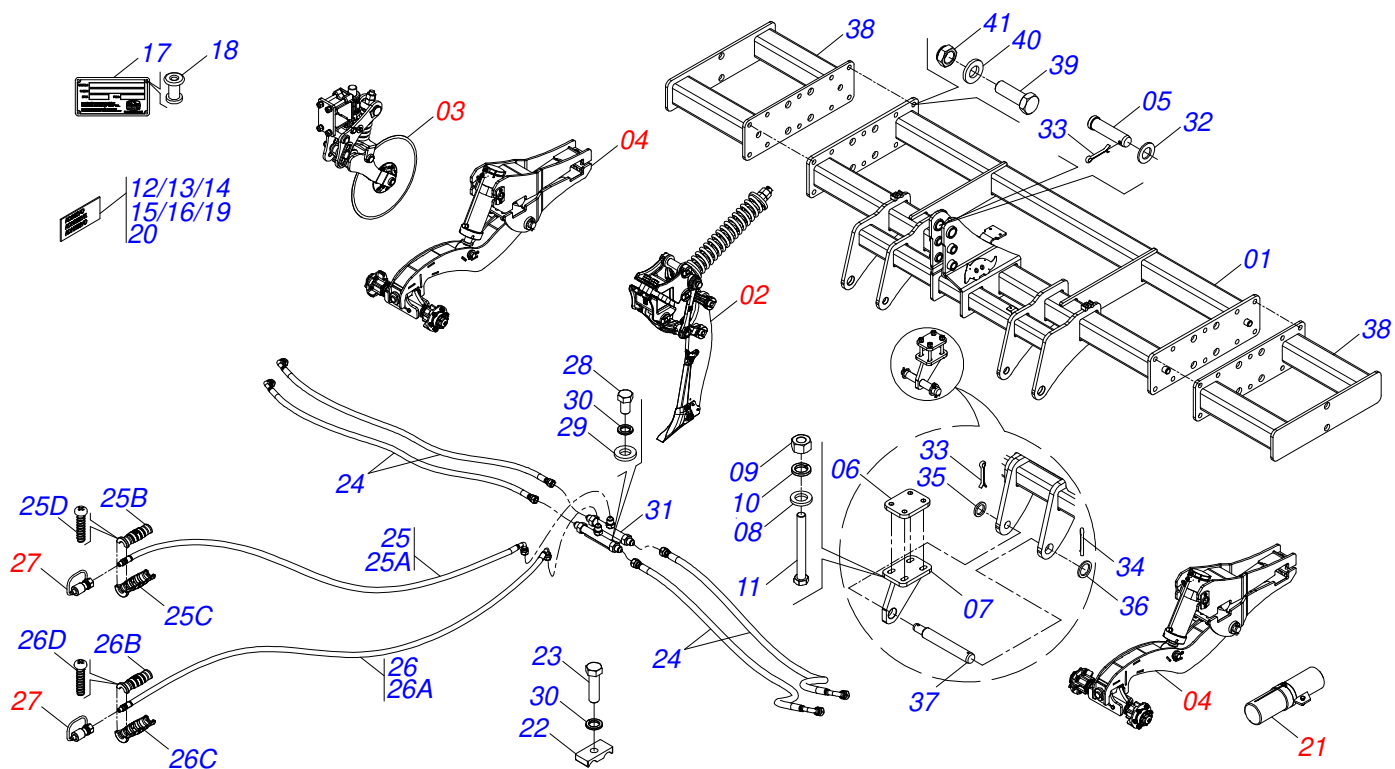
Item	Code	Description	See page	QT
01	0541062277	FRAME 5H		01
02	0531047928	SUBSOILER ROD	18	05
03	0541053915	22 BLADE DISC ASSY	20	05
04	0551050816	FRONT DOUBLE WHEELS ASSEMBLY FOR 11L-15 TIRE (10 PLY)	25	02
05	0501514883	UPPER HITCH AXLE		01
06	0571016880	FIXER FLANGE ADJUSTABLE PLATE		02
07	0521065143	ADJUSTABLE FLANGE		02
08	0511015255	FLAT WASHER		08
09	0503010014	HEX NUT 3/4" ZN G.5 (HEAVY) UNC		08
10	0503010023	SPRING WASHER 3/4"		08
11	0503012729	3/4" X 6-3/4" BOLT		08
12	0503031942	MANUAL SEAL DECAL		01
13	0503031087	AUTO CONTROL APPROVED DECAL		01
14	0503031827	DAILY LUBRICATION AND RETIGHTENING DECAL		01
15	0503031428	ATTENTION READ MANUAL DECAL		01
16	0503033795	TATU LOGO DECAL		02
17	0503034003	61 X 118 SERIAL NUMBER TAG		01
18	0503010001	RIVET 3,2 X 5,5		04
19	0503037826	ADHESIVE LABEL ROMPTHOR 450 CLASSIC 500 X 100MM		02
20	0503031803	IMPORTANT DECAL		01
21	0551050846	MANUAL CANISTER ASSY		01
22	1902010477	UPPER CLAMP BODY		02
23	0503011135	BOLT 7/16" UNC X 1.1/2" C S G.5 ZN		02
24	0501081889	HOSE 3/8 X 1300 TR-TC		04
25	0521056919	3/8 X 4300 TC-TM HOSE BLACK / RED		01
25A	0501080446	3/8 X" 169" TC-TM HOSE ASSY		01
25B	0503034492	HYDRAULIC HOSE GRIP (BLACK)		01
25C	0503034495	HYDRAULIC HOSE GRIP (RED)		01
25D	0503018952	PLASTIC BOLT PH 2.5 X 10 ZB		06
26	0521052287	TC-TM HOSE ASSY		01

Item	Code	Description	See page	QT
26A	0501080446	3/8 X" 169" TC-TM HOSE ASSY		01
26B	0503034492	HYDRAULIC HOSE GRIP (BLACK)		01
26C	0503034494	HYDRAULIC HOSE GRIP (BLUE)		01
26D	0503018952	PLASTIC BOLT PH 2.5 X 10 ZB		06
27	0501053834	MALE QUICK COUPLER		02
28	0503010813	7/16" X 3/4" BOLT		02
29	0521014508	FLAT WASHER		02
30	0503010180	SPRING WASHER 7/16"		04
31	0501068706	DOUBLE CONNECTION		01
32	0591012501	FLAT WASHER 45,50 X 80 X 6,30		01
33	0503010534	3/8" X 2.1/2" SPLIT PIN		03
34	0503010073	3/8" X 3.1/2" SPLIT PIN		02
35	0501010679	FLAT WASHER		02
36	0511019776	FLAT WASHER		02
37	0501511943	LOWER HITCHING AXLE		02



Item	Code	Description	See page	QT
01	0541062277	FRAME 5H		01
02	0531048155	FLAT SPRING SUBSOILER SHANK	19	05
03	0541053915	22 BLADE DISC ASSY	20	05
04	0551050816	FRONT DOUBLE WHEELS ASSEMBLY FOR 11L-15 TIRE (10 PLY)	25	02
05	0501514883	UPPER HITCH AXLE		01
06	0571016880	FIXER FLANGE ADJUSTABLE PLATE		02
07	0521065143	ADJUSTABLE FLANGE		02
08	0511015255	FLAT WASHER		08
09	0503010014	HEX NUT 3/4" ZN G.5 (HEAVY) UNC		08
10	0503010023	SPRING WASHER 3/4"		08
11	0503012729	3/4" X 6-3/4" BOLT		08
12	0503031942	MANUAL SEAL DECAL		01
13	0503031087	AUTO CONTROL APPROVED DECAL		01
14	0503031827	DAILY LUBRICATION AND RETIGHTENING DECAL		01
15	0503031428	ATTENTION READ MANUAL DECAL		01
16	0503033795	TATU LOGO DECAL		02
17	0503034003	61 X 118 SERIAL NUMBER TAG		01
18	0503010001	RIVET 3,2 X 5,5		04
19	0503037826	ADHESIVE LABEL ROMPTHOR 450 CLASSIC 500 X 100MM		02
20	0503031803	IMPORTANT DECAL		01
21	0551050846	MANUAL CANISTER ASSY		01
22	1902010477	UPPER CLAMP BODY		02
23	0503011135	BOLT 7/16" UNC X 1.1/2" C S G.5 ZN		02
24	0501081889	HOSE 3/8 X 1300 TR-TC		04
25	0521056919	3/8 X 4300 TC-TM HOSE BLACK / RED		01
25A	0501080446	3/8 X" 169" TC-TM HOSE ASSY		01
25B	0503034492	HYDRAULIC HOSE GRIP (BLACK)		01
25C	0503034495	HYDRAULIC HOSE GRIP (RED)		01
25D	0503018952	PLASTIC BOLT PH 2.5 X 10 ZB		06
26	0521052287	TC-TM HOSE ASSY		01

Item	Code	Description	See page	QT
26A	0501080446	3/8 X" 169" TC-TM HOSE ASSY		01
26B	0503034492	HYDRAULIC HOSE GRIP (BLACK)		01
26C	0503034494	HYDRAULIC HOSE GRIP (BLUE)		01
26D	0503018952	PLASTIC BOLT PH 2.5 X 10 ZB		06
27	0501053834	MALE QUICK COUPLER		02
28	0503010813	7/16" X 3/4" BOLT		02
29	0521014508	FLAT WASHER		02
30	0503010180	SPRING WASHER 7/16"		04
31	0501068706	DOUBLE CONNECTION		01
32	0591012501	FLAT WASHER 45,50 X 80 X 6,30		01
33	0503010534	3/8" X 2.1/2" SPLIT PIN		03
34	0503010073	3/8" X 3.1/2" SPLIT PIN		02
35	0501010679	FLAT WASHER		02
36	0511019776	FLAT WASHER		02
37	0501511943	LOWER HITCHING AXLE		02

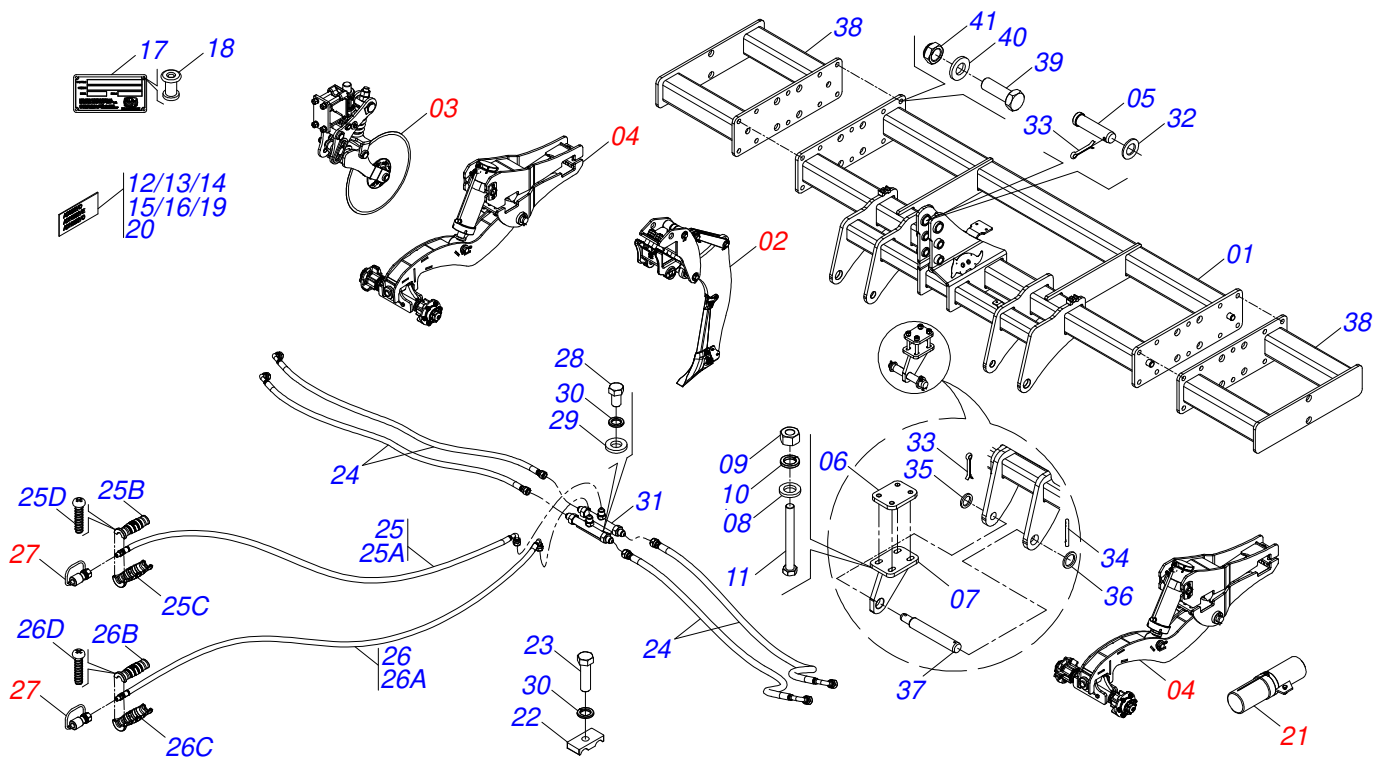


Item	Code	Description	See page	QT
01	0541062254	FRAME 4H		01
02	0531047928	SUBSOILER ROD	18	06
03	0541053915	22 BLADE DISC ASSY	20	06
04	0551050816	FRONT DOUBLE WHEELS ASSEMBLY FOR 11L-15 TIRE (10 PLY)	25	02
05	0501514883	UPPER HITCH AXLE		01
06	0571016880	FIXER FLANGE ADJUSTABLE PLATE		02
07	0521065143	ADJUSTABLE FLANGE		02
08	0511015255	FLAT WASHER		08
09	0503010014	HEX NUT 3/4" ZN G.5 (HEAVY) UNC		08
10	0503010023	SPRING WASHER 3/4"		08
11	0503012729	3/4" X 6-3/4" BOLT		08
12	0503031942	MANUAL SEAL DECAL		01
13	0503031087	AUTO CONTROL APPROVED DECAL		01
14	0503031827	DAILY LUBRICATION AND RETIGHTENING DECAL		01
15	0503031428	ATTENTION READ MANUAL DECAL		01
16	0503033795	TATU LOGO DECAL		02
17	0503034003	61 X 118 SERIAL NUMBER TAG		01
18	0503010001	RIVET 3,2 X 5,5		04
19	0503037826	ADHESIVE LABEL ROMPTHOR 450 CLASSIC 500 X 100MM		02
20	0503031803	IMPORTANT DECAL		01
21	0551050846	MANUAL CANISTER ASSY		01
22	1902010477	UPPER CLAMP BODY		02
23	0503011135	BOLT 7/16" UNC X 1.1/2" C S G.5 ZN		02
24	0501081889	HOSE 3/8 X 1300 TR-TC		04
25	0521056919	3/8 X 4300 TC-TM HOSE BLACK / RED		01
25A	0501080446	3/8 X 169" TC-TM HOSE ASSY		01
25B	0503034492	HYDRAULIC HOSE GRIP (BLACK)		01
25C	0503034495	HYDRAULIC HOSE GRIP (RED)		01
25D	0503018952	PLASTIC BOLT PH 2.5 X 10 ZB		06
26	0521052287	TC-TM HOSE ASSY		01

FRAME ASSY 6HRA

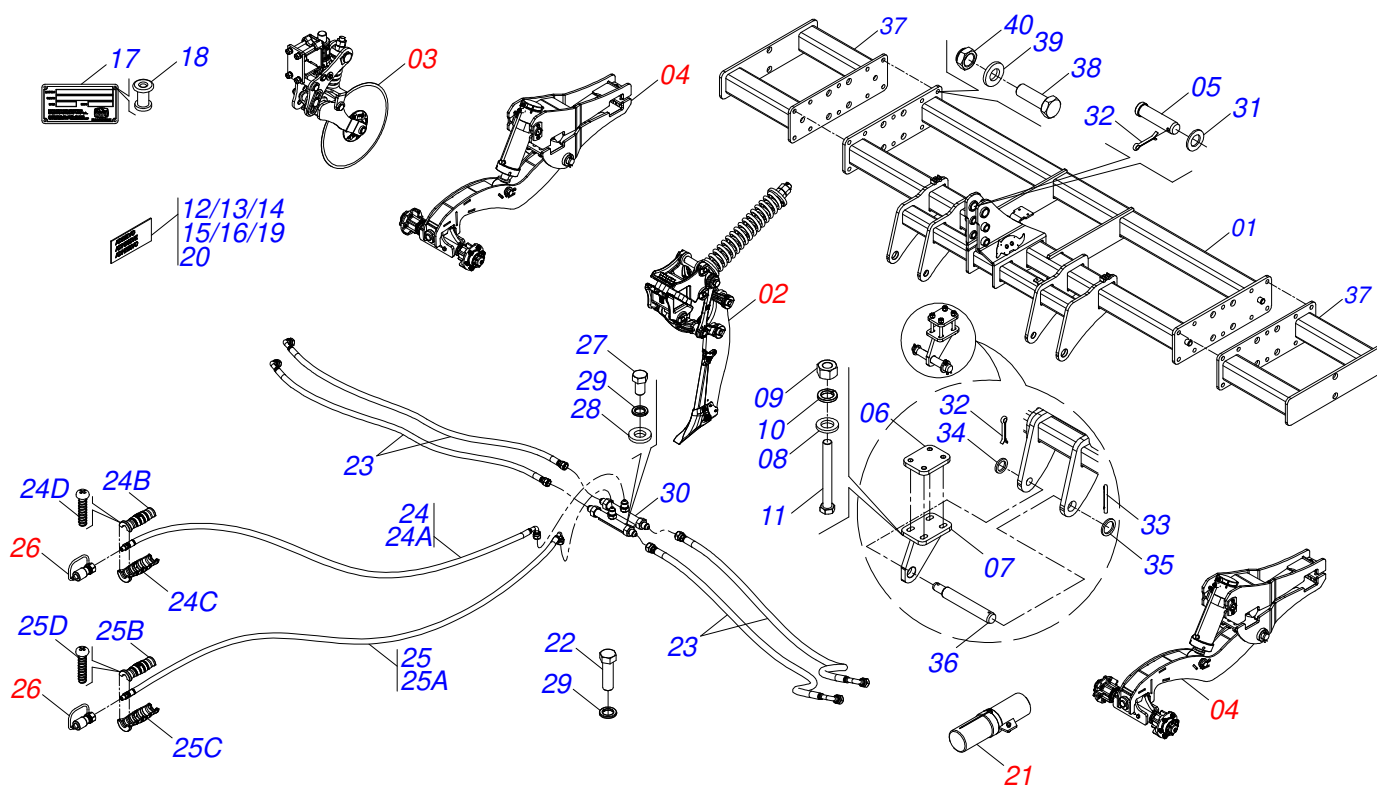
0531048125

Item	Code	Description	See page	QT
26A	0501080446	3/8 X" 169" TC-TM HOSE ASSY		01
26B	0503034492	HYDRAULIC HOSE GRIP (BLACK)		01
26C	0503034494	HYDRAULIC HOSE GRIP (BLUE)		01
26D	0503018952	PLASTIC BOLT PH 2.5 X 10 ZB		06
27	0501053834	MALE QUICK COUPLER		02
28	0503010813	7/16" X 3/4" BOLT		02
29	0521014508	FLAT WASHER		02
30	0503010180	SPRING WASHER 7/16"		04
31	0501068706	DOUBLE CONNECTION		01
32	0591012501	FLAT WASHER 45,50 X 80 X 6,30		01
33	0503010534	3/8" X 2.1/2" SPLIT PIN		03
34	0503010073	3/8" X 3.1/2" SPLIT PIN		02
35	0501010679	FLAT WASHER		02
36	0511019776	FLAT WASHER		02
37	0501511943	LOWER HITCHING AXLE		02
38	0541062268	EXTENSION 1H		02
39	0501010276	BOLT		20
40	0501016545	FLAT WASHER		20
41	0503014182	SELF-ADJUSTING NUT		20



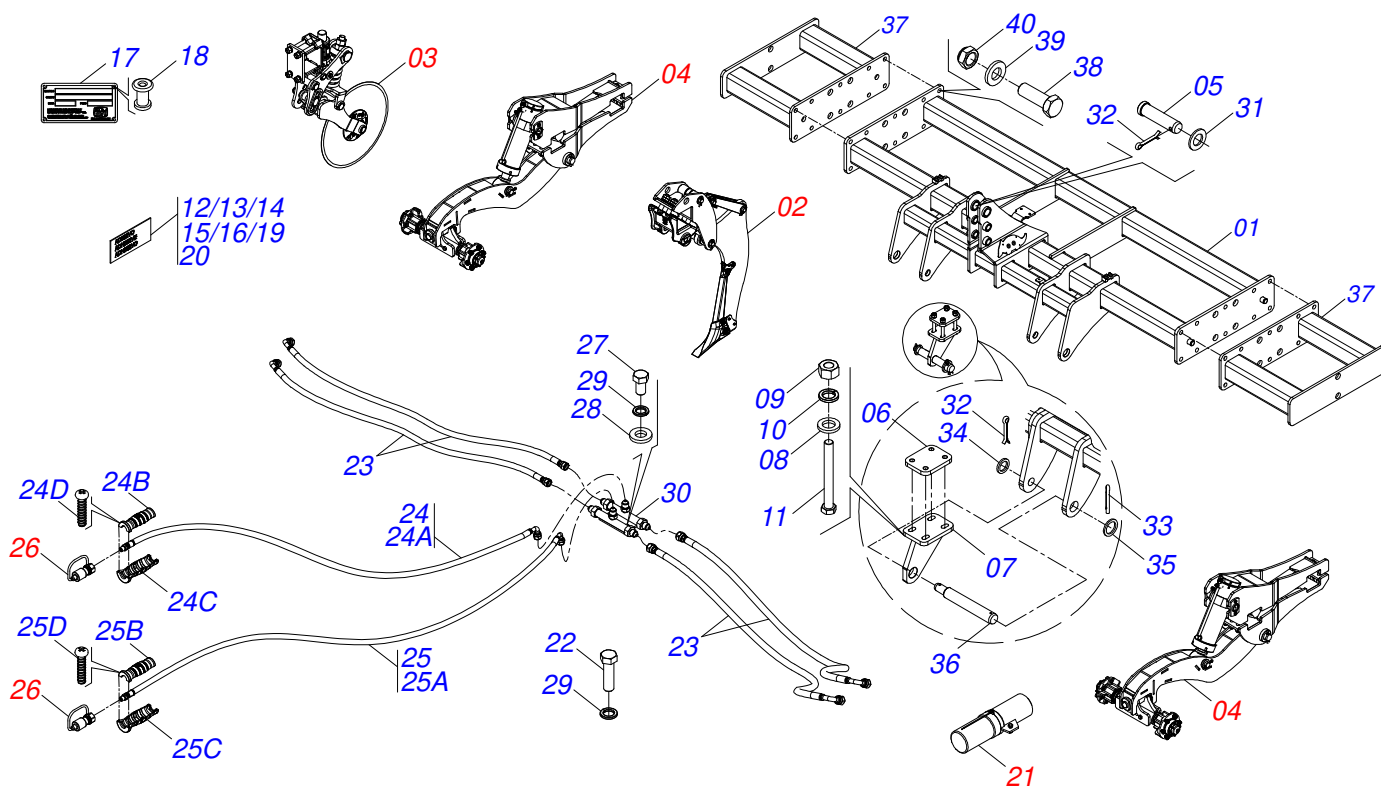
Item	Code	Description	See page	QT
01	0541062254	FRAME 4H		01
02	0531048155	FLAT SPRING SUBSOILER SHANK	19	06
03	0541053915	22 BLADE DISC ASSY	20	06
04	0551050816	FRONT DOUBLE WHEELS ASSEMBLY FOR 11L-15 TIRE (10 PLY)	25	02
05	0501514883	UPPER HITCH AXLE		01
06	0571016880	FIXER FLANGE ADJUSTABLE PLATE		02
07	0521065143	ADJUSTABLE FLANGE		02
08	0511015255	FLAT WASHER		08
09	0503010014	HEX NUT 3/4" ZN G.5 (HEAVY) UNC		08
10	0503010023	SPRING WASHER 3/4"		08
11	0503012729	3/4" X 6-3/4" BOLT		08
12	0503031942	MANUAL SEAL DECAL		01
13	0503031087	AUTO CONTROL APPROVED DECAL		01
14	0503031827	DAILY LUBRICATION AND RETIGHTENING DECAL		01
15	0503031428	ATTENTION READ MANUAL DECAL		01
16	0503033795	TATU LOGO DECAL		02
17	0503034003	61 X 118 SERIAL NUMBER TAG		01
18	0503010001	RIVET 3,2 X 5,5		04
19	0503037826	ADHESIVE LABEL ROMPTHOR 450 CLASSIC 500 X 100MM		02
20	0503031803	IMPORTANT DECAL		01
21	0551050846	MANUAL CANISTER ASSY		01
22	1902010477	UPPER CLAMP BODY		02
23	0503011135	BOLT 7/16" UNC X 1.1/2" C S G.5 ZN		02
24	0501081889	HOSE 3/8 X 1300 TR-TC		04
25	0521056919	3/8 X 4300 TC-TM HOSE BLACK / RED		01
25A	0501080446	3/8 X" 169" TC-TM HOSE ASSY		01
25B	0503034492	HYDRAULIC HOSE GRIP (BLACK)		01
25C	0503034495	HYDRAULIC HOSE GRIP (RED)		01
25D	0503018952	PLASTIC BOLT PH 2.5 X 10 ZB		06
26	0521052287	TC-TM HOSE ASSY		01

Item	Code	Description	See page	QT
26A	0501080446	3/8 X" 169" TC-TM HOSE ASSY		01
26B	0503034492	HYDRAULIC HOSE GRIP (BLACK)		01
26C	0503034494	HYDRAULIC HOSE GRIP (BLUE)		01
26D	0503018952	PLASTIC BOLT PH 2.5 X 10 ZB		06
27	0501053834	MALE QUICK COUPLER		02
28	0503010813	7/16" X 3/4" BOLT		02
29	0521014508	FLAT WASHER		02
30	0503010180	SPRING WASHER 7/16"		04
31	0501068706	DOUBLE CONNECTION		01
32	0591012501	FLAT WASHER 45,50 X 80 X 6,30		01
33	0503010534	3/8" X 2.1/2" SPLIT PIN		03
34	0503010073	3/8" X 3.1/2" SPLIT PIN		02
35	0501010679	FLAT WASHER		02
36	0511019776	FLAT WASHER		02
37	0501511943	LOWER HITCHING AXLE		02
38	0541062268	EXTENSION 1H		02
39	0501010276	BOLT		20
40	0501016545	FLAT WASHER		20
41	0503014182	SELF-ADJUSTING NUT		20



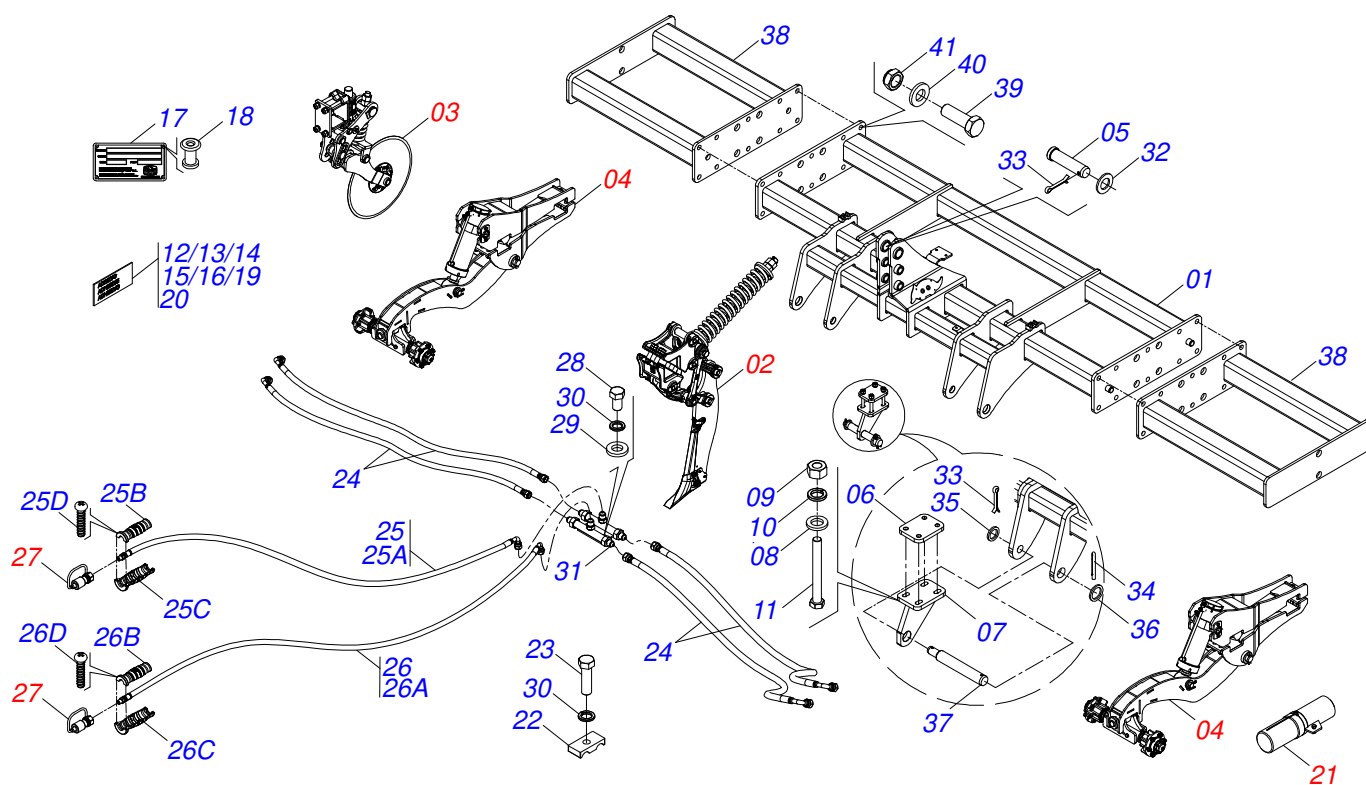
Item	Code	Description	See page	QT
01	0541062277	FRAME 5H		01
02	0531047928	SUBSOILER ROD	18	07
03	0541053915	22 BLADE DISC ASSY	20	07
04	0551050816	FRONT DOUBLE WHEELS ASSEMBLY FOR 11L-15 TIRE (10 PLY)	25	02
05	0501514883	UPPER HITCH AXLE		01
06	0571016880	FIXER FLANGE ADJUSTABLE PLATE		02
07	0521065143	ADJUSTABLE FLANGE		02
08	0511015255	FLAT WASHER		08
09	0503010014	HEX NUT 3/4" ZN G.5 (HEAVY) UNC		08
10	0503010023	SPRING WASHER 3/4"		08
11	0503012729	3/4" X 6-3/4" BOLT		08
12	0503031942	MANUAL SEAL DECAL		01
13	0503031087	AUTO CONTROL APPROVED DECAL		01
14	0503031827	DAILY LUBRICATION AND RETIGHTENING DECAL		01
15	0503031428	ATTENTION READ MANUAL DECAL		01
16	0503033795	TATU LOGO DECAL		02
17	0503034003	61 X 118 SERIAL NUMBER TAG		01
18	0503010001	RIVET 3,2 X 5,5		04
19	0503037826	ADHESIVE LABEL ROMPTHOR 450 CLASSIC 500 X 100MM		02
20	0503031803	IMPORTANT DECAL		01
21	0551050846	MANUAL CANISTER ASSY		01
22	0503011135	BOLT 7/16" UNC X 1.1/2" C S G.5 ZN		02
23	0501081889	HOSE 3/8 X 1300 TR-TC		04
24	0521056919	3/8 X 4300 TC-TM HOSE BLACK / RED		01
24A	0501080446	3/8 X" 169" TC-TM HOSE ASSY		01
24B	0503034492	HYDRAULIC HOSE GRIP (BLACK)		01
24C	0503034495	HYDRAULIC HOSE GRIP (RED)		01
24D	0503018952	PLASTIC BOLT PH 2.5 X 10 ZB		06
25	0521052287	TC-TM HOSE ASSY		01
25A	0501080446	3/8 X" 169" TC-TM HOSE ASSY		01

Item	Code	Description	See page	QT
25B	0503034492	HYDRAULIC HOSE GRIP (BLACK)		01
25C	0503034494	HYDRAULIC HOSE GRIP (BLUE)		01
25D	0503018952	PLASTIC BOLT PH 2.5 X 10 ZB		06
26	0501053834	MALE QUICK COUPLER		02
27	0503010813	7/16" X 3/4" BOLT		02
28	0521014508	FLAT WASHER		02
29	0503010180	SPRING WASHER 7/16"		04
30	0501068706	DOUBLE CONNECTION		01
31	0591012501	FLAT WASHER 45,50 X 80 X 6,30		01
32	0503010534	3/8" X 2.1/2" SPLIT PIN		03
33	0503010073	3/8" X 3.1/2" SPLIT PIN		02
34	0501010679	FLAT WASHER		02
35	0511019776	FLAT WASHER		02
36	0501511943	LOWER HITCHING AXLE		02
37	0541062268	EXTENSION 1H		02
38	0501010276	BOLT		20
39	0501016545	FLAT WASHER		20
40	0503014182	SELF-ADJUSTING NUT		20



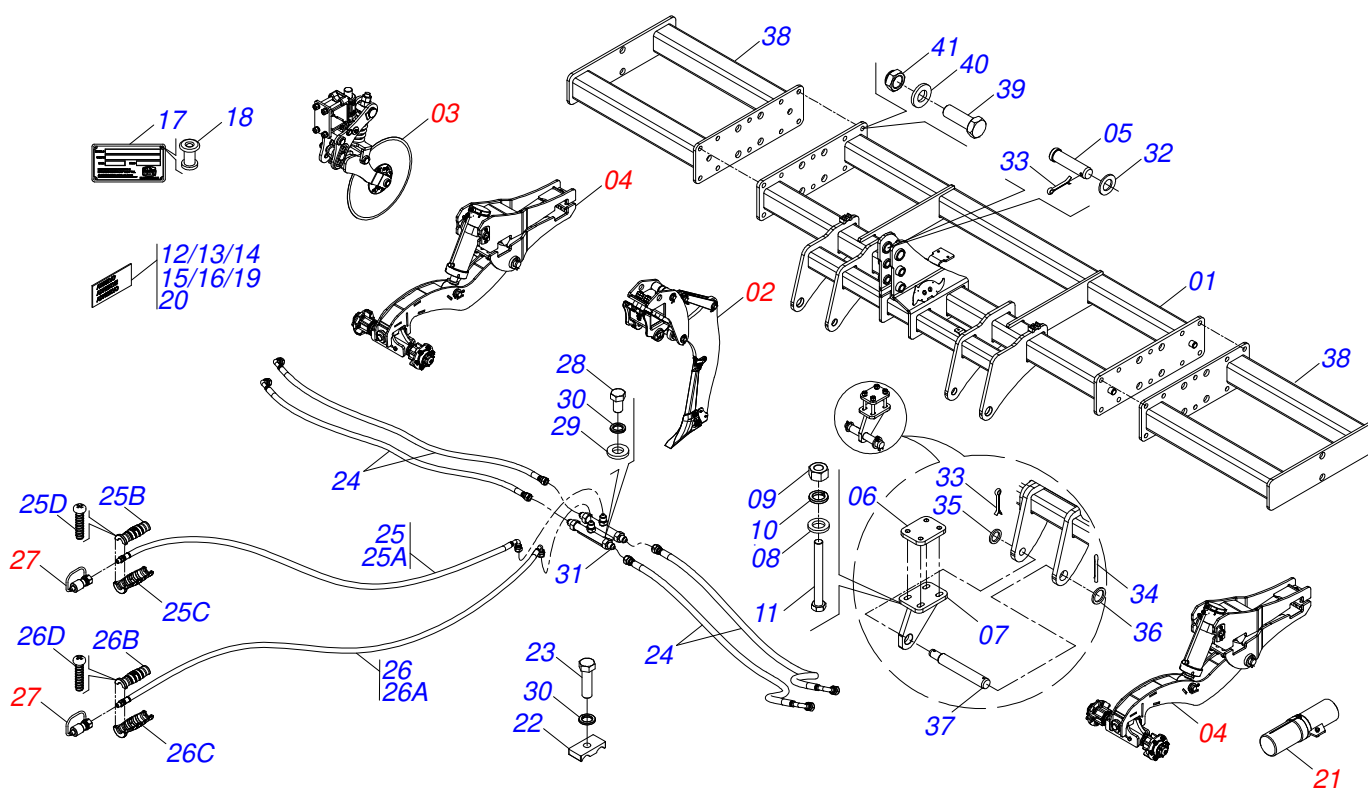
Item	Code	Description	See page	QT
01	0541062277	FRAME 5H		01
02	0531048155	FLAT SPRING SUBSOILER SHANK	19	07
03	0541053915	22 BLADE DISC ASSY	20	07
04	0551050816	FRONT DOUBLE WHEELS ASSEMBLY FOR 11L-15 TIRE (10 PLY)	25	02
05	0501514883	UPPER HITCH AXLE		01
06	0571016880	FIXER FLANGE ADJUSTABLE PLATE		02
07	0521065143	ADJUSTABLE FLANGE		02
08	0511015255	FLAT WASHER		08
09	0503010014	HEX NUT 3/4" ZN G.5 (HEAVY) UNC		08
10	0503010023	SPRING WASHER 3/4"		08
11	0503012729	3/4" X 6-3/4" BOLT		08
12	0503031942	MANUAL SEAL DECAL		01
13	0503031087	AUTO CONTROL APPROVED DECAL		01
14	0503031827	DAILY LUBRICATION AND RETIGHTENING DECAL		01
15	0503031428	ATTENTION READ MANUAL DECAL		01
16	0503033795	TATU LOGO DECAL		02
17	0503034003	61 X 118 SERIAL NUMBER TAG		01
18	0503010001	RIVET 3,2 X 5,5		04
19	0503037826	ADHESIVE LABEL ROMPTHOR 450 CLASSIC 500 X 100MM		02
20	0503031803	IMPORTANT DECAL		01
21	0551050846	MANUAL CANISTER ASSY		01
22	0503011135	BOLT 7/16" UNC X 1.1/2" C S G.5 ZN		02
23	0501081889	HOSE 3/8 X 1300 TR-TC		04
24	0521056919	3/8 X 4300 TC-TM HOSE BLACK / RED		01
24A	0501080446	3/8 X" 169" TC-TM HOSE ASSY		01
24B	0503034492	HYDRAULIC HOSE GRIP (BLACK)		01
24C	0503034495	HYDRAULIC HOSE GRIP (RED)		01
24D	0503018952	PLASTIC BOLT PH 2.5 X 10 ZB		06
25	0521052287	TC-TM HOSE ASSY		01
25A	0501080446	3/8 X" 169" TC-TM HOSE ASSY		01

Item	Code	Description	See page	QT
25B	0503034492	HYDRAULIC HOSE GRIP (BLACK)		01
25C	0503034494	HYDRAULIC HOSE GRIP (BLUE)		01
25D	0503018952	PLASTIC BOLT PH 2.5 X 10 ZB		06
26	0501053834	MALE QUICK COUPLER		02
27	0503010813	7/16" X 3/4" BOLT		02
28	0521014508	FLAT WASHER		02
29	0503010180	SPRING WASHER 7/16"		04
30	0501068706	DOUBLE CONNECTION		01
31	0591012501	FLAT WASHER 45,50 X 80 X 6,30		01
32	0503010534	3/8" X 2.1/2" SPLIT PIN		03
33	0503010073	3/8" X 3.1/2" SPLIT PIN		02
34	0501010679	FLAT WASHER		02
35	0511019776	FLAT WASHER		02
36	0501511943	LOWER HITCHING AXLE		02
37	0541062268	EXTENSION 1H		02
38	0501010276	BOLT		20
39	0501016545	FLAT WASHER		20
40	0503014182	SELF-ADJUSTING NUT		20



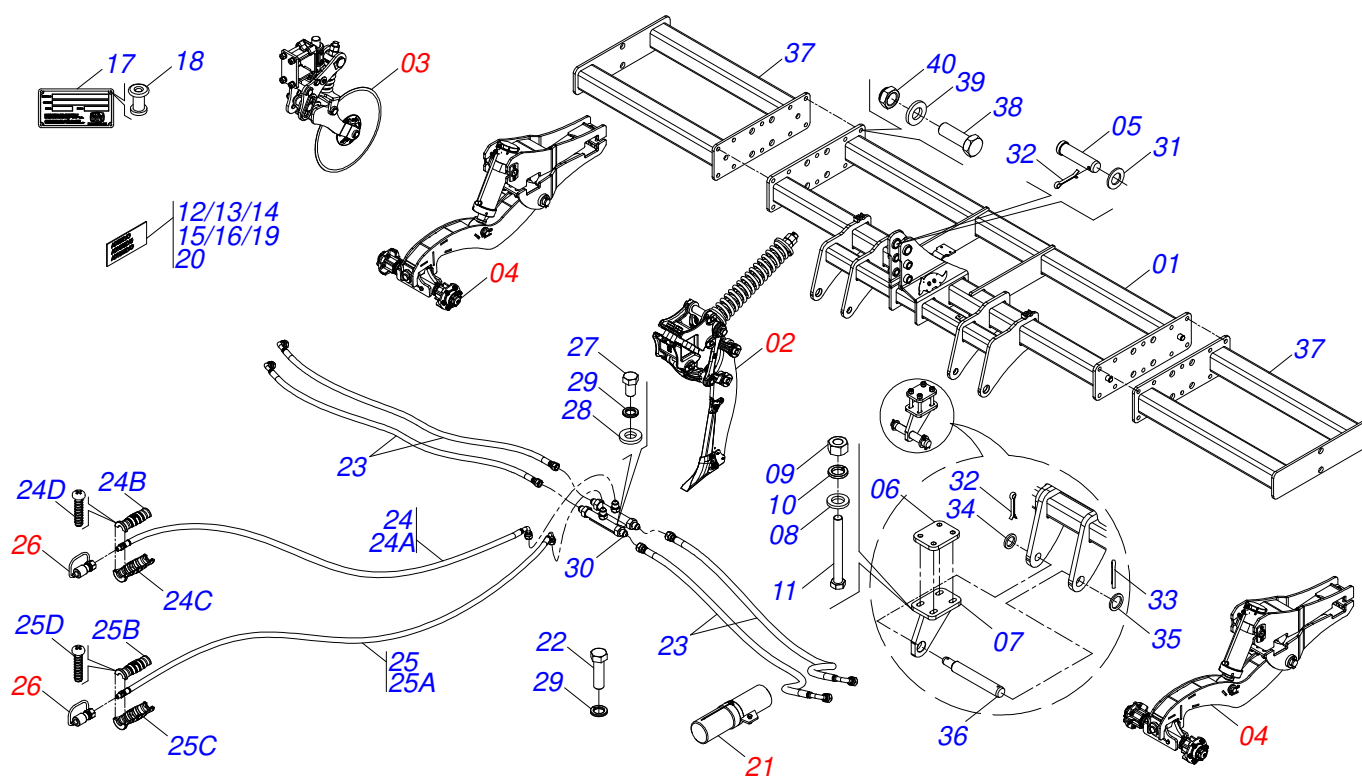
Item	Code	Description	See page	QT
01	0541062254	FRAME 4H		01
02	0531047928	SUBSOILER ROD	18	08
03	0541053915	22 BLADE DISC ASSY	20	08
04	0551050816	FRONT DOUBLE WHEELS ASSEMBLY FOR 11L-15 TIRE (10 PLY)	25	02
05	0501514883	UPPER HITCH AXLE		01
06	0571016880	FIXER FLANGE ADJUSTABLE PLATE		02
07	0521065143	ADJUSTABLE FLANGE		02
08	0511015255	FLAT WASHER		08
09	0503010014	HEX NUT 3/4" ZN G.5 (HEAVY) UNC		08
10	0503010023	SPRING WASHER 3/4"		08
11	0503012729	3/4" X 6-3/4" BOLT		08
12	0503031942	MANUAL SEAL DECAL		01
13	0503031087	AUTO CONTROL APPROVED DECAL		01
14	0503031827	DAILY LUBRICATION AND RETIGHTENING DECAL		01
15	0503031428	ATTENTION READ MANUAL DECAL		01
16	0503033795	TATU LOGO DECAL		02
17	0503034003	61 X 118 SERIAL NUMBER TAG		01
18	0503010001	RIVET 3,2 X 5,5		04
19	0503037826	ADHESIVE LABEL ROMPTHOR 450 CLASSIC 500 X 100MM		02
20	0503031803	IMPORTANT DECAL		01
21	0551050846	MANUAL CANISTER ASSY		01
22	1902010477	UPPER CLAMP BODY		02
23	0503011135	BOLT 7/16" UNC X 1.1/2" C S G.5 ZN		02
24	0501081889	HOSE 3/8 X 1300 TR-TC		04
25	0521056919	3/8 X 4300 TC-TM HOSE BLACK / RED		01
25A	0501080446	3/8 X 169" TC-TM HOSE ASSY		01
25B	0503034492	HYDRAULIC HOSE GRIP (BLACK)		01
25C	0503034495	HYDRAULIC HOSE GRIP (RED)		01
25D	0503018952	PLASTIC BOLT PH 2.5 X 10 ZB		06
26	0521052287	TC-TM HOSE ASSY		01

Item	Code	Description	See page	QT
26A	0501080446	3/8 X" 169" TC-TM HOSE ASSY		01
26B	0503034492	HYDRAULIC HOSE GRIP (BLACK)		01
26C	0503034494	HYDRAULIC HOSE GRIP (BLUE)		01
26D	0503018952	PLASTIC BOLT PH 2.5 X 10 ZB		06
27	0501053834	MALE QUICK COUPLER		02
28	0503010813	7/16" X 3/4" BOLT		02
29	0521014508	FLAT WASHER		02
30	0503010180	SPRING WASHER 7/16"		04
31	0501068706	DOUBLE CONNECTION		01
32	0591012501	FLAT WASHER 45,50 X 80 X 6,30		01
33	0503010534	3/8" X 2.1/2" SPLIT PIN		03
34	0503010073	3/8" X 3.1/2" SPLIT PIN		02
35	0501010679	FLAT WASHER		02
36	0511019776	FLAT WASHER		02
37	0501511943	LOWER HITCHING AXLE		02
38	0541062269	EXTENSION 2H		02
39	0501010276	BOLT		20
40	0501016545	FLAT WASHER		20
41	0503014182	SELF-ADJUSTING NUT		20



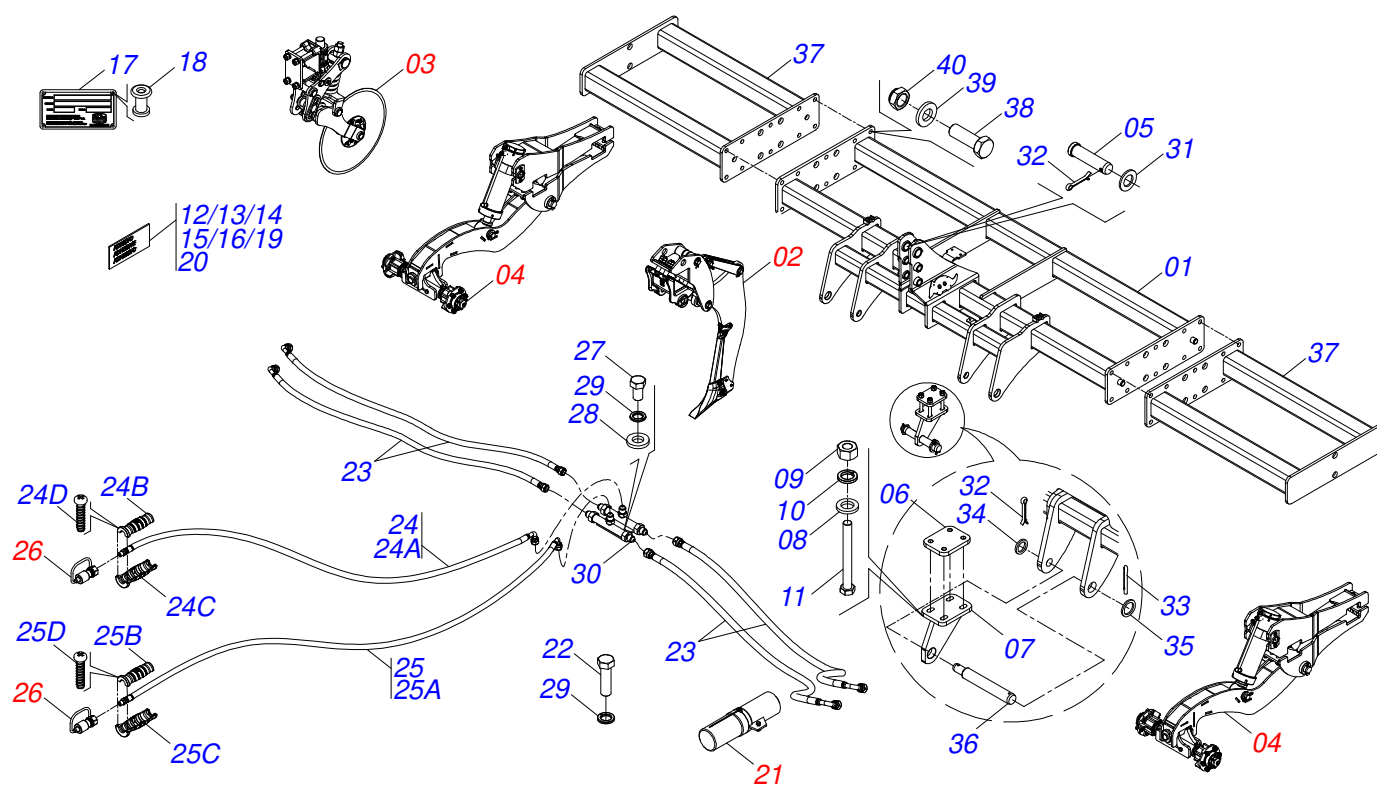
Item	Code	Description	See page	QT
01	0541062254	FRAME 4H		01
02	0531048155	FLAT SPRING SUBSOILER SHANK	19	08
03	0541053915	22 BLADE DISC ASSY	20	08
04	0551050816	FRONT DOUBLE WHEELS ASSEMBLY FOR 11L-15 TIRE (10 PLY)	25	02
05	0501514883	UPPER HITCH AXLE		01
06	0571016880	FIXER FLANGE ADJUSTABLE PLATE		02
07	0521065143	ADJUSTABLE FLANGE		02
08	0511015255	FLAT WASHER		08
09	0503010014	HEX NUT 3/4" ZN G.5 (HEAVY) UNC		08
10	0503010023	SPRING WASHER 3/4"		08
11	0503012729	3/4" X 6-3/4" BOLT		08
12	0503031942	MANUAL SEAL DECAL		01
13	0503031087	AUTO CONTROL APPROVED DECAL		01
14	0503031827	DAILY LUBRICATION AND RETIGHTENING DECAL		01
15	0503031428	ATTENTION READ MANUAL DECAL		01
16	0503033795	TATU LOGO DECAL		02
17	0503034003	61 X 118 SERIAL NUMBER TAG		01
18	0503010001	RIVET 3,2 X 5,5		04
19	0503037826	ADHESIVE LABEL ROMPTHOR 450 CLASSIC 500 X 100MM		02
20	0503031803	IMPORTANT DECAL		01
21	0551050846	MANUAL CANISTER ASSY		01
22	1902010477	UPPER CLAMP BODY		02
23	0503011135	BOLT 7/16" UNC X 1.1/2" C S G.5 ZN		02
24	0501081889	HOSE 3/8 X 1300 TR-TC		04
25	0521056919	3/8 X 4300 TC-TM HOSE BLACK / RED		01
25A	0501080446	3/8 X" 169" TC-TM HOSE ASSY		01
25B	0503034492	HYDRAULIC HOSE GRIP (BLACK)		01
25C	0503034495	HYDRAULIC HOSE GRIP (RED)		01
25D	0503018952	PLASTIC BOLT PH 2.5 X 10 ZB		06
26	0521052287	TC-TM HOSE ASSY		01

Item	Code	Description	See page	QT
26A	0501080446	3/8 X" 169" TC-TM HOSE ASSY		01
26B	0503034492	HYDRAULIC HOSE GRIP (BLACK)		01
26C	0503034494	HYDRAULIC HOSE GRIP (BLUE)		01
26D	0503018952	PLASTIC BOLT PH 2.5 X 10 ZB		06
27	0501053834	MALE QUICK COUPLER		02
28	0503010813	7/16" X 3/4" BOLT		02
29	0521014508	FLAT WASHER		02
30	0503010180	SPRING WASHER 7/16"		04
31	0501068706	DOUBLE CONNECTION		01
32	0591012501	FLAT WASHER 45,50 X 80 X 6,30		01
33	0503010534	3/8" X 2.1/2" SPLIT PIN		03
34	0503010073	3/8" X 3.1/2" SPLIT PIN		02
35	0501010679	FLAT WASHER		02
36	0511019776	FLAT WASHER		02
37	0501511943	LOWER HITCHING AXLE		02
38	0541062269	EXTENSION 2H		02
39	0501010276	BOLT		20
40	0501016545	FLAT WASHER		20
41	0503014182	SELF-ADJUSTING NUT		20



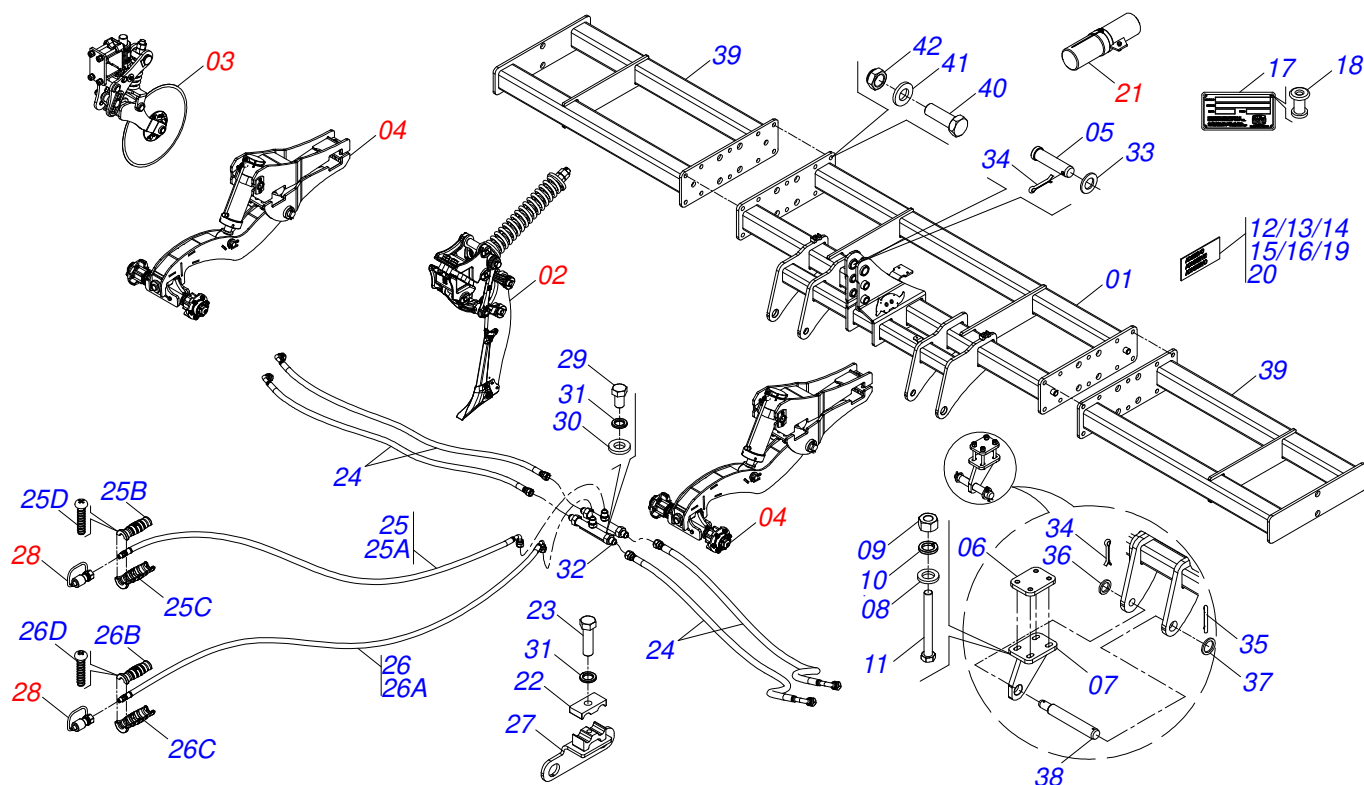
Item	Code	Description	See page	QT
01	0541062277	FRAME 5H		01
02	0531047928	SUBSOILER ROD	18	09
03	0541053915	22 BLADE DISC ASSY	20	09
04	0551050816	FRONT DOUBLE WHEELS ASSEMBLY FOR 11L-15 TIRE (10 PLY)	25	02
05	0501514883	UPPER HITCH AXLE		01
06	0571016880	FIXER FLANGE ADJUSTABLE PLATE		02
07	0521065143	ADJUSTABLE FLANGE		02
08	0511015255	FLAT WASHER		08
09	0503010014	HEX NUT 3/4" ZN G.5 (HEAVY) UNC		08
10	0503010023	SPRING WASHER 3/4"		08
11	0503012729	3/4" X 6-3/4" BOLT		08
12	0503031942	MANUAL SEAL DECAL		01
13	0503031087	AUTO CONTROL APPROVED DECAL		01
14	0503031827	DAILY LUBRICATION AND RETIGHTENING DECAL		01
15	0503031428	ATTENTION READ MANUAL DECAL		01
16	0503033795	TATU LOGO DECAL		02
17	0503034003	61 X 118 SERIAL NUMBER TAG		01
18	0503010001	RIVET 3,2 X 5,5		04
19	0503037826	ADHESIVE LABEL ROMPTHOR 450 CLASSIC 500 X 100MM		02
20	0503031803	IMPORTANT DECAL		01
21	0551050846	MANUAL CANISTER ASSY		01
22	0503011135	BOLT 7/16" UNC X 1.1/2" C S G.5 ZN		02
23	0501081889	HOSE 3/8 X 1300 TR-TC		04
24	0521056919	3/8 X 4300 TC-TM HOSE BLACK / RED		01
24A	0501080446	3/8 X" 169" TC-TM HOSE ASSY		01
24B	0503034492	HYDRAULIC HOSE GRIP (BLACK)		01
24C	0503034495	HYDRAULIC HOSE GRIP (RED)		01
24D	0503018952	PLASTIC BOLT PH 2.5 X 10 ZB		06
25	0521052287	TC-TM HOSE ASSY		01
25A	0501080446	3/8 X" 169" TC-TM HOSE ASSY		01

Item	Code	Description	See page	QT
25B	0503034492	HYDRAULIC HOSE GRIP (BLACK)		01
25C	0503034494	HYDRAULIC HOSE GRIP (BLUE)		01
25D	0503018952	PLASTIC BOLT PH 2.5 X 10 ZB		06
26	0501053834	MALE QUICK COUPLER		02
27	0503010813	7/16" X 3/4" BOLT		02
28	0521014508	FLAT WASHER		02
29	0503010180	SPRING WASHER 7/16"		04
30	0501068706	DOUBLE CONNECTION		01
31	0591012501	FLAT WASHER 45,50 X 80 X 6,30		01
32	0503010534	3/8" X 2.1/2" SPLIT PIN		03
33	0503010073	3/8" X 3.1/2" SPLIT PIN		02
34	0501010679	FLAT WASHER		02
35	0511019776	FLAT WASHER		02
36	0501511943	LOWER HITCHING AXLE		02
37	0541062270	EXTENSION 2H		02
38	0501010276	BOLT		20
39	0501016545	FLAT WASHER		20
40	0503014182	SELF-ADJUSTING NUT		20



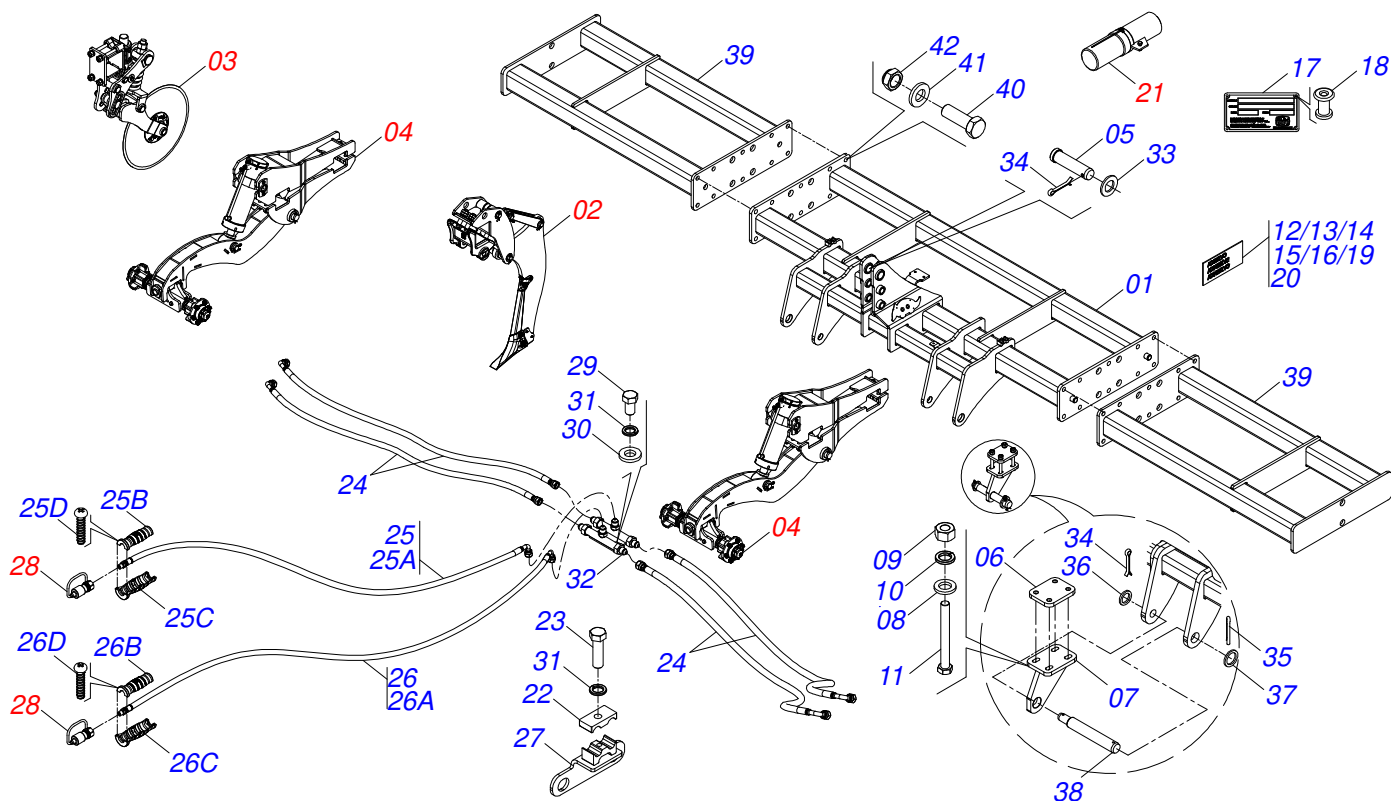
Item	Code	Description	See page	QT
01	0541062277	FRAME 5H		01
02	0531048155	FLAT SPRING SUBSOILER SHANK	19	09
03	0541053915	22 BLADE DISC ASSY	20	09
04	0551050816	FRONT DOUBLE WHEELS ASSEMBLY FOR 11L-15 TIRE (10 PLY)	25	02
05	0501514883	UPPER HITCH AXLE		01
06	0571016880	FIXER FLANGE ADJUSTABLE PLATE		02
07	0521065143	ADJUSTABLE FLANGE		02
08	0511015255	FLAT WASHER		08
09	0503010014	HEX NUT 3/4" ZN G.5 (HEAVY) UNC		08
10	0503010023	SPRING WASHER 3/4"		08
11	0503012729	3/4" X 6-3/4" BOLT		08
12	0503031942	MANUAL SEAL DECAL		01
13	0503031087	AUTO CONTROL APPROVED DECAL		01
14	0503031827	DAILY LUBRICATION AND RETIGHTENING DECAL		01
15	0503031428	ATTENTION READ MANUAL DECAL		01
16	0503033795	TATU LOGO DECAL		02
17	0503034003	61 X 118 SERIAL NUMBER TAG		01
18	0503010001	RIVET 3,2 X 5,5		04
19	0503037826	ADHESIVE LABEL ROMPTHOR 450 CLASSIC 500 X 100MM		02
20	0503031803	IMPORTANT DECAL		01
21	0551050846	MANUAL CANISTER ASSY		01
22	0503011135	BOLT 7/16" UNC X 1.1/2" C S G.5 ZN		02
23	0501081889	HOSE 3/8 X 1300 TR-TC		04
24	0521056919	3/8 X 4300 TC-TM HOSE BLACK / RED		01
24A	0501080446	3/8 X" 169" TC-TM HOSE ASSY		01
24B	0503034492	HYDRAULIC HOSE GRIP (BLACK)		01
24C	0503034495	HYDRAULIC HOSE GRIP (RED)		01
24D	0503018952	PLASTIC BOLT PH 2.5 X 10 ZB		06
25	0521052287	TC-TM HOSE ASSY		01
25A	0501080446	3/8 X" 169" TC-TM HOSE ASSY		01

Item	Code	Description	See page	QT
25B	0503034492	HYDRAULIC HOSE GRIP (BLACK)		01
25C	0503034494	HYDRAULIC HOSE GRIP (BLUE)		01
25D	0503018952	PLASTIC BOLT PH 2.5 X 10 ZB		06
26	0501053834	MALE QUICK COUPLER		02
27	0503010813	7/16" X 3/4" BOLT		02
28	0521014508	FLAT WASHER		02
29	0503010180	SPRING WASHER 7/16"		04
30	0501068706	DOUBLE CONNECTION		01
31	0591012501	FLAT WASHER 45,50 X 80 X 6,30		01
32	0503010534	3/8" X 2.1/2" SPLIT PIN		03
33	0503010073	3/8" X 3.1/2" SPLIT PIN		02
34	0501010679	FLAT WASHER		02
35	0511019776	FLAT WASHER		02
36	0501511943	LOWER HITCHING AXLE		02
37	0541062270	EXTENSION 2H		02
38	0501010276	BOLT		20
39	0501016545	FLAT WASHER		20
40	0503014182	SELF-ADJUSTING NUT		20



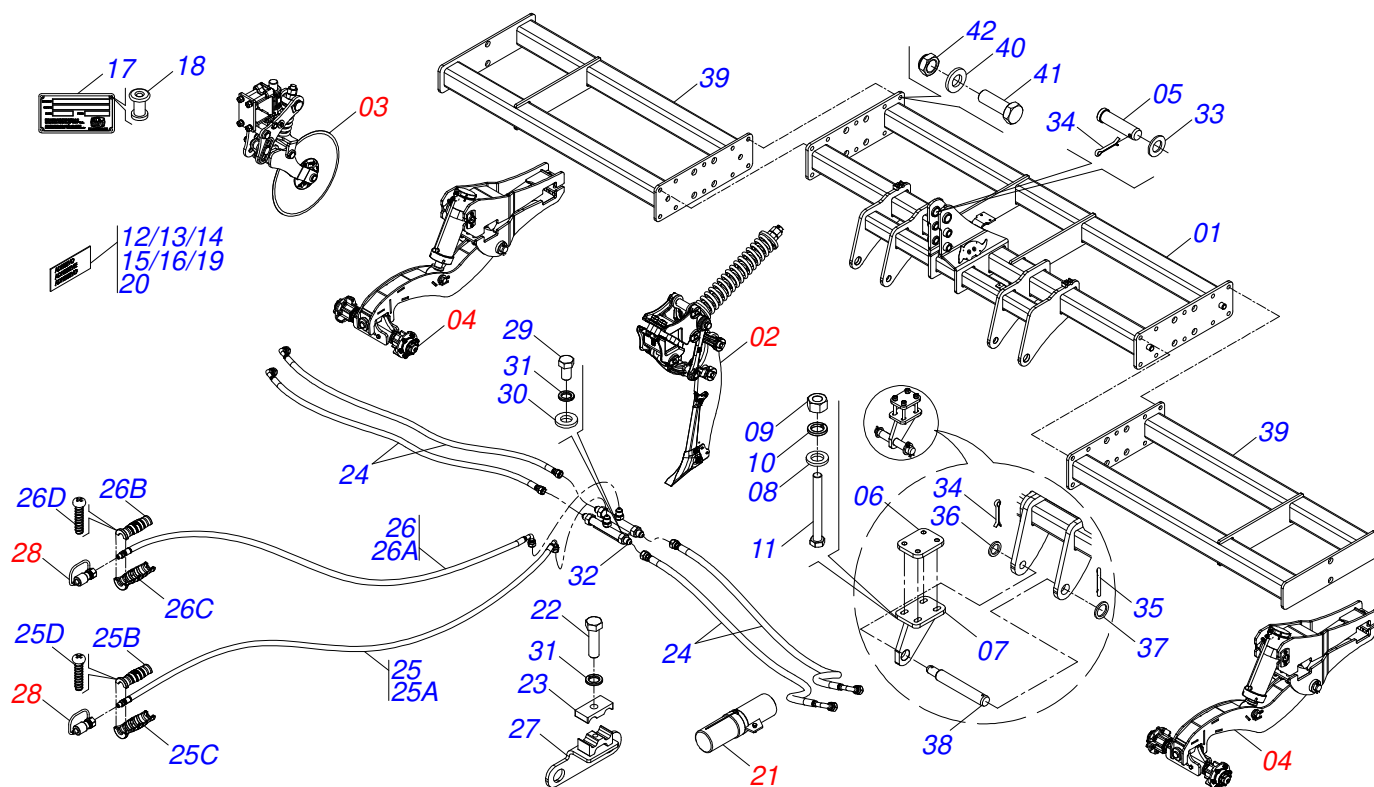
Item	Code	Description	See page	QT
01	0541062254	FRAME 4H		01
02	0531047928	SUBSOILER ROD	18	10
03	0541053915	22 BLADE DISC ASSY	20	10
04	0551050816	FRONT DOUBLE WHEELS ASSEMBLY FOR 11L-15 TIRE (10 PLY)	25	02
05	0501514883	UPPER HITCH AXLE		01
06	0571016880	FIXER FLANGE ADJUSTABLE PLATE		02
07	0521065143	ADJUSTABLE FLANGE		02
08	0511015255	FLAT WASHER		08
09	0503010014	HEX NUT 3/4" ZN G.5 (HEAVY) UNC		08
10	0503010023	SPRING WASHER 3/4"		08
11	0503012729	3/4" X 6-3/4" BOLT		08
12	0503031942	MANUAL SEAL DECAL		01
13	0503031087	AUTO CONTROL APPROVED DECAL		01
14	0503031827	DAILY LUBRICATION AND RETIGHTENING DECAL		01
15	0503031428	ATTENTION READ MANUAL DECAL		01
16	0503033795	TATU LOGO DECAL		02
17	0503034003	61 X 118 SERIAL NUMBER TAG		01
18	0503010001	RIVET 3,2 X 5,5		04
19	0503037826	ADHESIVE LABEL ROMPTHOR 450 CLASSIC 500 X 100MM		02
20	0503031803	IMPORTANT DECAL		01
21	0551050846	MANUAL CANISTER ASSY		01
22	1902010477	UPPER CLAMP BODY		02
23	0503011135	BOLT 7/16" UNC X 1.1/2" C S G.5 ZN		02
24	0501081992	3/8" X 76.77" TR-TC HOSE		04
25	0521056919	3/8 X 4300 TC-TM HOSE BLACK / RED		01
25A	0501080446	3/8 X" 169" TC-TM HOSE ASSY		01
25B	0503034492	HYDRAULIC HOSE GRIP (BLACK)		01
25C	0503034495	HYDRAULIC HOSE GRIP (RED)		01
25D	0503018952	PLASTIC BOLT PH 2.5 X 10 ZB		06
26	0521052287	TC-TM HOSE ASSY		01

Item	Code	Description	See page	QT
26A	0501080446	3/8 X" 169" TC-TM HOSE ASSY		01
26B	0503034492	HYDRAULIC HOSE GRIP (BLACK)		01
26C	0503034494	HYDRAULIC HOSE GRIP (BLUE)		01
26D	0503018952	PLASTIC BOLT PH 2.5 X 10 ZB		06
27	0541062274	MOBILE SUPPORT		02
28	0501053834	MALE QUICK COUPLER		02
29	0503010813	7/16" X 3/4" BOLT		02
30	0521014508	FLAT WASHER		02
31	0503010180	SPRING WASHER 7/16"		04
32	0501068706	DOUBLE CONNECTION		01
33	0591012501	FLAT WASHER 45,50 X 80 X 6,30		01
34	0503010534	3/8" X 2.1/2" SPLIT PIN		03
35	0503010073	3/8" X 3.1/2" SPLIT PIN		02
36	0501010679	FLAT WASHER		02
37	0511019776	FLAT WASHER		02
38	0501511943	LOWER HITCHING AXLE		02
39	0541062271	EXTENSION 3H		02
40	0501010276	BOLT		20
41	0501016545	FLAT WASHER		20
42	0503014182	SELF-ADJUSTING NUT		20



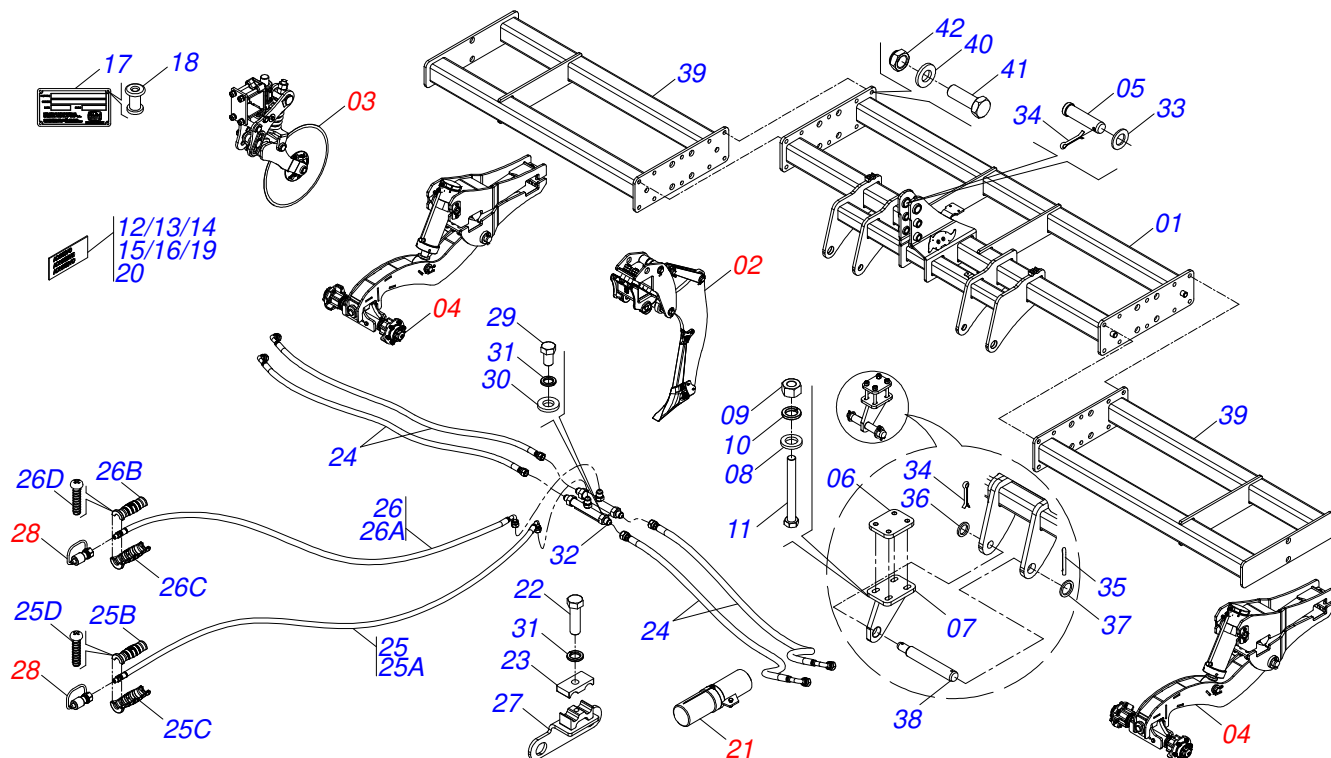
Item	Code	Description	See page	QT
01	0541062254	FRAME 4H		01
02	0531048155	FLAT SPRING SUBSOILER SHANK	19	10
03	0541053915	22 BLADE DISC ASSY	20	10
04	0551050816	FRONT DOUBLE WHEELS ASSEMBLY FOR 11L-15 TIRE (10 PLY)	25	02
05	0501514883	UPPER HITCH AXLE		01
06	0571016880	FIXER FLANGE ADJUSTABLE PLATE		02
07	0521065143	ADJUSTABLE FLANGE		02
08	0511015255	FLAT WASHER		08
09	0503010014	HEX NUT 3/4" ZN G.5 (HEAVY) UNC		08
10	0503010023	SPRING WASHER 3/4"		08
11	0503012729	3/4" X 6-3/4" BOLT		08
12	0503031942	MANUAL SEAL DECAL		01
13	0503031087	AUTO CONTROL APPROVED DECAL		01
14	0503031827	DAILY LUBRICATION AND RETIGHTENING DECAL		01
15	0503031428	ATTENTION READ MANUAL DECAL		01
16	0503033795	TATU LOGO DECAL		02
17	0503034003	61 X 118 SERIAL NUMBER TAG		01
18	0503010001	RIVET 3,2 X 5,5		04
19	0503037826	ADHESIVE LABEL ROMPTHOR 450 CLASSIC 500 X 100MM		02
20	0503031803	IMPORTANT DECAL		01
21	0551050846	MANUAL CANISTER ASSY		01
22	1902010477	UPPER CLAMP BODY		02
23	0503011135	BOLT 7/16" UNC X 1.1/2" C S G.5 ZN		02
24	0501081992	3/8" X 76.77" TR-TC HOSE		04
25	0521056919	3/8 X 4300 TC-TM HOSE BLACK / RED		01
25A	0501080446	3/8 X" 169" TC-TM HOSE ASSY		01
25B	0503034492	HYDRAULIC HOSE GRIP (BLACK)		01
25C	0503034495	HYDRAULIC HOSE GRIP (RED)		01
25D	0503018952	PLASTIC BOLT PH 2.5 X 10 ZB		06
26	0521052287	TC-TM HOSE ASSY		01

Item	Code	Description	See page	QT
26A	0501080446	3/8 X" 169" TC-TM HOSE ASSY		01
26B	0503034492	HYDRAULIC HOSE GRIP (BLACK)		01
26C	0503034494	HYDRAULIC HOSE GRIP (BLUE)		01
26D	0503018952	PLASTIC BOLT PH 2.5 X 10 ZB		06
27	0541062274	MOBILE SUPPORT		02
28	0501053834	MALE QUICK COUPLER		02
29	0503010813	7/16" X 3/4" BOLT		02
30	0521014508	FLAT WASHER		02
31	0503010180	SPRING WASHER 7/16"		04
32	0501068706	DOUBLE CONNECTION		01
33	0591012501	FLAT WASHER 45,50 X 80 X 6,30		01
34	0503010534	3/8" X 2.1/2" SPLIT PIN		03
35	0503010073	3/8" X 3.1/2" SPLIT PIN		02
36	0501010679	FLAT WASHER		02
37	0511019776	FLAT WASHER		02
38	0501511943	LOWER HITCHING AXLE		02
39	0541062271	EXTENSION 3H		02
40	0501010276	BOLT		20
41	0501016545	FLAT WASHER		20
42	0503014182	SELF-ADJUSTING NUT		20



Item	Code	Description	See page	QT
01	0541062277	FRAME 5H		01
02	0531047928	SUBSOILER ROD	18	11
03	0541053915	22 BLADE DISC ASSY	20	11
04	0551050816	FRONT DOUBLE WHEELS ASSEMBLY FOR 11L-15 TIRE (10 PLY)	25	02
05	0501514883	UPPER HITCH AXLE		01
06	0571016880	FIXER FLANGE ADJUSTABLE PLATE		02
07	0521065143	ADJUSTABLE FLANGE		02
08	0511015255	FLAT WASHER		08
09	0503010014	HEX NUT 3/4" ZN G.5 (HEAVY) UNC		08
10	0503010023	SPRING WASHER 3/4"		08
11	0503012729	3/4" X 6-3/4" BOLT		08
12	0503031942	MANUAL SEAL DECAL		01
13	0503031087	AUTO CONTROL APPROVED DECAL		01
14	0503031827	DAILY LUBRICATION AND RETIGHTENING DECAL		01
15	0503031428	ATTENTION READ MANUAL DECAL		01
16	0503033795	TATU LOGO DECAL		02
17	0503034003	61 X 118 SERIAL NUMBER TAG		01
18	0503010001	RIVET 3,2 X 5,5		04
19	0503037826	ADHESIVE LABEL ROMPTHOR 450 CLASSIC 500 X 100MM		02
20	0503031803	IMPORTANT DECAL		01
21	0551050846	MANUAL CANISTER ASSY		01
22	0503011135	BOLT 7/16" UNC X 1.1/2" C S G.5 ZN		02
23	1902010477	UPPER CLAMP BODY		02
24	0501080450	3/8" X 87" TR-TC HOSE		04
25	0521056919	3/8 X 4300 TC-TM HOSE BLACK / RED		01
25A	0501080446	3/8 X" 169" TC-TM HOSE ASSY		01
25B	0503034492	HYDRAULIC HOSE GRIP (BLACK)		01
25C	0503034495	HYDRAULIC HOSE GRIP (RED)		01
25D	0503018952	PLASTIC BOLT PH 2.5 X 10 ZB		06
26	0521052287	TC-TM HOSE ASSY		01

Item	Code	Description	See page	QT
26A	0501080446	3/8 X" 169" TC-TM HOSE ASSY		01
26B	0503034492	HYDRAULIC HOSE GRIP (BLACK)		01
26C	0503034494	HYDRAULIC HOSE GRIP (BLUE)		01
26D	0503018952	PLASTIC BOLT PH 2.5 X 10 ZB		06
27	0541062274	MOBILE SUPPORT		02
28	0501053834	MALE QUICK COUPLER		02
29	0503010813	7/16" X 3/4" BOLT		02
30	0521014508	FLAT WASHER		02
31	0503010180	SPRING WASHER 7/16"		04
32	0501068706	DOUBLE CONNECTION		01
33	0591012501	FLAT WASHER 45,50 X 80 X 6,30		01
34	0503010534	3/8" X 2.1/2" SPLIT PIN		03
35	0503010073	3/8" X 3.1/2" SPLIT PIN		02
36	0501010679	FLAT WASHER		02
37	0511019776	FLAT WASHER		02
38	0501511943	LOWER HITCHING AXLE		02
39	0541062272	EXTENSION 3H		02
40	0501016545	FLAT WASHER		20
41	0501010276	BOLT		20
42	0503014182	SELF-ADJUSTING NUT		20

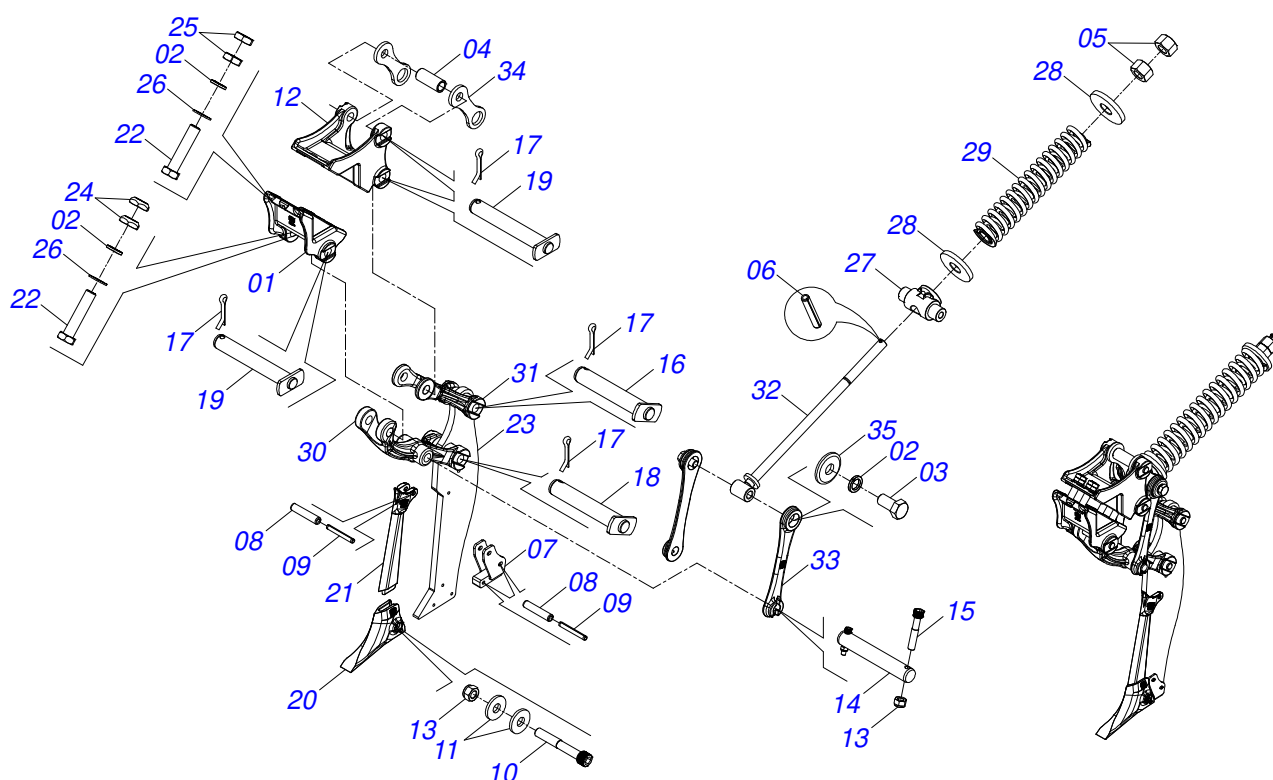


Item	Code	Description	See page	QT
01	0541062277	FRAME 5H		01
02	0531048155	FLAT SPRING SUBSOILER SHANK	19	11
03	0541053915	22 BLADE DISC ASSY	20	11
04	0551050816	FRONT DOUBLE WHEELS ASSEMBLY FOR 11L-15 TIRE (10 PLY)	25	02
05	0501514883	UPPER HITCH AXLE		01
06	0571016880	FIXER FLANGE ADJUSTABLE PLATE		02
07	0521065143	ADJUSTABLE FLANGE		02
08	0511015255	FLAT WASHER		08
09	0503010014	HEX NUT 3/4" ZN G.5 (HEAVY) UNC		08
10	0503010023	SPRING WASHER 3/4"		08
11	0503012729	3/4" X 6-3/4" BOLT		08
12	0503031942	MANUAL SEAL DECAL		01
13	0503031087	AUTO CONTROL APPROVED DECAL		01
14	0503031827	DAILY LUBRICATION AND RETIGHTENING DECAL		01
15	0503031428	ATTENTION READ MANUAL DECAL		01
16	0503033795	TATU LOGO DECAL		02
17	0503034003	61 X 118 SERIAL NUMBER TAG		01
18	0503010001	RIVET 3,2 X 5,5		04
19	0503037826	ADHESIVE LABEL ROMPTHOR 450 CLASSIC 500 X 100MM		02
20	0503031803	IMPORTANT DECAL		01
21	0551050846	MANUAL CANISTER ASSY		01
22	0503011135	BOLT 7/16" UNC X 1.1/2" C S G.5 ZN		02
23	1902010477	UPPER CLAMP BODY		02
24	0501080450	3/8" X 87" TR-TC HOSE		04
25	0521056919	3/8 X 4300 TC-TM HOSE BLACK / RED		01
25A	0501080446	3/8 X" 169" TC-TM HOSE ASSY		01
25B	0503034492	HYDRAULIC HOSE GRIP (BLACK)		01
25C	0503034495	HYDRAULIC HOSE GRIP (RED)		01
25D	0503018952	PLASTIC BOLT PH 2.5 X 10 ZB		06
26	0521052287	TC-TM HOSE ASSY		01

Item	Code	Description	See page	QT
26A	0501080446	3/8 X" 169" TC-TM HOSE ASSY		01
26B	0503034492	HYDRAULIC HOSE GRIP (BLACK)		01
26C	0503034494	HYDRAULIC HOSE GRIP (BLUE)		01
26D	0503018952	PLASTIC BOLT PH 2.5 X 10 ZB		06
27	0541062274	MOBILE SUPPORT		02
28	0501053834	MALE QUICK COUPLER		02
29	0503010813	7/16" X 3/4" BOLT		02
30	0521014508	FLAT WASHER		02
31	0503010180	SPRING WASHER 7/16"		04
32	0501068706	DOUBLE CONNECTION		01
33	0591012501	FLAT WASHER 45,50 X 80 X 6,30		01
34	0503010534	3/8" X 2.1/2" SPLIT PIN		03
35	0503010073	3/8" X 3.1/2" SPLIT PIN		02
36	0501010679	FLAT WASHER		02
37	0511019776	FLAT WASHER		02
38	0501511943	LOWER HITCHING AXLE		02
39	0541062272	EXTENSION 3H		02
40	0501016545	FLAT WASHER		20
41	0501010276	BOLT		20
42	0503014182	SELF-ADJUSTING NUT		20

**SUBSOILER ROD**

0531047928

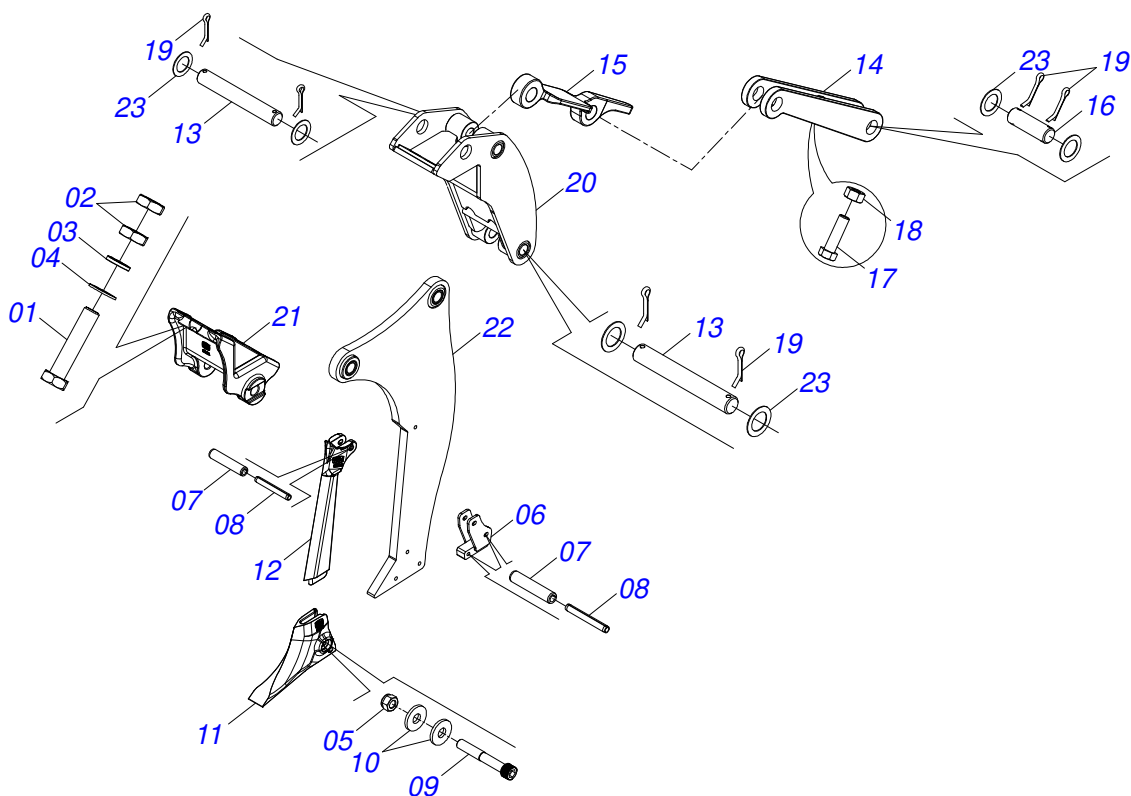


Item	Code	Description	See page	QT
01	0502013192	LOWER ROD SUPPORT		01
02	0503010012	SPRING WASHER 1"		06
03	0503010953	BOLT 1 UNC X 2 C S G.5 ZN		02
04	0501315366	ROD SLEEVE		01
05	0501010110	1.1/2" NC 6FPP 2.3/8" HEXAGONAL ZN NUT		02
06	0503010361	SPRING PIN		01
07	0531066358	ROD TIP LOCK		01
08	0503011265	10MM X 50MM SPRING PIN		04
09	0503010775	SPRING PIN		04
10	0513011679	BOLT 3/8 UNC 2.1/2 CCS I 12.9		01
11	0501010984	FLAT WASHER 10.50 X 27 X 3.00		02
12	0502013191	UPPER ROD SUPPORT		01
13	0503013357	SELF-ADJUSTING NUT 3/8"		03
14	0501510728	1.1/4" X 201 SHAFT		01
15	0503011094	BOLT 3/8 UNC X 2" C C S I 12.9		02
16	0541060975	173 COUPLING SHAFT		01
17	0503012215	5/16" X 2.1/2" SPLIT PIN		05
18	0541061007	COUPLING SHAFT		01
19	0541061010	COUPLING SHAFT		03
20	1902070089	SUBSOILER TIP		01
21	1902070090	SUPERIOR KNIFE		01
22	0501011547	1" X 4-1/2" BOLT		04
23	0531067633	SUBSOILING ROD		01
24	011218	NUT		02
25	0503013635	NUT 1.5/8"		06
26	0501011445	FLAT WASHER		04
27	0501510323	BUSHING		01
28	0501411500	SPRING GUIDE WASHER		02
29	0503064577	ROD SPRING ASSY WITH AUTOMATIC RESET		01
30	0502013193	LOWER ARM PANTOGRAPH		01
31	0502013195	UPPER ARM PANTOGRAPH		01
32	0531068423	SPRING GUIDE		01

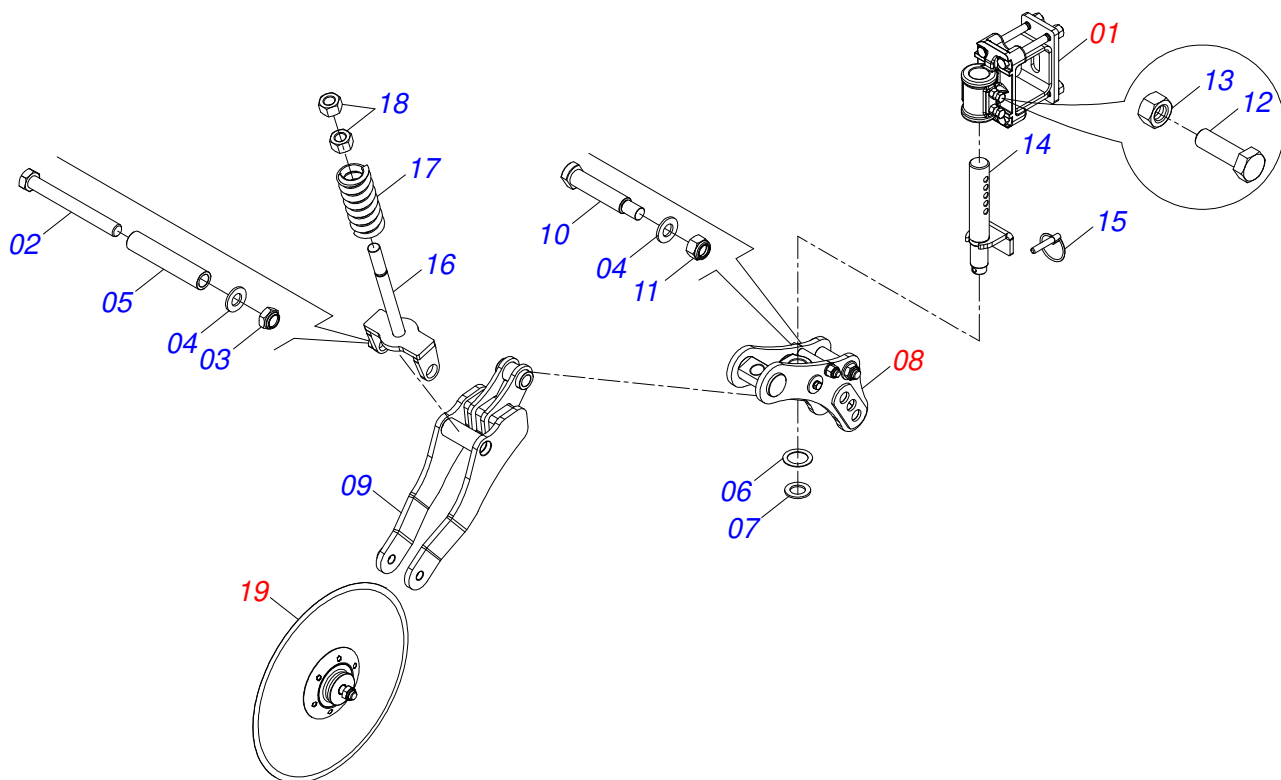
## SUBSOILER ROD

0531047928

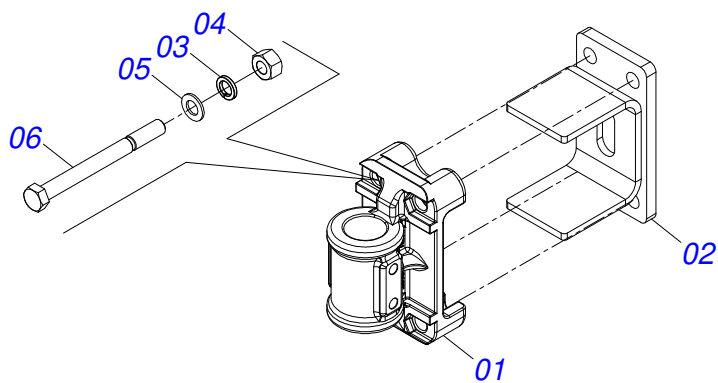
Item	Code	Description	See page	QT
33	0502013194	ARTICULATION ARM LEVER		02
34	0501315363	SPRING GUIDE JOINT		02
35	0521014196	FLAT WASHER		02



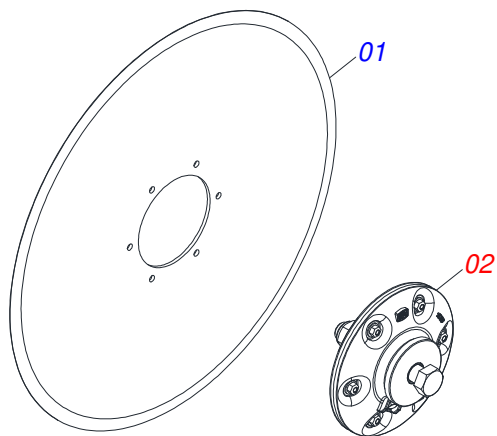
Item	Code	Description	See page	QT
01	0501011547	1" X 4-1/2" BOLT		04
02	0503013635	NUT 1.5/8"		08
03	0503010012	SPRING WASHER 1"		04
04	0501011445	FLAT WASHER		04
05	0503013357	SELF-ADJUSTING NUT 3/8"		01
06	0531066358	ROD TIP LOCK		01
07	0503011265	10MM X 50MM SPRING PIN		04
08	0503010775	SPRING PIN		04
09	0513011679	BOLT 3/8 UNC 2.1/2 CCS I 12.9		01
10	0501010984	FLAT WASHER 10.50 X 27 X 3.00		02
11	1902070089	SUBSOILER TIP		01
12	1902070090	SUPERIOR KNIFE		01
13	0521013024	28,50 X 184 AXLE		02
14	0502011164	SUPPORT SPRING		01
15	0521011631	AUTOMATIC RESET		01
16	0511015689	1.1" X 3.5" COUPLING SHAFT		02
17	0503011135	BOLT 7/16" UNC X 1.1/2" C S G.5 ZN		01
18	0503010244	7/16" NUT		01
19	0503010571	SPLIT PIN 1/4" X 1.1/2"		08
20	0541062316	MOUNTING BRACKET		01
21	1902013192	LOWER ROD SUPPORT		01
22	0501111437	FLAT SPRING SHANK		01
23	0501019435	32 X 50 X 1.5 FLAT WASHER		08



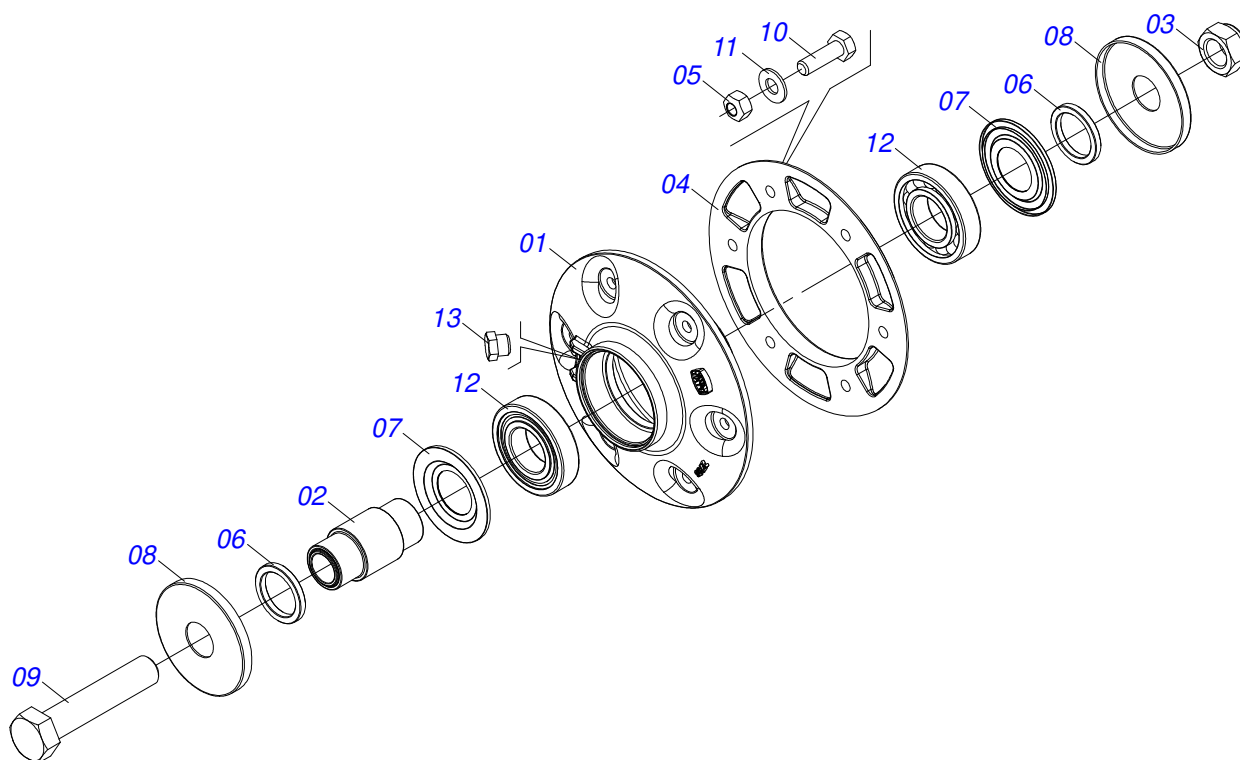
Item	Code	Description	See page	QT
01	0541053916	DISC BLADE SUPPORT	21	01
02	0501010064	BOLT 1" UNC X 9 CS G.5 ZN		01
03	0503014182	SELF-ADJUSTING NUT		01
04	0511015994	FLAT WASHER		02
05	0501418487	SLEEVE		01
06	0521015342	WASHER SPACER		01
07	0501012916	FLAT WASHER 40 X 66 X 4,75 ZN		01
08	0551050515	COMPLETE UPPER ARM ASSEMBLY	24	01
09	0541062057	BALDE DISC LOWER SUPPORT		01
10	0501514232	ARTICULATION PIN		01
11	0503010063	1" SELF-ALIGNING NUT		01
12	0503019116	BOLT 5/8 UNC X 2.1/4 C S RT PC G.5 ZN		02
13	0503010013	HEX NUT 5/8 UNC G.5 ZN		02
14	0541060307	AXLE WITH BEATER		01
15	0503034319	LOCK PIN		01
16	0541060311	COULTER BLADE SPRING FORK		01
17	0503030541	3.4" X 8.0" X 0.8" SPRING		01
18	0501010087	1.1/4" NUT		02
19	0541057300	COULTER BLADE BOX	22	01



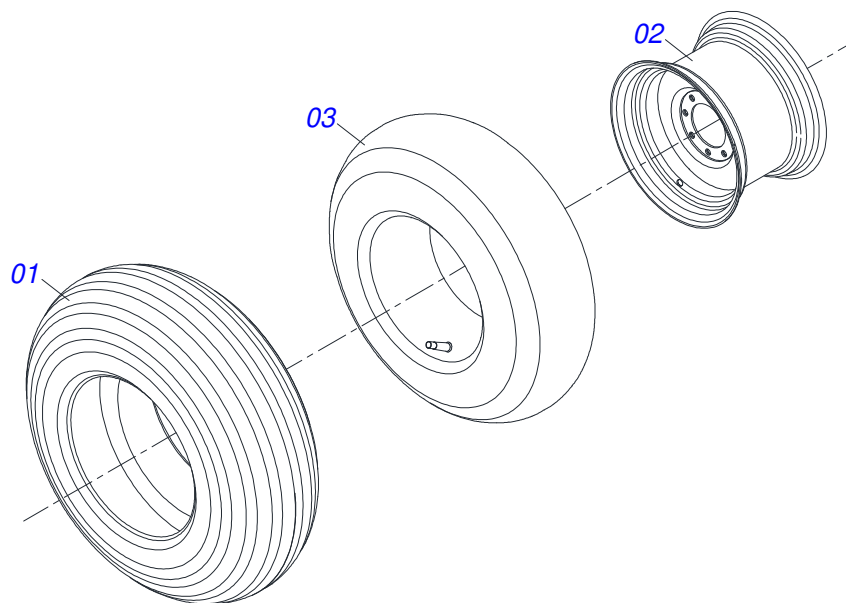
Item	Code	Description	See page	QT
01	0502013197	BODY SUPPORT		01
02	0541061868	DISC CLOSING SUPPORT		01
03	0503010023	SPRING WASHER 3/4"		04
04	0503010014	HEX NUT 3/4" ZN G.5 (HEAVY) UNC		04
05	0511017305	FLAT WASHER		04
06	0511016281	3/4" X 8" BOLT		04



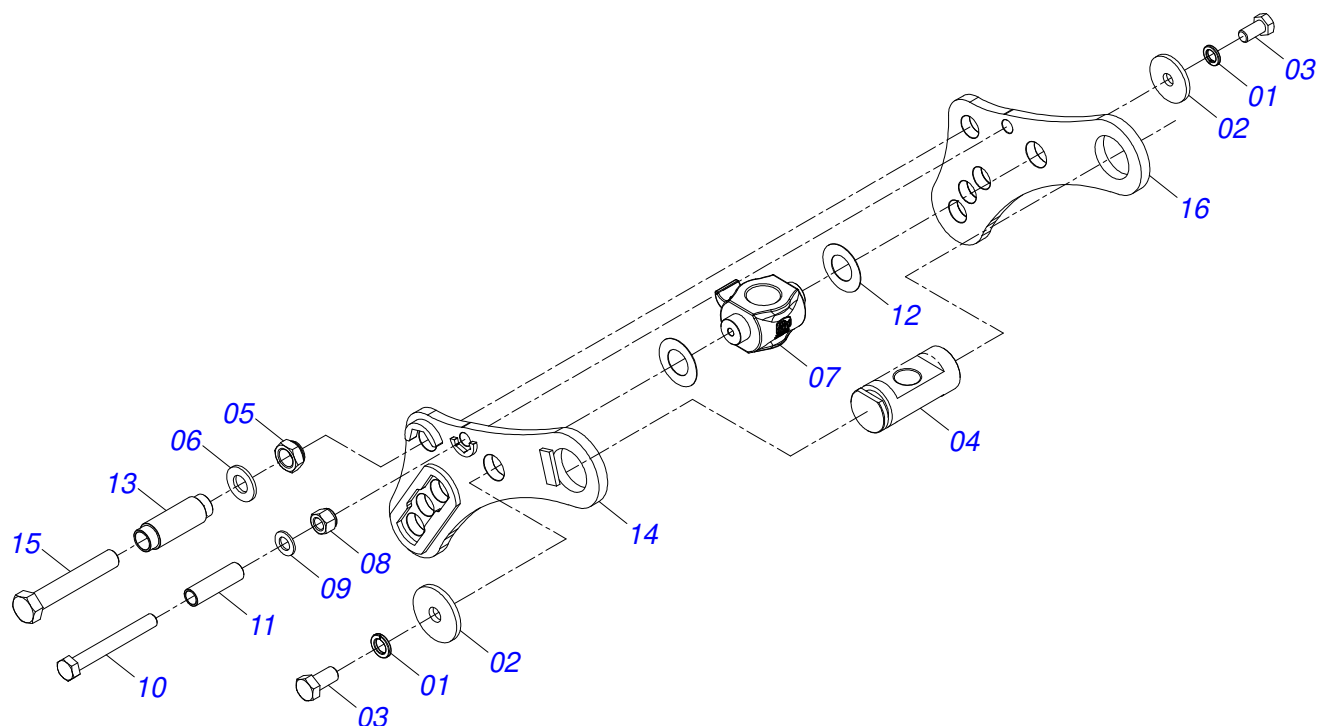
Item	Code	Description	See page	QT
01	0603029523	22" X 0.2" FLAT PLAIN DISC		01
02	0511056909	DISC BLADE HUB WITHOUT DISC	23	01



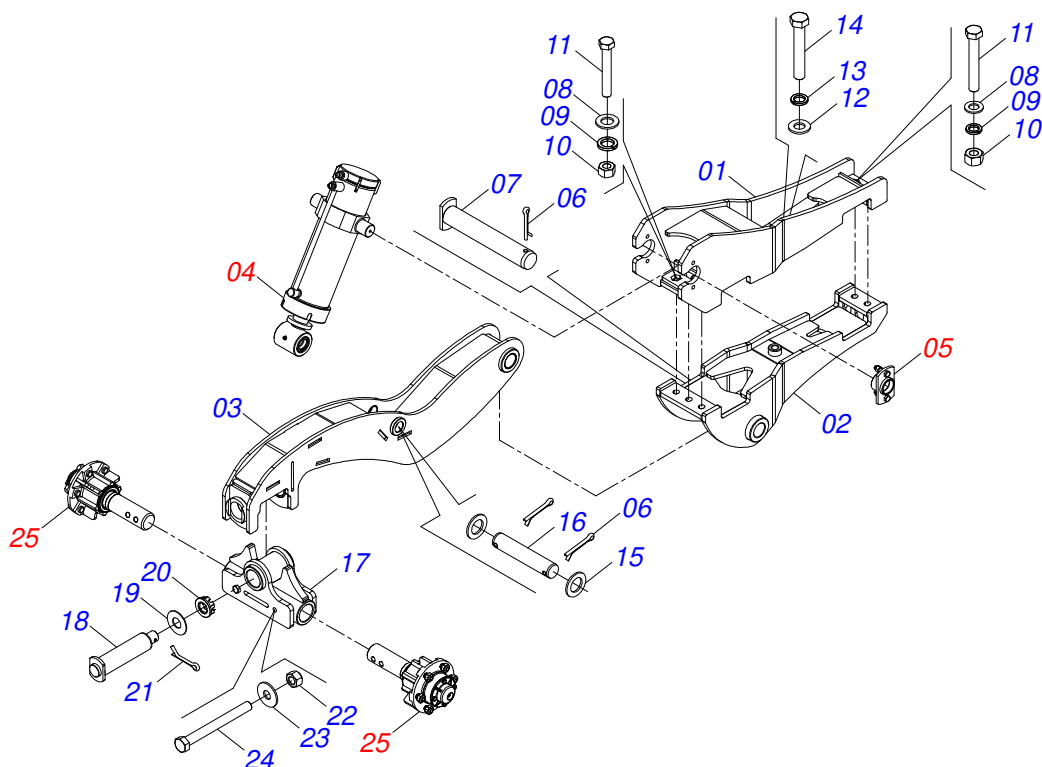
Item	Code	Description	See page	QT
01	0502012793	DISC HUB		01
02	0571018047	DISC BLADE HUB AXLE		01
03	0503017755	NUT		01
04	0502020641	BLADE DISC FLANGE		01
05	0503013816	5/16" LOCKNUT		06
06	0571018048	BACKREST WASHER		02
07	0503064620	NILOS RING 6207		02
08	0571018049	DUST CLOAK		02
09	0581010575	7/8" X 145 BOLT		01
10	0503010371	5/16" X 1" BOLT		06
11	0501010694	FLAT WASHER 8.50 X 18 X 1.50 ZN		06
12	0513012767	BEARING		02
13	0511017907	1/8" BSPT X 6 PLUG		01



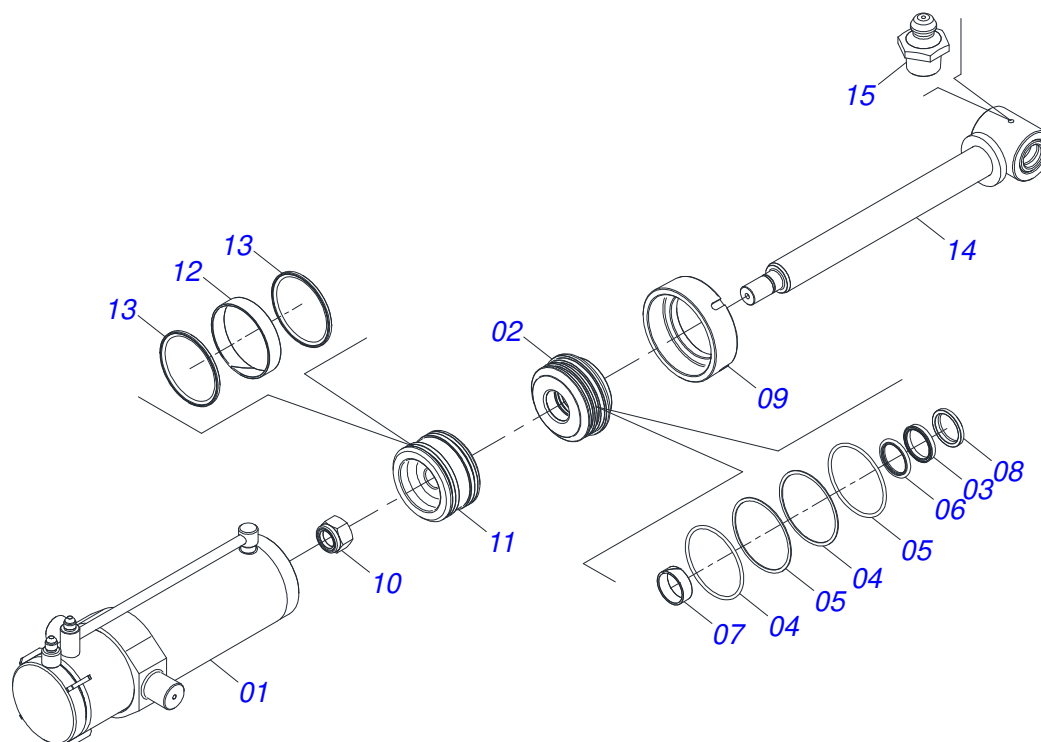
Item	Code	Description	See page	QT
01	0503010858	CANVAS TIRE		01
02	0503011468	WHEEL		01
03	0503010860	AIR CHAMBER 11L 15		01



Item	Code	Description	See page	QT
01	0503010019	SPRING WASHER 1/2"		02
02	0561013871	FLAT WASHER 13,50 X 50 X 4,75 ZN		02
03	0503012556	1/2" X 1" BOLT		02
04	0501418478	CRANK GUIDE		01
05	0503014182	SELF-ADJUSTING NUT		01
06	0511015994	FLAT WASHER		01
07	0502013196	SUPPORT		01
08	0503011075	3/4 UNC LOCK NUT		01
09	0511017305	FLAT WASHER		01
10	0503016525	3/4" X 6" BOLT		01
11	0501418479	SLEEVE		01
12	0501512940	FLAT WASHER		02
13	0501514224	SLEEVE ARTICULATION		01
14	0541062055	LEFT UPPER COULTER BLADE ARM		01
15	0501010191	1" X 6" BOLT		01
16	0541062056	RIGHT UPPER COULTER BLADE ARM		01



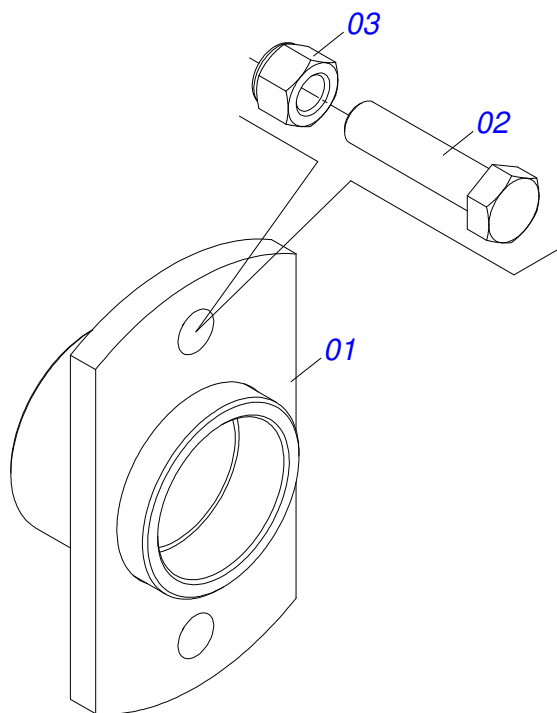
Item	Code	Description	See page	QT
01	0541062264	UPPER GAUGE WHEEL MOUNTING BRACKET		01
02	0541062279	LOWER SUPPORT CARRYING-WHEELS FIXING		01
03	0501111434	FRONT GAUGE WHEEL ARM WITH BUSHINGS		01
04	0531054025	HYDRAULIC CILINDER	26	01
05	0531054036	ASSY CENTER CYLINDER BEARING	27	02
06	0503010073	3/8" X 3.1/2" SPLIT PIN		03
07	0541062265	AXLE WITH LOC		01
08	0501010941	FLAT WASHER		05
09	0503010023	SPRING WASHER 3/4"		05
10	0503010014	HEX NUT 3/4" ZN G.5 (HEAVY) UNC		05
11	0503011084	3/4" X 5" BOLT		05
12	0511015994	FLAT WASHER		01
13	0503010012	SPRING WASHER 1"		01
14	0501010191	1" X 6" BOLT		01
15	0501012916	FLAT WASHER 40 X 66 X 4,75 ZN		02
16	0501514954	AXLE		01
17	0541062262	DOUBLE WHEEL WALKING BEAM		01
18	0541062261	PIVOT SHAFT		01
19	0551014871	FLAT WASHER		01
20	0501011301	1.1/2" UNC 6FPP 2.5/16" NUT		01
21	0503010010	1/4" X 2.1/2" SPLIT PIN		01
22	0503012412	5/8" UNC SELF LOCKING NUT		02
23	0501010453	FLAT WASHER		02
24	0501013867	BOLT 5/8" UNC X 6 CS G.5 ZN		02
25	0541059417	STUB SHAFT & HUB ASSY	28	02



Item	Code	Description	See page	QT
01	0531063523	CYLINDER CASE		01
02	0581010353	RING SUPPORT 50,80 X 127		01
03	0503018026	GASKET 1870-2000-375 B POLYMAX		01
04	0503011453	O'RING		02
05	0503018152	O'RING		02
06	0503018024	RING BS OD050805200171D-BR		01
07	0503018025	RING GUIDE W2-2250-750		01
08	0503010039	D-2000 SCRAPER RING		01
09	0502040876	COVER		01
10	0503010817	1.1/4" SELF LOCKING NUT		01
11	0581010354	PISTON127		01
12	0503018150	RING GUIDE W2-5000-984 (4528)		01
13	0503018151	RING BS OE127005200211D-BR		02
14	0531063524	ROD CYLINDER		01
15	0503010002	GREASE FITTING 1800		01

**ASSY CENTER CYLINDER BEARING**

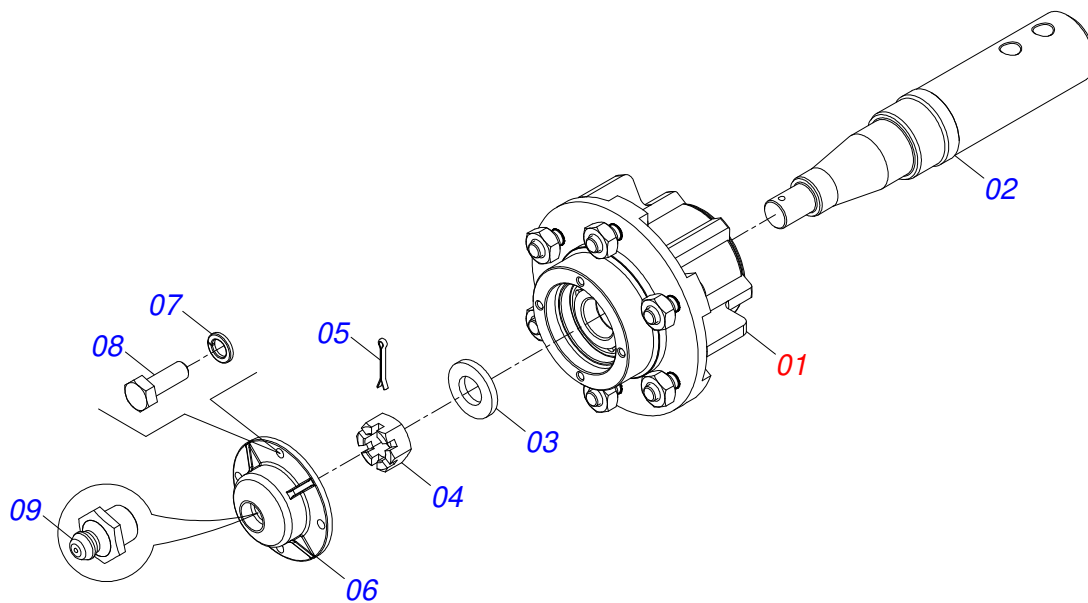
0531054036



Item	Code	Description	See page	QT
01	0501111056	BEARING SUPPORT CYLINDER WITHOUT LUBRICATION		01
02	0503010740	BOLT 1/2 UNC X 2 CS G.5 ZN		02
03	0503010589	SELF ADJUSTING NUT 1/2" UNC		02

STUB SHAFT & HUB ASSY

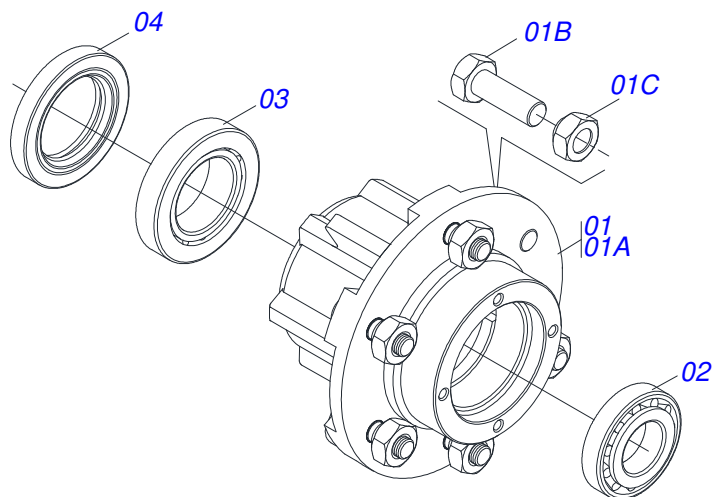
0541059417



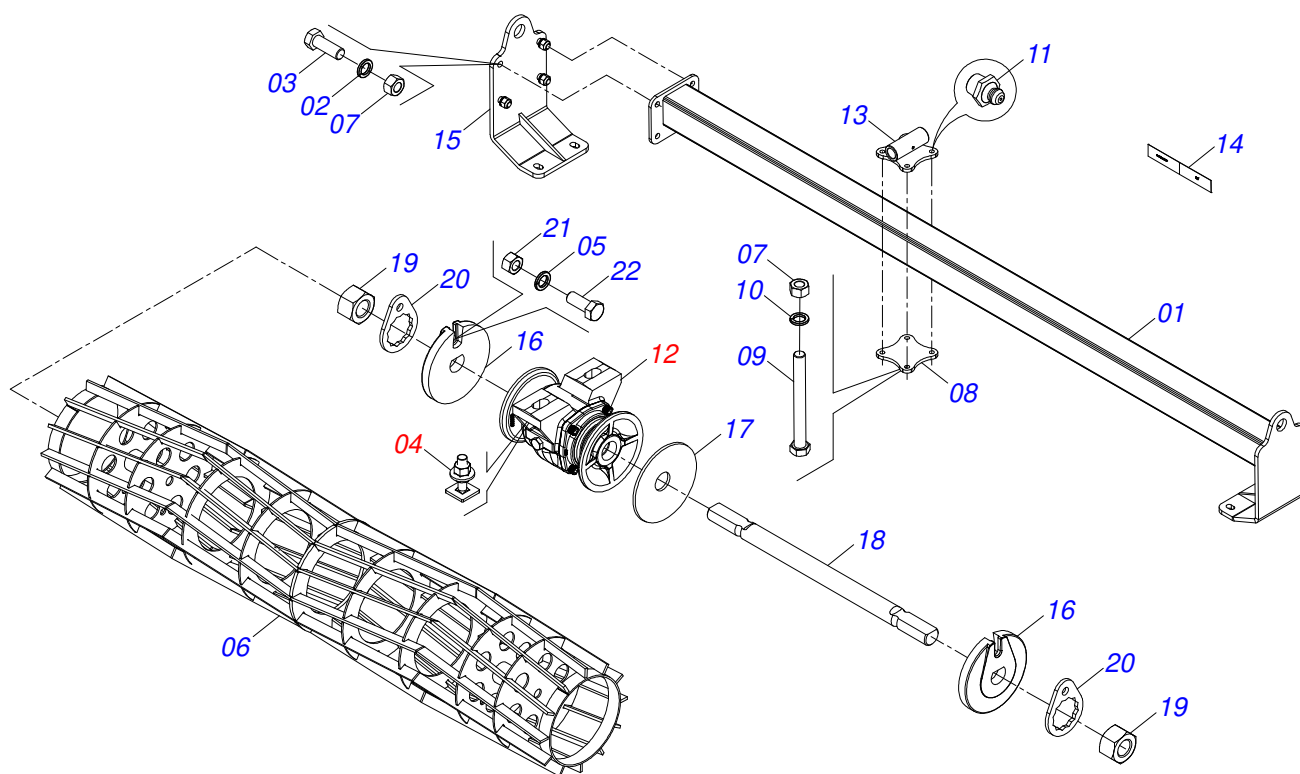
Item	Code	Description	See page	QT
01	0501051142	CARRYING WHEEL HUB	29	01
02	0501514916	AXLE		01
03	0501016545	FLAT WASHER		01
04	0503030009	1" CASTLE NUT		01
05	0503010018	5/32" X 1-1/2" SPLIT PIN		01
06	0502020591	PROTECTION LID		01
07	0503011444	SPRING WASHER 5/16"		04
08	0503010358	BOLT 5/16" X 5/8"		04
09	0503010002	GREASE FITTING 1800		01

CARRYING WHEEL HUB

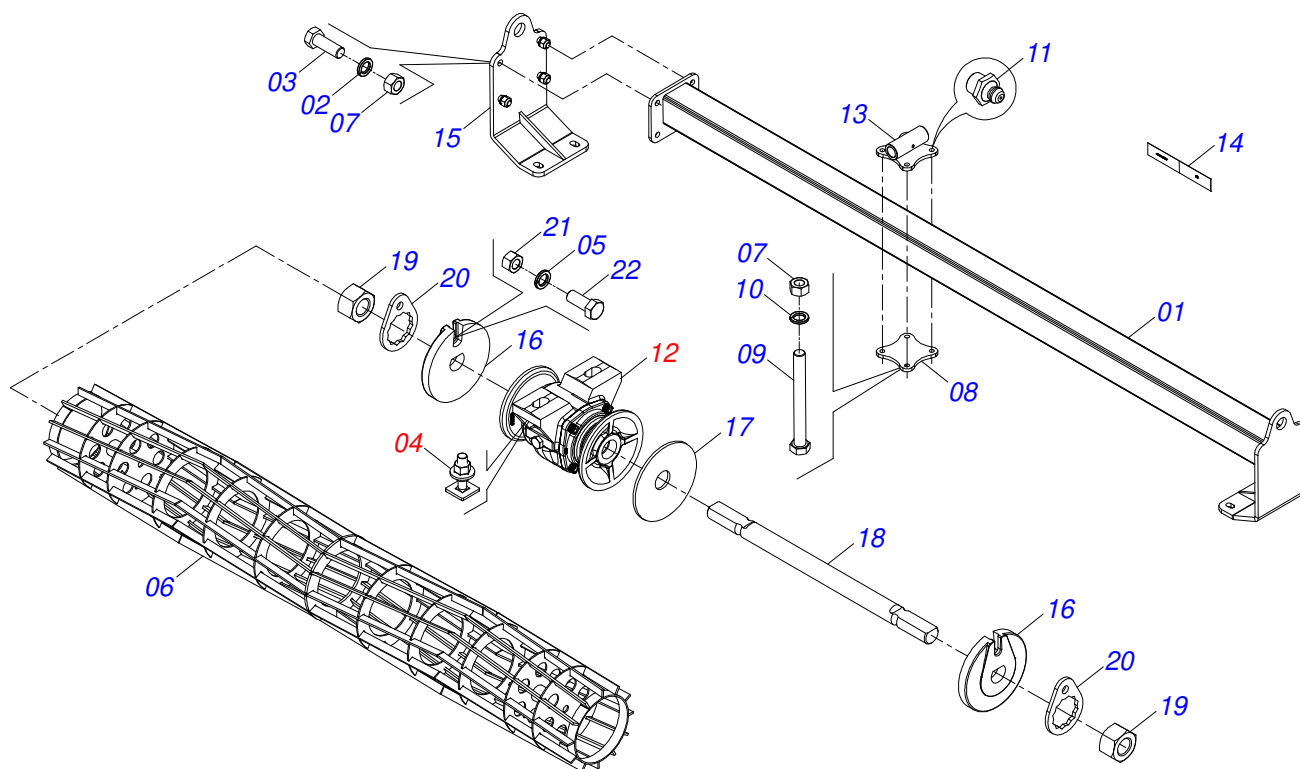
0501051142



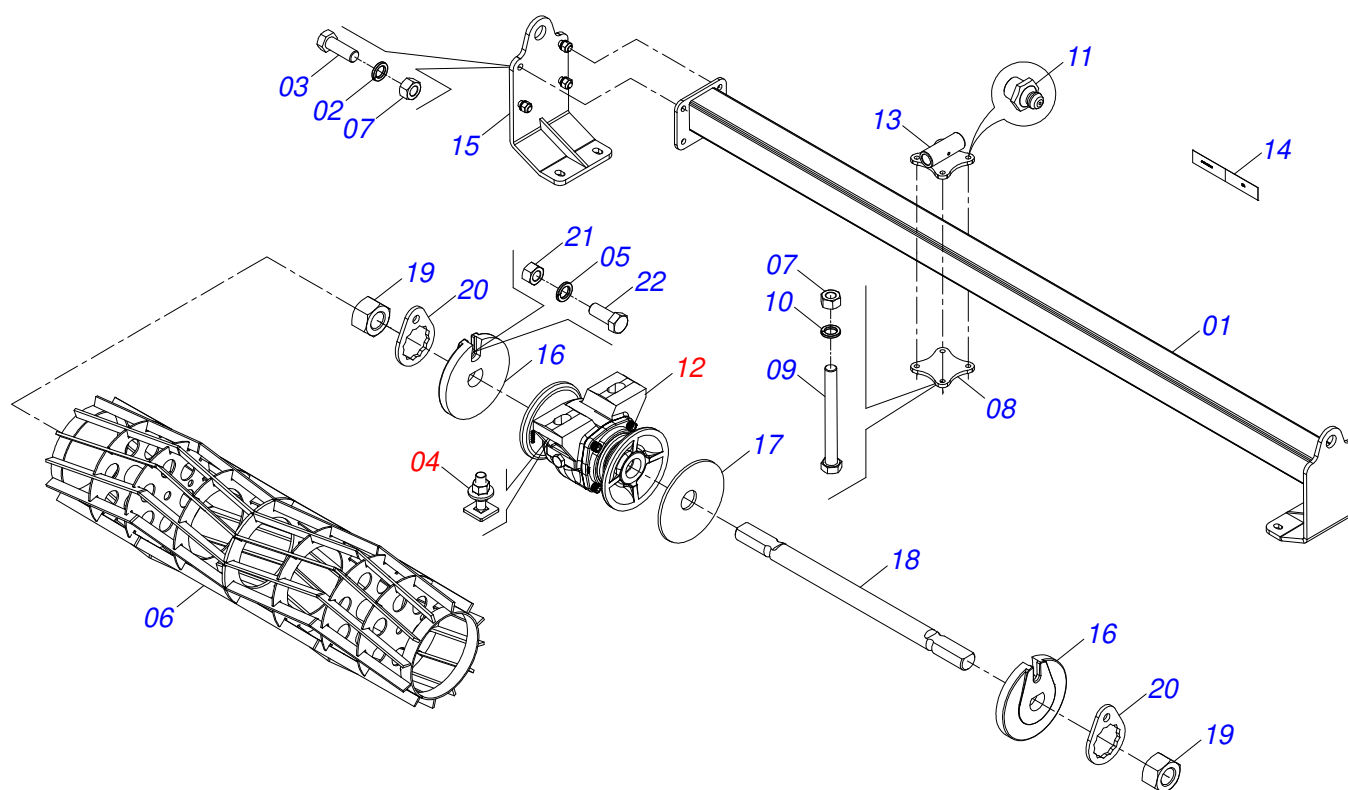
Item	Code	Description	See page	QT
01	0501110728	WHEEL HUB		01
01A	0502011121	CARRYING WHEEL HUB		01
01B	0501810127	9/16UNFX1.7/8BOLT		06
01C	0503810035	9/16 NF CONIC NUT		06
02	0503010037	30207 ROLLER BEARING		01
03	0503010006	32210 ROLLER BEARING		01
04	0503012928	SEAL		01



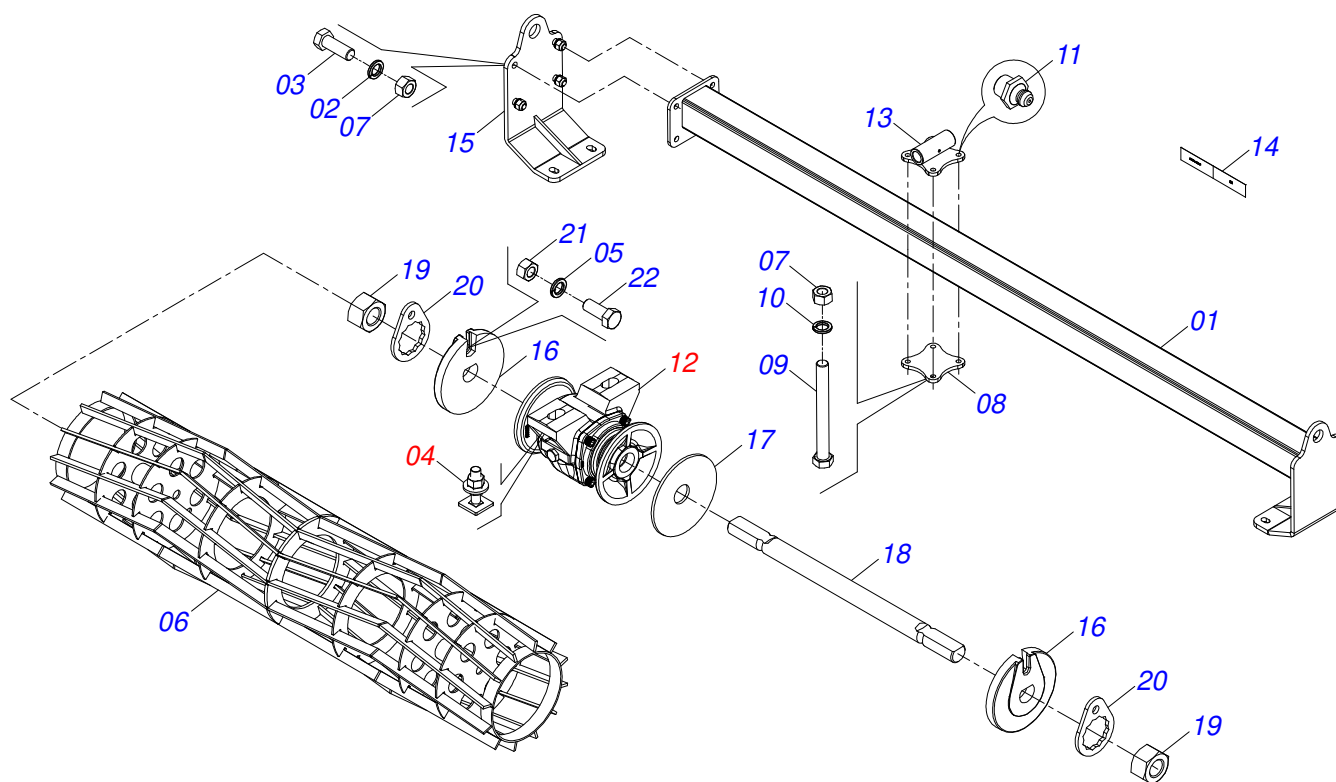
Item	Code	Description	See page	QT
01	0531063761	2430 ROLLER SUPPORT		01
02	0503011445	SPRING WASHER		04
03	0503010232	BOLT 5/8" X 1.3/4"		04
04	0501058802	5/8 UNC X 2.3/4 BOLT ASSY	34	04
05	0503011440	SPRING WASHER		04
06	0541062251	CAGE ROLLER 2390		01
07	0503010013	HEX NUT 5/8 UNC G.5 ZN		12
08	0571017230	FIXER PLATE		02
09	0501013867	BOLT 5/8" UNC X 6 CS G.5 ZN		08
10	0503010027	SPRING WASHER 5/8"		08
11	0503010002	GREASE FITTING 1800		02
12	0501046922	AGRICULTURAL BEARING DM OL 7 X 1.1/4 35 IMPLEMENT		02
13	0521065253	ROLLER FIXER		02
14	0503013229	REFLECTIVE SIDE BAND		06
15	0521062673	BRACKET MOBILE FIXER ROLLER		01
16	0502010835	1-1/4" EXTERNAL AXLE WASHER		04
17	0531018575	WASHER CONCAVE		02
18	0501010752	1.1/4 X 500 AXLE		02
19	0501010087	1.1/4" NUT		04
20	0501010455	1.1/4" NUT LOCK		04
21	0503010060	HEX NUT 1/2 UNC G.5 ZN		04
22	0501010161	BOLT 1/2" UNC X 1.1/4" C S G.2 ZN		04



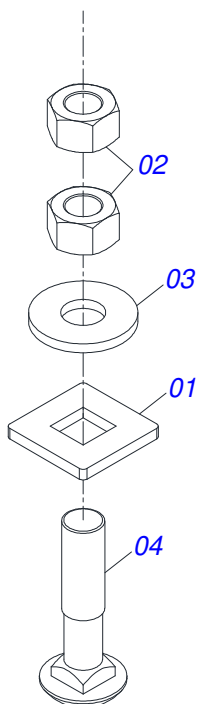
Item	Code	Description	See page	QT
01	0541060583	3162 CAGE ROLLER SUPPORT		01
02	0503011445	SPRING WASHER		04
03	0503010232	BOLT 5/8" X 1.3/4"		04
04	0501058802	5/8 UNC X 2.3/4 BOLT ASSY	34	04
05	0503011440	SPRING WASHER		04
06	0541062252	CAGE ROLLER 3310		01
07	0503010013	HEX NUT 5/8 UNC G.5 ZN		12
08	0571017230	FIXER PLATE		02
09	0501013867	BOLT 5/8" UNC X 6 CS G.5 ZN		08
10	0503010027	SPRING WASHER 5/8"		08
11	0503010002	GREASE FITTING 1800		02
12	0501046922	AGRICULTURAL BEARING DM OL 7 X 1.1/4 35 IMPLEMENT		02
13	0521065253	ROLLER FIXER		02
14	0503013229	REFLECTIVE SIDE BAND		06
15	0521062673	BRACKET MOBILE FIXER ROLLER		01
16	0502010835	1-1/4" EXTERNAL AXLE WASHER		04
17	0531018575	WASHER CONCAVE		02
18	0501010752	1.1/4 X 500 AXLE		02
19	0501010087	1.1/4" NUT		04
20	0501010455	1.1/4" NUT LOCK		04
21	0503010060	HEX NUT 1/2 UNC G.5 ZN		04
22	0501010161	BOLT 1/2" UNC X 1.1/4" C S G.2 ZN		04



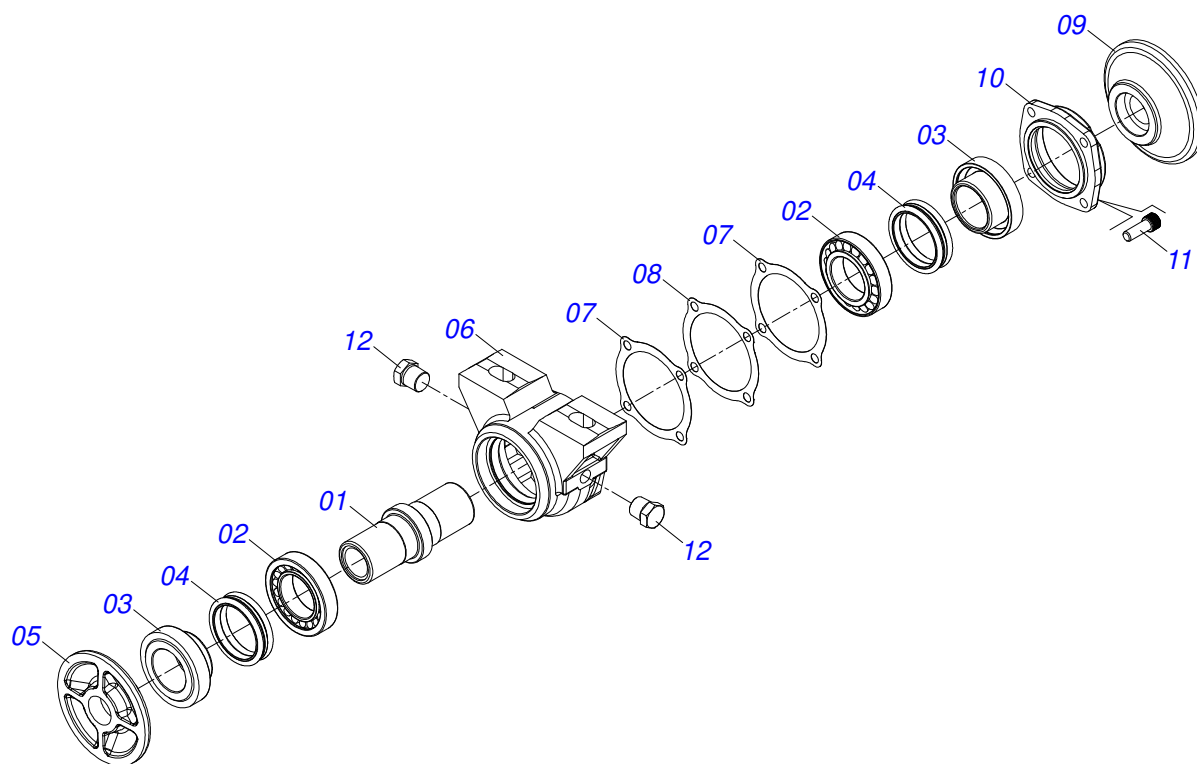
Item	Code	Description	See page	QT
01	0531063662	1830 ROLLER SUPPORT		01
02	0503011445	SPRING WASHER		04
03	0503010232	BOLT 5/8" X 1.3/4"		04
04	0501058802	5/8 UNC X 2.3/4 BOLT ASSY	34	04
05	0503011440	SPRING WASHER		04
06	0541062249	CAGE ROLLER 1790		01
07	0503010013	HEX NUT 5/8 UNC G.5 ZN		12
08	0571017230	FIXER PLATE		02
09	0501013867	BOLT 5/8" UNC X 6 CS G.5 ZN		08
10	0503010027	SPRING WASHER 5/8"		08
11	0503010002	GREASE FITTING 1800		02
12	0501046922	AGRICULTURAL BEARING DM OL 7 X 1.1/4 35 IMPLEMENT		02
13	0521065253	ROLLER FIXER		02
14	0503013229	REFLECTIVE SIDE BAND		06
15	0521062673	BRACKET MOBILE FIXER ROLLER		01
16	0502010835	1-1/4" EXTERNAL AXLE WASHER		04
17	0531018575	WASHER CONCAVE		02
18	0501010752	1.1/4 X 500 AXLE		02
19	0501010087	1.1/4" NUT		04
20	0501010455	1.1/4" NUT LOCK		04
21	0503010060	HEX NUT 1/2 UNC G.5 ZN		04
22	0501010161	BOLT 1/2" UNC X 1.1/4" C S G.2 ZN		04



Item	Code	Description	See page	QT
01	0531065454	2130 ROLLER SUPPORT		01
02	0503011445	SPRING WASHER		04
03	0503010232	BOLT 5/8" X 1.3/4"		04
04	0501058802	5/8 UNC X 2.3/4 BOLT ASSY	34	04
05	0503011440	SPRING WASHER		04
06	0541062250	CAGE ROLLER 2090		01
07	0503010013	HEX NUT 5/8 UNC G.5 ZN		12
08	0571017230	FIXER PLATE		02
09	0501013867	BOLT 5/8" UNC X 6 CS G.5 ZN		08
10	0503010027	SPRING WASHER 5/8"		08
11	0503010002	GREASE FITTING 1800		02
12	0501046922	AGRICULTURAL BEARING DM OL 7 X 1.1/4 35 IMPLEMENT		02
13	0521065253	ROLLER FIXER		02
14	0503013229	REFLECTIVE SIDE BAND		06
15	0521062673	BRACKET MOBILE FIXER ROLLER		01
16	0502010835	1-1/4" EXTERNAL AXLE WASHER		04
17	0531018575	WASHER CONCAVE		02
18	0501010752	1.1/4 X 500 AXLE		02
19	0501010087	1.1/4" NUT		04
20	0501010455	1.1/4" NUT LOCK		04
21	0503010060	HEX NUT 1/2 UNC G.5 ZN		04
22	0501010161	BOLT 1/2" UNC X 1.1/4" C S G.2 ZN		04

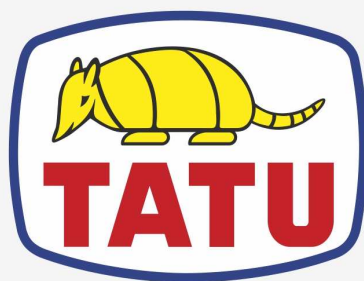


Item	Code	Description	See page	QT
01	0501010947	5/8 NUT LOCK		01
02	0503010013	HEX NUT 5/8 UNC G.5 ZN		02
03	0501012140	FLAT WASHER 16,50 X 40 X 4,00 ZN		01
04	0503015154	5/8" X 2.3/4" BOLT		01



Item	Code	Description	See page	QT
01	0502040218	AXLE		01
02	0503010111	30210 ROLLER BEARING		02
03	0502010541	SEAL HOLDER		02
04	0503030026	SEAL LP JB-253		02
05	0502010071	INNER FLANGE		01
06	0502010540	HOUSING DM		01
07	0503030013	4.4" X 3.5" X 0.004" JOINT		02
08	0503030684	4.4" X 3.5" X 0.004" JOINT		01
09	0502010070	OUTER FLANGE		01
10	0502020424	HOUSING CAP 182/192,225		01
11	0503010134	3/8" X 1" BOLT		04
12	0503010856	OIL PLUG R 3/8 BSPT		02





**MARCHESAN**

**Technical Publications | Elaboration and Revision**

MARINA PEREZ NIZA

[www.marchesan.com.br](http://www.marchesan.com.br)

