

SUBSOILER PLOW

SACM TREE 3L

Code: 0501094244
Series: S0126
Revision: 00
Revision Date: APRIL/2026

PARTS CATALOGUE



MARCHESAN



PRODUCTS

Code	Working Width	Description
0110030326		SACM TREE 3L 1S 2HL E750 1200L 12D RDA SAR S0126
0110030325		SACM TREE 3L 1S 2HL E750 1200L 12D RDC SAR S0126
0110030327		SACM TREE 3L 1S 2HL E750 1200L 12D RDF SAR S0126

ATTENTION: IMPORTANT

Marchesan S.A. reserves the right to improve and/or modify the technical features of its products, without obligation to do the same with those products already sold and without prior knowledge of the dealer or the customer. The photos are only illustrative.



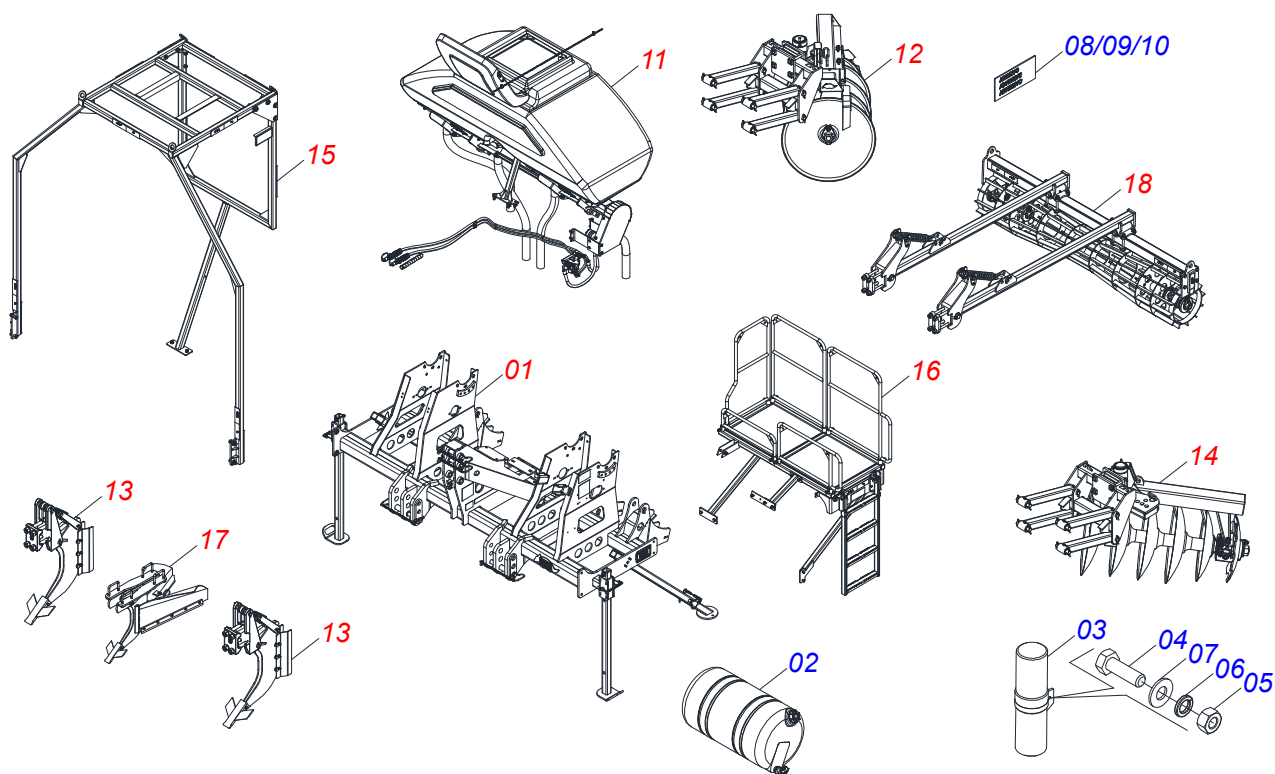
MARCHESAN

INDEX

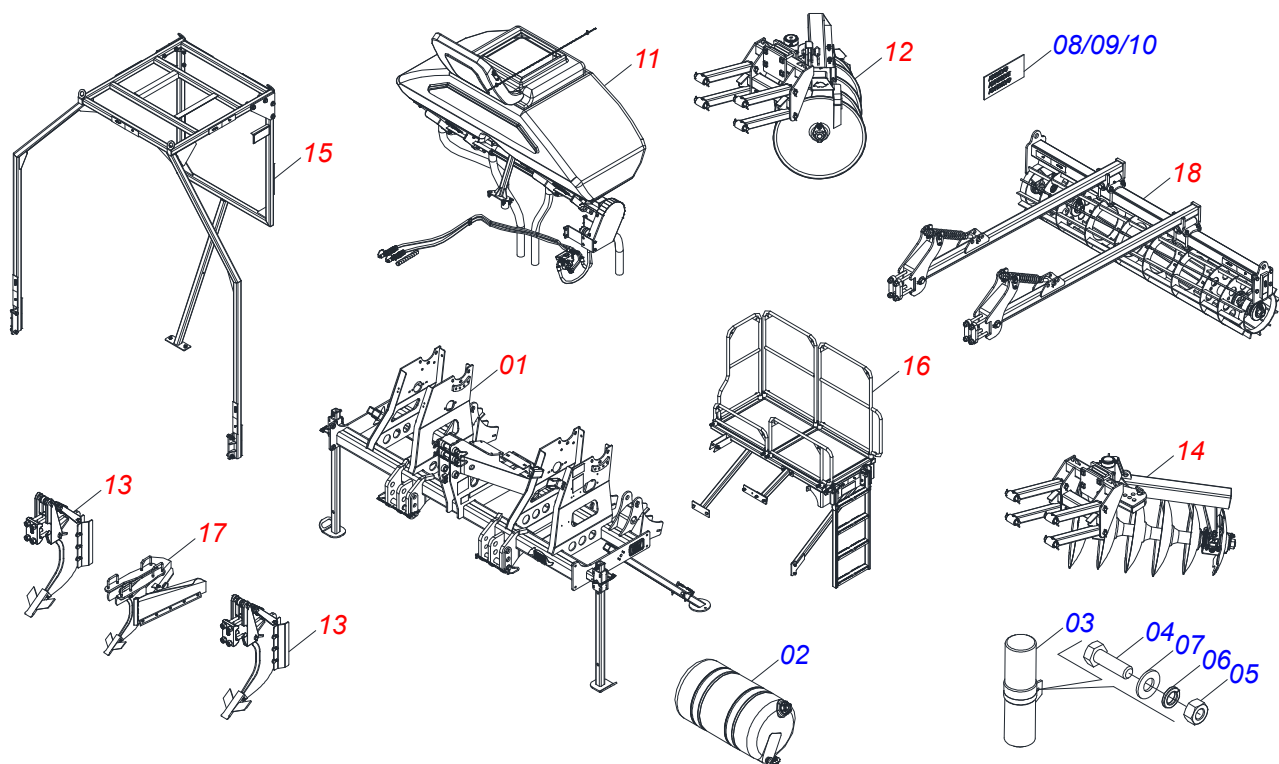
011134	ASSEMBLED FRAME WITH BREAK ROLLER REEL	1
011109	ASSEMBLED FRAME WITH BREAK ROLLER OPEN	2
009453	ASSEMBLED FRAME WITH BREAK ROLLER CLOSE	3
0541057646	SEMI ASSEMBLED FRAME	4
0521056608	LOWER AXLE COMPLETE COUPLING	5
0521056607	AXLE	6
0521056606	AXLE 31,75 X EC 180	7
0541057645	REAR SUPPORT ASSY	8
0521055307	AXIS 19,05 X EC 105 ASSY	9
0521057566	PLOUGH SUPPORT	10
0521054631	AXIS 27,80 X EC 98 ASSY	11
009455	FRAME ASSY WITH FERTILIZER BOX	12
0501054355	LARGE SEED CHAIN TENSIONER	13
0541057665	SUPPORT BEAN ASSY	14
011470	SEMI-ASSEMBLED FERTILIZER BOX WITH HANDLE	15
0521054716	ASSY DISPLAY	16
0521056597	LEFT/RIGHT SILO THREAD DISTRIBUTOR ASSEMBLY	17
009475	HYDRAULIC SYSTEM	18
009476	HOSE KIT FRAME	19
0521056751	1/2" X 98" TC-TM HOSE YELLOW/RED	20
0521056750	HOSE 1/2 X 2500 TC-TM YELLOW/BLUE	21
0541059122	REGULATORY VALVE PFC51-12 C/ NIPLE 7/8NF X R1.1/16 UN	22
0501053834	MALE QUICK COUPLER	23
0501053788	3/4" SQUARE AXLE FASTENER	24
009495	RIGHT HARROW ASSY	25
0541057695	OSCILLATING ARM	26
009496	FRAME WITH ADJUSTMENT FOR COMPLETE RIGHT DISC	27
009493	DISC SET	28
0521047424	SCREW ASSY	29
0511048374	BEARING WITH SUPPORT PROTECTION	30
0501059734	BEARING DMO 225 X 1.5/8 IMP	31
0501046855	1-5/8" X 52" AXLE WITH NUTS 2-3/4	32
0541057647	SHANK SYSTEM ASSY	33
009680	LEFT HARROW ASSY	34
009619	CHASSIS WITH ADJUSTMENT FOR LEFT DISC COMPLETE	35
0541059112	BAG SUPPORT ASSY	36
0541057649	PLATAFORM ASSY	37
0541057648	FURROWERED SHANK ASSY	38
011135	CAGE ROLLER ASSEMBLY REEL	39
0541057763	CLOD BREAKER ROLL ARM ASSY	40
009208	FULL REEL SHREDDING ROLLER	41
0501058802	5/8 UNC X 2.3/4 BOLT ASSY	42
0501046922	AGRICULTURAL BEARING DM OL 7 X 1.1/4 IMPLEMENT	43
011112	FULL OPEN TORNADO ROLLER	44
0521044951	BREAK ROLLER	45
0541057667	CLOD BREAKER ROLL ASSY	46
0551050129	CLOD BREAKER ROLL ASSY	47

ASSEMBLED FRAME WITH BREAK ROLLER REEL

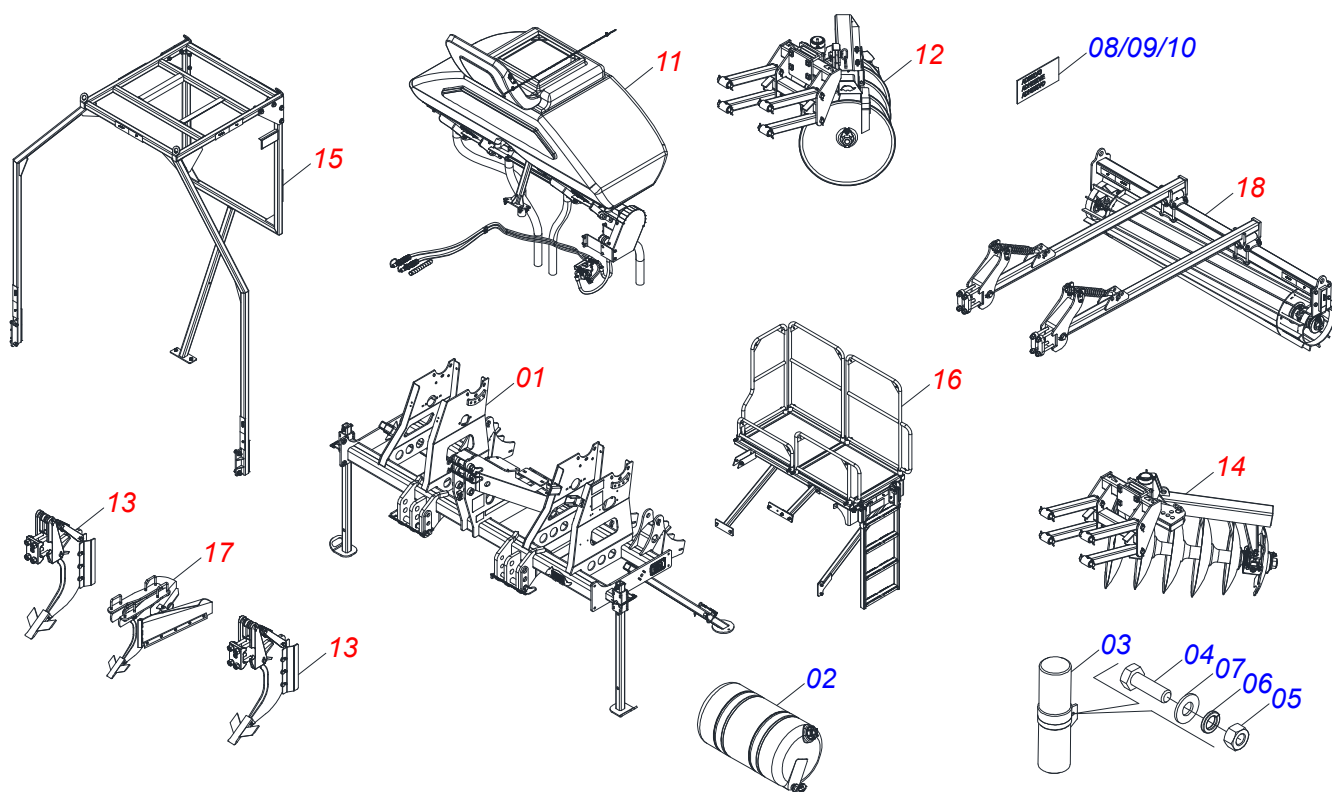
011134



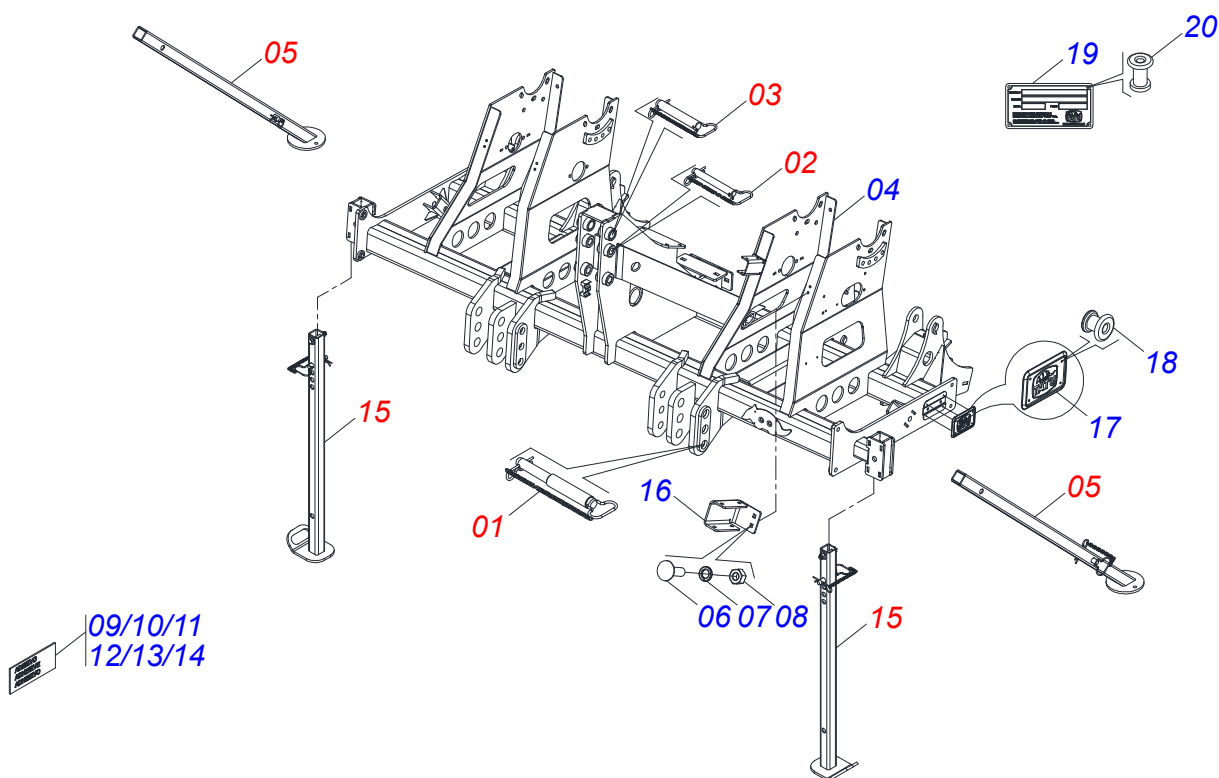
Item	Code	Description	See page	QT
01	0541057646	SEMI ASSEMBLED FRAME	4	01
02	0503014820	WATER JUG 25/26 LITERS		01
03	0503060100	SUPPORT INSTRUCTION MANUAL		01
04	0503010371	5/16" X 1" BOLT		01
05	0503010337	NUT 5/16 UNC G.5 ZN		01
06	0503010179	LOCK WASHER 5/16 ZN 1K01528		01
07	0501010694	FLAT WASHER 8.50 X 18 X 1.50 ZN		01
08	0503037523	ADHESIVE LABEL		01
09	0503034247	LUBRICATION POINT DECAL		27
10	0503034078	LIFTING POINTS DECAL		04
11	009455	FRAME ASSY WITH FERTILIZER BOX	12	01
12	009495	RIGHT HARROW ASSY	25	01
13	0541057647	SHANK SYSTEM ASSY	33	02
14	009680	LEFT HARROW ASSY	34	01
15	0541059112	BAG SUPPORT ASSY	36	01
16	0541057649	PLATAFORM ASSY	37	01
17	0541057648	FURROWERED SHANK ASSY	38	01
18	011135	CAGE ROLLER ASSEMBLY REEL	39	01



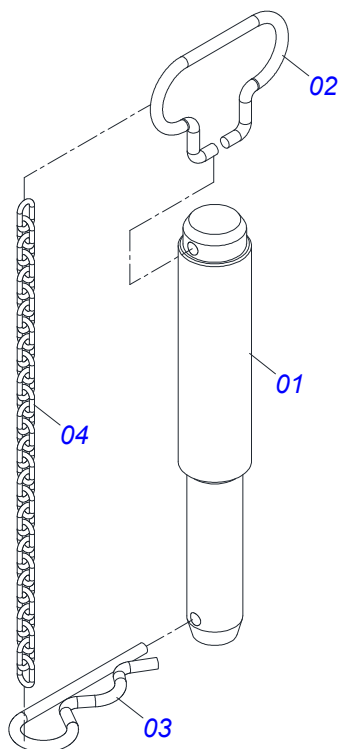
Item	Code	Description	See page	QT
01	0541057646	SEMI ASSEMBLED FRAME	4	01
02	0503014820	WATER JUG 25/26 LITERS		01
03	0503060100	SUPPORT INSTRUCTION MANUAL		01
04	0503010371	5/16" X 1" BOLT		01
05	0503010337	NUT 5/16 UNC G.5 ZN		01
06	0503010179	LOCK WASHER 5/16 ZN 1K01528		01
07	0501010694	FLAT WASHER 8.50 X 18 X 1.50 ZN		01
08	0503037523	ADHESIVE LABEL		01
09	0503034247	LUBRICATION POINT DECAL		27
10	0503034078	LIFTING POINTS DECAL		04
11	009455	FRAME ASSY WITH FERTILIZER BOX	12	01
12	009495	RIGHT HARROW ASSY	25	01
13	0541057647	SHANK SYSTEM ASSY	33	02
14	009680	LEFT HARROW ASSY	34	01
15	0541059112	BAG SUPPORT ASSY	36	01
16	0541057649	PLATAFORM ASSY	37	01
17	0541057648	FURROWED SHANK ASSY	38	01
18	011112	FULL OPEN TORNADO ROLLER	44	01



Item	Code	Description	See page	QT
01	0541057646	SEMI ASSEMBLED FRAME	4	01
02	0503014820	WATER JUG 25/26 LITERS		01
03	0503060100	SUPPORT INSTRUCTION MANUAL		01
04	0503010371	5/16" X 1" BOLT		01
05	0503010337	NUT 5/16 UNC G.5 ZN		01
06	0503010179	LOCK WASHER 5/16 ZN 1K01528		01
07	0501010694	FLAT WASHER 8.50 X 18 X 1.50 ZN		01
08	0503037523	ADHESIVE LABEL		01
09	0503034247	LUBRICATION POINT DECAL		27
10	0503034078	LIFTING POINTS DECAL		04
11	009455	FRAME ASSY WITH FERTILIZER BOX	12	01
12	009495	RIGHT HARROW ASSY	25	01
13	0541057647	SHANK SYSTEM ASSY	33	02
14	009680	LEFT HARROW ASSY	34	01
15	0541059112	BAG SUPPORT ASSY	36	01
16	0541057649	PLATAFORM ASSY	37	01
17	0541057648	FURROWERED SHANK ASSY	38	01
18	0541057667	CLOD BREAKER ROLL ASSY	46	01



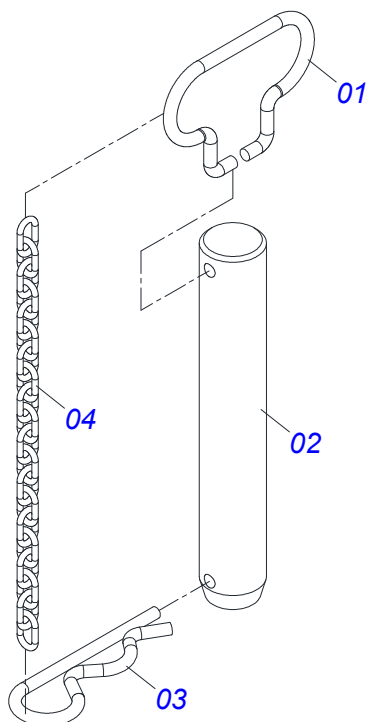
Item	Code	Description	See page	QT
01	0521056608	LOWER AXLE COMPLETE COUPLING	5	02
02	0521056607	AXLE	6	01
03	0521056606	AXLE 31,75 X EC 180	7	01
04	0541060491	FRAME		01
05	0541057645	REAR SUPPORT ASSY	8	02
06	0503011953	5/16" X 1" BOLT		04
07	0503010179	LOCK WASHER 5/16 ZN 1K01528		04
08	0503010337	NUT 5/16 UNC G.5 ZN		04
09	0503031827	DAILY LUBRICATION AND RETIGHTENING DECAL		02
10	0503033647	APPROVED DECAL		01
11	0503034648	ADHESIVE LABEL		01
12	0503031739	DANGER DECAL		01
13	0503031942	MANUAL SEAL DECAL		01
14	0503031428	ATTENTION READ MANUAL DECAL		01
15	0521057566	PLOUGH SUPPORT	10	02
16	0501419094	WATER RESERVOIR SUPPORT		02
17	0503037622	TATU LOGO PLATE		01
18	0513013632	POP RIVET		04
19	0503034003	61 X 118 SERIAL NUMBER TAG		01
20	0503010001	RIVET 3,2 X 5,5		04



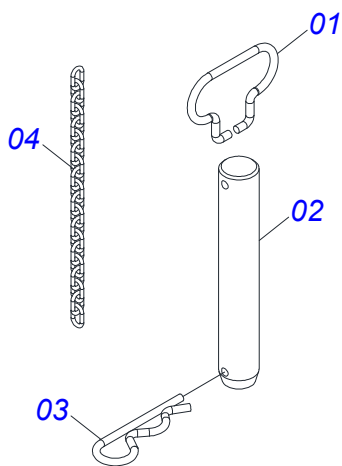
Item	Code	Description	See page	QT
01	0591011277	LOWER COUPLING AXLE		01
02	0503034755	HANDLE PIN HITCH		01
03	0503031035	HITCH PIN CLIP		01
04	0503034972	CHAIN		01

AXLE

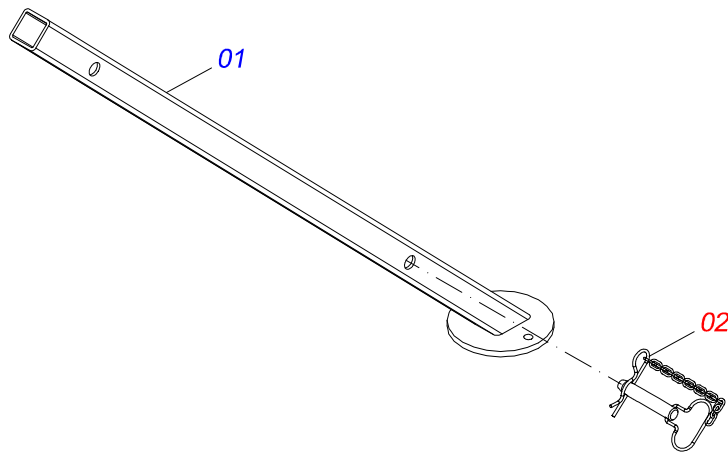
0521056607



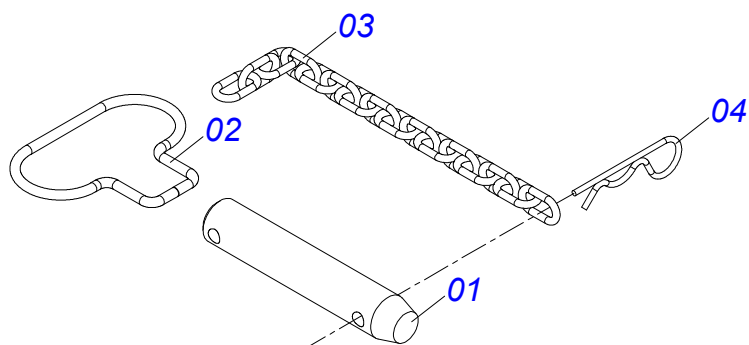
Item	Code	Description	See page	QT
01	0503034755	HANDLE PIN HITCH		01
02	0591011276	AXLE		01
03	0503031035	HITCH PIN CLIP		01
04	0503034973	CURRENT		01



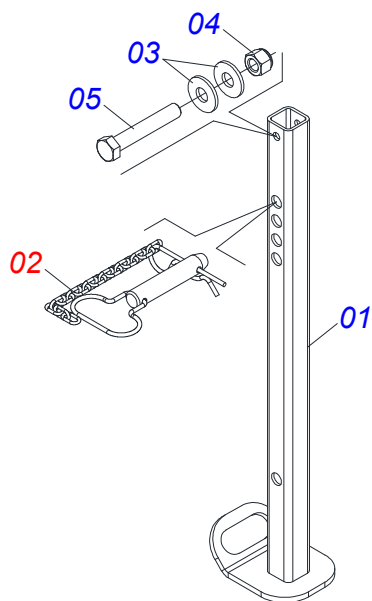
Item	Code	Description	See page	QT
01	0503034755	HANDLE PIN HITCH		01
02	0591011275	AXLE 31,75 X 205 X EC 180 FR 7,14		01
03	0503031035	HITCH PIN CLIP		01
04	0503034973	CURRENT		01



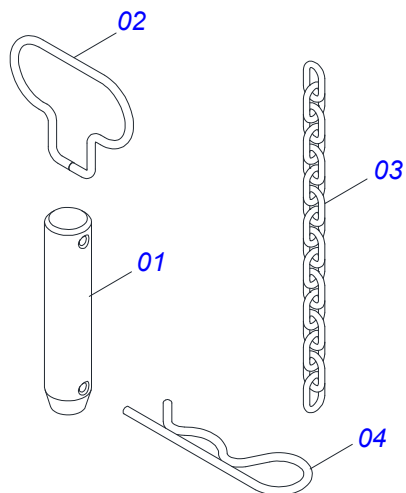
Item	Code	Description	See page	QT
01	0541060483	REAR SUPPORT		01
02	0521055307	AXIS 19,05 X EC 105 ASSY	9	01



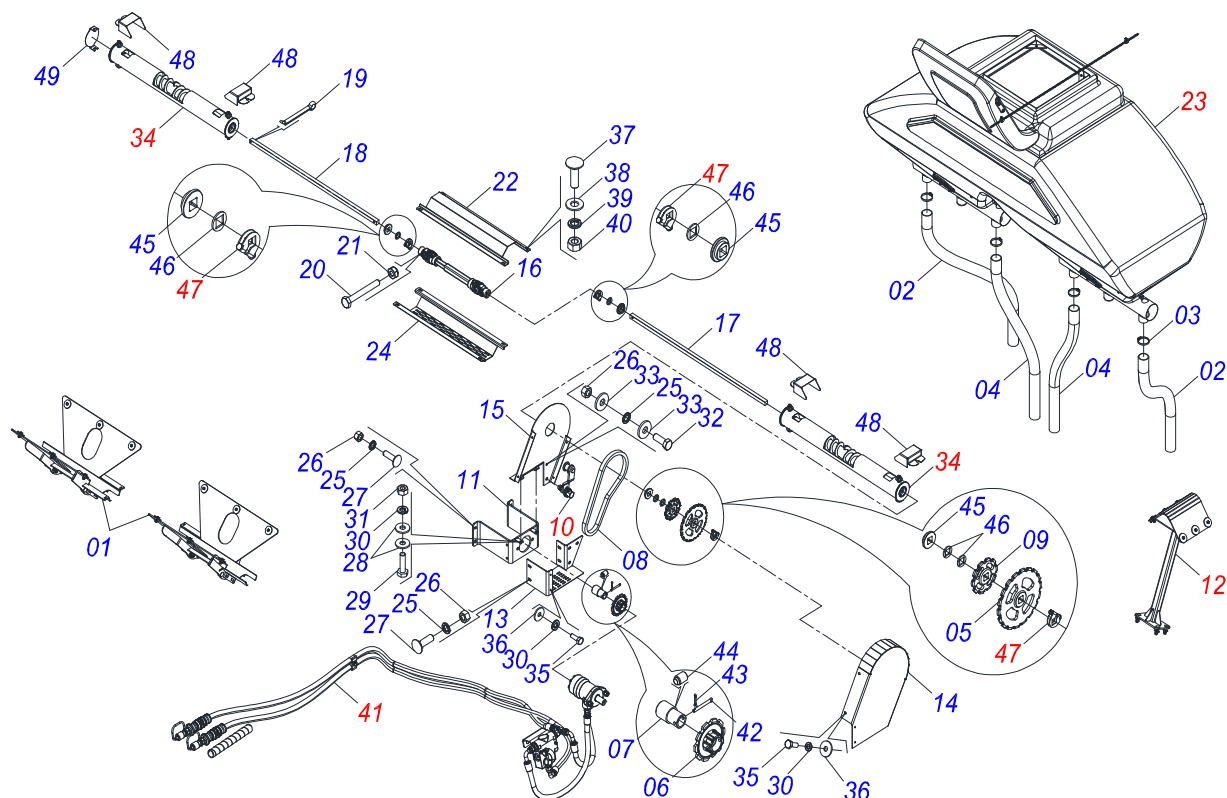
Item	Code	Description	See page	QT
01	0581019771	AXIS 19,05 X 105 X EC 75 FR 6,35		01
02	0503034794	HANDLE PIN HITCH 4MM		01
03	0503034756	CHAIN 3.00 X 16		01
04	0503030012	HITCH PIN CLIP		01



Item	Code	Description	See page	QT
01	0531060603	SUPPORT		01
02	0521054631	AXIS 27,80 X EC 98 ASSY	11	01
03	0511017302	FLAT WASHER 13.50 X 32.50 X 3.0 ZN		02
04	0503010589	SELF ADJUSTING NUT 1/2" UNC		01
05	0503010479	BOLT		01

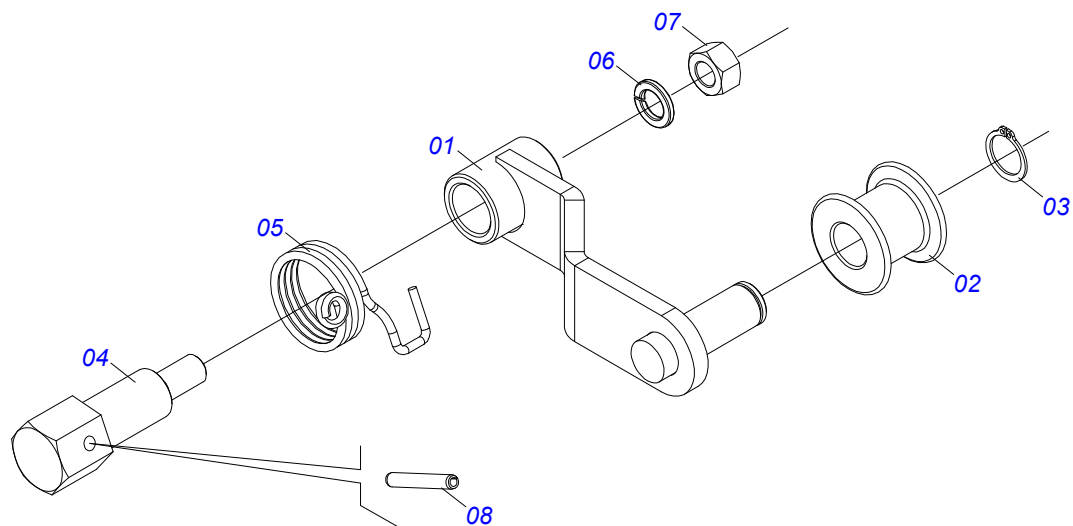


Item	Code	Description	See page	QT
01	0581019024	AXIS 19,05 X 98 X EC 75 FR 6,35		01
02	0503034794	HANDLE PIN HITCH 4MM		01
03	0503034756	CHAIN 3.00 X 16		01
04	0503030012	HITCH PIN CLIP		01

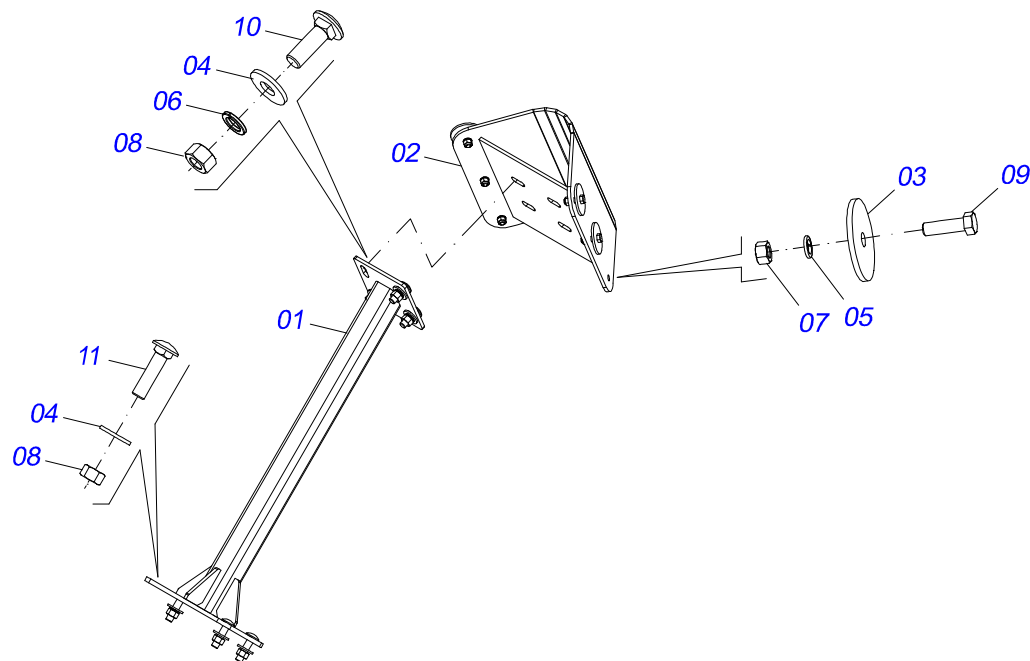


Item	Code	Description	See page	QT
01	0521054622	BEAN ASSY SUPPORT		02
02	0501082219	HOSE 2.1/2 X 1430		02
03	0503011266	CLAMP 2.1/4" A 3" 57-76		04
04	0501083583	2.1/2 X 1160 AB - AB HOSE		02
05	1902010149	SPROCKET WHEEL		01
06	0502011317	10Z P 1.2" RH 1.3/8" GEAR		01
07	009459	SLEEVE		01
08	0503014266	2050 CHAIN X 31 LINK + MENDING+REDUCTION		01
09	1902010145	SPROCKET WHEEL		01
10	0501054355	LARGE SEED CHAIN TENSIONER	13	01
11	009460	ENGINE FIXING BASE		01
12	0541057665	SUPPORT BEAN ASSY	14	01
13	009463	CHAIN PROTECTION BASE		01
14	009467	CHAIN PROTECTION COVER		01
15	009470	REAR PROTECTION CHAIN		01
16	0503062755	TRANSMISSION AXLE		01
17	009473	SQUARE SHAFT 3/4 X 975		01
18	009474	SQUARE SHAFT 3/4 X 975		01
19	0503010362	SPLIT PIN 1/8" X 1.1/4"		01
20	0503014491	SCREW 1/4 UNC X 2 CS G.5 ZN		02
21	0503012880	1/4" UNC SELF ADJUSTING NUT		02
22	0581018980	AXIS CENTRAL PROTECTION		01
23	011470	SEMI-ASSEMBLED FERTILIZER BOX WITH 15 HANDLE		01
24	0591011243	LOWER AXLE CENTRAL PROTECTION		01
25	0503010025	SPRING WASHER 3/8"		10
26	0503010026	NUT 3/8"		10
27	0501010942	3/8" X 1-1/4" BOLT		08
28	0503010305	6,50 X 17 X 1,50 ZN FLAT WASHER		04
29	0503010294	1/4" X 7/8" BOLT		02
30	0503010143	SPRING WASHER 1/4"		10
31	0503010144	1/4" NUT		04

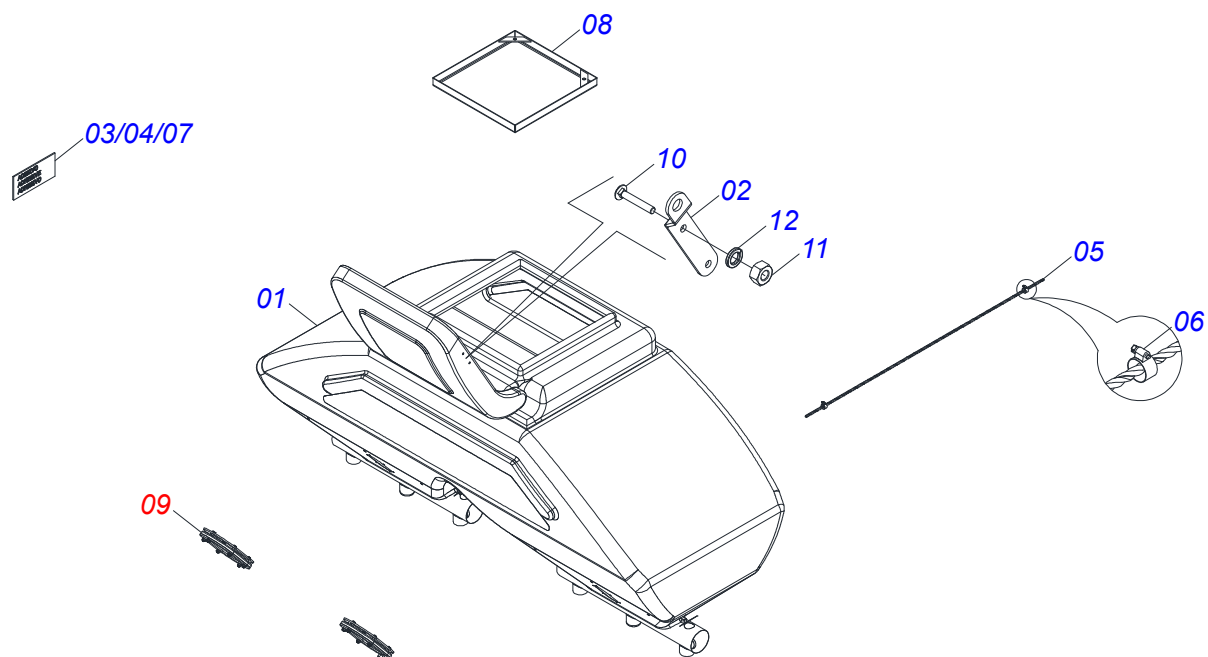
Item	Code	Description	See page	QT
32	0503011087	3/8" X 1" BOLT		02
33	0501010984	FLAT WASHER 10.50 X 27 X 3.00		04
34	0521056597	LEFT/RIGHT SILO THREAD DISTRIBUTOR ASSEMBLY	17	02
35	0503013849	1/4" UNC X 3/4" BOLT		06
36	0591012160	7 X 23 X 2.00 ZN FLAT WASHER		06
37	0503016882	BOLT 5/16 UNC X 1 CAPQ G.2 INOX		04
38	0503012545	FLAT WASHER		04
39	0503012534	LOCK WASHER		04
40	0503012530	5/16" INOX NUT		04
41	009475	HYDRAULIC SYSTEM	18	01
42	0521010530	JUNCTION AXLE 6,80 X 60		01
43	0503010140	1/8" X 3/4" SPLIT PIN		01
44	0503011769	M8 X 0.5" BOLT		02
45	0503031527	AGRICULTURAL BEARING		03
46	0521018630	1.4" X SQUARE 0.8" WASHER		04
47	0501053788	3/4" SQUARE AXLE FASTENER	24	03
48	0581019971	CONVEYOR THREAD PROTECTION		04
49	0581019023	PROTECTION CANNON FERTILIZER		01



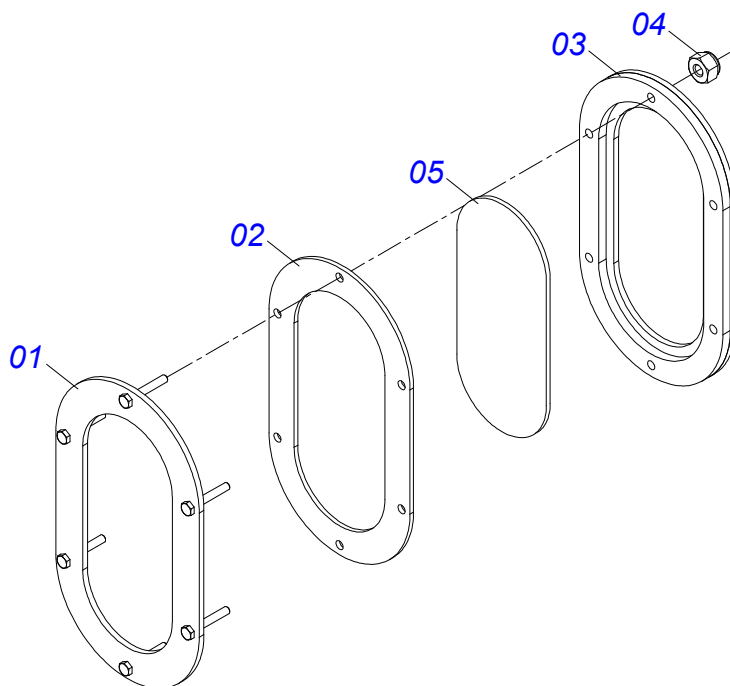
Item	Code	Description	See page	QT
01	0511064208	LARGE SEED CHAIN TENSIONER		01
02	0503030402	PULLEY		01
03	0503010302	501019 SEAL RING		01
04	0521019253	3.6" PIVOT SHAFT		01
05	0503030417	1.7"X 1.4"X 0.14" RH TORSION SPRING		01
06	0503010019	SPRING WASHER 1/2"		01
07	0503010060	HEX NUT 1/2 UNC G.5 ZN		01
08	0503010292	701164 6 X 40 SPRING PIN		01



Item	Code	Description	See page	QT
01	0541060505	SILO SUPPORT ARM		01
02	0541060506	BASE SUPPORT BEAM		01
03	0571019051	FIXER HOPPER WASHER		06
04	0511017302	FLAT WASHER 13.50 X 32.50 X 3.0 ZN		08
05	0503010025	SPRING WASHER 3/8"		06
06	0503010019	SPRING WASHER 1/2"		05
07	0503010026	NUT 3/8"		06
08	0503010060	HEX NUT 1/2 UNC G.5 ZN		08
09	0503013751	BOLT 3/8 UNC X 1.1/4		06
10	0503014378	BOLT 1/2" X 1-1/2"		04
11	0503019293	SCREW 1/2 UNC X 2 COVER G7 ZN		04



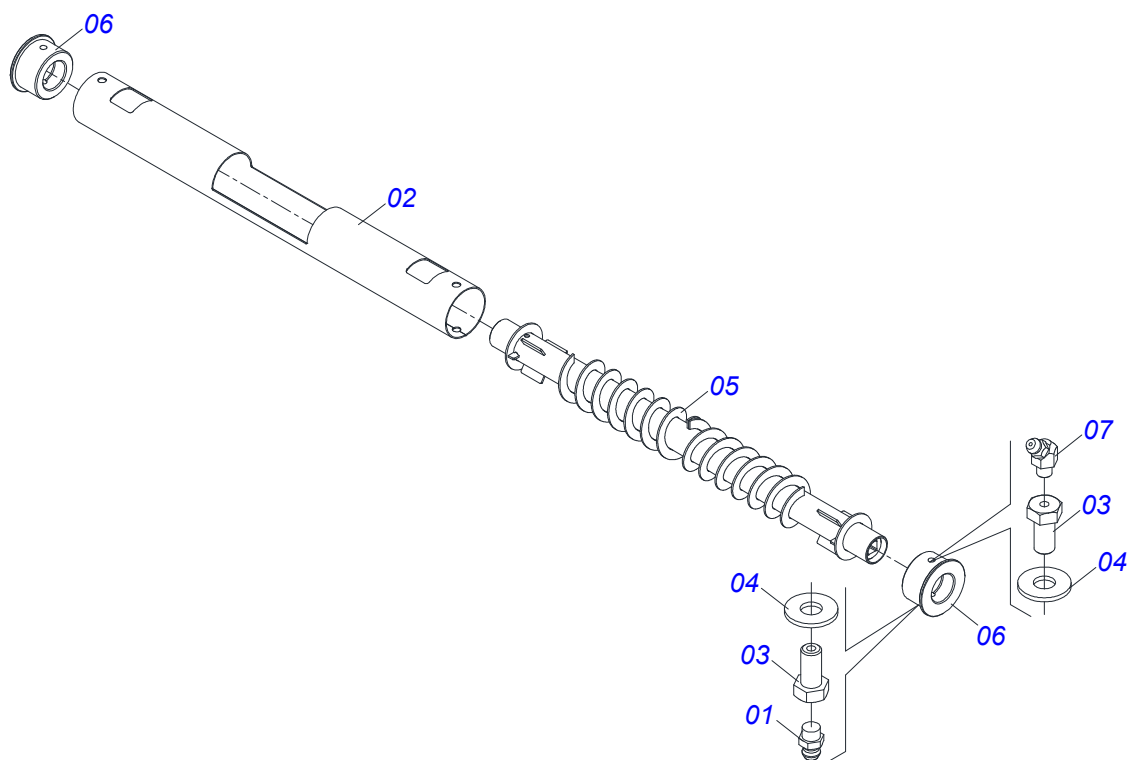
Item	Code	Description	See page	QT
01	0581019207	1250 LTS POLYETHYLENE BOX WITH COVER		01
02	0581019434	HANDLE COVER		01
03	0503032930	DANGER DECAL		04
04	0503037621	ADHESIVE LABEL		01
05	0581019433	ROPE 3/8 X 1400		01
06	0503014255	14 X 22 CLAMP		02
07	0503037498	TATU LOGO DECAL		01
08	0531060218	FERTILIZER BOX SIEVE		01
09	0521054716	ASSY DISPLAY	16	02
10	0503019350	SCREW 5/16 UNC X 2		02
11	0503012530	5/16" INOX NUT		02
12	0503012534	LOCK WASHER		02



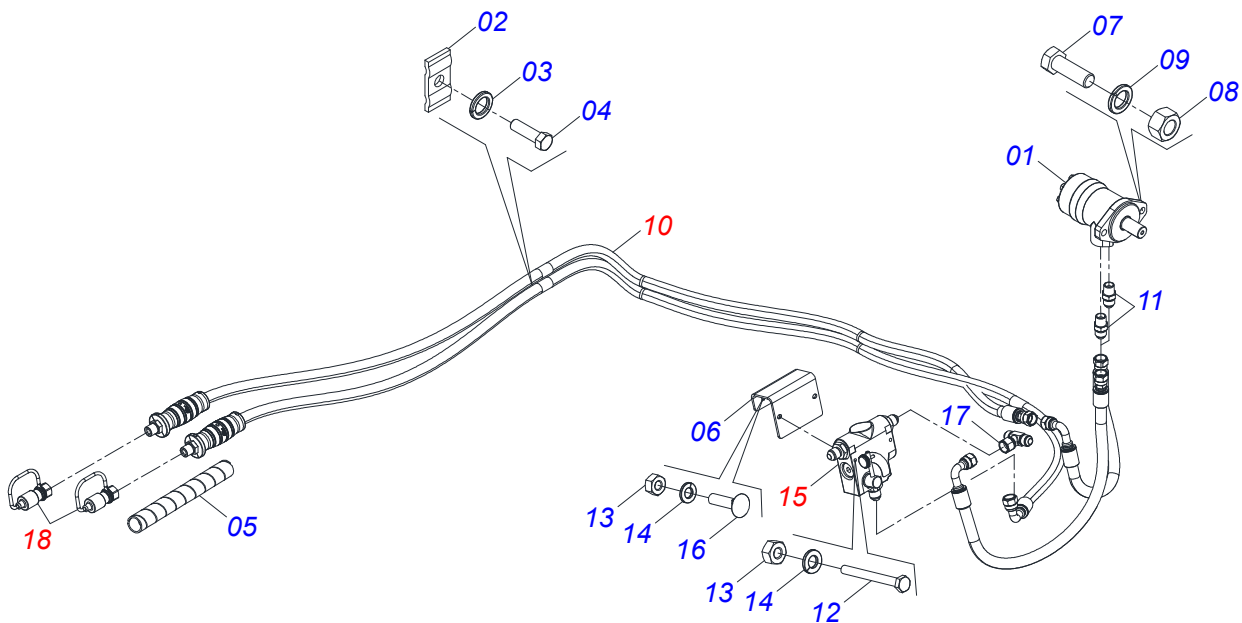
Item	Code	Description	See page	QT
01	0521069461	INTERNAL FIXING RING DISPLAY		01
02	0503034802	RUBBER DISPLAY RING		01
03	0521069459	DISPLAY SUPPORT		01
04	0503015013	3/16 SELF ADJUSTING NUT NC 1K02881		06
05	0503033020	DISPLAY		01

LEFT/RIGHT SILO THREAD DISTRIBUTOR ASSEMBLY

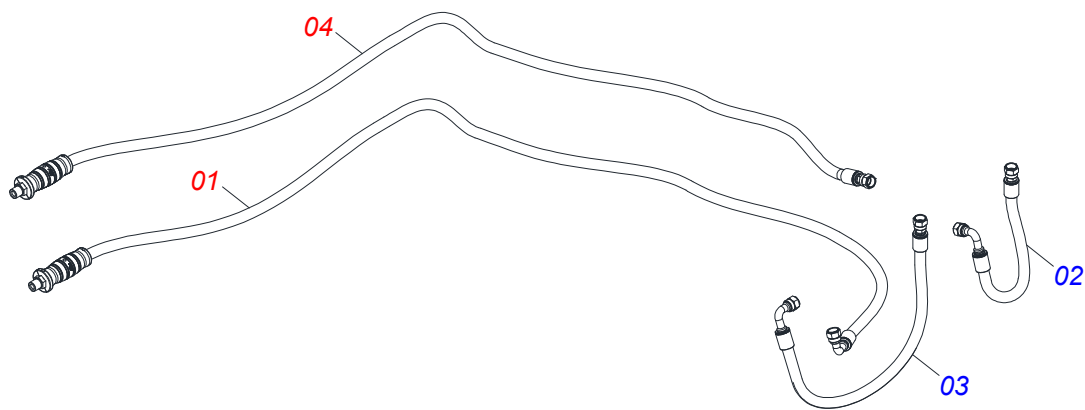
0521056597



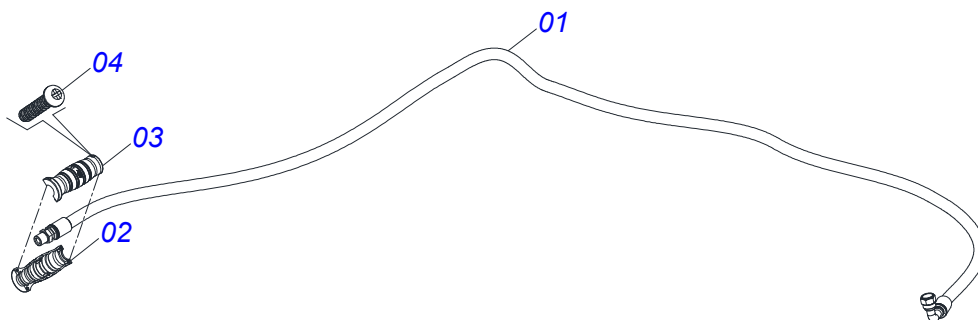
Item	Code	Description	See page	QT
01	0503010691	GREASE FITTING 1/4"		02
02	0551015492	TUBE COATED		01
03	0541014215	BEARING BOLT		04
04	0511017302	FLAT WASHER 13.50 X 32.50 X 3.0 ZN		04
05	0511068620	FERTILIZER CONDUCTOR		01
06	0551015225	FERTILIZER CONDUCTOR BEARING		02
07	0503011099	GREASE FITTING		02



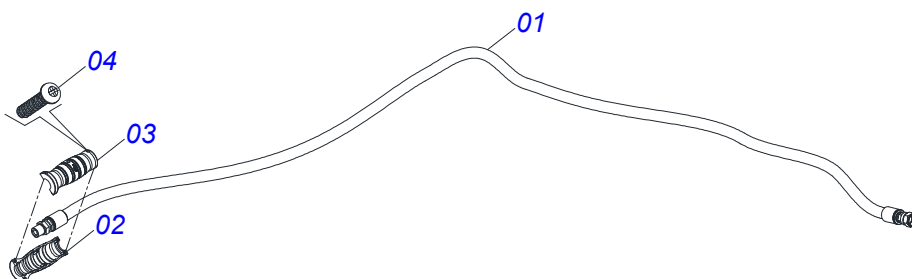
Item	Code	Description	See page	QT
01	0503014364	MOTOR WITH CYLINDER AXLE		01
02	0531011180	SUPPORT		01
03	0503010180	SPRING WASHER 7/16"		01
04	0503011135	BOLT 7/16" UNC X 1.1/2" C S G.5 ZN		01
05	0581012991	SPRING PROTECTION PLASTIC HOSE		01
06	0501419135	SUPPORT FIXING VALVE		01
07	0503010920	1/2 UNC X 1.1/2 C S G.5 ZN BOLT		02
08	0503010060	HEX NUT 1/2 UNC G.5 ZN		02
09	0503010019	SPRING WASHER 1/2"		02
10	009476	HOSE KIT FRAME	19	01
11	0511014065	7/8" NF X R1/2NPT X 52 NIPPLE		02
12	0503011194	BOLT 1/4 UNC X 2.1/2 CS G.2 ZN		02
13	0503010144	1/4" NUT		04
14	0503010143	SPRING WASHER 1/4"		04
15	0541059122	REGULATORY VALVE PFC51-12 C/ NIPLE 7/8NF X 22 R1.1/16 UN		01
16	0513011980	1/4 UNC X 1 CAPQ G2 ZN SCREW		02
17	0503013055	"T" ADAPTOR WITH GIRAT NUT		01
18	0501053834	MALE QUICK COUPLER	23	02



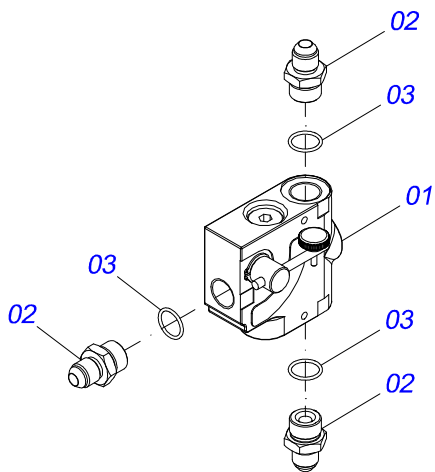
Item	Code	Description	See page	QT
01	0521056751	1/2" X 98" TC-TM HOSE YELLOW/RED	20	01
02	0501080040	1/2" X 19.70" TR-TC HOSE		01
03	0501080123	1/2 X 800 TR-TC HOSE ASSY		01
04	0521056750	HOSE 1/2 X 2500 TC-TM YELLOW/BLUE	21	01



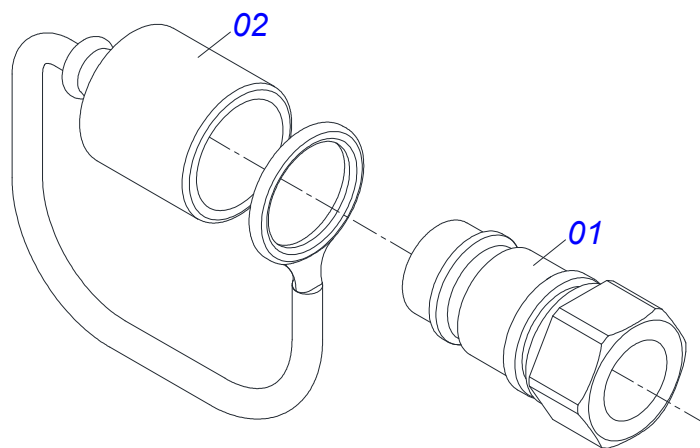
Item	Code	Description	See page	QT
01	0501080097	HOSE 1/2 X 2500 TC-TM		01
02	0503034493	HYDRAULIC HOSE DEPTH (YELLOW)		01
03	0503034495	HYDRAULIC HOSE GRIP (RED)		01
04	0503018952	PLASTIC BOLT PH 2.5 X 10 ZB		06



Item	Code	Description	See page	QT
01	0501080097	HOSE 1/2 X 2500 TC-TM		01
02	0503034493	HYDRAULIC HOSE DEPTH (YELLOW)		01
03	0503034494	HYDRAULIC HOSE GRIP (BLUE)		01
04	0503018952	PLASTIC BOLT PH 2.5 X 10 ZB		06



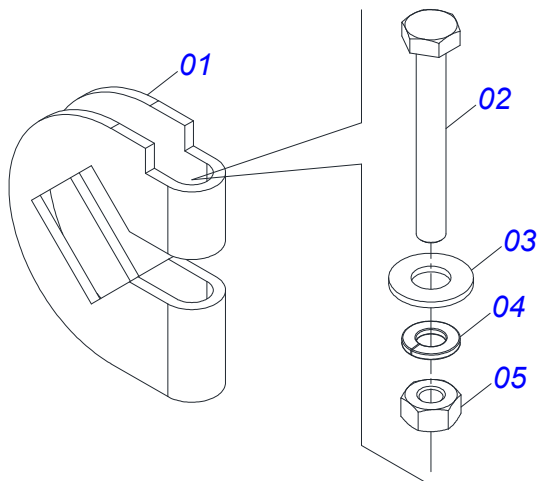
Item	Code	Description	See page	QT
01	0503012160	VALVE		01
02	0511018014	7/8"NF X 1.1/16 UN NIPPLE		03
03	0503011109	O'RING 2-119 N 3006 9B		03



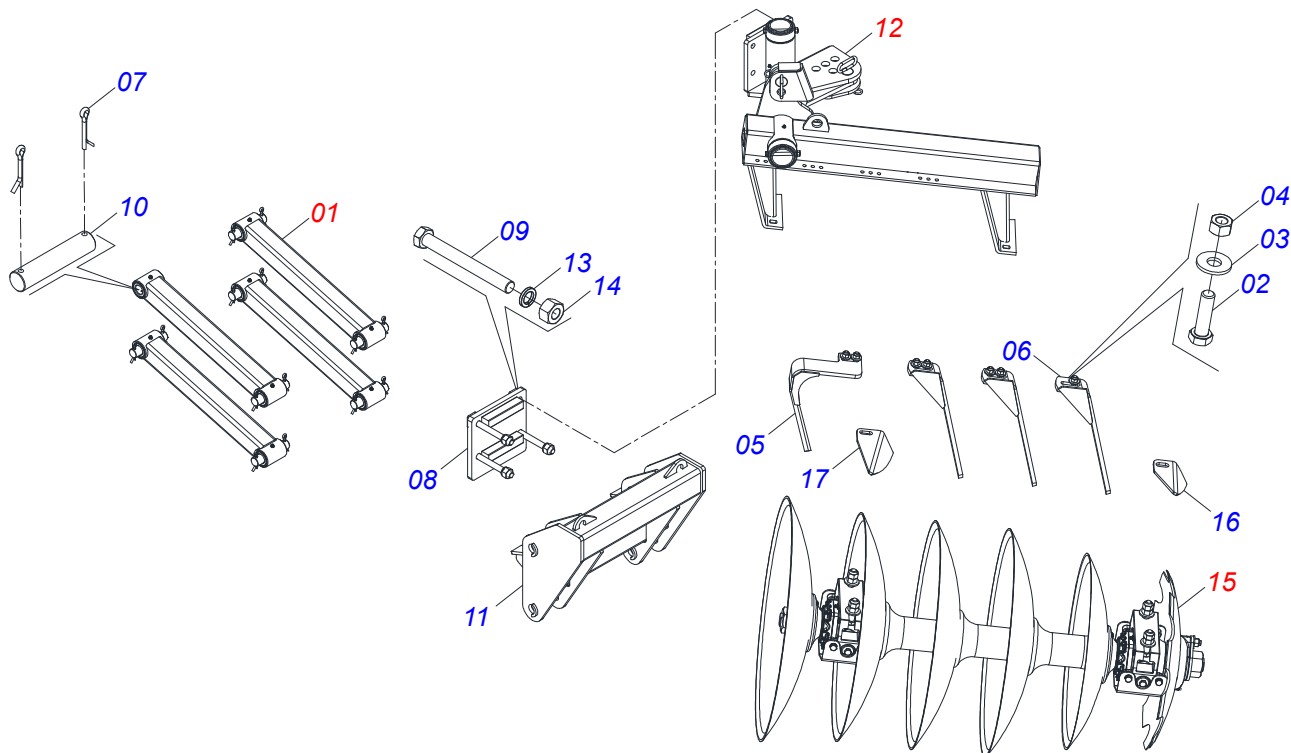
Item	Code	Description	See page	QT
01	0503011627	MALE QUICK COUPLER AGR 1/2 NPT		01
02	0503011882	MALE QUICK COUPLER CAP		01

3/4" SQUARE AXLE FASTENER

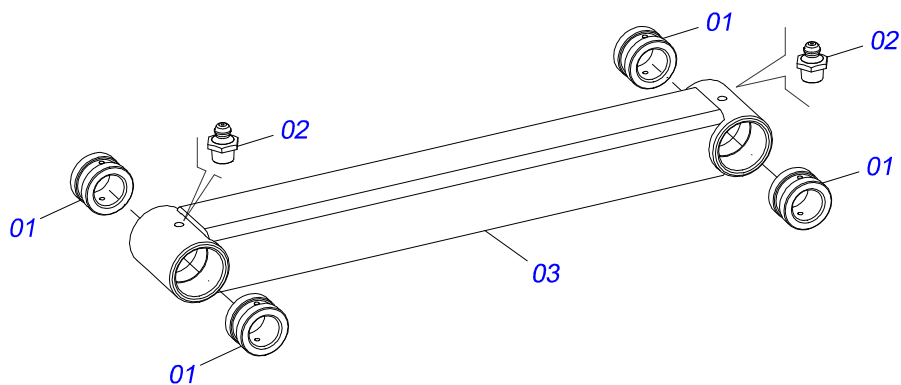
0501053788



Item	Code	Description	See page	QT
01	0521010691	AXLE FASTENER		01
02	0503010373	SCREW 1/4 UNC X 2 CS G.2 ZN		01
03	0511017303	FLAT WASHER		01
04	0503010143	SPRING WASHER 1/4"		01
05	0503010144	1/4" NUT		01



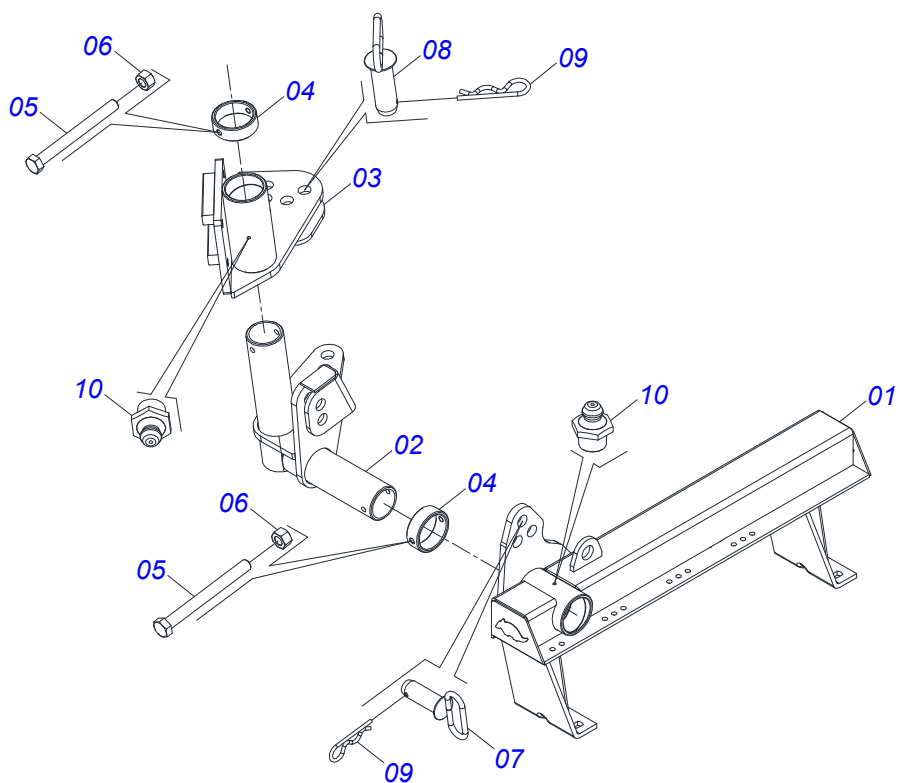
Item	Code	Description	See page	QT
01	0541057695	OSCILLATING ARM	26	04
02	0503011082	C1/2" X 1.3/4" SCREW		08
03	0511017302	FLAT WASHER 13.50 X 32.50 X 3.0 ZN		14
04	0503010060	HEX NUT 1/2 UNC G.5 ZN		08
05	0541060514	RIGHT CLEANER		01
06	0501064167	REAR SCRAPER		03
07	0503010010	1/4" X 2.1/2" SPLIT PIN		16
08	0541061254	BACK PLATE		01
09	0503012729	3/4" X 6-3/4" BOLT		04
10	0551012149	31,75 X 130 AXLE		08
11	0541060512	HORROW FRAME		01
12	009496	FRAME WITH ADJUSTMENT FOR COMPLETE 27 RIGHT DISC		01
13	0503010023	SPRING WASHER 3/4"		04
14	0503010014	HEX NUT 3/4" ZN G.5 (HEAVY) UNC		04
15	009493	DISC SET	28	01
16	0571015396	CLEANER BEARING		01
17	0501419173	FRONT CLEANER/RIGHT REAR (BERING)		01



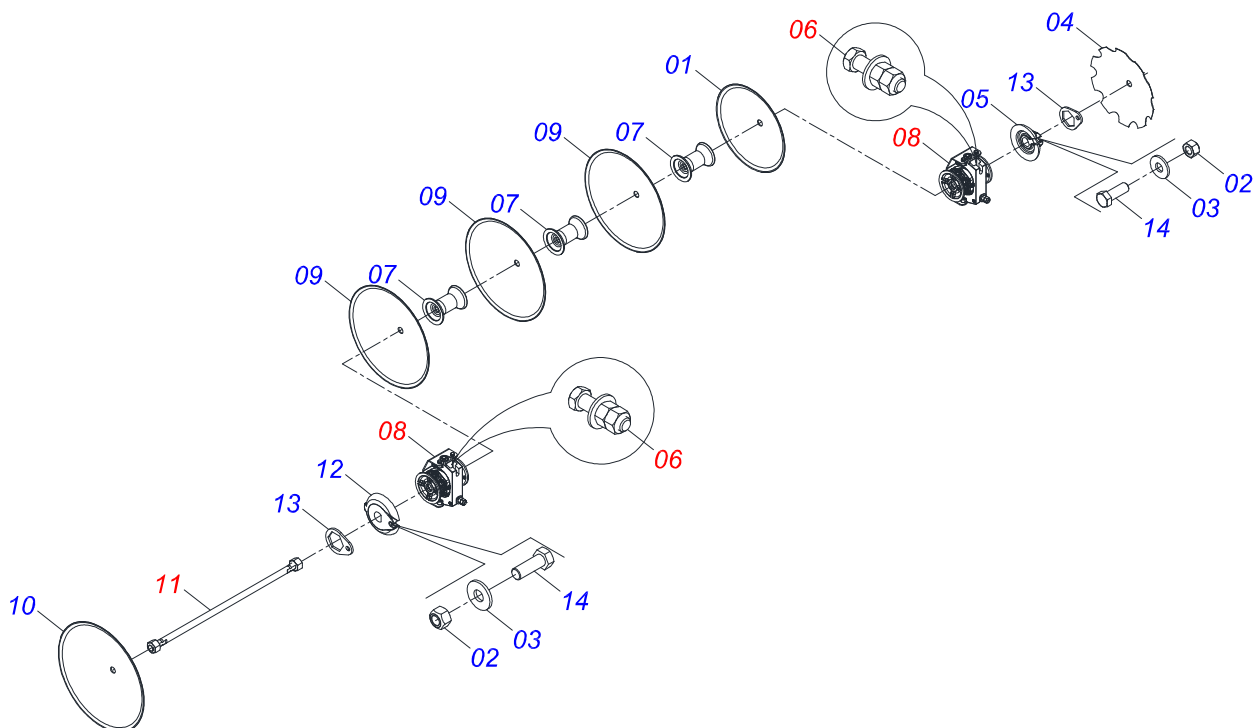
Item	Code	Description	See page	QT
01	0521012122	DRIVER ROCKING SLEEVE SUPPORT		04
02	0503010002	GREASE FITTING 1800		02
03	0541060517	OSCILLATING ARM 550		01

FRAME WITH ADJUSTMENT FOR COMPLETE RIGHT DISC

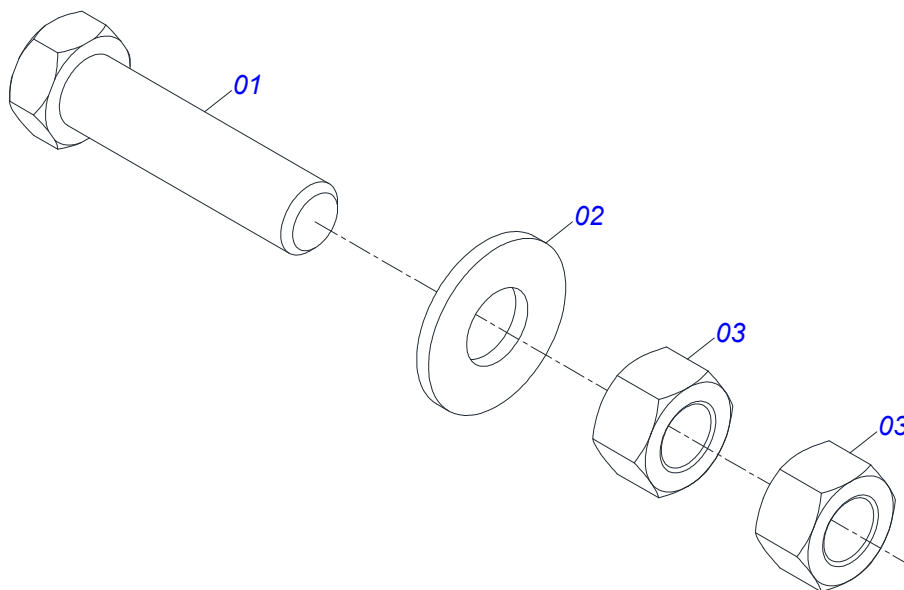
009496



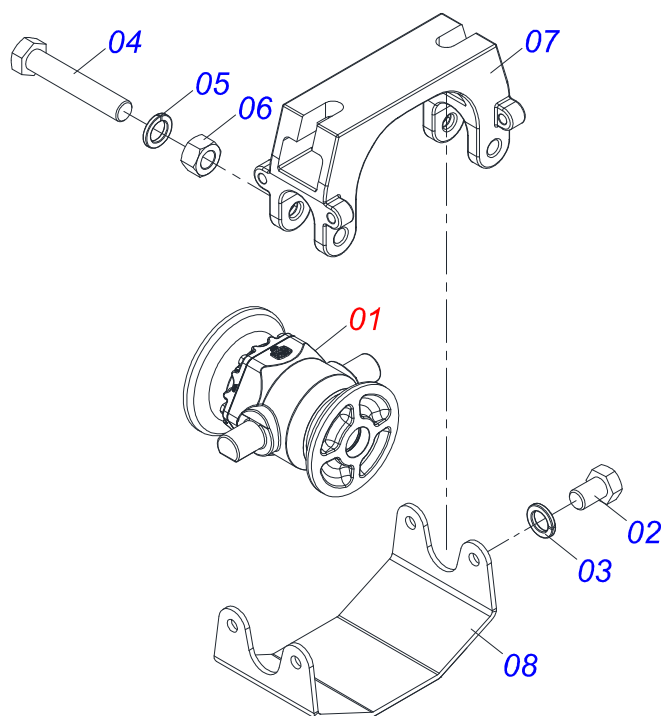
Item	Code	Description	See page	QT
01	009497	SCRAPER SUPPORT RIGHT FRAME		01
02	0511061689	RH REGULATOR		01
03	009837	RIGHT SUPPORT		01
04	0521019001	3.779" X 4.488" X 1.574" SLEEVE		02
05	0503010384	1/2" X 5" BOLT		02
06	0503010060	HEX NUT 1/2 UNC G.5 ZN		02
07	0511061692	COUPLING SHAFT WITH PULL		01
08	0511063518	1.25" X 3.74" COUPLING SHAFT		01
09	0503031035	HITCH PIN CLIP		02
10	0503010002	GREASE FITTING 1800		02



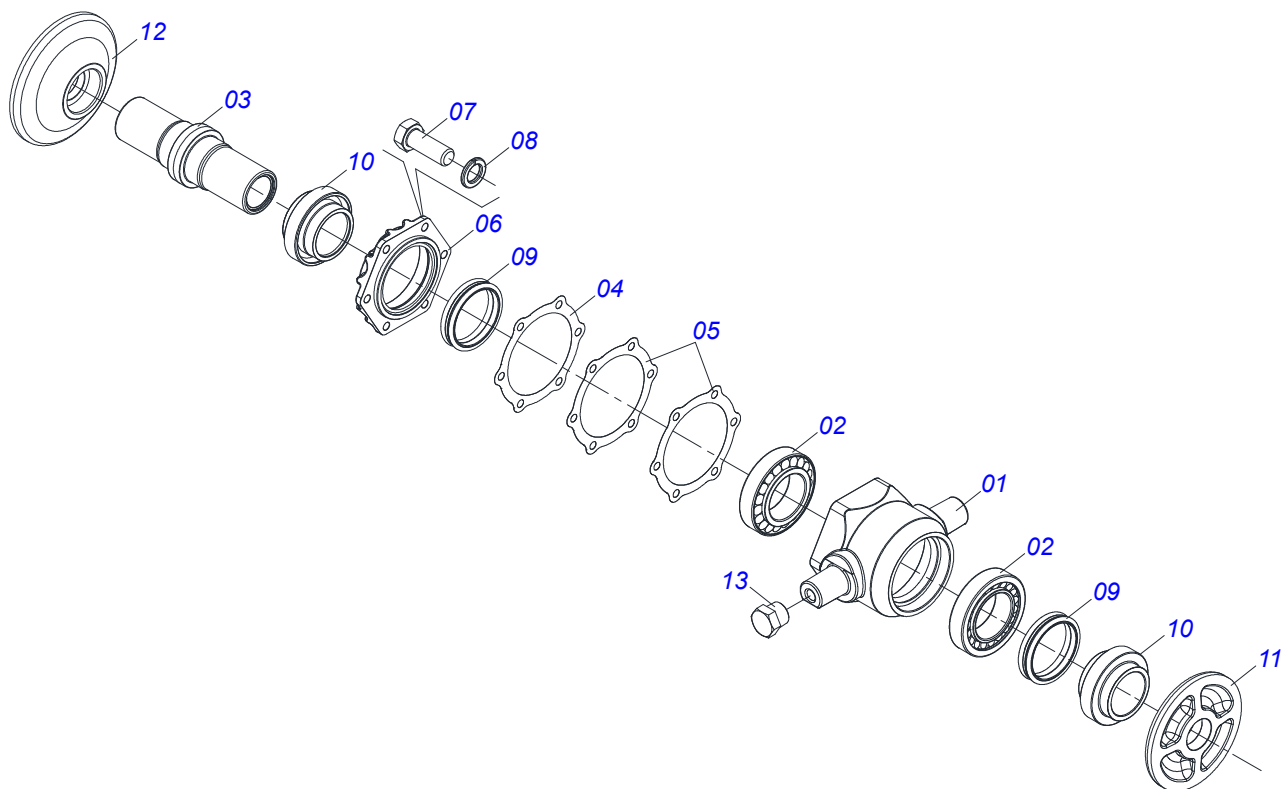
Item	Code	Description	See page	QT
01	0601030005	DL 24X6 C84AF04FR1.11/16 TATU		01
02	0503012412	5/8" UNC SELF LOCKING NUT		02
03	0501012140	FLAT WASHER 16,50 X 40 X 4,00 ZN		02
04	0602029213	28" X 0.2" NOTCHED DISC 10REC		01
05	0502011048	1-5/8" EXTERNAL AXLE WASHER		01
06	0521047424	SCREW ASSY	29	04
07	0502010626	8.9" 1-5/8" SPACER		03
08	0511048374	BEARING WITH SUPPORT PROTECTION	30	02
09	0601039007	28" X 0.2" PLAIN DISC BLADE		03
10	0601042040	DL 30X7,5 C105AF04FR1.11/16 TATU		01
11	0501046855	1-5/8" X 52" AXLE WITH NUTS 2-3/4	32	01
12	1902011047	INNER AXLE WASHER		01
13	0511014339	1-5/8" 2.8" NUT LOCK		02
14	0503010232	BOLT 5/8" X 1.3/4"		02



Item	Code	Description	See page	QT
01	0501010500	3/4" X 3" BOLT		01
02	0501010322	FLAT WASHER 20.50 X 46 X 4.00 ZN		01
03	0503012183	NUT SNC 3/4" ZIN 1K03097		02



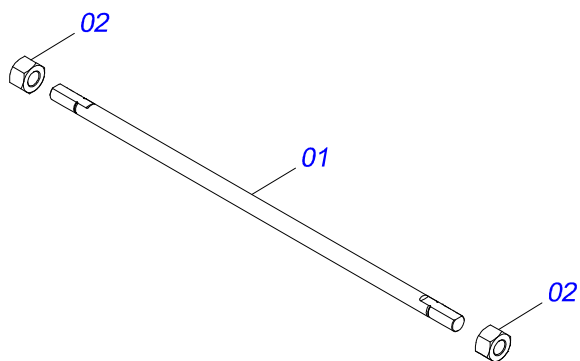
Item	Code	Description	See page	QT
01	0501059734	BEARING DMO 225 X 1.5/8 IMP	31	01
02	0503010834	1/2 X 1 BOLT		04
03	0503010019	SPRING WASHER 1/2"		04
04	0503010762	SCREW 5/8 UNC X 3.1/2 CS G.5 ZN		02
05	0503010027	SPRING WASHER 5/8"		02
06	0503010013	HEX NUT 5/8 UNC G.5 ZN		02
07	0502012626	CENTER OSCILLATING BEARING SUPPORT		01
08	0501213923	BEARING PROTECTION COVER		01



Item	Code	Description	See page	QT
01	0502020691	BEARING HUB		01
02	0503010005	32212 ROLLER BEARING		02
03	0502010899	AXLE CM/DM		01
04	0503030685	5.5" X 4.4" X 0.003" GASKET		01
05	0503030030	5.6" X 4.4" X 0.01" GASKET		02
06	0502020161	WEAR PLATE BEARING		01
07	0503810237	3/8 UNC X 1 C S G.5 SA BOLT		06
08	0503011443	SPRING WASHER 3/8"		06
09	0503030027	DUO-CONE SEAL		02
10	0502040287	SEAL RETAINER		02
11	0502040239	OUTER FLANGE		01
12	0502040240	INNER FLANGE		01
13	0503010856	OIL PLUG R 3/8 BSPT		02

1-5/8" X 52" AXLE WITH NUTS 2-3/4

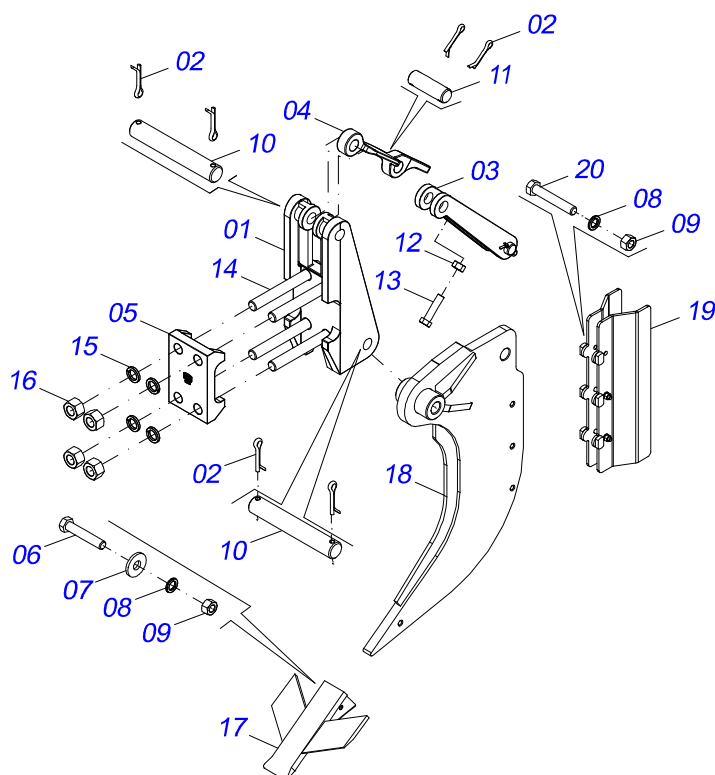
0501046855



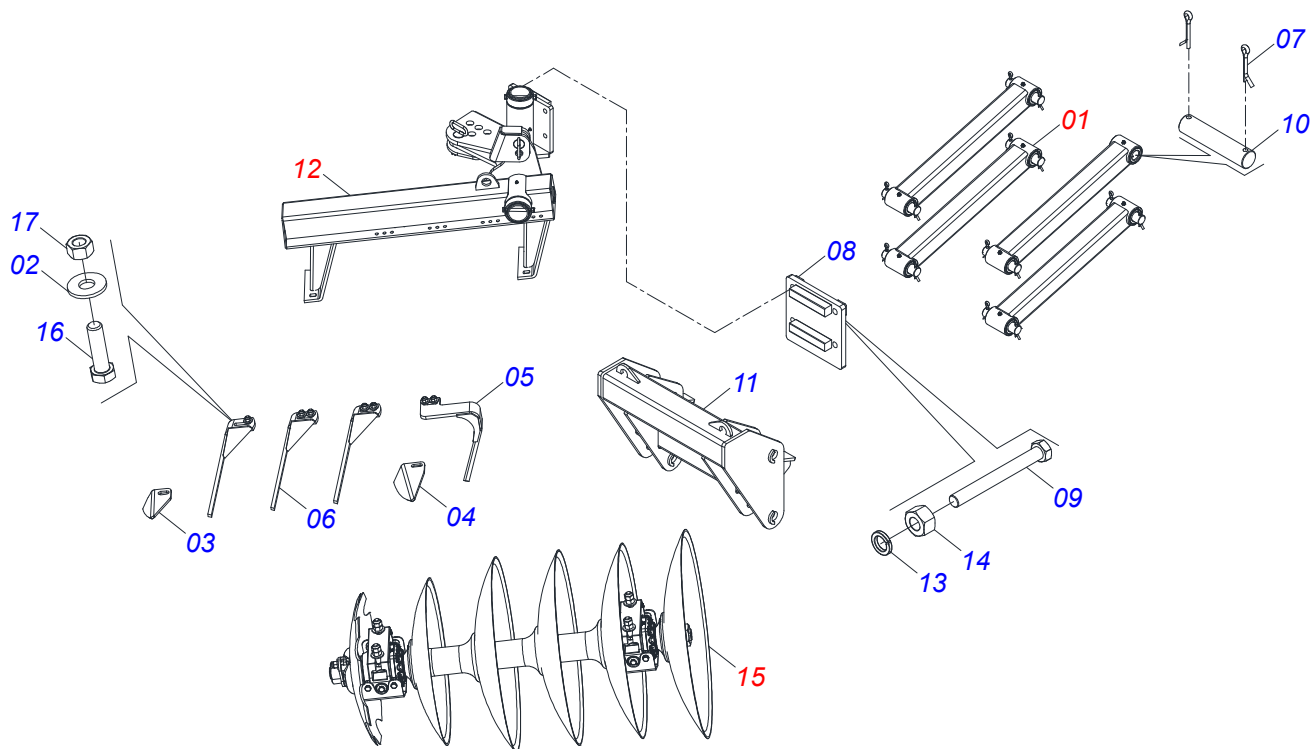
Item	Code	Description	See page	QT
01	0501015237	1-5/8" X 52" AXLE		01
02	0502040640	1.5/8" 2.3/4" NUT		02

SHANK SYSTEM ASSY

0541057647



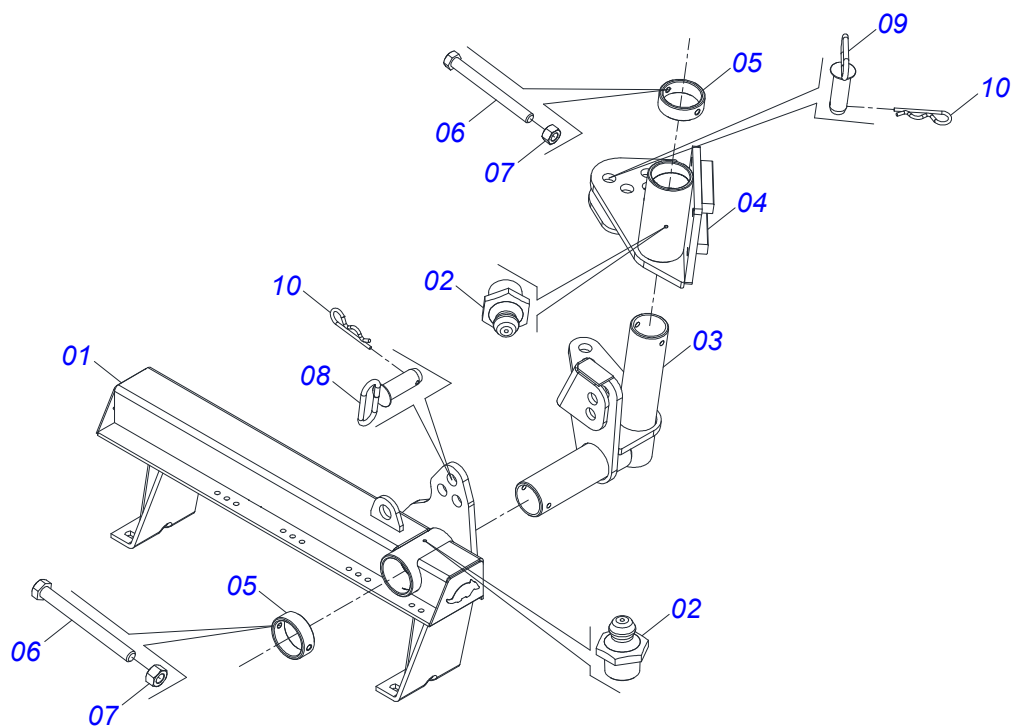
Item	Code	Description	See page	QT
01	0502011165	REAR FIXER		01
02	0503010571	SPLIT PIN 1/4" X 1.1/2"		08
03	0502011164	SUPPORT SPRING		01
04	0521011631	AUTOMATIC RESET		01
05	0502011166	FRONT FIXER		01
06	0503011236	3/8" X 2" BOLT		01
07	0501010984	FLAT WASHER 10.50 X 27 X 3.00		01
08	0503010025	SPRING WASHER 3/8"		04
09	0503010026	NUT 3/8"		04
10	0511015688	28,50X180 COUPLING SHAFT		02
11	0511015689	1.1" X 3.5" COUPLING SHAFT		02
12	0503010244	7/16" NUT		01
13	0503011195	BOLT 7/16" X 1.3/4"		01
14	0511019527	1" X 8" BOLT		04
15	0503010012	SPRING WASHER 1"		04
16	0503010340	1" NUT		04
17	0511067839	POINT PLOW ALADA UNIVERSAL		01
18	0541060493	FURROWER ARM WITH BEATER		01
19	0541060494	HOSE SUPPORT		01
20	0503011179	3/8" X 2-1/4" BOLT		03



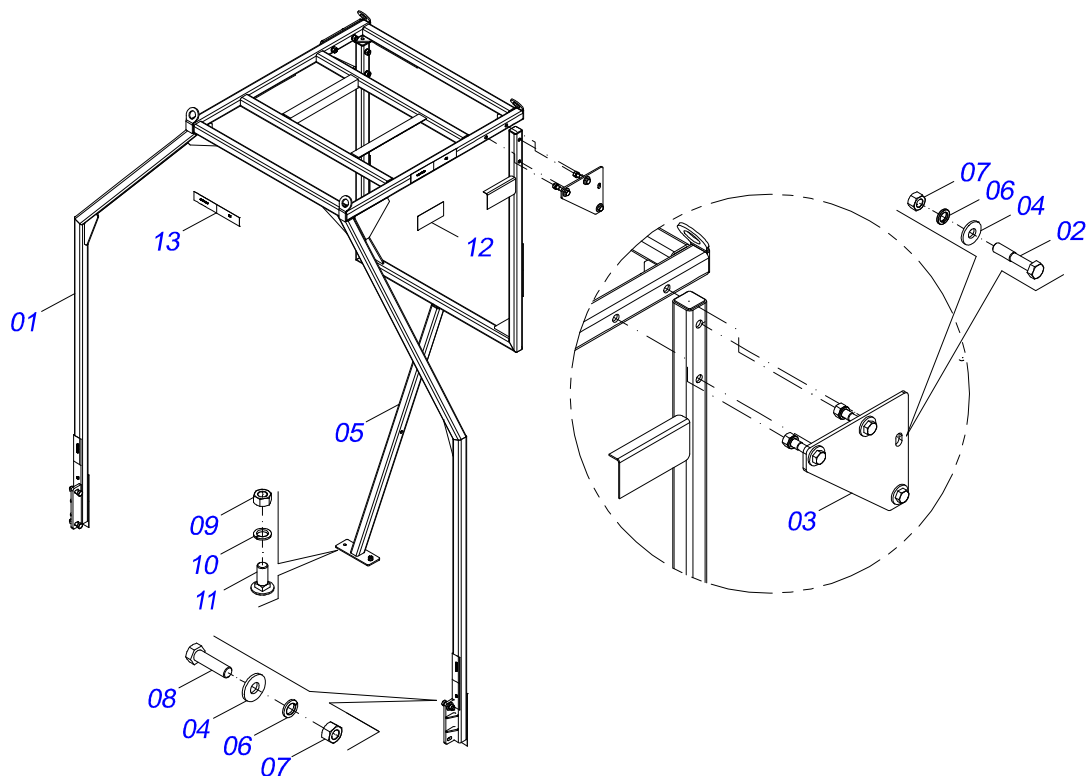
Item	Code	Description	See page	QT
01	0541057695	OSCILLATING ARM	26	04
02	0511017302	FLAT WASHER 13.50 X 32.50 X 3.0 ZN		14
03	0571015395	CLEANER BEARING		01
04	0501419181	LEFT FRONT/REAR OIL BATH BEARING SCRAPER		01
05	0541060518	LARGER DISC LEFT SCRAPER		01
06	0501064168	FRONT SCRAPER		03
07	0503010010	1/4" X 2.1/2" SPLIT PIN		16
08	0541061254	BACK PLATE		01
09	0503012729	3/4" X 6-3/4" BOLT		04
10	0551012149	31,75 X 130 AXLE		08
11	0541060512	HORROW FRAME		01
12	009619	CHASSIS WITH ADJUSTMENT FOR LEFT DISC 35 COMPLETE		01
13	0503010023	SPRING WASHER 3/4"		04
14	0503010014	HEX NUT 3/4" ZN G.5 (HEAVY) UNC		04
15	009493	DISC SET	28	01
16	0503011082	C1/2" X 1.3/4" SCREW		08
17	0503010060	HEX NUT 1/2 UNC G.5 ZN		08

CHASSIS WITH ADJUSTMENT FOR LEFT DISC COMPLETE

009619



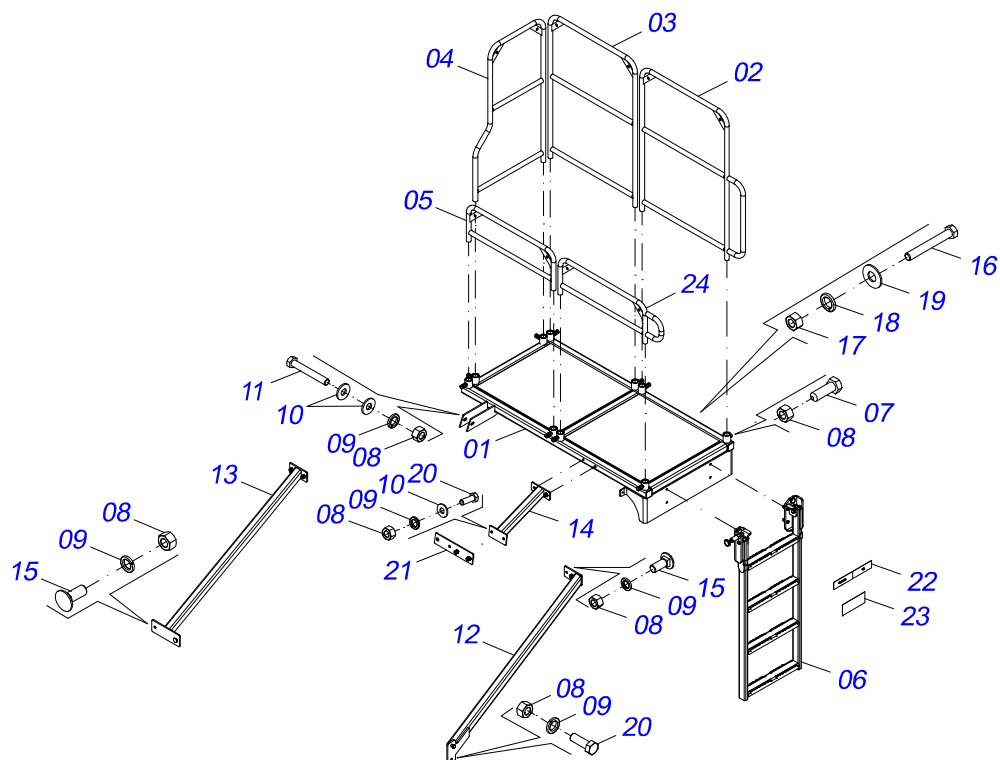
Item	Code	Description	See page	QT
01	009489	SCRAPER SUPPORT LEFT FRAME		01
02	0503010002	GREASE FITTING 1800		02
03	0511061690	LH REGULATOR		01
04	009631	LEFT SUPPORT		01
05	0521019001	3.779" X 4.488" X 1.574" SLEEVE		02
06	0503010384	1/2" X 5" BOLT		02
07	0503010060	HEX NUT 1/2 UNC G.5 ZN		02
08	0511061692	COUPLING SHAFT WITH PULL		01
09	0511063518	1.25" X 3.74" COUPLING SHAFT		01
10	0503031035	HITCH PIN CLIP		02



Item	Code	Description	See page	QT
01	0541061241	SUPPORT BAG		01
02	0503013019	BOLT 5/8 UNC X 3.1/4 C S G.5 ZN		08
03	0501312574	REAR FRENCH UNION PLATE		02
04	0501012140	FLAT WASHER 16,50 X 40 X 4,00 ZN		12
05	0541061240	REAR ATTACHMENT BAR BAG		01
06	0503010027	SPRING WASHER 5/8"		12
07	0503010013	HEX NUT 5/8 UNC G.5 ZN		12
08	0503010899	5/8 UNC X 2.1/4 BOLT		04
09	0503010060	HEX NUT 1/2 UNC G.5 ZN		02
10	0503010019	SPRING WASHER 1/2"		02
11	0503014734	BOLT		02
12	0503032536	ADHESIVE LABEL		01
13	0503013229	REFLECTIVE SIDE BAND		11

PLATAFORM ASSY

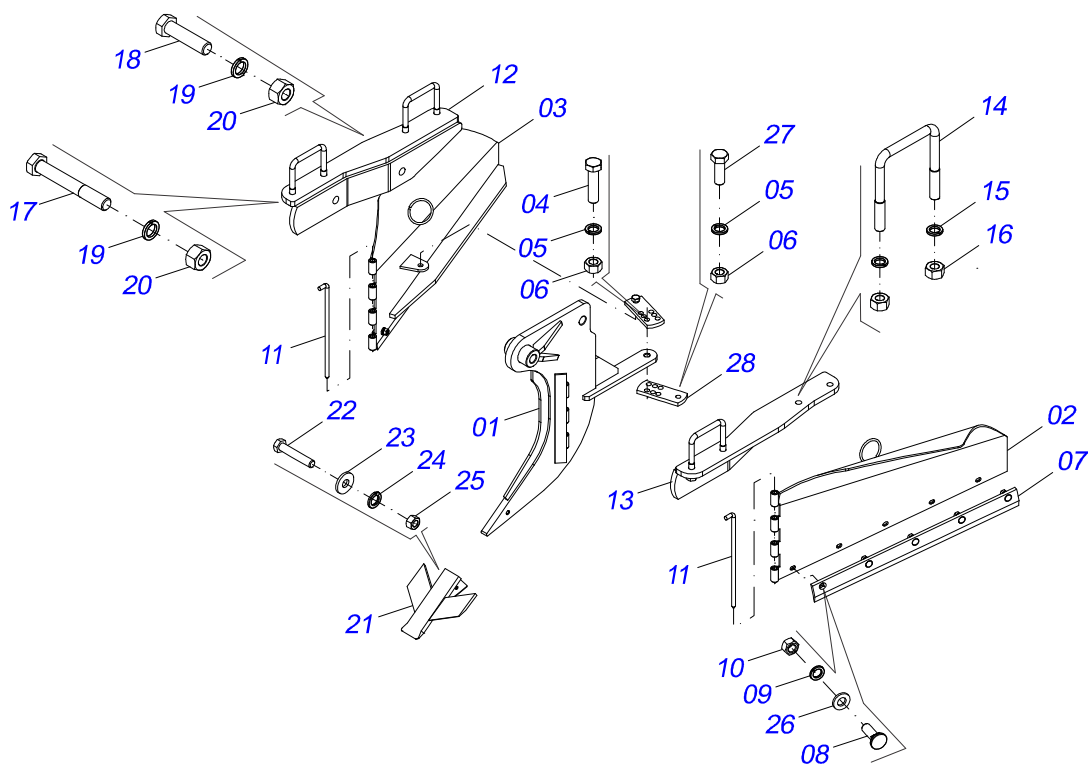
0541057649



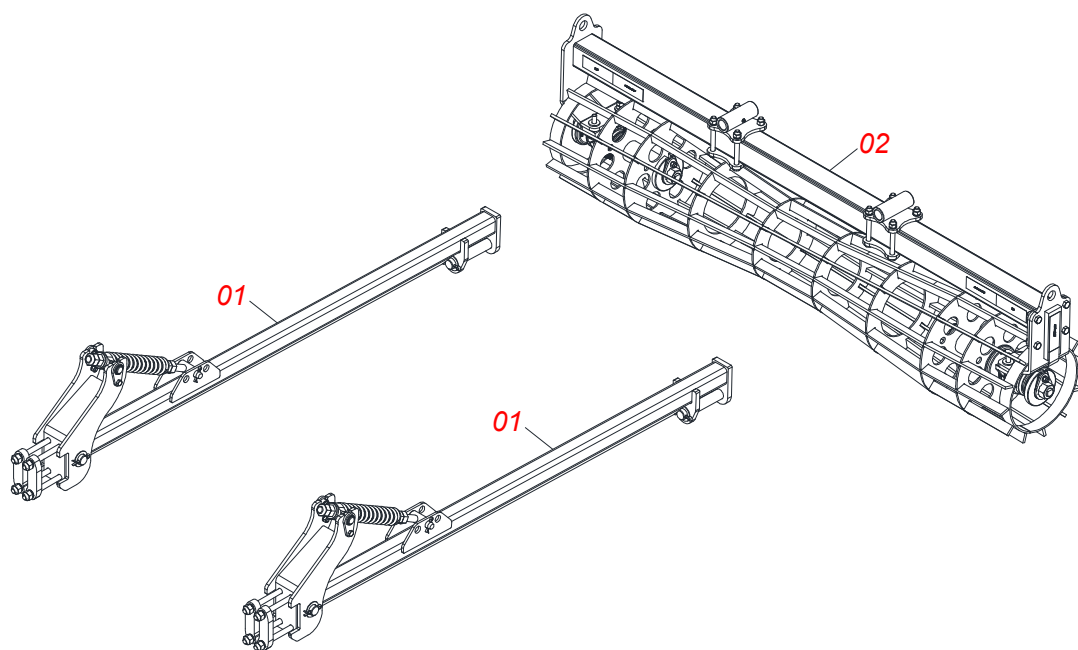
Item	Code	Description	See page	QT
01	0541060500	PLATFORM FLOOR		01
02	0531060221	FRONT HANDRAIL WITH HANDLE		01
03	0531060222	FRONT HANDRAIL		01
04	0531060220	SIDE HANDRAIL		01
05	0531060223	HANDRAIL REAR		01
06	0521056603	COMPLETE MOBILE LADDER		01
07	0503030678	BOLT 1/2 UNC X 1.1/2 CSPC G.5 ZN		10
08	0503010060	HEX NUT 1/2 UNC G.5 ZN		22
09	0503010019	SPRING WASHER 1/2"		12
10	0511017302	FLAT WASHER 13.50 X 32.50 X 3.0 ZN		03
11	0503010752	1/2" X 3.1/2" BOLT		01
12	0541060499	LEFT PLATFORM FIXER		01
13	0541060498	RIGHT PLATFORM FIXER		01
14	0541060497	PLATFORM FIXER		01
15	0503014734	BOLT		06
16	0503011141	BOLT 3/8" X 2-3/4"		02
17	0503010026	NUT 3/8"		02
18	0503010025	SPRING WASHER 3/8"		02
19	0501013518	FLAT WASHER 10.50 X 24 X 1.50 ZN		02
20	0503010920	1/2 UNC X 1.1/2 C S G.5 ZN BOLT		05
21	0501419118	PLATFORM FIXER SUPPORT		01
22	0503013229	REFLECTIVE SIDE BAND		01
23	0503031565	CAUTION TRANSPORTATION DECAL		01
24	0541062151	REAR HANDRAIL		01

FURROWER SHANK ASSY

0541057648



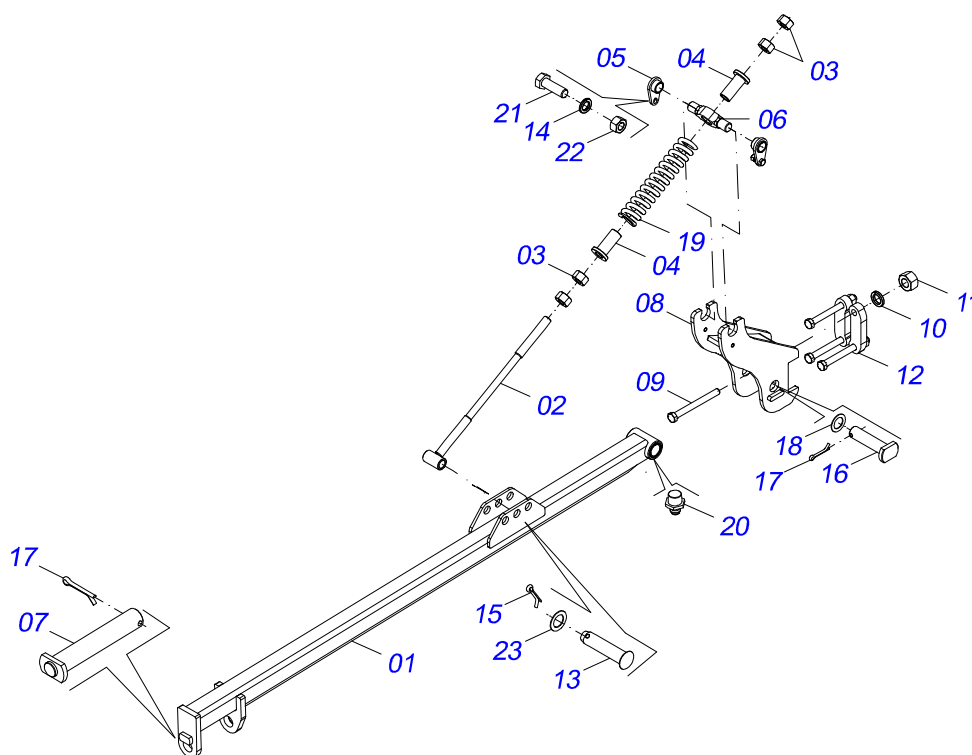
Item	Code	Description	See page	QT
01	0501069713	FURROWER ARM		01
02	0511067530	WING LEFT SET		01
03	0511067531	WING RIGHT SET		01
04	0503010233	5/8 UNC X 2.1/2 CS G.5 ZN BOLT		01
05	0503010027	SPRING WASHER 5/8"		03
06	0503010013	HEX NUT 5/8 UNC G.5 ZN		03
07	0551013447	SCRAPER		02
08	0503012956	1/2" X 1-1/2" BOLT		10
09	0503010019	SPRING WASHER 1/2"		10
10	0503012682	1/2" BSW NUT		10
11	0521012821	PIVOT SHAFT		02
12	0541060495	LEFT FIXER BASE		01
13	0541060496	RIGHT FIXER BASE		01
14	0551019360	3/4 X 155 X 145 FASTENER		04
15	0503010023	SPRING WASHER 3/4"		08
16	0503010014	HEX NUT 3/4" ZN G.5 (HEAVY) UNC		08
17	0501010334	1" X 7" BOLT		01
18	0503011432	BOLT		01
19	0503010012	SPRING WASHER 1"		02
20	0501010059	NUT 1.5/8		02
21	0511067839	POINT PLOW ALADA UNIVERSAL		01
22	0503011236	3/8" X 2" BOLT		01
23	0501010984	FLAT WASHER 10.50 X 27 X 3.00		01
24	0503010025	SPRING WASHER 3/8"		01
25	0503010026	NUT 3/8"		01
26	0521014188	FLAT WASHER		10
27	0503010232	BOLT 5/8" X 1.3/4"		02
28	0551011638	ADJUSTMENT BAR		02



Item	Code	Description	See page	QT
01	0541057763	CLOD BREAKER ROLL ARM ASSY	40	02
02	009208	FULL REEL SHREDDING ROLLER	41	01

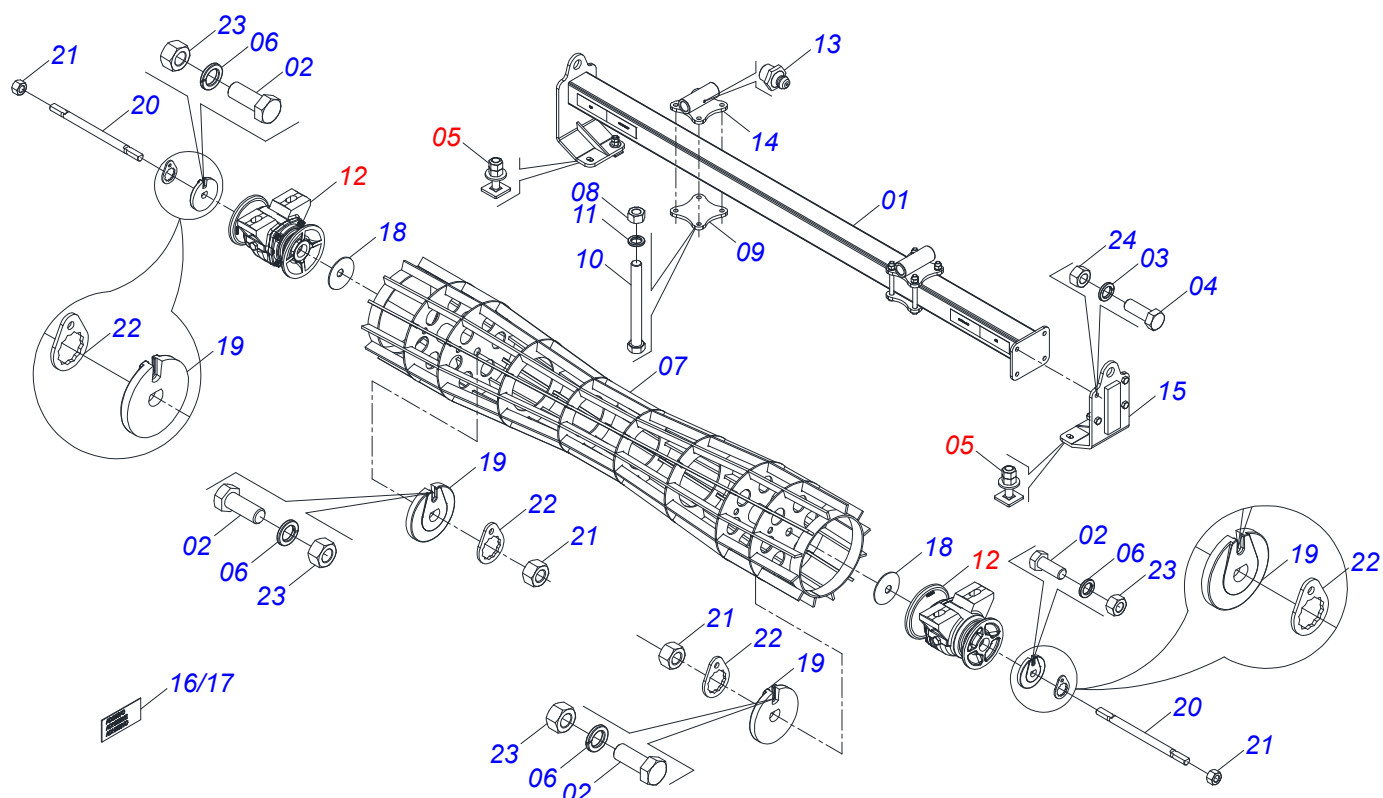
CLOD BREAKER ROLL ARM ASSY

0541057763

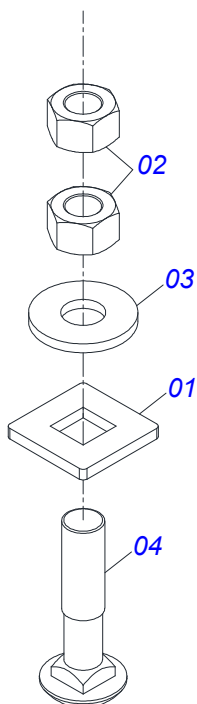


Item	Code	Description	See page	QT
01	0541060511	CLOD BREAKER ROLL ARM		01
02	0521065532	SPRING ROD		01
03	0501010059	NUT 1.5/8		04
04	0571011377	SPRING GUIDE SLEEVE		02
05	0521063151	TRUNNION LOCK ARTICULATOR SPRING ROD		02
06	0571011378	TRUNNION ARTICULATOR SPRING ROD		01
07	0521062685	ARTICULATION AXIS		01
08	0521065529	ROLLER FIXATION SUPPORT		01
09	0503014744	3/4 UNF X 7.1/2 C S G.7 ZN BOLT		04
10	0503010023	SPRING WASHER 3/4"		04
11	0503010335	3/4 NUT		04
12	0571011609	DISC BLADE FIXER PLATE		02
13	0521010578	COUPLING SHAFT		01
14	0503010019	SPRING WASHER 1/2"		02
15	0503010523	1/4 X 2 SPLIT PIN		01
16	0521010808	1.4" X 5.8" COUPLING SHAFT		01
17	0503012267	5/16" X 3" SPLIT PIN		02
18	0511019685	FLAT WASHER		02
19	0503031575	COMPRESSION SPRING		01
20	0503010002	GREASE FITTING 1800		01
21	0503010920	1/2 UNC X 1.1/2 C S G.5 ZN BOLT		02
22	0503010060	HEX NUT 1/2 UNC G.5 ZN		02
23	0511015346	FLAT WASHER		01

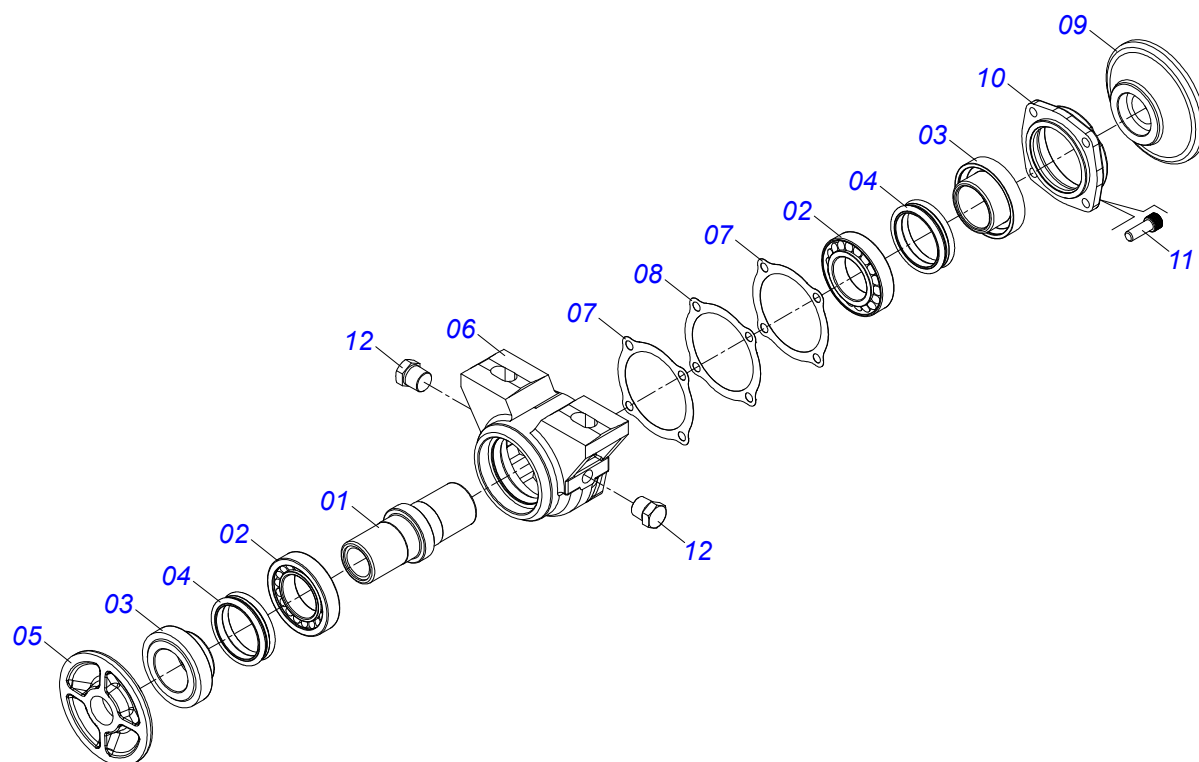
FULL REEL SHREDDING ROLLER



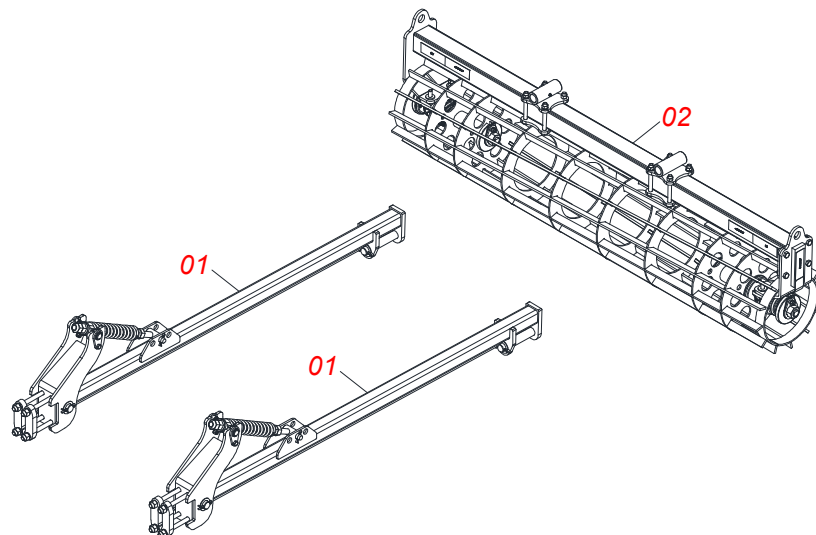
Item	Code	Description	See page	QT
01	0521065480	BREAK ROLLER SUPPORT		01
02	0501010161	BOLT 1/2" UNC X 1.1/4" C S G.2 ZN		04
03	0503011445	SPRING WASHER		04
04	0503010232	BOLT 5/8" X 1.3/4"		04
05	0501058802	5/8 UNC X 2.3/4 BOLT ASSY	42	04
06	0503011440	SPRING WASHER		04
07	009209	REEL BREAK ROLLER		01
08	0503010013	HEX NUT 5/8 UNC G.5 ZN		08
09	0571017230	FIXER PLATE		02
10	0501013867	BOLT 5/8" UNC X 6 CS G.5 ZN		08
11	0503010027	SPRING WASHER 5/8"		08
12	0501046922	AGRICULTURAL BEARING DM OL 7 X 1.1/4 43 IMPLEMENT		02
13	0503010002	GREASE FITTING 1800		02
14	0521065253	ROLLER FIXER		02
15	0521062673	BRACKET MOBILE FIXER ROLLER		01
16	0503013229	REFLECTIVE SIDE BAND		02
17	0503013229	REFLECTIVE SIDE BAND		04
18	0531018575	WASHER CONCAVE		02
19	1902010835	1-1/4" EXTERNAL AXLE WASHER		04
20	0501010752	1.1/4 X 500 AXLE		02
21	0501010087	1.1/4" NUT		04
22	0501010455	1.1/4" NUT LOCK		04
23	0503010060	HEX NUT 1/2 UNC G.5 ZN		04
24	0503010013	HEX NUT 5/8 UNC G.5 ZN		04



Item	Code	Description	See page	QT
01	0501010947	5/8 NUT LOCK		01
02	0503010013	HEX NUT 5/8 UNC G.5 ZN		02
03	0501012140	FLAT WASHER 16,50 X 40 X 4,00 ZN		01
04	0503015154	5/8" X 2.3/4" BOLT		01



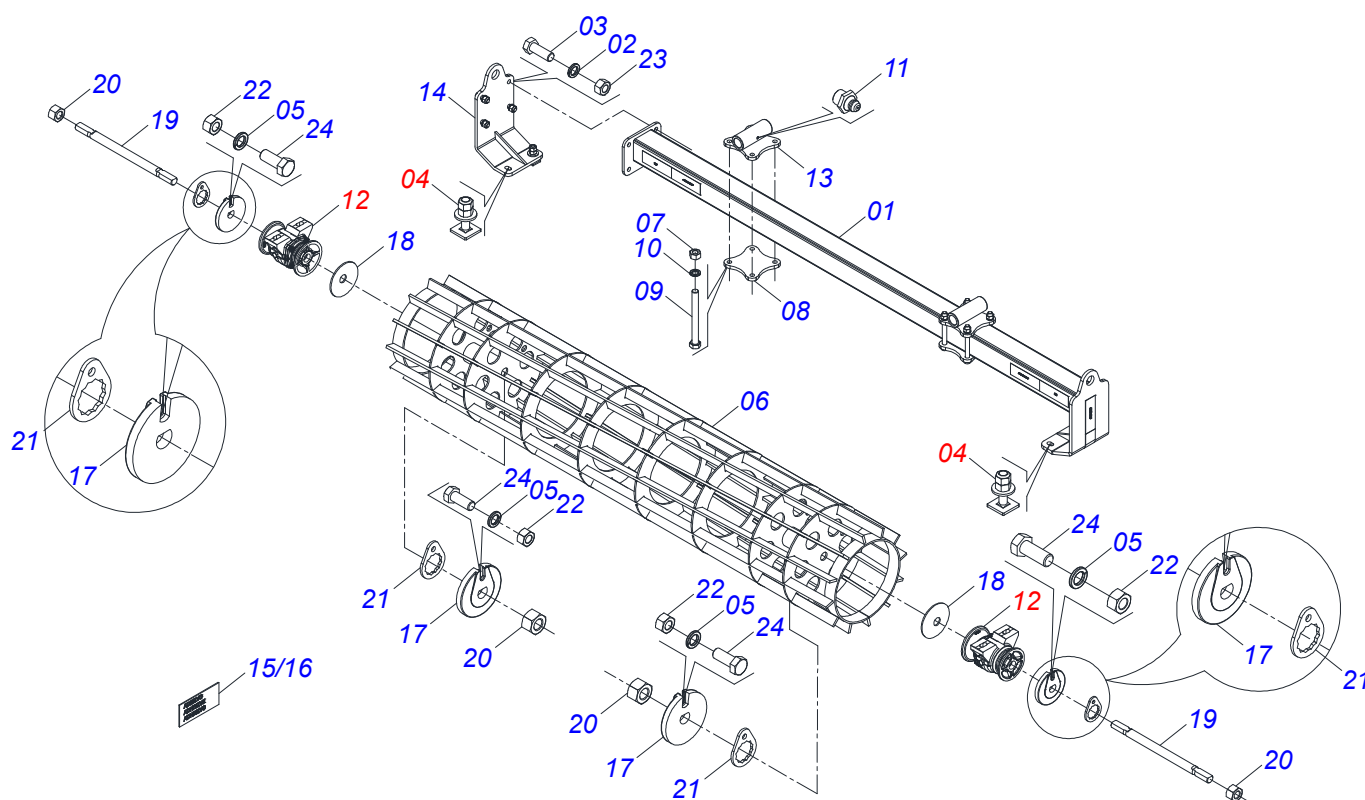
Item	Code	Description	See page	QT
01	0502040218	AXLE		01
02	0503010111	30210 ROLLER BEARING		02
03	0502010541	SEAL HOLDER		02
04	0503030026	SEAL LP JB-253		02
05	0502010071	INNER FLANGE		01
06	0502010540	HOUSING DM		01
07	0503030013	4.4" X 3.5" X 0.004" JOINT		02
08	0503030684	4.4" X 3.5" X 0.004" JOINT		01
09	0502010070	OUTER FLANGE		01
10	0502020424	HOUSING CAP 182/192,225		01
11	0503010134	3/8" X 1" BOLT		04
12	0503010856	OIL PLUG R 3/8 BSPT		02



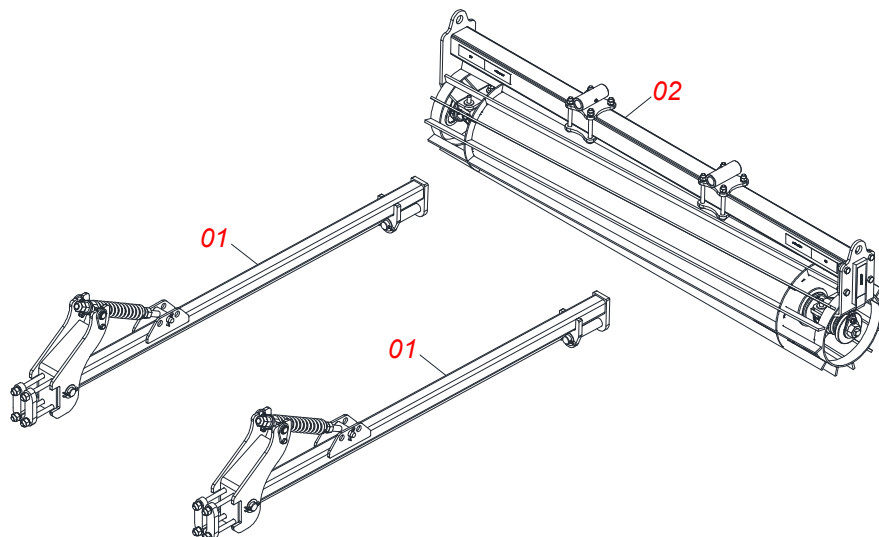
Item	Code	Description	See page	QT
01	0541057763	CLOD BREAKER ROLL ARM ASSY	40	
02	0521044951	BREAK ROLLER	45	

BREAK ROLLER

0521044951



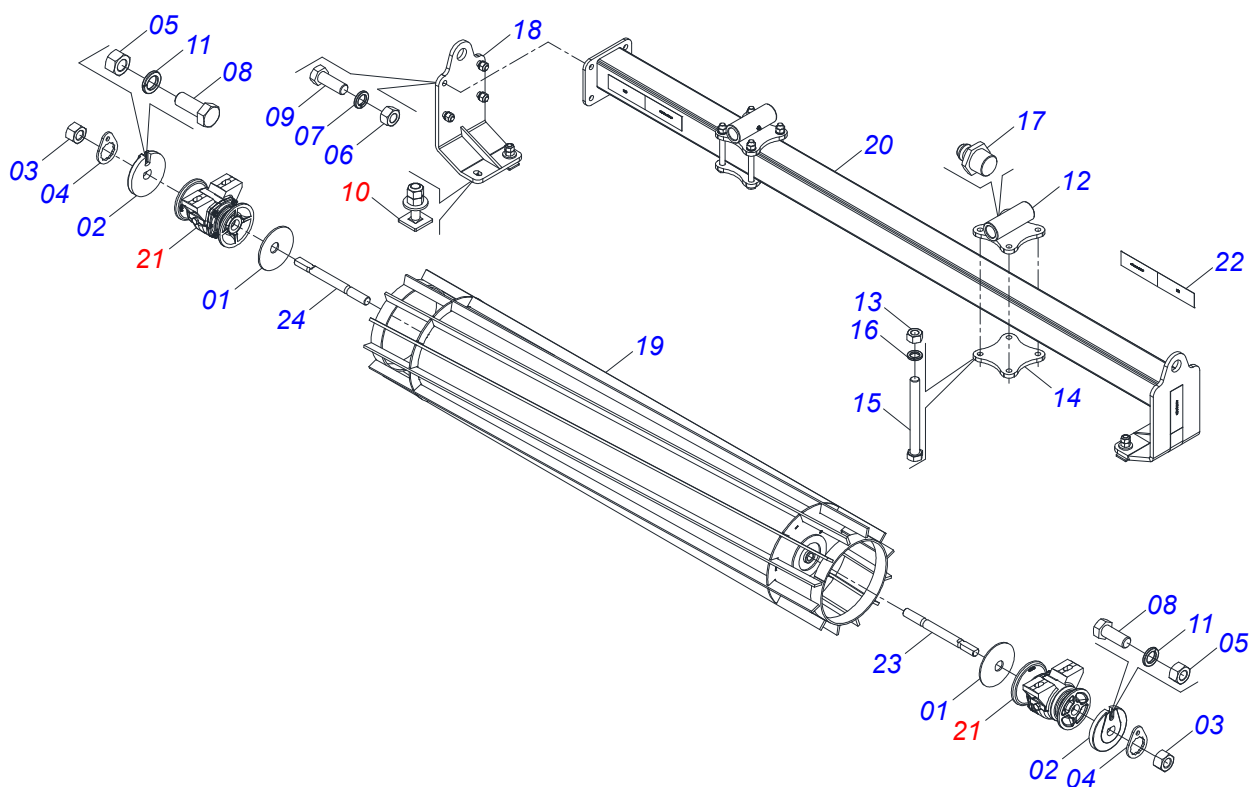
Item	Code	Description	See page	QT
01	0521065480	BREAK ROLLER SUPPORT		01
02	0503011445	SPRING WASHER		04
03	0503010232	BOLT 5/8" X 1.3/4"		04
04	0501058802	5/8 UNC X 2.3/4 BOLT ASSY	42	04
05	0503011440	SPRING WASHER		04
06	0521065479	DESTROYER ROLLER 2290		01
07	0503010013	HEX NUT 5/8 UNC G.5 ZN		08
08	0571017230	FIXER PLATE		02
09	0501013867	BOLT 5/8" UNC X 6 CS G.5 ZN		08
10	0503010027	SPRING WASHER 5/8"		08
11	0503010002	GREASE FITTING 1800		02
12	0501046922	AGRICULTURAL BEARING DM OL 7 X 1.1/4 43 IMPLEMENT		02
13	0521065253	ROLLER FIXER		02
14	0521062673	BRACKET MOBILE FIXER ROLLER		01
15	0503013229	REFLECTIVE SIDE BAND		02
16	0503013229	REFLECTIVE SIDE BAND		04
17	0502010835	1-1/4" EXTERNAL AXLE WASHER		04
18	0531018575	WASHER CONCAVE		02
19	0501010752	1.1/4 X 500 AXLE		02
20	0501010087	1.1/4" NUT		04
21	0501010455	1.1/4" NUT LOCK		04
22	0503010060	HEX NUT 1/2 UNC G.5 ZN		04
23	0503010013	HEX NUT 5/8 UNC G.5 ZN		04
24	0501010161	BOLT 1/2" UNC X 1.1/4" C S G.2 ZN		04



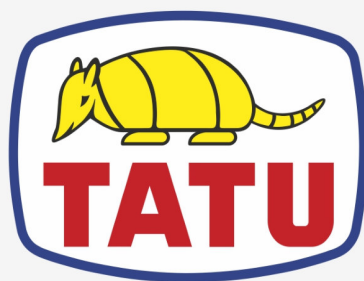
Item	Code	Description	See page	QT
01	0541057763	CLOD BREAKER ROLL ARM ASSY	40	02
02	0551050129	CLOD BREAKER ROLL ASSY	47	01

CLOD BREAKER ROLL ASSY

0551050129



Item	Code	Description	See page	QT
01	0531018575	WASHER CONCAVE		02
02	1902010835	1-1/4" EXTERNAL AXLE WASHER		02
03	0501010087	1.1/4" NUT		01
04	0501010455	1.1/4" NUT LOCK		02
05	0503010060	HEX NUT 1/2 UNC G.5 ZN		02
06	0503010013	HEX NUT 5/8 UNC G.5 ZN		04
07	0503011445	SPRING WASHER		04
08	0501010161	BOLT 1/2" UNC X 1.1/4" C S G.2 ZN		02
09	0503010232	BOLT 5/8" X 1.3/4"		04
10	0501058802	5/8 UNC X 2.3/4 BOLT ASSY	42	04
11	0503011440	SPRING WASHER		02
12	0521065253	ROLLER FIXER		02
13	0503010013	HEX NUT 5/8 UNC G.5 ZN		08
14	0571017230	FIXER PLATE		02
15	0501013867	BOLT 5/8" UNC X 6 CS G.5 ZN		08
16	0503010027	SPRING WASHER 5/8"		08
17	0503010002	GREASE FITTING 1800		02
18	0521062673	BRACKET MOBILE FIXER ROLLER		01
19	0541061859	CLOD BREAKER ROLL		01
20	0521065480	BREAK ROLLER SUPPORT		01
21	0501046922	AGRICULTURAL BEARING DM OL 7 X 1.1/4 43 IMPLEMENT		02
22	0503013229	REFLECTIVE SIDE BAND		06
23	0501513572	1.1/4 X 358 RIGHT AXLE		01
24	0501513573	1/4 X 358 LEFT AXLE		01



MARCHESAN

Technical Publications | Elaboration and Revision

DANIELE DA COSTA ANTONIO

www.marchesan.com.br

