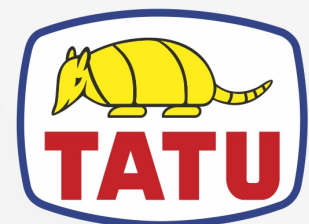


ROTARY CUTTERS

KAPINA CLASSIC 1700

Code: 0501094238
Series: S-0925
Revision: 00
Revision Date: MARCH/2026

PARTS CATALOGUE



MARCHESAN



PRODUCTS

Code	Working Width	Description
0104120120		KAPINA CLASSIC 1700 CM C/R S-0925
0104120118		KAPINA CLASSIC 1700 CM S/R S-0925
0104120105		KAPINA CLASSIC 1700 DM C/R S-0925
0104120119		KAPINA CLASSIC 1700 DM S/R S-0925

ATTENTION: IMPORTANT

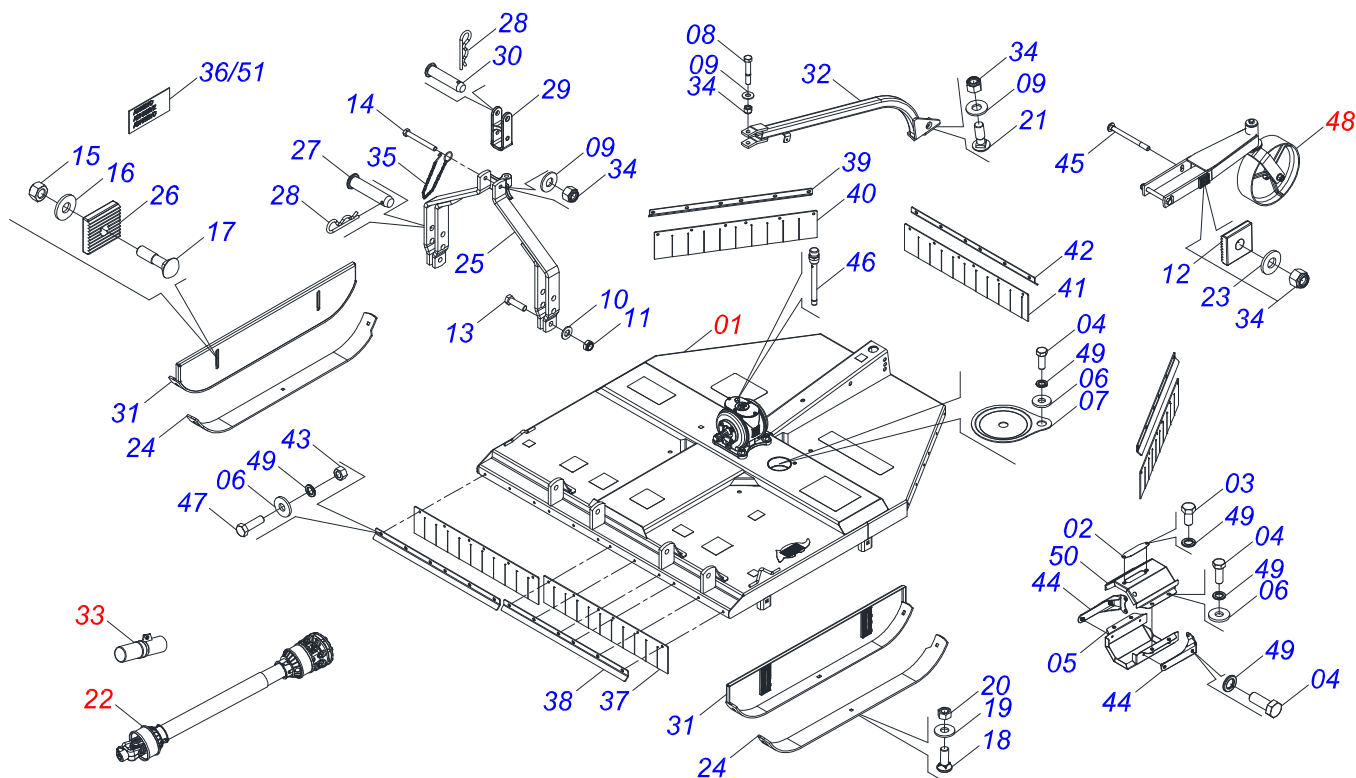
Marchesan S.A. reserves the right to improve and/or modify the technical features of its products, without obligation to do the same with those products already sold and without prior knowledge of the dealer or the customer. The photos are only illustrative.



MARCHESAN

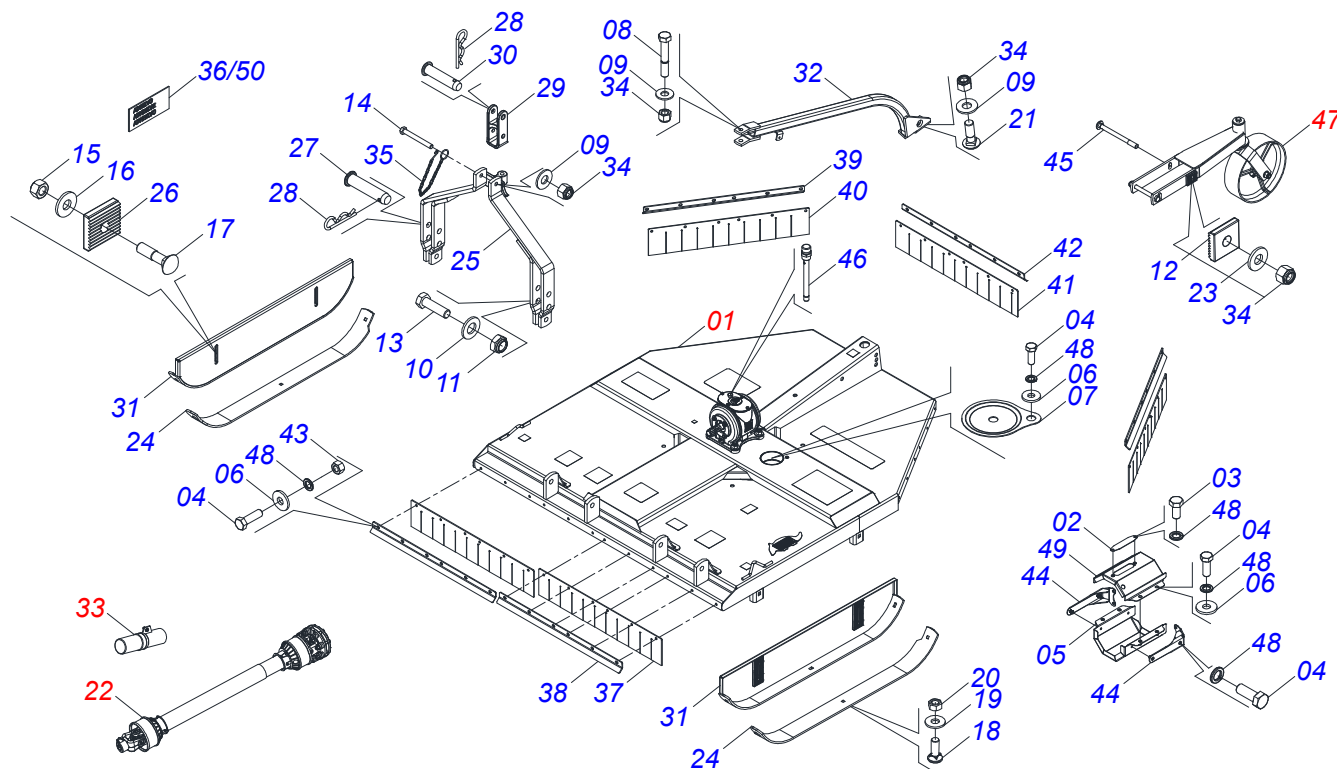
INDEX

0521047634	ASSY FRAME DM WITH WHEEL	1
0531048301	ASSY FRAME CM WITH WHEEL	2
0531048299	ASSY FRAME CM WITHOUT WHEEL	3
0531048300	ASSY FRAME DM WITHOUT WHEEL	4
0541053478	SEMIFINISHED FRAME	5
0551051058	SEMIFINISHED FRAME CM	6
0501056337	SUPPORT	7
0501047949	DRIVE SHAFT	8
0501043660	FRICION 90 KG/M	9
0521051872	DOOR ASSY INSTRUCTION MANUAL	10
0531041649	RIGHT CARRYING WHEELS ASSEMBLY	11
0501058460	CARRYING WHEELS	12
0521051106	SUPPORT 540 WITH ROCADOR 620 CM	13



Item	Code	Description	See page	QT
01	0541053478	SEMIFINISHED FRAME	5	01
02	0581012546	LUBRICATION AXIS TRANSMISSION		01
03	0503010256	3/8" X 3/4" BOLT		02
04	0503010237	BOLT 3/8" X 1"		13
05	0501111144	BOTTOM PROTECTION COVER COUPLING WITH RIVET		01
06	0501010984	FLAT WASHER 10.50 X 27 X 3.00		39
07	0591012025	ACCESS COVER		01
08	0501010216	3/4 UNC X 4.1/2 C S G.5 ZN BOLT		01
09	0501010322	FLAT WASHER 20.50 X 46 X 4.00 ZN		03
10	0511015994	FLAT WASHER		02
11	0503014182	SELF-ADJUSTING NUT		02
12	0581019983	SCREW RACK 3/4 GR		01
13	0501010171	BOLT 1 UNC X 3.1/2 C S G.5		02
14	0501011545	3/4" X 6-1/2" BOLT		01
15	0503012412	5/8" UNC SELF LOCKING NUT		04
16	0501012140	FLAT WASHER 16,50 X 40 X 4,00 ZN		04
17	0501014177	5/8" X 2-1/2" BOLT		04
18	0503012956	1/2" X 1-1/2" BOLT		06
19	0511017302	FLAT WASHER 13.50 X 32.50 X 3.0 ZN		06
20	0503012682	1/2" BSW NUT		06
21	0501017305	3/4" X 2-1/4" BOLT		01
22	0501047949	DRIVE SHAFT	8	01
23	0501012425	FLAT WASHER		01
24	0531019433	SKID GUIDE		02
25	0501067832	DRAWBAR		01
26	0502010083	SQUARE WASHER		04
27	0521010596	COUPLING SHAFT		02
28	0503031035	HITCH PIN CLIP		03
29	0502040922	DRAWBAR SUPPLEMENT		01
30	0521010578	COUPLING SHAFT		01
31	0531066992	SKID		02

Item	Code	Description	See page	QT
32	0531067961	FRENCH HAND		01
33	0521051872	DOOR ASSY INSTRUCTION MANUAL	10	01
34	0503011075	3/4 UNC LOCK NUT		04
35	0503011981	17.7" CHAIN WITH HOOK/LINK		01
36	0503031087	AUTO CONTROL APPROVED DECAL		01
37	0503037240	PROTECTION RUBBER BLANKET		02
38	0501415465	PROTECTIVE CANVAS FIXING RULER		02
39	0501415460	PROTECTIVE CANVAS FIXING RULER		02
40	0503037242	PROTECTION RUBBER BLANKET (SMALLER)		02
41	0503037685	PROTECTION RUBBER BLANKET (SMALLER)		01
42	0501511937	PROTECTIVE CANVAS FIXING RULER		01
43	0503010026	NUT 3/8"		30
44	0501110997	LARGER SUPPORT COVER PROTECTION		02
45	0513011677	SCREW 3/4 X 10 UNC X 2A X 8.1/2 GR 5 RP-ZN C.A.P.Q		01
46	0503035188	OIL LEVEL MAKER		01
47	0503010751	C3/8" X 1.1/4" HEX BOLT G.5		30
48	0531041649	RIGHT CARRYING WHEELS ASSEMBLY	11	01
49	0503010025	SPRING WASHER 3/8"		45
50	0501110998	CARDAN TOP PROTECTION COVER		01
51	0503034247	LUBRICATION POINT DECAL		01

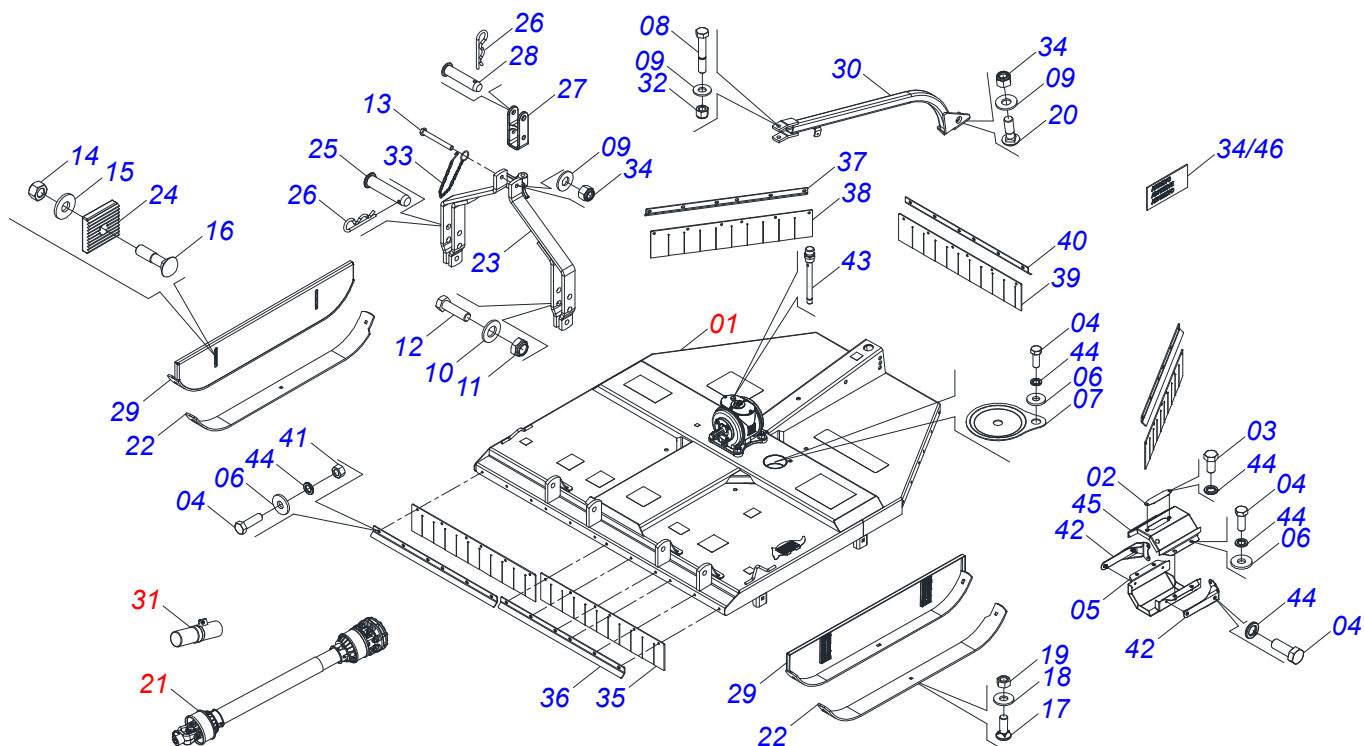


Item	Code	Description	See page	QT
01	0551051058	SEMIFINISHED FRAME CM	6	01
02	0581012546	LUBRICATION AXIS TRANSMISSION		01
03	0503010256	3/8" X 3/4" BOLT		02
04	0503010237	BOLT 3/8" X 1"		33
05	0501111144	BOTTOM PROTECTION COVER COUPLING WITH RIVET		01
06	0501010984	FLAT WASHER 10.50 X 27 X 3.00		09
07	0591012025	ACCESS COVER		01
08	0501010216	3/4 UNC X 4.1/2 C S G.5 ZN BOLT		01
09	0501010322	FLAT WASHER 20.50 X 46 X 4.00 ZN		03
10	0511015994	FLAT WASHER		02
11	0503014182	SELF-ADJUSTING NUT		02
12	0581019983	SCREW RACK 3/4 GR		01
13	0501010171	BOLT 1 UNC X 3.1/2 C S G.5		02
14	0501011545	3/4" X 6-1/2" BOLT		01
15	0503012412	5/8" UNC SELF LOCKING NUT		04
16	0501012140	FLAT WASHER 16,50 X 40 X 4,00 ZN		04
17	0501014177	5/8" X 2-1/2" BOLT		04
18	0503012956	1/2" X 1-1/2" BOLT		06
19	0511017302	FLAT WASHER 13.50 X 32.50 X 3.0 ZN		06
20	0503012682	1/2" BSW NUT		06
21	0501017305	3/4" X 2-1/4" BOLT		01
22	0501047949	DRIVE SHAFT	8	01
23	0501012425	FLAT WASHER		01
24	0531019433	SKID GUIDE		02
25	0501067832	DRAWBAR		01
26	0502010083	SQUARE WASHER		04
27	0521010596	COUPLING SHAFT		02
28	0503031035	HITCH PIN CLIP		03
29	0502040922	DRAWBAR SUPPLEMENT		01
30	0521010578	COUPLING SHAFT		01
31	0531066992	SKID		02

ASSY FRAME CM WITH WHEEL

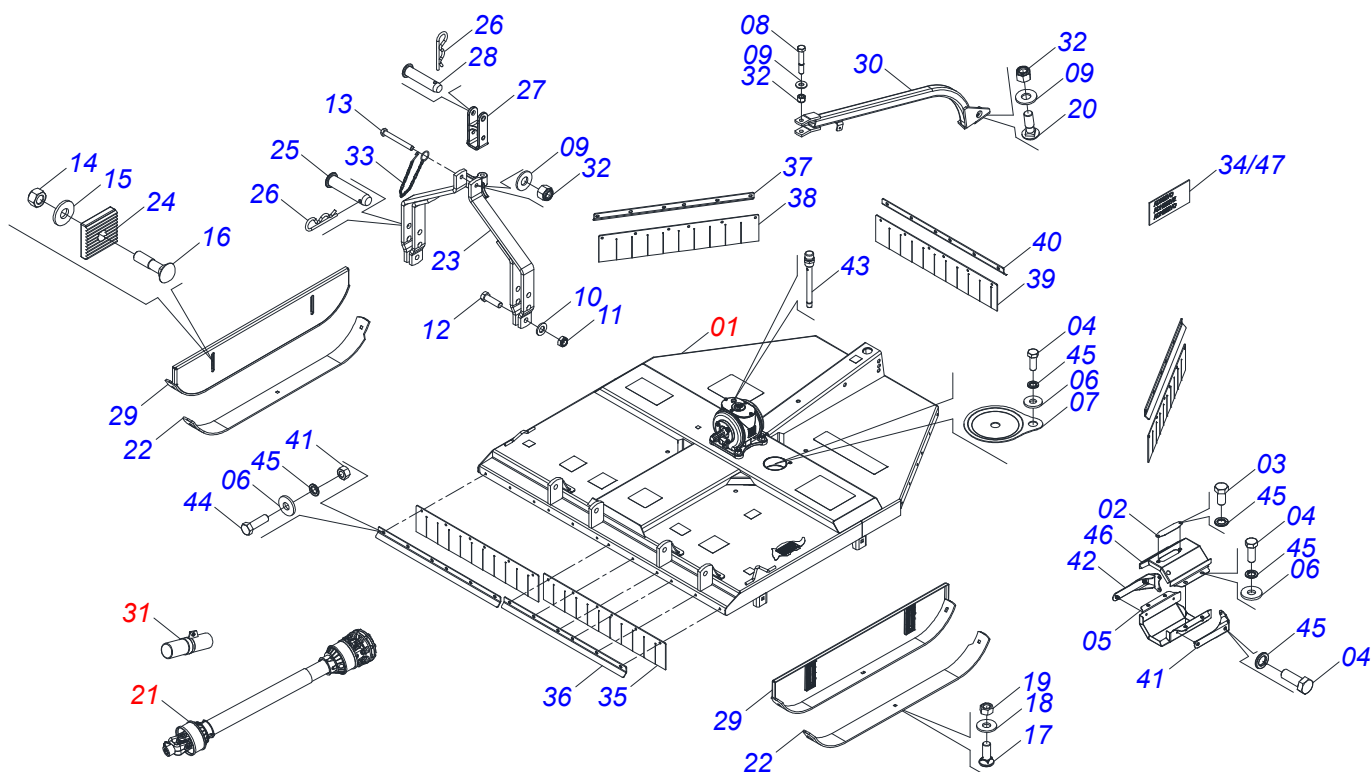
0531048301

Item	Code	Description	See page	QT
32	0531067961	FRENCH HAND		01
33	0521051872	DOOR ASSY INSTRUCTION MANUAL	10	01
34	0503011075	3/4 UNC LOCK NUT		04
35	0503011981	17.7" CHAIN WITH HOOK/LINK		01
36	0503031087	AUTO CONTROL APPROVED DECAL		01
37	0503037240	PROTECTION RUBBER BLANKET		02
38	0501415465	PROTECTIVE CANVAS FIXING RULER		02
39	0501415460	PROTECTIVE CANVAS FIXING RULER		02
40	0503037242	PROTECTION RUBBER BLANKET (SMALLER)		02
41	0503037685	PROTECTION RUBBER BLANKET (SMALLER)		01
42	0501511937	PROTECTIVE CANVAS FIXING RULER		01
43	0503010026	NUT 3/8"		20
44	0501110997	LARGER SUPPORT COVER PROTECTION		02
45	0513011677	SCREW 3/4 X 10 UNC X 2A X 8.1/2 GR 5 RP-ZN C.A.P.Q		01
46	0503035188	OIL LEVEL MAKER		01
47	0531041649	RIGHT CARRYING WHEELS ASSEMBLY	11	01
48	0503010025	SPRING WASHER 3/8"		35
49	0501110998	CARDAN TOP PROTECTION COVER		01
50	0503034247	LUBRICATION POINT DECAL		01



Item	Code	Description	See page	QT
01	0551051058	SEMIFINISHED FRAME CM	6	01
02	0581012546	LUBRICATION AXIS TRANSMISSION		01
03	0503010256	3/8" X 3/4" BOLT		02
04	0503010237	BOLT 3/8" X 1"		33
05	0501111144	BOTTOM PROTECTION COVER COUPLING WITH RIVET		01
06	0501010984	FLAT WASHER 10.50 X 27 X 3.00		09
07	0591012025	ACCESS COVER		01
08	0501010216	3/4 UNC X 4.1/2 C S G.5 ZN BOLT		01
09	0501010322	FLAT WASHER 20.50 X 46 X 4.00 ZN		03
10	0511015994	FLAT WASHER		02
11	0503014182	SELF-ADJUSTING NUT		02
12	0501010171	BOLT 1 UNC X 3.1/2 C S G.5		02
13	0501011545	3/4" X 6-1/2" BOLT		01
14	0503012412	5/8" UNC SELF LOCKING NUT		04
15	0501012140	FLAT WASHER 16,50 X 40 X 4,00 ZN		04
16	0501014177	5/8" X 2-1/2" BOLT		04
17	0503012956	1/2" X 1-1/2" BOLT		06
18	0511017302	FLAT WASHER 13.50 X 32.50 X 3.0 ZN		06
19	0503012682	1/2" BSW NUT		06
20	0501017305	3/4" X 2-1/4" BOLT		01
21	0501047949	DRIVE SHAFT	8	01
22	0531019433	SKID GUIDE		02
23	0501067832	DRAWBAR		01
24	0502010083	SQUARE WASHER		04
25	0521010596	COUPLING SHAFT		02
26	0503031035	HITCH PIN CLIP		03
27	0502040922	DRAWBAR SUPPLEMENT		01
28	0521010578	COUPLING SHAFT		01
29	0531066992	SKID		02
30	0531067961	FRENCH HAND		01
31	0521051872	DOOR ASSY INSTRUCTION MANUAL	10	01

Item	Code	Description	See page	QT
32	0503011075	3/4 UNC LOCK NUT		04
33	0503011981	17.7" CHAIN WITH HOOK/LINK		01
34	0503031087	AUTO CONTROL APPROVED DECAL		01
35	0503037240	PROTECTION RUBBER BLANKET		02
36	0501415465	PROTECTIVE CANVAS FIXING RULER		02
37	0501415460	PROTECTIVE CANVAS FIXING RULER		02
38	0503037242	PROTECTION RUBBER BLANKET (SMALLER)		02
39	0503037685	PROTECTION RUBBER BLANKET (SMALLER)		01
40	0501511937	PROTECTIVE CANVAS FIXING RULER		01
41	0503010026	NUT 3/8"		20
42	0501110997	LARGER SUPPORT COVER PROTECTION		02
43	0503035188	OIL LEVEL MAKER		01
44	0503010025	SPRING WASHER 3/8"		35
45	0501110998	CARDAN TOP PROTECTION COVER		01
46	0503034247	LUBRICATION POINT DECAL		01

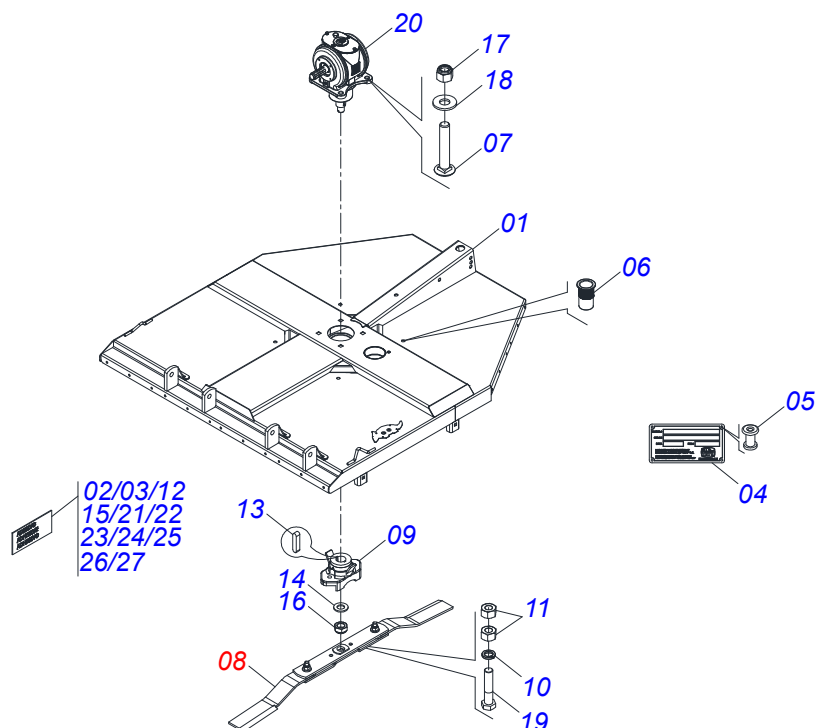


Item	Code	Description	See page	QT
01	0541053478	SEMIFINISHED FRAME	5	01
02	0581012546	LUBRICATION AXIS TRANSMISSION		01
03	0503010256	3/8" X 3/4" BOLT		02
04	0503010237	BOLT 3/8" X 1"		33
05	0501111144	BOTTOM PROTECTION COVER COUPLING WITH RIVET		01
06	0501010984	FLAT WASHER 10.50 X 27 X 3.00		09
07	0591012025	ACCESS COVER		01
08	0501010216	3/4 UNC X 4.1/2 C S G.5 ZN BOLT		01
09	0501010322	FLAT WASHER 20.50 X 46 X 4.00 ZN		03
10	0511015994	FLAT WASHER		02
11	0503014182	SELF-ADJUSTING NUT		02
12	0501010171	BOLT 1 UNC X 3.1/2 C S G.5		02
13	0501011545	3/4" X 6-1/2" BOLT		01
14	0503012412	5/8" UNC SELF LOCKING NUT		04
15	0501012140	FLAT WASHER 16,50 X 40 X 4,00 ZN		04
16	0501014177	5/8" X 2-1/2" BOLT		04
17	0503012956	1/2" X 1-1/2" BOLT		06
18	0511017302	FLAT WASHER 13.50 X 32.50 X 3.0 ZN		06
19	0503012682	1/2" BSW NUT		06
20	0501017305	3/4" X 2-1/4" BOLT		01
21	0501047949	DRIVE SHAFT	8	01
22	0531019433	SKID GUIDE		02
23	0501067832	DRAWBAR		01
24	0502010083	SQUARE WASHER		04
25	0521010596	COUPLING SHAFT		02
26	0503031035	HITCH PIN CLIP		03
27	0502040922	DRAWBAR SUPPLEMENT		01
28	0521010578	COUPLING SHAFT		01
29	0531066992	SKID		02
30	0531067961	FRENCH HAND		01
31	0521051872	DOOR ASSY INSTRUCTION MANUAL	10	01

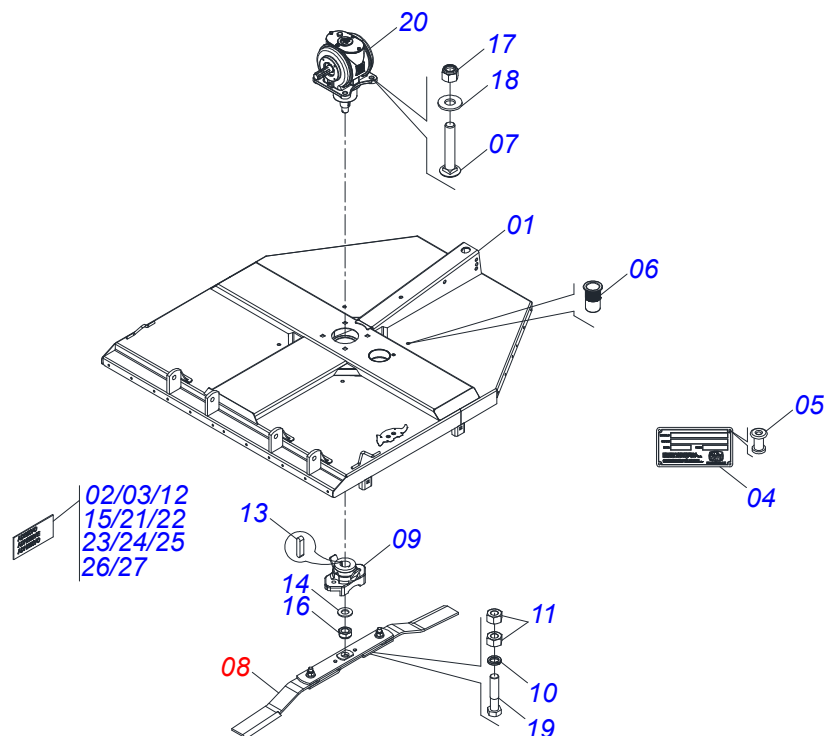
Item	Code	Description	See page	QT
32	0503011075	3/4 UNC LOCK NUT		04
33	0503011981	17.7" CHAIN WITH HOOK/LINK		01
34	0503031087	AUTO CONTROL APPROVED DECAL		01
35	0503037240	PROTECTION RUBBER BLANKET		02
36	0501415465	PROTECTIVE CANVAS FIXING RULER		02
37	0501415460	PROTECTIVE CANVAS FIXING RULER		02
38	0503037242	PROTECTION RUBBER BLANKET (SMALLER)		02
39	0503037685	PROTECTION RUBBER BLANKET (SMALLER)		01
40	0501511937	PROTECTIVE CANVAS FIXING RULER		01
41	0503010026	NUT 3/8"		20
42	0501110997	LARGER SUPPORT COVER PROTECTION		02
43	0503035188	OIL LEVEL MAKER		01
44	0503010751	C3/8" X 1.1/4" HEX BOLT G.5		30
45	0503010025	SPRING WASHER 3/8"		35
46	0501110998	CARDAN TOP PROTECTION COVER		01
47	0503034247	LUBRICATION POINT DECAL		01

SEMIFINISHED FRAME

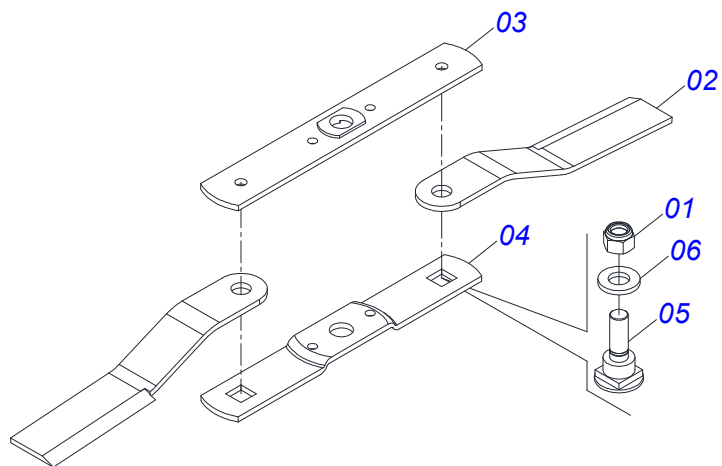
0541053478



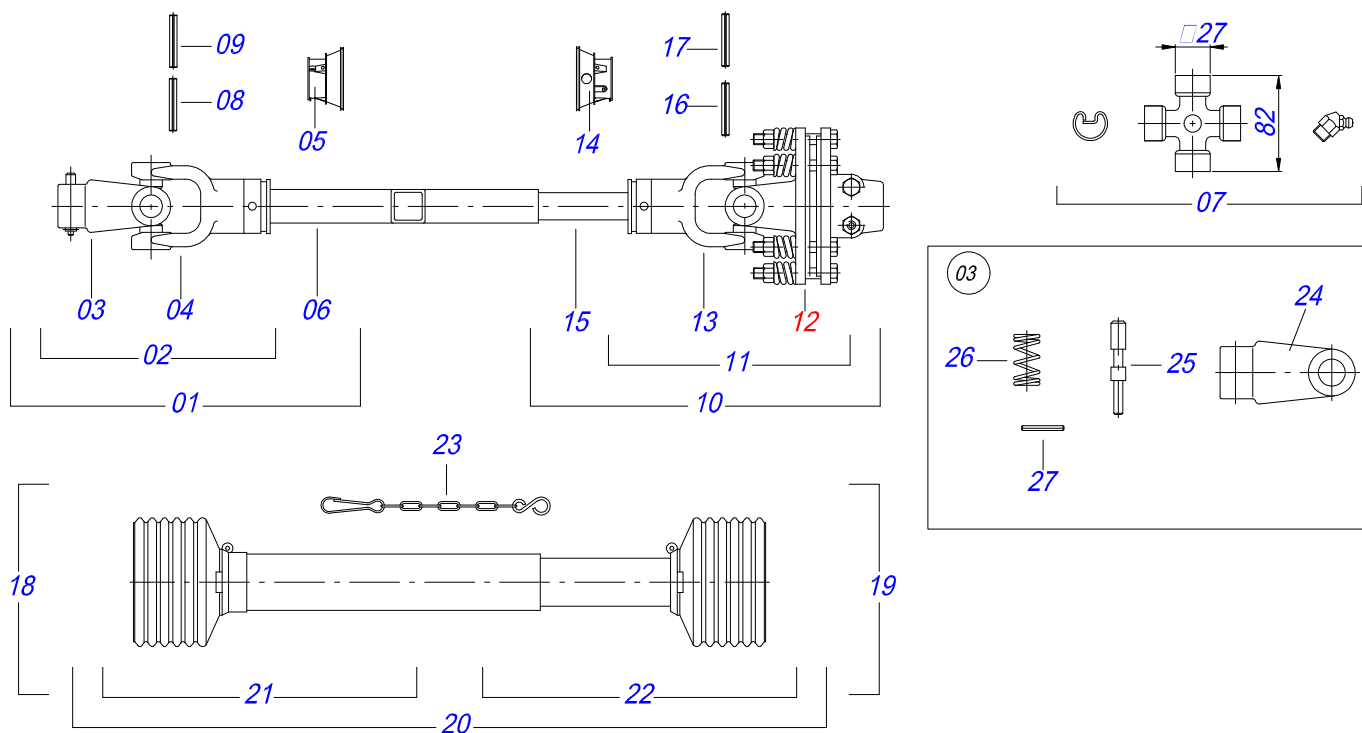
Item	Code	Description	See page	QT
01	0531067940	FRAME		01
02	0503034078	LIFTING POINTS DECAL		03
03	0503037768	ADHESIVE LABEL		01
04	0503034003	61 X 118 SERIAL NUMBER TAG		01
05	0503010001	RIVET 3,2 X 5,5		04
06	0503019413	THREAD SCREW INTERNAL		01
07	0503013122	3/4 UNC X 4.1/4 CAPQ G.5 ZNBOLT		04
08	0501056337	SUPPORT	7	01
09	0502012453	SUPPORT FLANGE		01
10	0503011442	3/4" SPRING WASHER		02
11	0503010014	HEX NUT 3/4" ZN G.5 (HEAVY) UNC		04
12	0503031428	ATTENTION READ MANUAL DECAL		01
13	0501010536	KEYWAY SQUARE		02
14	0501017779	FLAT WASHER 32 X 60 X 4,75		01
15	0503031127	RESPIRO DECAL		01
16	0503010044	SELF LOCKING NUT 1.1/4 UNF G.5 ZN		01
17	0503011075	3/4 UNC LOCK NUT		04
18	0501010322	FLAT WASHER 20.50 X 46 X 4.00 ZN		04
19	0503010901	3/4UNC 3.1/2 BOLT		02
20	0503064999	MULTIPLIER		01
21	0503031930	DANGER ROTATING BLADES DECAL		01
22	0503031427	ATTENTION POWER SPOT DECAL		01
23	0503031929	SPECIAL BLADES EQUIPMENT DECAL		01
24	0503032949	ATTENTION 3 LANGUAGES DECAL		01
25	0503032534	IMPORTANT FRICTION ADJUSTMENT DECAL		01
26	0503031931	ADHESIVE LABEL		01
27	0503034333	TATU MARCHESAN LOGO DECAL		01



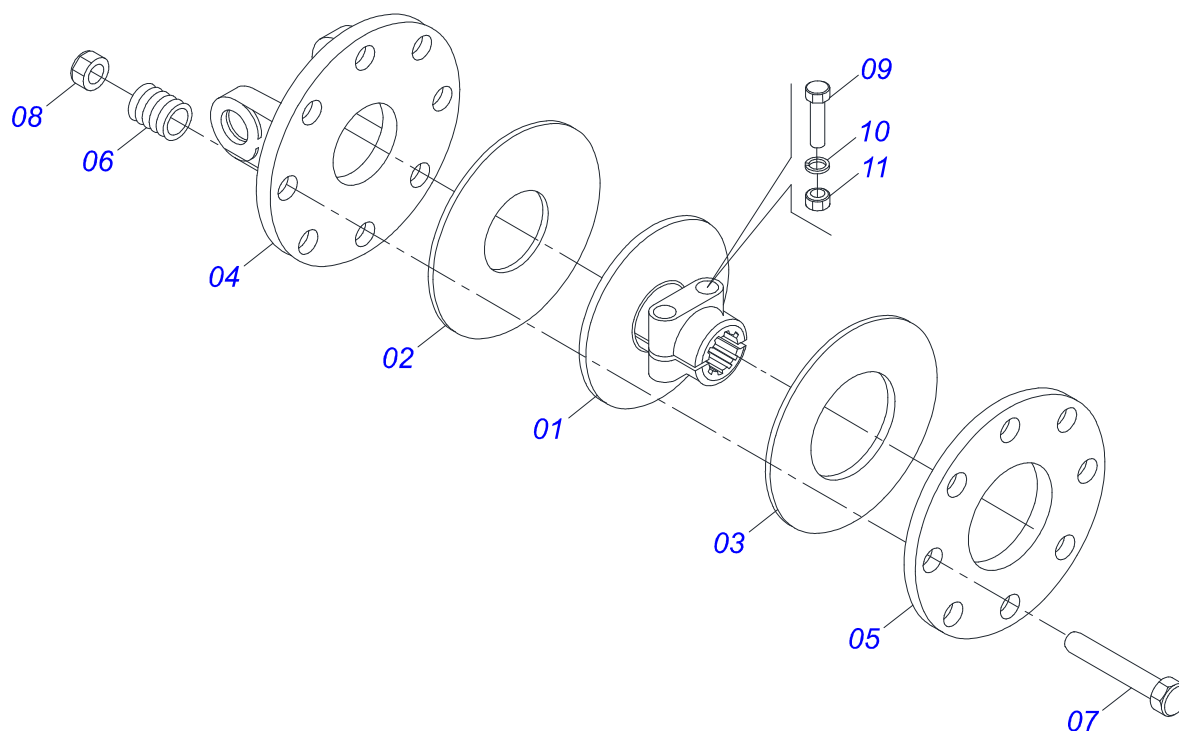
Item	Code	Description	See page	QT
01	0531067940	FRAME		01
02	0503034078	LIFTING POINTS DECAL		03
03	0503037768	ADHESIVE LABEL		01
04	0503034003	61 X 118 SERIAL NUMBER TAG		01
05	0503010001	RIVET 3,2 X 5,5		04
06	0503019413	THREAD SCREW INTERNAL		01
07	0503013122	3/4 UNC X 4.1/4 CAPQ G.5 ZNBOLT		04
08	0521051106	SUPPORT 540 WITH ROCADOR 620 CM	13	01
09	0502012453	SUPPORT FLANGE		01
10	0503011442	3/4" SPRING WASHER		02
11	0503010014	HEX NUT 3/4" ZN G.5 (HEAVY) UNC		04
12	0503031428	ATTENTION READ MANUAL DECAL		01
13	0501010536	KEYWAY SQUARE		02
14	0501017779	FLAT WASHER 32 X 60 X 4,75		01
15	0503031127	RESPIRO DECAL		01
16	0503010044	SELF LOCKING NUT 1.1/4 UNF G.5 ZN		01
17	0503011075	3/4 UNC LOCK NUT		04
18	0501010322	FLAT WASHER 20.50 X 46 X 4.00 ZN		04
19	0503010901	3/4UNC 3.1/2 BOLT		02
20	0503064999	MULTIPLIER		01
21	0503031930	DANGER ROTATING BLADES DECAL		01
22	0503031427	ATTENTION POWER SPOT DECAL		01
23	0503031929	SPECIAL BLADES EQUIPMENT DECAL		01
24	0503032949	ATTENTION 3 LANGUAGES DECAL		01
25	0503032534	IMPORTANT FRICTION ADJUSTMENT DECAL		01
26	0503031931	ADHESIVE LABEL		01
27	0503034333	TATU MARCHESAN LOGO DECAL		01



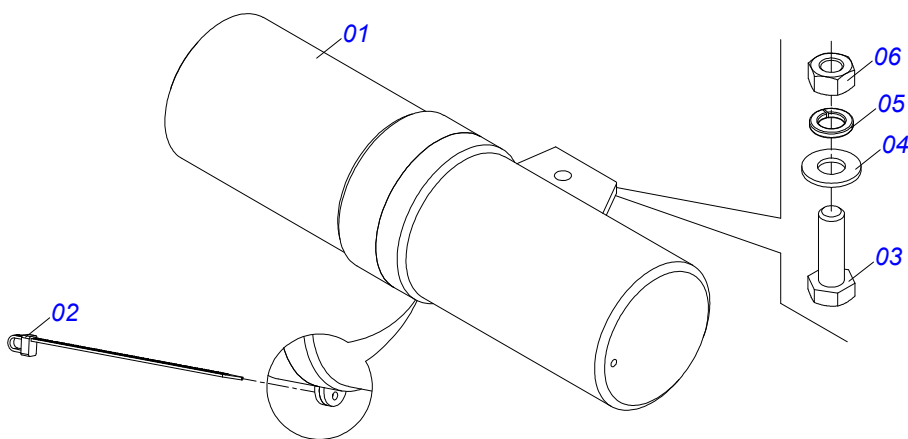
Item	Code	Description	See page	QT
01	0503010812	SELF LOCKING NUT 7/8" UNF		02
02	0622400054	24.5" X 3.94" X 0.5" ROTARY CUTTER		02
03	0561017307	SUPPORT UPPER BASE		01
04	0561017369	ROTARY LOWER SUPPORT LOWER		01
05	0511019000	BOLT		02
06	0501816545	FLAT WASHER		02



Item	Code	Description	See page	QT
01	0501051715	UNIVERSAL JOINT		01
02	0501050265	UNIVERSAL JOINT		01
03	0501050333	TERMINAL WITH HITCH 1-40		01
04	0502010565	TERMINAL 2-40 WITH SH 1.5"/1.5"		01
05	0503012069	ADAPTER FOR BUSHING PROTECT		01
06	0501017429	31" X 1.5" SQUARE SLEEVE		01
07	0503010836	CARDAN CROSSPIECE		02
08	0503011069	SPRING PIN 0.4" X 2.8"		01
09	0503010510	SPRING PIN 0.2" X 2.6"		01
10	0501051716	UNIVERSAL JOINT WITH SHAFT		01
11	0501050466	UNIVERSAL JOINT WITH CROSSPIECE		01
12	0501043660	FRICITION 90 KG/M	9	01
13	0502010566	TERMINAL 3-40 WITH SH 1.2"/1.2"		01
14	0503012070	ADAPTER FOR AXLE PROTECTION		01
15	0501017425	1.2" X 31.5" SQUARE SHAFT		01
16	0503010361	SPRING PIN		01
17	0503010756	SPRING PIN 0.2" X 2.4"		01
18	0501051701	UNIVERSAL JOINT WITH SLEEVE/PROT		01
19	0501051702	UNIVERSAL JOINT WITH AXLE/PROT		01
20	0503012077	PROTECTION ASSY		01
21	0503012078	PROTECTION FOR UNIV JOINT AND SLEEV		01
22	0503012079	PROTECTION FOR UNIV JOINT AND AXLE		01
23	0503012023	CHAIN FOR PROTECTION		02
24	0502010563	STRIATED 1-40 1.3/8" TERMINAL		01
25	0521010638	HITCH PIN 13.70 X 78		01
26	0503030518	COMPRESSION SPRING 0.5"X1.0"X 0.1"		01
27	0503010838	SPRING PIN 0.1" X 0.8"		01



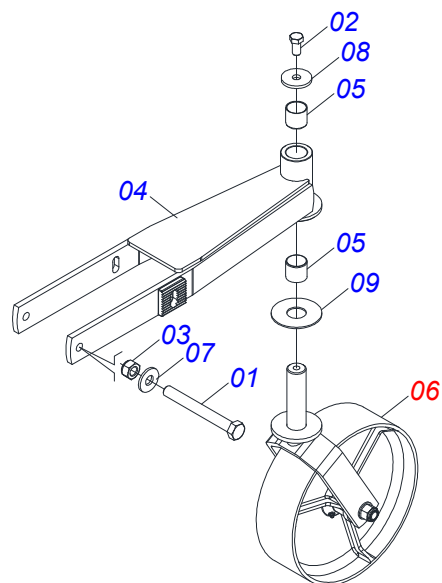
Item	Code	Description	See page	QT
01	0502011555	CENTRAL FLANGE		01
02	0503031474	INNER FRICTION DISC		01
03	0503031478	OUTER FRICTION DISC		01
04	0501110176	FLANGE		01
05	0521013562	REAR FLANGE FOR CLUTCH		01
06	0503030630	1.02"X1.3"X0.2" COMPRESSION SPRING		08
07	0503010752	1/2" X 3.1/2" BOLT		08
08	0503011336	1/2" HEX SELF ADJUSTING NUT		08
09	0503010741	1/2" X 2-3/4" BOLT		02
10	0503010019	SPRING WASHER 1/2"		02
11	0503010060	HEX NUT 1/2 UNC G.5 ZN		02



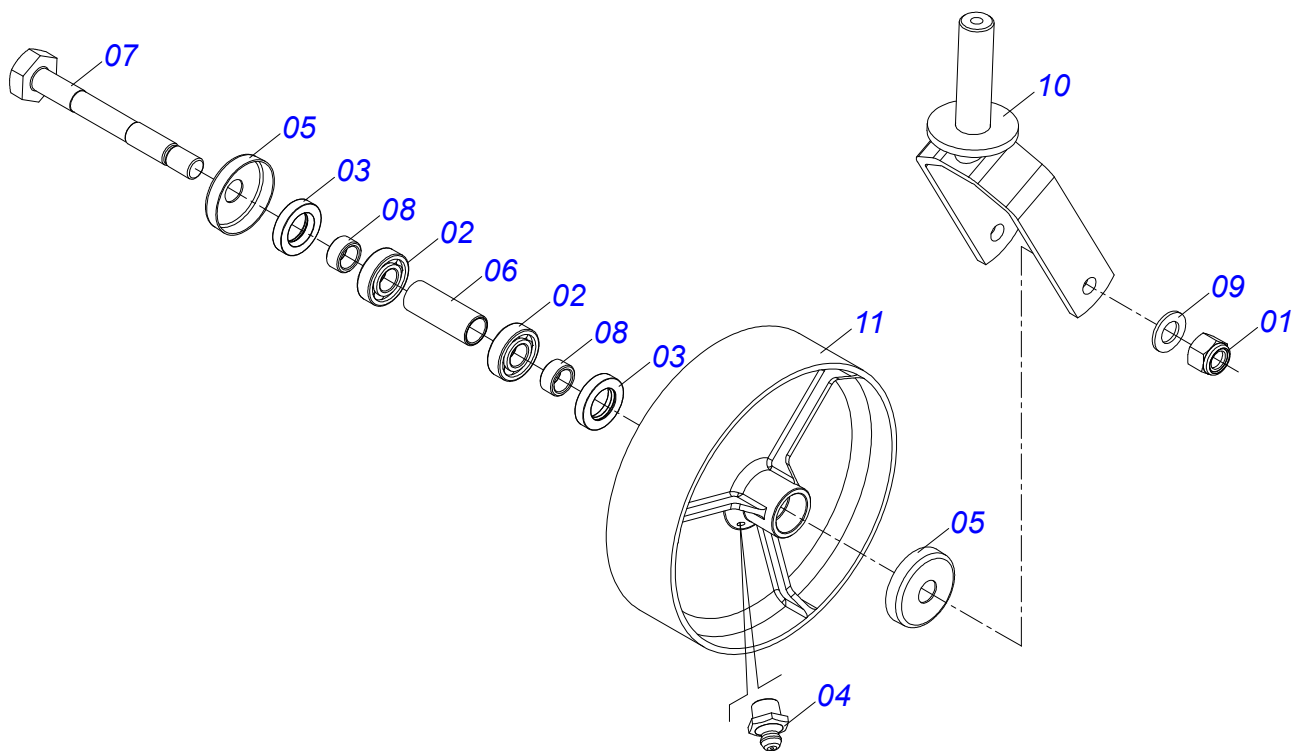
Item	Code	Description	See page	QT
01	0503060100	SUPPORT INSTRUCTION MANUAL		01
02	0503010267	NYLON CLAMP 3.60 X 1.3 X 155 MM		01
03	0503010363	BOLT 5/16 UNC X 1 C S G.2 ZN		01
04	0501010694	FLAT WASHER 8.50 X 18 X 1.50 ZN		01
05	0503010179	LOCK WASHER 5/16 ZN 1K01528		01
06	0503010337	NUT 5/16 UNC G.5 ZN		01

RIGHT CARRYING WHEELS ASSEMBLY

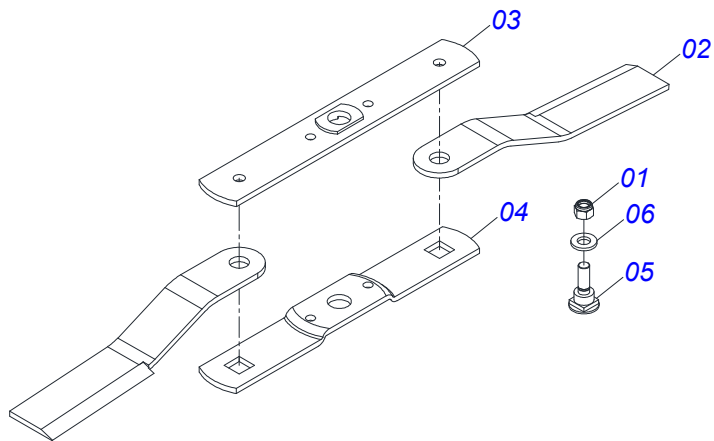
0531041649



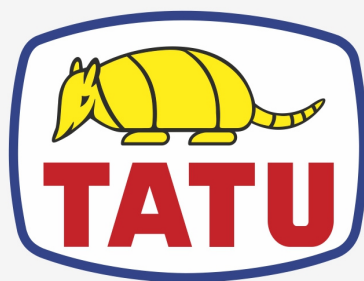
Item	Code	Description	See page	QT
01	0501813475	3/4" X 7.1/2" BOLT		01
02	0503010962	5/8" X 1-1/4" BOLT		01
03	0503011075	3/4 UNC LOCK NUT		01
04	0531060691	RIGHT SUPPORT CARRYING WHEELS		01
05	0503035215	SELF LUBRICATING BUSHING		02
06	0501058460	CARRYING WHEELS	12	01
07	0501810941	FLAT WASHER		01
08	0511010721	FLAT WASHER		01
09	0511013239	FLAT WASHER		01



Item	Code	Description	See page	QT
01	0503011075	3/4 UNC LOCK NUT		01
02	0503010269	6204 BALL BEARING		02
03	0503010268	00262-B SEAL		02
04	0503010002	GREASE FITTING 1800		01
05	0511014254	DUST CLOAK		02
06	0521010460	0.9" X 1.1" X 2.9" SLEEVE		01
07	0501017143	WHEEL AXLE		01
08	0521010487	SPACER WASHER		02
09	0501010941	FLAT WASHER		01
10	0501065266	WHELL FORK		01
11	0502012519	350 X 100 WHEEL		01



Item	Code	Description	See page	QT
01	0503010812	SELF LOCKING NUT 7/8" UNF		02
02	0622340055	ROTARY CUTTER		02
03	0561017307	SUPPORT UPPER BASE		01
04	0561017369	ROTARY LOWER SUPPORT LOWER		01
05	0511019000	BOLT		02
06	0501016545	FLAT WASHER		02



MARCHESAN

Technical Publications | Elaboration and Revision

DANIELE DA COSTA ANTONIO

www.marchesan.com.br

