

ROTARY CUTTERS

KAPINA CITRUS 3101/E

Code: 0501094065
Series: S-0824
Revision: 00
Revision Date: MARCH/2025

PARTS CATALOGUE



MARCHESAN



PRODUCTS

Code	Working Width	Description
0104120101		KAPINA CITRUS 3101/E S-0824

ATTENTION: IMPORTANT

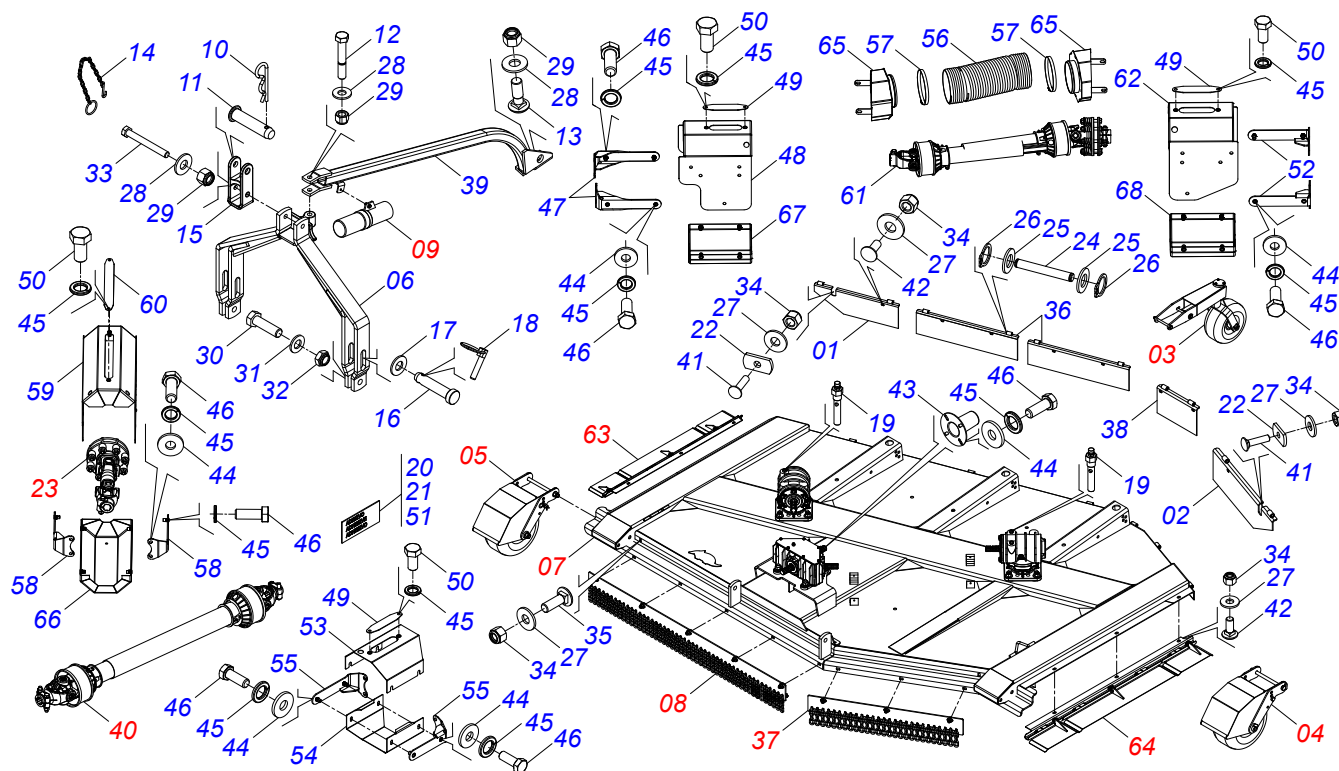
Marchesan S.A. reserves the right to improve and/or modify the technical features of its products, without obligation to do the same with those products already sold and without prior knowledge of the dealer or the customer. The photos are only illustrative.



MARCHESAN

INDEX

0531046292	FRAME ASSY RC2 E 3101 S-0824	1
0511044441	CARRYING WHEELS ASSY	2
0511048551	RIGHT FRONT WHEEL WITH FULL PROTECTION	3
0511044473	FRONT WHEEL RIGHT WITH ASSY PROTECTION	4
0541055642	FRAME SEMI ASSEMBLED	5
0511042525	LEFT MULTIPLICATOR	6
0501044074	TRIPLE DISTRIBUTOR	7
0541055760	SUPPORT WITH LEFT ROTARY CUTTERS	8
0541055656	SUPPORT WITH RIGHT ROTARY CUTTERS	9
0511042527	RIGHT MULTIPLIER	10
0541055657	FRONT CHAINS PROTECTION	11
0541058099	KAPINA CITRUS MANUAL ASSY SUPPORT	12
0511041381	DRIVE SHAFT	13
0501047953	90 KG/M FRICTION	14
0541055652	FRONT CHAINS PROTECTION	15
0501047952	DRIVE SHAFT	16
0531046567	RIGHT PROTECTION	17
0531046568	LEFT PROTECTION	18

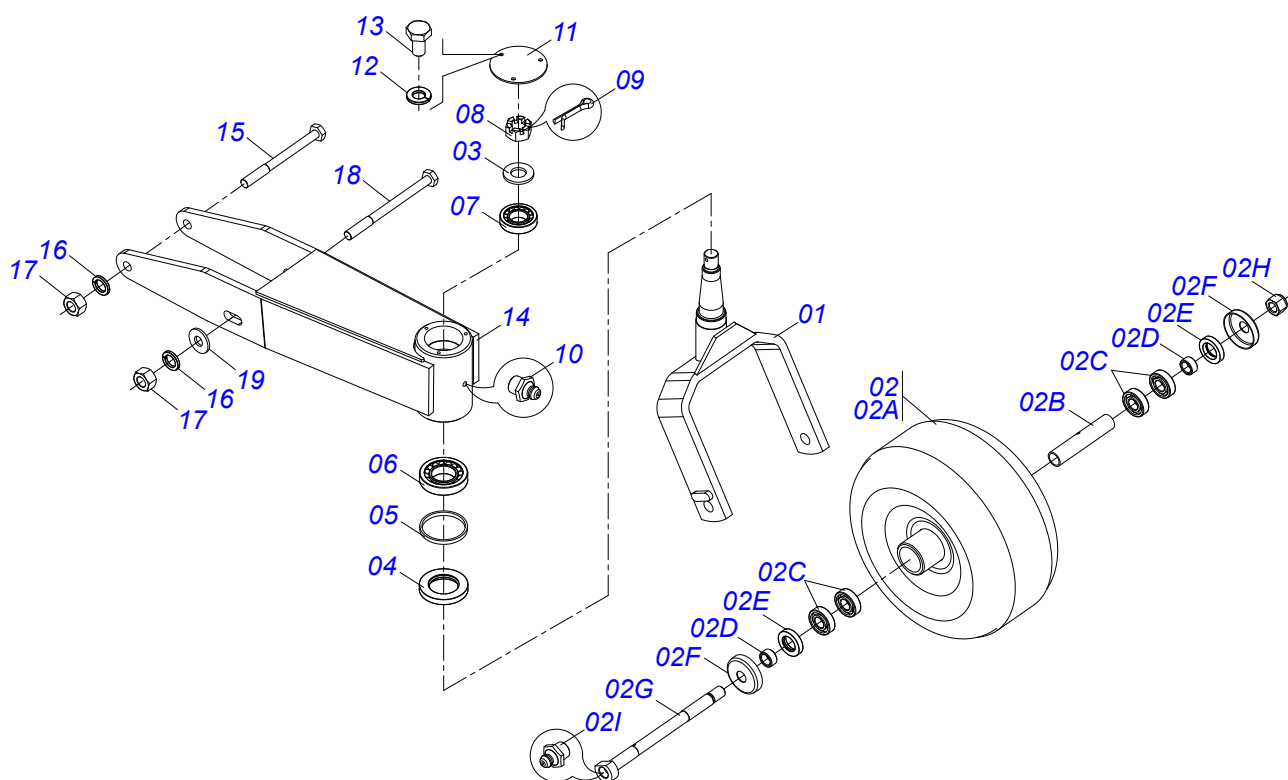


Item	Code	Description	See page	QT
01	0511069883	REAR PROTECTION		01
02	0531069404	REAR LEFT PROTECTION		01
03	0511044441	CARRYING WHEELS ASSY	2	02
04	0511048551	RIGHT FRONT WHEEL WITH FULL PROTECTION	3	01
05	0511044473	FRONT WHEEL RIGHT WITH ASSY PROTECTION	4	01
06	0511062006	DRAWBAR		01
07	0541055642	FRAME SEMI ASSEMBLED	5	01
08	0541055657	FRONT CHAINS PROTECTION	11	01
09	0541058099	KAPINA CITRUS MANUAL ASSY SUPPORT	12	01
10	0503031035	HITCH PIN CLIP		01
11	0521010578	COUPLING SHAFT		01
12	0501010216	3/4 UNC X 4.1/2 C S G.5 ZN BOLT		01
13	0501017305	3/4" X 2-1/4" BOLT		01
14	0503011981	17.7" CHAIN WITH HOOK/LINK		01
15	0502040922	DRAWBAR SUPPLEMENT		01
16	0521010629	1.1" X 5.1" COUPLING SHAFT		02
17	0501010065	1" SPRING WASHER		02
18	0503030430	7/16 X 2" PIN LOCK		02
19	0501110186	OIL SMALLER LEVEL INDICATOR		02
20	0503031127	RESPIRO DECAL		02
21	0503031087	AUTO CONTROL APPROVED DECAL		01
22	0551019824	RH PROTECTION LOCK		02
23	0511041381	DRIVE SHAFT	13	01
24	0501213766	PIN WITH GROOVES		10
25	0503011828	FLAT WASHER 13 X 24 X 2.00 ZN		20
26	0503013219	RETAINING RING		21
27	0511017302	FLAT WASHER 13.50 X 32.50 X 3.0 ZN		18
28	0501010322	FLAT WASHER 20.50 X 46 X 4.00 ZN		03
29	0503011075	3/4 UNC LOCK NUT		03
30	0501010171	BOLT 1 UNC X 3.1/2 C S G.5		02
31	0511015994	FLAT WASHER		02
32	0503014182	SELF-ADJUSTING NUT		02

Item	Code	Description	See page	QT
33	0501011545	3/4" X 6-1/2" BOLT		01
34	0503010589	SELF ADJUSTING NUT 1/2" UNC		18
35	0503014378	BOLT 1/2" X 1-1/2"		02
36	0531069409	REAR CENTRAL PROTECTION		02
37	0541055652	FRONT CHAINS PROTECTION	15	01
38	0531069410	REAR CENTRAL PROTECTION		01
39	0531069408	ATTACHMENT BAR		01
40	0501047952	DRIVE SHAFT	16	01
41	0503019293	SCREW 1/2 UNC X 2 COVER G7 ZN		02
42	0503014734	BOLT		14
43	0503034005	COVER PROTECTION FOR SHAFT		01
44	0501010984	FLAT WASHER 10.50 X 27 X 3.00		20
45	0503010025	SPRING WASHER 3/8"		54
46	0503010237	BOLT 3/8" X 1"		46
47	0501110997	LARGER SUPPORT COVER PROTECTION		02
48	0501111392	CARDAN PROTECTION COVER		01
49	0581012546	LUBRICATION AXIS TRANSMISSION		03
50	0503010256	3/8" X 3/4" BOLT		08
51	0503034247	LUBRICATION POINT DECAL		04
52	0501111354	PROTECTION COVER SUPPORT		02
53	0501111001	CARDAN PROTECTION COVER		01
54	0581014012	LOWER BODY PROTECTION		01
55	0501111236	PROTECTION COVER SUPPORT		02
56	0501415396	HOSE		01
57	0513010403	CLAMP		02
58	0501111358	PROTECTION COVER SUPPORT		02
59	0501111356	CARDAN PROTECTION COVER		01
60	0501415374	TRANSMISSION SHAFT LUBRICATION DOOR		01
61	0503063691	CARDAN		01
62	0501111362	CARDAN PROTECTION COVER		01
63	0531046567	RIGHT PROTECTION	17	01
64	0531046568	LEFT PROTECTION	18	01
65	0541060435	HOSE COUPLING		02
66	0501111391	INFERIOR CARDAN PROTECTION COVER		01
67	0501111390	INFERIOR CARDAN PROTECTION COVER		01
68	0501111389	INFERIOR CARDAN PROTECTION COVER		01

CARRYING WHEELS ASSY

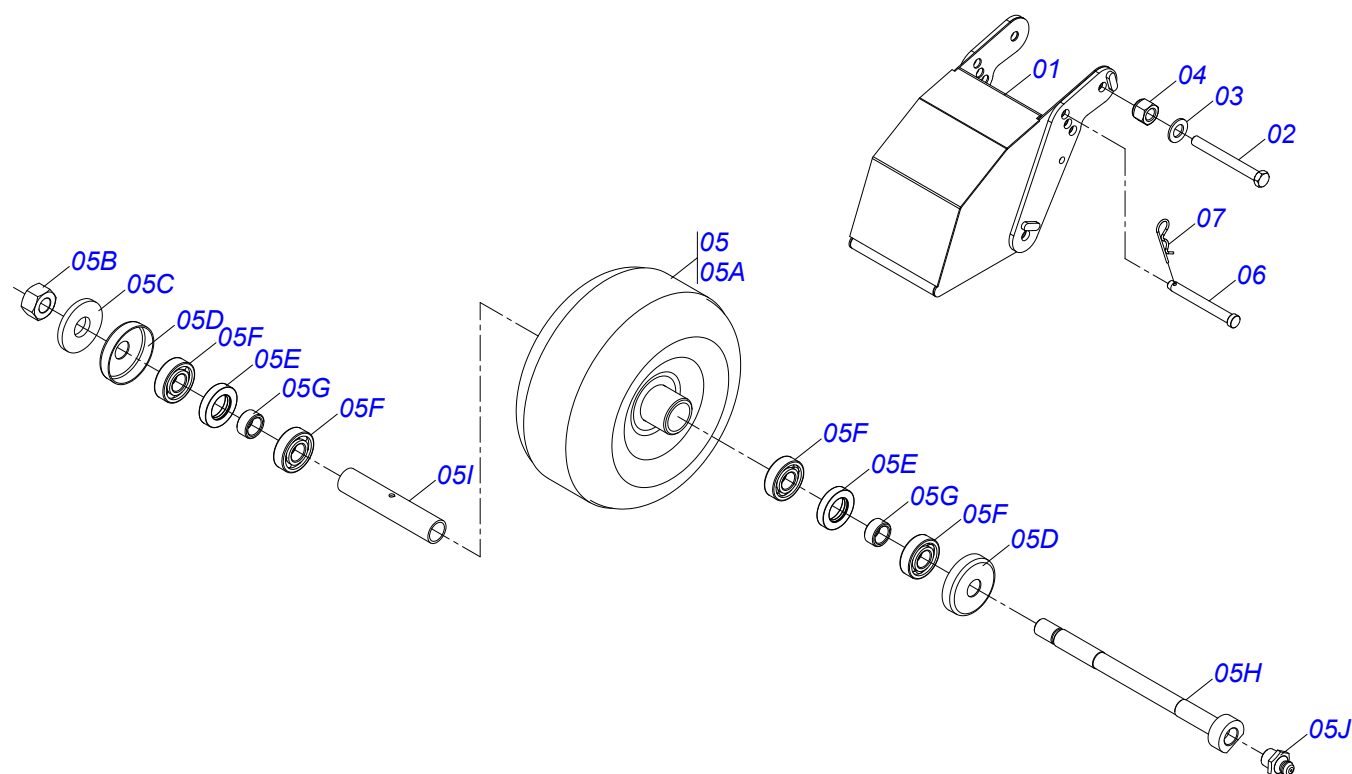
0511044441



Item	Code	Description	See page	QT
01	0511067159	REAR WHEELS FORK		01
02	0501057218	ARM REAR WHELL		01
02A	0511063509	14" X 8" WHELL		01
02B	0531014502	0.9" X 1.1" X 6.3" SLEEVE		01
02C	0503010269	6204 BALL BEARING		04
02D	0521010487	SPACER WASHER		02
02E	0503010268	00262-B SEAL		02
02F	0511014254	DUST CLOAK		02
02G	0551011854	REAR CARRYING WHEELS AXLE		01
02H	0503011075	3/4 UNC LOCK NUT		01
02I	0503010002	GREASE FITTING 1800		01
03	0511015994	FLAT WASHER		01
04	0503010279	SEAL		01
05	0541018986	WASHER		01
06	0503010360	30208 ROLLER BEARING		01
07	0503011290	30206 BEARING		01
08	0503030009	1" CASTLE NUT		01
09	0503010523	1/4 X 2 SPLIT PIN		01
10	0503010002	GREASE FITTING 1800		01
11	0541018995	WHEEL BOX COVER		01
12	0503011441	SPRING WASHER		03
13	0503013758	BOLT 1/4" X 1-1/2"		03
14	0511067801	REAR WHEEL SUPPORT		01
15	0503010795	5/8" X 7" BOLT		01
16	0503011445	SPRING WASHER		02
17	0503010013	HEX NUT 5/8 UNC G.5 ZN		02
18	0503012410	5/8" X 7.1/2" BOLT		01
19	0501012140	FLAT WASHER 16,50 X 40 X 4,00 ZN		01

RIGHT FRONT WHEEL WITH FULL PROTECTION

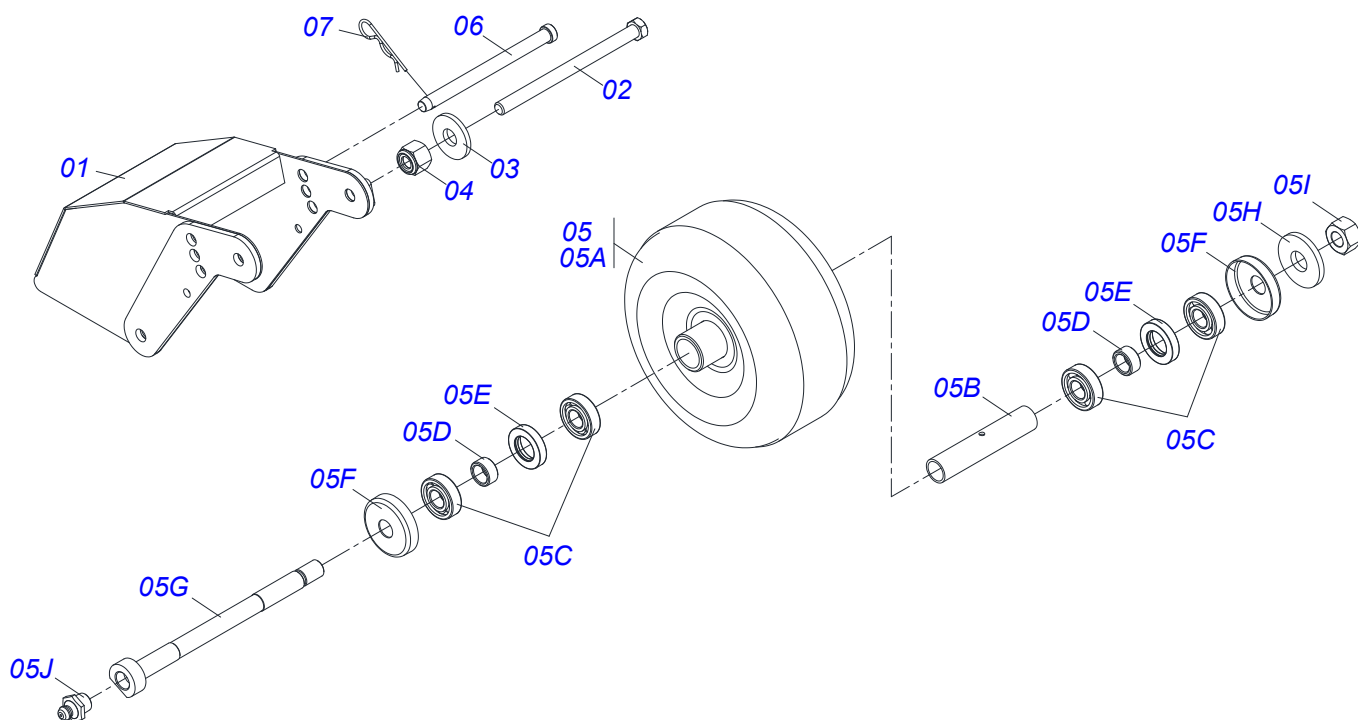
0511048551



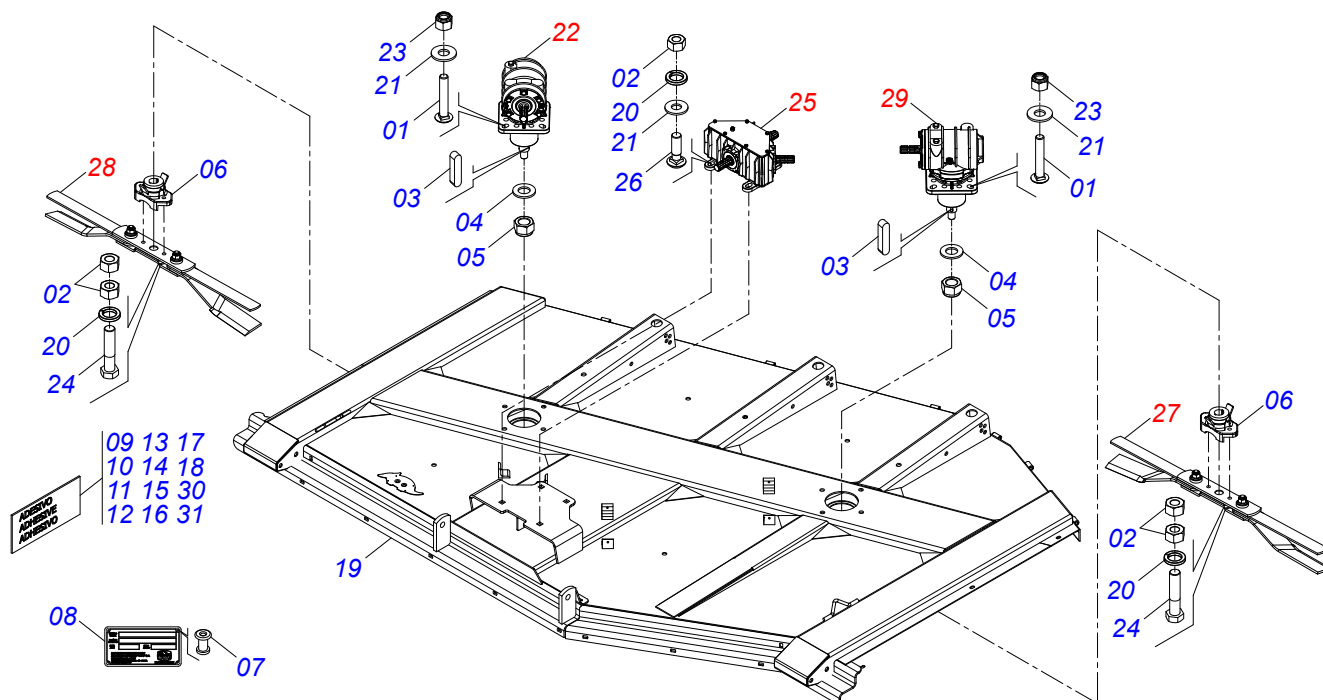
Item	Code	Description	See page	QT
01	0511067120	COVER FRONT WHEEL SUPPORT		01
02	0503012951	3/4" X 10-1/2" BOLT		01
03	0501010941	FLAT WASHER		01
04	0503011075	3/4 UNC LOCK NUT		01
05	0501053885	ARM REAR WHELL		01
05A	0511063509	14" X 8" WHELL		01
05B	0503011075	3/4 UNC LOCK NUT		01
05C	0501010941	FLAT WASHER		01
05D	0511014254	DUST CLOAK		02
05E	0503010268	00262-B SEAL		02
05F	0503010269	6204 BALL BEARING		04
05G	0521010487	SPACER WASHER		02
05H	0551011854	REAR CARRYING WHEELS AXLE		01
05I	0531014502	0.9" X 1.1" X 6.3" SLEEVE		01
05J	0503010002	GREASE FITTING 1800		01
06	0541018559	REAR WHELL CONTROL AXLE		01
07	0503030012	HITCH PIN CLIP		01

FRONT WHEEL RIGHT WITH ASSY PROTECTION

0511044473



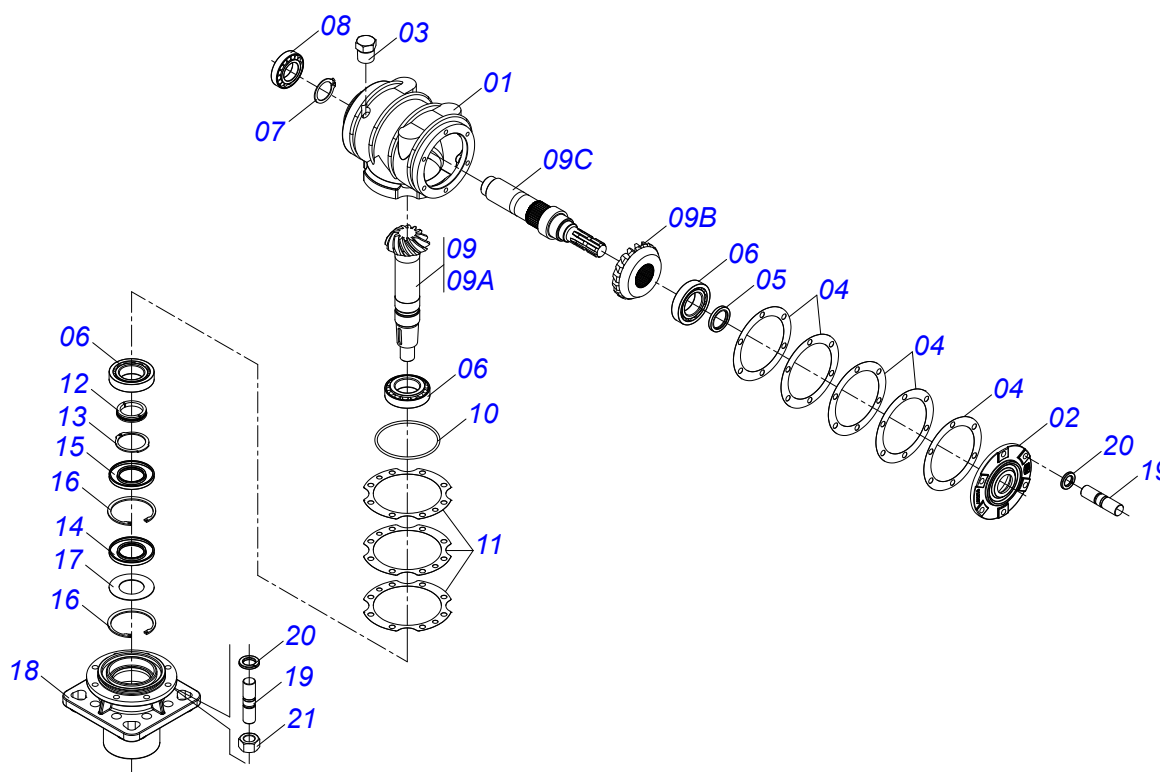
Item	Code	Description	See page	QT
01	0521061648	COVER FRONT WHEEL SUPPORT		01
02	0503012951	3/4" X 10-1/2" BOLT		01
03	0501010941	FLAT WASHER		01
04	0503011075	3/4 UNC LOCK NUT		01
05	0501053885	ARM REAR WHELL		01
05A	0511063509	14" X 8" WHELL		01
05B	0531014502	0.9" X 1.1" X 6.3" SLEEVE		01
05C	0503010269	6204 BALL BEARING		04
05D	0521010487	SPACER WASHER		02
05E	0503010268	00262-B SEAL		02
05F	0511014254	DUST CLOAK		02
05G	0551011854	REAR CARRYING WHEELS AXLE		01
05H	0501010941	FLAT WASHER		01
05I	0503011075	3/4 UNC LOCK NUT		01
05J	0503010002	GREASE FITTING 1800		01
06	0541018559	REAR WHELL CONTROL AXLE		01
07	0503030012	HITCH PIN CLIP		01



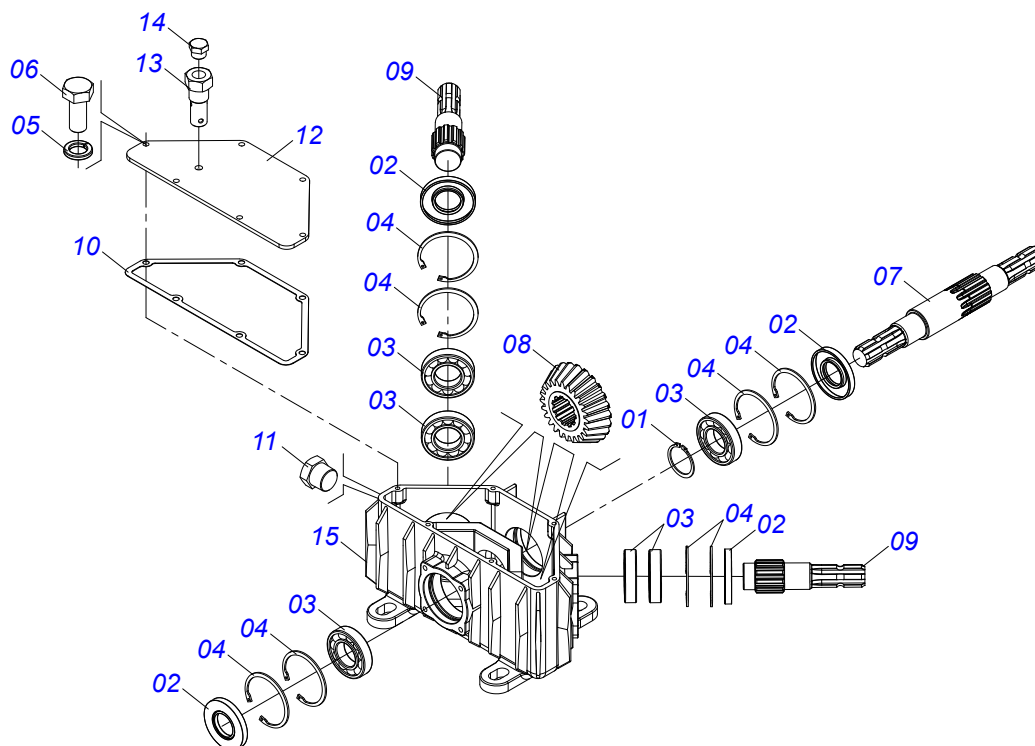
Item	Code	Description	See page	QT
01	0503017867	SCREW 3/4 UNC X 4.1/2 CAPQ G.7 ZN		08
02	0503010014	HEX NUT 3/4" ZN G.5 (HEAVY) UNC		12
03	0501010536	KEYWAY SQUARE		04
04	0501017779	FLAT WASHER 32 X 60 X 4,75		02
05	0503010817	1.1/4" SELF LOCKING NUT		02
06	0502012453	SUPPORT FLANGE		02
07	0503010001	RIVET 3,2 X 5,5		04
08	0503034003	61 X 118 SERIAL NUMBER TAG		01
09	0503031428	ATTENTION READ MANUAL DECAL		01
10	0503031427	ATTENTION POWER SPOT DECAL		01
11	0503032949	ATTENTION 3 LANGUAGES DECAL		01
12	0503031932	90 OIL RETIGHTEN LUBRICATION DECAL		01
13	0503031929	SPECIAL BLADES EQUIPMENT DECAL		01
14	0503031930	DANGER ROTATING BLADES DECAL		01
15	0503034078	LIFTING POINTS DECAL		04
16	0503032060	50 METERS DISTANCE DANGER DECAL		02
17	0503032535	SIDE CARDAN DECAL		01
18	0503032534	IMPORTANT FRICTION ADJUSTMENT DECAL		01
19	0531069407	FRAME		01
20	0503011442	3/4" SPRING WASHER		08
21	0501010322	FLAT WASHER 20.50 X 46 X 4.00 ZN		12
22	0511042525	LEFT MULTIPLICATOR	6	01
23	0503011075	3/4 UNC LOCK NUT		08
24	0503011328	3/4" X 4" BOLT		04
25	0501044074	TRIPLE DISTRIBUTOR	7	01
26	0503014249	3/4" X 2-1/2" BOLT		04
27	0541055760	SUPPORT WITH LEFT ROTARY CUTTERS	8	01
28	0541055656	SUPPORT WITH RIGHT ROTARY CUTTERS	9	01
29	0511042527	RIGHT MULTIPLIER	10	01
30	0503034333	TATU MARCHESAN LOGO DECAL		01
31	0503037370	KAPINA CITRUS DECAL		01

LEFT MULTIPLICATOR

0511042525



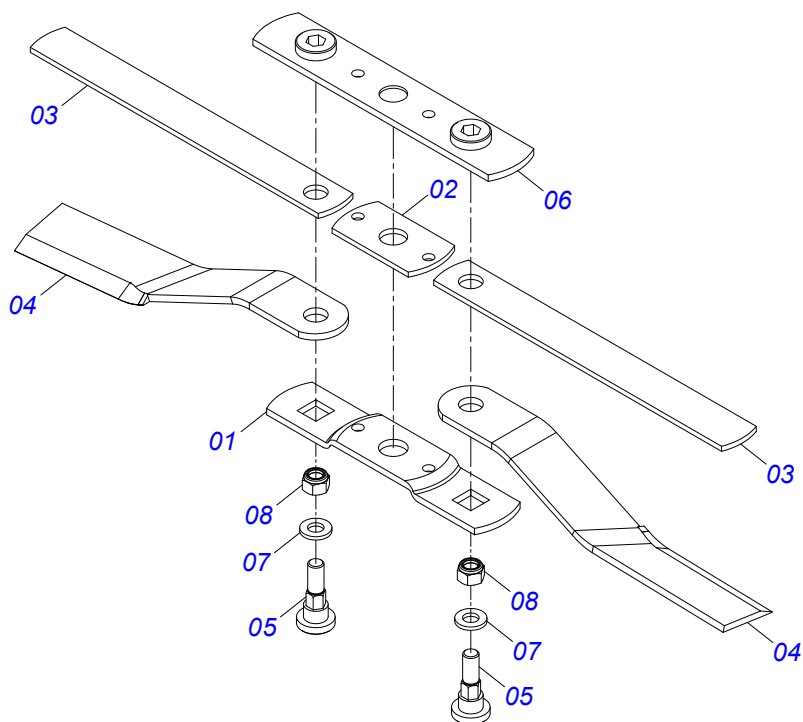
Item	Code	Description	See page	QT
01	0502012205	LEFT SPEED MULTIPLER BOX		01
02	0502012207	LEFT MULTIPLIER LID		01
03	0503031604	1/2" BSP PLUG		01
04	0503030783	7.1" X 5.3" X 0.008" JOINT		05
05	0503012103	5301 -BSEAL		01
06	0503012418	32211 ROLLER BEARING		03
07	0503014772	501056 CLAMPING RING (FOR AXLE)		01
08	0503010750	30209 BALL BEARING		01
09	0503061698	CROWN PINION SET 12Z 12Z AXLE LEFT		01
09A	0503031917	12Z LOWER CONICAL GEAR		01
09B	0503031918	18Z CONICAL GEAR		01
09C	0503032043	UPPER AXLE		01
10	0503010286	2-355 N 3006-9B O'RING		01
11	0503030785	7.9" X 5.9" X 0.008" JOINT		03
12	0531019302	LOCK RING		01
13	0503012311	501065 RENO RING		01
14	0503013201	ARCA 6016 BRG SEAL		01
15	0503013211	6016 BRG SEAL		01
16	0503011420	502100 CLAMPING RING (FOR AXLE)		02
17	0531018823	FLAT WASHER		01
18	0502012206	LOWER HUB		01
19	0503030084	1/2" X 1/2" X 2.0" STUD		14
20	0503011440	SPRING WASHER		14
21	0503010028	1/2" NUT		14



Item	Code	Description	See page	QT
01	0503010372	501050 CLAMPING RING (FOR AXLE)		01
02	0503010818	02675-BRG SEAL		04
03	0503011095	6208 BALL BEARING		06
04	0503011100	502080 CLAMPING RING (FOR AXLE)		08
05	0503011444	SPRING WASHER 5/16"		06
06	0503010240	BOLT		06
07	0503030631	CENTRAL AXLE		01
08	0503030632	24Z CONICAL GEAR		03
09	0503030633	SIDE AXLE		02
10	0503030656	13.9" X 6.1" X 0.03" JOINT		01
11	0503010856	OIL PLUG R 3/8 BSPT		01
12	0511011206	BOX COVER		01
13	0511013020	1.49" BREATHING HOLE		01
14	0511017907	1/8" BSPT X 6 PLUG		01
15	0502010861	DISTRIBUTOR BOX		01

SUPPORT WITH LEFT ROTARY CUTTERS

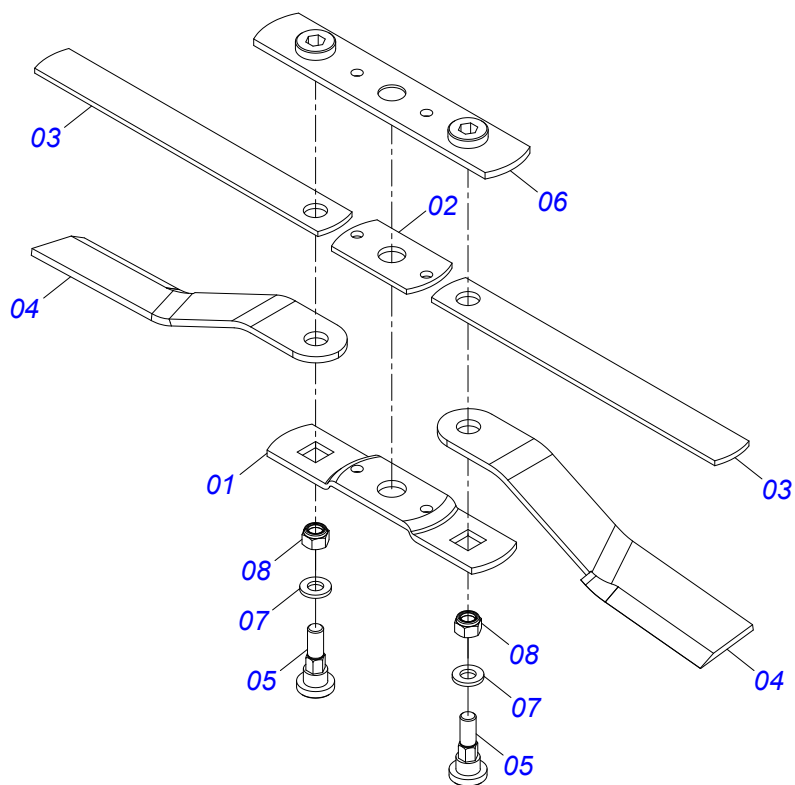
0541055760



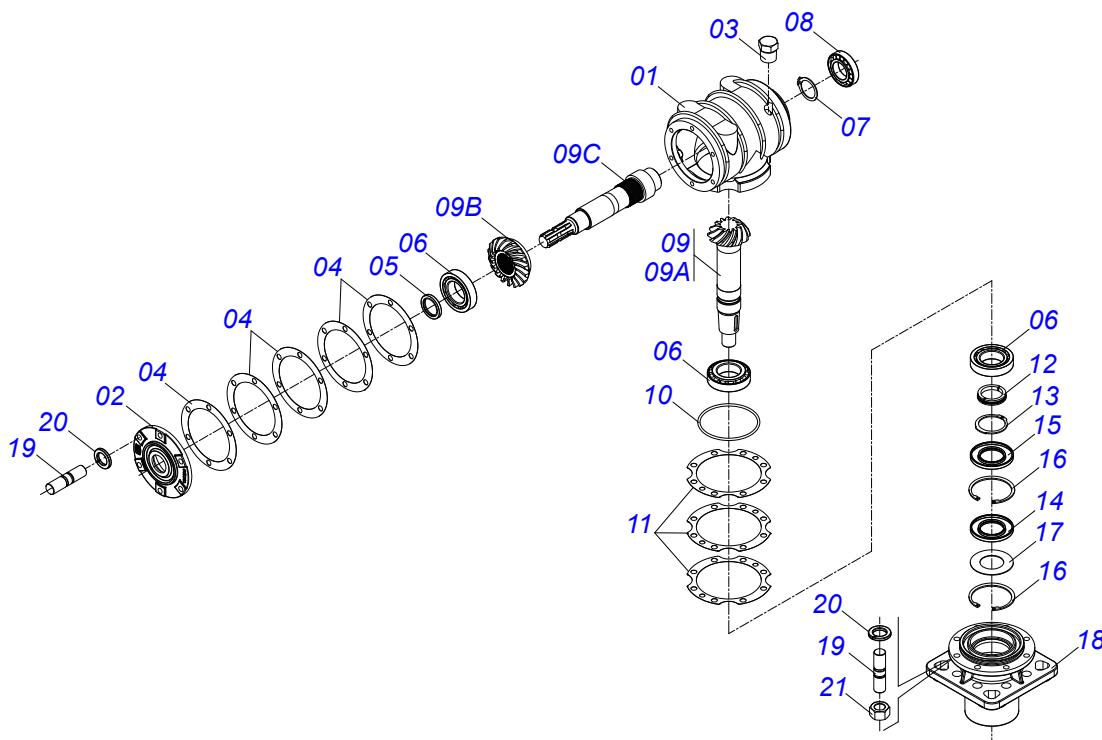
Item	Code	Description	See page	QT
01	0561017368	ROTARY LOWER SUPPORT		01
02	0561017309	ROTARY SUPPORT CHOCK		01
03	0501415559	FOLLOWER		02
04	0622400078	LEFT ROTARY CUTTERS		02
05	0541014286	FASTERNER ROCADORES		02
06	0511069195	ROTARY CUTTER FIXER		01
07	0501016545	FLAT WASHER		02
08	0503010063	1" SELF-ALIGNING NUT		02

SUPPORT WITH RIGHT ROTARY CUTTERS

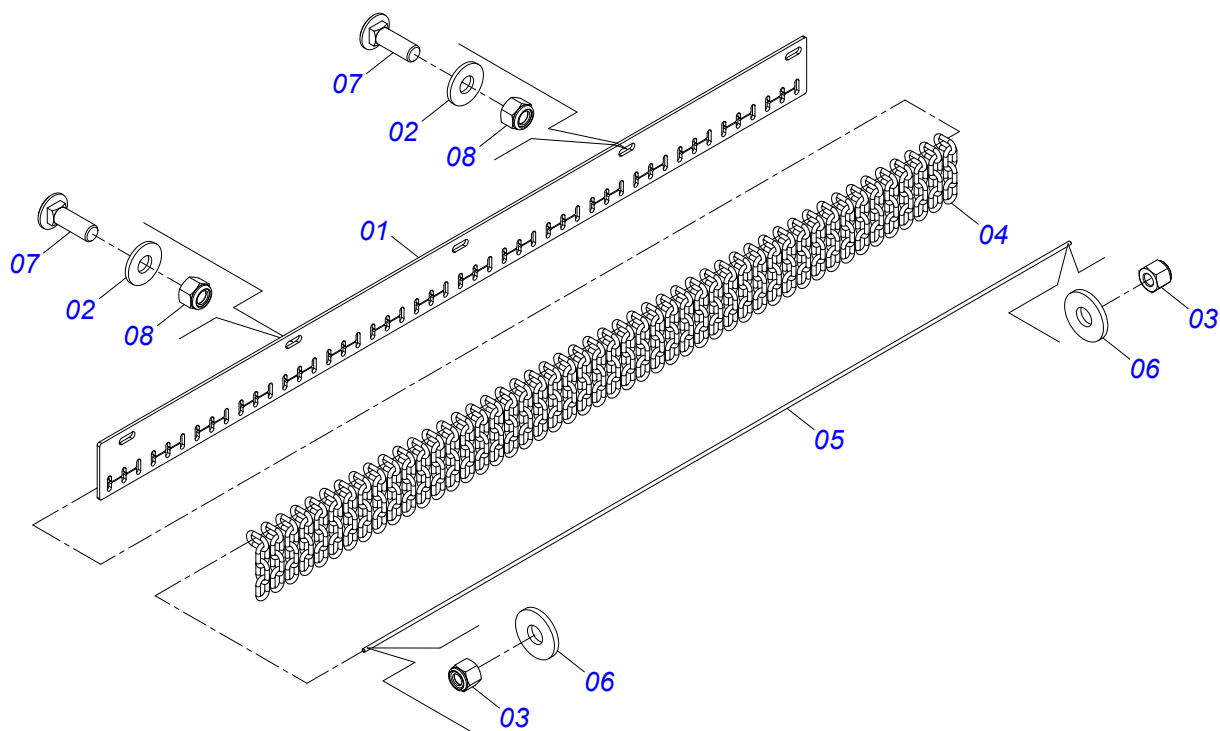
0541055656



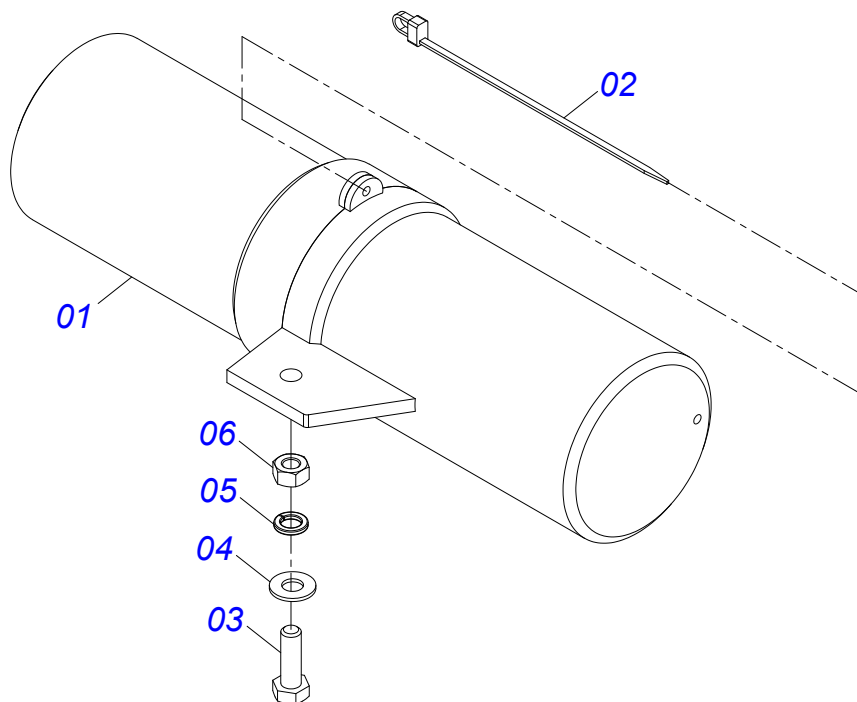
Item	Code	Description	See page	QT
01	0561017368	ROTARY LOWER SUPPORT		01
02	0561017309	ROTARY SUPPORT CHOCK		01
03	0501415559	FOLLOWER		02
04	0622400077	RIGHT ROTARY CUTTERS		02
05	0541014286	FASTERNER ROCADORES		02
06	0511069195	ROTARY CUTTER FIXER		01
07	0501016545	FLAT WASHER		02
08	0503010063	1" SELF-ALIGNING NUT		02



Item	Code	Description	See page	QT
01	0502012204	RIGHT SPEED MULTIPLIER BOX		01
02	0502012203	RH COVER MULTIPLIER		01
03	0503031604	1/2" BSP PLUG		02
04	0503030783	7.1" X 5.3" X 0.008" JOINT		05
05	0503012103	5301 -BSEAL		01
06	0503012418	32211 ROLLER BEARING		03
07	0503014772	501056 CLAMPING RING (FOR AXLE)		01
08	0503010750	30209 BALL BEARING		01
09	0503061699	CHAIN ASSY		01
09A	0503031917	12Z LOWER CONICAL GEAR		01
09B	0503031918	18Z CONICAL GEAR		01
09C	0503032058	UPPER AXLE		01
10	0503010286	2-355 N 3006-9B O'RING		01
11	0503030785	7.9" X 5.9" X 0.008" JOINT		03
12	0531019302	LOCK RING		01
13	0503012311	501065 RENO RING		01
14	0503013201	ARCA 6016 BRG SEAL		01
15	0503013211	6016 BRG SEAL		01
16	0503011420	502100 CLAMPING RING (FOR AXLE)		02
17	0531018823	FLAT WASHER		01
18	0502012206	LOWER HUB		01
19	0503030084	1/2" X 1/2" X 2.0" STUD		14
20	0503011440	SPRING WASHER		14
21	0503010028	1/2" NUT		14



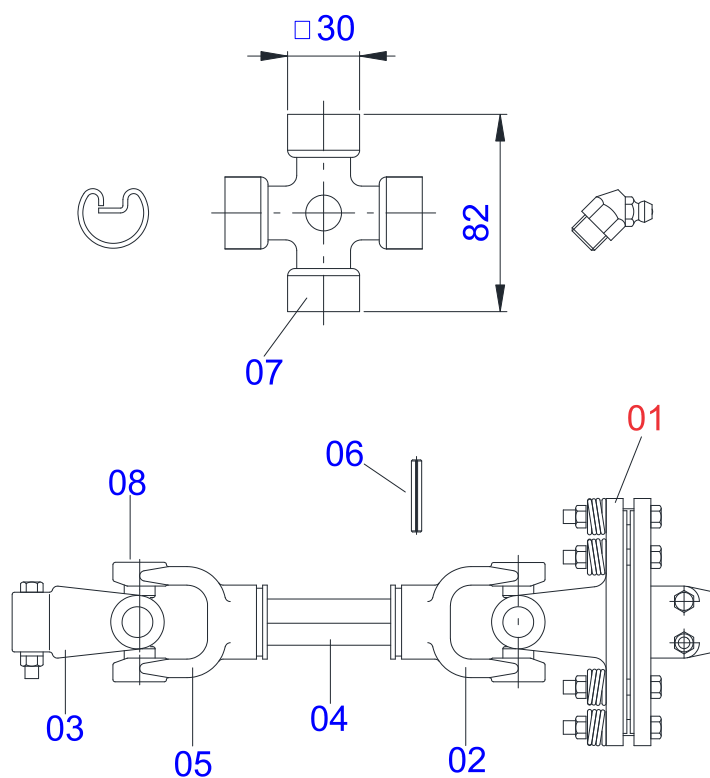
Item	Code	Description	See page	QT
01	0501415379	FRONT CHAINS PROTECTION		01
02	0511017302	FLAT WASHER 13.50 X 32.50 X 3.0 ZN		05
03	0503013759	NUT		02
04	0511011774	8,00 CHAIN 4 LINK		48
05	0501415411	CHAINS PROTECTION BAR		01
06	0501010984	FLAT WASHER 10.50 X 27 X 3.00		02
07	0503014378	BOLT 1/2" X 1-1/2"		05
08	0503010589	SELF ADJUSTING NUT 1/2" UNC		05



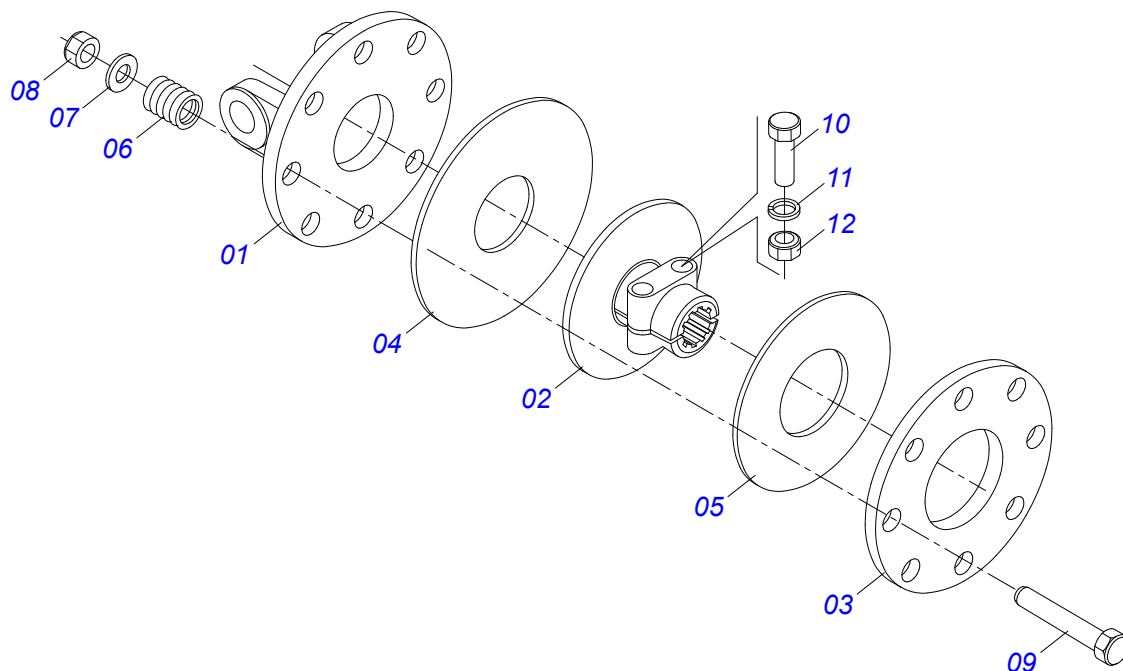
Item	Code	Description	See page	QT
01	0503060100	SUPPORT INSTRUCTION MANUAL		01
02	0503010267	NYLON CLAMP 3.60 X 1.3 X 155 MM		01
03	0503010363	BOLT 5/16 UNC X 1 C S G.2 ZN		01
04	0501010694	FLAT WASHER 8.50 X 18 X 1.50 ZN		01
05	0503010179	LOCK WASHER 5/16 ZN 1K01528		01
06	0503010337	NUT 5/16 UNC G.5 ZN		01

DRIVE SHAFT

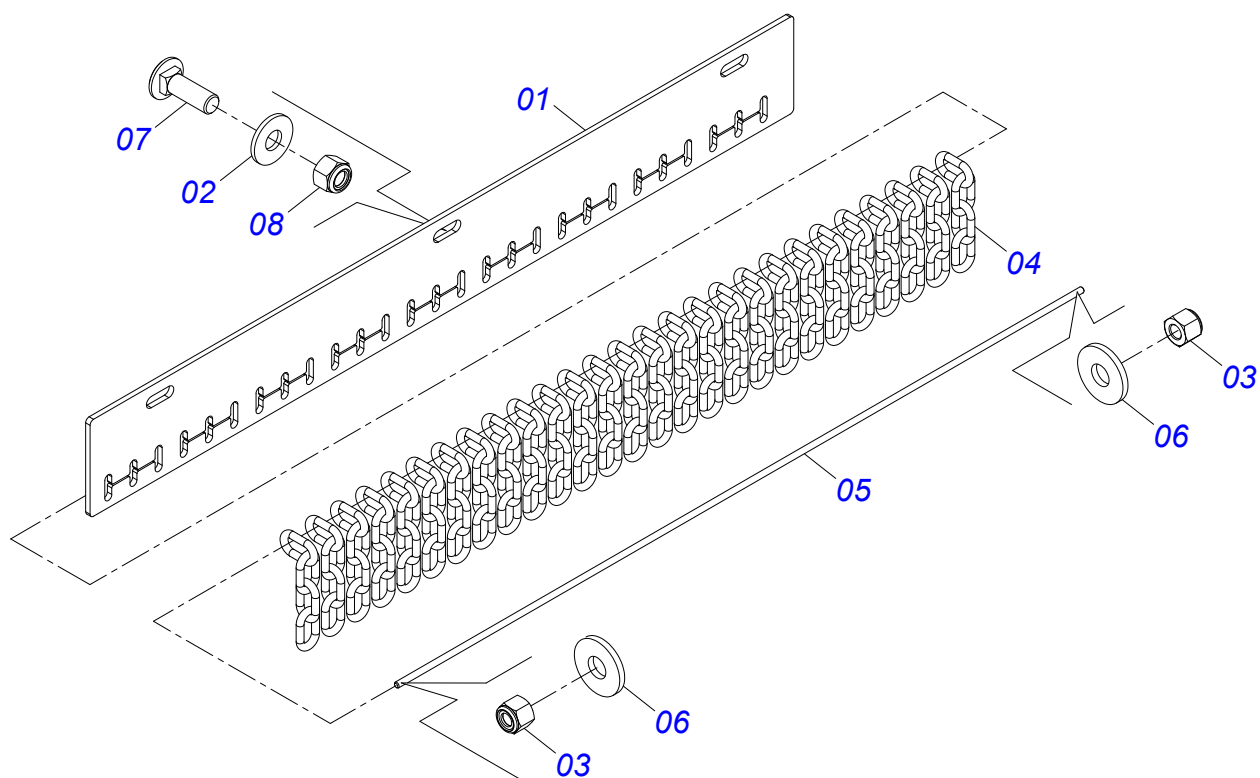
0511041381



Item	Code	Description	See page	QT
01	0501047953	90 KG/M FRICTION	14	01
02	0503013130	CC266/F TERMINAL		01
03	0503012096	CROSSPIECE		01
04	0503013133	STRIATED AXLE		01
05	0503013131	CC266 TERMINAL		01
06	0503011877	0.3" X 2.4" SPRING PIN		02
07	0503012096	CROSSPIECE		01
08	0503013132	CC292 TERMINAL		01



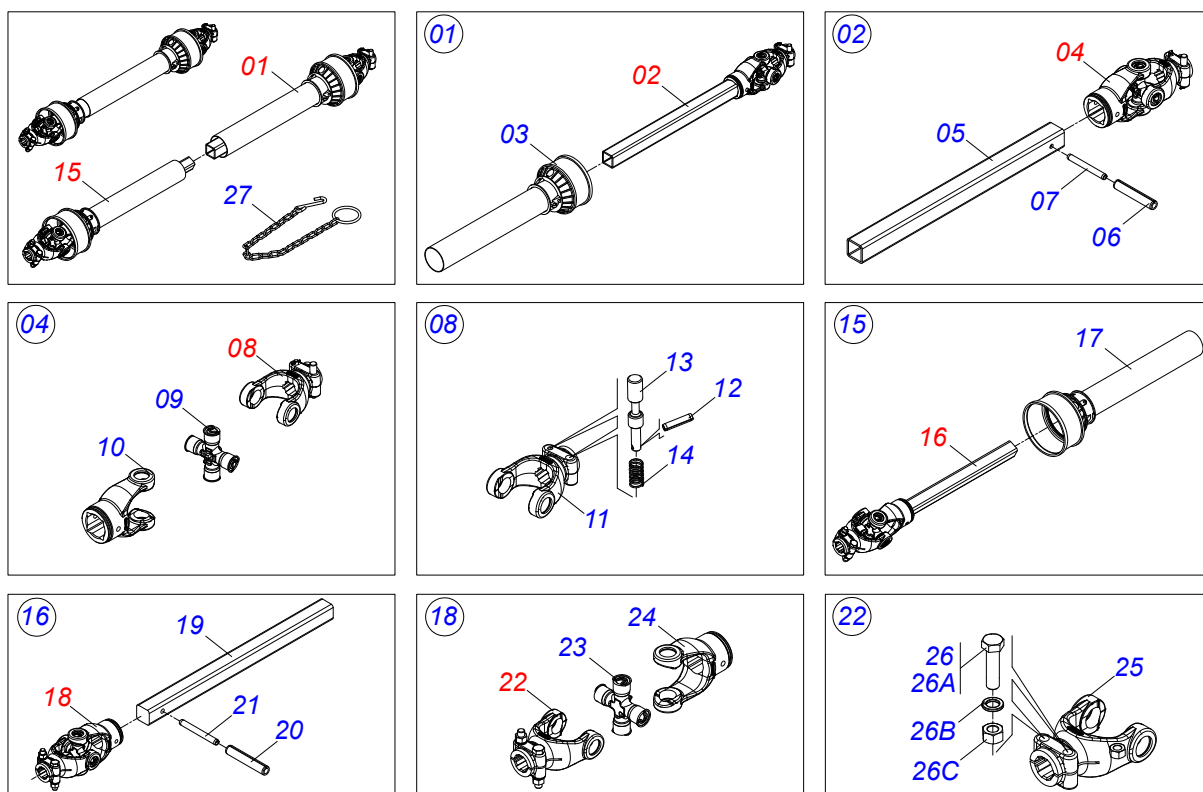
Item	Code	Description	See page	QT
01	0503012095	FRONT FLANGE		01
02	0503011869	CENTRAL FLANGE		01
03	0503011870	REAR FLANGE		01
04	0503031474	INNER FRICTION DISC		01
05	0503031478	OUTER FRICTION DISC		01
06	0503030630	1.02"X1.3"X0.2" COMPRESSION SPRING		08
07	0511017302	FLAT WASHER 13.50 X 32.50 X 3.0 ZN		08
08	0503011336	1/2" HEX SELF ADJUSTING NUT		08
09	0503010752	1/2" X 3.1/2" BOLT		08
10	0503010741	1/2" X 2-3/4" BOLT		02
11	0503010019	SPRING WASHER 1/2"		02
12	0503010060	HEX NUT 1/2 UNC G.5 ZN		02



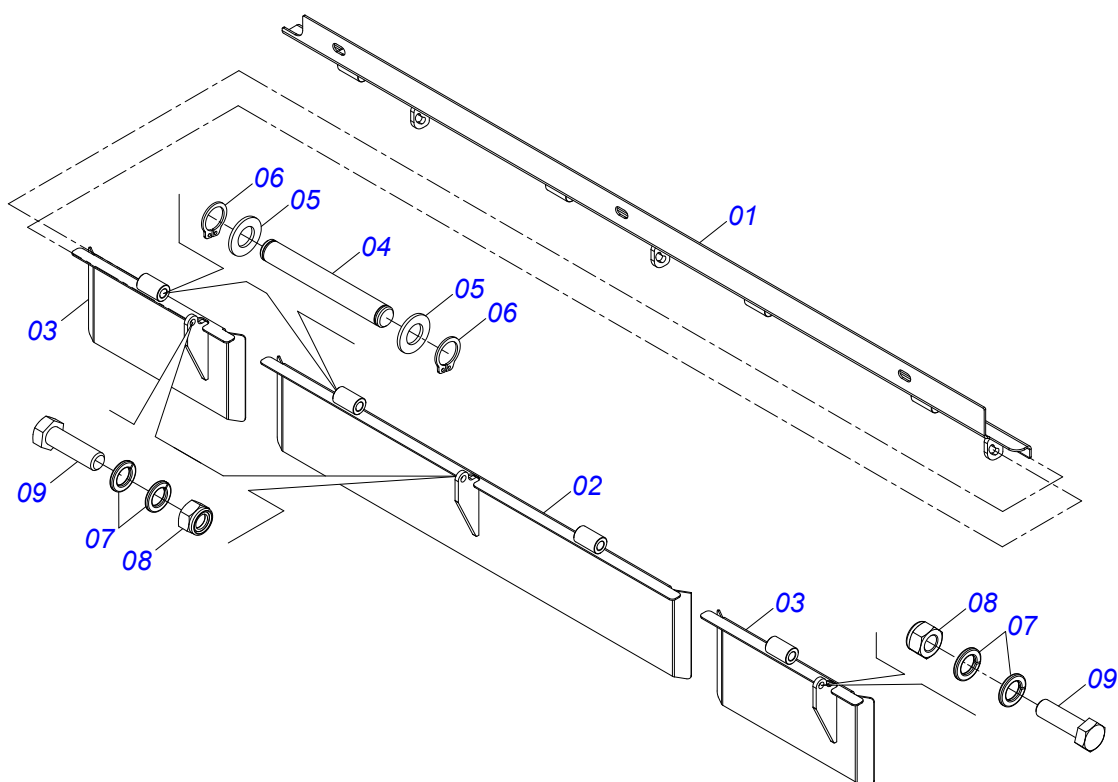
Item	Code	Description	See page	QT
01	0501415378	FRONT CHAINS PROTECTION		01
02	0511017302	FLAT WASHER 13.50 X 32.50 X 3.0 ZN		03
03	0503013759	NUT		02
04	0511011774	8,00 CHAIN 4 LINK		27
05	0501415410	CHAINS PROTECTION BAR		01
06	0501010984	FLAT WASHER 10.50 X 27 X 3.00		02
07	0503014378	BOLT 1/2" X 1-1/2"		03
08	0503010589	SELF ADJUSTING NUT 1/2" UNC		03

DRIVE SHAFT

0501047952



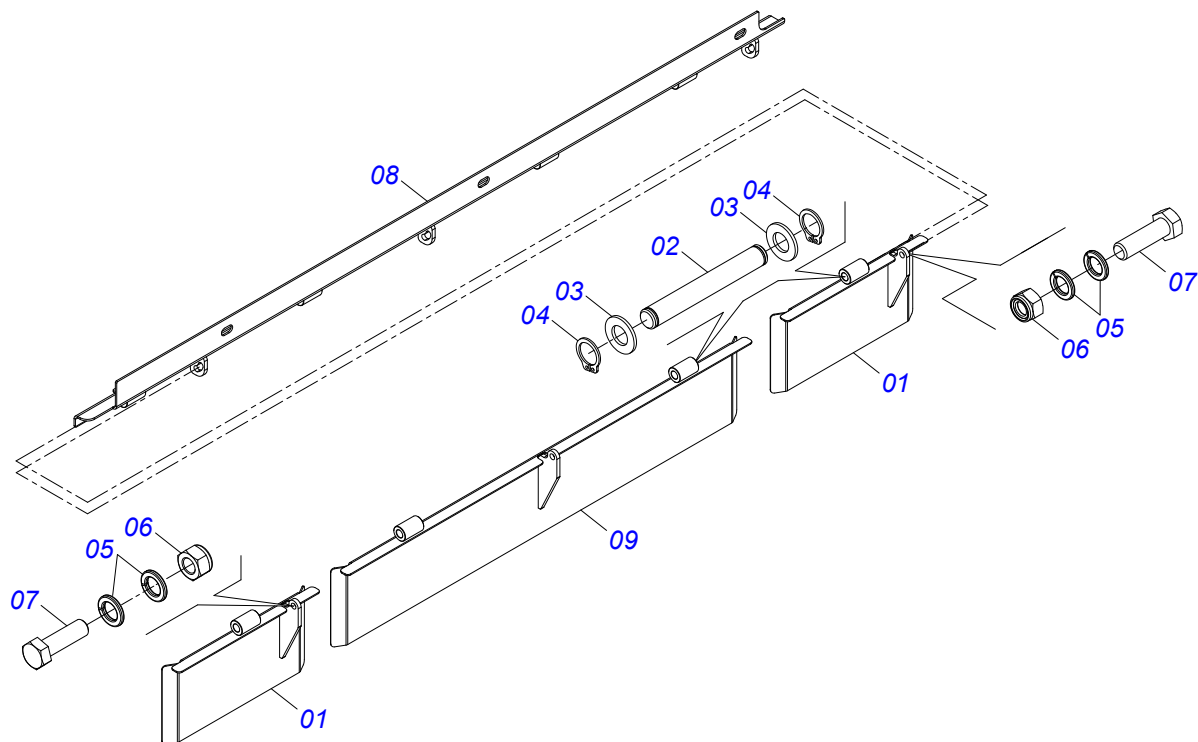
Item	Code	Description	See page	QT
01	0501051705	UNIVERSAL JOINT WITH SLEEVE/PROT		01
02	0501051707	UNIVERSAL JOINT WITH SLEEVE		01
03	0503012084	PROTECTION FOR UNIV JOINT AND SLEEVE		01
04	0501051708	UNIVERSAL JOINT		01
05	0511010332	23" X 1.8" SQUARE SLEEVE		01
06	0503010843	0.4" X 3.3" SPRING PIN		01
07	0503011878	0.2" X 3.3" SPRING PIN		01
08	0501050334	1-60 TERMINAL WITH QUICK HITCH		01
09	0503010837	CARDAN CROSSPIECE		01
10	0502011422	2-60 TERMINAL		01
11	0502010568	1-60 STRIATED 1.3/8" TERMINAL		01
12	0503010838	SPRING PIN 0.1" X 0.8"		02
13	0503037375	PIN QUICK COUPLING		02
14	0503030518	COMPRESSION SPRING 0.5"X1.0"X 0.1"		02
15	0501051706	UNIVERSAL JOINT WITH AXLE/PROT		01
16	0501051709	UNIVERSAL JOINT WITH SHAFT		01
17	0503012085	PROTECTION FOR UNIV JOINT AND AXLE		01
18	0501051710	UNIVERSAL JOINT		01
19	0511010326	1.4" X 23" SQUARE SHAFT		01
20	0503011069	SPRING PIN 0.4" X 2.8"		01
21	0503011805	0.2" X 2.8" SPRING PIN		01
22	0501052516	T6-60 TERMINAL WITH SCREW		01
23	0503010837	CARDAN CROSSPIECE		01
24	0502011424	3-60 TERMINAL		01
25	0502010830	6-60 STRIATED 1.3/8" TERMINAL		01
26	0501047756	1/2" X 3" SET PARTS		02
26A	0503010479	BOLT		01
26B	0503010019	SPRING WASHER 1/2"		01
26C	0503010060	HEX NUT 1/2 UNC G.5 ZN		01
27	0503012023	CHAIN FOR PROTECTION		02



Item	Code	Description	See page	QT
01	0511074651	RIGHT PROTECTION		01
02	0531069875	RIHT SIDE DIRECTOR		01
03	0531069874	SIDE DIRECTOR		02
04	0501213766	PIN WITH GROOVES		04
05	0503011828	FLAT WASHER 13 X 24 X 2.00 ZN		08
06	0503013219	RETAINING RING		08
07	0503010025	SPRING WASHER 3/8"		06
08	0503013357	SELF-ADJUSTING NUT 3/8"		03
09	0503010751	C3/8" X 1.1/4" HEX BOLT G.5		03

LEFT PROTECTION

0531046568



Item	Code	Description	See page	QT
01	0531069874	SIDE DIRECTOR	02	
02	0501213766	PIN WITH GROOVES	04	
03	0503011828	FLAT WASHER 13 X 24 X 2.00 ZN	08	
04	0503013219	RETAINING RING	08	
05	0503010025	SPRING WASHER 3/8"	06	
06	0503013357	SELF-ADJUSTING NUT 3/8"	03	
07	0503010751	C3/8" X 1.1/4" HEX BOLT G.5	03	
08	0531069872	LEFT PROTECTION	01	
09	0531069873	LEFT SIDE DIRECTOR	01	



MARCHESAN

Technical Publications | Elaboration and Revision

VINICIUS EDUARDO DA SILVA

www.marchesan.com.br

