

OFFSET DISK HARROW

**GCRO 7010 AXLE 2.1/8" HYDRAULIC ARTICULATED
56 DISCS**

**GCRO 7010 EIXO 2.1/8" ARTICULADA HIDRÁULICA
56 DISCOS**

Code: 0501094002
Series: S-0915
Revision: 00
Revision Date: OCTOBER/2024

PARTS CATALOGUE



MARCHESAN



PRODUCTS

Code	Working Width	Description
0102560358		GCRO 7010 56X30X9,0 DR DMO HID E 2.1/8 ESP S-0915

ATTENTION: IMPORTANT

Marchesan S.A. reserves the right to improve and/or modify the technical features of its products, without obligation to do the same with those products already sold and without prior knowledge of the dealer or the customer. The photos are only illustrative.

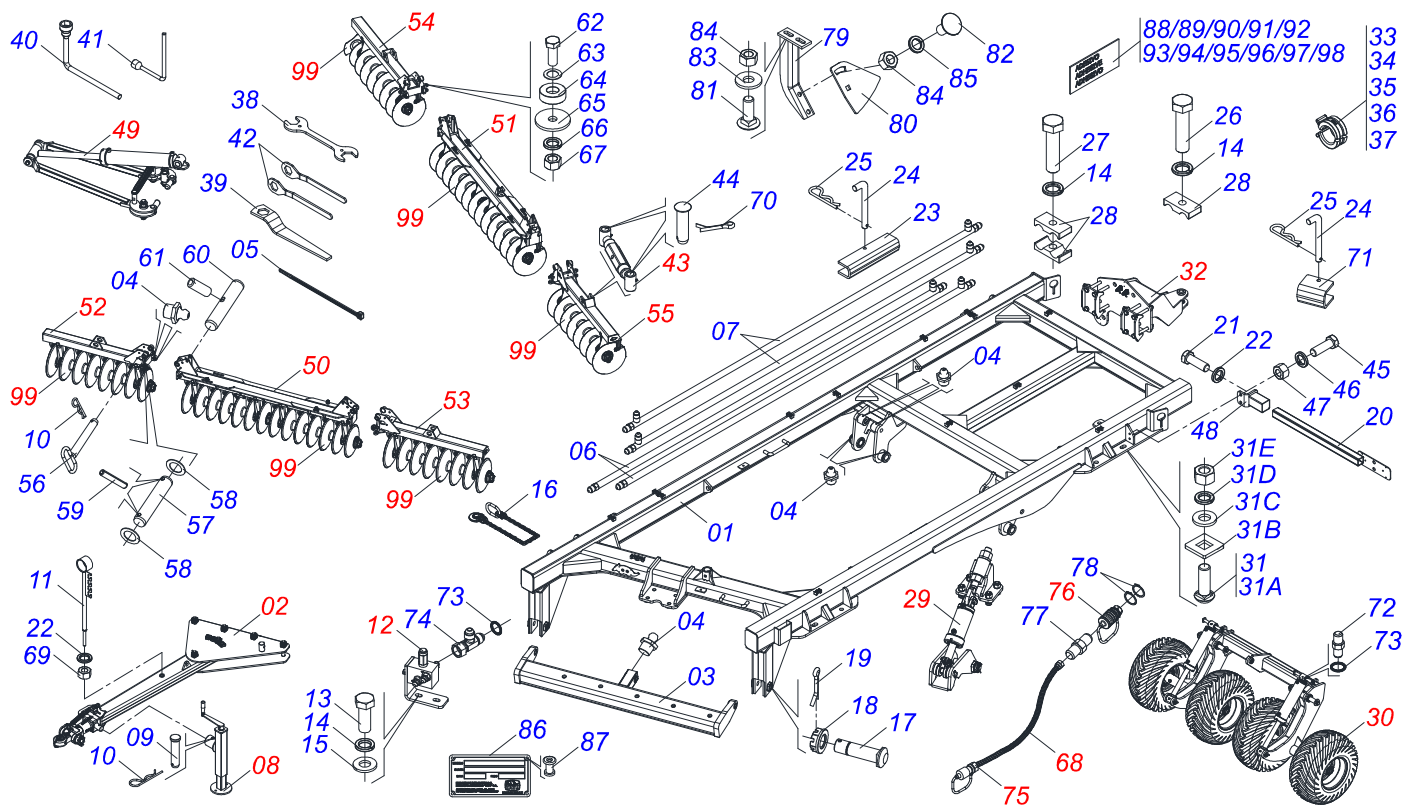


MARCHESAN

INDEX

0909097384	ASSY FRAME	1
0521041823	TRACTION BAR ASSY (PIN 3")	2
0531040171	HITCH ASSY	3
0511048088	DRAWBAR JACK	4
0511059196	VALVE ASSY	5
0909093462	HEAD ARTICULATED ASSY	6
0521046001	HYDRAULIC CILINDER 50,80 X 101,60 X 410 X 107	7
0909093463	WHEEL ASSY	8
0521051832	HYDRAULIC CYLINDER 53,98 X 114,30 X 654 X 346	9
0501056467	WHEEL WITHOUT TIRE	10
0503060102	WHEEL AND TIRE 400/60 - 14L RIGHT	11
0909092741	REAR COUPLING KIT	12
0501053835	FEMALE QUICK COUPLER	13
0501052005	STABILIZER FOR GANG	14
0909092839	ARTICULATOR ASSY	15
0501057274	LH REAR DRIVER ARM	16
0501057273	PIVOT ARM ASSY	17
0511057940	HYDRAULIC CILINDER	18
0511058385	HOSE GAME	19
0501053834	MALE QUICK COUPLER	20
0909097385	DISC GANG ASSY	21
0521049050	DM OL 266 X 2.1/8 AGRICULTURAL BEARING	22
0521055278	OSCILLATING BEARING	23

ASSY FRAME



Item	Code	Description	See page	QT
01	0521066477	FRAME		01
02	0521041823	TRACTION BAR ASSY (PIN 3")	2	01
03	0521066494	HITCH BAR		01
04	0503010002	1800 GREASE FITTING		39
05	0503010267	NYLON CLAMP 3,60 X 1,3 X 155 MM		12
06	0521066937	OIL DISTRIBUTOR DUCT		02
07	0521066126	DISTRIBUTOR OIL TUBE		02
08	0511048088	DRAWBAR JACK	4	01
09	0561014251	COUPLING SHAFT		01
10	0503030012	HITCH PIN CLIP		05
11	0521062849	HOSE HOLDER ASSY		01
12	0511059196	VALVE ASSY	5	01
13	0503011173	7/16" X 2" BOLT		02
14	0503010180	7/16" SPRING WASHER		16
15	0501012803	FLAT WASHER 12 X 30 X 3,00 ZN		02
16	0503013150	1300 X 3/8" CHAIN		01
17	0531018100	37,50 X 200 COUPLING SHAFT		02
18	0501011301	1.1/2" UNC 6FPP 2.5/16" NUT		02
19	0503010010	1/4" X 2.1/2" SPLIT PIN		02
20	0521066443	SUPPORT FIXER LANTERN		02
21	0501010098	BOLT 3/4" UNC X 2 C S G.5 ZN		01
22	0503010023	3/4" SPRING WASHER		02
23	0561016693	TRANSPORT LOCK		02
24	0541016844	FIXER LOCK		03
25	0503030285	HITCH PIN CLIP		03
26	0503011135	BOLT 7/16" UNC X 1.1/2" C S G.5 ZN		09
27	0503011103	BOLT 7/16" UNC X 2.1/2" C S G.5 ZN		02
28	0502010477	HOSE CLAMP		18
29		HEAD ARTICULATED ASSY	6	
30		WHEEL ASSY	8	
31	0501041102	1-1/4" X 3-3/4" ASSY BOLT		08
31A	0501015348	1-1/4" X 3-3/4" BOLT		01



ASSY FRAME

0909097384

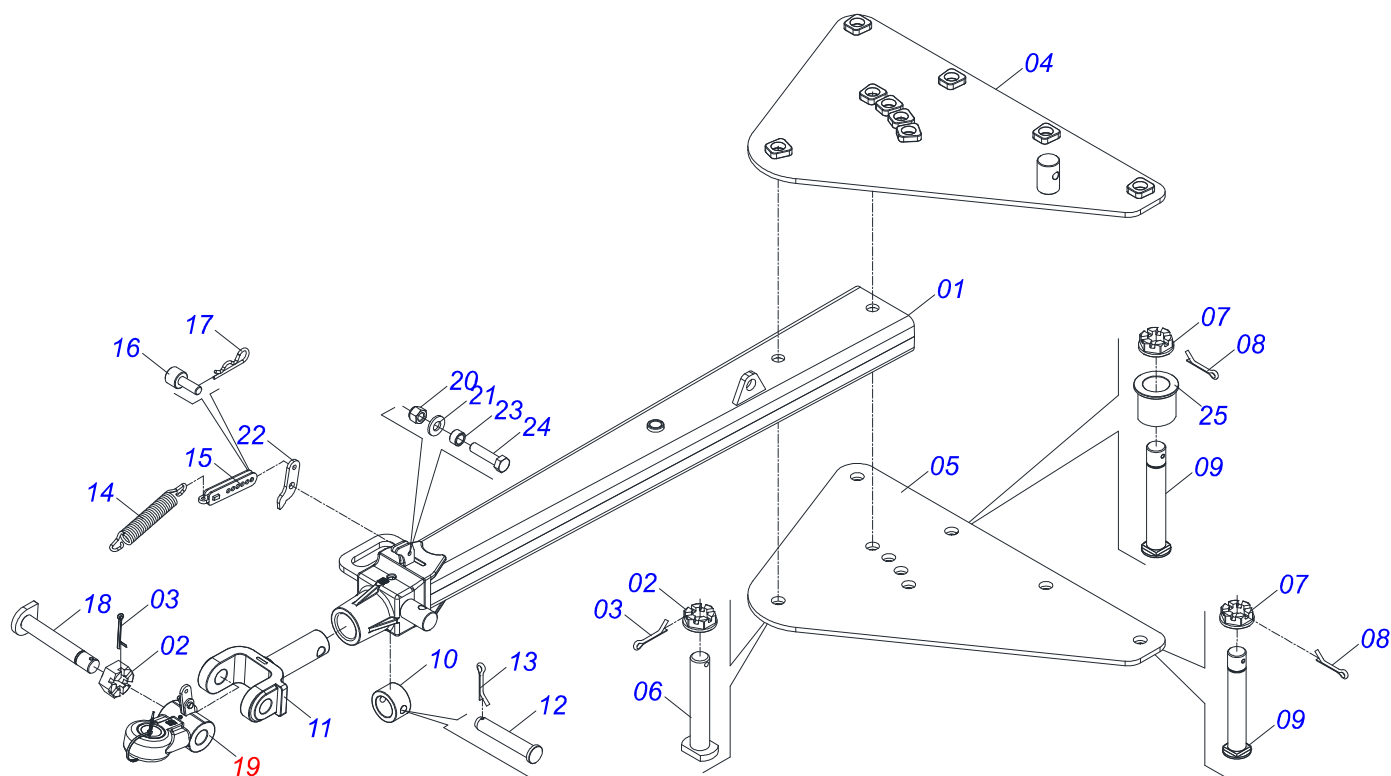
Item	Code	Description	See page	QT
31B	0501010953	1-1/4" SQUARE WASHER		01
31C	0531010713	FLAT WASHER		01
31D	0503010070	SPRING WASHER		01
31E	0501010087	1.1/4" NUT		01
32		REAR COUPLING KIT	12	
33	0501047895	25 ROD STOP		06
34	0501047885	30 ROD STOP		03
35	0501047886	35 ROD STOP		03
36	0501047887	40 ROD STOP		03
37	0501047888	45 ROD STOP		03
38	0541015451	WRENCH 2.3/8 X 2.3/4		01
39	0501011432	1-1/2" AND 1-5/8 GANG BOLT WRENCH		01
40	0503015723	WRENCH CYLINDRICAL 7/8		01
41	0503016137	1-1/4" WRENCH CABLE CYLINDER		01
42	0501316941	KEY 2.1/8 AND 2.1/2		02
43	0501052005	STABILIZER FOR GANG	14	01
44	0521010546	1.2" X 5.7" COUPLING SHAFT		02
45	0503011082	C1/2" X 1.3/4" SCREW		04
46	0503010019	1/2" SPRING WASHER		04
47	0503010060	1/2 UNC G.5 ZN HEX NUT		04
48	0521066624	FIXER SUPPORT LANTERN		02
49		ARTICULATOR ASSY	15	
50	0521067594	FRONT CENTRAL FRAME		01
51	0521067593	REAR CENTRAL FRAME		01
52	0531062192	RIGHT SIDE FRONT FRAME		01
53	0531062194	LEFT SIDE FRONT FRAME		01
54	0531062188	RIGHT SIDE REAR FRAME		01
55	0531062190	FRAME REAR LEFT SIDE		01
56	0501069463	1" X 8" LOCK PIN		04
57	0521011720	2.0" X 15.7" COUPLING SHAFT		04
58	0511019776	FLAT WASHER		08
59	0503011069	0.4" X 2.8" SPRING PIN		08
60	0541016676	1.1/2 X 175 AXLE		04
61	0503013662	1/2" X 1" BOLT		04
62	0503010233	5/8 UNC X 2.1/2 CS G.5 ZN BOLT		04
63	0571010265	16,50 X 40 X 3,00 ZN FLAT WASHER		04
64	0581011153	FRAME BEATER		04
65	0571013284	17,50 X 90 X 4,75 FLAT WASHER		04
66	0503010027	5/8 SPRING WASHER		04
67	0503010013	5/8 UNC G.5 ZN HEX NUT		04
68	0511058385	HOSE GAME	19	01
69	0503010014	3/4" ZN G.5 (HEAVY) UNC HEX NUT		01
70	0503010523	1/4 X 2 SPLIT PIN		02
71	0581010751	TRANSPORT LOCK		01
72	0501010617	NIPLE 3/4" NF X 3/4" NF HEX. 7/8" X 44		08
73	0503010190	2-114 N 3006-9B O'RING		08
74	0503011968	NUT 3/4" 8R6X-S T ADAPTER WITH SWIVEL		02
75	0501053834	MALE QUICK COUPLER	20	04
76	0501053835	FEMALE QUICK COUPLER	13	02
77	0571015342	3/4" NIPLE		02
78	0503010217	501040 CLAMPING RING (FOR AXLE)		04
79	0521061053	CLEANER SUPPORT		57
80	0561014263	CLEANER SHOVEL		57
81	0503012699	BOLT 5/8NC X 2 CAPQ G.5 ZN 1K20548		114
82	0503012195	5/8" NUT		114
83	0501012140	FLAT WASHER 16,50 X 40 X 4,00 ZN		114
84	0503010013	5/8 UNC G.5 ZN HEX NUT		228
85	0503010027	5/8 SPRING WASHER		114
86	0503034003	61 X 118 SERIAL NUMBER TAG		01
87	0503010001	RIVET 3,2 X 5,5		04
88	0503031739	DANGER DECAL		01



ASSY FRAME

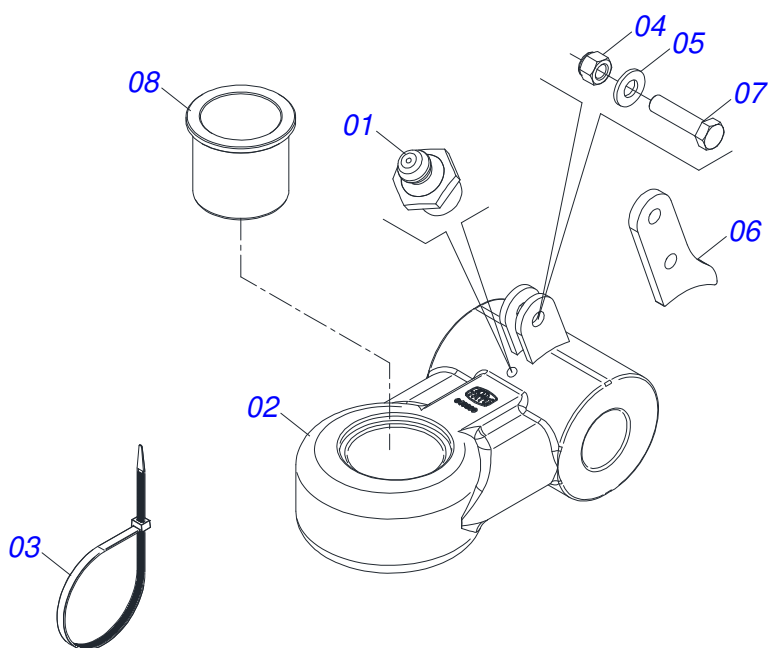
0909097384

Item	Code	Description	See page	QT
89	0503033943	ADHESIVE LABEL		02
90	0503035340	TATU LOGO DECAL		02
91	0503031087	AUTO CONTROL APPROVED DECAL		01
92	0503031428	ATTENTION READ MANUAL DECAL		01
93	0503031827	DAILY LUBRICATION AND RETIGHTENING DECAL		01
94	0503031737	ADHESIVE LABEL		03
95	0503031896	DANGER DECAL		01
96	0503033038	DANGER DECAL		01
97	0503034078	LIFTING POINTS DECAL		04
98	0503034499	HOSE IDENTIFICATION DECAL		01
99		DISC GANG ASSY	21	

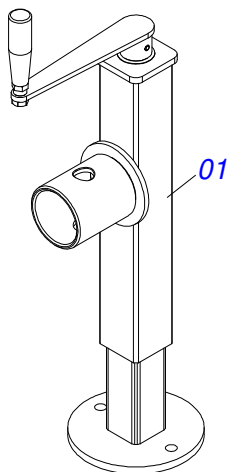


Item	Code	Description	See page	QT
01	0521068249	TRACTION BAR (AXLE 2)		01
02	0502040558	2" CASTLE NUT		02
03	0503010074	3/8" X 4" SPLIT PIN		02
04	0521068246	UPPER PLATE (AXLE 2)		01
05	0521068247	LOWER PLATE (AXLE 2)		01
06	0521068248	JUNCTION AXLE WITH LOCK		01
07	0501811301	CASTLE NUT		05
08	0503010010	1/4" X 2.1/2" SPLIT PIN		05
09	0521811880	37,50 X 230 X PQ R.1./2 JUNCTION AXLE		05
10	0502040263	HITCH LOCK RING		01
11	1902040897	TRACTOR HITCH		01
12	0561017306	COUPLING SHAFT		01
13	0503010523	1/4 X 2 SPLIT PIN		01
14	0503031741	1.8" X 11.4" 0.3" TRACTION SPRING		01
15	0531061607	SPRING REGULATOR		01
16	0591014558	SPRING REGULATOR FIXER AXLE		01
17	0503030285	HITCH PIN CLIP		01
18	0531061122	AXIS ARTICULATOR		01
19	0531040171	HITCH ASSY	3	01
20	0503010589	1/2" UNC SELF ADJUSTING NUT		01
21	0501010937	13,50 X 28 X 3,00 FLAT WASHER		01
22	0591014554	REAR SUPPORT FIXING SPRING		01
23	0591014552	SLEEVE		01
24	0503010740	BOLT 1/2 UNC X 2 CS G.5 ZN		01
25	0591013086	SLEEVE 52,8 X 78 X 76 (PIN 2")		01

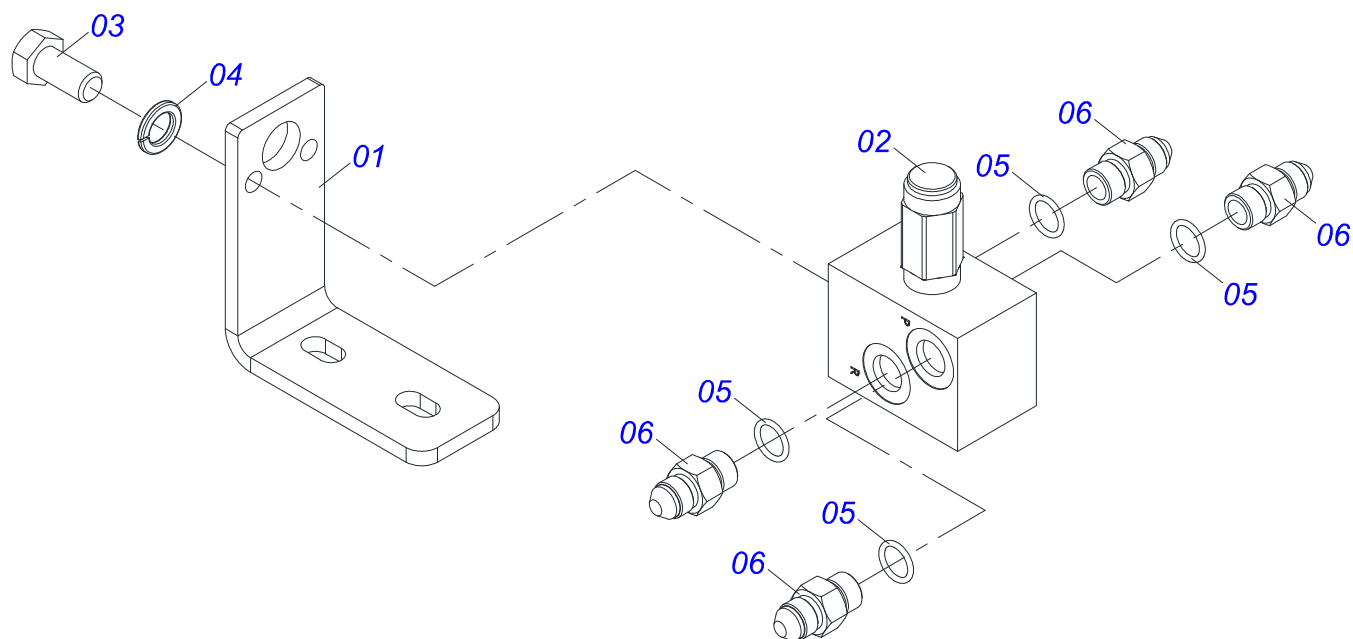
HITCH ASSY



Item	Code	Description	See page	QT
01	0503010002	1800 GREASE FITTING		01
02	0531061121	HITCH		01
03	0503018829	NYLON CLAMP 7,8 X 1,8 X 390 MM		01
04	0503010589	1/2" UNC SELF ADJUSTING NUT		01
05	0501010937	13,50 X 28 X 3,00 FLAT WASHER		01
06	0591014555	FRONT SUPPORT FIXING SPRING		01
07	0503010740	BOLT 1/2 UNC X 2 CS G.5 ZN		01
08	0591013448	SLEEVE 65,50 X 78 X 76 (PIN 2.1/2")		01

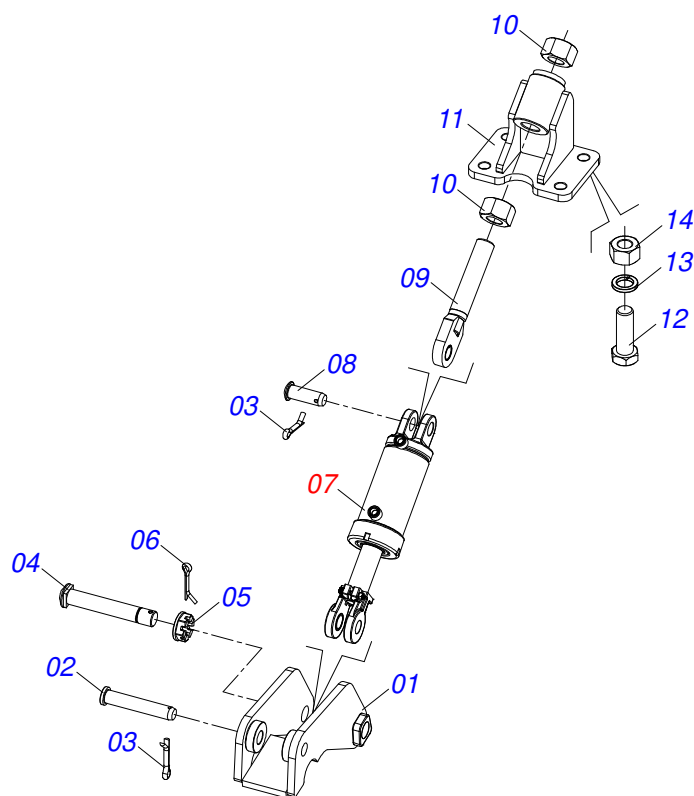


Item	Code	Description	See page	QT
01	0503062227	DRAWBAR JACK		01

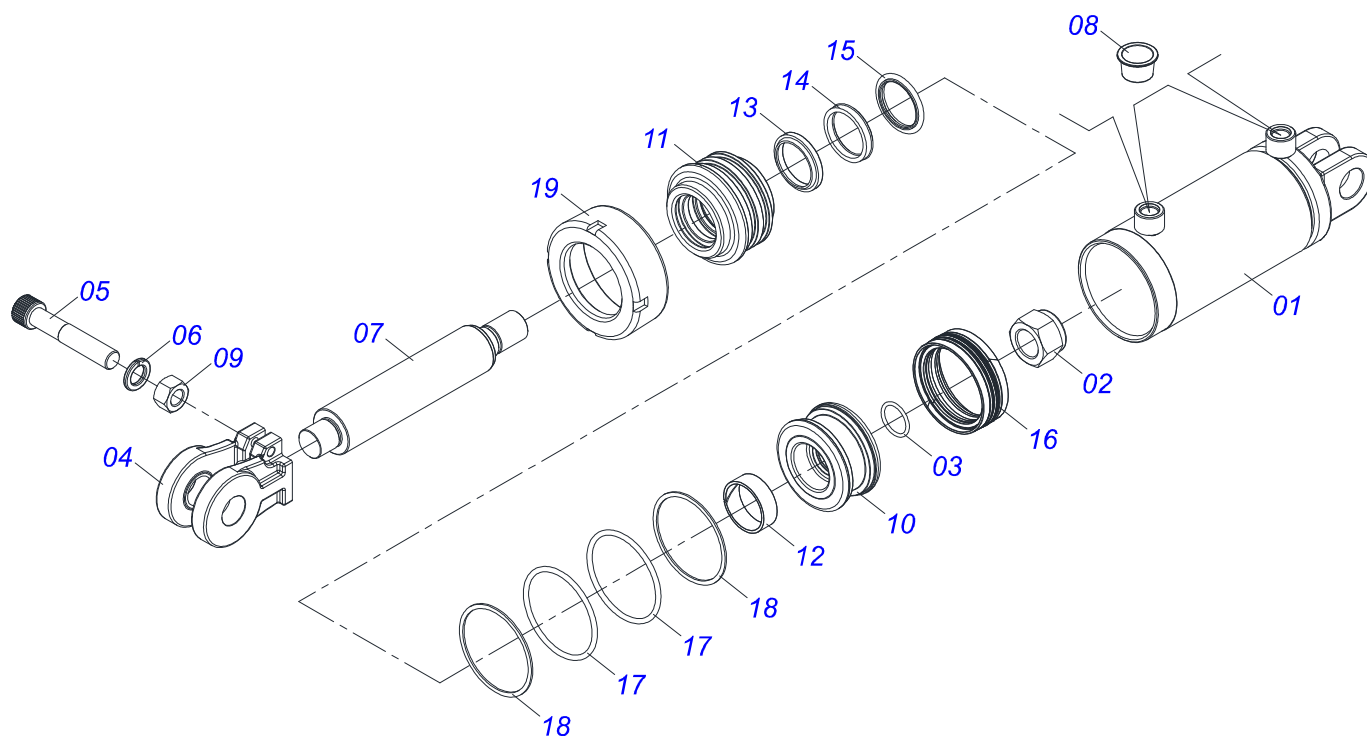


Item	Code	Description	See page	QT
01	0581011745	VALVE SUPPORT		01
02	0503010919	DISCHARGE VALVE		01
03	0503011334	3/8 UNC X 3/4 CS G.5 ZN BOLT		02
04	0503010025	3/8" SPRING WASHER		02
05	0503010190	2-114 N 3006-9B O'RING		04
06	0501010617	NIPLE 3/4" NF X 3/4" NF HEX. 7/8" X 44		04

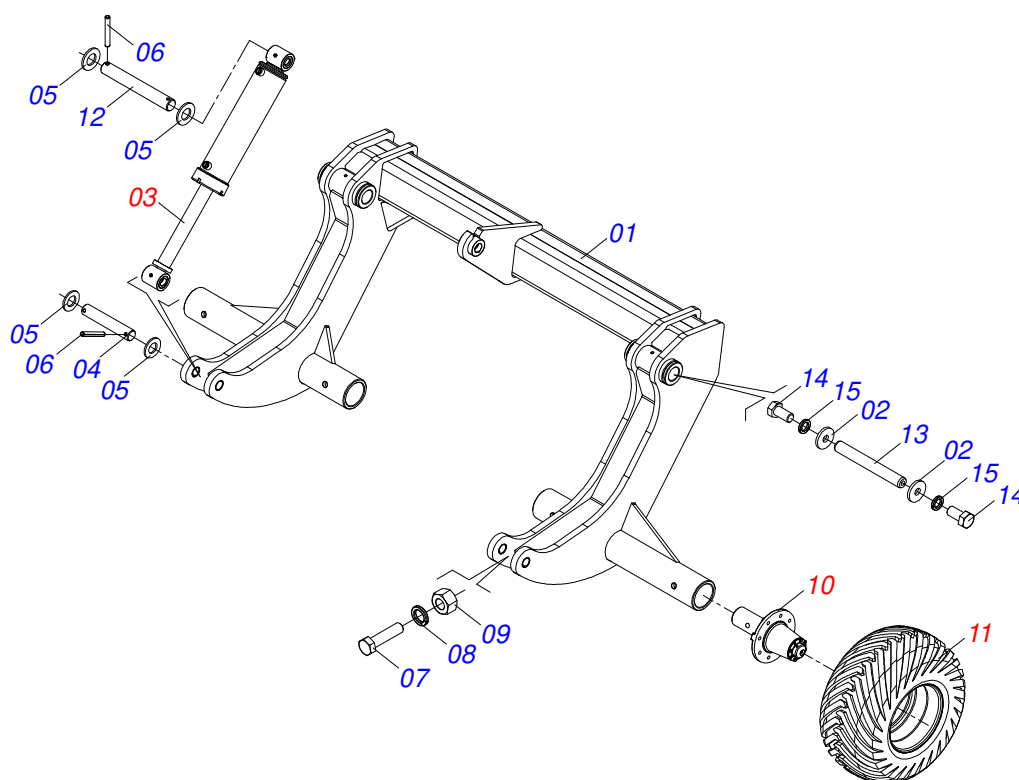
HEAD ARTICULATED ASSY



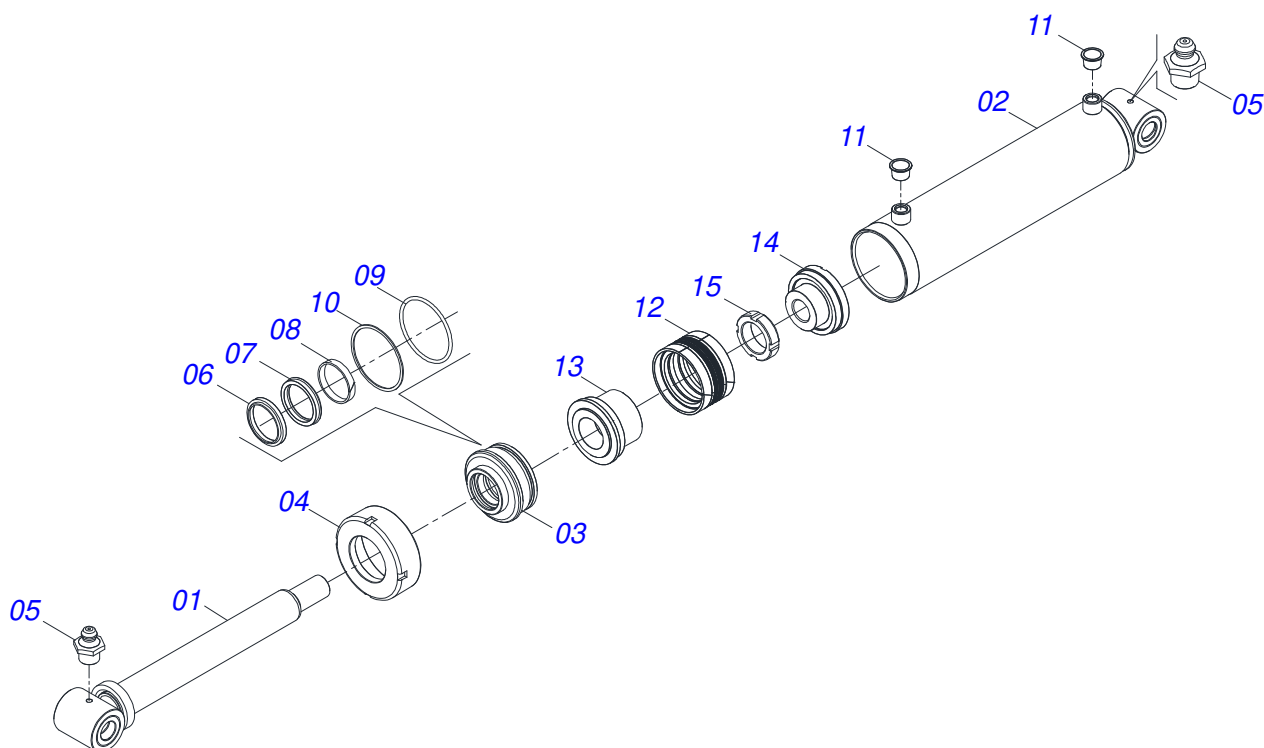
Item	Code	Description	See page	QT
01	0511064656	DRAWBAR PIVOT		01
02	0531019171	1.25" X 7" COUPLING SHAFT		01
03	0503010523	1/4 X 2 SPLIT PIN		02
04	0521812053	1.5" X 8.6" AXLE		01
05	0501011301	1.1/2" UNC 6FPP 2.5/16" NUT		01
06	0503010010	1/4" X 2.1/2" SPLIT PIN		01
07	0521046001	HYDRAULIC CILINDER 50,80 X 101,60 X 410 X 107	7	01
08	0521012538	1.2" X 3.5" COUPLING SHAFT		01
09	0511064433	REGULATOR SPINDLE 1-3/4		01
10	0501010333	1.3/4" NUT		02
11	0521066580	CYLINDER FIXER		01
12	0501010276	BOLT		04
13	0503010012	1" SPRING WASHER		04
14	0501010059	1.5/8 NUT		04



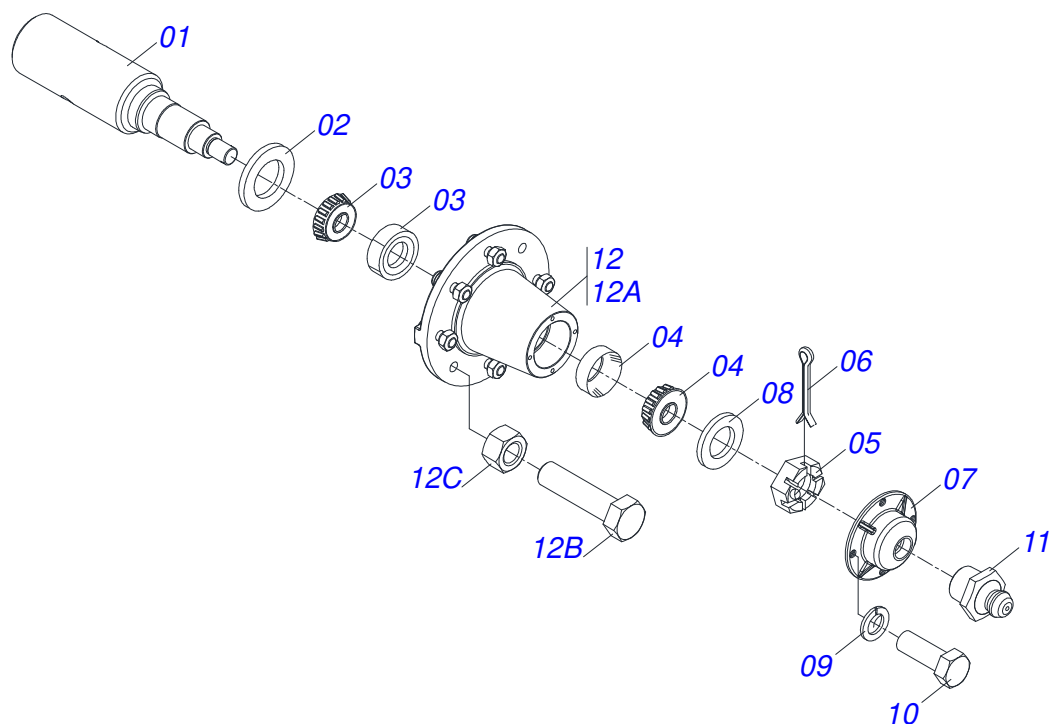
Item	Code	Description	See page	QT
01	0521066575	101,60 X 298 CYLINDER CASE		01
02	0503010817	1.1/4" SELF LOCKING NUT		01
03	0503018029	O'RING 2-217 N 3006 90B		01
04	0502040747	32.54 CLEVIS CLAMP		01
05	0503011094	BOLT 3/8" UNC X 2" C C S I 12.9		01
06	0503011443	SPRING WASHER 3/8"		01
07	0581010749	50,80 X 294 TURNBUCKLE		01
08	0503030384	PLUG N-001		02
09	0503010026	3/8" NUT		01
10	0502012820	2" X 4" PISTON		01
11	0502012821	2" X 4" RING SUPPORT		01
12	0503018025	RING GUIDE W2-2250-750		01
13	0503010039	D-2000 SCRAPER RING		01
14	0503018026	GASKET 1870-2000-375 B POLYMAX		01
15	0503018024	RING BS OD050805200171D-BR		01
16	0503015633	SELEMASTER SEALING		01
17	0503010338	2-342 N 3006-9B O'RING		02
18	0503011061	8-342 BACK-UP RING		02
19	0502012822	END CAP 4"		01



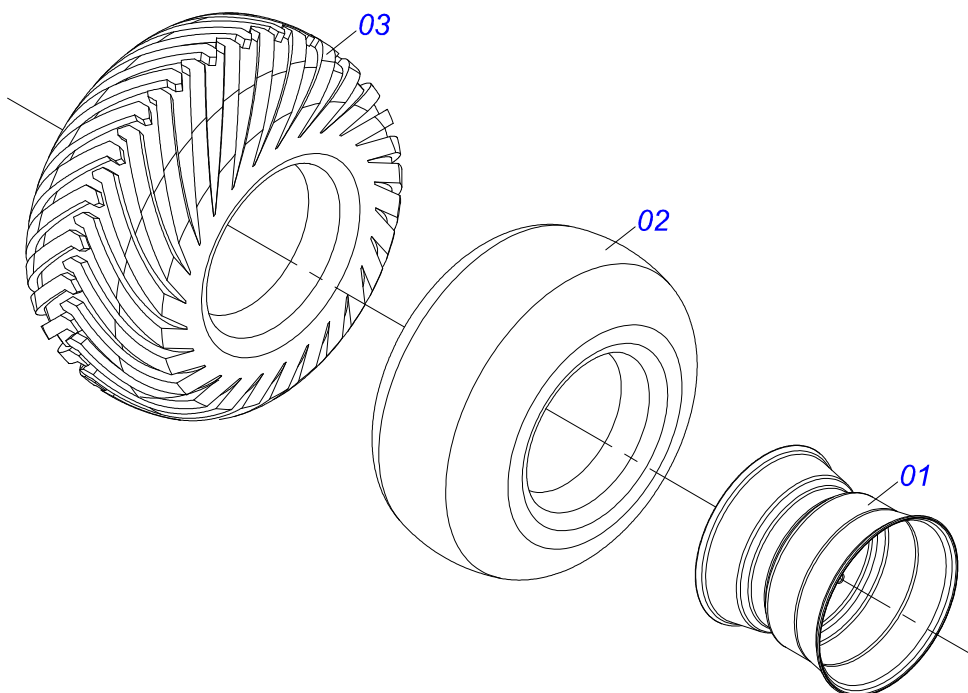
Item	Code	Description	See page	QT
01	0521066478	CARRYNG-WHEELS		01
02	0521011565	FLAT WASHER		04
03	0521051832	HYDRAULIC CYLINDER 53,98 X 114,30 X 654 X 346	9	02
04	0531018101	1.2" X 6.3" PIVOT SHAFT		02
05	0501017779	FLAT WASHER 32 X 60 X 4,75		08
06	0503011877	0.3" X 2.4" SPRING PIN		08
07	0503011198	BOLT 3/4" UNC X 6" CS G.5		02
08	0503010023	3/4" SPRING WASHER		02
09	0503010014	3/4" ZN G.5 (HEAVY) UNC HEX NUT		02
10	0501056467	WHEEL WITHOUT TIRE	10	02
11	0503060102	WHEEL AND TIRE 400/60 - 14L RIGHT	11	02
12	0531018105	1.2" X 11.8" PIVOT SHAFT		02
13	0531018062	COUPLING SHAFT		02
14	0503011250	1" X 2" BOLT		04
15	0503010012	1" SPRING WASHER		04



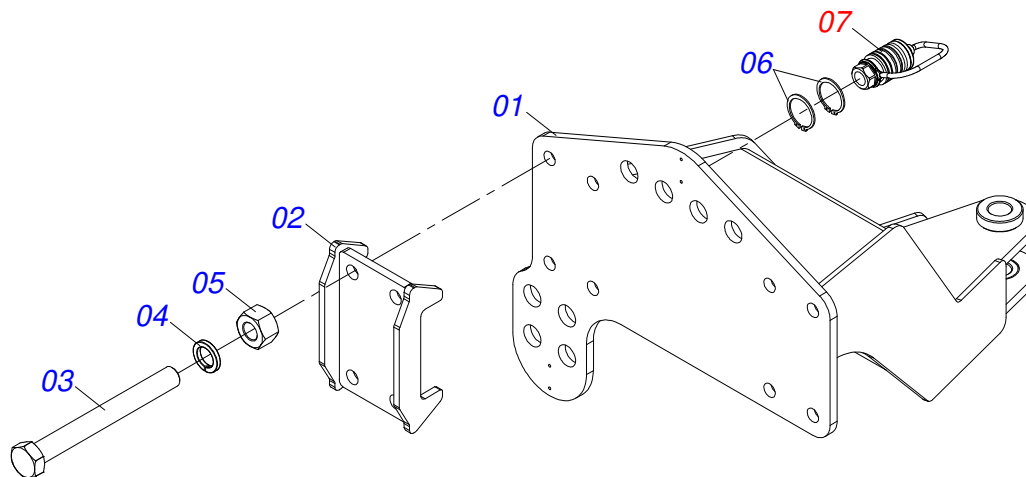
Item	Code	Description	See page	QT
01	0521061684	56,98 X 590,50 TURNBUCKLE		01
02	0521061685	114,30 X 500 CYLINDER CASE		01
03	0502012644	RING SUPPORT		01
04	0502011222	END CAP 4 . 1/2"		01
05	0503010002	1800 GREASE FITTING		02
06	0503015715	SCRAPER SEALING		01
07	0503015642	U-CUP SEALING RUUB000970		01
08	0503015641	WEAR RING		00
09	0503011892	O' RING, 2-346 N 3006-9B		01
10	0503011893	BACK-UP RING, 8-346		01
11	0503030384	PLUG N-001		02
12	0503015640	SEALING SELEMASTER		01
13	0561016578	PISTON BODY		01
14	0581015283	BODY		01
15	0503819100	SCREW		01
16	0511034304	HYDRAULIC CYLINDER REPAIR KIT (0521051832)		01



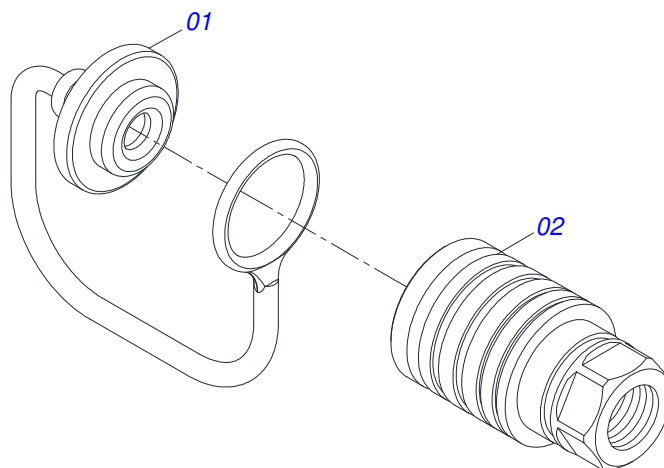
Item	Code	Description	See page	QT
01	0541016566	SPINDLE 3.1/2 X 375		01
02	0503013314	RETAINER 5166-GB 63,5 X 110 X 13 ARCA		01
03	0503015290	ROLLER BEARING 3780/3720		01
04	0503014821	ROLLER BEARING 2780/2720		01
05	0503830009	CASTLE NUT R 1 UNS 14FPP X 22 SA		01
06	0503010018	5/32" X 1-1/2" SPLIT PIN		01
07	0502020591	PROTECTION LID		01
08	0511812492	FLAT WASHER 28 X 46 X 6,30 AS		01
09	0503011444	SPRING WASHER 5/16"		04
10	0503810358	BOLT 5/16 UNC X 7/8" C S G.5 SA		04
11	0503010002	1800 GREASE FITTING		01
12	0501110738	CARRYING WHEEL HUB 21FT		01
12A	0502012260	TRANSPORT CARRYING-WHEEL HUB		01
12B	0501010186	WHEEL BOLT 5/8"UNF X 2.1/8CR		08
12C	0503010064	5/8 UNF CONIC NUT		08



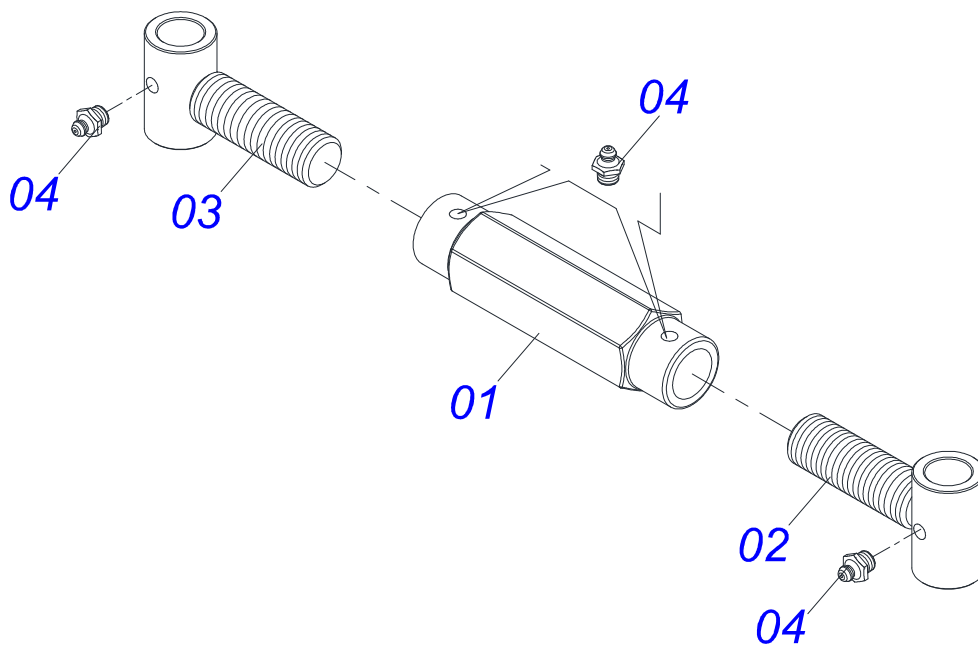
Item	Code	Description	See page	QT
01	0501069483	WHEEL 13 X 15,5 - 21FT		01
02	0503012112	400/60 - 15.5 TR 15 INNER TIRE		01
03	0503013119	CANVAS TIRE 400/60-15,5-T404-14L TRELEBORG		01



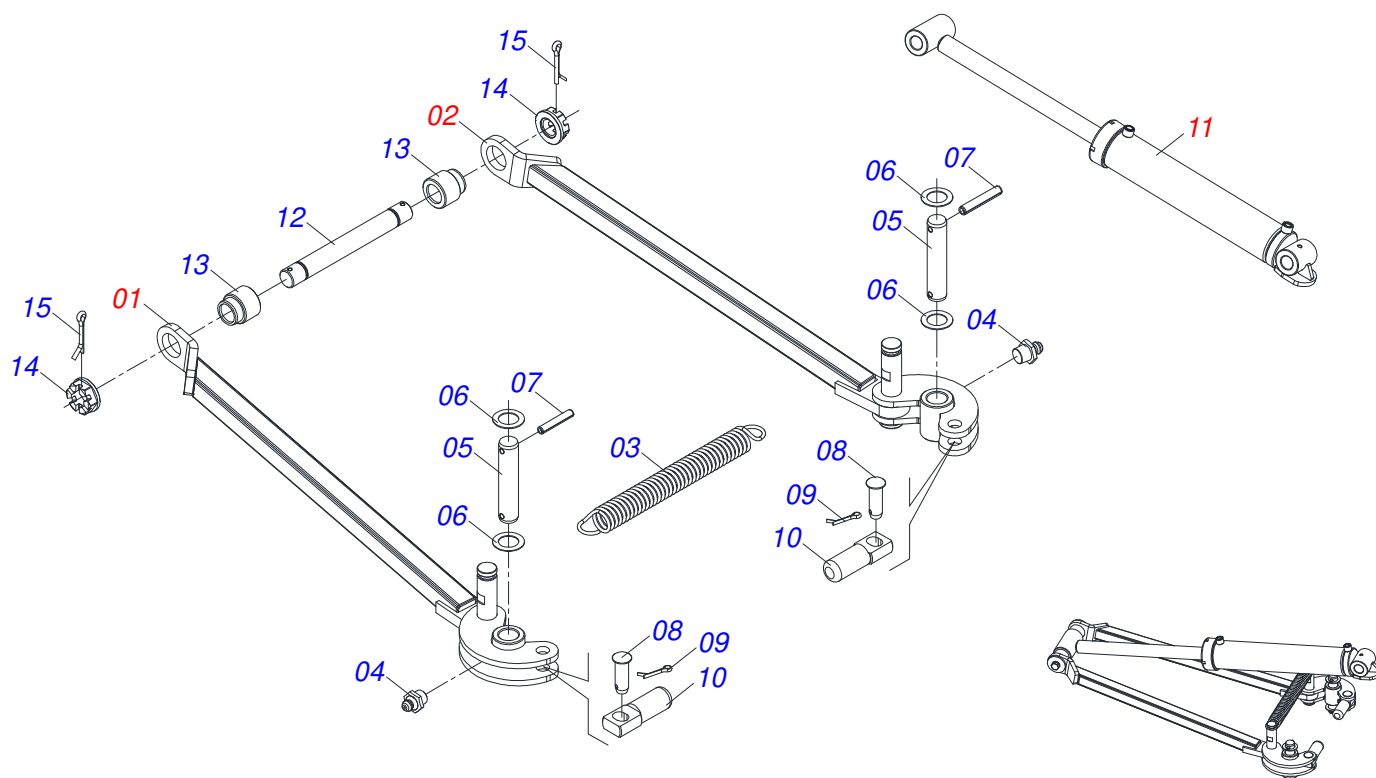
Item	Code	Description	See page	QT
01	0521065966	REAR HITCH		01
02	0521065965	FIXER CLAW		02
03	0501010064	BOLT 1" UNC X 9 CS G.5 ZN		08
04	0503010012	1" SPRING WASHER		08
05	0501010059	1.5/8 NUT		08
06	0503010217	501040 CLAMPING RING (FOR AXLE)		04
07	0501053835	FEMALE QUICK COUPLER	13	02



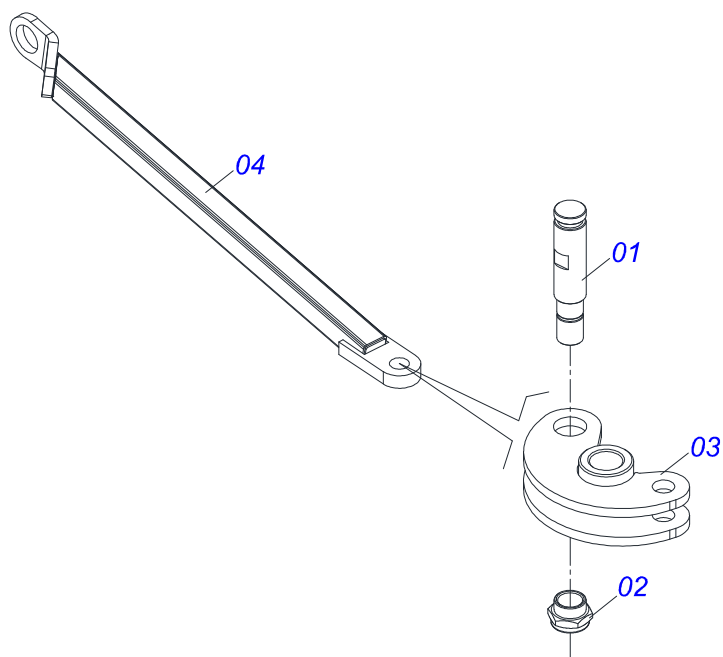
Item	Code	Description	See page	QT
01	0503011883	PLASTIC COVER		01
02	0503011628	FEMALE QUICK COUPLER		01



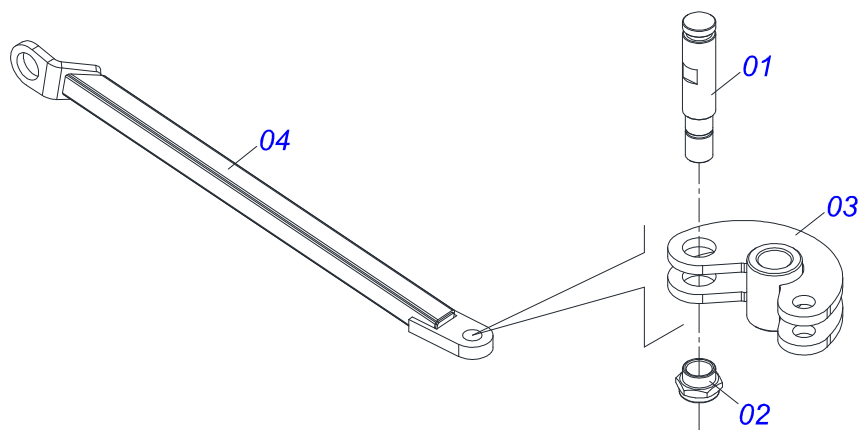
Item	Code	Description	See page	QT
01	0502011469	245 ADJUSTMENT NUT		01
02	0501069416	JACKET		01
03	0501069417	JACK CRANK		01
04	0503010002	1800 GREASE FITTING		04



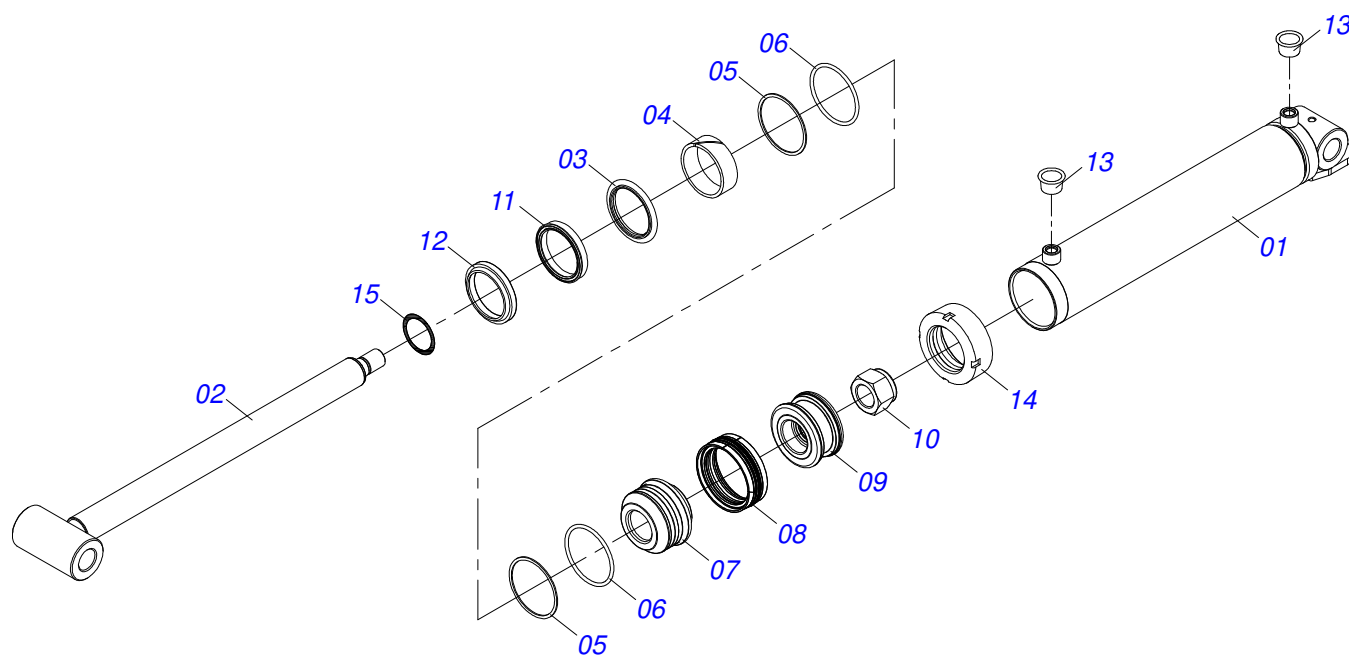
Item	Code	Description	See page	QT
01	0501057274	LH REAR DRIVER ARM	16	04
02	0501057273	PIVOT ARM ASSY	17	04
03	0503032537	50,7 X 325 X 6,35 TRACTION SPRING		04
04	0503010002	1800 GREASE FITTING		04
05	0541016677	37,20 X 177 COUPLING SHAFT		08
06	0511019685	FLAT WASHER		16
07	0503010361	SPRING PIN		16
08	0521010572	0.9" X 2.9" COUPLING SHAFT		08
09	0503010571	1/4" X 1.1/2" SPLIT PIN		08
10	0541019253	FRAME LOCK AXLE		08
11	0511057940	HYDRAULIC CYLINDER	18	04
12	0501210091	ARTICULATOR PIVOT AXIS		04
13	0541016614	38,20 X 62 X 61 SLEEVE		08
14	0501011301	1.1/2" UNC 6FPP 2.5/16" NUT		08
15	0503010010	1/4" X 2.1/2" SPLIT PIN		08



Item	Code	Description	See page	QT
001	0541016749	LOCK AXLE PIVOT		01
002	0541019258	1.1/4 ADJUSTING NUT		01
003	0511066497	LOCK PIVOT		01
004	0511067210	DRIVER ARM		01

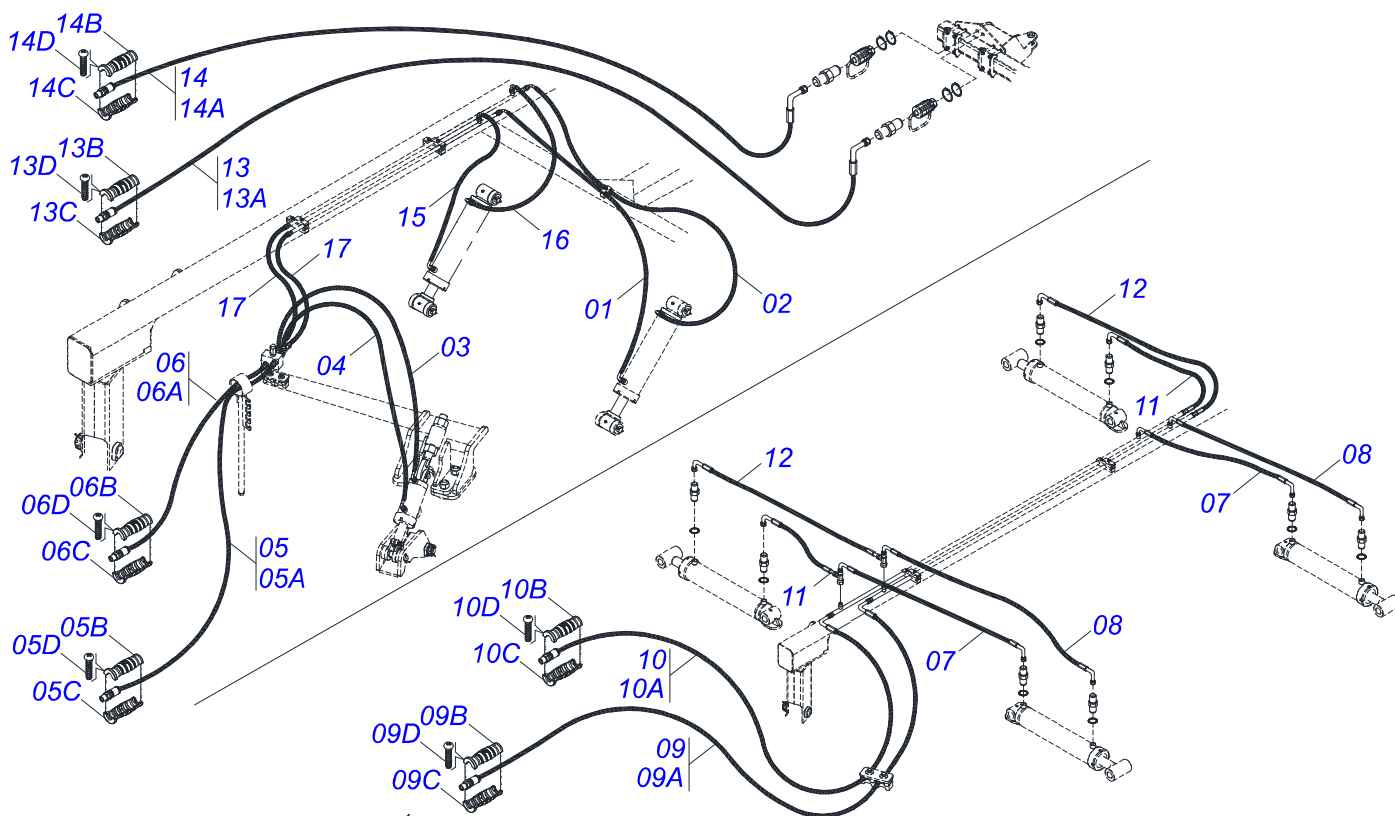


Item	Code	Description	See page	QT
001	0541016749	LOCK AXLE PIVOT		01
002	0541019258	1.1/4 ADJUSTING NUT		01
003	0511066497	LOCK PIVOT		01
004	0511067209	FRONT DRIVER ARM		01



Item	Code	Description	See page	QT
01	0521066447	101,60 X 654,50 X 38,40 CYLINDER CASE		01
02	0521061439	50,80 X 751,50 X 38,40 TURNBUCKLE		01
03	0503018024	RING BS OD050805200171D-BR		01
04	0503018025	RING GUIDE W2-2250-750		01
05	0503011061	8-342 BACK-UP RING		02
06	0503010338	2-342 N 3006-9B O'RING		02
07	0502012821	2" X 4" RING SUPPORT		01
08	0503015633	SELEMASTER SEALING		01
09	0502012820	2" X 4" PISTON		01
10	0503010817	1.1/4" SELF LOCKING NUT		01
11	0503018026	GASKET 1870-2000-375 B POLYMAX		01
12	0503010039	D-2000 SCRAPER RING		01
13	0503030384	PLUG N-001		02
14	0502010017	4" LID		01
15	0503018029	O'RING 2-217 N 3006 90B		01
16	0511034303	HYDRAULIC CYLINDER REPAIR KIT (0511057940)		01

HOSE GAME



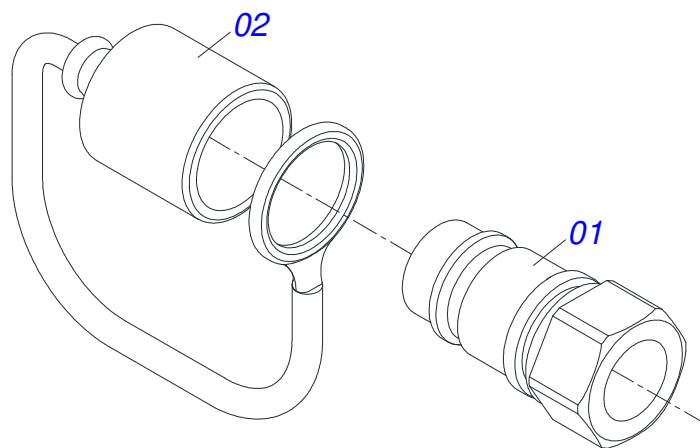
Item	Code	Description	See page	QT
01	0501080370	TC-TC HOSE ASSY		01
02	0501080644	3/8" X 78.7" TC-TC HOSE ASSY		01
03	0501080302	3/8" X 55" TR-TC HOSE		01
04	0501080436	3/8" X 62" TR-TC HOSE		01
05	0531055152	3/8" X 236" TR-TM BLACK/BLUE HOSE		01
05A	0501082444	3/8" X 236" TR-TM HOSE		01
05B	0503034492	HYDRAULIC HOSE GRIP (BLACK)		01
05C	0503034494	HYDRAULIC HOSE GRIP (BLUE)		01
05D	0503018952	PH 2,5 X 10 ZB PLASTIC BOLT		06
06	0531055151	3/8" X 236" TR-TM BLACK/RED HOSE		01
06A	0501082444	3/8" X 236" TR-TM HOSE		01
06B	0503034492	HYDRAULIC HOSE GRIP (BLACK)		01
06C	0503034495	HYDRAULIC HOSE GRIP (RED)		01
06D	0503018952	PH 2,5 X 10 ZB PLASTIC BOLT		06
07	0501080749	3/8" X 141" TC-TC HOSE		02
08	0501080751	3/8" X 165" TC-TC HOSE		02
09	0521052944	3/8" X 240" TC-TM BROWN/BLUE HOSE		01
09A	0501080850	3/8" X 240" TC-TM HOSE		01
09B	0503034490	HYDRAULIC HOSE GRIP (BROWN)		01
09C	0503034494	HYDRAULIC HOSE GRIP (BLUE)		01
09D	0503018952	PH 2,5 X 10 ZB PLASTIC BOLT		06
10	0521052945	3/8" X 240" TC-TM BROWN/RED HOSE		01
10A	0501080850	3/8" X 240" TC-TM HOSE		01
10B	0503034490	HYDRAULIC HOSE GRIP (BROWN)		01
10C	0503034495	HYDRAULIC HOSE GRIP (RED)		01
10D	0503018952	PH 2,5 X 10 ZB PLASTIC BOLT		06
11	0501080461	3/8" X 70" TR-TC HOSE		02
12	0501080412	3/8" X 90.55" TR-TC HOSE		02
13	0521052947	HOSE 3/8 X 11500 TC-TM GRAY/BLUE		01
13A	0501081322	3/8" X 452.7" TC-TM HOSE		01
13B	0503034489	HYDRAULIC HOSE GAUNTLET (GRAY)		01
13C	0503034495	HYDRAULIC HOSE GRIP (RED)		01



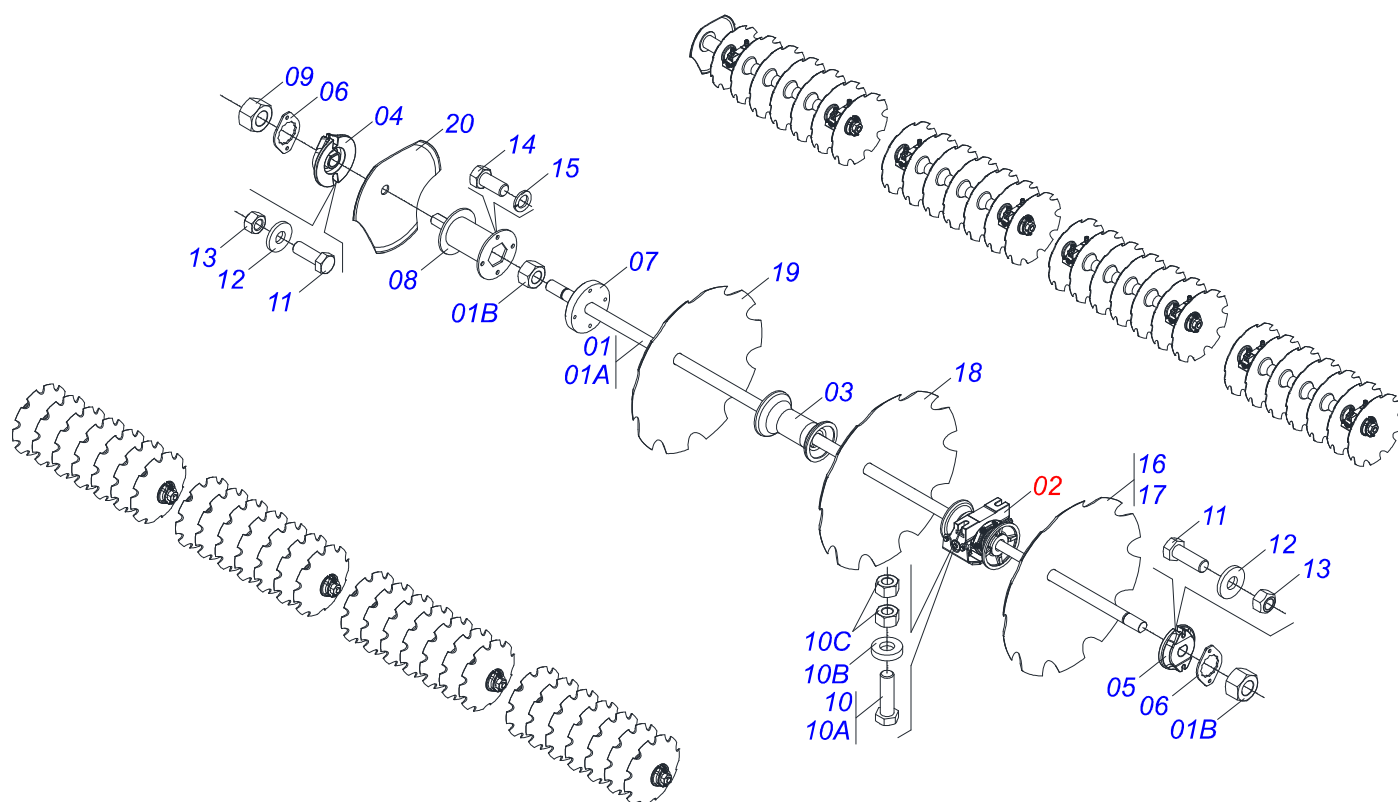
HOSE GAME

0511058385

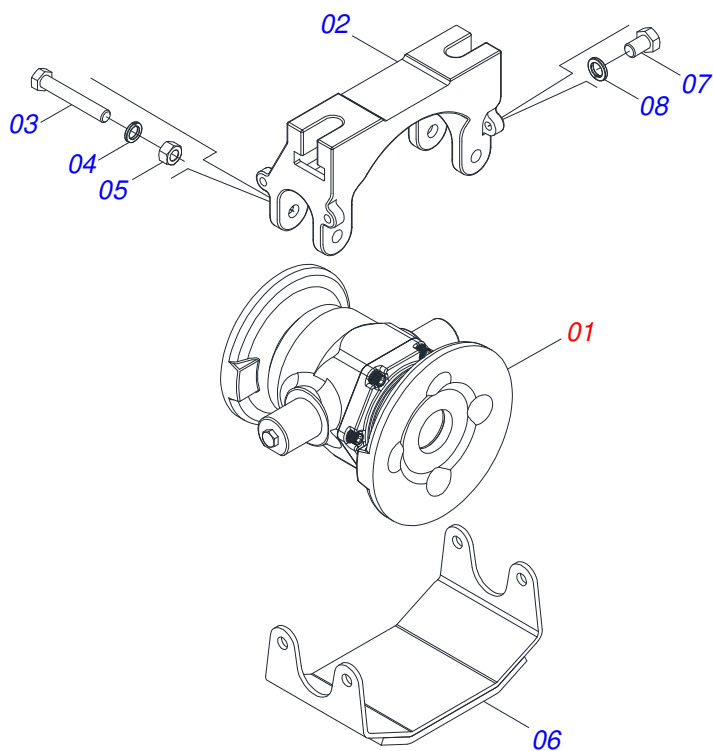
Item	Code	Description	See page	QT
13D	0503018952	PH 2,5 X 10 ZB PLASTIC BOLT		06
14	0521052946	HOSE 3/8 X 11500 TC-TM GRAY/RED		01
14A	0501081322	3/8" X 452.7" TC-TM HOSE		01
14B	0503034489	HYDRAULIC HOSE GAUNTLET (GRAY)		01
14C	0503034495	HYDRAULIC HOSE GRIP (RED)		01
14D	0503018952	PH 2,5 X 10 ZB PLASTIC BOLT		06
15	0501080065	3/8" X 47" TC-TC HOSE		01
16	0501082058	3/8" X 31.5" TC-TC HOSE		01
17	0501080106	3/8" X 31" TR-TR HOSE		02



Item	Code	Description	See page	QT
01	0503011627	MALE QUICK COUPLER AGR 1/2 NPT		01
02	0503011882	MALE QUICK COUPLER CAP		01

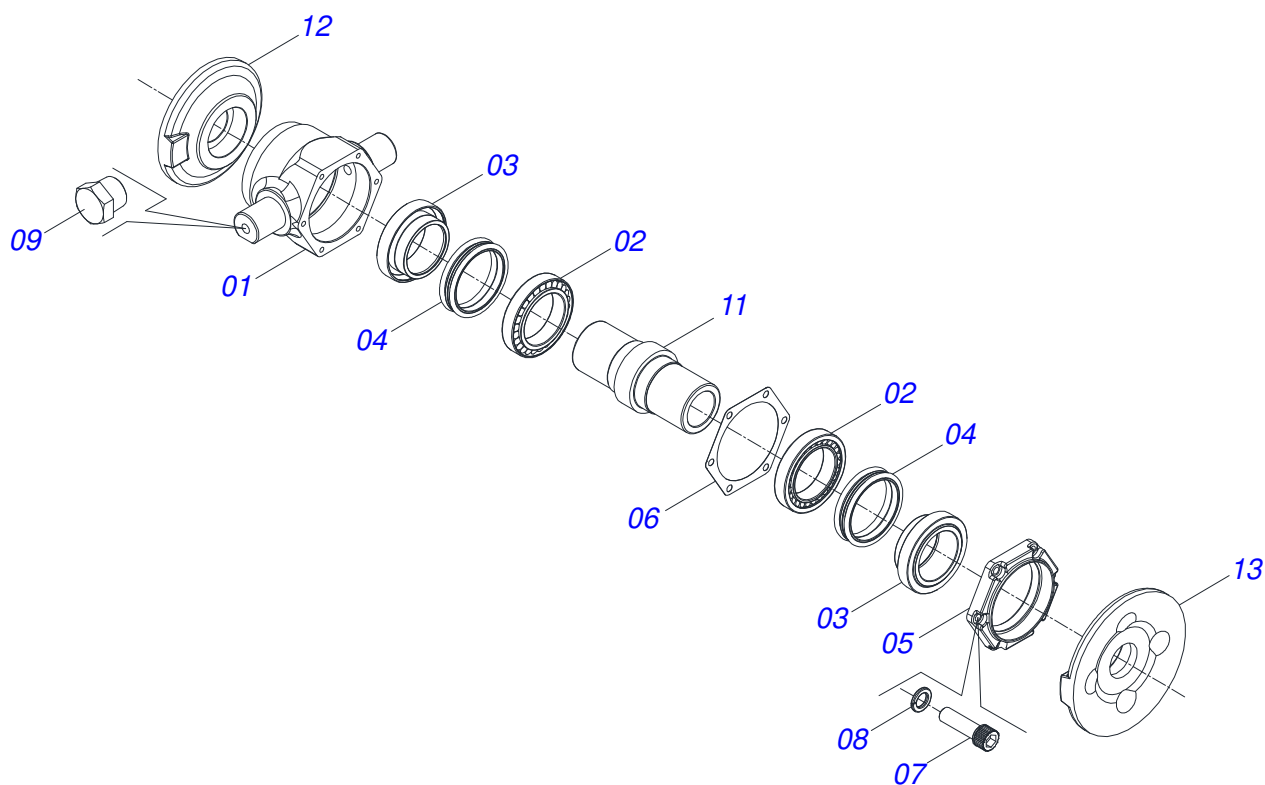


Item	Code	Description	See page	QT
01	0501043062	2.1/8" X 1850 AXLE WITH NUTS		08
01A	0501019046	2.1/8" X 1850 AXLE		01
01B	0502040063	2-1/8" X 54 99 NUT		02
02	0521049050	DM OL 266 X 2.1/8 AGRICULTURAL BEARING	22	16
03	0502012480	263 SPACER		32
04	0502010594	2-1/8" EXTERNAL AXLE WASHER		08
05	0502010595	2-1/8" INNER AXLE WASHER		08
06	0541010368	NUT LOCK		16
07	0561014077	2-1/8 EXTERNAL AXLE LOCK		01
08	0521066232	FURROW FILLE 2.1/8" SPACER		01
09	0502040063	2-1/8" X 54 99 NUT		01
10	0521047558	7/8" X 4" BOLT ASSY		32
10A	0503013310	7/8 UNC X 4 C S G.5 ZN BOLT		01
10B	0561013107	FLAT WASHER		01
10C	0503010417	7/8" NUT		02
11	0503010232	5/8" X 1.3/4" BOLT		32
12	0501012140	FLAT WASHER 16,50 X 40 X 4,00 ZN		32
13	0503012412	5/8" UNC SELF LOCKING NUT		32
14	0501010098	BOLT 3/4" UNC X 2 C S G.5 ZN		04
15	0503010023	3/4" SPRING WASHER		04
16	0602040159	DR 30" X 9,00 C120AF02FR2.3/16 D066 10R		28
17	0602040159	DR 30" X 9,00 C120AF02FR2.3/16 D066 10R		26
18	0602037221	DR 28" X 9,00 C108AF02FR2.3/16 D066 10R		01
19	0602036035	26" X 9 NOTCHED DISC BLADE		01
20	0602030456	DISC BLADE NOTCHED 24X7,5"		01



Item	Code	Description	See page	QT
01	0521055278	OSCILLATING BEARING	23	01
02	0502012860	BEARING SUPPORT		01
03	0501011543	5/8" X 4" BOLT		02
04	0503010027	5/8 SPRING WASHER		02
05	0503010013	5/8 UNC G.5 ZN HEX NUT		02
06	0521067635	COVER PROTECTION		01
07	0503011401	1/2" X 3/4" BOLT		04
08	0503010019	1/2" SPRING WASHER		04

OSCILLATING BEARING



Item	Code	Description	See page	QT
01	0502012859	BEARING BOX		01
02	0503013966	ROLLER BEARING		02
03	0502040198	SEAL RETAINER		02
04	0503030028	JB-257 SEAL		02
05	0502012481	BOX COVER		01
06	0503032999	JOINT		01
07	0503010175	3/8" X 1-1/4" BOLT		06
08	0503011443	SPRING WASHER 3/8"		06
09	0503010856	OIL PLUG R 3/8 BSPT		02
10	3402301275	TATU OIL		0,3 Lts
11	0502040197	MRO 266,7 X 10.1/2 AXLE		01
12	0502040196	INNER FLANGE		01
13	0502040195	OUTER FLANGE		01



MARCHESAN

Technical Publications | Elaboration and Revision

LUIZ CANDIDO

www.marchesan.com.br

