

HINGE TYPE OFFSET DISK HARROW

GNL 20/24/28/32/36/40/42D - PA
GNL 20/24/28/32/36/40/42D - PA

Code: 0501093987
Series: S-0724
Revision: 00
Revision Date: SEPTEMBER/2024

PARTS CATALOGUE



MARCHESAN



PRODUCTS

| Code | Working Width | Description |
|------------|---------------|---|
| 0102130746 | | GNL 20 X 22 X 4,50 MT DMO PA E 1.1/4 S-0724 |
| 0102130745 | | GNL 24 X 22 X 4,50 MT DMO PA E 1.1/4 S-0724 |
| 0102130744 | | GNL 28 X 22 X 4,50 MT DMO PA E 1.1/4 S-0724 |
| 0102130754 | | GNL 32 X 22 X 4,50 MT DMO PA E 1.1/4 S-0724 |
| 0102130743 | | GNL 36 X 22 X 4,50 MT DMO PA E 1.1/4 S-0724 |
| 0102130741 | | GNL 40 X 22 X 4,50 MT DMO PA E 1.1/4 S-0724 |
| 0102130742 | | GNL 42 X 22 X 4,50 MT DMO PA E 1.1/4 S-0724 |

ATTENTION: IMPORTANT

Marchesan S.A. reserves the right to improve and/or modify the technical features of its products, without obligation to do the same with those products already sold and without prior knowledge of the dealer or the customer. The photos are only illustrative.

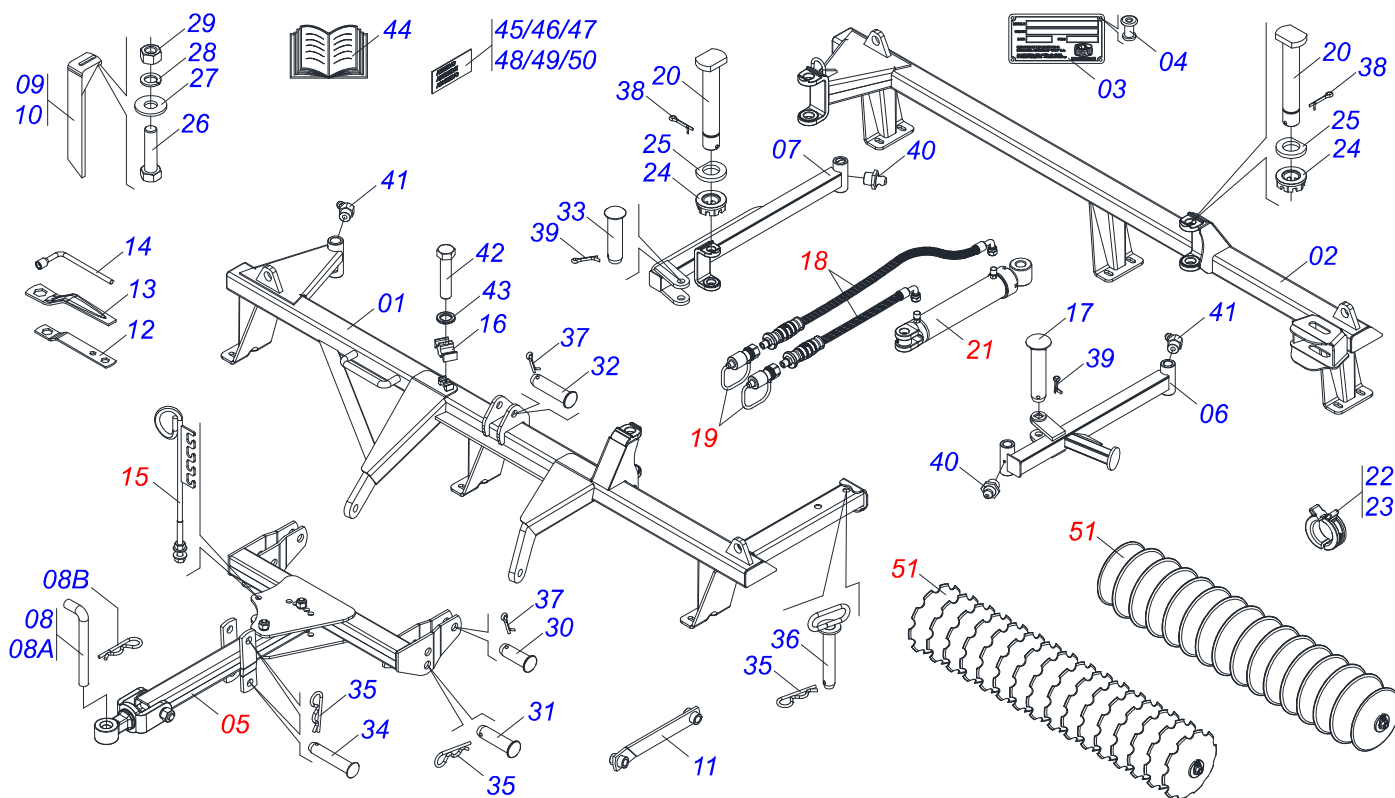


MARCHESAN

INDEX

| | | | |
|------------|--|-------|----|
| 0909097376 | FRAME ASSY | | 1 |
| 0531040840 | DRAWBAR ASSEMBLY | | 2 |
| 0531040839 | 3/4 X 675 HOSE SUPPORT | | 3 |
| 0521056787 | HOSE GAME | | 4 |
| 0501053834 | MALE QUICK COUPLER | | 5 |
| 0531046241 | HYDRAULIC CYLINDER | | 6 |
| 0531042097 | HYDRAULIC CYLINDER | | 7 |
| 0909097377 | ASSY DISC GANG | | 8 |
| 0521047188 | 182 X 1.1/4 DMO BEARING W/PROTECTION SUPPORT | | 9 |
| 0521050841 | AGRICULTURAL BEARING DMO 182 X 1.1/4 | | 10 |

FRAME ASSY



| Item | Code | Description | See page | 20 | 24 | 28 | 32 | 36 | 40 | 42 |
|---------|------------|----------------------------|----------|----|----|----|----|----|----|----|
| 01 | 0531069250 | FRONT FRAME - 20D | | 01 | 00 | 00 | 00 | 00 | 00 | 00 |
| 01. | 0531069265 | FRONT FRAME - 24D | | 00 | 01 | 00 | 00 | 00 | 00 | 00 |
| 01.. | 0531069257 | FRONT FRAME - 28D | | 00 | 00 | 01 | 00 | 00 | 00 | 00 |
| 01... | 0531063457 | FRONT FRAME - 32D | | 00 | 00 | 00 | 01 | 00 | 00 | 00 |
| 01.... | 0531069279 | FRONT FRAME - 36D | | 00 | 00 | 00 | 00 | 01 | 00 | 00 |
| 01..... | 0531069288 | FRONT FRAME - 40D | | 00 | 00 | 00 | 00 | 00 | 01 | 00 |
| 01..... | 0531069294 | FRONT FRAME - 42D | | 00 | 00 | 00 | 00 | 00 | 00 | 01 |
| 02 | 0531069248 | REAR FRAME - 20D | | 01 | 00 | 00 | 00 | 00 | 00 | 00 |
| 02. | 0531069267 | REAR FRAME - 24D | | 00 | 01 | 00 | 00 | 00 | 00 | 00 |
| 02.. | 0531069259 | REAR FRAME - 28D | | 00 | 00 | 01 | 00 | 00 | 00 | 00 |
| 02... | 0531063459 | REAR FRAME - 32D | | 00 | 00 | 00 | 01 | 00 | 00 | 00 |
| 02.... | 0531069281 | REAR FRAME - 36D | | 00 | 00 | 00 | 00 | 01 | 00 | 00 |
| 02..... | 0531069290 | REAR FRAME - 40D | | 00 | 00 | 00 | 00 | 00 | 01 | 00 |
| 02..... | 0531069292 | REAR FRAME - 42D | | 00 | 00 | 00 | 00 | 00 | 00 | 01 |
| 03 | 0503034003 | 61 X 118 SERIAL NUMBER TAG | | 01 | 01 | 01 | 01 | 01 | 01 | 01 |
| 04 | 0503010001 | RIVET 3,2 X 5,5 | | 04 | 04 | 04 | 04 | 04 | 04 | 04 |
| 05 | 0531040840 | DRAWBAR ASSEMBLY | 2 | 01 | 01 | 01 | 01 | 01 | 01 | 01 |
| 06 | 0531069387 | FRONT STABILIZER BAR | | 01 | 01 | 00 | 00 | 00 | 00 | 00 |
| 06. | 0531063461 | FRONT STABILIZER BAR | | 00 | 00 | 01 | 01 | 00 | 00 | 00 |
| 06.. | 0531069366 | FRONT STABILIZER BAR | | 00 | 00 | 00 | 00 | 01 | 01 | 01 |
| 07 | 0531069388 | REAR STABILIZER BAR | | 01 | 01 | 00 | 00 | 00 | 00 | 00 |
| 07. | 0531063463 | REAR STABILIZER BAR | | 00 | 00 | 01 | 01 | 00 | 00 | 00 |
| 07.. | 0531069364 | REAR STABILIZER BAR | | 00 | 00 | 00 | 00 | 01 | 01 | 01 |
| 08 | 0501040343 | HITCH AXIS ASSY | | 01 | 01 | 01 | 01 | 01 | 01 | 01 |
| 08A | 0521010453 | JOINT AXIS | | 01 | 01 | 01 | 01 | 01 | 01 | 01 |
| 08B | 0503031035 | HITCH PIN CLIP | | 01 | 01 | 01 | 01 | 01 | 01 | 01 |
| 09 | 0501063963 | FRONT SCRAPER | | 07 | 08 | 10 | 12 | 13 | 14 | 15 |
| 10 | 0501063962 | REAR SCRAPER | | 07 | 08 | 10 | 12 | 13 | 14 | 15 |
| 11 | 0531061940 | SIDE SUPPORT | | 01 | 01 | 01 | 01 | 01 | 01 | 01 |
| 12 | 0511018451 | 5/8" X 3/4" X 1" UNIVERSAL | | 01 | 01 | 01 | 01 | 01 | 01 | 01 |
| 13 | 0501010198 | 1-1/4" CABLE FLAT WRENCH | | 02 | 02 | 02 | 02 | 02 | 02 | 02 |
| 14 | 0501068273 | 5/8" WRENCH | | 01 | 01 | 01 | 01 | 01 | 01 | 01 |

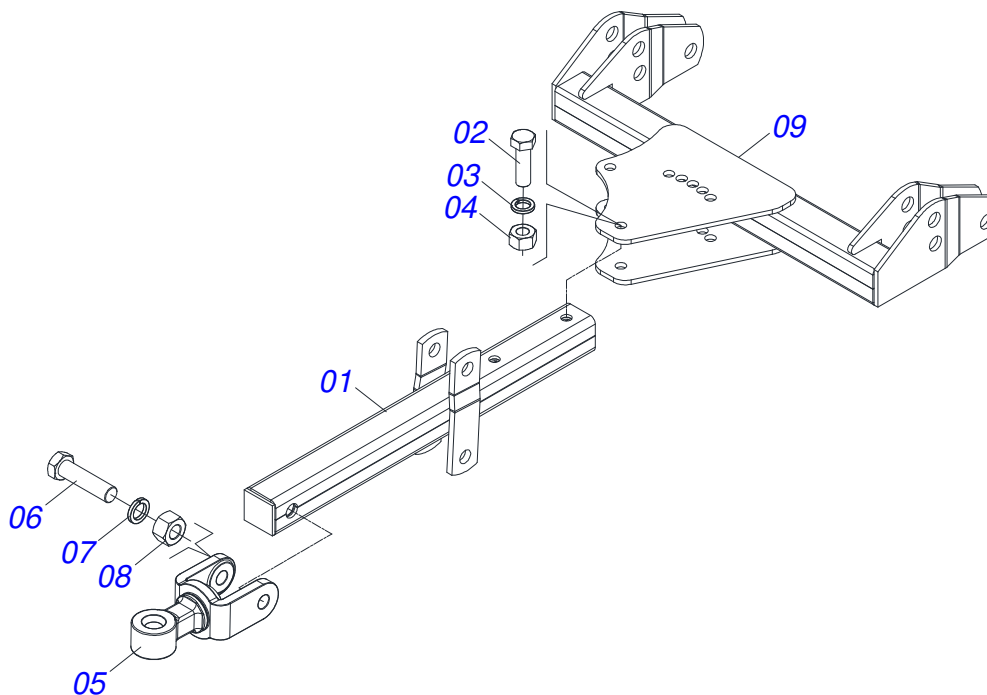


FRAME ASSY

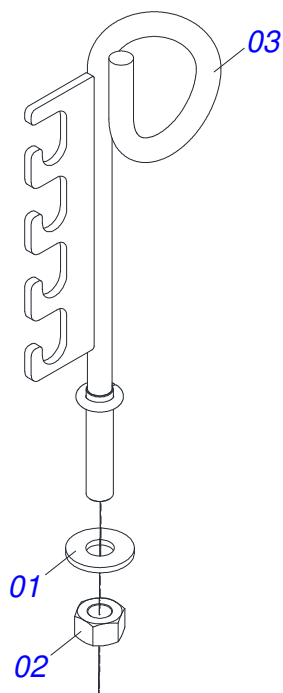
0909097376

| Item | Code | Description | See page | 20 | 24 | 28 | 32 | 36 | 40 | 42 |
|------|------------|--|----------|----|----|----|----|----|----|----|
| 15 | 0531040839 | 3/4 X 675 HOSE SUPPORT | 3 | 01 | 01 | 01 | 01 | 01 | 01 | 01 |
| 16 | 0502012702 | BODY SUPPORT CLAMP | | 01 | 01 | 01 | 01 | 01 | 01 | 01 |
| 17 | 0521013077 | 1.2" X 5.7" PIVOT SHAFT | | 01 | 01 | 01 | 01 | 01 | 01 | 01 |
| 18 | 0521056787 | HOSE GAME | 4 | 01 | 01 | 01 | 01 | 01 | 01 | 01 |
| 19 | 0501053834 | MALE QUICK COUPLER | 5 | 02 | 02 | 02 | 02 | 02 | 02 | 02 |
| 20 | 0531019497 | 1.5" X 9.2" ARTICULATED AXIS | | 04 | 04 | 04 | 04 | 04 | 04 | 04 |
| 21 | 0531046241 | HYDRAULIC CYLINDER | 6 | 01 | 00 | 00 | 00 | 00 | 00 | 00 |
| 21. | 0531042097 | HYDRAULIC CYLINDER | 7 | 00 | 01 | 01 | 01 | 01 | 01 | 01 |
| 22 | 0501047885 | 30 ROD STOP | | 03 | 03 | 03 | 03 | 03 | 03 | 03 |
| 23 | 0501047895 | 25 ROD STOP | | 04 | 04 | 04 | 04 | 04 | 04 | 04 |
| 24 | 0501011301 | 1.1/2" UNC 6FPP 2.5/16" NUT | | 04 | 04 | 04 | 04 | 04 | 04 | 04 |
| 25 | 0531019540 | FLAT WASHER | | 04 | 04 | 04 | 04 | 04 | 04 | 04 |
| 26 | 0503011082 | C1/2" X 1.3/4" SCREW | | 28 | 32 | 40 | 48 | 52 | 56 | 60 |
| 27 | 0511017302 | FLAT WASHER 13,50 X 32,50 X 3,0 ZN | | 28 | 32 | 40 | 48 | 52 | 56 | 60 |
| 28 | 0503010019 | 1/2" SPRING WASHER | | 28 | 32 | 40 | 48 | 52 | 56 | 60 |
| 29 | 0503010060 | 1/2 UNC G.5 ZN HEX NUT | | 28 | 32 | 40 | 48 | 52 | 56 | 60 |
| 30 | 0521010592 | 1.1" X 3.1" COUPLING SHAFT | | 02 | 02 | 02 | 02 | 02 | 02 | 02 |
| 31 | 0521010593 | 1.1" X 3.9" COUPLING SHAFT | | 02 | 02 | 02 | 02 | 02 | 02 | 02 |
| 32 | 0521010579 | COUPLING SHAFT | | 01 | 01 | 01 | 01 | 01 | 01 | 01 |
| 33 | 0521010544 | 1.2" X 4.9" COUPLING SHAFT | | 01 | 01 | 01 | 01 | 01 | 01 | 01 |
| 34 | 0521010581 | 0.9" X 4.9" COUPLING SHAFT | | 02 | 02 | 02 | 02 | 02 | 02 | 02 |
| 35 | 0503031035 | HITCH PIN CLIP | | 05 | 05 | 05 | 05 | 05 | 05 | 05 |
| 36 | 0521067644 | JUNCTION SHAFT 25,40 X 140 | | 01 | 01 | 01 | 01 | 01 | 01 | 01 |
| 37 | 0503010571 | 1/4" X 1.1/2" SPLIT PIN | | 03 | 03 | 03 | 03 | 03 | 03 | 03 |
| 38 | 0503010010 | 1/4" X 2.1/2" SPLIT PIN | | 04 | 04 | 04 | 04 | 04 | 04 | 04 |
| 39 | 0503010523 | 1/4 X 2 SPLIT PIN | | 02 | 02 | 02 | 02 | 02 | 02 | 02 |
| 40 | 0503010002 | 1800 GREASE FITTING | | 02 | 02 | 02 | 02 | 02 | 02 | 02 |
| 41 | 0503010003 | 1845 GREASE FITTING | | 02 | 02 | 02 | 02 | 02 | 02 | 02 |
| 42 | 0503012555 | 7/16" UNC X 2" CS RT G.7 ZN SCREW | | 01 | 01 | 01 | 01 | 01 | 01 | 01 |
| 43 | 0503010180 | 7/16" SPRING WASHER | | 01 | 01 | 01 | 01 | 01 | 01 | 01 |
| 44 | 0501030439 | BAG WITH INSTRUCTION MANUAL | | 01 | 01 | 01 | 01 | 01 | 01 | 01 |
| 45 | 0503034057 | ADHESIVE LABELS | | 01 | 01 | 01 | 01 | 01 | 01 | 01 |
| 46 | 0503035341 | ADHESIVE LABEL | | 01 | 01 | 01 | 01 | 01 | 01 | 01 |
| 47 | 0503031428 | ATTENTION READ MANUAL DECAL | | 01 | 01 | 01 | 01 | 01 | 01 | 01 |
| 48 | 0503031087 | AUTO CONTROL APPROVED DECAL | | 01 | 01 | 01 | 01 | 01 | 01 | 01 |
| 49 | 0503034438 | ADHESIVE LABEL | | 01 | 01 | 01 | 01 | 01 | 01 | 01 |
| 50 | 0503031827 | DAILY LUBRICATION AND RETIGHTENING DECAL | | 01 | 01 | 01 | 01 | 01 | 01 | 01 |
| 51 | | ASSY DISC GANG | 8 | | | | | | | |

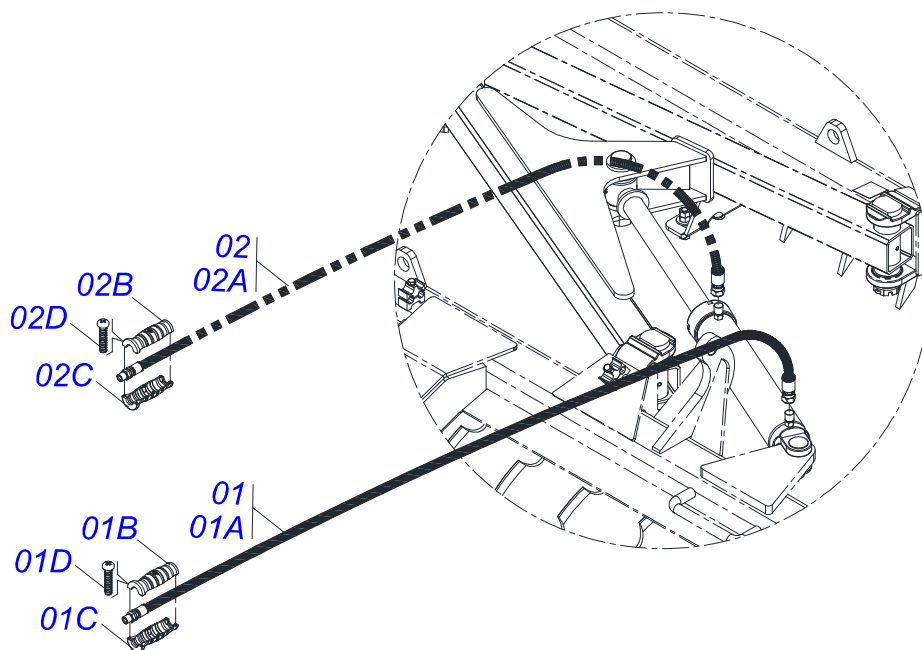
DRAWBAR ASSEMBLY



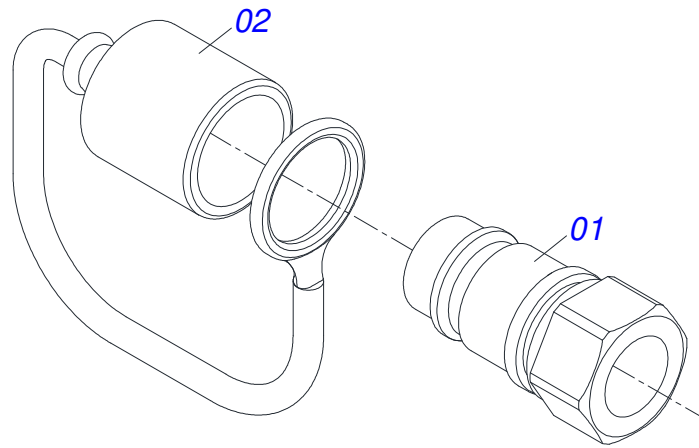
| Item | Code | Description | See page | QT |
|------|------------|---------------------------------|----------|----|
| 01 | 0501060670 | TRACTION BAR | | 01 |
| 02 | 0503011084 | 3/4" X 5" BOLT | | 02 |
| 03 | 0503011442 | 3/4" SPRING WASHER | | 02 |
| 04 | 0503010014 | 3/4" ZN G.5 (HEAVY) UNC HEX NUT | | 02 |
| 05 | 0521061775 | TRACTOR HITCH | | 01 |
| 06 | 0501010060 | 1" X 6-1/2" BOLT | | 01 |
| 07 | 0503011438 | SPRING WASHER | | 01 |
| 08 | 0501010059 | 1.5/8 NUT | | 01 |
| 09 | 0531061946 | HITCH BAR | | 01 |



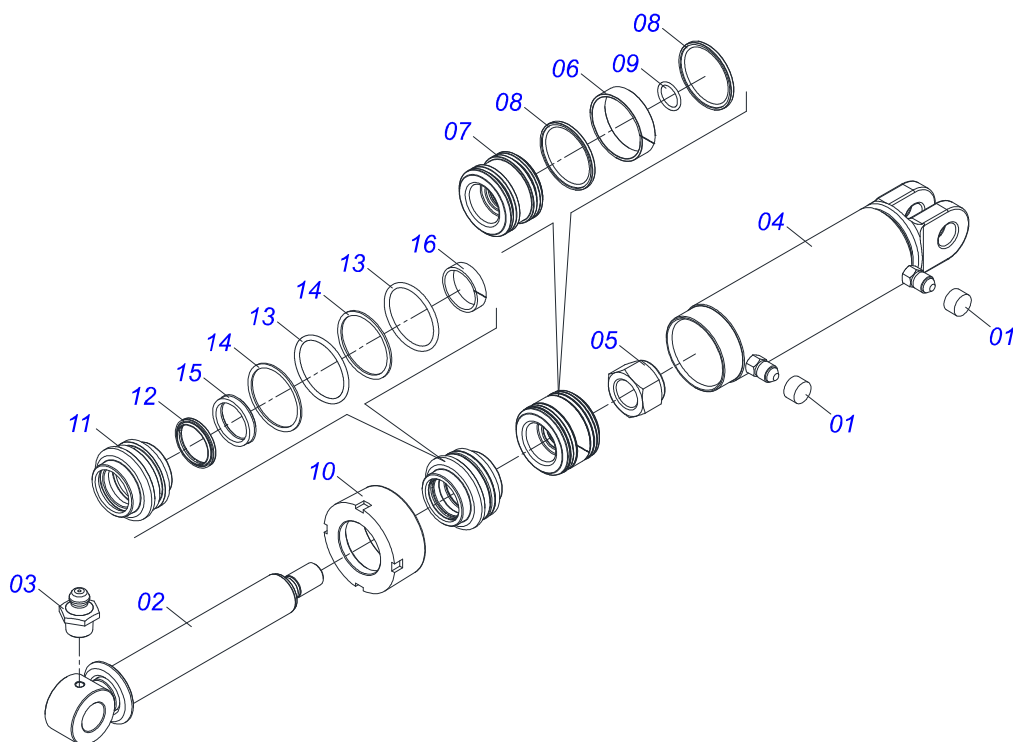
| Item | Code | Description | See page | QT |
|------|------------|----------------------------------|----------|----|
| 01 | 0501010322 | 20,50 X 46 X 4,00 ZN FLAT WASHER | | 02 |
| 02 | 0503010014 | 3/4" ZN G.5 (HEAVY) UNC HEX NUT | | 02 |
| 03 | 0521063508 | HOSE SUPPORT | | 01 |



| Item | Code | Description | See page | QT |
|------|------------|-------------------------------------|----------|----|
| 01 | 0521052345 | 3/8 X 3600 HOSE TC-TM PURPLE / RED | | 01 |
| 01A | 0501082023 | 3/8" X 141" TC-TM HOSE | | 01 |
| 01B | 0503034491 | HYDRAULIC HOSE GRIP (PURPLE) | | 01 |
| 01C | 0503034495 | HYDRAULIC HOSE GRIP (RED) | | 01 |
| 01D | 0503018952 | PH 2,5 X 10 ZB PLASTIC BOLT | | 06 |
| 02 | 0521052346 | 3/8 X 3600 HOSE TC-TM PURPLE / BLUE | | 01 |
| 02A | 0501082023 | 3/8" X 141" TC-TM HOSE | | 01 |
| 02B | 0503034491 | HYDRAULIC HOSE GRIP (PURPLE) | | 01 |
| 02C | 0503034494 | HYDRAULIC HOSE GRIP (BLUE) | | 01 |
| 02D | 0503018952 | PH 2,5 X 10 ZB PLASTIC BOLT | | 06 |

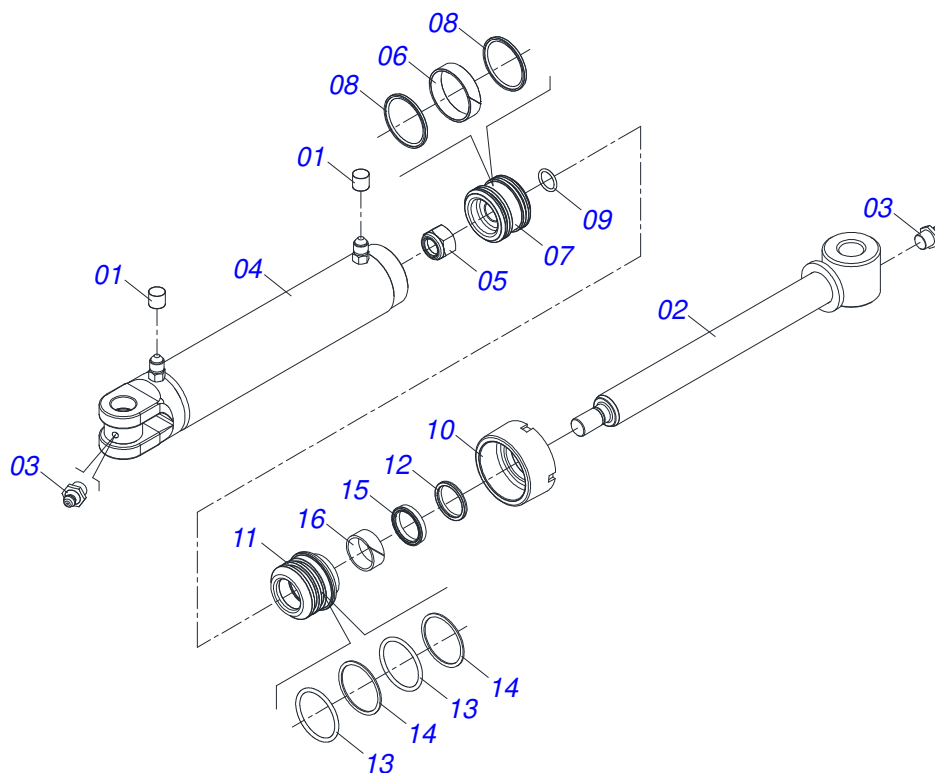


| Item | Code | Description | See page | QT |
|------|------------|--------------------------------|----------|----|
| 01 | 0503011627 | MALE QUICK COUPLER AGR 1/2 NPT | | 01 |
| 02 | 0503011882 | MALE QUICK COUPLER CAP | | 01 |



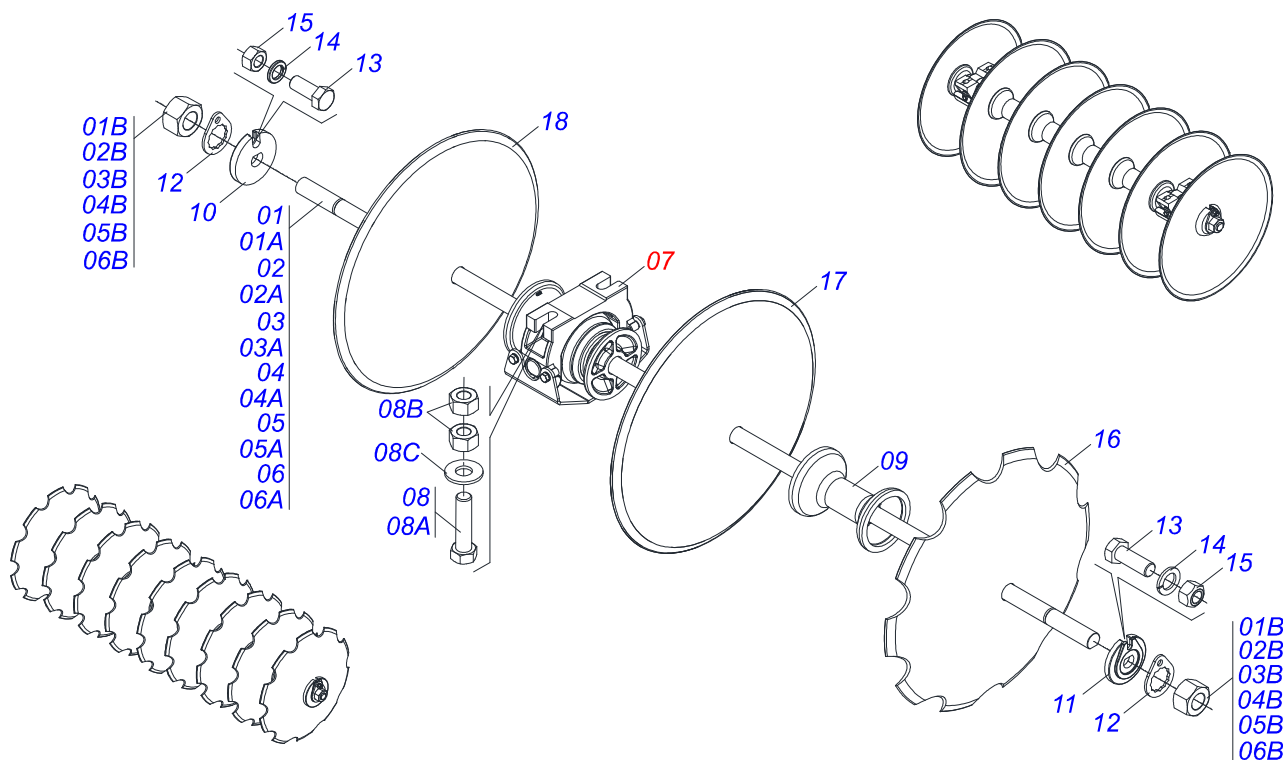
| Item | Code | Description | See page | QT |
|------|------------|------------------------|----------|----|
| 01 | 0503030385 | CYLINDER PLUG N-002 | | 02 |
| 02 | 0511074495 | EXTENDER | | 01 |
| 03 | 0503010002 | 1800 GREASE FITTING | | 02 |
| 04 | 0511074493 | CYLINDER BARREL | | 01 |
| 05 | 0503010063 | 1" SELF-ALIGNING NUT | | 01 |
| 06 | 0503018140 | RING GUIDE | | 01 |
| 07 | 0581010304 | PISTON | | 01 |
| 08 | 0503018138 | RING BS | | 02 |
| 09 | 0503010042 | 2-214 N 3006-9B O'RING | | 01 |
| 10 | 0502011899 | MOBILE LID | | 01 |
| 11 | 0581010301 | RING SUPPORT | | 01 |
| 12 | 0503010761 | D-1750 SCRAPER RING | | 01 |
| 13 | 0503010343 | 2-334 N 3006-9B O'RING | | 02 |
| 14 | 0503011059 | 8-334 BACK-UP RING | | 02 |
| 15 | 0503017937 | GASKET | | 01 |
| 16 | 0503017938 | RING GUIDE | | 01 |

HYDRAULIC CYLINDER



| Item | Code | Description | See page | QT |
|------|------------|------------------------|----------|----|
| 01 | 0503030385 | CYLINDER PLUG N-002 | | 02 |
| 02 | 0531063462 | PISTON ROD | | 01 |
| 03 | 0503010002 | 1800 GREASE FITTING | | 02 |
| 04 | 0511072609 | CYLINDER CASE | | 01 |
| 05 | 0503010063 | 1" SELF-ALIGNING NUT | | 01 |
| 06 | 0503018140 | RING GUIDE | | 01 |
| 07 | 0581010304 | PISTON | | 01 |
| 08 | 0503018138 | RING BS | | 02 |
| 09 | 0503010042 | 2-214 N 3006-9B O'RING | | 01 |
| 10 | 0502011899 | MOBILE LID | | 01 |
| 11 | 0581010301 | RING SUPPORT | | 01 |
| 12 | 0503010761 | D-1750 SCRAPER RING | | 01 |
| 13 | 0503010343 | 2-334 N 3006-9B O'RING | | 02 |
| 14 | 0503011059 | 8-334 BACK-UP RING | | 02 |
| 15 | 0503017937 | GASKET | | 01 |
| 16 | 0503017938 | RING GUIDE | | 01 |

ASSY DISC GANG



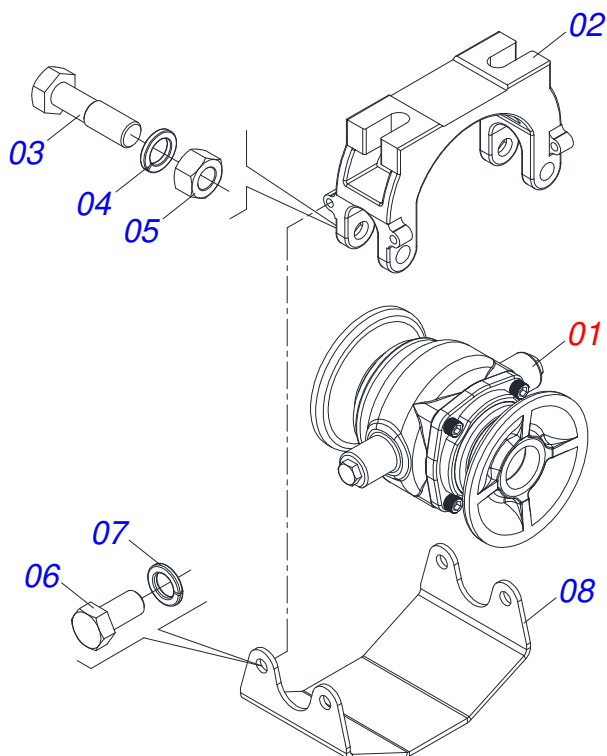
| Item | Code | Description | See page | 20 | 24 | 28 | 32 | 36 | 40 | 42 |
|------|------------|--|----------|----|----|----|----|----|----|----|
| 01 | 0501040694 | 1-1/4" X 66" AXLE WITH NUTS | | 02 | 00 | 00 | 00 | 00 | 00 | 00 |
| 01A | 0501010439 | 1-1/4" X 66" AXLE | | 01 | 00 | 00 | 00 | 00 | 00 | 00 |
| 01B | 0501010087 | 1.1/4" NUT | | 02 | 00 | 00 | 00 | 00 | 00 | 00 |
| 02 | 0501040253 | 1-1/4" X 80" AXLE WITH NUTS | | 00 | 02 | 00 | 00 | 00 | 00 | 02 |
| 02A | 0501010440 | 1-1/4" X 80" AXLE | | 00 | 01 | 00 | 00 | 00 | 00 | 01 |
| 02B | 0501010087 | 1.1/4" NUT | | 00 | 02 | 00 | 00 | 00 | 00 | 02 |
| 03 | 0501041160 | 1-1/4" X 93.5" AXLE WITH NUTS | | 00 | 00 | 02 | 00 | 00 | 00 | 00 |
| 03A | 0501012749 | 1-1/4" X 93.5" AXLE | | 00 | 00 | 01 | 00 | 00 | 00 | 00 |
| 03B | 0501010087 | 1.1/4" NUT | | 00 | 00 | 02 | 00 | 00 | 00 | 00 |
| 04 | 0501042618 | 1.1/4" X 107.08" AXLE W/NUTS | | 00 | 00 | 00 | 02 | 00 | 00 | 00 |
| 04A | 0501017162 | 1.1/4" X 107.08" AXLE | | 00 | 00 | 00 | 01 | 00 | 00 | 00 |
| 04B | 0501010087 | 1.1/4" NUT | | 00 | 00 | 00 | 02 | 00 | 00 | 00 |
| 05 | 0501040696 | 1-1/4" X 59" AXLE WITH NUTS | | 00 | 00 | 00 | 00 | 04 | 02 | 02 |
| 05A | 0501010087 | 1.1/4" NUT | | 00 | 00 | 00 | 00 | 01 | 01 | 01 |
| 05B | 0501010438 | 1-1/4" X 59" AXLE | | 00 | 00 | 00 | 00 | 02 | 02 | 02 |
| 06 | 0501042947 | 1-1/4" X 74" AXLE WITH NUTS | | 00 | 00 | 00 | 00 | 00 | 02 | 00 |
| 06A | 0501017377 | 1-1/4" X 74" AXLE | | 00 | 00 | 00 | 00 | 00 | 01 | 00 |
| 06B | 0501010087 | 1.1/4" NUT | | 00 | 00 | 00 | 00 | 00 | 02 | 00 |
| 07 | 0521047188 | 182 X 1.1/4 DMO BEARING W/PROTECTION 9 SUPPORT | | 04 | 04 | 06 | 06 | 08 | 10 | 10 |
| 08 | 0521059224 | BOLT ASSEMBLY 5/8 UNC X 2.3/4 | | 08 | 08 | 12 | 12 | 16 | 20 | 20 |
| 08A | 0501013233 | 5/8" X 2-3/4" BOLT | | 01 | 01 | 01 | 01 | 01 | 01 | 01 |
| 08B | 0503010013 | 5/8 UNC G.5 ZN HEX NUT | | 02 | 02 | 02 | 02 | 02 | 02 | 02 |
| 08C | 0501012140 | FLAT WASHER 16,50 X 40 X 4,00 ZN | | 01 | 01 | 01 | 01 | 01 | 01 | 01 |
| 09 | 0502020068 | 6.57" SPACER | | 14 | 16 | 20 | 24 | 24 | 26 | 28 |
| 10 | 0502010834 | 1-1/4" INNER AXLE WASHER | | 02 | 02 | 02 | 02 | 04 | 04 | 04 |
| 11 | 0502010835 | 1-1/4" EXTERNAL AXLE WASHER | | 02 | 02 | 02 | 02 | 04 | 04 | 04 |
| 12 | 0501010455 | 1.1/4" NUT LOCK | | 04 | 04 | 04 | 04 | 08 | 08 | 08 |
| 13 | 0503010395 | 1/2" X 1-1/4" BOLT | | 04 | 04 | 04 | 04 | 16 | 16 | 16 |
| 14 | 0503010019 | 1/2" SPRING WASHER | | 04 | 04 | 04 | 04 | 16 | 16 | 16 |
| 15 | 0503010060 | 1/2 UNC G.5 ZN HEX NUT | | 04 | 04 | 04 | 04 | 16 | 16 | 16 |
| 16 | 0602029336 | DR 22X4,5 C55AF02FR1.5/16 10REC TATU | | 20 | 24 | 28 | 32 | 36 | 40 | 42 |



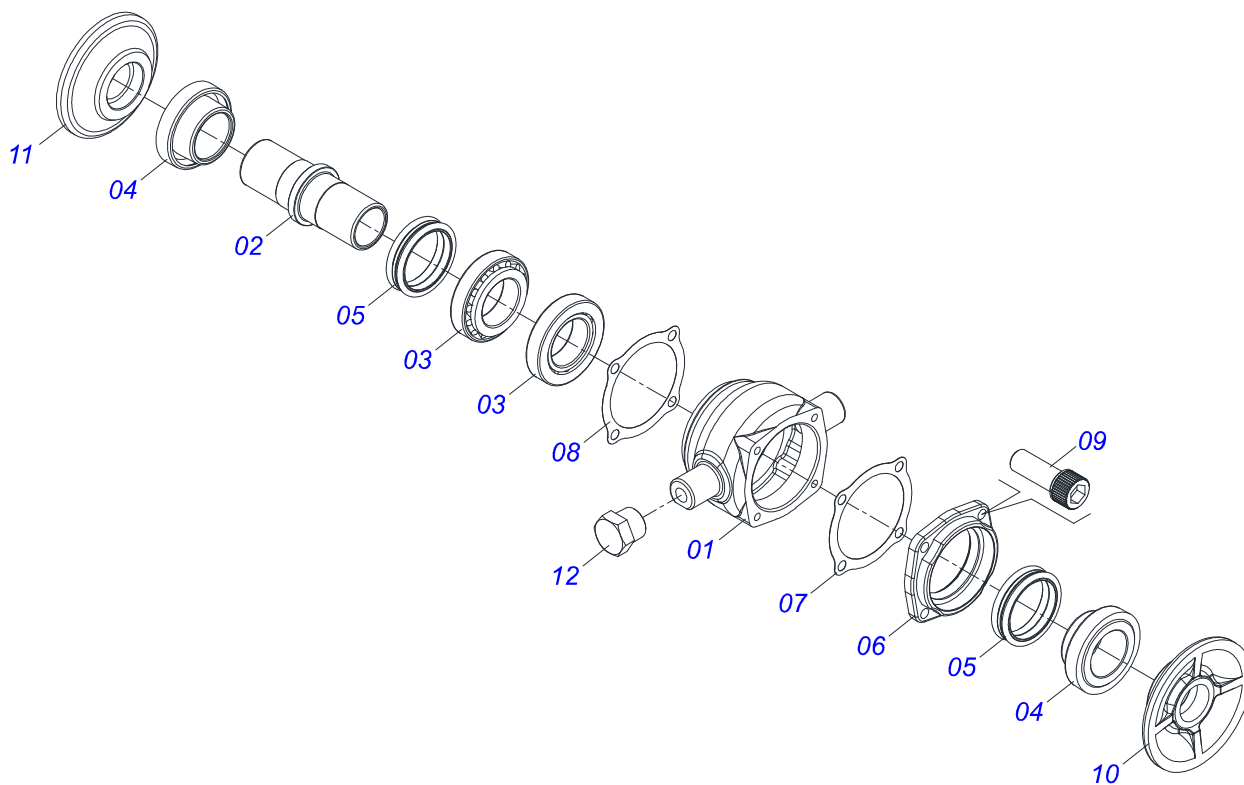
ASSY DISC GANG

0909097377

| Item | Code | Description | See page | 20 | 24 | 28 | 32 | 36 | 40 | 42 |
|------|------------|----------------------------------|----------|----|----|----|----|----|----|----|
| 16. | 0602029421 | DR 22 X 4,50 C64AF02FR1.5/16 10R | | 20 | 24 | 28 | 32 | 36 | 40 | 42 |
| 17 | 0601029417 | DL 22 X 4,50 C64AF02FR1.5/16 | | 20 | 24 | 28 | 32 | 36 | 40 | 42 |
| 17. | 0601029422 | DL 22 X 4,50 C64AF02FR1.5/16 | | 20 | 24 | 28 | 32 | 36 | 40 | 42 |
| 18 | 0601027304 | DL 20 X 4,50 C57AF02FR1.5/16 | | 20 | 24 | 28 | 32 | 36 | 40 | 42 |
| 18. | 0601027304 | DL 20 X 4,50 C57AF02FR1.5/16 | | 20 | 24 | 28 | 32 | 36 | 40 | 42 |
| 18.. | 0601027301 | DL 20 X 3,50 C57AF02FR1.5/16 | | 20 | 24 | 28 | 32 | 36 | 40 | 42 |



| Item | Code | Description | See page | QT |
|------|------------|--------------------------------------|----------|----|
| 01 | 0521050841 | AGRICULTURAL BEARING DMO 182 X 1.1/4 | 10 | 01 |
| 02 | 0502012854 | BEARING SUPPORT 182/192,5 | | 01 |
| 03 | 0501011541 | 5/8 UNC X 3 CS G.5 ZN1K28066 BOLT | | 02 |
| 04 | 0503010027 | 5/8 SPRING WASHER | | 02 |
| 05 | 0503010013 | 5/8 UNC G.5 ZN HEX NUT | | 02 |
| 06 | 0503011334 | 3/8 UNC X 3/4 CS G.5 ZN BOLT | | 04 |
| 07 | 0503010025 | 3/8" SPRING WASHER | | 04 |
| 08 | 0581014143 | SWIVEL OIL BATH BEARING WEAR PLATE | | 01 |



| Item | Code | Description | See page | QT |
|------|------------|--------------------------------|----------|----|
| 01 | 0502012839 | BEARING HOUSING 182/192,5 | | 01 |
| 02 | 0502040060 | AXLE CM/DM 182/192,5 SKF 32210 | | 01 |
| 03 | 0503010006 | 32210 ROLLER BEARING | | 02 |
| 04 | 0502010541 | SEAL HOLDER | | 02 |
| 05 | 0503030026 | SEAL LP JB-253 | | 02 |
| 06 | 0502020424 | HOUSING CAP 182/192,225 | | 01 |
| 07 | 0503030013 | 4.4" X 3.5" X 0.004" JOINT | | 02 |
| 08 | 0503030684 | 4.4" X 3.5" X 0.004" JOINT | | 01 |
| 09 | 0503010134 | 3/8" X 1" BOLT | | 04 |
| 10 | 0502010073 | OUTER FLANGE | | 01 |
| 11 | 0502010074 | INNER FLANGE | | 01 |
| 12 | 0503010856 | OIL PLUG R 3/8 BSPT | | 02 |



MARCHESAN

Technical Publications | Elaboration and Revision

LUIZ CANDIDO

www.marchesan.com.br

