

KNIFE ROLLER

CICLUS 5000
CICLUS 5000

Code: 0501093970
Series: S-0124
Revision: 00
Revision Date: SEPTEMBER/2024

PARTS

CATALOGUE



MARCHESAN



PRODUCTS

Code	Working Width	Description
0102590003		CICLUS 5000 S-0124

ATTENTION: IMPORTANT

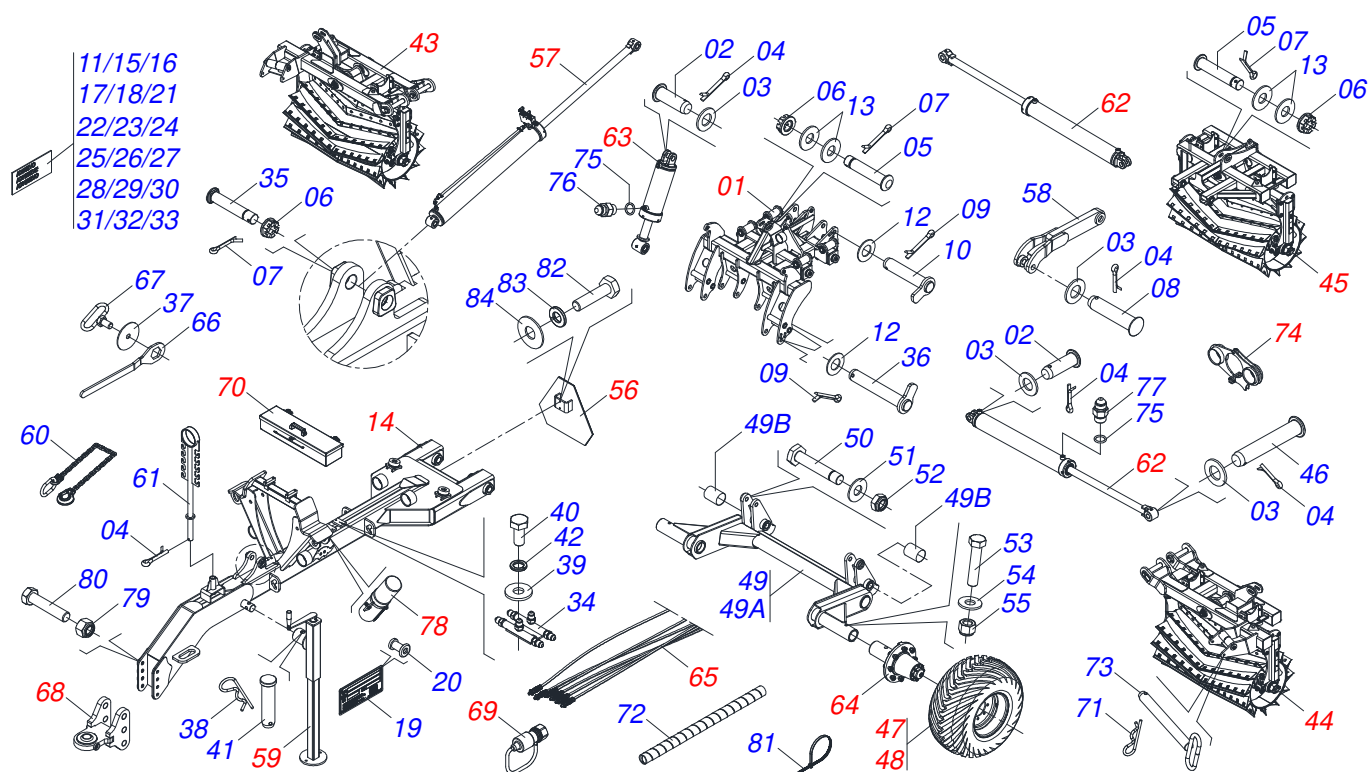
Marchesan S.A. reserves the right to improve and/or modify the technical features of its products, without obligation to do the same with those products already sold and without prior knowledge of the dealer or the customer. The photos are only illustrative.



MARCHESAN

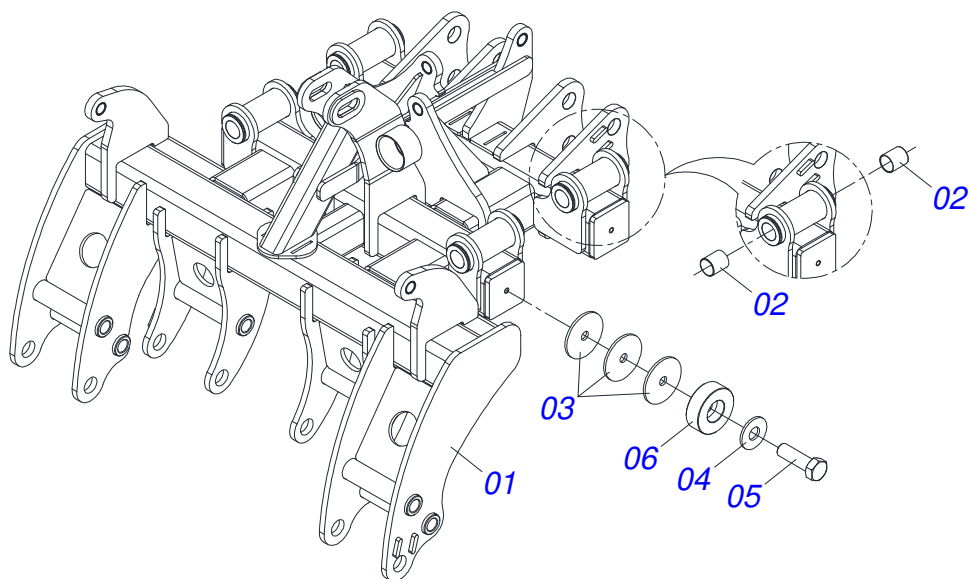
INDEX

0909097360	FRAME ASSY	1
0541052938	CENTRAL FRAME WITH BUSHING	2
0541053018	DRAWBAR WITH BUSHINGS	3
0531045569	RIGHT SIDE FRAME ASSY	4
0531045732	RIGHT ROLLER ASSY	5
0531045568	LEFT SIDE FRAME ASSY	6
0531045730	LEFT ROLLER ASSY	7
0531045976	REAR FRAME ASSY	8
0531045731	CENTRAL ROLLER ASSY	9
0531045502	9.30" X 2.1/8" NATIONAL DMO AGRICULTURAL BEARING WITH PROTECTION	10
0541052534	9.30" X 2.1/8" NATIONAL DMO AGRICULTURAL BEARING	11
0541052939	SIDE ROLLER FIXING SUPPORT	12
0541052961	CENTRAL ROLLER FIXING SUPPORT WITH BUSHINGS	13
0503064501	WHEEL WITH TIRE 400/60 X 15.5-16L RIGHT	14
0503064500	WHEEL WITH TIRE 400/60 X 15.5-16L LEFT	15
0531040334	SAFETY TRIANGLE DECAL	16
0531045500	2.50" X 5.90" X 59.30" X 45.10" HYDRAULIC CYLINDER WITH RETENTION VALVE	17
0531045499	2.50" X 5.90" X 59.30" X 45.10" HYDRAULIC CYLINDER	18
0531046295	DRAWBAR JACK	19
0531045517	2" X 4" X 43.30" X 28.50" HYDRAULIC CYLINDER	20
0531045498	2" X 4.50" X 24.80" X 8.50" HYDRAULIC CYLINDER	21
0501056467	WHEEL WITHOUT TIRE	22
0541055159	HOSE SET	23
0531046463	TRACTOR HITCH WITH GREASE FITTING	24
0531045625	TOOL BOX ASSY	25
0531046301	HOSES SUPPORT ASSY	26
0541055106	MANUAL CANISTER	27
0501053834	MALE QUICK COUPLER	28

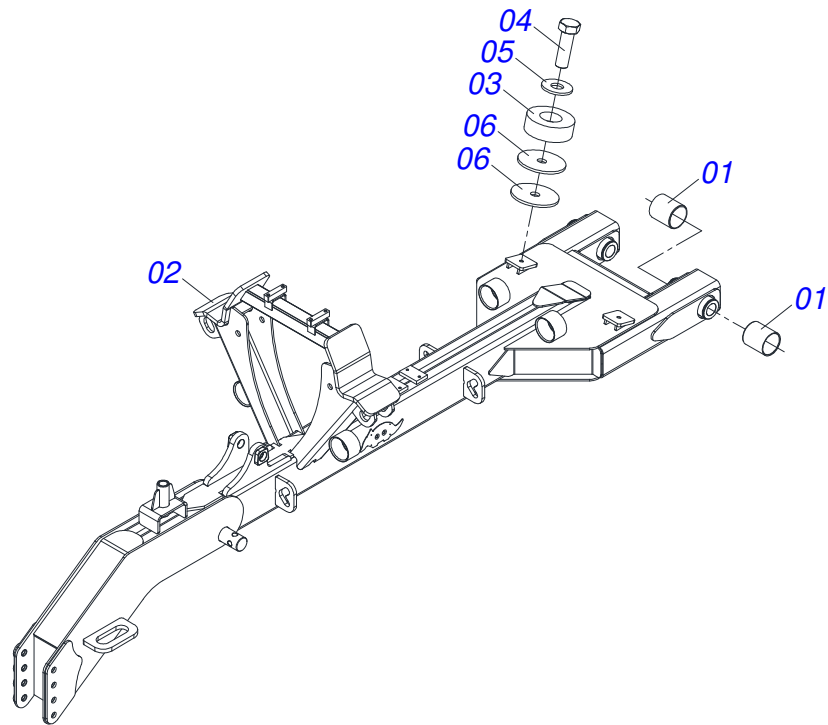


Item	Code	Description	See page	QT
01	0541052938	CENTRAL FRAME WITH BUSHING	2	01
02	0521010779	31.75 X 95 COUPLING SHAFT		04
03	0501017779	FLAT WASHER 32 X 60 X 4,75		07
04	0503010523	1/4 X 2 SPLIT PIN		08
05	0501317126	37.50 X 180 ZN JUNCTION AXLE		02
06	0501011301	1.1/2" UNC 6FPP 2.5/16" NUT		03
07	0503010010	1/4" X 2.1/2" SPLIT PIN		03
08	0521012536	COUPLING SHAFT		01
09	0503010073	3/8" X 3.1/2" SPLIT PIN		06
10	0531067413	238 (HOLE 218) JUNCTION AXLE		02
11	0503013229	REFLECTIVE SIDE BAND		09
12	0591010852	52 X 100 X 4.75 FLAT WASHER		06
13	0501314316	FLAT WASHER 38,50 X 90 X 6,35		04
14	0541053018	DRAWBAR WITH BUSHINGS	3	01
15	0503035222	WARNING MACHINE RUNAWAY DECAL		01
16	0503035219	DANGER NEGATIVE TONGUE DECAL		01
17	0503034078	LIFTING POINTS DECAL		03
18	0503035340	TATU LOGO DECAL		01
19	0503034003	61 X 118 SERIAL NUMBER TAG		01
20	0503010001	RIVET 3,2 X 5,5		04
21	0503033038	DANGER DECAL		01
22	0503035531	COLORS HOSE GRIP DECAL (TATU SPEED DISK)		01
23	0503031827	DAILY LUBRICATION AND RETIGHTENING DECAL		01
24	0503031428	ATTENTION READ MANUAL DECAL		01
25	0503035216	CAUTION HYDRAULIC CONTROL HAZARD DECAL		01
26	0503035218	DANGER ELETROCUTION HAZARD DECAL		01
27	0503035220	WARNING FRAME PINCH POINT DECAL		01
28	0503035221	WARNING HIGH PRESSURE DECAL		01
29	0503035223	WARNING MAXIMUM SPEED DECAL		01
30	0503035224	WARNING SAFETY INFORMATION DECAL		01
31	0503031739	DANGER DECAL		01
32	0503038386	RIGHT CICLUS 5000 DECAL		01

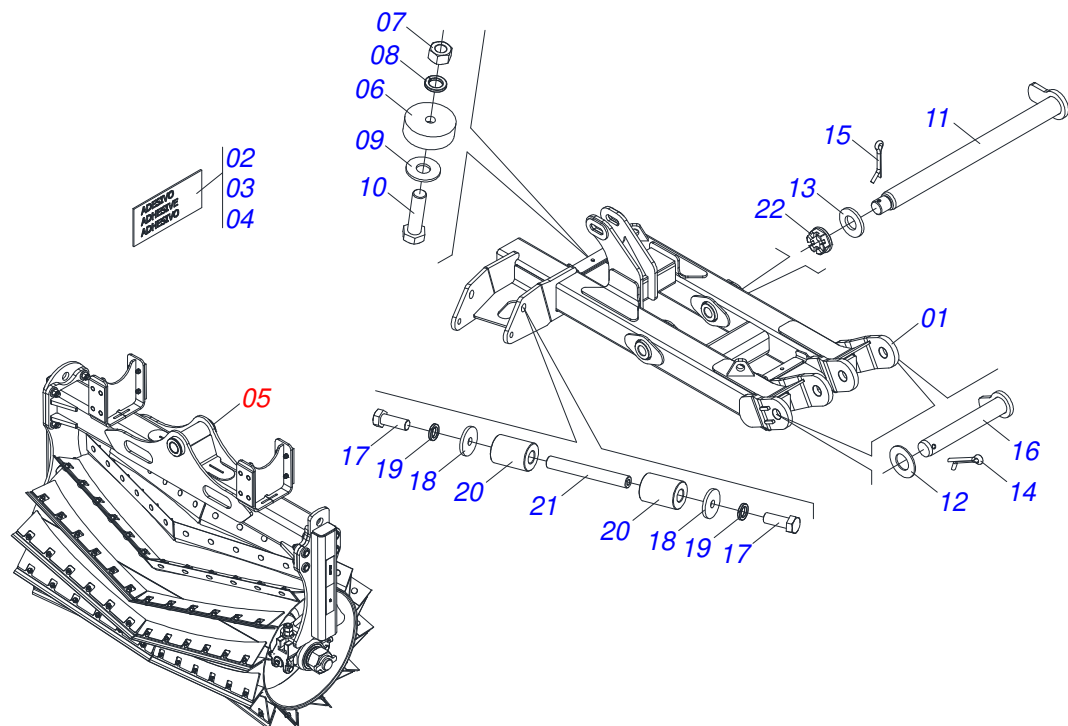
Item	Code	Description	See page	QT
33	0503038387	LEFT CICLUS 5000 DECAL		01
34	0501068706	DOUBLE CONNECTION		02
35	0541014119	37.5 X 195 COUPLING SHAFT		01
36	0531067379	303 HOLE 283 JUNCTION AXLE		04
37	0521011722	FLAT WASHER		01
38	0503030012	HITCH PIN CLIP		01
39	0501012803	FLAT WASHER 12 X 30 X 3,00 ZN		04
40	0503011338	BOLT 7/16" UNC X 1" CS G.5 ZN		04
41	0561014251	COUPLING SHAFT		01
42	0503010180	7/16" SPRING WASHER		04
43	0531045569	RIGHT SIDE FRAME ASSY	4	01
44	0531045568	LEFT SIDE FRAME ASSY	6	01
45	0531045976	REAR FRAME ASSY	8	01
46	0521015501	COUPLING SHAFT		02
47	0503064501	WHEEL WITH TIRE 400/60 X 15.5-16L RIGHT	14	01
48	0503064500	WHEEL WITH TIRE 400/60 X 15.5-16L LEFT	15	01
49	0541052782	CENTER WHEEL WITH BUSHINGS		01
49A	0531067399	500 X 2305 CENTRAL WHEEL		01
49B	0503019271	SELF LUBRICATING BUSHING		04
50	0581018185	1.1/4" UNF BOLT		02
51	0501011280	FLAT WASHER 32,50 X 75 X 4,75		02
52	0503010044	SELF LOCKING NUT 1.1/4 UNF G.5 ZN		02
53	0503011198	BOLT 3/4" UNC X 6" CS G.5		02
54	0501010104	FLAT WASHER 45 X 20 X 4		02
55	0503011075	3/4 UNC LOCK NUT		02
56	0531040334	SAFETY TRIANGLE DECAL	16	01
57	0531045500	2.50" X 5.90" X 59.30" X 45.10" HYDRAULIC CYLINDER WITH RETENTION VALVE	17	01
58	0531069098	ROLLER SUPPORT ADJUSTMENT ARM		01
59	0531046295	DRAWBAR JACK	19	01
60	0503013150	1300 X 3/8" CHAIN		01
61	0531062415	HOSE SUPPORT 805		01
62	0531045517	2" X 4" X 43.30" X 28.50" HYDRAULIC CYLINDER	20	02
63	0531045498	2" X 4.50" X 24.80" X 8.50" HYDRAULIC CYLINDER	21	02
64	0501056467	WHEEL WITHOUT TIRE	22	02
65	0541055159	HOSE SET	23	01
66	0501316941	KEY 2.1/8 AND 2.1/2		01
67	0501069343	WRENCH FIXER		01
68	0531046463	TRACTOR HITCH WITH GREASE FITTING	24	01
69	0501053834	MALE QUICK COUPLER	28	06
70	0531045625	TOOL BOX ASSY	25	01
71	0503031035	HITCH PIN CLIP		02
72	0581011174	3/4 X 2400 HOSE PLASTIC PROTECTION SPRING		02
73	0531066851	JOINT SHAFT		02
74	0531046301	HOSES SUPPORT ASSY	26	01
75	0503010190	2-114 N 3006-9B O'RING		08
76	0501010617	NIPPLE 3/4" NF X 3/4" NF HEX. 7/8" X 44		04
77	0561014252	3/4" UNF X 1" NIPPLE WITH REDUCTION		04
78	0541055106	MANUAL CANISTER	27	01
79	0503018754	NUT 1 - 8 UNC - 2B G8		03
80	0503013935	1 UNC X 9 C S G.8 ZN BOLT		03
81	0503013100	NYLON CLAMP 4,8 X 1,3 X 200 MM		20
82	0503010461	BOLT 1/4" UNC X 1" C S G.2 ZN		02
83	0503010143	1/4" SPRING WASHER		02
84	0503010357	8 X 20 X 1 FLAT WASHER		02



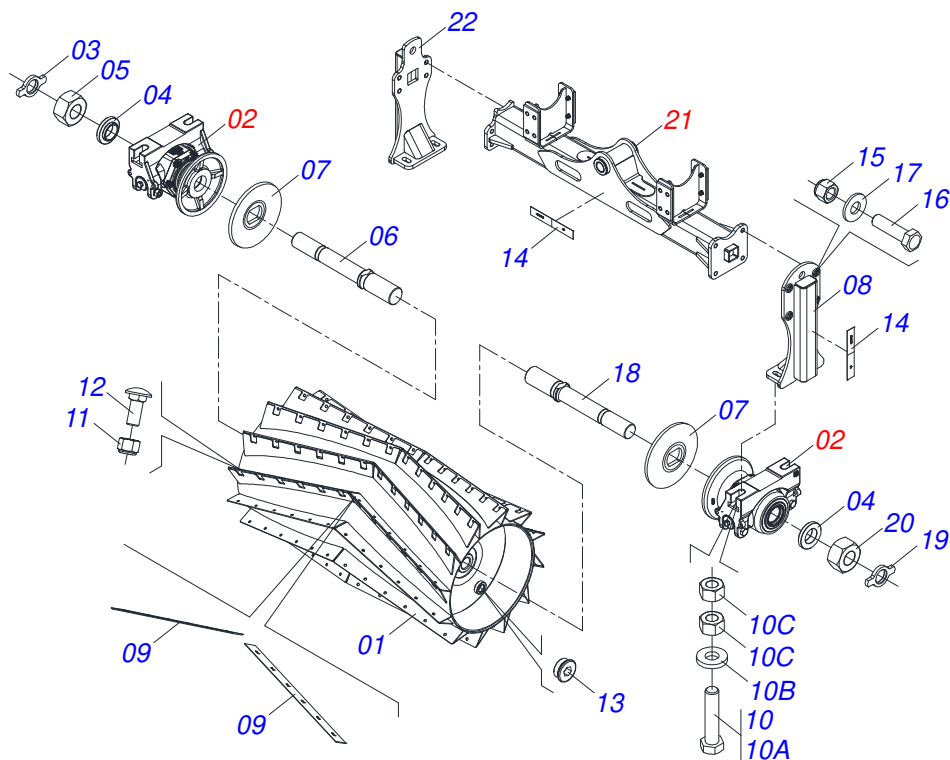
Item	Code	Description	See page	QT
01	0531067875	CENTRAL FRAME		01
02	0503019271	SELF LUBRICATING BUSHING		08
03	0571013284	17,50 X 90 X 4,75 FLAT WASHER		12
04	0571010265	16,50 X 40 X 3,00 ZN FLAT WASHER		04
05	0501010100	BOLT 5/8" UNC X 2 CS G.5 ZN		04
06	0581011153	FRAME BEATER		04



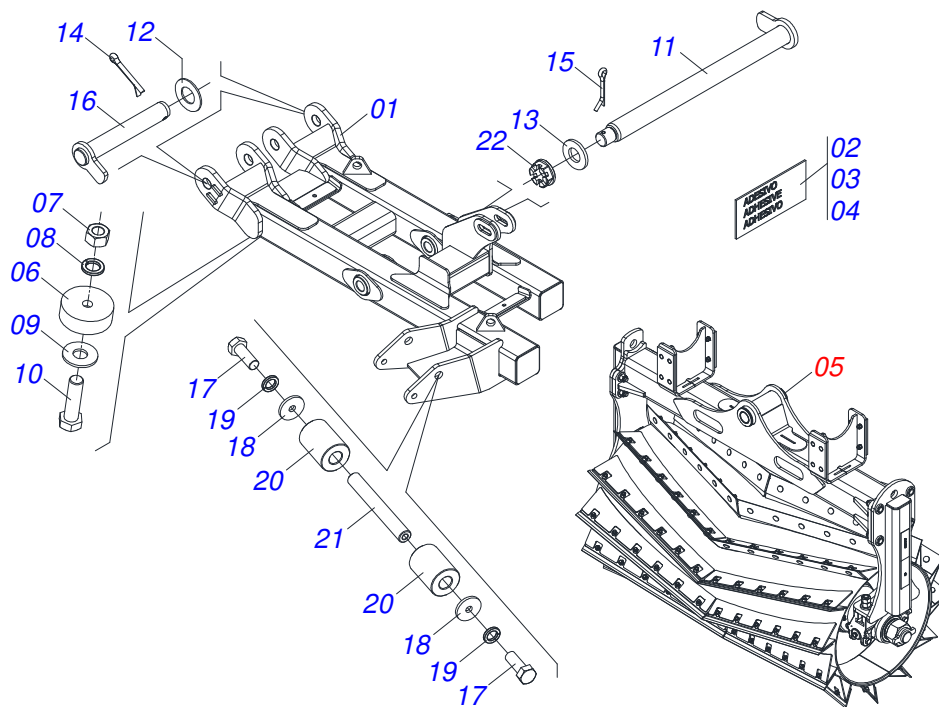
Item	Code	Description	See page	QT
01	0503019271	SELF LUBRICATING BUSHING		04
02	0531067929	DRAWBAR		01
03	0521011481	FRAME BATTERY		02
04	0501010100	BOLT 5/8" UNC X 2 CS G.5 ZN		02
05	0571010265	16,50 X 40 X 3,00 ZN FLAT WASHER		02
06	0571013284	17,50 X 90 X 4,75 FLAT WASHER		04



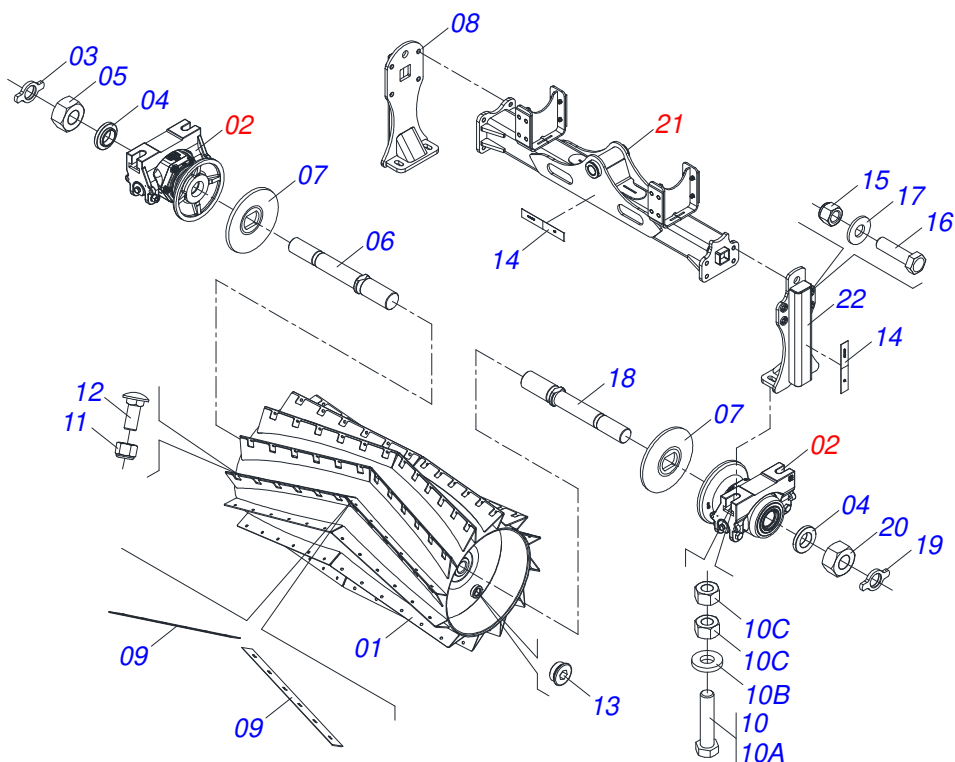
Item	Code	Description	See page	QT
01	0531067938	RIGHT SIDE FRAME		01
02	0503035217	DANGER CRUSHING HAZARD DECAL		01
03	0503031896	DANGER DECAL		01
04	0503034078	LIFTING POINTS DECAL		02
05	0531045732	RIGHT ROLLER ASSY	5	01
06	0521011481	FRAME BATTERY		02
07	0503010013	5/8 UNC G.5 ZN HEX NUT		02
08	0503010027	5/8 SPRING WASHER		02
09	0571010265	16,50 X 40 X 3,00 ZN FLAT WASHER		02
10	0503010899	5/8 UNC X 2.1/4 BOLT		02
11	0531067393	JUNCTION AXIS 643 (HOLE 623)		01
12	0591010852	52 X 100 X 4.75 FLAT WASHER		02
13	0501218893	1.60" X 3.20" X 0.30" FLAT WASHER		01
14	0503010073	3/8" X 3.1/2" SPLIT PIN		02
15	0503010010	1/4" X 2.1/2" SPLIT PIN		01
16	0531067392	JUNCTION AXIS 313 (HOLE 293)		02
17	0501010098	BOLT 3/4" UNC X 2 C S G.5 ZN		02
18	0571018839	20 X 75 X 8 FLAT WASHER		02
19	0503010023	3/4" SPRING WASHER		02
20	0591010854	SIDE FRAME SUPPORT		02
21	0591010853	38.1 X 285 FIXING SHAFT		01
22	0501011301	1.1/2" UNC 6FPP 2.5/16" NUT		01



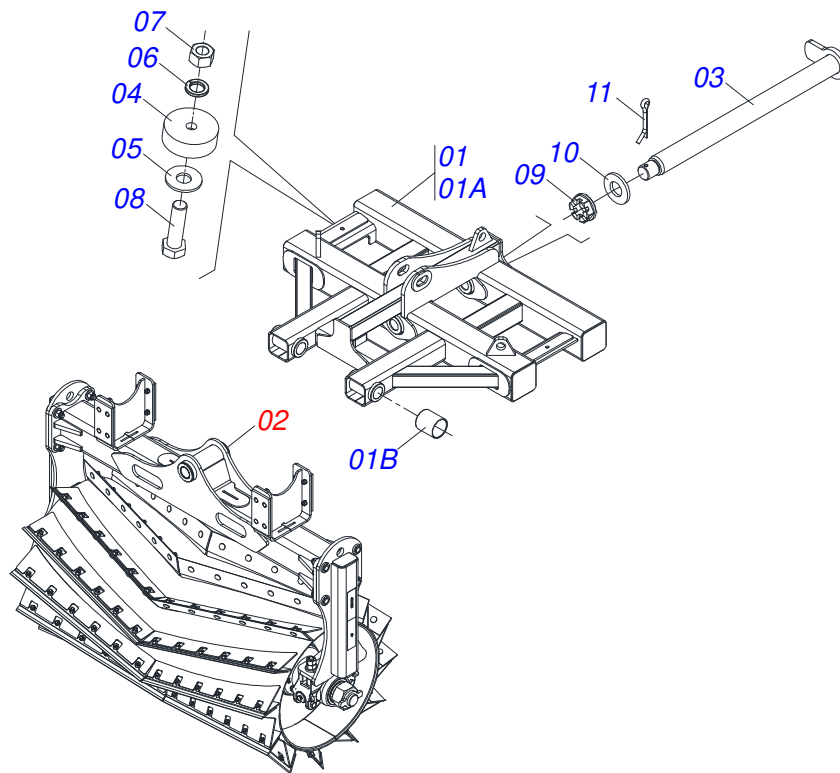
Item	Code	Description	See page	QT
01	0531067925	ROLLER 1500		001
02	0531045502	9.30" X 2.1/8" NATIONAL DMO AGRICULTURAL 10 BEARING WITH PROTECTION		002
03	0551012908	RIGHT LOCKNUT R 2-1/8"		001
04	0501316661	FLAT WASHER 55		002
05	0591016676	NUT R.2.1/8 UNS 7FPP X 53 ZN		001
06	0501316660	AXIS 2.1/8 X 470 RIGHT-HAND THREAD		001
07	0501316659	BUSHING THRUST WASHER		002
08	0531067382	SUPPORT		001
09	0501319249	BLADE 775		024
10	0521047558	7/8" X 4" BOLT ASSY		004
10A	0503013310	7/8 UNC X 4 C S G.5 ZN BOLT		001
10B	0561013107	FLAT WASHER		001
10C	0503010417	7/8" NUT		002
11	0503014734	BOLT		144
12	0503010589	1/2" UNC SELF ADJUSTING NUT		144
13	0503063970	THREADED PLUG 1.5/16 UNF		002
14	0503013229	REFLECTIVE SIDE BAND		003
15	0503010152	3/4" SELF LOCKING NUT		008
16	0503017855	BOLT 3/4" UNF 2.3/4 CS G.5 ZN		008
17	0501010104	FLAT WASHER 45 X 20 X 4		008
18	0501318641	2.1/8 X 470 AXIS		001
19	0551012909	LEFT LOCKNUT R 2-1/8"		001
20	0501318646	R.2.1/8 UNS 7FPP X 53 SA NUT		001
21	0541052939	SIDE ROLLER FIXING SUPPORT	12	001
22	0531067845	SIDE SUPPORT MOBILE		001



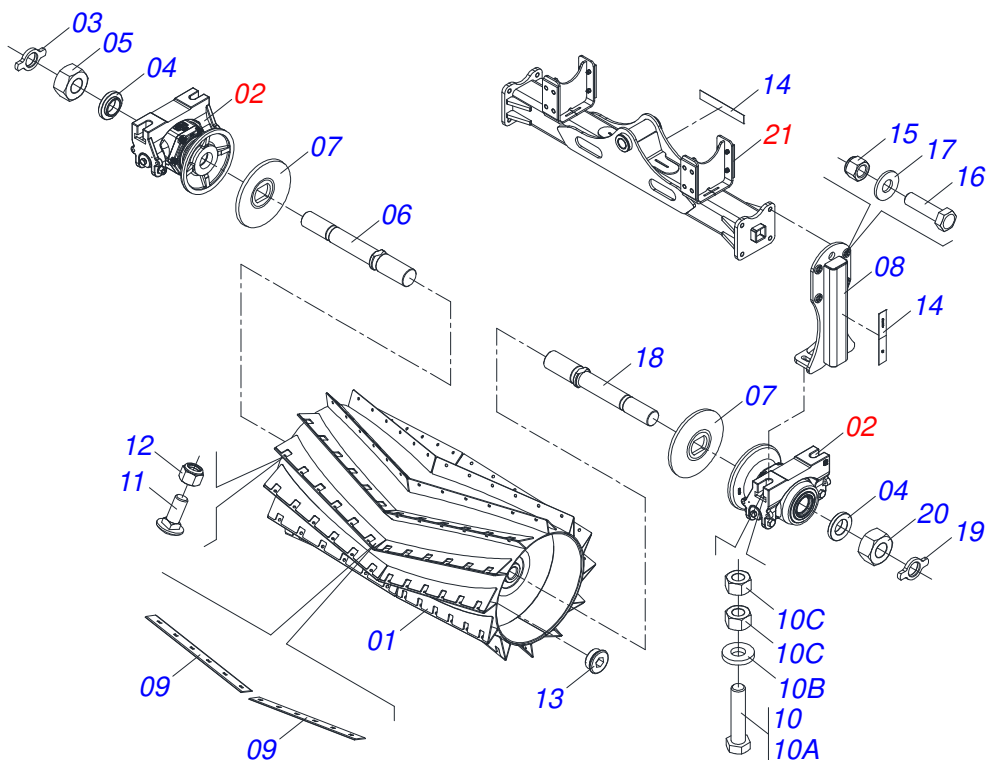
Item	Code	Description	See page	QT
01	0531067968	LEFT SIDE FRAME		01
02	0503035217	DANGER CRUSHING HAZARD DECAL		01
03	0503031896	DANGER DECAL		01
04	0503034078	LIFTING POINTS DECAL		02
05	0531045730	LEFT ROLLER ASSY	7	01
06	0521011481	FRAME BATTERY		02
07	0503010013	5/8 UNC G.5 ZN HEX NUT		02
08	0503010027	5/8 SPRING WASHER		02
09	0571010265	16,50 X 40 X 3,00 ZN FLAT WASHER		02
10	0503010899	5/8 UNC X 2.1/4 BOLT		02
11	0531067393	JUNCTION AXIS 643 (HOLE 623)		01
12	0591010852	52 X 100 X 4.75 FLAT WASHER		02
13	0501218893	1.60" X 3.20" X 0.30" FLAT WASHER		01
14	0503010073	3/8" X 3.1/2" SPLIT PIN		02
15	0503010010	1/4" X 2.1/2" SPLIT PIN		01
16	0531067392	JUNCTION AXIS 313 (HOLE 293)		02
17	0501010098	BOLT 3/4" UNC X 2 C S G.5 ZN		02
18	0571018839	20 X 75 X 8 FLAT WASHER		02
19	0503010023	3/4" SPRING WASHER		02
20	0591010854	SIDE FRAME SUPPORT		02
21	0591010853	38.1 X 285 FIXING SHAFT		01
22	0501011301	1.1/2" UNC 6FPP 2.5/16" NUT		01



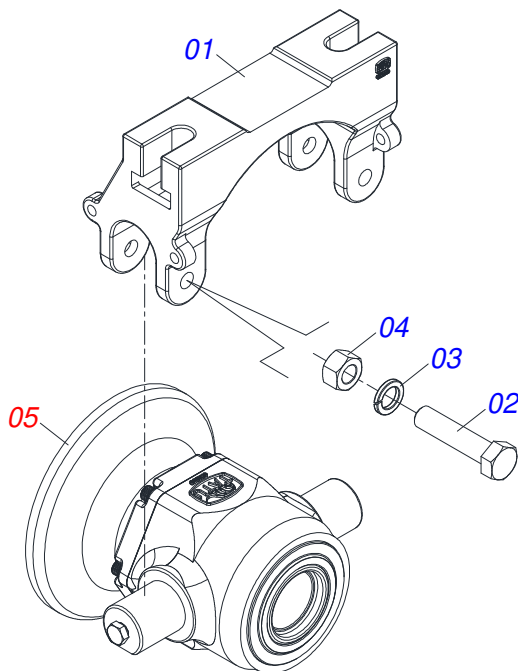
Item	Code	Description	See page	QT
01	0531067925	ROLLER 1500		001
02	0531045502	9.30" X 2.1/8" NATIONAL DMO AGRICULTURAL 10 BEARING WITH PROTECTION		002
03	0551012908	RIGHT LOCKNUT R 2-1/8"		001
04	0501316661	FLAT WASHER 55		002
05	0591016676	NUT R.2.1/8 UNS 7FPP X 53 ZN		001
06	0501316660	AXIS 2.1/8 X 470 RIGHT-HAND THREAD		001
07	0501316659	BUSHING THRUST WASHER		002
08	0531067382	SUPPORT		001
09	0501319249	BLADE 775		024
10	0521047558	7/8" X 4" BOLT ASSY		004
10A	0503013310	7/8 UNC X 4 C S G.5 ZN BOLT		001
10B	0561013107	FLAT WASHER		001
10C	0503010417	7/8" NUT		002
11	0503014734	BOLT		144
12	0503010589	1/2" UNC SELF ADJUSTING NUT		144
13	0503063970	THREADED PLUG 1.5/16 UNF		002
14	0503013229	REFLECTIVE SIDE BAND		003
15	0503010152	3/4" SELF LOCKING NUT		008
16	0503017855	BOLT 3/4" UNF 2.3/4 CS G.5 ZN		008
17	0501010104	FLAT WASHER 45 X 20 X 4		008
18	0501318641	2.1/8 X 470 AXIS		001
19	0551012909	LEFT LOCKNUT R 2-1/8"		001
20	0501318646	R.2.1/8 UNS 7FPP X 53 SA NUT		001
21	0541052939	SIDE ROLLER FIXING SUPPORT	12	001
22	0531067845	SIDE SUPPORT MOBILE		001



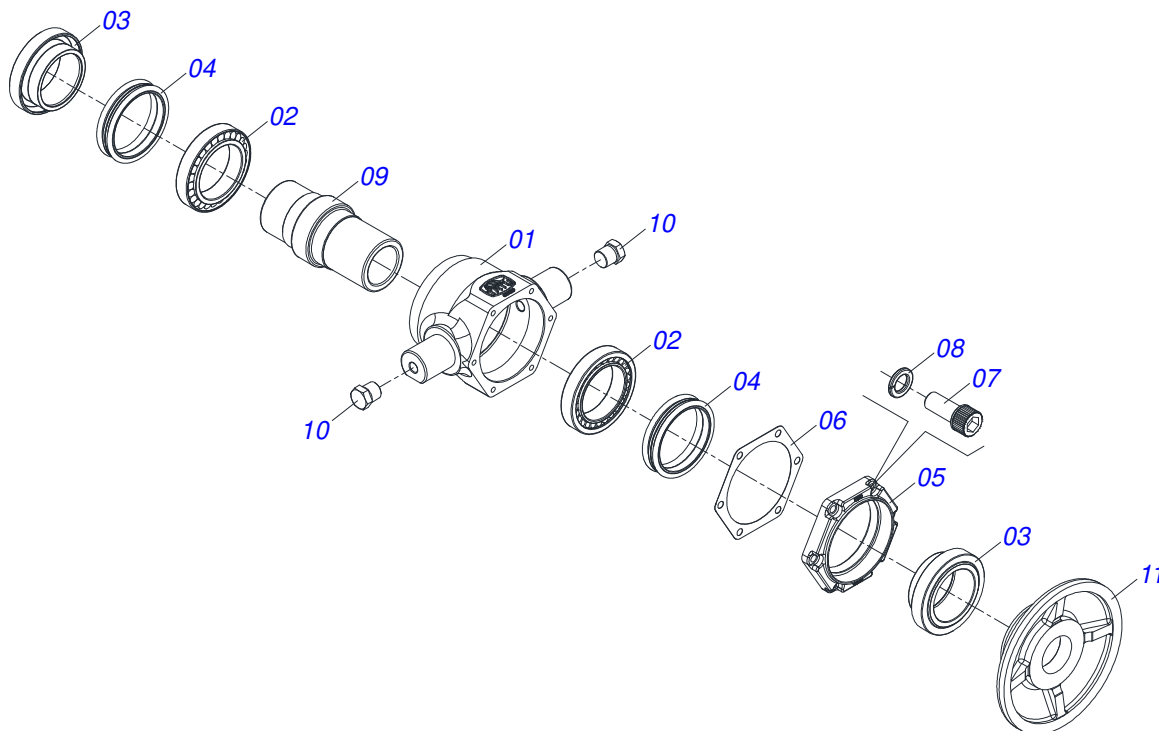
Item	Code	Description	See page	QT
01	0541052953	REAR FRAME WITH BUSHINGS		01
01A	0531067926	REAR FRAME		01
01B	0503019271	SELF LUBRICATING BUSHING		04
02	0531045731	CENTRAL ROLLER ASSY	9	01
03	0531067393	JUNCTION AXIS 643 (HOLE 623)		01
04	0521011481	FRAME BATTERY		02
05	0571010265	16,50 X 40 X 3,00 ZN FLAT WASHER		02
06	0503010027	5/8 SPRING WASHER		02
07	0503010013	5/8 UNC G.5 ZN HEX NUT		02
08	0503010899	5/8 UNC X 2.1/4 BOLT		02
09	0501011301	1.1/2" UNC 6FPP 2.5/16" NUT		01
10	0501218893	1.60" X 3.20" X 0.30" FLAT WASHER		01
11	0503010010	1/4" X 2.1/2" SPLIT PIN		01



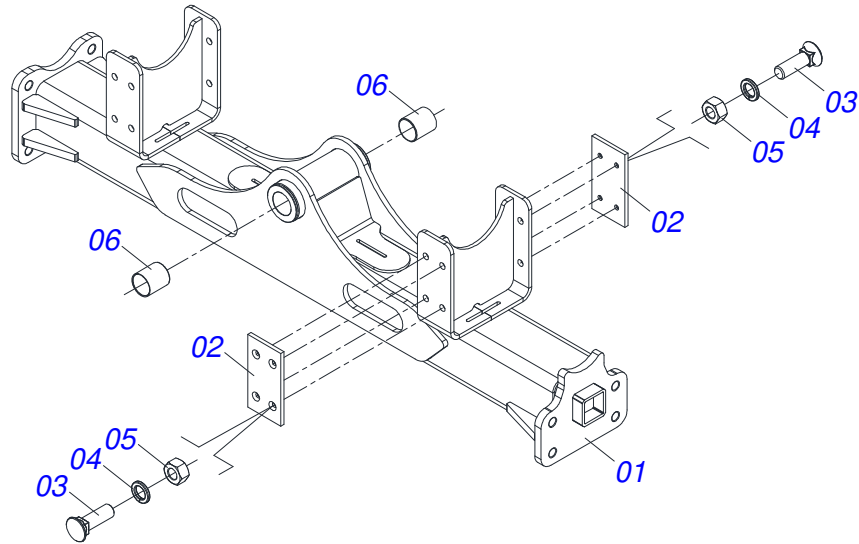
Item	Code	Description	See page	QT
01	0531067925	ROLLER 1500		001
02	0531045502	9.30" X 2.1/8" NATIONAL DMO AGRICULTURAL 10 BEARING WITH PROTECTION		002
03	0551012908	RIGHT LOCKNUT R 2-1/8"		001
04	0501316661	FLAT WASHER 55		002
05	0591016676	NUT R.2.1/8 UNS 7FPP X 53 ZN		001
06	0501316660	AXIS 2.1/8 X 470 RIGHT-HAND THREAD		001
07	0501316659	BUSHING THRUST WASHER		002
08	0531067382	SUPPORT		002
09	0501319249	BLADE 775		024
10	0521047558	7/8" X 4" BOLT ASSY		004
10A	0503013310	7/8 UNC X 4 C S G.5 ZN BOLT		001
10B	0561013107	FLAT WASHER		001
10C	0503010417	7/8" NUT		002
11	0503014734	BOLT		144
12	0503010589	1/2" UNC SELF ADJUSTING NUT		144
13	0503063970	THREADED PLUG 1.5/16 UNF		002
14	0503013229	REFLECTIVE SIDE BAND		003
15	0503010152	3/4" SELF LOCKING NUT		008
16	0503017855	BOLT 3/4" UNF 2.3/4 CS G.5 ZN		008
17	0501010104	FLAT WASHER 45 X 20 X 4		008
18	0501318641	2.1/8 X 470 AXIS		001
19	0551012909	LEFT LOCKNUT R 2-1/8"		001
20	0501318646	R.2.1/8 UNS 7FPP X 53 SA NUT		001
21	0541052961	CENTRAL ROLLER FIXING SUPPORT WITH 13 BUSHINGS		001



Item	Code	Description	See page	QT
01	0502012860	BEARING SUPPORT		01
02	0501011543	5/8" X 4" BOLT		02
03	0503010027	5/8 SPRING WASHER		02
04	0503010013	5/8 UNC G.5 ZN HEX NUT		02
05	0541052534	9.30" X 2.1/8" NATIONAL DMO AGRICULTURAL 11 BEARING		01

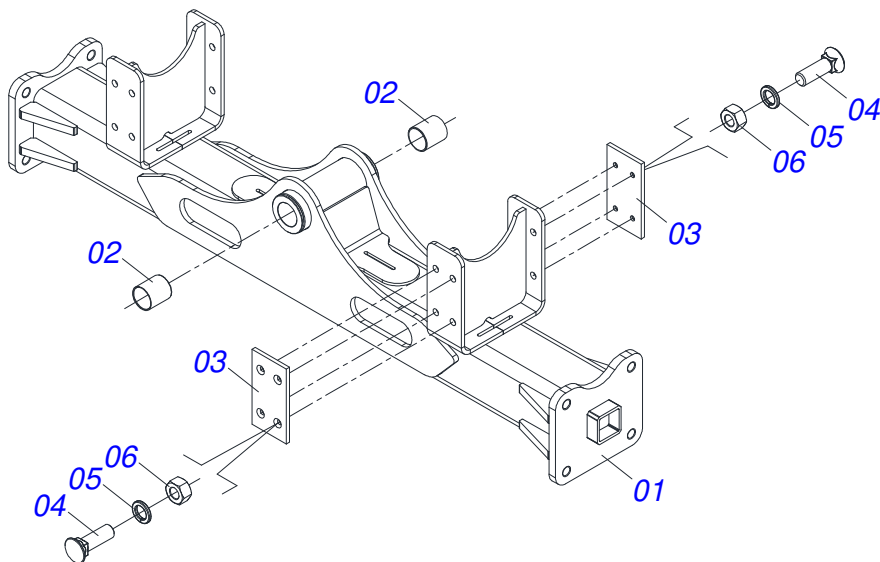


Item	Code	Description	See page	QT
01	0502012859	BEARING BOX		01
02	0503013966	ROLLER BEARING		02
03	0502040198	SEAL RETAINER		02
04	0503030028	JB-257 SEAL		02
05	0502012481	BOX COVER		01
06	0503032999	JOINT		01
07	0503010175	3/8" X 1-1/4" BOLT		06
08	0503011443	SPRING WASHER 3/8"		06
09	0501316674	(201) BEARING AXIS		01
10	0503010856	OIL PLUG R 3/8 BSPT		02
11	0581012051	EXTERNAL DISC		01

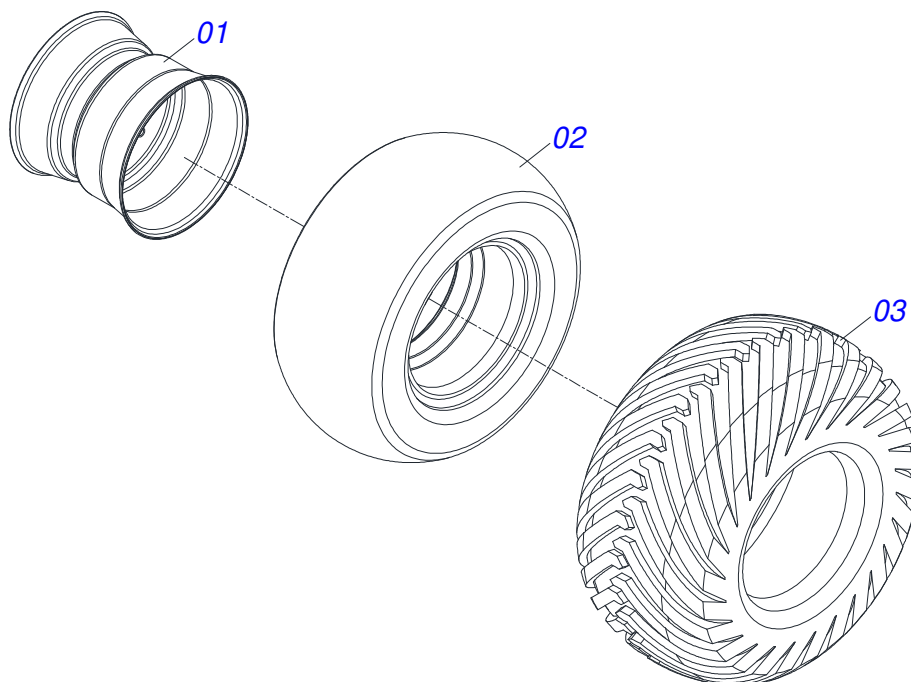


Item	Code	Description	See page	QT
01	0531067921	ROLLER FIXING SIDE SUPPORT		01
02	0501316597	190 X 100 X 10 PLATE		04
03	0503011199	7/16" X 1-1/2" BOLT		16
04	0503010180	7/16" SPRING WASHER		16
05	0503010244	7/16" NUT		16
06	0503019271	SELF LUBRICATING BUSHING		02

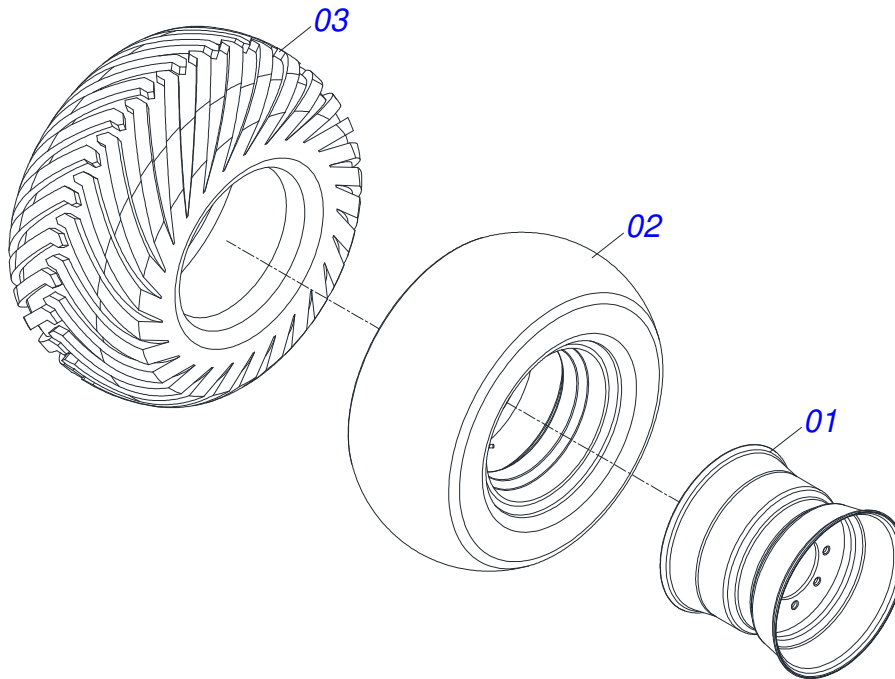
CENTRAL ROLLER FIXING SUPPORT WITH BUSHINGS



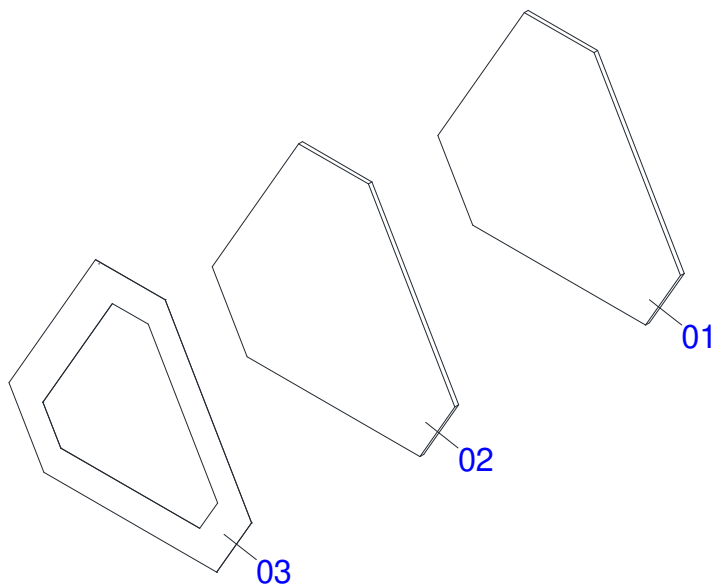
Item	Code	Description	See page	QT
01	0531067889	ROLLER FIXING CENTRAL SUPPORT		01
02	0503019271	SELF LUBRICATING BUSHING		02
03	0501316597	190 X 100 X 10 PLATE		04
04	0503011199	7/16" X 1-1/2" BOLT		16
05	0503010180	7/16" SPRING WASHER		16
06	0503010244	7/16" NUT		16



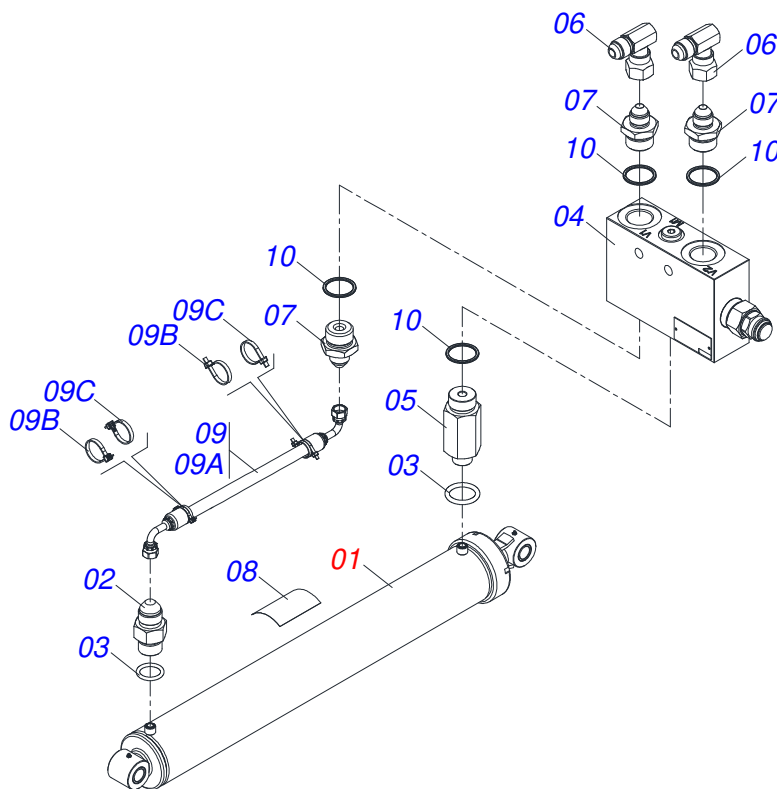
Item	Code	Description	See page	QT
01	0501069483	WHEEL 13 X 15,5 - 21FT		01
02	0503012112	400/60 - 15.5 TR 15 INNER TIRE		01
03	0503017354	TYRE		01



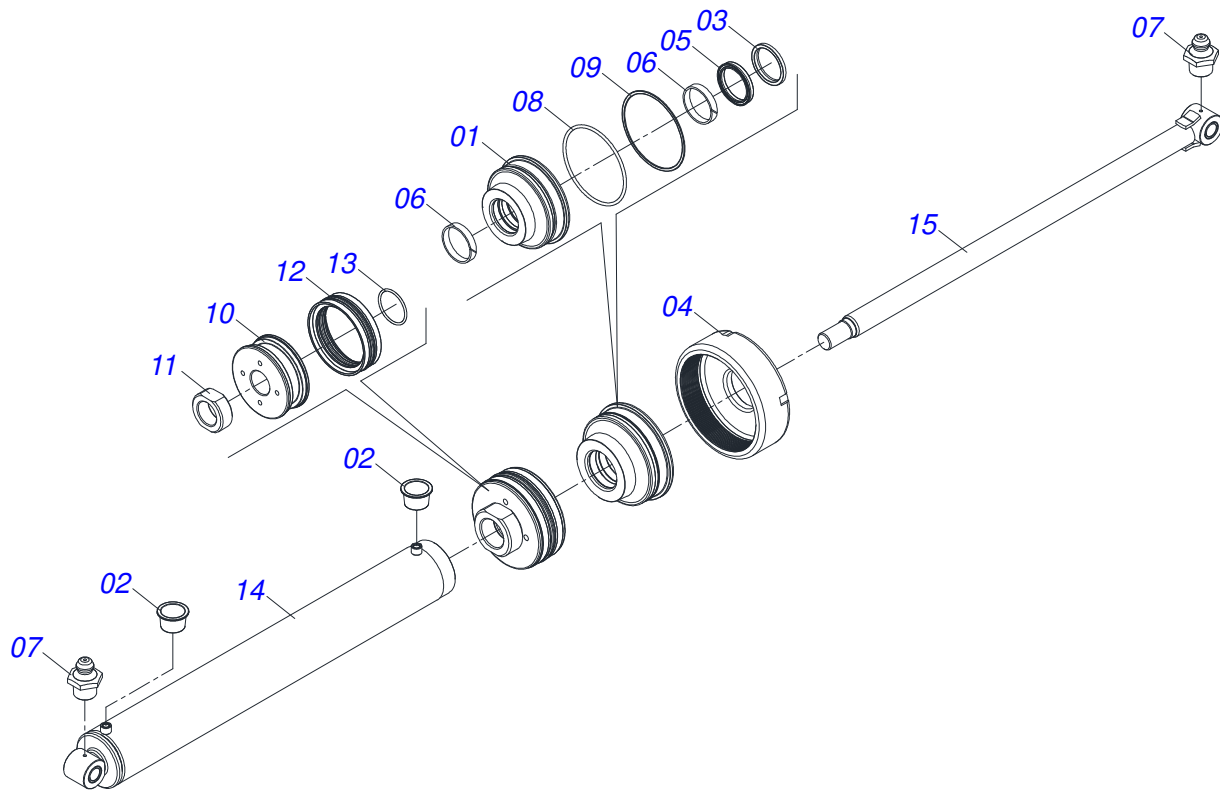
Item	Code	Description	See page	QT
01	0501069483	WHEEL 13 X 15,5 - 21FT		01
02	0503012112	400/60 - 15.5 TR 15 INNER TIRE		01
03	0503017354	TYRE		01



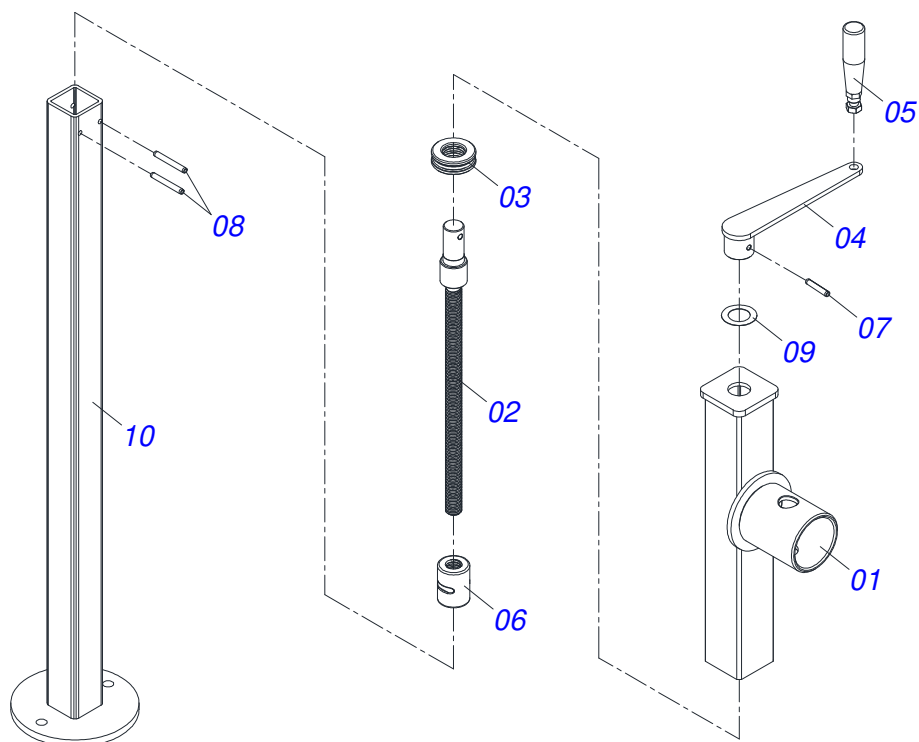
Item	Code	Description	See page	QT
01	0531062096	SIGNALING SUPPORT		01
02	0531060087	SIGNALING SUPPORT		01
03	0503032128	SAFETY TRIANGLE DECAL		01



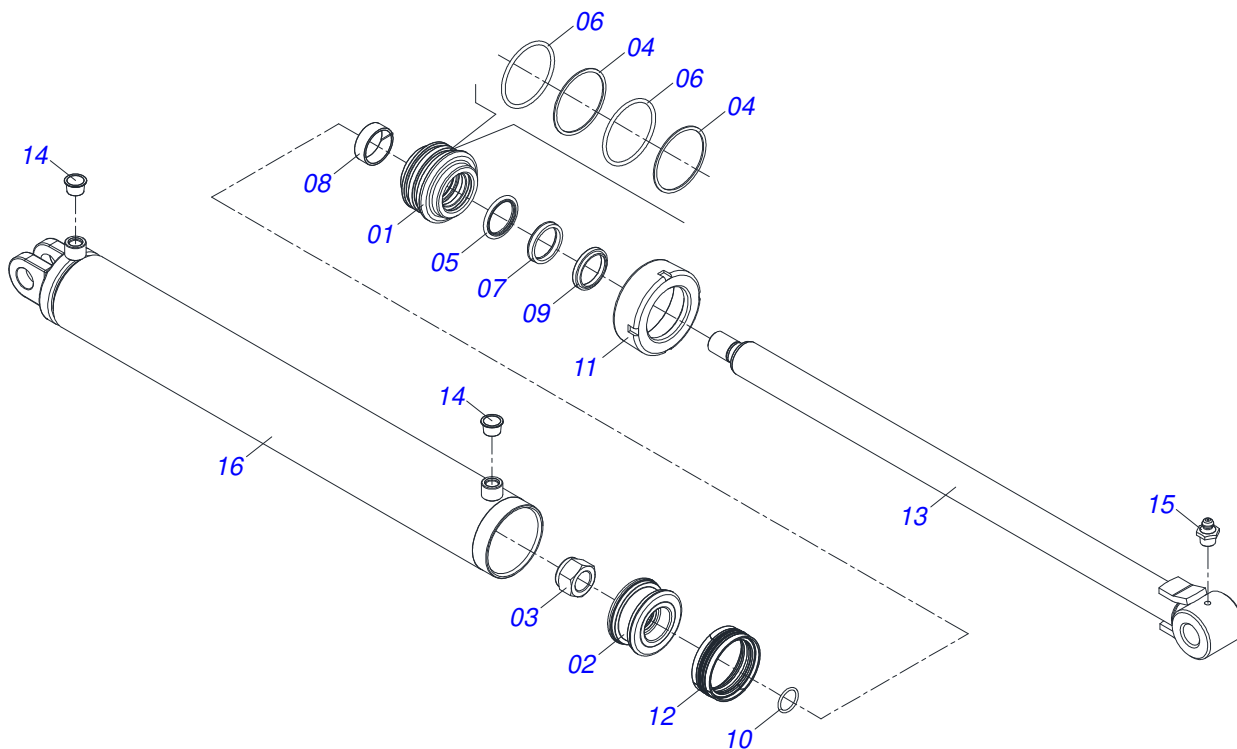
Item	Code	Description	See page	QT
01	0531045499	2.50" X 5.90" X 59.30" X 45.10" HYDRAULIC CYLINDER	18	01
02	0501010617	NIPPLE 3/4" NF X 3/4" NF HEX. 7/8" X 44		01
03	0503010190	2-114 N 3006-9B O'RING		02
04	0513011589	COUNTERBALANCE VALVE		01
05	0501314082	NIPPLE FITTING 3/4 BSP 14FPP X 3/4 UNF 16FPP X 78		01
06	0503018034	HYDRAULIC FITTING JIC 37 X R.3/4 UNF		02
07	0501219897	NIPPLE 3/4 BSP 14FPP X 3/4 UNF 16FPP X 45		03
08	0503035216	CAUTION HYDRAULIC CONTROL HAZARD DECAL		01
09	0541052532	3/8" X 57.10" TC-TC RED/GREEN CLAMP HOSE		01
09A	0501081974	3/8" X 57.10" TC-TC 180G HOSE		01
09B	0503018810	NYLON CLAMP 4,8 X 200 MM (RED)		02
09C	0513011950	NYLON CLAMP 4,80 X 1,30 X 200 MM R22 (GREEN)		02
10	0503036553	SEALING WASHER JC-3/4-BSP 74152900		04



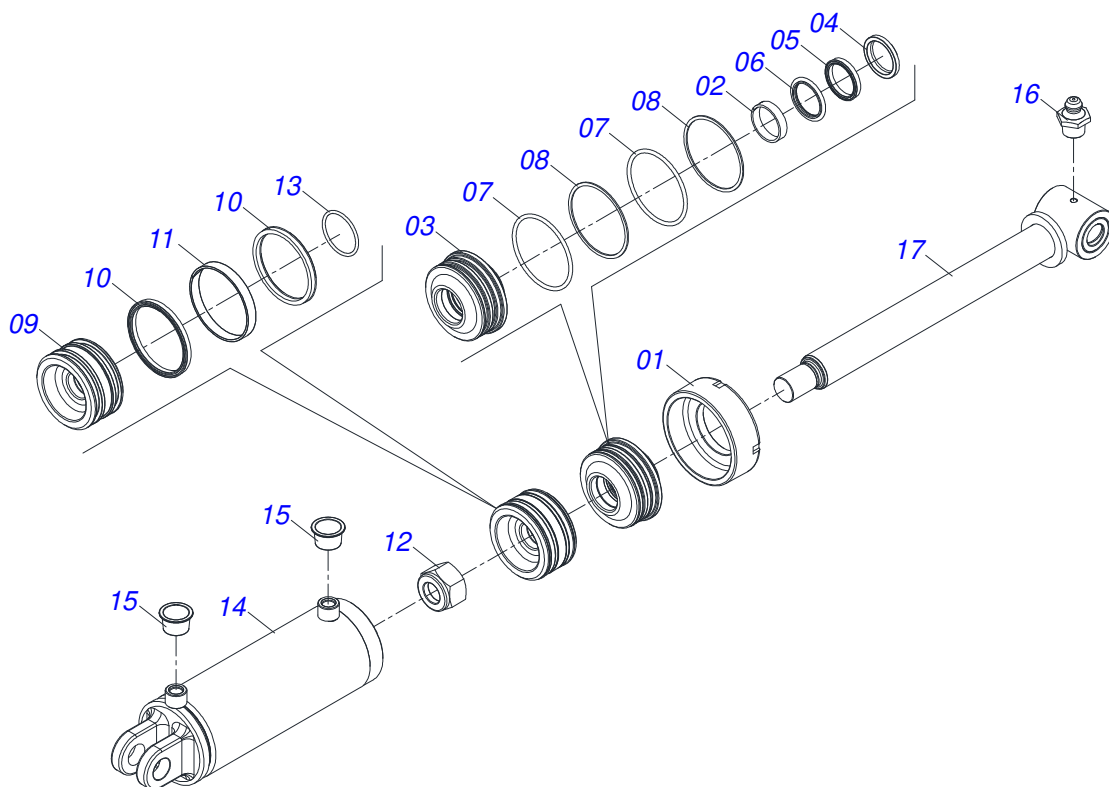
Item	Code	Description	See page	QT
01	0581018237	RING SUPPORT 63.50 X 150 X 80		01
02	0503030384	PLUG N-001		02
03	0503010287	D-2500 SCRAPER RING		01
04	0541010615	MOVABLE COVER		01
05	0503014960	GASKET		01
06	0503010971	W2-2750-500 PK RING G.I		02
07	0503010002	1800 GREASE FITTING		02
08	0503010704	2-357 N 3006-9B O'RING		01
09	0503019286	BACK-UP RING 8-357		01
10	0581018236	PISTON 150 X 57		01
11	0581018235	10 X 30 NUT		01
12	0503015912	SELEMASTER SEALING		01
13	0503019098	O' RING 2-227 N 3006-90B		01
14	0531067749	CYLINDER BARREL 150 X 1305		01
15	0531067376	EXTENDER 63.50 X 1446		01



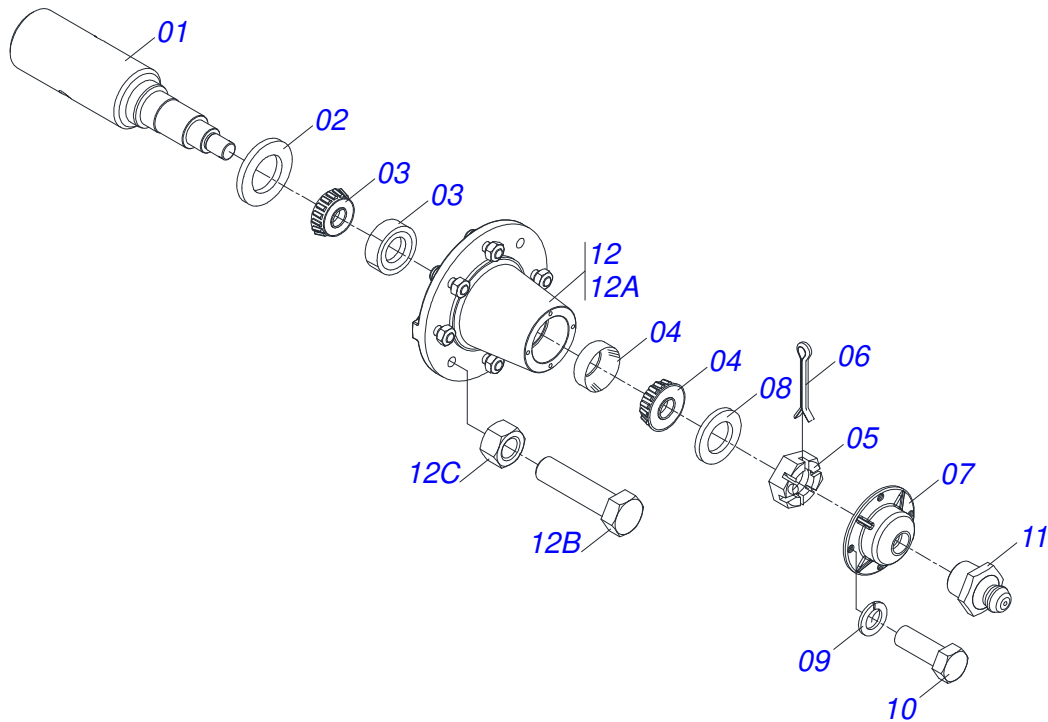
Item	Code	Description	See page	QT
01	0521061080	OUTER BODY DRAWBAR JACK		01
02	0521061082	JACK SPINDLE		01
03	0503013092	51305 BEARING		01
04	0521061081	HANDLE		01
05	0503011312	ROTATIVE CABLE		01
06	0502012604	ADJUSTMENT BUSHING		01
07	0503010561	SPRING PIN		01
08	0503010775	SPRING PIN		02
09	0521015818	FLAT WASHER		01
10	0531069389	DRAWBAR JACK INTERNAL BODY		01



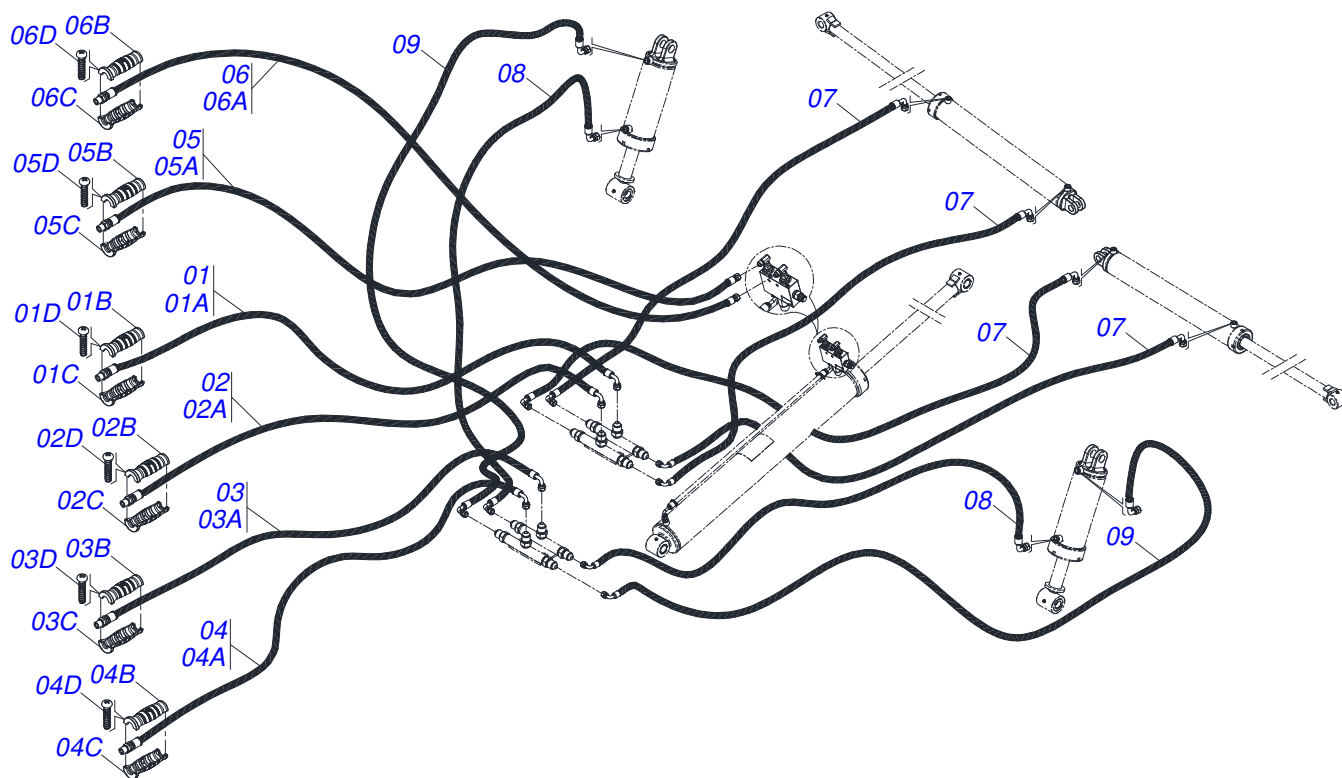
Item	Code	Description	See page	QT
01	0502012821	2" X 4" RING SUPPORT		01
02	0502012820	2" X 4" PISTON		01
03	0503010817	1.1/4" SELF LOCKING NUT		01
04	0503011061	8-342 BACK-UP RING		02
05	0503018024	RING BS OD050805200171D-BR		01
06	0503010338	2-342 N 3006-9B O'RING		02
07	0503018026	GASKET 1870-2000-375 B POLYMAX		01
08	0503018025	RING GUIDE W2-2250-750		01
09	0503010039	D-2000 SCRAPER RING		01
10	0503018029	O'RING 2-217 N 3006 90B		01
11	0502012822	END CAP 4"		01
12	0503015633	SELEMASTER SEALING		01
13	0531067865	PISTON ROD		01
14	0503030384	PLUG N-001		02
15	0503010002	1800 GREASE FITTING		01
16	0531067859	CYLINDER BARREL		01



Item	Code	Description	See page	QT
01	0502011222	END CAP 4 . 1/2"		01
02	0503010952	W2-2250-500 RING		01
03	0581010659	2" X 4" RING SUPPORT		01
04	0503010039	D-2000 SCRAPER RING		01
05	0503018026	GASKET 1870-2000-375 B POLYMAX		01
06	0503018024	RING BS OD050805200171D-BR		01
07	0503011892	O' RING, 2-346 N 3006-9B		02
08	0503011893	BACK-UP RING, 8-346		02
09	0581010658	PISTON 50,80 X 114,30		01
10	0503018164	GASKET 2500-4000-375 B (1150 AGEL)		02
11	0503018165	GUIDE RING W2-4500-590		01
12	0503010290	SELF ADJUSTING 1.1/2" UNF NUT		01
13	0503010141	2-226 N 3006-9B O'RING		01
14	0531067374	CYLINDER BARREL 114,3 X 404		01
15	0503030384	PLUG N-001		02
16	0503010002	1800 GREASE FITTING		01
17	0531067375	EXTENDER 50,80 X 566		01



Item	Code	Description	See page	QT
01	0541016566	SPINDLE 3.1/2 X 375		01
02	0503013314	RETAINER 5166-GB 63,5 X 110 X 13 ARCA		01
03	0503015290	ROLLER BEARING 3780/3720		01
04	0503014821	ROLLER BEARING 2780/2720		01
05	0503830009	CASTLE NUT R 1 UNS 14FPP X 22 SA		01
06	0503010018	5/32" X 1-1/2" SPLIT PIN		01
07	0502020591	PROTECTION LID		01
08	0511812492	FLAT WASHER 28 X 46 X 6,30 AS		01
09	0503011444	SPRING WASHER 5/16"		04
10	0503810358	BOLT 5/16 UNC X 7/8" C S G.5 SA		04
11	0503010002	1800 GREASE FITTING		01
12	0501110738	CARRYING WHEEL HUB 21FT		01
12A	0502012260	TRANSPORT CARRYING-WHEEL HUB		01
12B	0501010186	WHEEL BOLT 5/8"UNF X 2.1/8CR		08
12C	0503010064	5/8 UNF CONIC NUT		08



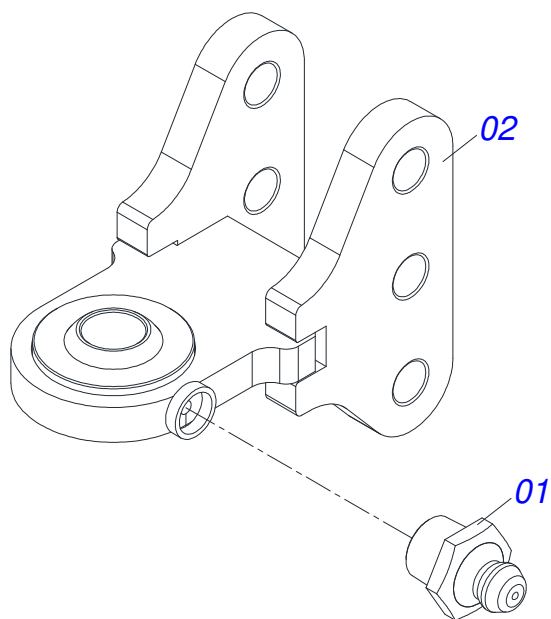
Item	Code	Description	See page	QT
01	0541055199	3/8" X 177.20" TC-TM BROWN/BLUE HOSE		01
01A	0501080362	3/8" X 177.20" TC-TM HOSE		01
01B	0503034494	HYDRAULIC HOSE GRIP (BLUE)		01
01C	0503034490	HYDRAULIC HOSE GRIP (BROWN)		01
01D	0503018952	PH 2,5 X 10 ZB PLASTIC BOLT		06
02	0541055200	3/8" X 177.20" TC-TM BROWN/RED HOSE		01
02A	0501080362	3/8" X 177.20" TC-TM HOSE		01
02B	0503034495	HYDRAULIC HOSE GRIP (RED)		01
02C	0503034490	HYDRAULIC HOSE GRIP (BROWN)		01
02D	0503018952	PH 2,5 X 10 ZB PLASTIC BOLT		06
03	0541055198	3/8" X 177.20" TC-TM BLACK/BLUE HOSE		01
03A	0501080362	3/8" X 177.20" TC-TM HOSE		01
03B	0503034494	HYDRAULIC HOSE GRIP (BLUE)		01
03C	0503034492	HYDRAULIC HOSE GRIP (BLACK)		01
03D	0503018952	PH 2,5 X 10 ZB PLASTIC BOLT		06
04	0521057165	3/8" X 177.20" TC-TM BLACK/RED HOSE		01
04A	0501080362	3/8" X 177.20" TC-TM HOSE		01
04B	0503034495	HYDRAULIC HOSE GRIP (RED)		01
04C	0503034492	HYDRAULIC HOSE GRIP (BLACK)		01
04D	0503018952	PH 2,5 X 10 ZB PLASTIC BOLT		06
05	0541055196	3/8" X 196.80" TR-TM GREEN/RED HOSE		01
05A	0501080399	3/8" X 196.80" TR-TM HOSE		01
05B	0503034495	HYDRAULIC HOSE GRIP (RED)		01
05C	0503034497	HYDRAULIC HOSE GRIP (GREEN)		01
05D	0503018952	PH 2,5 X 10 ZB PLASTIC BOLT		06
06	0541055197	3/8" X 196.80" TR-TM GREEN/BLUE HOSE		01
06A	0501080399	3/8" X 196.80" TR-TM HOSE		01
06B	0503034494	HYDRAULIC HOSE GRIP (BLUE)		01
06C	0503034497	HYDRAULIC HOSE GRIP (GREEN)		01
06D	0503018952	PH 2,5 X 10 ZB PLASTIC BOLT		06
07	0501080432	3/8" X 102.40" TC-TC HOSE		04
08	0501080449	3/8" X 59" TC-TC HOSE		02



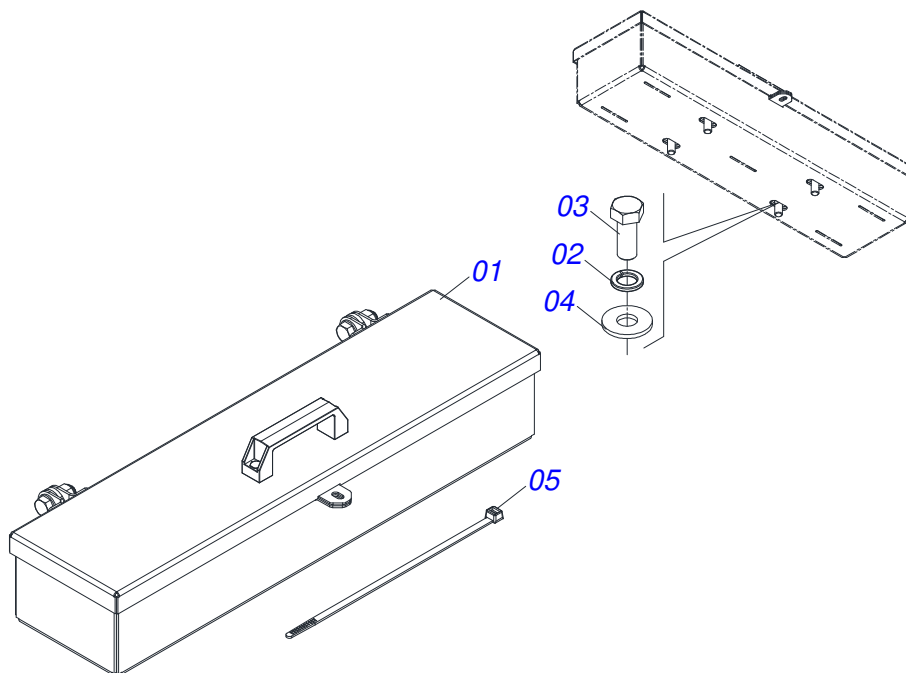
CICLUS 5000
HOSE SET

Page 23
0541055159

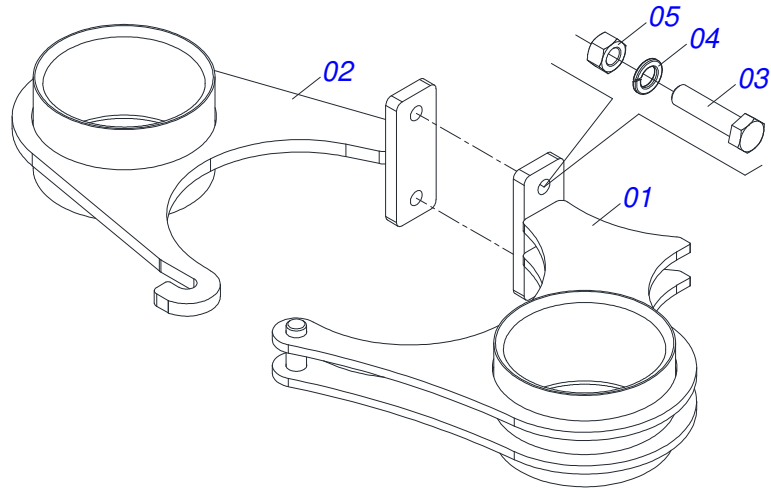
Item	Code	Description	See page	QT
09	0501081643	3/8" X 68.90" TC-TC HOSE		02



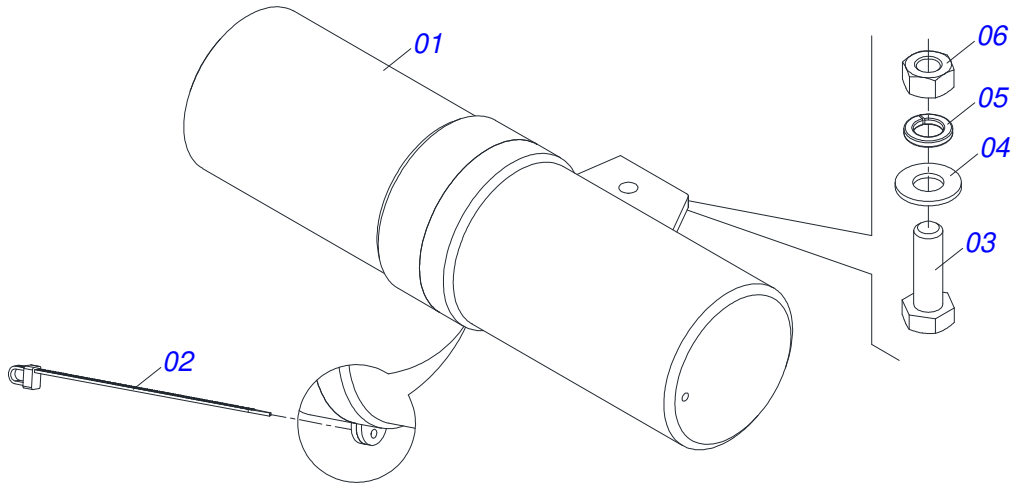
Item	Code	Description	See page	QT
01	0503010002	1800 GREASE FITTING		01
02	0531069639	TRACTOR HITCH WITH BALL JOINT 38X52 172 PIN 1.1/4		01



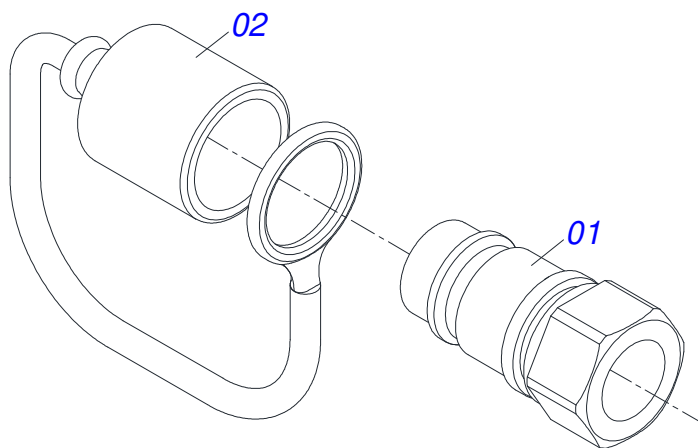
Item	Code	Description	See page	QT
01	0531054500	TOOL BOX		01
02	0503010019	1/2" SPRING WASHER		04
03	0503014007	BOLT 1/2 UNC X 1.1/4 C S G.5 ZN		04
04	0511017302	FLAT WASHER 13,50 X 32,50 X 3,0 ZN		04
05	0503013100	NYLON CLAMP 4,8 X 1,3 X 200 MM		01



Item	Code	Description	See page	QT
01	0531069417	HOSE SUPPORT		01
02	0511074544	HOSE SUPPORT LOCK		01
03	0503010849	3/8" X 1-1/2" BOLT		02
04	0503010025	3/8" SPRING WASHER		02
05	0503010026	3/8" NUT		02



Item	Code	Description	See page	QT
01	0503060100	SUPPORT INSTRUCTION MANUAL		01
02	0503010267	NYLON CLAMP 3,60 X 1,3 X 155 MM		01
03	0503010363	BOLT 5/16 UNC X 1 C S G.2 ZN		01
04	0501010694	FLAT WASHER 8,50 X 18 X 1,50 ZN		01
05	0503010179	LOCK WASHER 5/16 ZN 1K01528		01
06	0503010337	NUT 5/16 UNC G.5 ZN		01



Item	Code	Description	See page	QT
01	0503011627	MALE QUICK COUPLER AGR 1/2 NPT		01
02	0503011882	MALE QUICK COUPLER CAP		01



MARCHESAN

Technical Publications | Elaboration and Revision

LEONARDO JOSÉ DA SILVA SOUZA

www.marchesan.com.br

