

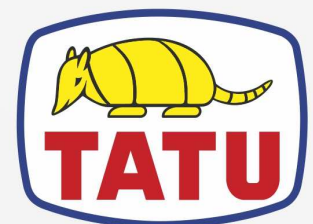
KNIFE ROLLER

CICLUS 3000
CICLUS 3000

Code: 0501093969
Series: S-0124
Revision: 00
Revision Date: AUGUST/2024

PARTS

CATALOGUE



MARCHESAN



PRODUCTS

Code	Working Width	Description
0102590004		CICLUS 3000 S-0124

ATTENTION: IMPORTANT

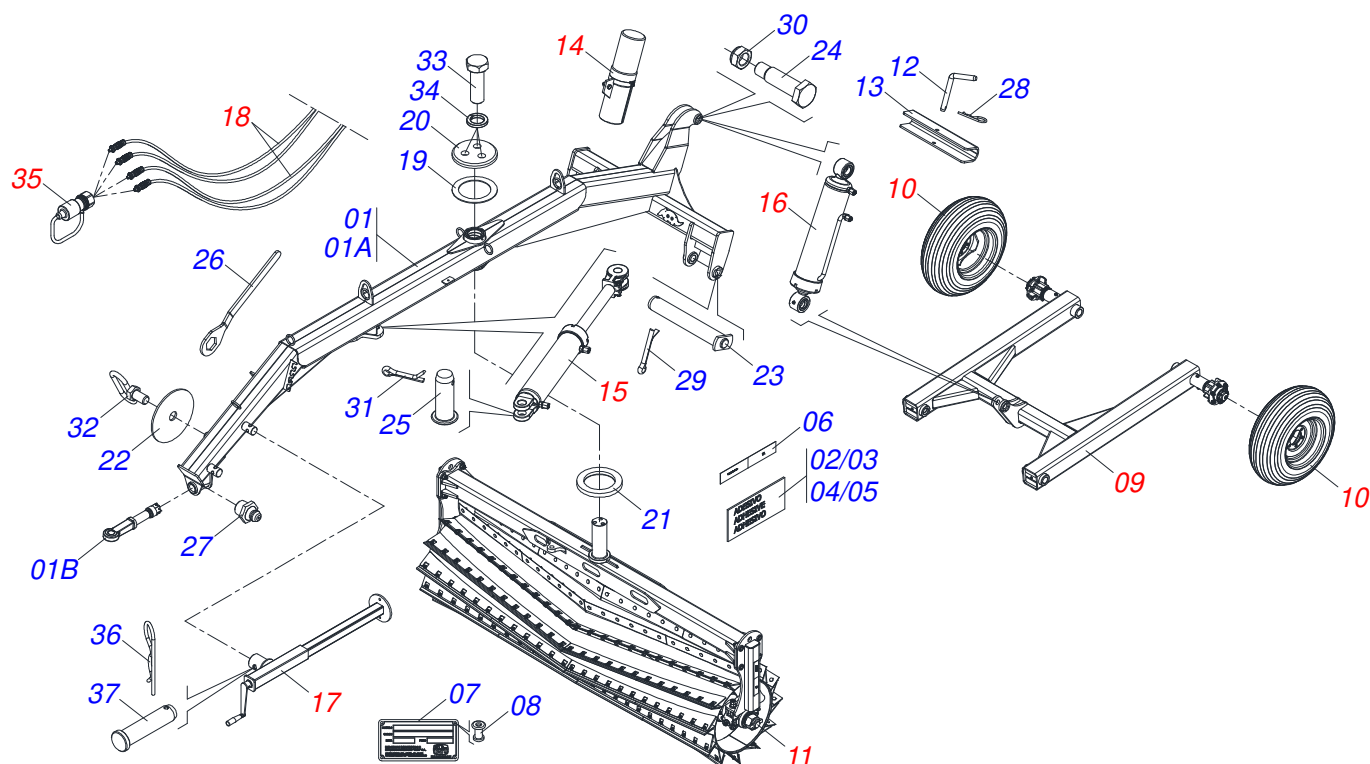
Marchesan S.A. reserves the right to improve and/or modify the technical features of its products, without obligation to do the same with those products already sold and without prior knowledge of the dealer or the customer. The photos are only illustrative.



MARCHESAN

INDEX

0909097323	FRAME ASSY	1
0541054642	CARRYING-WHEEL SEMI-ASSEMBLED	2
0501055907	STUB SHAFT & HUB ASSY	3
0503060181	WHEEL AND TIRE	4
0531045933	ROLLER ASSY	5
0531045502	9.30" X 2.1/8" NATIONAL DMO AGRICULTURAL BEARING WITH PROTECTION	6
0541052534	9.30" X 2.1/8" NATIONAL DMO AGRICULTURAL BEARING	7
0541055106	MANUAL CANISTER	8
0511045677	1.75" X 3.40" X 24.60" X 13" HYDRAULIC CYLINDER	9
0531045934	1.75" X 4" X 24.40" X 13.30" HYDRAULIC CYLINDER	10
0531046295	DRAWBAR JACK	11
0541055104	HOSE SET	12
0501053834	MALE QUICK COUPLER	13



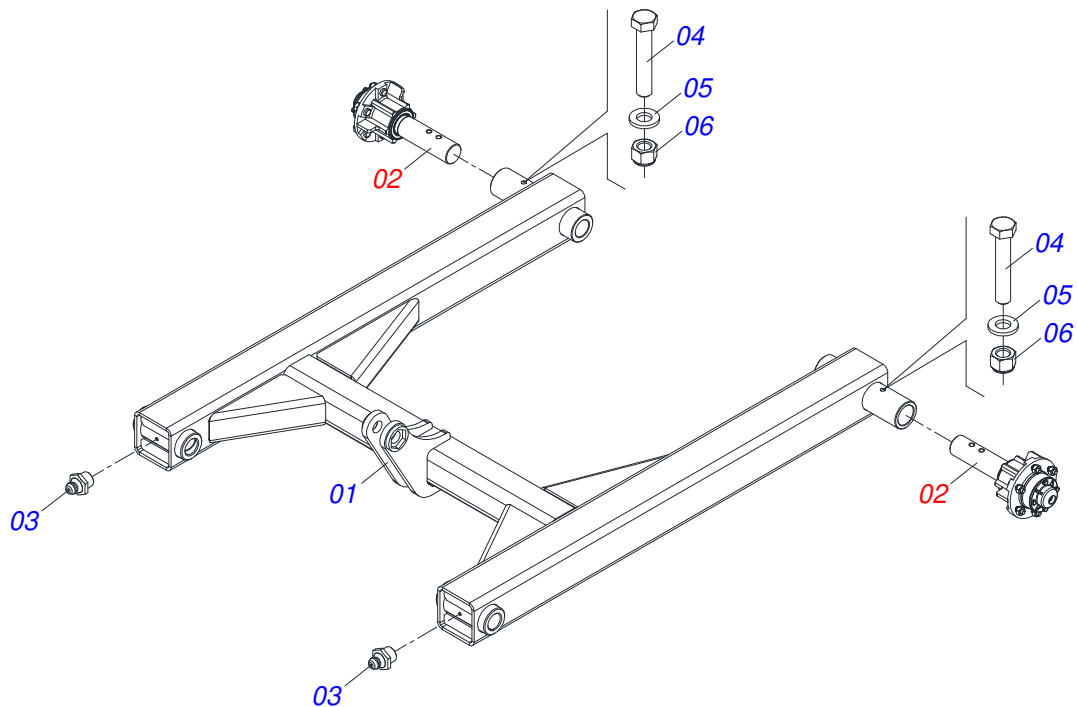
Item	Code	Description	See page	QT
01	0541054638	FRAME SEMI-ASSEMBLED		01
01A	0531068933	FRAME		01
01B	0503061649	HITCH TIP 1870100001		01
02	0503038413	CICLUS 3000 DECAL		02
03	0503031428	ATTENTION READ MANUAL DECAL		01
04	0503031827	DAILY LUBRICATION AND RETIGHTENING DECAL		01
05	0503031087	AUTO CONTROL APPROVED DECAL		01
06	0503013229	REFLECTIVE SIDE BAND		07
07	0503034003	61 X 118 SERIAL NUMBER TAG		01
08	0503010001	RIVET 3,2 X 5,5		04
09	0541054642	CARRYING-WHEEL SEMI-ASSEMBLED	2	01
10	0503060181	WHEEL AND TIRE	4	02
11	0531045933	ROLLER ASSY	5	01
12	0541016844	FIXER LOCK		02
13	0501413715	TRANSPORT LOCK		02
14	0541055106	MANUAL CANISTER	8	01
15	0511045677	1.75" X 3.40" X 24.60" X 13" HYDRAULIC CYLINDER	9	01
16	0531045934	1.75" X 4" X 24.40" X 13.30" HYDRAULIC CYLINDER	10	01
17	0531046295	DRAWBAR JACK	11	01
18	0541055104	HOSE SET	12	01
19	0501413747	SPACER WASHER		01
20	0501413744	UPPER FIXING FLANGE		01
21	0501413743	INTERMEDIATE FLANGE		01
22	0521011722	FLAT WASHER		01
23	0521063252	50,85 X 332 AXLE		02
24	0571018948	1.1/4 UNF X 112 BOLT		02
25	0521012538	1.2" X 3.5" COUPLING SHAFT		02
26	0501316941	KEY 2.1/8 AND 2.1/2		01
27	0503010002	1800 GREASE FITTING		03
28	0503030285	HITCH PIN CLIP		02
29	0503010073	3/8" X 3.1/2" SPLIT PIN		02
30	0503010044	SELF LOCKING NUT 1.1/4 UNF G.5 ZN		02



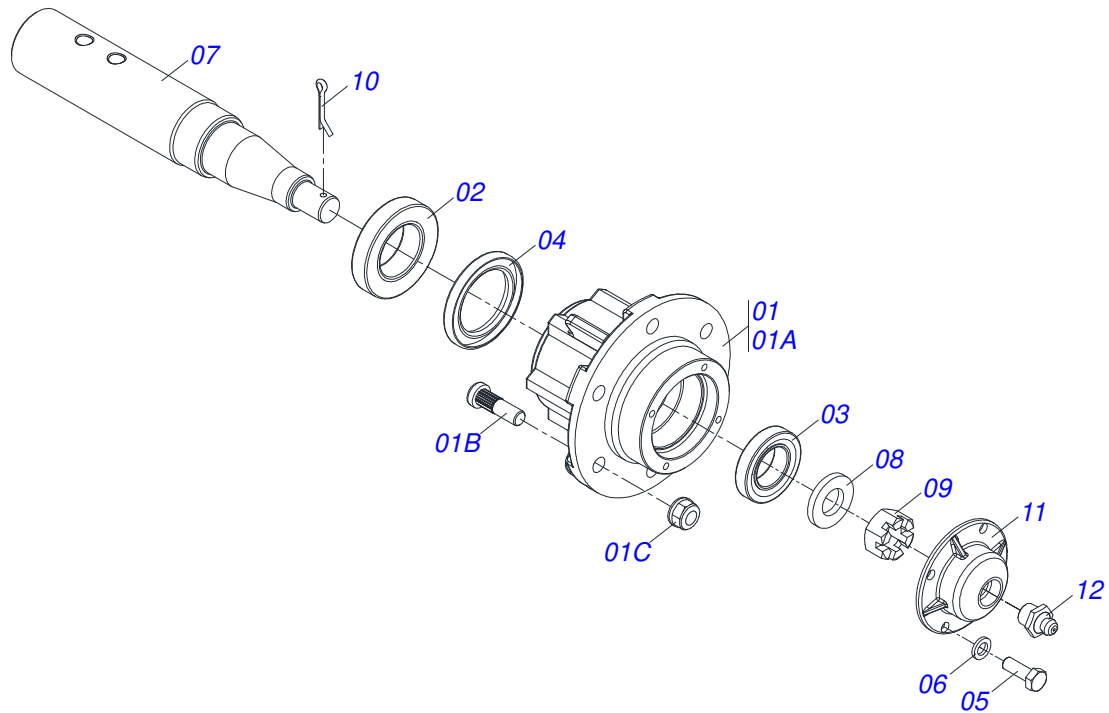
CICLUS 3000
FRAME ASSY

Page 1
0909097323

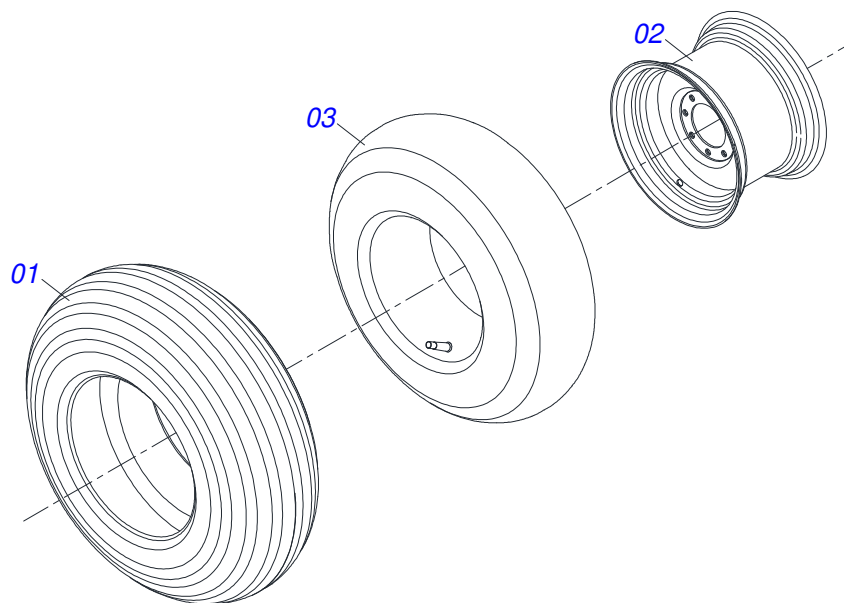
Item	Code	Description	See page	QT
31	0503010523	1/4 X 2 SPLIT PIN		02
32	0501069343	WRENCH FIXER		01
33	0501010276	BOLT		03
34	0503010012	1" SPRING WASHER		03
35	0501053834	MALE QUICK COUPLER	13	02
36	0503030012	HITCH PIN CLIP		01
37	0561014251	COUPLING SHAFT		01



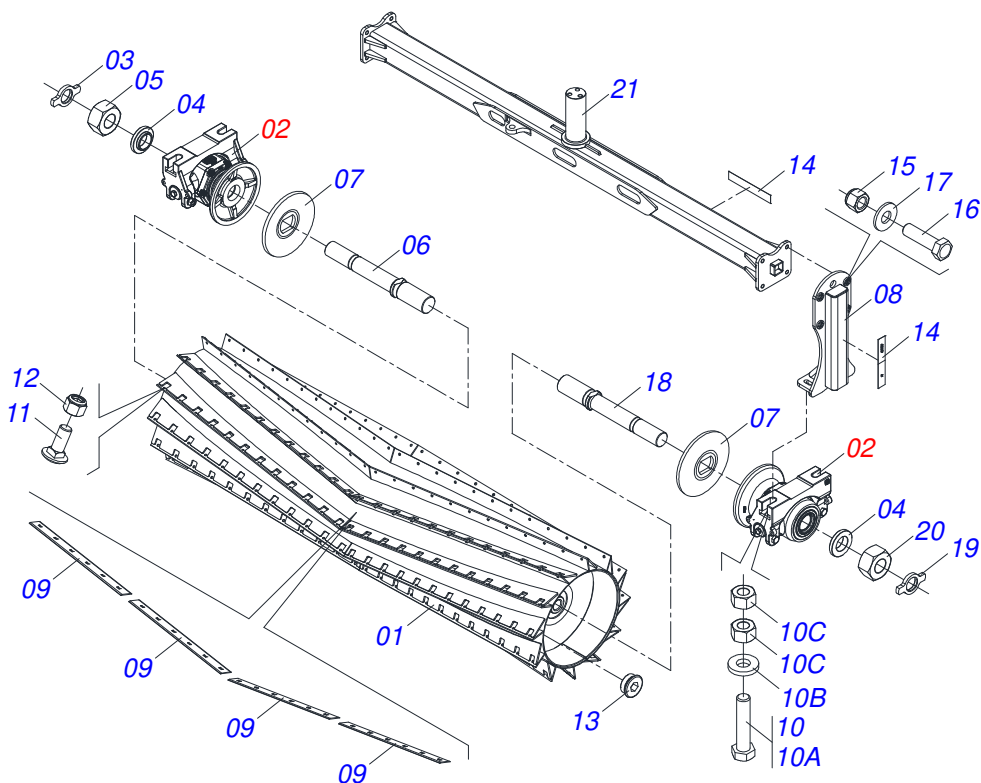
Item	Code	Description	See page	QT
01	0531068949	CARRYING-WHEEL SUPPORT		01
02	0501055907	STUB SHAFT & HUB ASSY	3	02
03	0503010002	1800 GREASE FITTING		02
04	0503010706	BOLT 1/2 UNC X 4.1/2 C S G.5 ZN		02
05	0521014188	FLAT WASHER		02
06	0503010589	1/2" UNC SELF ADJUSTING NUT		02



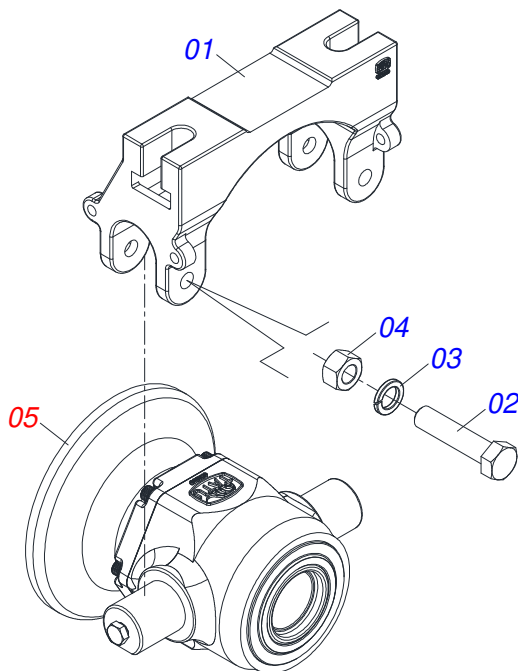
Item	Code	Description	See page	QT
01	0501110728	WHEEL HUB		01
01A	0502011121	CARRYING WHEEL HUB		01
01B	0501010127	9/16" X 1-7/8" LUG BOLT		06
01C	0503010035	9/16" CONIC NUT		06
02	0503012171	32210 ROLLER BEARING		01
03	0503012170	30207 ROLLER BEARING		01
04	0503012928	SEAL		01
05	0503010358	5/16" X 5/8" BOLT		04
06	0503011444	SPRING WASHER 5/16"		04
07	0541015259	63,40 X 366 AXLE		01
08	0501016545	FLAT WASHER		01
09	0503030009	1" CASTLE NUT		01
10	0503010018	5/32" X 1-1/2" SPLIT PIN		01
11	0502020591	PROTECTION LID		01
12	0503010002	1800 GREASE FITTING		01



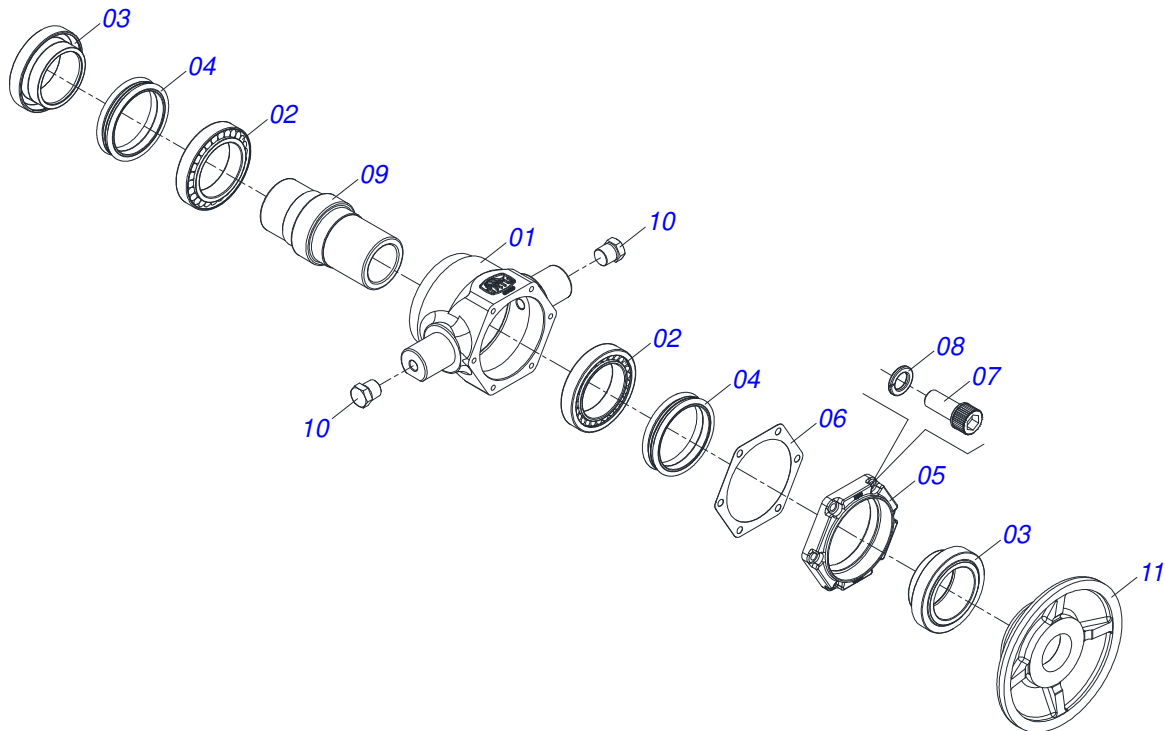
Item	Code	Description	See page	QT
01	0503010858	CANVAS TIRE		01
02	0503011468	WEEL		01
03	0503010860	AIR CHAMBER 11L 15		01



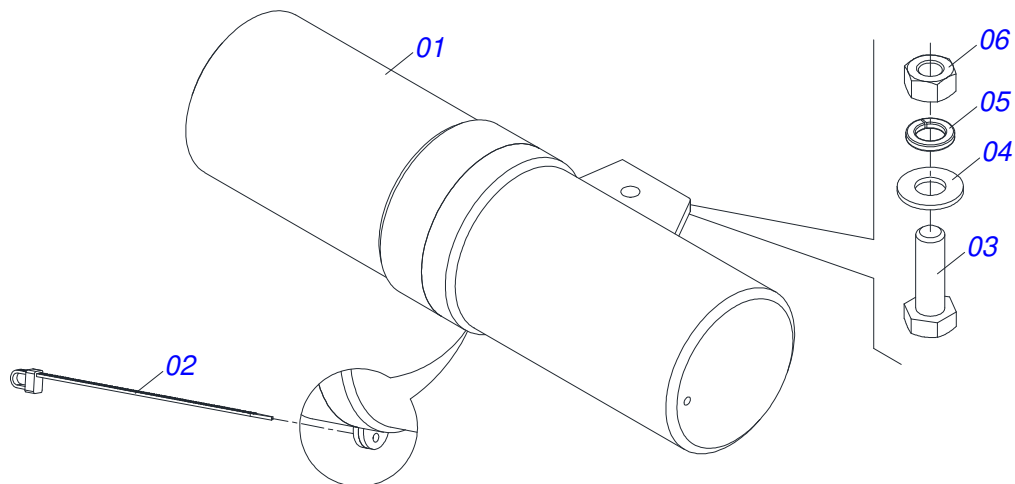
Item	Code	Description	See page	QT
01	0531067390	ROLLER 3000		001
02	0531045502	9.30" X 2.1/8" NATIONAL DMO AGRICULTURAL 6 BEARING WITH PROTECTION		002
03	0551012908	RIGHT LOCKNUT R 2-1/8"		001
04	0501316661	FLAT WASHER 55		002
05	0591016676	NUT R.2.1/8 UNS 7FPP X 53 ZN		001
06	0501316660	AXIS 2.1/8 X 470 RIGHT-HAND THREAD		001
07	0501316659	BUSHING THRUST WASHER		002
08	0531067382	SUPPORT		002
09	0501316658	760 KNIFE		048
10	0521047558	7/8" X 4" BOLT ASSY		004
10A	0503013310	7/8 UNC X 4 C S G.5 ZN BOLT		001
10B	0561013107	FLAT WASHER		001
10C	0503010417	7/8" NUT		002
11	0503014734	BOLT		288
12	0503010589	1/2" UNC SELF ADJUSTING NUT		288
13	0503063970	THREADED PLUG 1.5/16 UNF		002
14	0503013229	REFLECTIVE SIDE BAND		004
15	0503010152	3/4" SELF LOCKING NUT		008
16	0503017855	BOLT 3/4" UNF 2.3/4 CS G.5 ZN		008
17	0501010104	FLAT WASHER 45 X 20 X 4		008
18	0501318641	2.1/8 X 470 AXIS		001
19	0551012909	LEFT LOCKNUT R 2-1/8"		001
20	0501318646	R.2.1/8 UNS 7FPP X 53 SA NUT		001
21	0531068929	ROLLER FIXING SUPPORT		001



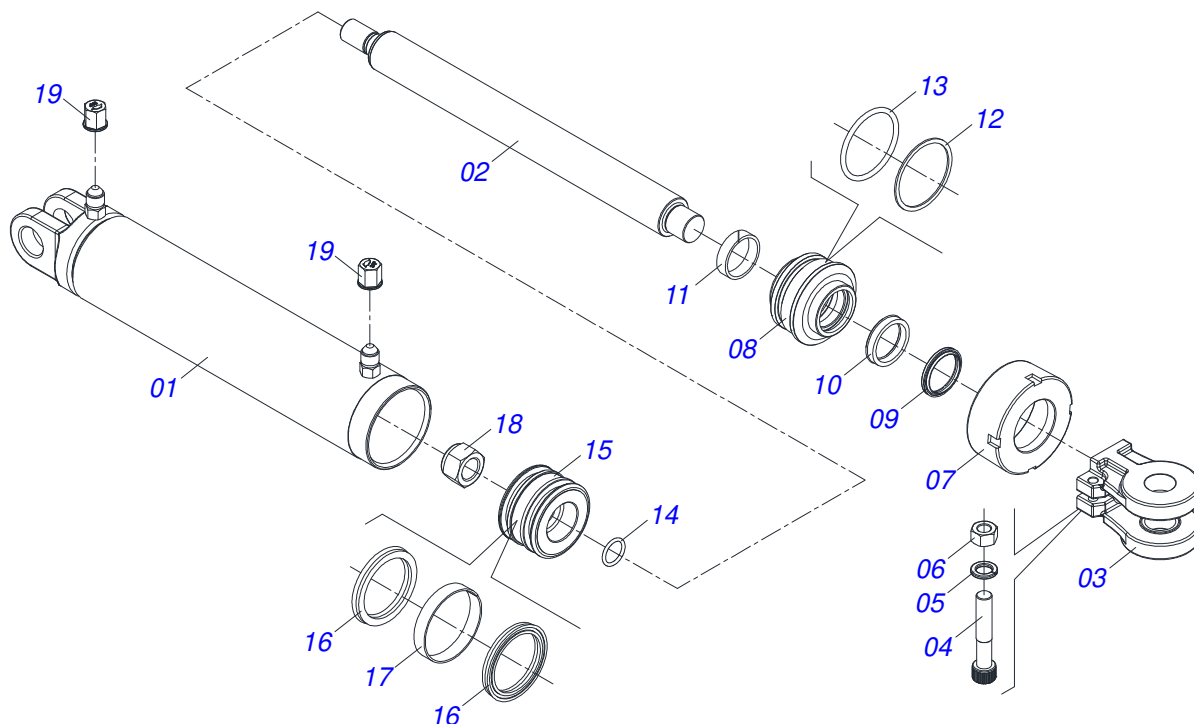
Item	Code	Description	See page	QT
01	0502012860	BEARING SUPPORT		01
02	0501011543	5/8" X 4" BOLT		02
03	0503010027	5/8 SPRING WASHER		02
04	0503010013	5/8 UNC G.5 ZN HEX NUT		02
05	0541052534	9.30" X 2.1/8" NATIONAL DMO AGRICULTURAL 7 BEARING		01



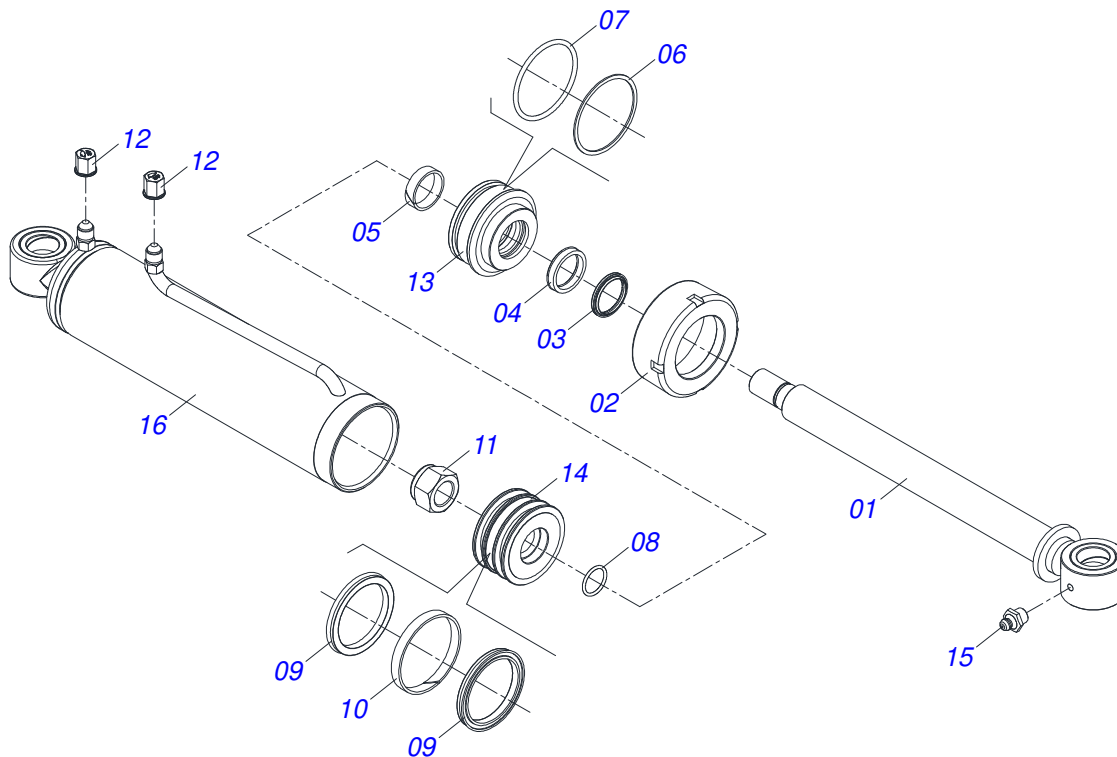
Item	Code	Description	See page	QT
01	0502012859	BEARING BOX		01
02	0503013966	ROLLER BEARING		02
03	0502040198	SEAL RETAINER		02
04	0503030028	JB-257 SEAL		02
05	0502012481	BOX COVER		01
06	0503032999	JOINT		01
07	0503010175	3/8" X 1-1/4" BOLT		06
08	0503011443	SPRING WASHER 3/8"		06
09	0501316674	(201) BEARING AXIS		01
10	0503010856	OIL PLUG R 3/8 BSPT		02
11	0581012051	EXTERNAL DISC		01



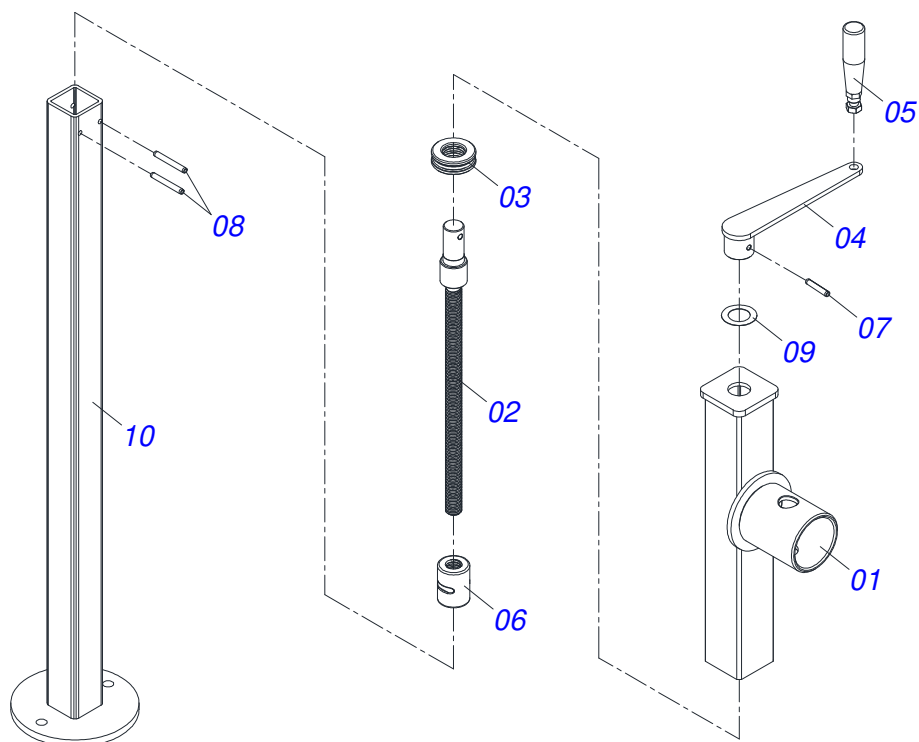
Item	Code	Description	See page	QT
01	0503060100	SUPPORT INSTRUCTION MANUAL		01
02	0503010267	NYLON CLAMP 3,60 X 1,3 X 155 MM		01
03	0503010363	BOLT 5/16 UNC X 1 C S G.2 ZN		01
04	0501010694	FLAT WASHER 8,50 X 18 X 1,50 ZN		01
05	0503010179	LOCK WASHER 5/16 ZN 1K01528		01
06	0503010337	NUT 5/16 UNC G.5 ZN		01



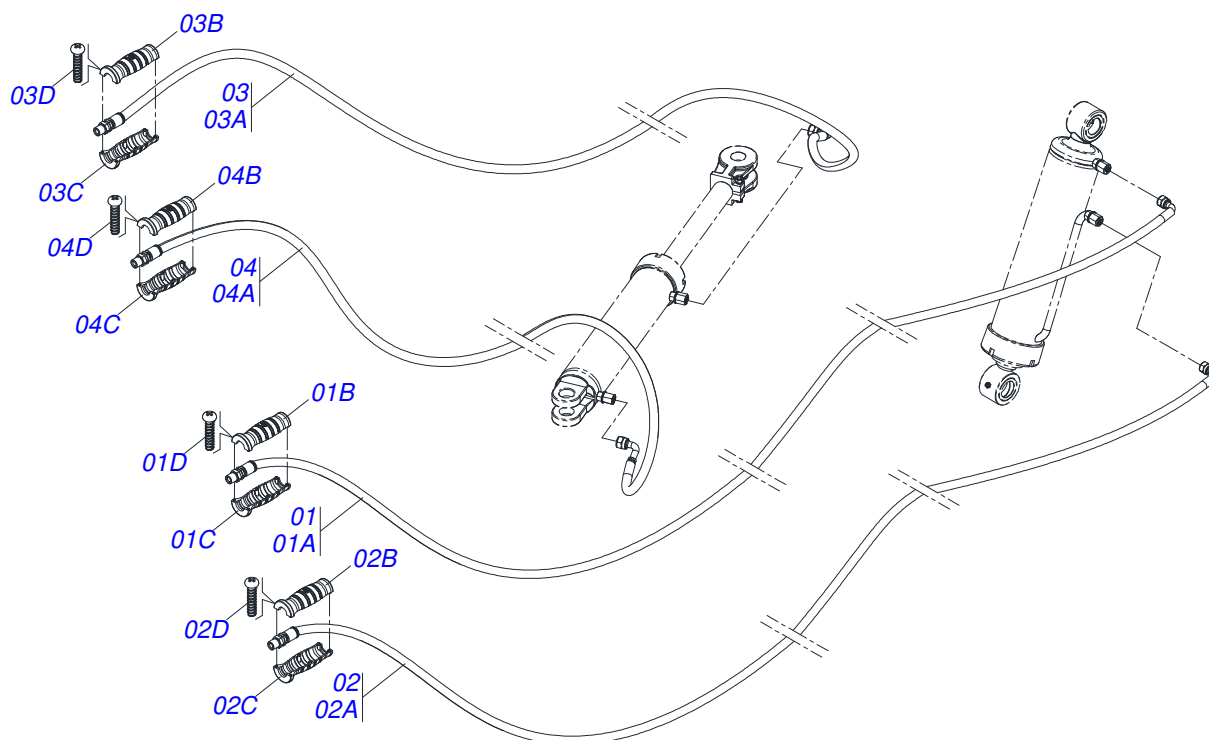
Item	Code	Description	See page	QT
01	0511068352	CYLINDER BARREL		01
02	0521010827	HYDRAULIC CYLINDER TURNBUCKLE		01
03	0502040747	32.54 CLEVIS CLAMP		01
04	0503011094	BOLT 3/8" UNC X 2" C C S I 12.9		01
05	0503010025	3/8" SPRING WASHER		01
06	0503010026	3/8" NUT		01
07	0502010993	MOBILE LID		01
08	0502010781	RING SUPPORT		01
09	0503010761	D-1750 SCRAPER RING		01
10	0503010990	GASKET		01
11	0503010949	W2-2000-500 PK RING G.E		01
12	0503011060	8-336 BACK-UP RING		01
13	0503010976	2-336 N 3006-9B O'RING		01
14	0503010042	2-214 N 3006-9B O'RING		01
15	0502010843	1.8" X 3.4" PISTON		01
16	0503010170	PACKING 3120 2750		02
17	0503010948	W4-3346-590 PK RING G.E		01
18	0503010063	1" SELF-ALIGNING NUT		01
19	0503030385	CYLINDER PLUG N-002		02



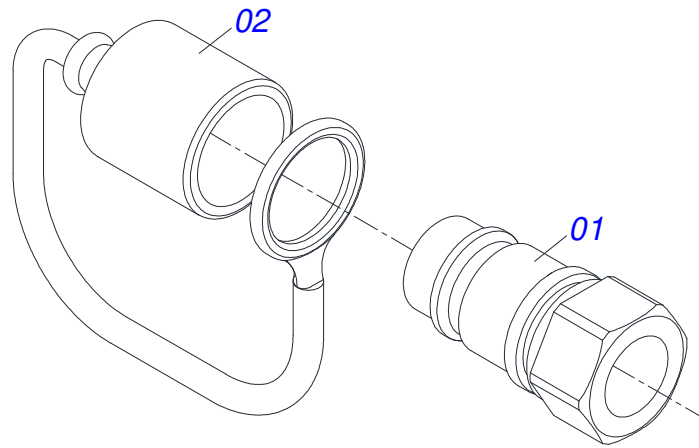
Item	Code	Description	See page	QT
01	0531068936	PISTON ROD		01
02	0502010017	4" LID		01
03	0503010761	D-1750 SCRAPER RING		01
04	0503010990	GASKET		01
05	0503010949	W2-2000-500 PK RING G.E		01
06	0503011061	8-342 BACK-UP RING		01
07	0503010338	2-342 N 3006-9B O'RING		01
08	0503010345	2-218 N 3006-9B O'RING		01
09	0503010043	PACKING 3750-3250		02
10	0503010994	W2-4000-500 PK RING G.E		01
11	0503010817	1.1/4" SELF LOCKING NUT		01
12	0503030385	CYLINDER PLUG N-002		02
13	0571015239	RING SUPPORT		01
14	0571015240	PISTON		01
15	0503010002	1800 GREASE FITTING		02
16	0531068934	CYLINDER BARREL		01



Item	Code	Description	See page	QT
01	0521061080	OUTER BODY DRAWBAR JACK		01
02	0521061082	JACK SPINDLE		01
03	0503013092	51305 BEARING		01
04	0521061081	HANDLE		01
05	0503011312	ROTATIVE CABLE		01
06	0502012604	ADJUSTMENT BUSHING		01
07	0503010561	SPRING PIN		01
08	0503010775	SPRING PIN		02
09	0521015818	FLAT WASHER		01
10	0531069389	DRAWBAR JACK INTERNAL BODY		01



Item	Code	Description	See page	QT
01	0521052614	3/8" X 283.50" TC-TM BLACK/RED HOSE		01
01A	0501080640	3/8" X 283.50" TC-TM HOSE		01
01B	0503034495	HYDRAULIC HOSE GRIP (RED)		01
01C	0503034492	HYDRAULIC HOSE GRIP (BLACK)		01
01D	0503018952	PH 2,5 X 10 ZB PLASTIC BOLT		06
02	0521052615	3/8" X 283.50" TC-TM BLACK/BLUE HOSE		01
02A	0501080640	3/8" X 283.50" TC-TM HOSE		01
02B	0503034494	HYDRAULIC HOSE GRIP (BLUE)		01
02C	0503034492	HYDRAULIC HOSE GRIP (BLACK)		01
02D	0503018952	PH 2,5 X 10 ZB PLASTIC BOLT		06
03	0541055085	3/8" X 185" TC-TM GRAY/BLUE HOSE		01
03A	0501080780	3/8" X 185" TC-TM HOSE		01
03B	0503034494	HYDRAULIC HOSE GRIP (BLUE)		01
03C	0503034489	HYDRAULIC HOSE GAUNTLET (GRAY)		01
03D	0503018952	PH 2,5 X 10 ZB PLASTIC BOLT		06
04	0541055086	3/8" X 185" TC-TM GRAY/RED HOSE		01
04A	0501080780	3/8" X 185" TC-TM HOSE		01
04B	0503034495	HYDRAULIC HOSE GRIP (RED)		01
04C	0503034489	HYDRAULIC HOSE GAUNTLET (GRAY)		01
04D	0503018952	PH 2,5 X 10 ZB PLASTIC BOLT		06



Item	Code	Description	See page	QT
01	0503011627	MALE QUICK COUPLER AGR 1/2 NPT		01
02	0503011882	MALE QUICK COUPLER CAP		01



MARCHESAN

Technical Publications | Elaboration and Revision

LEONARDO JOSÉ DA SILVA SOUZA

www.marchesan.com.br

