

AUXILIARY PRODUCTS

PLANER ACCESSORIES - PAC/LDA/SAB/GRF
ACESSORIOS PARA PLAINAS - PAC/LDA/SAB/GRF

Code: 0501093939
Series: S-0424
Revision: 00
Revision Date: APRIL/2024

PARTS CATALOGUE



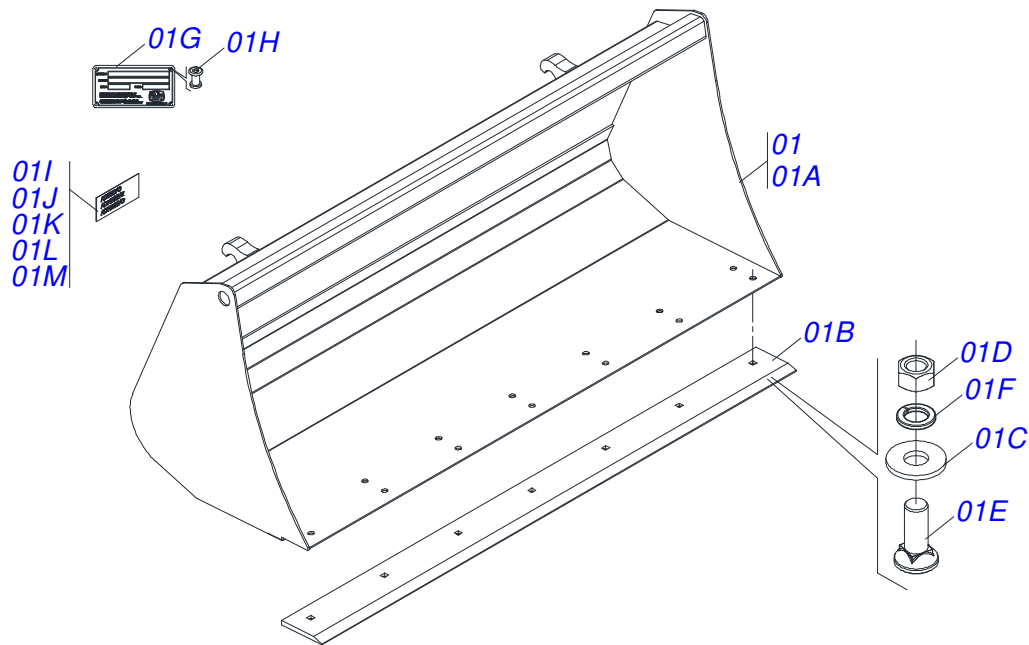
MARCHESAN



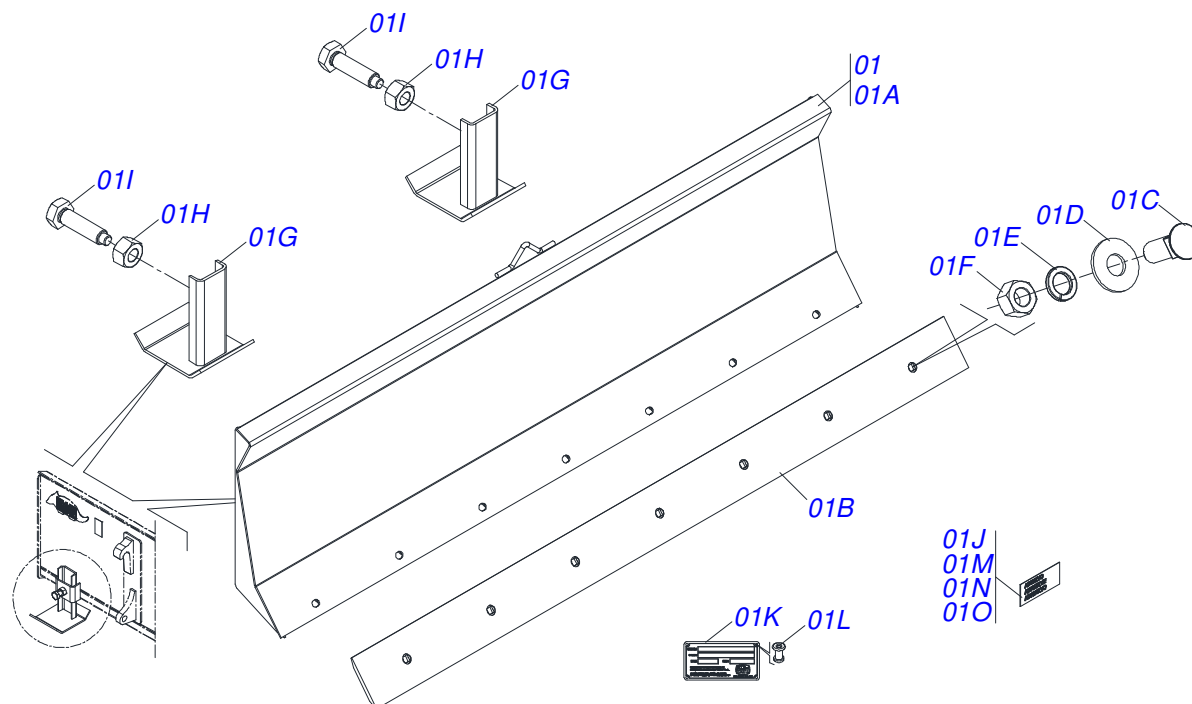
MARCHESAN

INDEX

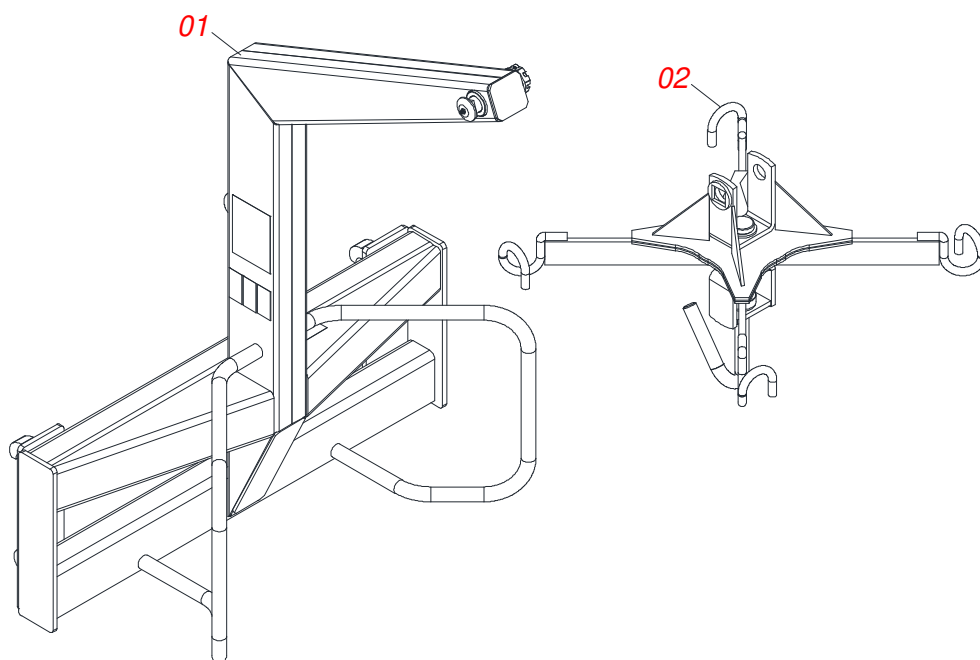
0531045481	PAC 1600 CPL - PCA 3000 P	1
0531045726	LDA 2200 CPL - PCA 3000 P	2
0531045727	ASSY SAB - PCA 3000 P	3
0541054137	MOUNTED SUBSET SAB - PCA 3000	4
0511058531	CROSSPIECE	5
0531045744	COMPLETE GRF WITH DFE	6
0541053843	SEMI COMPLETE GRF	7
0511058444	HYDRAULIC CYLINDER	8
0521021932	BOX WITH COMPONENTS	9
0511057831	CABLE M/PLUS PARKER	10
0511057830	CABLE ELECTRIC (TRACTOR)	11
0511031912	PACKED PARTS	12
0501053835	FEMALE QUICK COUPLER	13



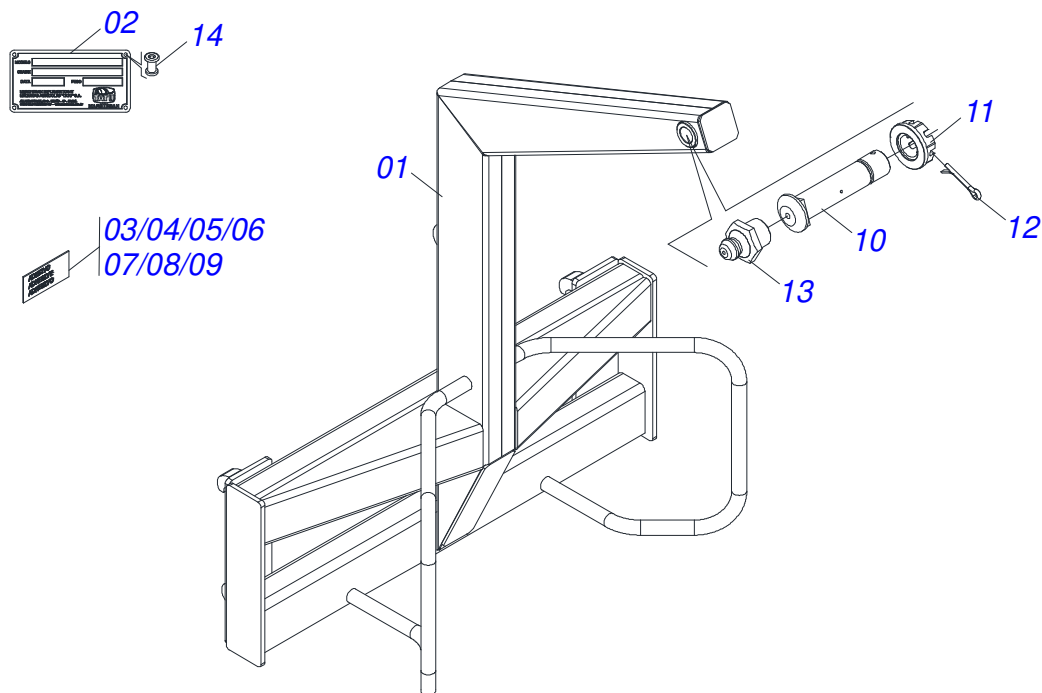
Item	Code	Description	See page	QT
01	0541054134	1600 BUCKET		01
01A	0531067135	PAC 1600		01
01B	0501315733	1600 BUCKET SCRAPER		01
01C	0511017302	FLAT WASHER 13,50 X 32,50 X 3,0 ZN		07
01D	0503012682	1/2" BSW NUT		07
01E	0503012956	1/2" X 1-1/2" BOLT		07
01F	0503011440	SPRING WASHER		07
01G	0503034003	61 X 118 SERIAL NUMBER TAG		01
01H	0503010001	RIVET 3,2 X 5,5		04
01I	0503031087	AUTO CONTROL APPROVED DECAL		01
01J	0503033429	ADHESIVE LABEL		01
01K	0503034078	LIFTING POINTS DECAL		02
01L	0503036237	SAFETY REMOVE SHELL IN MOTION DECAL		01
01M	0503036240	SAFETY DO NOT CLIMB ON THE RAISED SHELL DECAL		01



Item	Code	Description	See page	QT
01	0541054135	LDA 2200		01
01A	0531068644	FRONT BLADE 2200		01
01B	0531019518	SCRAPER 2220 X 6 X 1/2		01
01C	0501012239	5/8" X 1.3/4" BOLT		07
01D	0571010265	16,50 X 40 X 3,00 ZN FLAT WASHER		07
01E	0503010027	5/8 SPRING WASHER		07
01F	0503010013	5/8 UNC G.5 ZN HEX NUT		07
01G	0531065135	STABILIZER SUPPORT		02
01H	0503010014	3/4" ZN G.5 (HEAVY) UNC HEX NUT		02
01I	0501018246	3/4" X 3" BOLT		02
01J	0503036241	SAFETY CAUTION SHOCK HAZARD DECAL		01
01K	0503034003	61 X 118 SERIAL NUMBER TAG		01
01L	0503010001	RIVET 3,2 X 5,5		04
01M	0503033429	ADHESIVE LABEL		01
01N	0503031087	AUTO CONTROL APPROVED DECAL		01
01O	0503034078	LIFTING POINTS DECAL		01

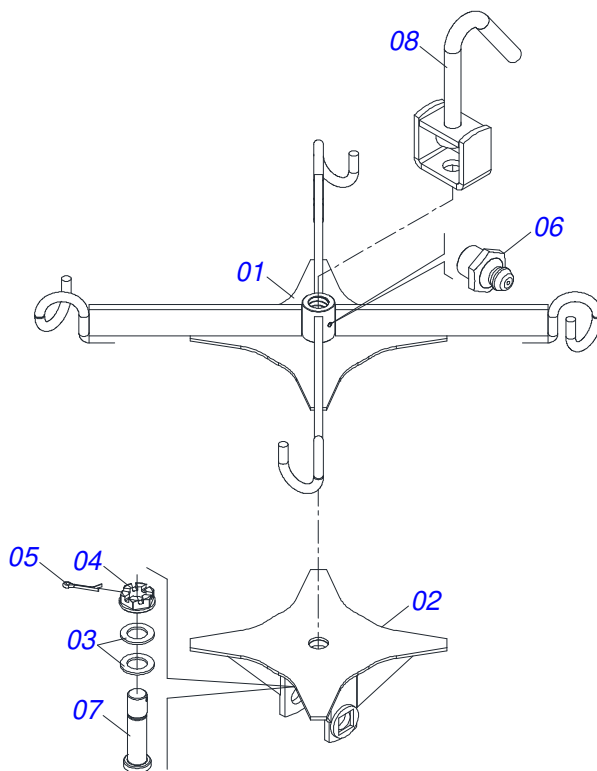


Item	Code	Description	See page	QT
01	0541054137	MOUNTED SUBSET SAB - PCA 3000	4	01
02	0511058531	CROSSPIECE	5	01

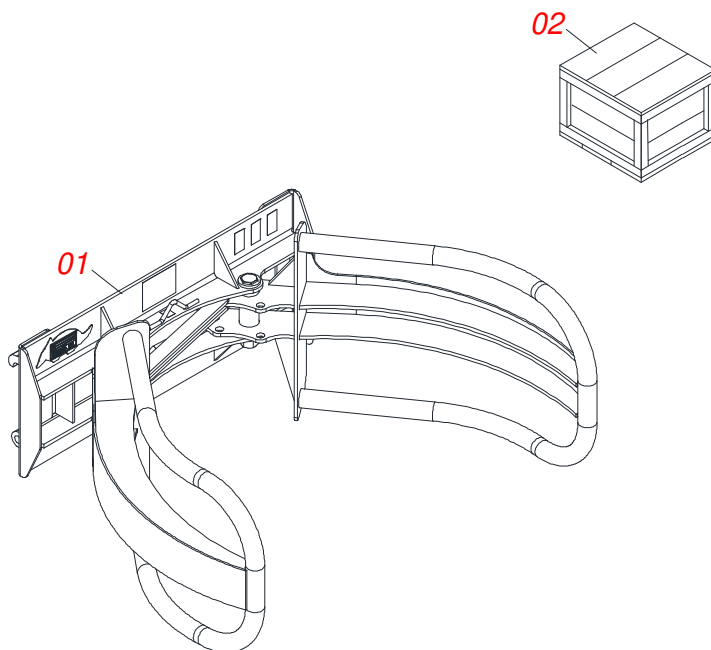


Item	Code	Description	See page	QT
01	0531068645	FIXING SUPPORT		01
02	0503034003	61 X 118 SERIAL NUMBER TAG		01
03	0503034078	LIFTING POINTS DECAL		01
04	0503031087	AUTO CONTROL APPROVED DECAL		01
05	0503033428	TATU LOGO DECAL		02
06	0503032536	ADHESIVE LABEL		01
07	0503036275	ADHESIVE LABEL SAFETY CAUTION MOVING PARTS		01
08	0503036241	SAFETY CAUTION SHOCK HAZARD DECAL		01
09	0503036276	ADHESIVE LABEL SAFETY CAUTION TIPPING PARTS		01
10	0521012828	1.5" X 6.8" PIVOT SHAFT		01
11	0501011301	1.1/2" UNC 6FPP 2.5/16" NUT		01
12	0503010010	SPLIT PIN 1/4" X 2.1/2"		01
13	0503010002	1800 GREASE FITTING		01
14	0503010001	RIVET 3,2 X 5,5		04

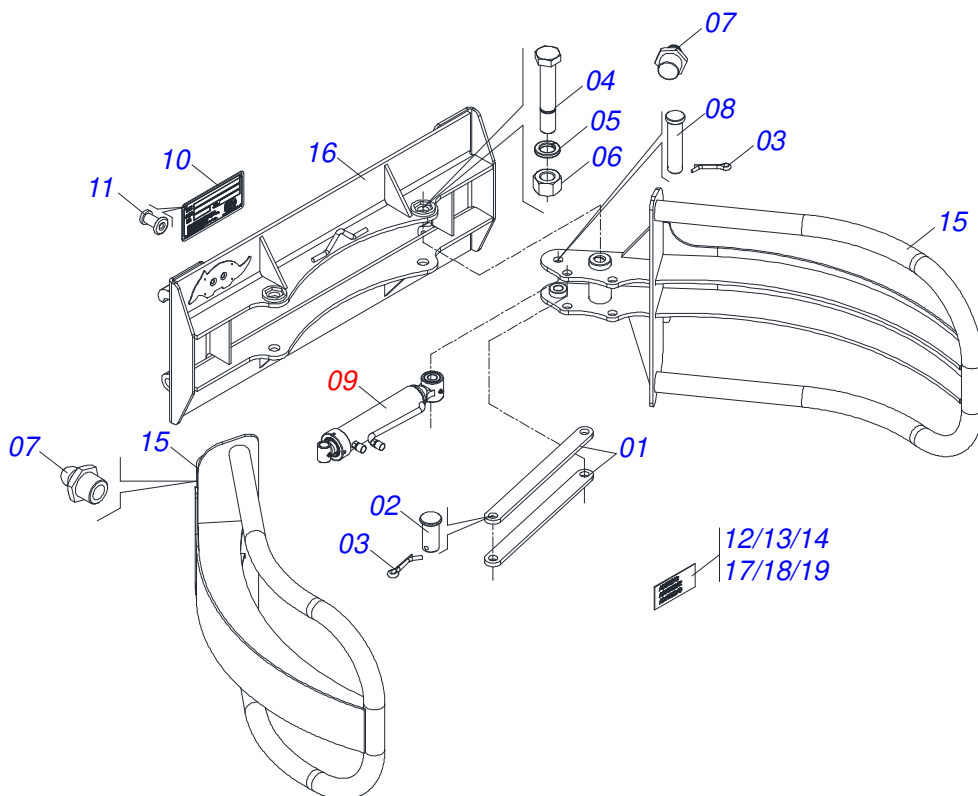
CROSSPIECE



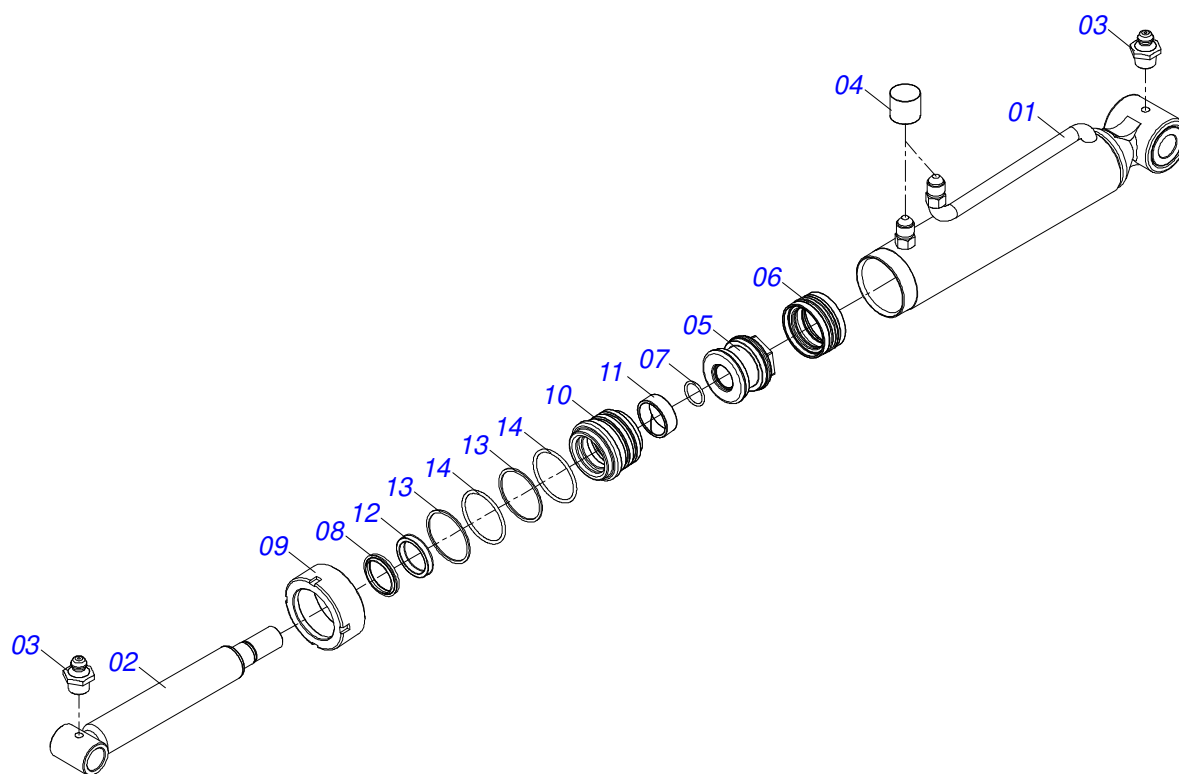
Item	Code	Description	See page	QT
01	0521060235	CROSSPIECE		01
02	0521060317	U COUPLING FOR CROSSPIECE		01
03	0501012916	FLAT WASHER 40 X 66 X 4,75 ZN		02
04	0501011301	1.1/2" UNC 6FPP 2.5/16" NUT		01
05	0503010010	SPLIT PIN 1/4" X 2.1/2"		01
06	0503010002	1800 GREASE FITTING		01
07	0581011022	COUPLING SHAFT		01
08	0521066708	HOOK HITCH		01



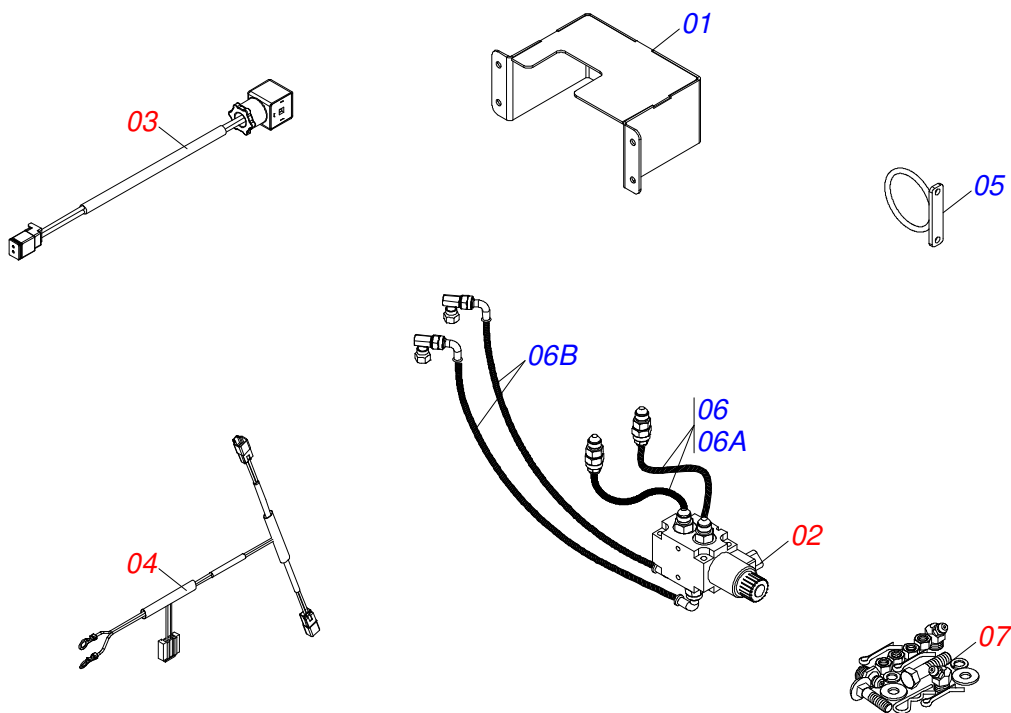
Item	Code	Description	See page	QT
01	0541053843	SEMI COMPLETE GRF	7	01
02	0521021932	BOX WITH COMPONENTS	9	01



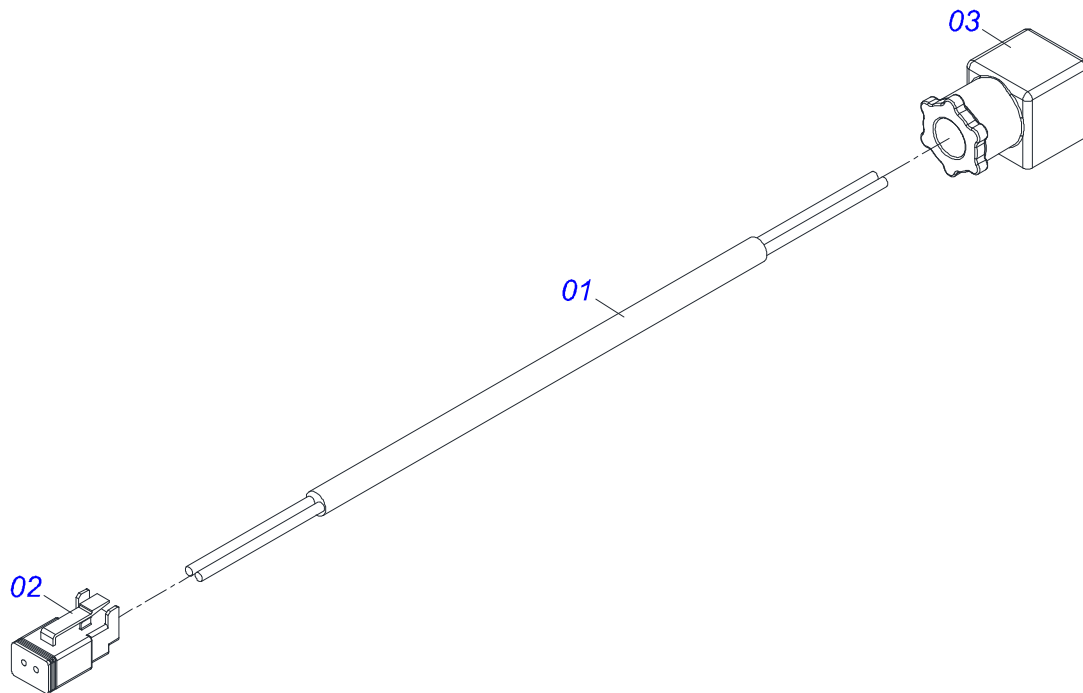
Item	Code	Description	See page	QT
01	0581014651	COPY BAR		02
02	0581016526	COUPLING SHAFT		02
03	0503010571	1/4" X 1.1/2" SPLIT PIN		04
04	0501014174	1-1/4" X 9.5" BOLT		02
05	0503010070	SPRING WASHER		02
06	0501010087	1.1/4" NUT		02
07	0503010002	1800 GREASE FITTING		02
08	0581016527	JUNCTION AXIS 25 X 142		02
09	0511058444	HYDRAULIC CYLINDER	8	01
10	0503034003	61 X 118 SERIAL NUMBER TAG		01
11	0503010001	RIVET 3,2 X 5,5		04
12	0503036275	ADHESIVE LABEL SAFETY CAUTION MOVING PARTS		01
13	0503036276	ADHESIVE LABEL SAFETY CAUTION TIPPING PARTS		01
14	0503036241	SAFETY CAUTION SHOCK HAZARD DECAL		01
15	0531067613	CLAW 1500		02
16	0531068351	FRAME FASTENING CLAWS		01
17	0503034727	ADHESIVE LABEL		01
18	0503034078	LIFTING POINTS DECAL		01
19	0503031087	AUTO CONTROL APPROVED DECAL		01



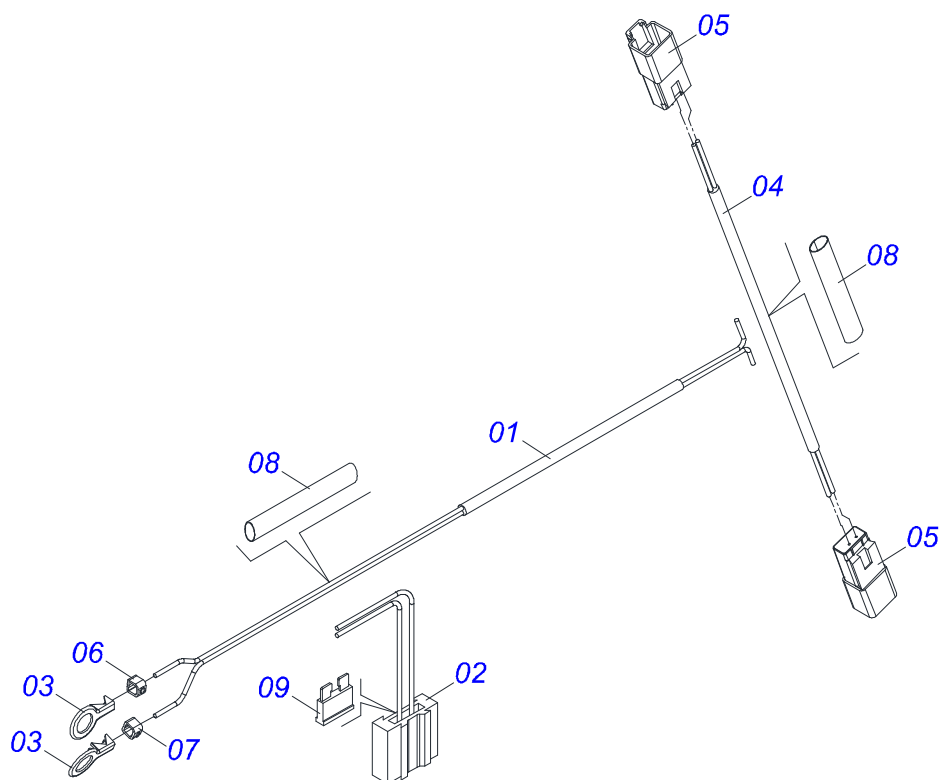
Item	Code	Description	See page	QT
01	0511066155	2.5" X 12.9" CYLINDER CASE		01
02	0521066631	TURNBUCKLE		01
03	0503010002	1800 GREASE FITTING		02
04	0503030385	CYLINDER PLUG N-002		02
05	0502012837	PISTON		01
06	0503018005	RING		01
07	0503011109	O'RING 2-119 N 3006 9B		01
08	0503010163	D-1500 SCRAPER RING		01
09	0502010471	63,50 MOBILE CAP		01
10	0581010668	RING SUPPORT		01
11	0503018004	RING		01
12	0503018003	GASKET		01
13	0503018163	BACK-UP RING		02
14	0503018162	O'RING		02



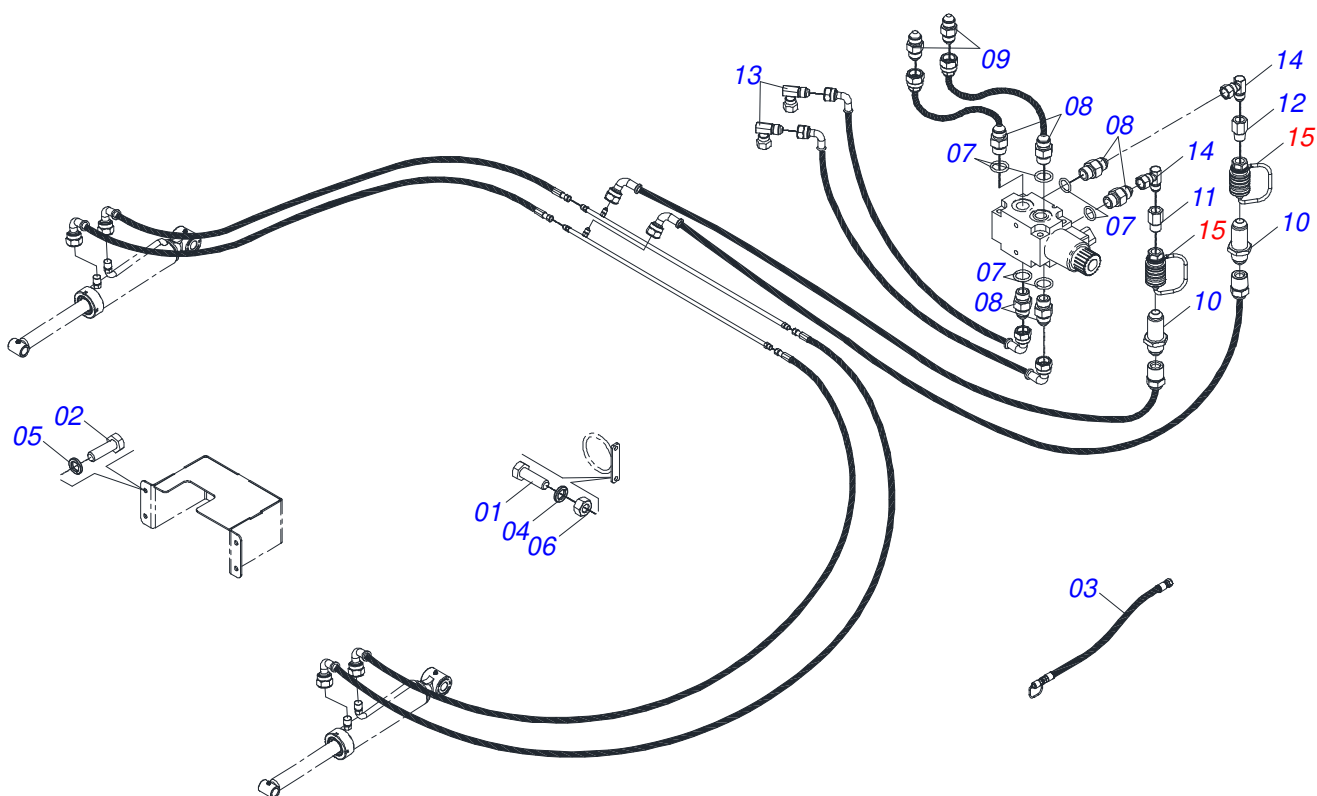
Item	Code	Description	See page	QT
01	0521066429	PROTETION COVER		01
02	0503017808	ELECTRIC FLOW DEVIER		01
03	0511057831	CABLE M/PLUS PARKER	10	01
04	0511057830	CABLE ELECTRIC (TRACTOR)	11	01
05	0521066428	HOSE GUIDE		01
06	0521050889	HOSE KIT		01
06A	0501080105	3/8 X 700 TR-TR HOSE		02
06B	0501081282	MANGUERA 3/8" X 1550 TC-TC		02
07	0511031912	PACKED PARTS	12	01



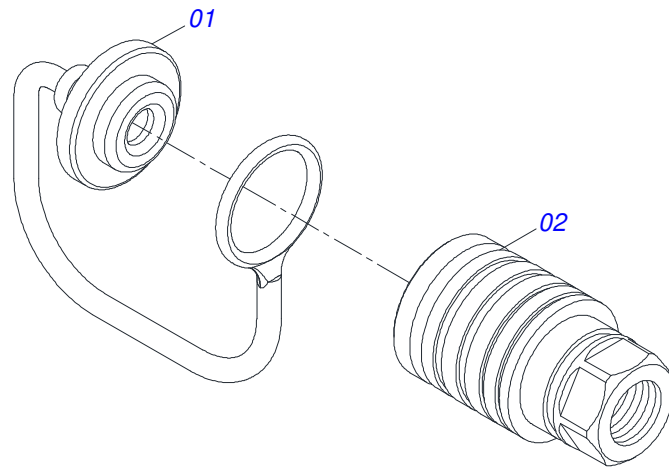
Item	Code	Description	See page	QT
01	0581010080	CABLE		01
02	0503018016	CONECTOR		01
03	0503013566	PARKER PLUG		01



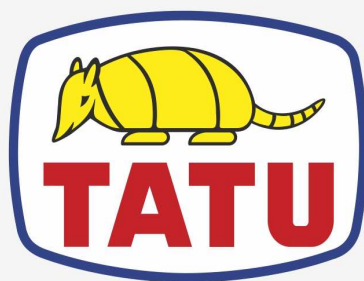
Item	Code	Description	See page	QT
01	0581010077	CABLE		01
02	0503016455	SUPPORT FUSE		01
03	0503014591	RING CONNECTOR		02
04	0581010078	CABLE		01
05	0503018017	CONECTOR		02
06	0503013576	RING IDENTIFICATION		01
07	0503013577	RING IDENTIFICATION		01
08	0581010079	TUBE		02
09	0503018021	FUSE		01



Item	Code	Description	See page	QT
01	0503010371	5/16" X 1" BOLT		02
02	0503013849	1/4" UNC X 3/4" BOLT		04
03	0503018141	FLEXIBLE HOSE 7 OIL FILTER ASSY		02
04	0503010179	LOCK WASHER 5/16 ZN 1K01528		02
05	0503010143	1/4" SPRING WASHER		06
06	0503010337	NUT 5/16 UNC G.5 ZN		02
07	0503010190	2-114 N 3006-9B O'RING		06
08	0501010617	NIPPLE 3/4" NF X 3/4" NF HEX. 7/8" X 44		06
09	0571018714	3/4" X 3/4" UNF NIPPLE UNION (HEXAGONAL 7/8 X 50)		02
10	0541012166	NIPPLE 3/4" UNF X 7/8"		02
11	0581010084	JIC ADAPTER		02
12	0503033685	ADAPTER 3/4 X 7/8		02
13	0503018033	37 X R.7/8 UNF 90° JIC MALE CONNECTOR WITH ROTATING NUT		02
14	0503018034	HYDRAULIC FITTING JIC 37 X R.3/4 UNF		04
15	0501053835	FEMALE QUICK COUPLER	13	02



Item	Code	Description	See page	QT
01	0503011883	PLASTIC COVER		01
02	0503011628	FEMALE QUICK COUPLER		01



MARCHESAN

Technical Publications | Elaboration and Revision

ALESSANDRA PATRICIA KAWAHARA CARRILI

www.marchesan.com.br

