

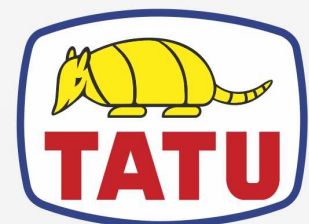
MOUNTED SPRAYER

PEK 600
PEK 600

Code: 0501093920
Series: S-0424
Revision: 00
Revision Date: JULY/2024

PARTS

CATALOGUE



MARCHESAN



PRODUCTS

Code	Working Width	Description
0119040011		PEK 600 S-0424

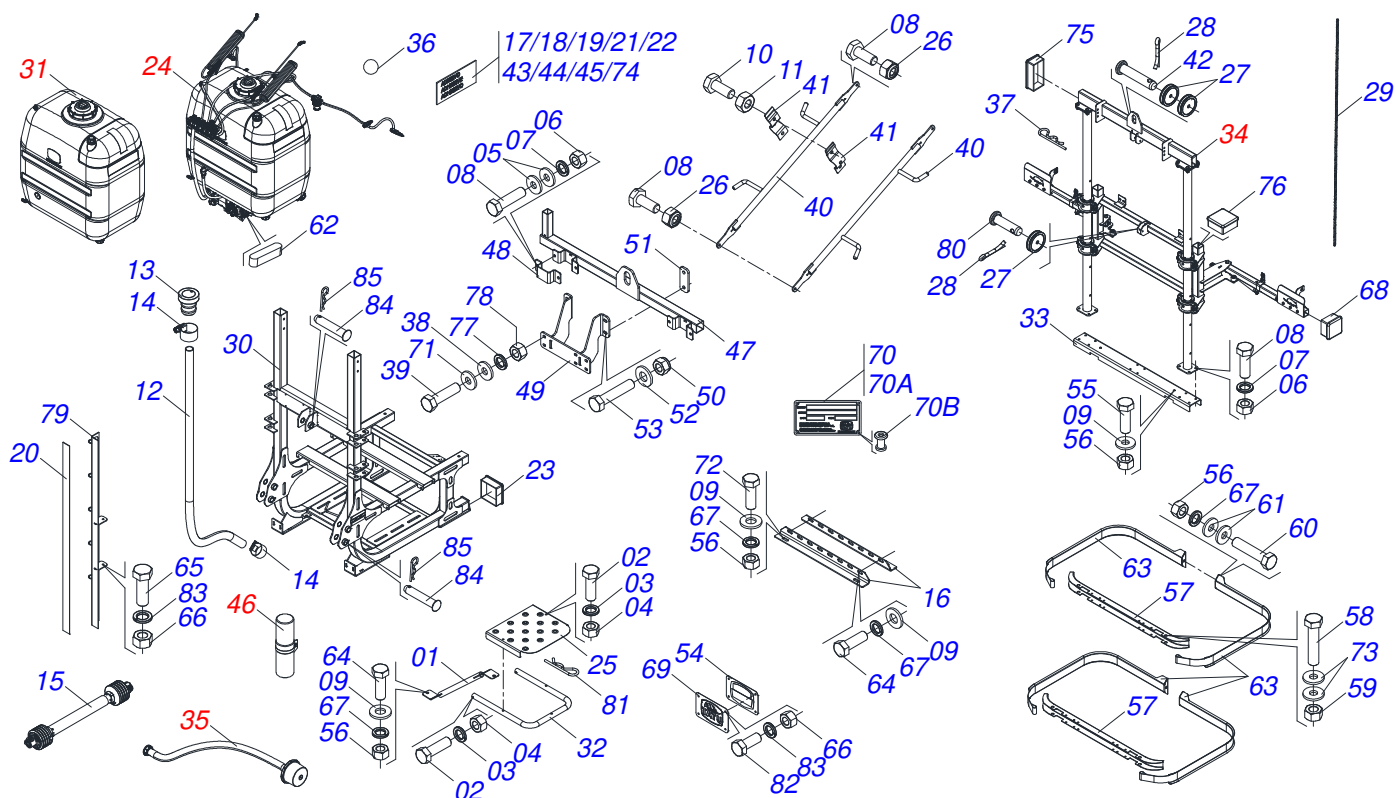
ATTENTION: IMPORTANT

Marchesan S.A. reserves the right to improve and/or modify the technical features of its products, without obligation to do the same with those products already sold and without prior knowledge of the dealer or the customer. The photos are only illustrative.



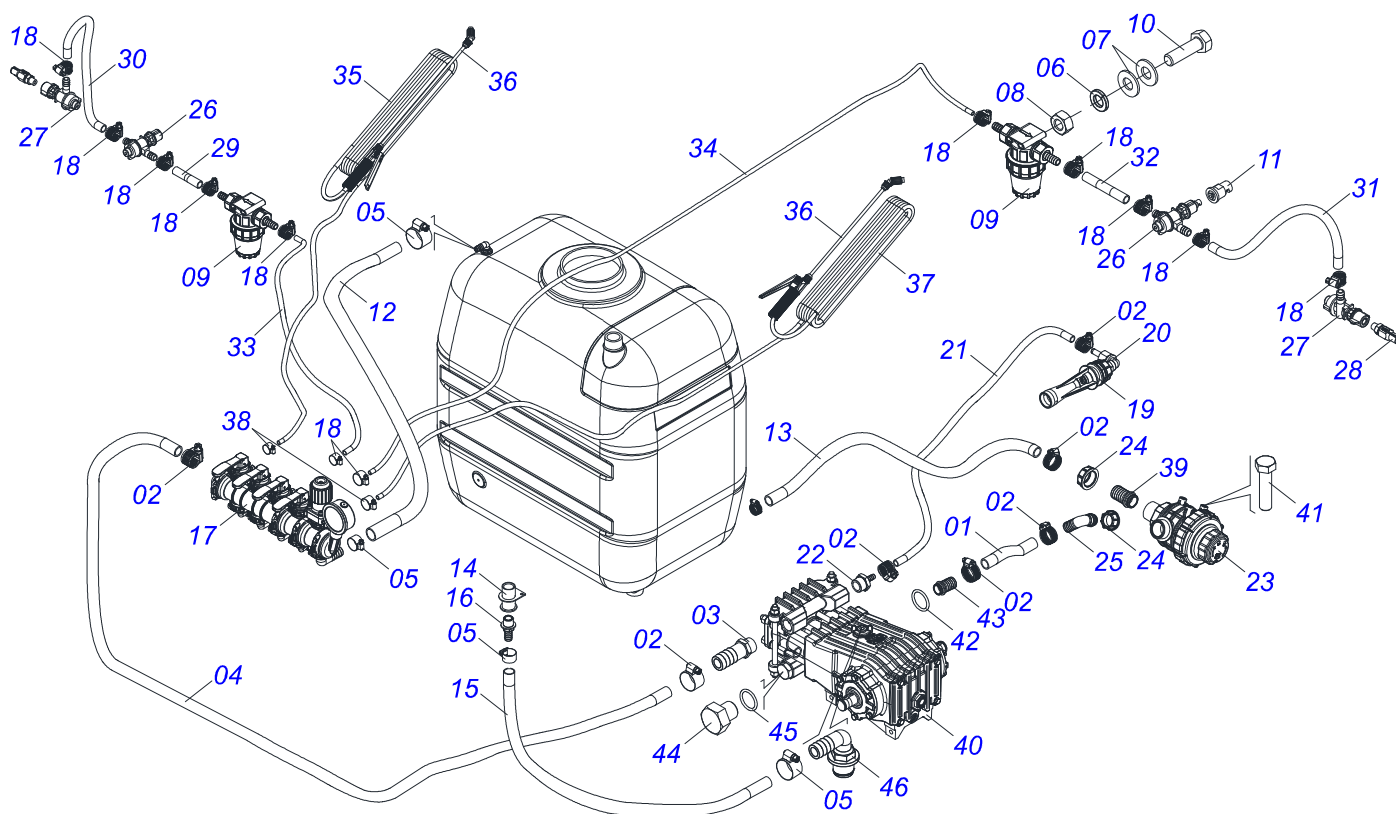
INDEX

0531045860	PEK600	1
0541054320	SPRAYING KIT PEK 600	2
0541054495	COMPLETE 600 LTS TANK	3
0541054494	TOWER SYSTEM	4
0541054493	MAST TOWER ASSEMBLY	5
0541053057	SUPPORT	6
0541054477	HOSE SET 1.1/2 X 5000 SUCTION	7
0541054513	MANUAL STORAGE TUBE ASSY	8



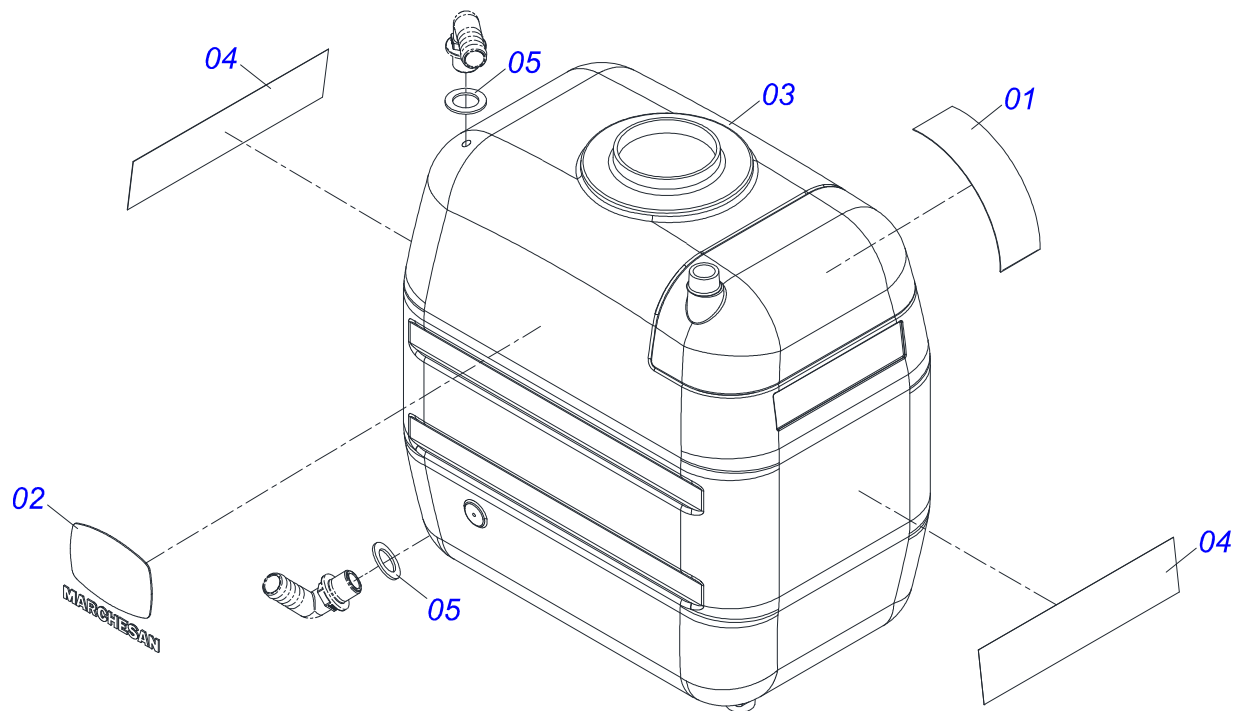
Item	Code	Description	See page	QT
01	0531067347	PLATFORM LOCK		01
02	0503011429	M 8 X 1,25 X 40 BOLT		05
03	0503014371	M8 SPRING WASHER		05
04	0503010427	METRIC M8 X P.0.5" NUT		05
05	0501010984	10,50 X 27 X 3,00 FLAT WASHER		08
06	0503011051	M10 X 0.6" NUT		12
07	0503015075	M10 SPRING WASHER		12
08	0503010188	M10 X 1,5 X 30 BOLT		16
09	0501010937	13,50 X 28 X 3,00 FLAT WASHER		15
10	0503012386	1/4" X 5/8" BOLT		08
11	0503012118	1/4" INOX NUT		08
12	0501317099	CRYSTAL HOSE 3/4 X 1100MM TANK LEVEL		01
13	0501319598	3/4 LEVEL HOSE VENT		01
14	0503014255	14 X 22 CLAMP		02
15	0503064677	COMPLETE CARDAN WITH PROTECTION		01
16	0501317285	PUMP SUPPORT		02
17	0503036799	SAFETY ADHESIVE LABEL		01
18	0503036800	ADHESIVE LABEL ATTENTION		01
19	0503036801	ADHESIVE LABEL ATTENTION BEFORE OPERATING RETIGHTEN		01
20	0503036802	ADHESIVE LABEL SCALE TANK 600L		01
21	0503036809	REAR TATU ADHESIVE LABEL PEK/FALKI/FUSION 600		01
22	0503031087	AUTO CONTROL APPROVED DECAL		01
23	0513012583	PP INTERNAL TUBE COVER 60 X 60		04
24	0541054320	SPRAYING KIT PEK 600	2	01
25	0531066745	SUPPORT 300 X 300		01
26	0503011841	M10 SELF ADJUSTING NUT		04
27	0501314383	PULLEY		03
28	0503010426	SPLIT PIN 1/16 X 3/4		02
29	0501413268	ROPE 1/4 X 6000MM		01
30	0531068826	SQUARE FRAME PEK/FALKI - 600 V2		01

Item	Code	Description	See page	QT
31	0541054495	COMPLETE 600 LTS TANK	3	01
32	0501413118	PLATFORM TUBE		01
33	0501413281	U-BEAM TOWER SUPPORT		01
34	0541054494	TOWER SYSTEM	4	01
35	0541054477	HOSE SET 1.1/2 X 5000 SUCTION	7	01
36	0513012030	WATER LEVEL BUOY		01
37	0513012658	COTTER PIN 5/16 X 155 ZB		02
38	0501010694	FLAT WASHER 8,50 X 18 X 1,50 ZN		04
39	0503010365	BOLT 5/16 UNC X 1.1/4 C S G.5 ZN		04
40	0531068834	LOCK		02
41	0501317093	SUPPORT		08
42	0501413266	HEAD PIN 8 X 54MM		01
43	0503036804	RIGHT REFLECTIVE TATU ADHESIVE LABEL		01
44	0503036803	LEFT REFLECTIVE TATU ADHESIVE LABEL		01
45	0503036805	MARCHESAN ADHESIVE LABEL		01
46	0541054513	MANUAL STORAGE TUBE ASSY	8	01
47	0531068820	MANUAL COMMAND SUPPORT		01
48	0501316538	ARM FIXATION STRAP		02
49	0531068104	SOLENOID VALVE SUPPORT		01
50	0503013357	3/8 SELF-ADJUSTING NUT		04
51	0501319935	FIXING PLATE		02
52	0501013518	FLAT WASHER 10,50 X 24 X 1,50 ZN		04
53	0503011141	3/8" X 2-3/4" BOLT		04
54	0503037062	DECAL		01
55	0503010706	BOLT 1/2 UNC X 4.1/2 C S G.5 ZN		02
56	0503010060	1/2 UNC G.5 ZN HEX NUT		09
57	0501414328	TANK SUPPORT STRAP		02
58	0501011543	5/8" X 4" BOLT		04
59	0503013389	5/8" SELF LOCKING NUT		04
60	0503013618	BOLT 1/2 UNC X 3.1/2 CSRT G.5 ZN		02
61	0501010937	13,50 X 28 X 3,00 FLAT WASHER		04
62	0513012901	KEY 5/16 X 5/16 X 35 SAE 1045		01
63	0501414329	600 L TANK TIGHTENING STRAP		04
64	0501010161	BOLT 1/2" UNC X 1.1/4" C S G.2 ZN		05
65	0503010282	1/4" X 3/4" BOLT		04
66	0503010144	1/4" NUT		08
67	0503010019	1/2" SPRING WASHER		11
68	0513012031	TUBE COVER 40 X 40		04
69	0503037060	TATU LOGO PLATE		01
70	0521056998	ALUMINUM IDENTIFICATION LABEL WITH RIVET		01
70A	0503034003	61 X 118 SERIAL NUMBER TAG		01
70B	0503010001	RIVET 3,2 X 5,5		04
71	0503012545	FLAT WASHER		04
72	0503010920	1/2 UNC X 1.1/2 C S G.5 ZN BOLT		04
73	0591011409	FLAT WASHER 16,5 X 35 X 3,00		09
74	0503034247	LUBRICATION POINT DECAL		02
75	0513012964	INTERNAL PLASTIC LID 80 X 40		02
76	0513012963	INTERNAL PLASTIC LID 50 X 50		02
77	0503010179	LOCK WASHER 5/16 ZN 1K01528		04
78	0503010337	NUT 5/16 UNC G.5 ZN		04
79	0531069256	600 LEVEL GAUGE SET		01
80	0501414931	HEAD PIN 8 X 42MM		01
81	0503030168	HITCH PIN CLIP		01
82	0503037022	BOLT 1/4 UNC X 5/8 RI CS INOX BLACK		04
83	0503010143	1/4" SPRING WASHER		06
84	0521010582	COUPLING SHAFT		03
85	0503031035	HITCH PIN CLIP		03

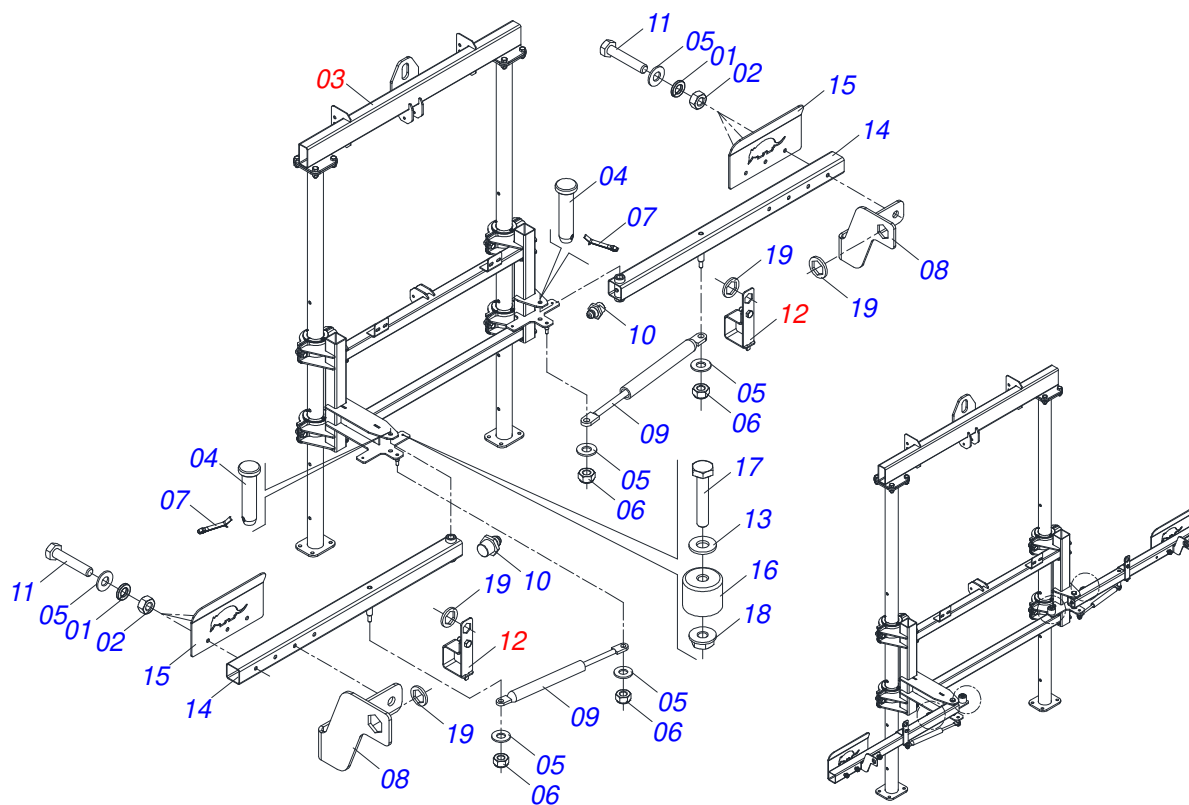


Item	Code	Description	See page	QT
01	0501413205	SPIRAL HOSE 1.1/4 X 600MM SUCTION		01
02	0503019481	HOSE CLAMP		07
03	0501414862	NIPPLE 1 BSPT X SPIKE 1 X 85		01
04	0501410407	HOSE 1 X 2000 PRESSURE AB SANSUY BLACK		01
05	0503014255	14 X 22 CLAMP		04
06	0503014371	M8 SPRING WASHER		07
07	0501010694	FLAT WASHER 8,50 X 18 X 1,50 ZN		08
08	0503010427	METRIC M8 X P.0.5" NUT		04
09	0503064205	3/4 THREAD LINE FILTER		02
10	0503018737	BOLT M8 X 1,25 X 80 GRAU 5.8 - RP ZN		04
11	0513012267	TUBE TIP WITH AIR INDUCTION MJ145		02
12	0501317116	LOCKED HOSE 1 X 500MM COMMAND RETURN		01
13	0501413230	SPIRAL HOSE 1.1/4 X 700 SUCTION		01
14	0531067521	PUMP SUPPLY ASSEMBLY		01
15	0501318010	3/4 CRYSTAL HOSE		01
16	0503019490	STRAIGHT CONNECTION G3/4 M D20		01
17	0503064639	COMMAND		01
18	0503015811	WORM THREAD CLAMP 13-19 9 MM		14
19	0503064430	AGITATOR		01
20	0503018847	INTERNAL THREAD CONNECTOR 1/2 NPT X HOSE NOZZLE 1/2		01
21	0501410421	HOSE 1/2 X 650 AB AB SANSUY BLACK		01
22	0501413206	NIPPLE R1 NPT		01
23	0503064607	SUCTION FILTER M710 R 1.1/4		01
24	0513011450	NUT TYPE CONNECTION G1 1/4		02
25	0513012761	D32 CURVE TYPE CONNECTION NUT G1.1/4 116533.25		01
26	0513012027	NOZZLE HOLDERS		02
27	0513012028	NOZZLE HOLDERS		02
28	0513012268	MJ393 EXTENDED JET NOZZLE		02
29	0501317105	HOSE 1/2 600MM FILTER / INTERMEDIATE NOZZLE		01

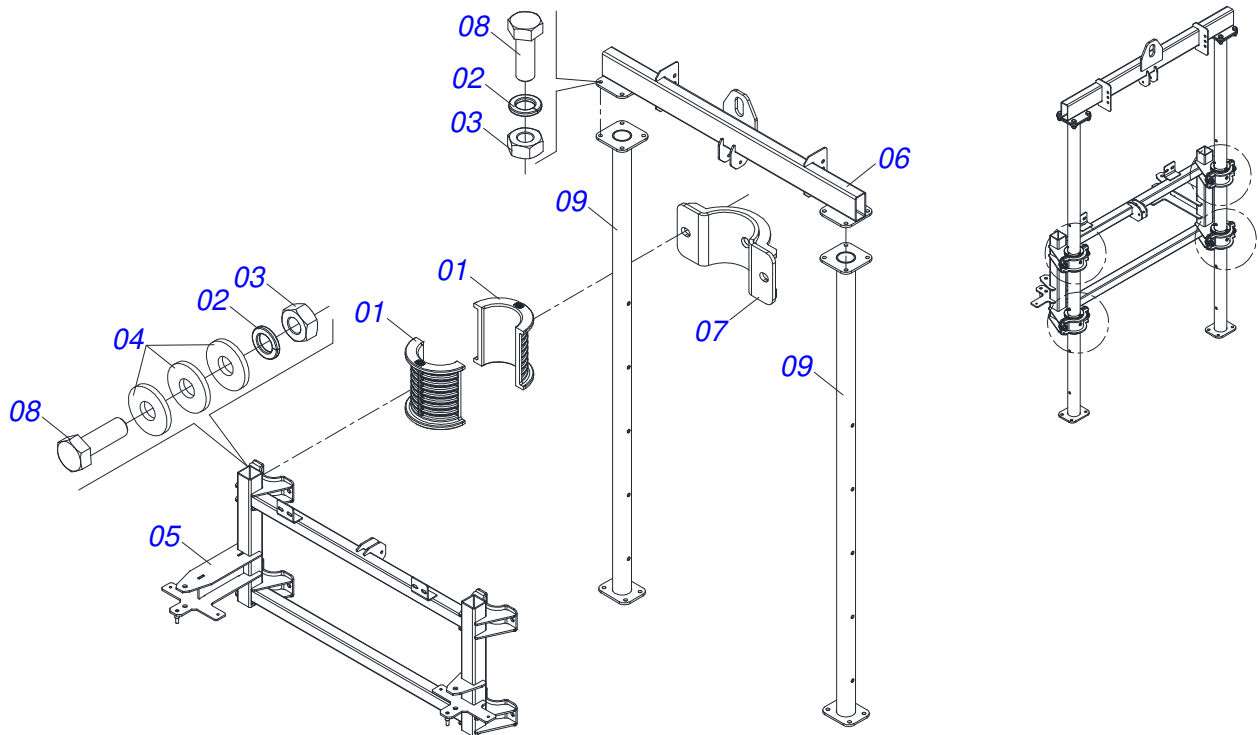
Item	Code	Description	See page	QT
30	0501317104	HOSE 1/2 X 470MM INTERMEDIATE NOZZLE / FINAL NOZZLE		01
31	0501317104	HOSE 1/2 X 470MM INTERMEDIATE NOZZLE / FINAL NOZZLE		01
32	0501317105	HOSE 1/2 600MM FILTER / INTERMEDIATE NOZZLE		01
33	0501317102	HOSE 1/2 X 1800MM CONTROL / FILTER ROW LD		01
34	0501317101	HOSE 1/2 X 1750MM CONTROL / FILTER LE ROW		01
35	0501318013	HOSE 3/8 X 10000		01
36	0513012411	COMPLETE BOOM M800/40 (1)		02
37	0501318013	HOSE 3/8 X 10000		01
38	0513011633	ADJUSTABLE CLAMP 9X13 1544		02
39	0513011449	STRAIGHT CONNECTION D.32 FOR NUT 1 1/4 WITH RING		01
40	0503064648	M75 TATU PUMP ASSEMBLY		01
41	0503015115	M8 X 1,25 X 12 BOLT		03
42	0503019482	RING ORING 2.62 X 26.65X31.89 SP3-G10051		02
43	0501414863	HYDRAULIC NIPPLE 1 BSPT		01
44	0501414865	PLUG 1 BSPT HEX 1.1/2		01
45	0513011459	O-RING 2.62 X 20.24 X 25.48		01
46	0513012033	CURVED CONNECTION 90 THREAD		01



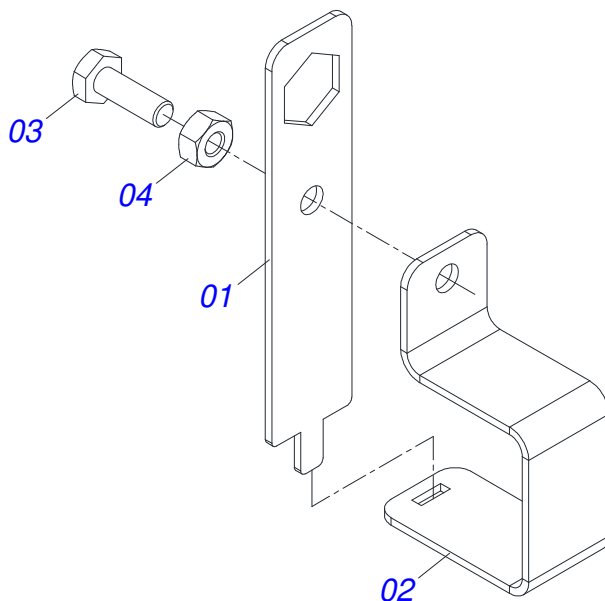
Item	Code	Description	See page	QT
01	0503036806	TANK LID SAFETY ADHESIVE LABEL		01
02	0503036808	FRONT TATU ADHESIVE LABEL		01
03	0503018930	AGRICULTURAL SPRAYER TANK		01
04	0503036807	ADHESIVE LABEL PEK - 600		02
05	0513012659	FLAT JOINT 21.0 X 33.0 X 2.0		02



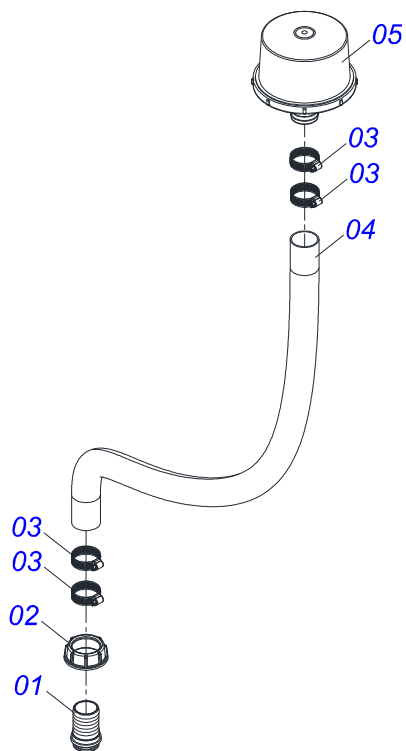
Item	Code	Description	See page	QT
01	0503014371	M8 SPRING WASHER		07
02	0503010427	METRIC M8 X P.0.5" NUT		07
03	0541054493	MAST TOWER ASSEMBLY	5	01
04	0501314413	PIN HEAD 12.7 X 78MM		02
05	0501010694	FLAT WASHER 8,50 X 18 X 1,50 ZN		11
06	0503019913	SELF-LOCKING NUT W/ NYLON M8 X 1.25 C.8 ZN		04
07	0503010257	1/8" X 1" SPLIT PIN		02
08	0501316029	FINAL NOZZLE SUPPORT		02
09	0513012086	GAS SPRING DAMPER		02
10	0503010002	1800 GREASE FITTING		02
11	0503015116	M8 X 1,25 X 60 BOLT		07
12	0541053057	SUPPORT	6	02
13	0511017303	FLAT WASHER		04
14	0531067480	ARTICULATED ARM		02
15	0501314428	FINAL TOE PROTECTOR		02
16	0501414756	NYLON BEATER 30 X 25		04
17	0503010733	1/4" X 1-3/4" BOLT		04
18	0513011171	1/4 NC HEX NUT		04
19	0501414755	WASHER SHIM NOZZLE HOLDER		04



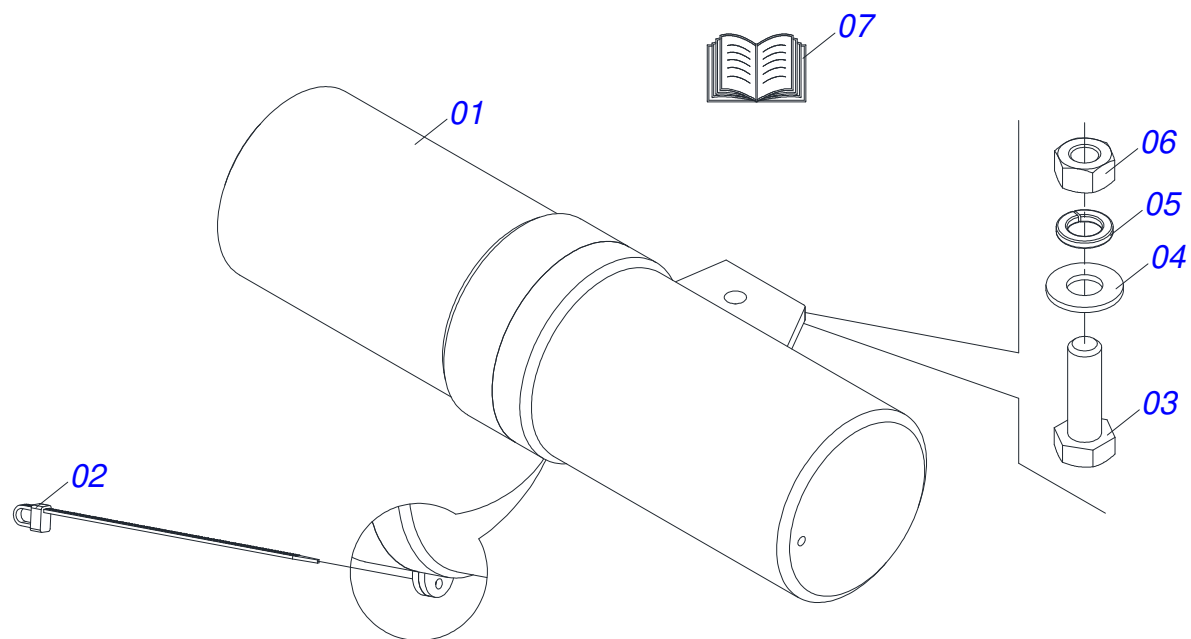
Item	Code	Description	See page	QT
01	0503036575	NYLON BUSH		08
02	0503015075	M10 SPRING WASHER		16
03	0503011051	M10 X 0.6" NUT		16
04	0501010984	10,50 X 27 X 3,00 FLAT WASHER		24
05	0531068801	FRAME		01
06	0531068835	ASSEMBLED TOWER		01
07	0531068827	CLAMP		04
08	0503010188	M10 X 1,5 X 30 BOLT		16
09	0531068639	GALVANIZED ARM		02



Item	Code	Description	See page	QT
01	0501316541	SUPPORT NOZZLE HOLDER		01
02	0501316542	SUPPORT NOZZLE HOLDER		01
03	0503010282	1/4" X 3/4" BOLT		01
04	0503010144	1/4" NUT		01



Item	Code	Description	See page	QT
01	0503019653	(SP3-106638) STRAIGHT CONNECTION		01
02	0503019645	(SP3-2002060) NUT TYPE CONNECTION		01
03	0503019651	(592-SPF-016-027) 1.1/2 HOSE CLAMP		04
04	0501413172	SPIRAL HOSE 1.1/2 X 5000 AB -AB		01
05	0513012045	SUPPLY FILTER 1 1/2 CONNECTION MODE		01



Item	Code	Description	See page	QT
01	0503060100	SUPPORT INSTRUCTION MANUAL		01
02	0503010267	NYLON CLAMP 3,60 X 1,3 X 155 MM		01
03	0503010363	BOLT 5/16 UNC X 1 C S G.2 ZN		01
04	0501010694	FLAT WASHER 8,50 X 18 X 1,50 ZN		01
05	0503010179	LOCK WASHER 5/16 ZN 1K01528		01
06	0503010337	NUT 5/16 UNC G.5 ZN		01
07	0511035033	PLASTIC COVER WITH INSTRUCTIONS MANUAL PEK-600 S-0424		01



ANNOTATION



Lined area for writing annotations, consisting of 25 horizontal lines.





MARCHESAN

Technical Publications | Elaboration and Revision
LUIZ CANDIDO

www.marchesan.com.br

