

HINGE TYPE OFFSET DISK HARROW

GNLCR 25/27/29/33/37D

Code: 0501093907
Series: S-0324
Revision: 00
Revision Date: FEBRUARY/2025

PARTS CATALOGUE



MARCHESAN



PRODUCTS

Code	Working Width	Description
0102140008		GNLCR 25X16X3,5 DR DMO E 1.1/4 S-0324
0102140009		GNLCR 25X16X3,5 MT DMO E 1.1/4 S-0324
0102140010		GNLCR 25X18X3,5 DR DMO E 1.1/4 S-0324
0102140011		GNLCR 25X18X3,5 MT DMO E 1.1/4 S-0324
0102140012		GNLCR 27X16X3,5 DR DMO E 1.1/4 S-0324
0102140013		GNLCR 27X16X3,5 MT DMO E 1.1/4 S-0324
0102140014		GNLCR 27X18X3,5 DR DMO E 1.1/4 S-0324
0102140015		GNLCR 27X18X3,5 DR DMO E 1.1/4 S-0324
0102140016		GNLCR 27X18X3,5 MT DMO E 1.1/4 S-0324
0102140017		GNLCR 27X20X3,5 DR DMO E 1.1/4 S-0324
0102140018		GNLCR 29X16X3,5 MT DMO E 1.1/4 S-0324
0102140019		GNLCR 29X18X3,5 DL DMO E 1.1/4 S-0324
0102140020		GNLCR 29X18X3,5 MT DMO E 1.1/4 S-0324
0102140021		GNLCR 33X16X3,5 MT DMO E 1.1/4 S-0324
0102140022		GNLCR 33X18X3,5 MT DMO E 1.1/4 S-0324
0102140023		GNLCR 33X20X3,5 DR DMO E 1.1/4 S-0324
0102140024		GNLCR 37X16X3,5 MT DMO E 1.1/4 S-0324
0102140025		GNLCR 37X18X3,5 DR DMO E 1.1/4 S-0324
0102140026		GNLCR 37X18X3,5 MT DMO E 1.1/4 S-0324

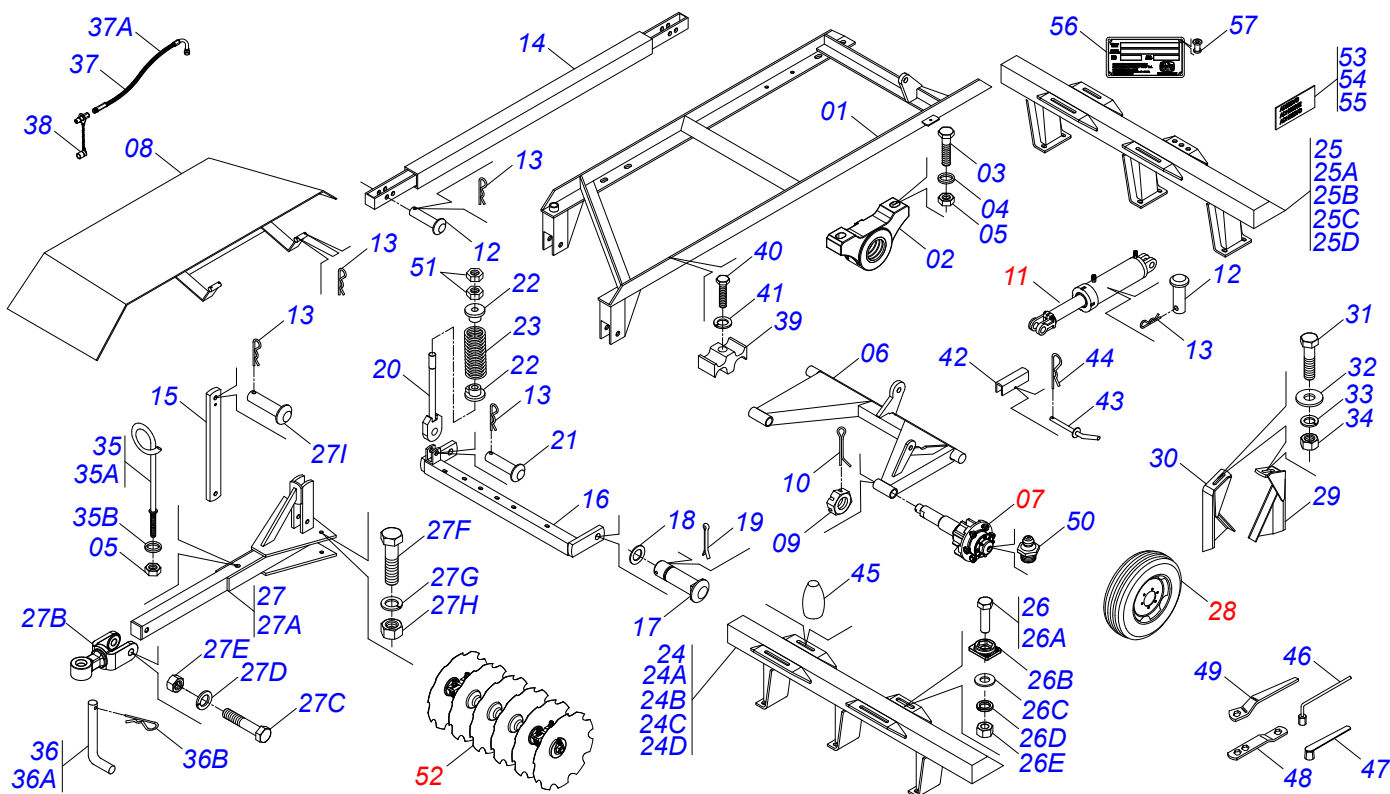
ATTENTION: IMPORTANT

Marchesan S.A. reserves the right to improve and/or modify the technical features of its products, without obligation to do the same with those products already sold and without prior knowledge of the dealer or the customer. The photos are only illustrative.



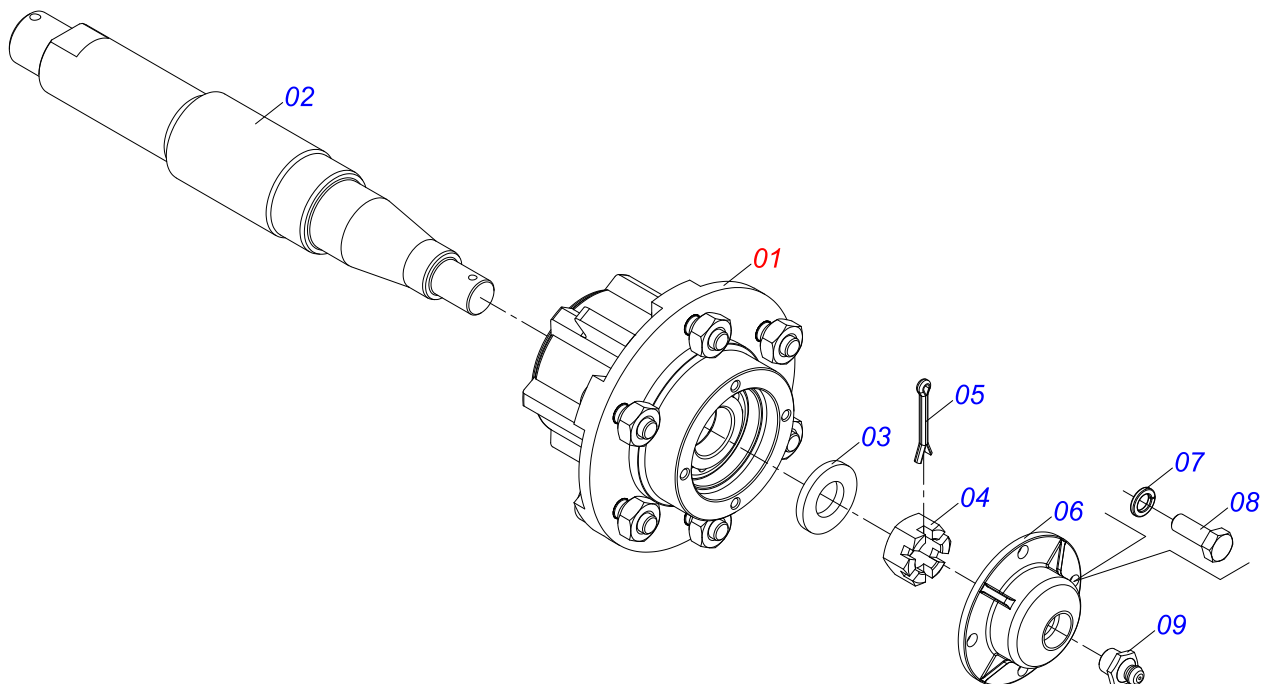
INDEX

0909097440	FRAME 25 - 37	1
0501051634	STUB SHAFT HUB ASSY	2
0501051142	CARRYING WHEEL HUB	3
0511058441	HYDRAULIC CYLINDER 44,45 X 85,70 X 540 X 179	4
0503060094	WHEEL AND TIRE ASSY	5
0909097441	GANG DISC	6
0909097443	GANG DISC	7
0909097444	GANG DISC	8
0521047188	182 X 1.1/4 DMO BEARING W/PROTECTION SUPPORT	9
0521050841	AGRICULTURAL BEARING DMO 182 X 1.1/4	10

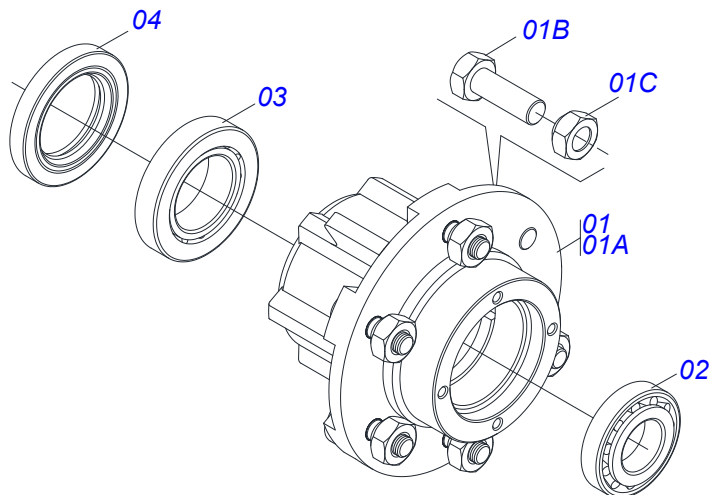


Item	Code	Description	See page	25 27 29 33 37				
				25	27	29	33	37
01	0501065474	CENTER FRAME		01	01	01	01	01
02	0501110856	ARTICULATION BEARING		02	02	02	02	02
03	0503810901	SCREW 3/4 UNC X 3.1/2 C S G.5		04	04	04	04	04
04	0503011442	3/4" SPRING WASHER		04	04	04	04	04
05	0503810014	3/4" NUT		06	06	06	06	06
06	0501065477	WHEEL		01	01	01	01	01
07	0501051634	STUB SHAFT HUB ASSY	2	02	02	02	02	02
08	0501063477	PROTECTION COVER		01	01	01	01	01
09	0501811301	CASTLE NUT		02	02	02	02	02
10	0503010010	1/4" X 2.1/2" SPLIT PIN		02	02	02	02	02
11	0511058441	HYDRAULIC CYLINDER 44,45 X 85,70 X 540 X 179	4	01	01	01	01	01
12	0521810575	COUPLING SHAFT		04	04	04	04	04
13	0503010571	SPLIT PIN 1/4" X 1.1/2"		06	06	06	06	06
14	0501065476	STABILIZER BAR		01	01	01	01	01
15	0511010887	STABILIZER BAR TOWER		01	01	01	01	01
16	0501065471	HITCH BAR		01	01	01	01	01
17	0521817538	COUPLING SHAFT		02	02	02	02	02
18	0501812916	FLAT WASHER		02	02	02	02	02
19	0503010534	3/8" X 2.1/2" SPLIT PIN		02	02	02	02	02
20	0501065133	SPRING ROD 350		01	01	01	01	01
21	0521810592	COUPLING SHAFT		01	01	01	01	01
22	0502020392	SPRING SUPPORT		02	02	02	02	02
23	0503030441	12.7" X 5.7" X 0.5" SPRING		01	01	01	01	01
24	0501063473	FRONT FRAME 2020 LD		01	00	00	00	00
24A	0501067370	83.85" FRONT FRAME		00	01	00	00	00
24B	0501063475	FRONT FRAME		00	00	01	00	00
24C	0501063506	FRONT FRAME		00	00	00	01	00
24D	0501063603	FRONT FRAME		00	00	00	00	01
25	0511060420	REAR FRAME 2190 LD		01	00	00	00	00
25A	0511060421	93" REAR FRAME		00	01	00	00	00
25B	0511060422	100" REAR FRAME		00	00	01	00	00
25C	0511060423	113" REAR FRAME		00	00	00	01	00

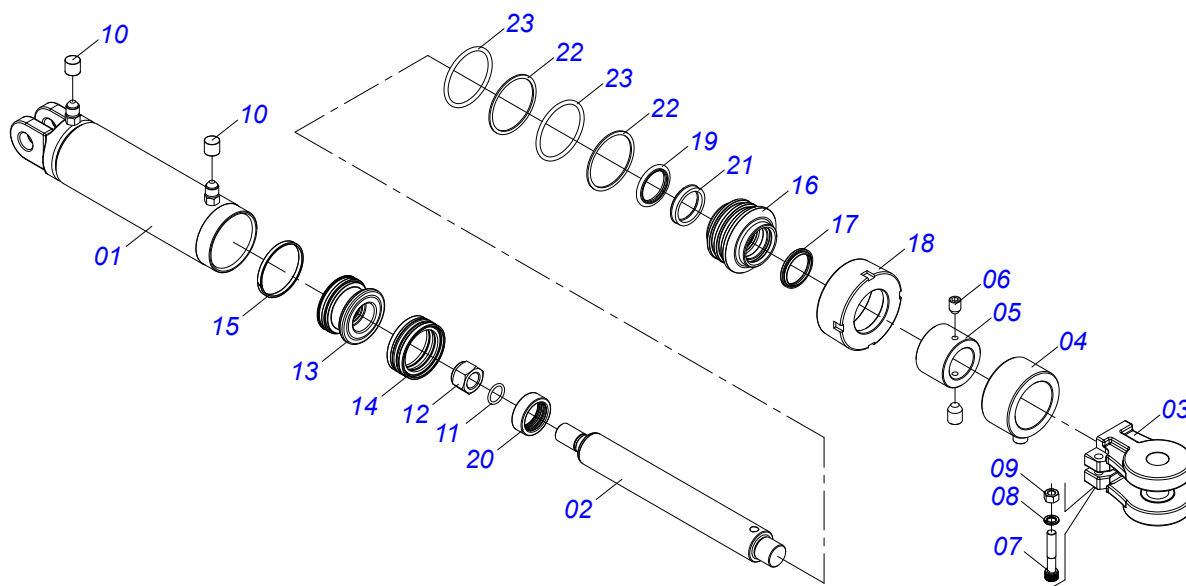
Item	Code	Description	See page	25 27 29 33 37				
				25	27	29	33	37
25D	0511060424	127" REAR FRAME		00	00	00	00	01
26	0501040877	C1" X 3-1/2" BOLT ASSY		08	08	08	08	08
26A	0501010059	NUT 1.5/8		08	08	08	08	08
26B	0501010171	BOLT 1 UNC X 3.1/2 C S G.5		08	08	08	08	08
26C	0502012861	1" SQUARE WASHER		08	08	08	08	08
26D	0501010065	1" SPRING WASHER		08	08	08	08	08
26E	0503010012	SPRING WASHER 1"		08	08	08	08	08
27	0501043732	COMPLETE TRACTION BAR		01	01	01	01	01
27A	0501065478	TRACTION BAR		01	01	01	01	01
27B	0521062444	TRACTOR HITCH		01	01	01	01	01
27C	0501810191	1" X 6" ASSY BOLT		01	01	01	01	01
27D	0503011438	SPRING WASHER		01	01	01	01	01
27E	0501810059	1" NUT		01	01	01	01	01
27F	0503811084	BOLT		03	03	03	03	03
27G	0503011442	3/4" SPRING WASHER		03	03	03	03	03
27H	0503810014	3/4" NUT		03	03	03	03	03
27I	0521810576	COUPLING SHAFT		01	01	01	01	01
28	0503060094	WHEEL AND TIRE ASSY	5	02	02	02	02	02
29	0501068579	FRONT CLEANER		08	08	10	11	13
30	0501064310	REAR SCRAPER		08	08	10	11	13
31	0503010920	1/2 UNC X 1.1/2 C S G.5 ZN BOLT		16	16	20	22	26
32	0511017302	FLAT WASHER 13.50 X 32.50 X 3.0 ZN		16	16	20	22	26
33	0503010019	SPRING WASHER 1/2"		16	16	20	22	26
34	0503010060	HEX NUT 1/2 UNC G.5 ZN		16	16	20	22	26
35	0501040257	3/4" X 38" HOSE SUPPORT ASSY		01	01	01	01	01
35A	0511067334	HOSE SUPPORT		01	01	01	01	01
35B	0501810322	FLAT WASHER		02	02	02	02	02
36	0501040343	HITCH AXIS ASSY		01	01	01	01	01
36A	0521010453	JOINT AXIS		01	01	01	01	01
36B	0503031035	HITCH PIN CLIP		01	01	01	01	01
37	0501080410	HOSE 3/8 X 5300 TC-TM		01	01	01	01	01
37A	0501080426	3/8" X 220" TC-TM HOSE ASSY		01	01	01	01	01
38	0501053834	MALE QUICK COUPLER		02	02	02	02	02
39	0502012702	BODY SUPPORT CLAMP		01	01	01	01	01
40	0503012555	7/16" UNC X 2" CS RT G.7 ZN SCREW		01	01	01	01	01
41	0503010180	SPRING WASHER 7/16"		01	01	01	01	01
42	0521014258	LOCK BOLT		01	01	01	01	01
43	0501068994	8,30 X 78 LOCK PIN		01	01	01	01	01
44	0503030168	HITCH PIN CLIP		01	01	01	01	01
45	0503030403	1.85" X 2.87" BEATER		01	01	01	01	01
46	0501068273	5/8" WRENCH		01	01	01	01	01
47	0501061617	1" GANG BOLT WRENCH		01	01	01	01	01
48	0511018451	5/8" X 3/4" X 1" UNIVERSAL		01	01	01	01	01
49	0501010198	1-1/4" CABLE FLAT WRENCH		02	02	02	02	02
50	0503010002	GREASE FITTING 1800		02	02	02	02	02
51	0501010059	NUT 1.5/8		10	10	10	10	10
52		GANG DISC	6					
52.		GANG DISC	7					
52..		GANG DISC	8					
53	0503031428	ATTENTION READ MANUAL DECAL		01	01	01	01	01
54	0503060845	DECAL SET GNLCR		01	01	01	01	01
55	0503031087	AUTO CONTROL APPROVED DECAL		01	01	01	01	01
56	0503034003	61 X 118 SERIAL NUMBER TAG		01	01	01	01	01
57	0503010001	RIVET 3,2 X 5,5		04	04	04	04	04



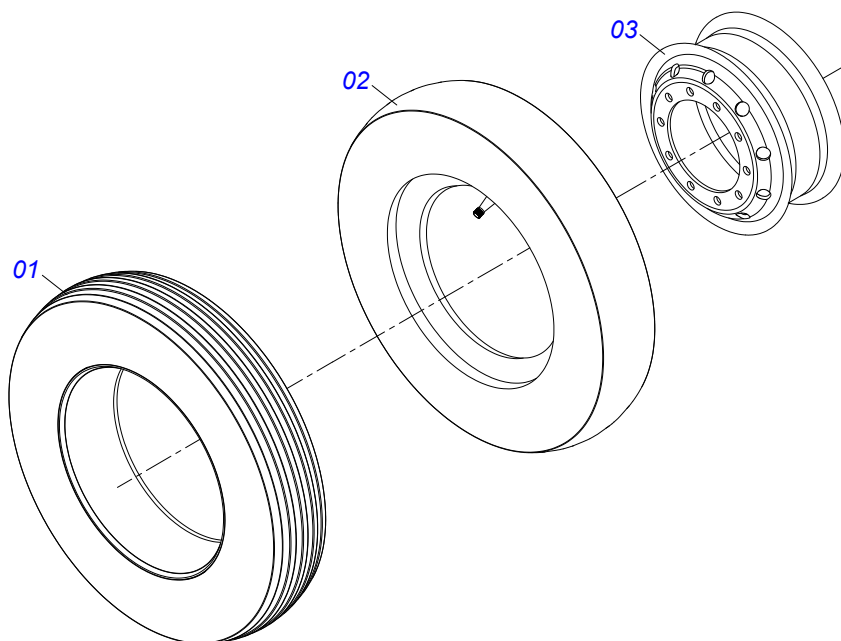
Item	Code	Description	See page	QT
01	0501051142	CARRYING WHEEL HUB	3	01
02	0521010821	2.5" X 16.5" AXLE		01
03	0501816545	FLAT WASHER		01
04	0503830009	CASTLE NUT R 1 UNS 14FPP X 22 SA		01
05	0503010018	5/32" X 1-1/2" SPLIT PIN		01
06	0502020591	PROTECTION LID		01
07	0503011444	SPRING WASHER 5/16"		04
08	0503810358	BOLT 5/16 UNC X 7/8" C S G.5 SA		04
09	0503010002	GREASE FITTING 1800		01



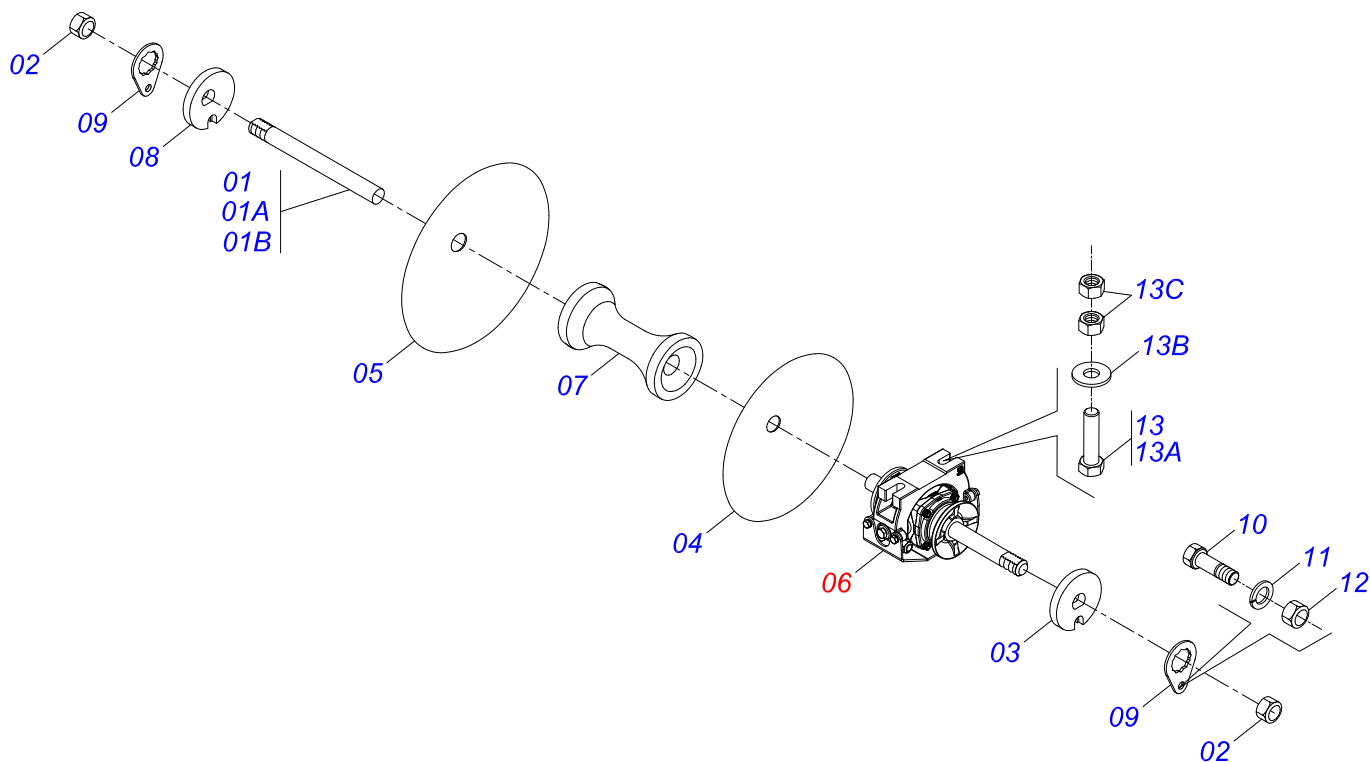
Item	Code	Description	See page	QT
01	0501110728	WHEEL HUB		01
01A	0502011121	CARRYING WHEEL HUB		01
01B	0501010127	9/16" X 1-7/8" LUG BOLT		06
01C	0503010035	9/16" CONIC NUT		06
02	0503010037	30207 ROLLER BEARING		01
03	0503010006	32210 ROLLER BEARING		01
04	0503012928	SEAL		01



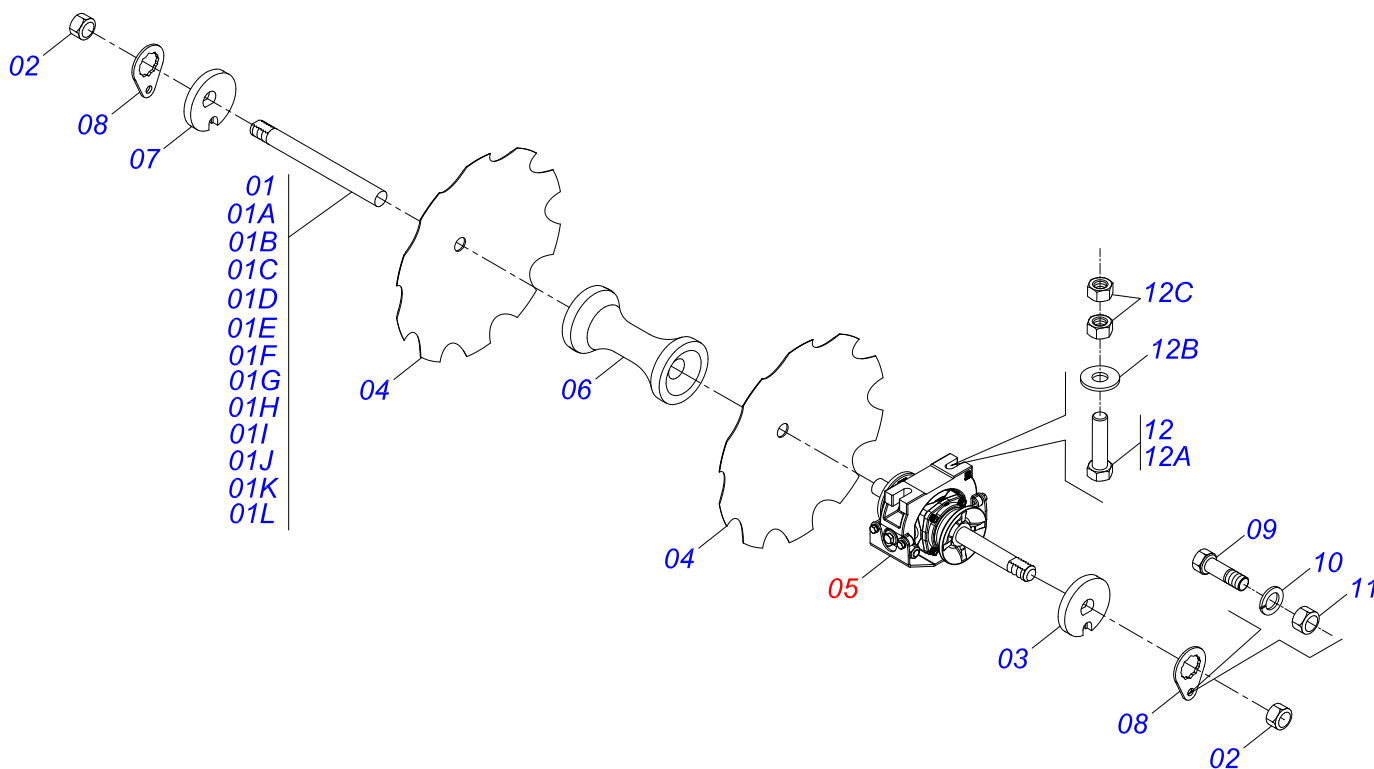
Item	Code	Description	See page	QT
01	0501064255	2.4" X 8" CYLINDER CASE		01
02	0521014292	1.7" X 15" TURNBUCLE WITH HOLES		01
03	0502040493	CLEVIS 26,50 R41		01
04	0511060370	CARRY-W REG OUTER BODY ASSY		01
05	0521014003	ADJUSTMENT INNER BODY CARRY-WHEEL		01
06	0503011148	3/8" X 1/2" BOLT		02
07	0503011094	BOLT 3/8" UNC X 2" C C S I 12.9		01
08	0503010025	SPRING WASHER 3/8"		01
09	0503010026	NUT 3/8"		01
10	0503030385	CYLINDER PLUG N-002		02
11	0503010042	2-214 N 3006-9B O'RING		01
12	0503010063	1" SELF-ALIGNING NUT		01
13	0571019710	1.7" X 3.4" PISTON		01
14	0503017935	RING		01
15	0503018144	RING		01
16	0571019711	RING SUPPORT		01
17	0503010761	D-1750 SCRAPER RING		01
18	0571019709	DETACHABLE COVER		01
19	0503017936	RING		01
20	0503017938	RING GUIDE		01
21	0503017937	GASKET		01
22	0503017940	8-337 BACK-UP RING		02
23	0503017939	2-337 N 3006-9B O' RING		02
24	0501031796	HYDRAULIC CYLINDER REPAIR KIT		01



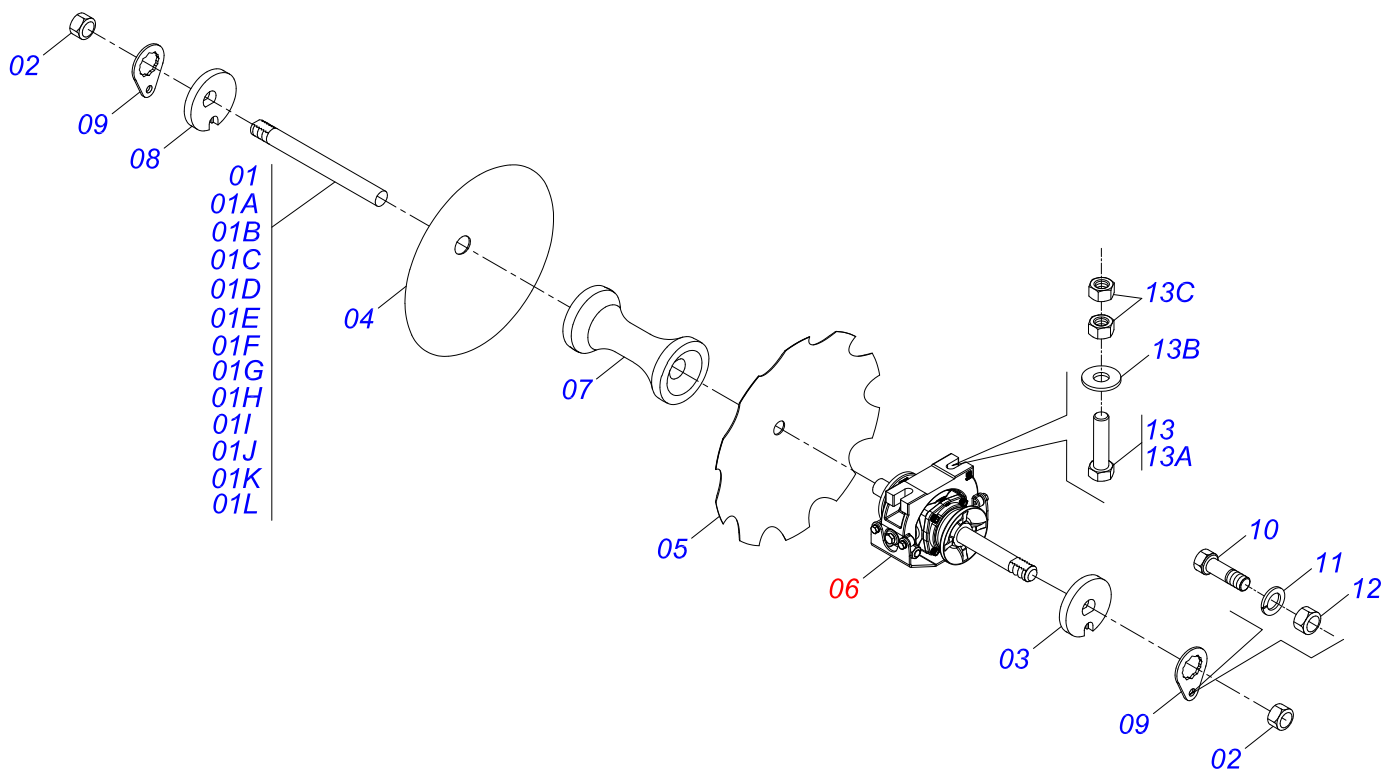
Item	Code	Description	See page	QT
01	0503010065	CANVAS TIRE		01
02	0503010694	INNER TIRE		01
03	0503010894	0.2"X0.6"X4.6"X6F0.6"X6" WHEEL		01



Item	Code	Description	See page	QT
01	0501041160	1-1/4" X 93.5" AXLE WITH NUTS		01
01A	0501012749	1-1/4" X 93.5" AXLE		01
01B	0521014257	1-1/4" X 100" AXLE		01
02	0501810087	NUT - 1.1/4 UNC 7FPP (SEXT.2) SA		04
03	0502010834	1-1/4" INNER AXLE WASHER		02
04	0601023134	DL16X3,5 C54AF02FR1.5/16 TATU		05
05	0601025255	DL18X3,5 C60AF02FR1.5/16 TATU		24
06	0521047188	182 X 1.1/4 DMO BEARING W/PROTECTION 9 SUPPORT		06
07	0502020068	6.57" SPACER		21
08	0502010835	1-1/4" EXTERNAL AXLE WASHER		02
09	0501010455	1.1/4" NUT LOCK		04
10	0501010161	BOLT 1/2" UNC X 1.1/4" C S G.2 ZN		04
11	0503010019	SPRING WASHER 1/2"		04
12	0503010060	HEX NUT 1/2 UNC G.5 ZN		04
13	0521059224	BOLT ASSEMBLY 5/8 UNC X 2.3/4		12
13A	0501013233	5/8" X 2-3/4" BOLT		12
13B	0501012140	FLAT WASHER 16,50 X 40 X 4,00 ZN		12
13C	0503010013	HEX NUT 5/8 UNC G.5 ZN		24



Item	Code	Description	See page	25	25. 27	27. 27..	33	37
01	0501040695	1-1/4" X 52" AXLE WITH NUTS		00	00	00	00	03
01A	0501040696	1-1/4" X 59" AXLE WITH NUTS		00	00	00	00	01
01B	0501040694	1-1/4" X 66" AXLE WITH NUTS		00	00	00	00	00
01C	0501040253	1-1/4" X 80" AXLE WITH NUTS		01	01	00	00	00
01D	0501046982	1-1/4" X 86" AXLE WITH NUTS		01	01	01	01	00
01E	0501041160	1-1/4" X 93.5" AXLE WITH NUTS		00	00	01	01	00
01F	0501010437	1-1/4" X 52" AXLE		00	00	00	00	03
01G	0501010438	1-1/4" X 59" AXLE		00	00	00	00	01
01H	0501010439	1-1/4" X 66" AXLE		00	00	00	00	00
01I	0501010440	1-1/4" X 80" AXLE		01	01	00	00	00
01J	0511016479	1-1/4" X 86" AXLE		01	01	01	01	00
01K	0501012749	1-1/4" X 93.5" AXLE		00	00	01	01	00
01L	0521014257	1-1/4" X 100" AXLE		00	00	00	00	00
02	0501810087	NUT - 1.1/4 UNC 7FPP (SEXT.2) SA		04	04	04	04	08
03	0502010834	1-1/4" INNER AXLE WASHER		02	02	02	02	04
04	0602021031	DR14X3,5 C37AF02FR1.5/16 7RE TATU		05	00	05	00	00
04.	0602023108	DR16X3,5 C54AF02FR1.5/16 8R TATU		20	05	22	00	05
04..	0602025265	DR18X3,5 C60AF02FR1.5/16 9REC TATU		00	20	00	05	22
04...	0602027340	DR 20 X 3,50 C57AF02FR1.5/16 10R		00	00	00	22	00
04....	0602027245	DR20X3,5 C82AFPAFR1.5/16 10REC TATU		00	00	00	00	28
05	0521047188	182 X 1.1/4 DMO BEARING W/PROTECTION 9 SUPPORT		06	06	06	06	08
06	0502020068	6.57" SPACER		17	17	19	19	21
07	0502010835	1-1/4" EXTERNAL AXLE WASHER		02	02	02	02	04
08	0501010455	1.1/4" NUT LOCK		04	04	04	04	08
09	0501010161	BOLT 1/2" UNC X 1.1/4" C S G.2 ZN		04	04	04	04	08
10	0503010019	SPRING WASHER 1/2"		04	04	04	04	08
11	0503010060	HEX NUT 1/2 UNC G.5 ZN		04	04	04	04	08
12	0521059224	BOLT ASSEMBLY 5/8 UNC X 2.3/4		12	12	12	12	16
12A	0501013233	5/8" X 2-3/4" BOLT		12	12	12	12	16
12B	0501012140	FLAT WASHER 16,50 X 40 X 4,00 ZN		12	12	12	12	16
12C	0503010013	HEX NUT 5/8 UNC G.5 ZN		24	24	24	24	32



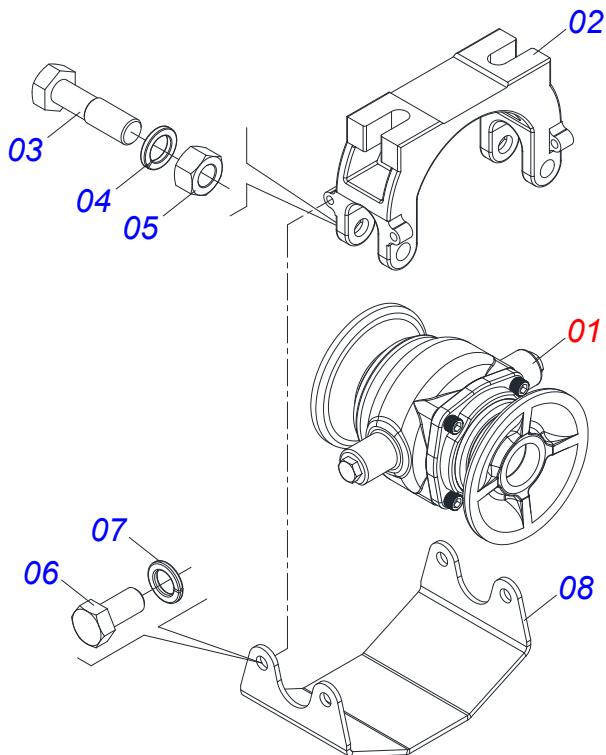
Item	Code	Description	See page	25	25. 27	29	29. 33	33. 37	37.		
01	0501040695	1-1/4" X 52" AXLE WITH NUTS		00	00	00	00	03	03	00	00
01A	0501040696	1-1/4" X 59" AXLE WITH NUTS		00	00	00	00	01	01	03	03
01B	0501040694	1-1/4" X 66" AXLE WITH NUTS		00	00	00	00	00	00	01	01
01C	0501040253	1-1/4" X 80" AXLE WITH NUTS		01	01	00	00	00	00	00	00
01D	0501046982	1-1/4" X 86" AXLE WITH NUTS		01	01	01	00	00	00	00	00
01E	0501041160	1-1/4" X 93.5" AXLE WITH NUTS		00	00	01	01	01	00	00	00
01F	0501010437	1-1/4" X 52" AXLE		00	00	00	00	00	03	03	00
01G	0501010438	1-1/4" X 59" AXLE		00	00	00	00	00	01	01	03
01H	0501010439	1-1/4" X 66" AXLE		00	00	00	00	00	00	00	01
01I	0501010440	1-1/4" X 80" AXLE		01	01	00	00	00	00	00	00
01J	0511016479	1-1/4" X 86" AXLE		01	01	01	00	00	00	00	00
01K	0501012749	1-1/4" X 93.5" AXLE		00	00	01	01	01	00	00	00
01L	0521014257	1-1/4" X 100" AXLE		00	00	00	01	01	00	00	01
02	0501810087	NUT - 1.1/4 UNC 7FPP (SEXT.2) SA		04	04	04	04	04	08	08	08
03	0502010834	1-1/4" INNER AXLE WASHER		02	02	02	02	02	04	04	04
04	0601023134	DL16X3,5 C54AF02FR1.5/16 TATU		03	10	11	12	03	14	03	16
04.	0601021045	DL14X3,5 C37AF02FR1.5/16 TATU		00	03	03	03	00	03	00	03
04..	0601025255	DL18X3,5 C60AF02FR1.5/16 TATU		10	00	00	00	12	00	14	00
05	0602021031	DR14X3,5 C37AF02FR1.5/16 7RE TATU		00	02	02	02	00	02	00	02
05.	0602023108	DR16X3,5 C54AF02FR1.5/16 8R TATU		02	10	11	12	02	14	02	16
05..	0602025265	DR18X3,5 C60AF02FR1.5/16 9REC TATU		10	00	00	00	12	00	14	00
06	0521047188	182 X 1.1/4 DMO BEARING W/PROTECTION 9 SUPPORT		06	06	06	06	06	08	08	08
07	0502020068	6.57" SPACER		17	17	19	21	21	21	21	25
08	0502010835	1-1/4" EXTERNAL AXLE WASHER		02	02	02	02	02	04	04	04
09	0501010455	1.1/4" NUT LOCK		04	04	04	04	04	08	08	08
10	0501010161	BOLT 1/2" UNC X 1.1/4" C S G.2 ZN		04	04	04	04	04	08	08	08
11	0503010019	SPRING WASHER 1/2"		04	04	04	04	04	08	08	08
12	0503010060	HEX NUT 1/2 UNC G.5 ZN		04	04	04	04	04	08	08	08
13	0521059224	BOLT ASSEMBLY 5/8 UNC X 2.3/4		12	12	12	12	12	16	16	16
13A	0501013233	5/8" X 2-3/4" BOLT		12	12	12	12	12	16	16	16
13B	0501012140	FLAT WASHER 16,50 X 40 X 4,00 ZN		12	12	12	12	12	16	16	16



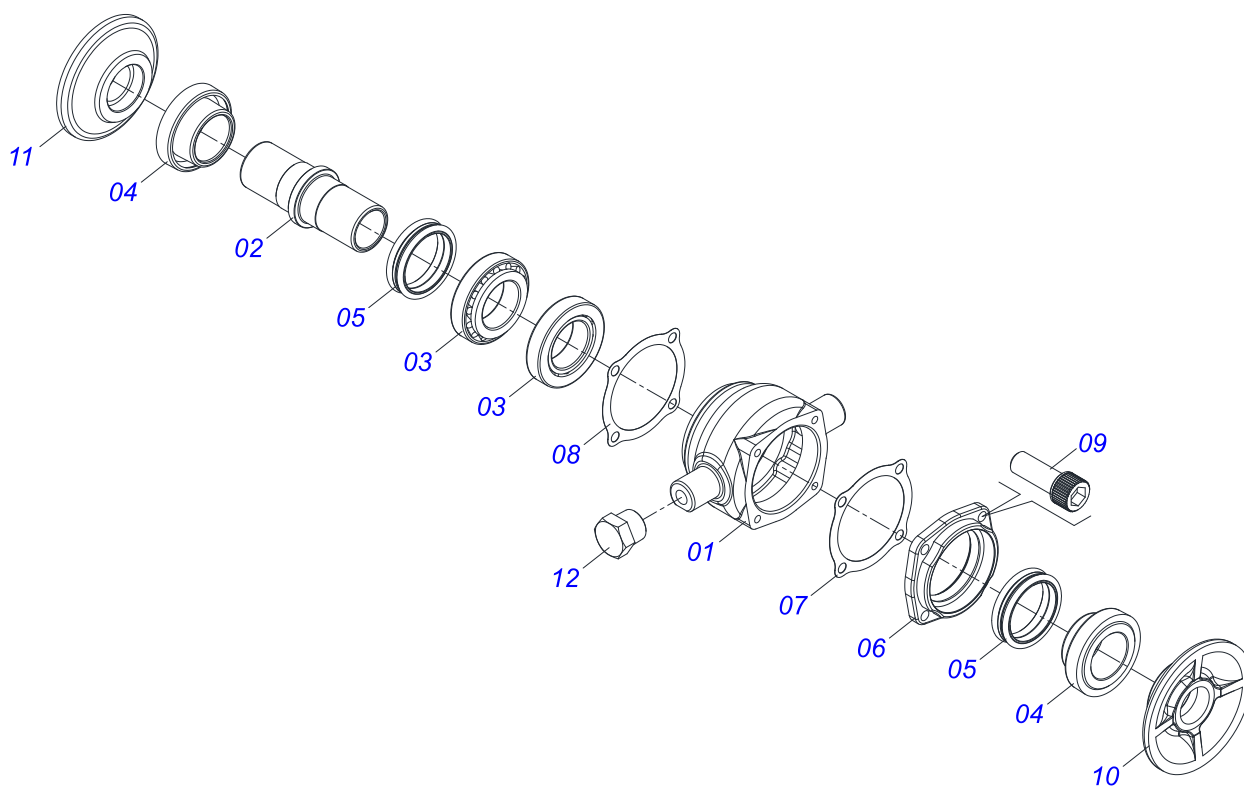
GANG DISC

0909097444

Item	Code	Description	See page	25	25.27	29	29.33	33.37	37.
13C	0503010013	HEX NUT 5/8 UNC G.5 ZN		24	24	24	24	24	32 32 32 32



Item	Code	Description	See page	QT
01	0521050841	AGRICULTURAL BEARING DMO 182 X 1.1/4	10	01
02	0502012854	BEARING SUPPORT 182/192,5		01
03	0501011541	5/8 UNC X 3 CS G.5 ZN1K28066 BOLT		02
04	0503010027	SPRING WASHER 5/8"		02
05	0503010013	HEX NUT 5/8 UNC G.5 ZN		02
06	0503011334	3/8 UNC X 3/4 CS G.5 ZN BOLT		04
07	0503010025	SPRING WASHER 3/8"		04
08	0581014143	SWIVEL OIL BATH BEARING WEAR PLATE		01



Item	Code	Description	See page	QT
01	0502012839	BEARING HOUSING 182/192,5		01
02	0502040060	AXLE CM/DM 182/192,5 SKF 32210		01
03	0503010006	32210 ROLLER BEARING		02
04	0502010541	SEAL HOLDER		02
05	0503030026	SEAL LP JB-253		02
06	0502020424	HOUSING CAP 182/192,225		01
07	0503030013	4.4" X 3.5" X 0.004" JOINT		02
08	0503030684	4.4" X 3.5" X 0.004" JOINT		01
09	0503010134	3/8" X 1" BOLT		04
10	0502010073	OUTER FLANGE		01
11	0502010074	INNER FLANGE		01
12	0503010856	OIL PLUG R 3/8 BSPT		02



MARCHESAN

Technical Publications | Elaboration and Revision

MARINA PEREZ NIZA

www.marchesan.com.br

