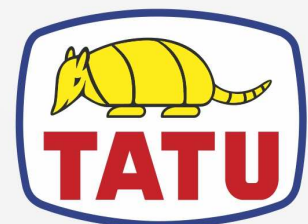


HIGH SPEED DISK

GA SPEEDY EHD - 22D
GA SPEEDY EHD - 22D

Code: 0501093905
Series: S-0123
Revision: 00
Revision Date: APRIL/2024

PARTS CATALOGUE



MARCHESAN



PRODUCTS

Code	Working Width	Description
0102620001		GA SPEEDY EHD 22 X 34 X 9,00 DRCP RD S-0123

ATTENTION: IMPORTANT

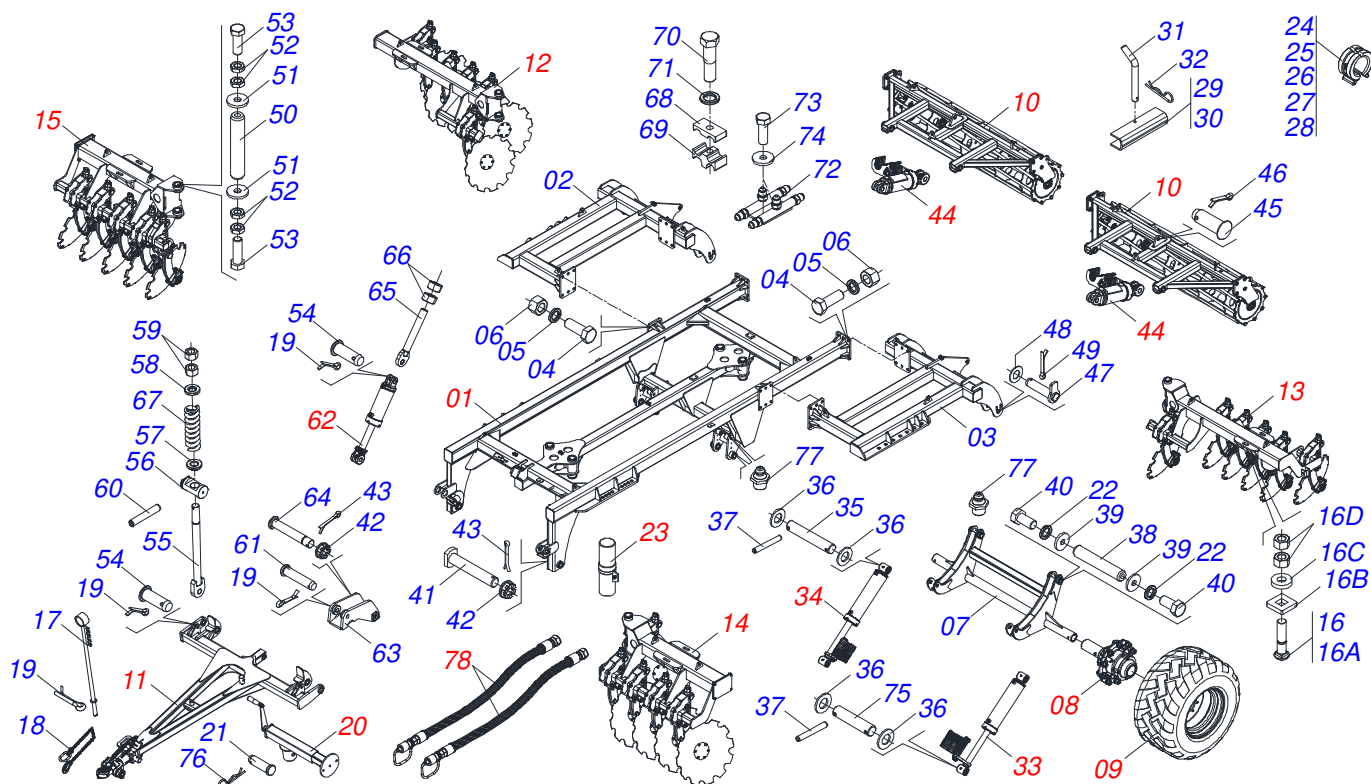
Marchesan S.A. reserves the right to improve and/or modify the technical features of its products, without obligation to do the same with those products already sold and without prior knowledge of the dealer or the customer. The photos are only illustrative.



MARCHESAN

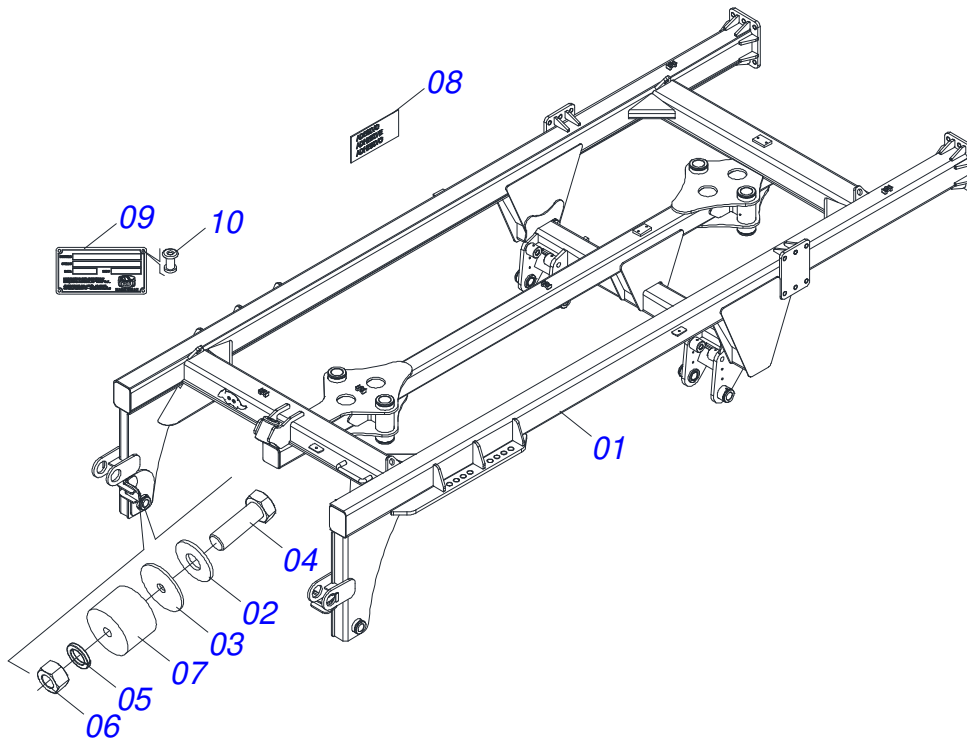
INDEX

0909097184	ASSY FRAME	1
0531045533	CENTRAL FRAME WITH LABEL	2
0531051144	WHEEL WITHOUT TIRE	3
0503062563	WHEELS AND TIRE 600/50-22.5 16L	4
0521049928	SIDE CAGE ROLLER ASSY (2692)	5
0521047185	SWIVEL OIL BATH BEARING 192.5 X 1.1 / 2	6
0521050838	SWIVEL OIL BATH BEARING 192.5 X 1.1 / 2	7
0531042472	ROLLER SIDE CLOSURE SET	8
0531045215	DRAWBAR WITH HITCH	9
0531040171	HITCH ASSY	10
0531045548	COMPLETE RIGHT REAR FRAME	11
0531045393	LEFT FRONT CUT DISC ASSEMBLY	12
0541050462	FIXING HUB COMPLETE DISC	13
0531045549	COMPLETE REAR LEFT FRAME	14
0531045394	RIGHT FRONT CUTTING DISC SET	15
0531045547	COMPLETE LEFT FRONT FRAME	16
0531045395	LEFT FRONT CENTER JUNCTION CUTTING DISC SET	17
0541053560	FRONT LEFT FRAME SEMI-ASSEMBLED	18
0531045546	COMPLETE RIGHT FRONT FRAME	19
0541053559	RIGHT FRONT FRAME SEMI ASSEMBLED	20
0511048088	DRAWBAR JACK	21
0541054117	MANUAL STORAGE TUBE ASSY	22
0531045211	LEFT HYDRAULIC CYLINDER 53.98X114.30X674X346	23
0531045210	RIGHT HYDRAULIC CYLINDER 53.98X114.30X674X346	24
0531040071	HYDRAULIC CYLINDER 50,80 X 101,60 X 430 X 115	25
0511058521	2" X 4" X 20" X 6" HYDRAULIC CYLINDER	26
0909097185	HYDRAULIC CIRCUIT	27
0501053834	MALE QUICK COUPLER	28
0541050913	COMPLETE VALVE	29

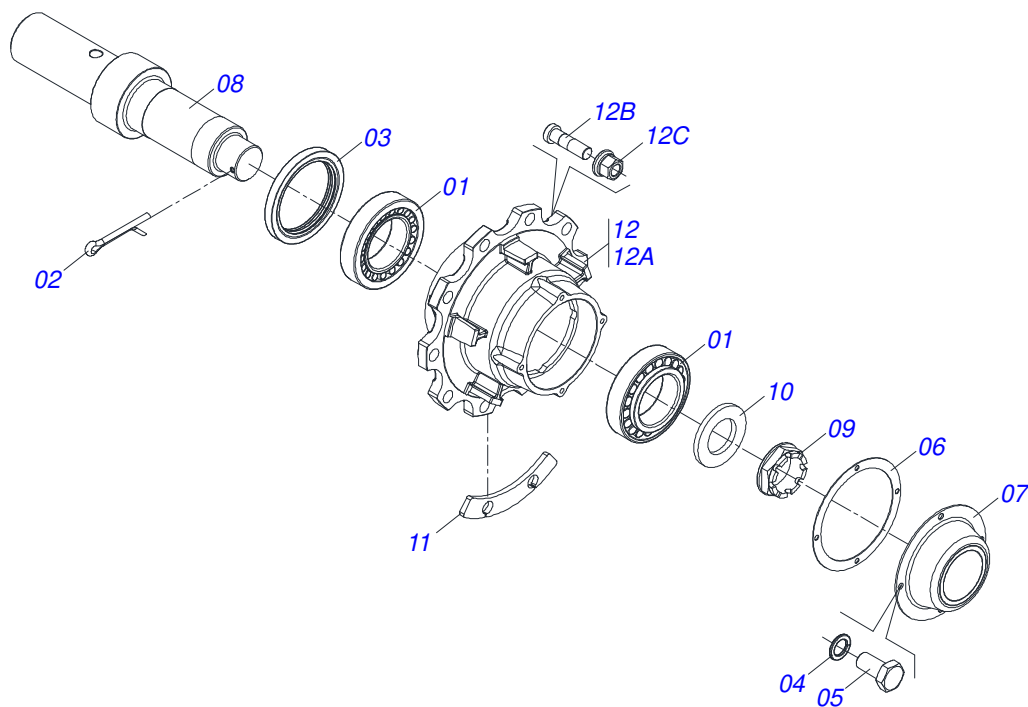


Item	Code	Description	See page	QT
01	0531045533	CENTRAL FRAME WITH LABEL	2	01
02	0531066388	RIGHT SIDE FRAME		01
03	0531066568	LEFT SIDE FRAME		01
04	0503016484	1" X 3-1/2" BOLT		24
05	0503010012	1" SPRING WASHER		24
06	0503010340	1" NUT		24
07	0531066872	WHEEL SUPPORT		01
08	0531051144	WHEEL WITHOUT TIRE	3	02
09	0503062563	WHEELS AND TIRE 600/50-22.5 16L	4	02
10	0521049928	SIDE CAGE ROLLER ASSY (2692)	5	02
11	0531045215	DRAWBAR WITH HITCH	9	01
12	0531045548	COMPLETE RIGHT REAR FRAME	11	01
13	0531045549	COMPLETE REAR LEFT FRAME	14	01
14	0531045547	COMPLETE LEFT FRONT FRAME	16	01
15	0531045546	COMPLETE RIGHT FRONT FRAME	19	01
16	0521040349	1-1/4" X 5.3/4" BOLT		08
16A	0501010954	1.1/4" X 5.3/4" BOLT		01
16B	0571010449	LOCK BOLT		01
16C	0571010448	32,50 X 75 X 16 SLEEVE		01
16D	0501010087	1.1/4" NUT		02
17	0531061120	HOSE SUPPORT		01
18	0503013150	1300 X 3/8" CHAIN		01
19	0503010523	1/4" X 2" SPLIT PIN		05
20	0511048088	DRAWBAR JACK	21	01
21	0561014251	COUPLING SHAFT		01
22	0503010012	1" SPRING WASHER		04
23	0541054117	MANUAL STORAGE TUBE ASSY	22	01
24	0501047895	25 ROD STOP		02
25	0501047886	35 ROD STOP		01
26	0501047887	40 ROD STOP		01
27	0501047885	30 ROD STOP		01
28	0501047888	45 ROD STOP		01

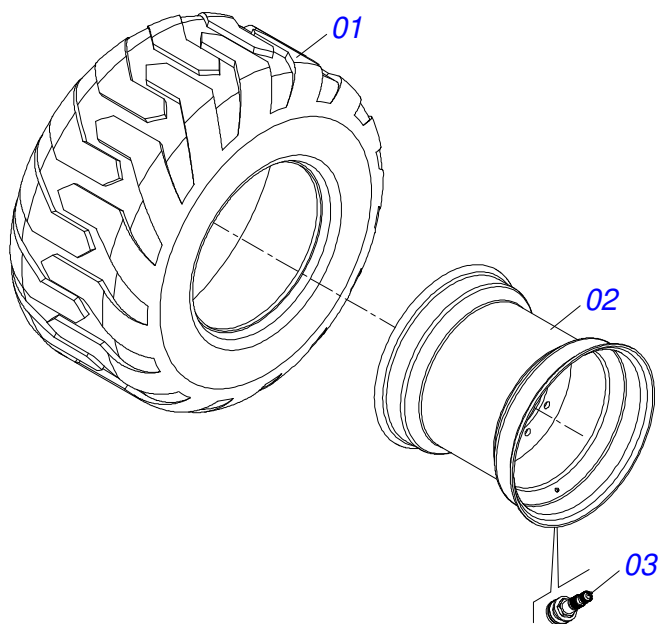
Item	Code	Description	See page	QT
29	0551019515	LATCH SHIPPING		01
30	0561016693	TRANSPORT LOCK		02
31	0541016844	FIXER LOCK		03
32	0503030285	HITCH PIN CLIP		03
33	0531045211	LEFT HYDRAULIC CYLINDER 53.98X114.30X674X346	23	01
34	0531045210	RIGHT HYDRAULIC CYLINDER 53.98X114.30X674X346	24	01
35	0531018105	1.2" X 11.8" PIVOT SHAFT		02
36	0501017779	FLAT WASHER 32 X 60 X 4,75		08
37	0503011877	0.3" X 2.4" SPRING PIN		08
38	0531018062	COUPLING SHAFT		02
39	0521011565	FLAT WASHER		04
40	0503011250	1" X 2" BOLT		04
41	0531066554	AXLE 50.00 X 352 WITH LOCK		02
42	0501011301	1.1/2" UNC 6FPP 2.5/16" NUT		03
43	0503010010	SPLIT PIN 1/4" X 2.1/2"		03
44	0531040071	HYDRAULIC CYLINDER 50,80 X 101,60 X 430 X 115	25	02
45	0521012538	1.2" X 3.5" COUPLING SHAFT		04
46	0503010523	1/4" X 2" SPLIT PIN		04
47	0531060468	JUNCTION AXLE 226 (HOLE 206)		04
48	0591010852	52 X 100 X 4.75 FLAT WASHER		04
49	0503010073	3/8" X 3.1/2" SPLIT PIN		04
50	0541011899	2.9" X 20" COUPLING SHAFT		04
51	0511013244	FLAT WASHER		08
52	0503013635	1" NUT		16
53	0503012660	1" X 4" BOLT		08
54	0521012538	1.2" X 3.5" COUPLING SHAFT		03
55	0531066393	SPRING ROD		02
56	0581014578	GUIDE		02
57	0581014586	GLOVE GUIDE		02
58	0581014587	46 X 95 X 16,00 WASHER		02
59	0501010333	1.3/4" NUT		04
60	0503010361	SPRING PIN		02
61	0531019171	1.25" X 7" COUPLING SHAFT		01
62	0511058521	2" X 4" X 20" X 6" HYDRAULIC CYLINDER	26	01
63	0511064656	DRAWBAR PIVOT		01
64	0521012053	1.5" X 8.6" AXLE		01
65	0531061835	REGULATOR SPINDLE		01
66	0591016676	NUT R.2.1/8 UNS 7FPP X 53 ZN		02
67	0503033826	SPRING 48X92,44X300X22,22		02
68	0502010477	HOSE CLAMP		09
69	0502012702	BODY SUPPORT CLAMP		04
70	0503011103	BOLT 7/16" UNC X 2.1/2" C S G.5 ZN		02
71	0503010180	7/16" SPRING WASHER		07
72	0501068706	DOUBLE CONNECTION		02
73	0503011338	BOLT 7/16" UNC X 1" CS G.5 ZN		04
74	0501012803	FLAT WASHER 12 X 30 X 3,00 ZN		04
75	0531018101	1.2" X 6.3" PIVOT SHAFT		02
76	0503030012	HITCH PIN CLIP		01
77	0503010002	1800 GREASE FITTING		12
78		HYDRAULIC CIRCUIT	27	



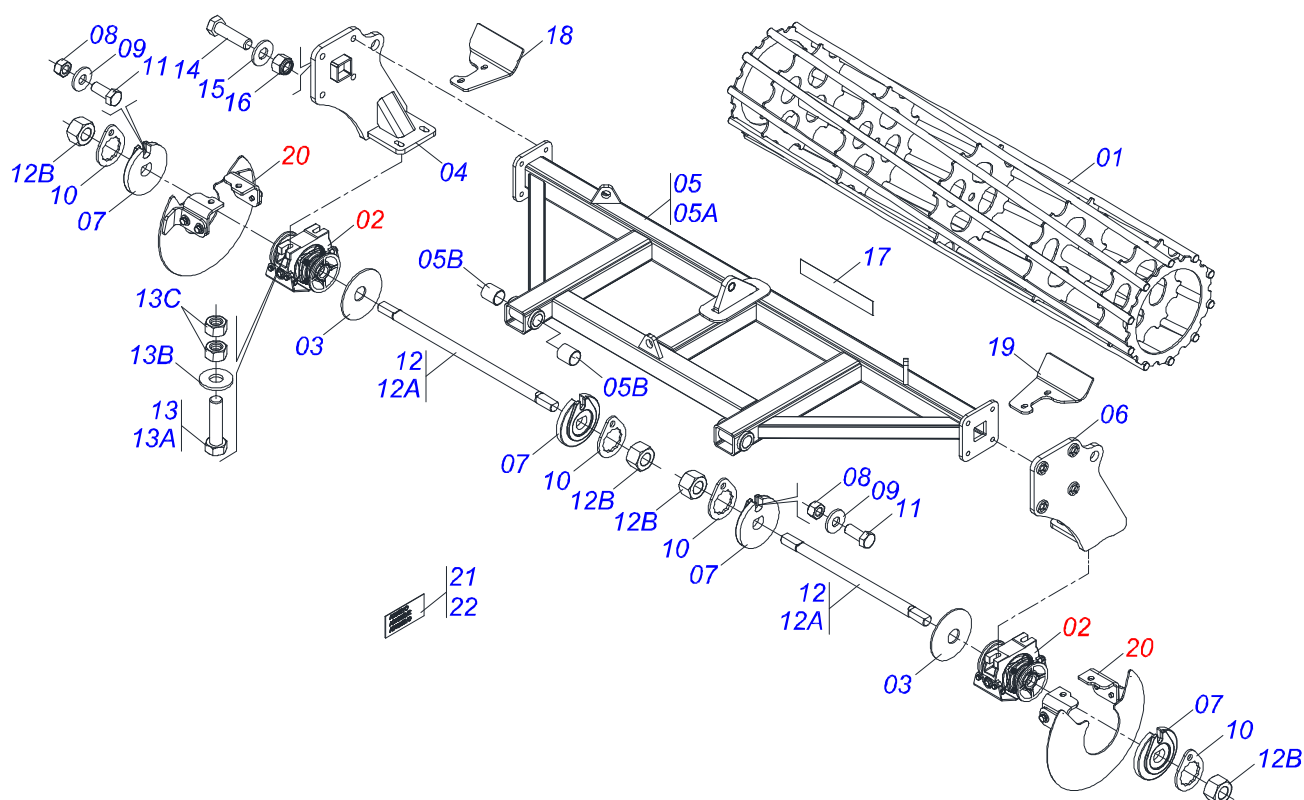
Item	Code	Description	See page	QT
01	0531066382	CENTRAL FRAME		01
02	0571010265	16,50 X 40 X 3,00 ZN FLAT WASHER		02
03	0571013284	17,50 X 90 X 4,75 FLAT WASHER		02
04	0503010233	5/8 UNC X 2.1/2 CS G.5 ZN BOLT		02
05	0503010027	5/8 SPRING WASHER		02
06	0503010013	5/8 UNC G.5 ZN HEX NUT		02
07	0501313236	SUPPORT		02
08	0503035531	ADHESIVE LABEL GANDLE COLORS (TATU SPEED DISK)		01
09	0503034003	61 X 118 SERIAL NUMBER TAG		01
10	0503010001	RIVET 3,2 X 5,5		04



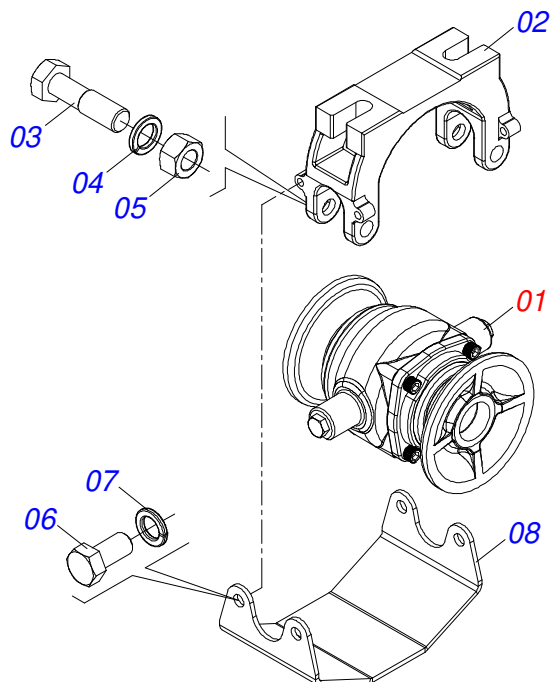
Item	Code	Description	See page	QT
01	0503010118	32218 BEARING		02
02	0503012213	1/4" X 4" SPLIT PIN		01
03	0503013541	REAR RETAINER 0310-BG AR22 1G25356		01
04	0503013542	M10 SPRING WASHER		04
05	0503013546	BOLT SX MA5,8 M10X1,5X20ZA DI		04
06	0503013548	JOINT CORK CR4F		01
07	0503013549	HUB COVER		01
08	0591018279	AXLE TIP R 2. 1/2 UN (FURO 50)		01
09	0502040080	FLANGE NUT R.2.1/2" UN		01
10	0531019986	64 X 110 X 9.5 FLAT WASHER		01
11	0561015521	FLANGE WHEEL HUB		05
12	0501110761	BOX WHEEL WITH BOLT 25-45FT		01
12A	0502012462	WHEEL HUB		01
12B	0503014050	BOLT M22 X 1,5 X 77/87 188RT		10
12C	0503014048	HEX NUT M22X1,5" CH32X33,5		10



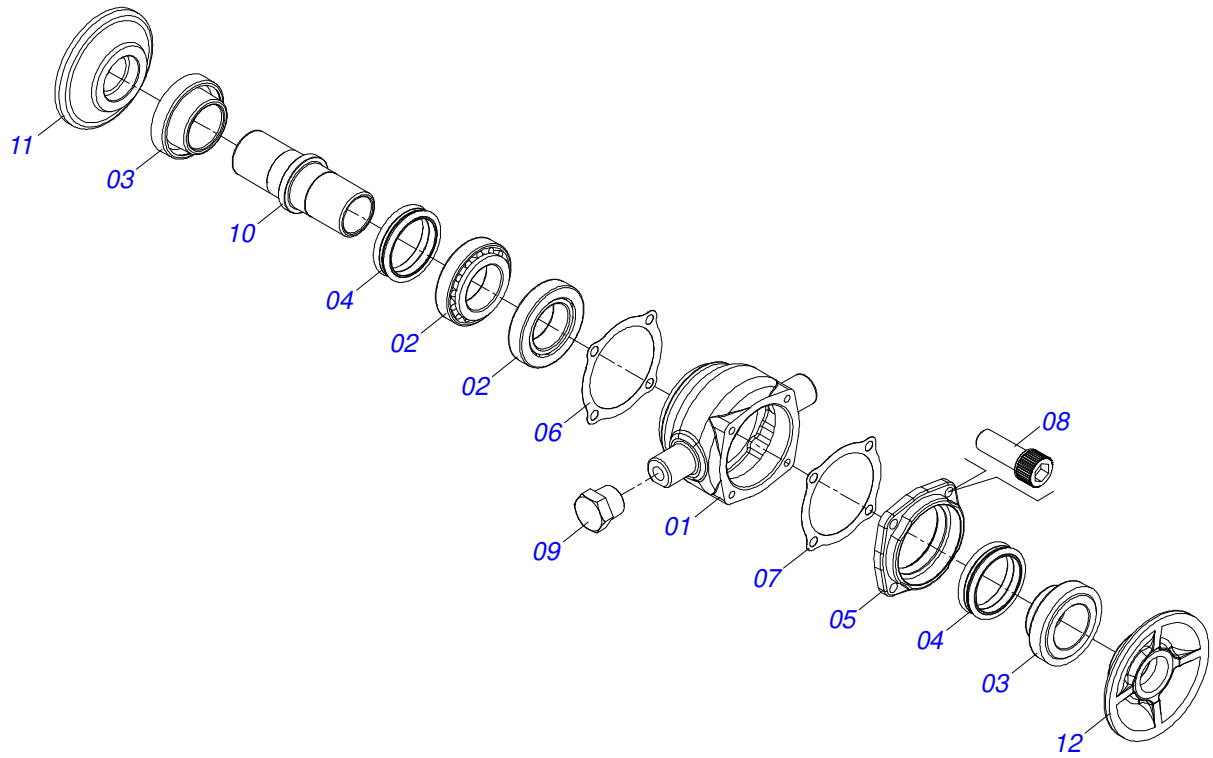
Item	Code	Description	See page	QT
01	0503018454	TIRE 600/50R 22,5 159D		01
02	0503013045	RIM 20.00X22.5		01
03	0503013999	VALVE 16MM AGR		01



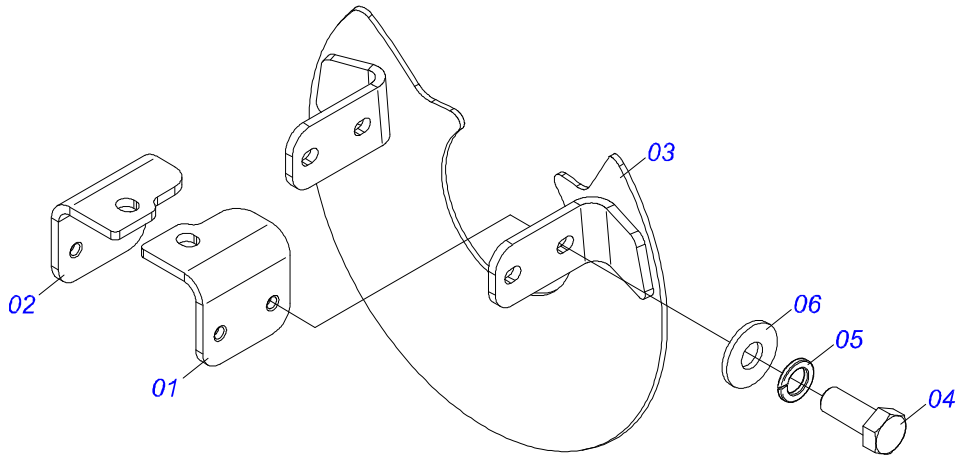
Item	Code	Description	See page	QT
01	0531060695	CAGE ROLLER 2608 25-30FT		01
02	0521047185	SWIVEL OIL BATH BEARING 192.5 X 1.1 / 2	6	02
03	0591011824	39.5 X 140 X 4.75 CONCAVE WASHER		02
04	0531060413	CAGE ROLLER RIGHT HAND HANGER 25-45FT		01
05	0521057725	CAGE ROLLER SUPPORT (2660)		01
05A	0531060694	CAGE ROLLER SUPPORT 25-30FT		01
05B	0503019271	SELF LUBRICATING BUSHING		04
06	0531060412	CAGE ROLLER LEFT HAND HANGER 25-45FT		01
07	0502010871	EXTERNAL AXLE WASHER 1.1/2"		04
08	0503012412	5/8" UNC SELF LOCKING NUT		04
09	0501012140	FLAT WASHER 16,50 X 40 X 4,00 ZN		04
10	0501018592	1.5/8 HEX 60,0/60,2 LOCK NUT		04
11	0503011267	BOLT 5/8" UNC X 1.1/2 C S G.5 ZN		04
12	0501043705	AXLE ASSY WITH NUT 1.1/2" 6FPP X 810		02
12A	0511010766	1.1/2" X 810 AXLE ASSY		01
12B	0501010110	1.1/2 NC 6FPP 2.3/8 HEXAGONAL NUT		02
13	0531043702	SCREW SET 5/8 UNC X 3.1/2 G.8		04
13A	0513010958	SCREW 5/8 UNC X 3.1/2 C S G.8 ZN		01
13B	0501012140	FLAT WASHER 16,50 X 40 X 4,00 ZN		01
13C	0513010204	HEX NUT 5/8 UNC G.8 ZN		02
14	0503017855	BOLT 3/4" UNF 2.3/4 CS G.5 ZN		08
15	0501010104	FLAT WASHER 45 X 20 X 4		08
16	0503010152	3/4" SELF LOCKING NUT		08
17	0503013229	REFLECTIVE SIDE BAND		01
18	0591018786	RIGHT SCRAPER (287 X 230)		01
19	0591018787	LEFT SCRAPER (287 X 230)		01
20	0531042472	ROLLER SIDE CLOSURE SET	8	03
21	0503032930	DANGER DECAL		02
22	0503034078	LIFTING POINTS DECAL		03



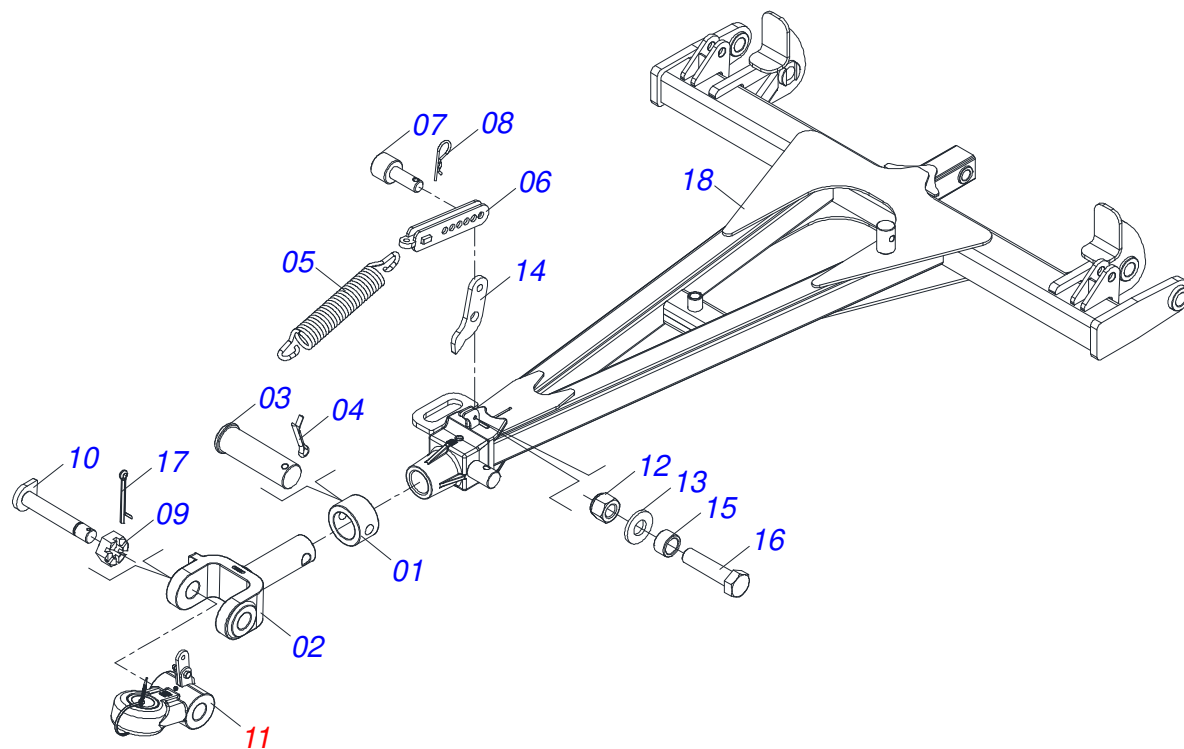
Item	Code	Description	See page	QT
01	0521050838	SWIVEL OIL BATH BEARING 192.5 X 1.1 / 2	7	01
02	0502012854	BEARING SUPPORT 182/192,5		01
03	0501011541	5/8 UNC X 3 CS G.5 ZN1K28066 BOLT		02
04	0503010027	5/8 SPRING WASHER		02
05	0503010013	5/8 UNC G.5 ZN HEX NUT		02
06	0503011334	3/8 UNC X 3/4 CS G.5 ZN BOLT		04
07	0503010025	3/8 SPRING WASHER		04
08	0581014143	SWIVEL OIL BATH BEARING WEAR PLATE		01



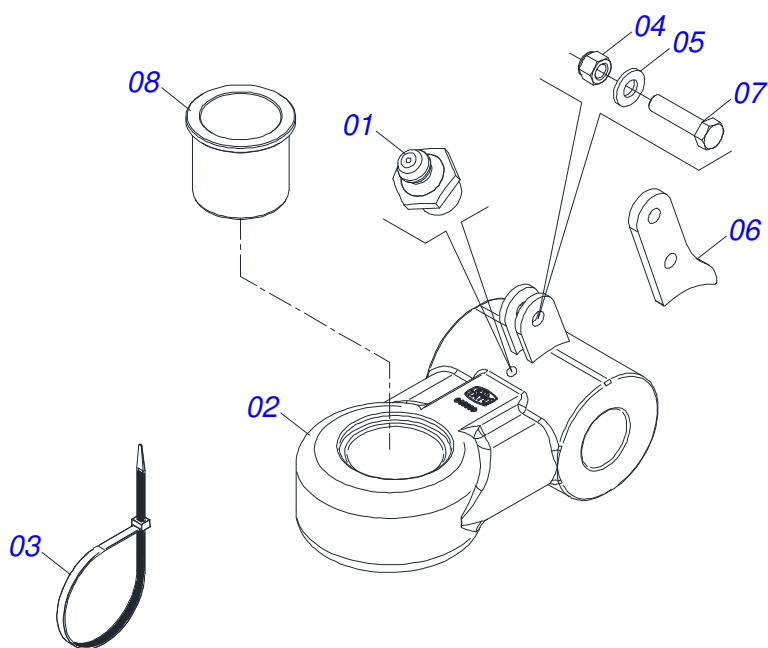
Item	Code	Description	See page	QT
01	0502012839	BEARING HOUSING 182/192,5		01
02	0503012171	32210 ROLLER BEARING		02
03	0502010541	SEAL HOLDER		02
04	0503030026	SEAL LP JB-253		02
05	0502020424	HOUSING CAP 182/192,225		01
06	0503030013	4.4" X 3.5" X 0.004" JOINT		02
07	0503030684	4.4" X 3.5" X 0.004" JOINT		01
08	0503010134	3/8" X 1" BOLT		04
09	0503010856	OIL PLUG R 3/8 BSPT		02
10	0502040061	182/192,5 AXLE		01
11	0502010605	INNER FLANGE		01
12	0502010604	OUTER FLANGE		01
13	3402301275	TATU OIL		0,13Lts



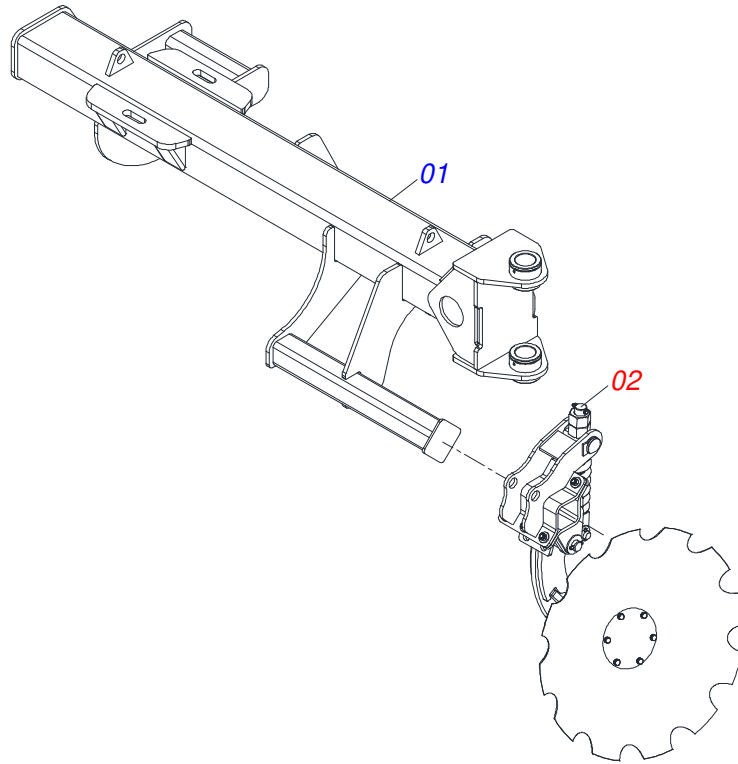
Item	Code	Description	See page	QT
01	0501214181	LEFT SUPPORT FIXER SET ROLLER SIDE CLOSURE		01
02	0501214180	RIGHT SUPPORT FIXER SET ROLLER SIDE CLOSURE		01
03	0531064041	ROLLER SIDE CLOSURE		01
04	0503010395	1/2" X 1-1/4" BOLT		04
05	0503010019	1/2" SPRING WASHER		04
06	0511017302	FLAT WASHER 13,50 X 32,50 X 3,0 ZN		04



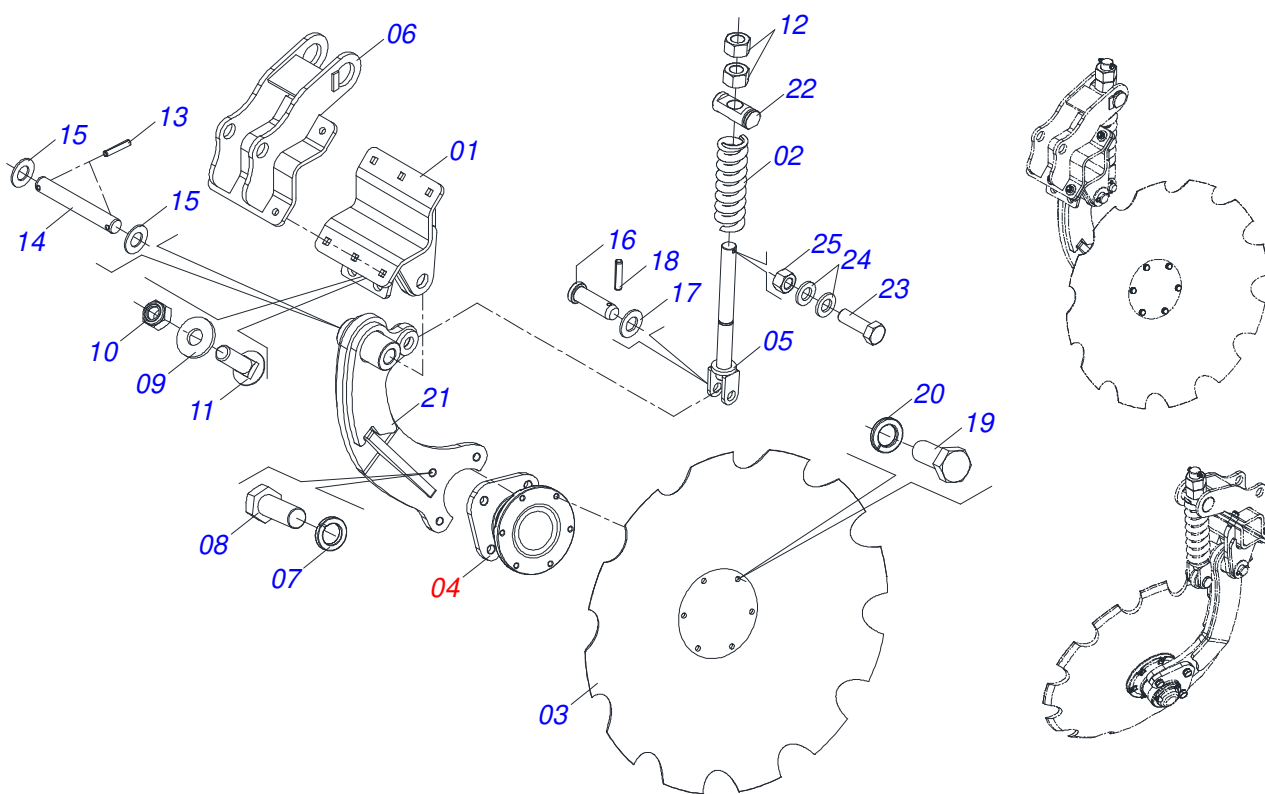
Item	Code	Description	See page	QT
01	0502040263	HITCH LOCK RING		01
02	1902040897	TRACTOR HITCH		01
03	0561017306	COUPLING SHAFT		01
04	0503010523	1/4" X 2" SPLIT PIN		01
05	0503031741	1.8" X 11.4" 0.3" TRACTION SPRING		01
06	0531061607	SPRING REGULATOR		01
07	0591014558	SPRING REGULATOR FIXER AXLE		01
08	0503030285	HITCH PIN CLIP		01
09	0502040558	2" CASTLE NUT		01
10	0531061122	AXIS ARTICULATOR		01
11	0531040171	HITCH ASSY	10	01
12	0503010589	1/2" UNC SELF ADJUSTING NUT		01
13	0501010937	13,50 X 28 X 3,00 FLAT WASHER		01
14	0591014554	REAR SUPPORT FIXING SPRING		01
15	0591014552	SLEEVE		01
16	0503010740	BOLT 1/2 UNC X 2 CS G.5 ZN		01
17	0503010074	3/8" X 4" SPLIT PIN		01
18	0531066549	DRAWBAR		01



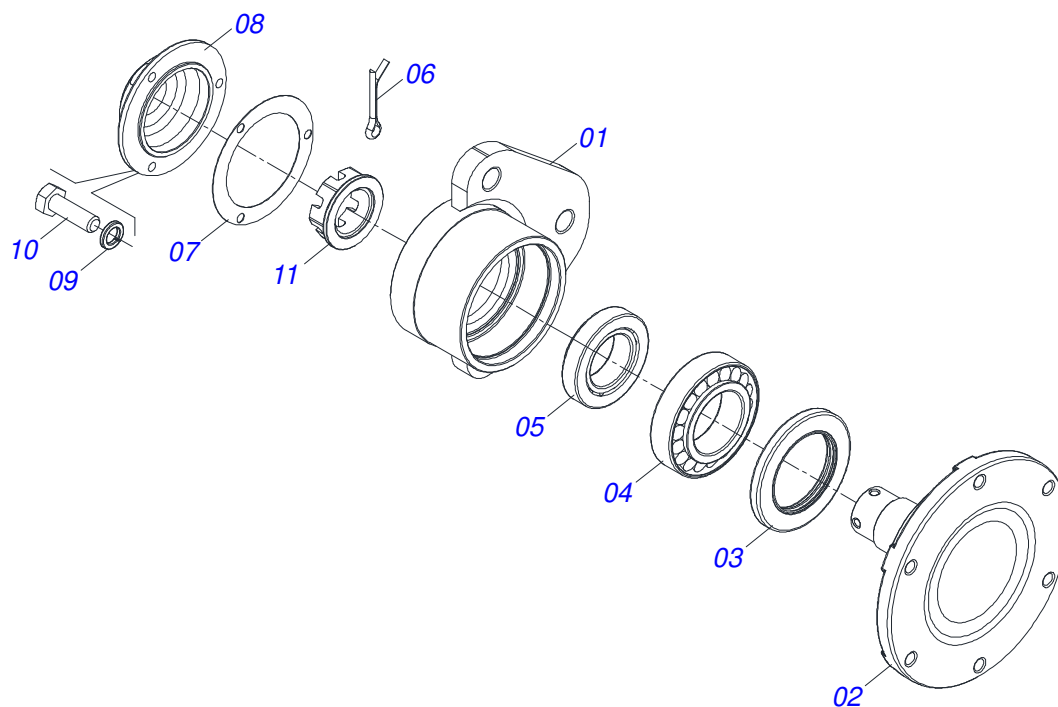
Item	Code	Description	See page	QT
01	0503010002	1800 GREASE FITTING		01
02	0531061121	HITCH		01
03	0503018829	NYLON CLAMP 7,8 X 1,8 X 390 MM		01
04	0503010589	1/2" UNC SELF ADJUSTING NUT		01
05	0501010937	13,50 X 28 X 3,00 FLAT WASHER		01
06	0591014555	FRONT SUPPORT FIXING SPRING		01
07	0503010740	BOLT 1/2 UNC X 2 CS G.5 ZN		01
08	0591013448	SLEEVE 65,50 X 78 X 76 (PIN 2.1/2")		01



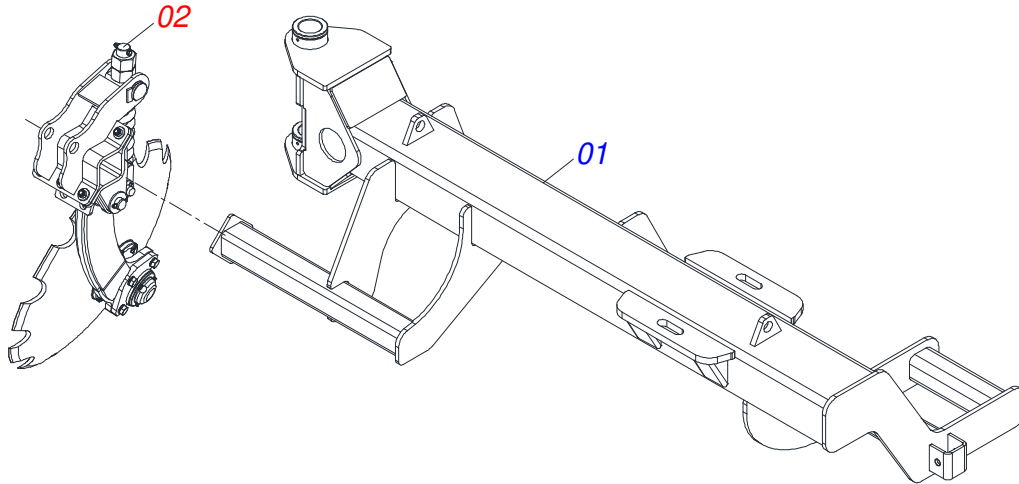
Item	Code	Description	See page	QT
01	0531067090	RIGHT REAR FRAME		01
02	0531045393	LEFT FRONT CUT DISC ASSEMBLY	12	06



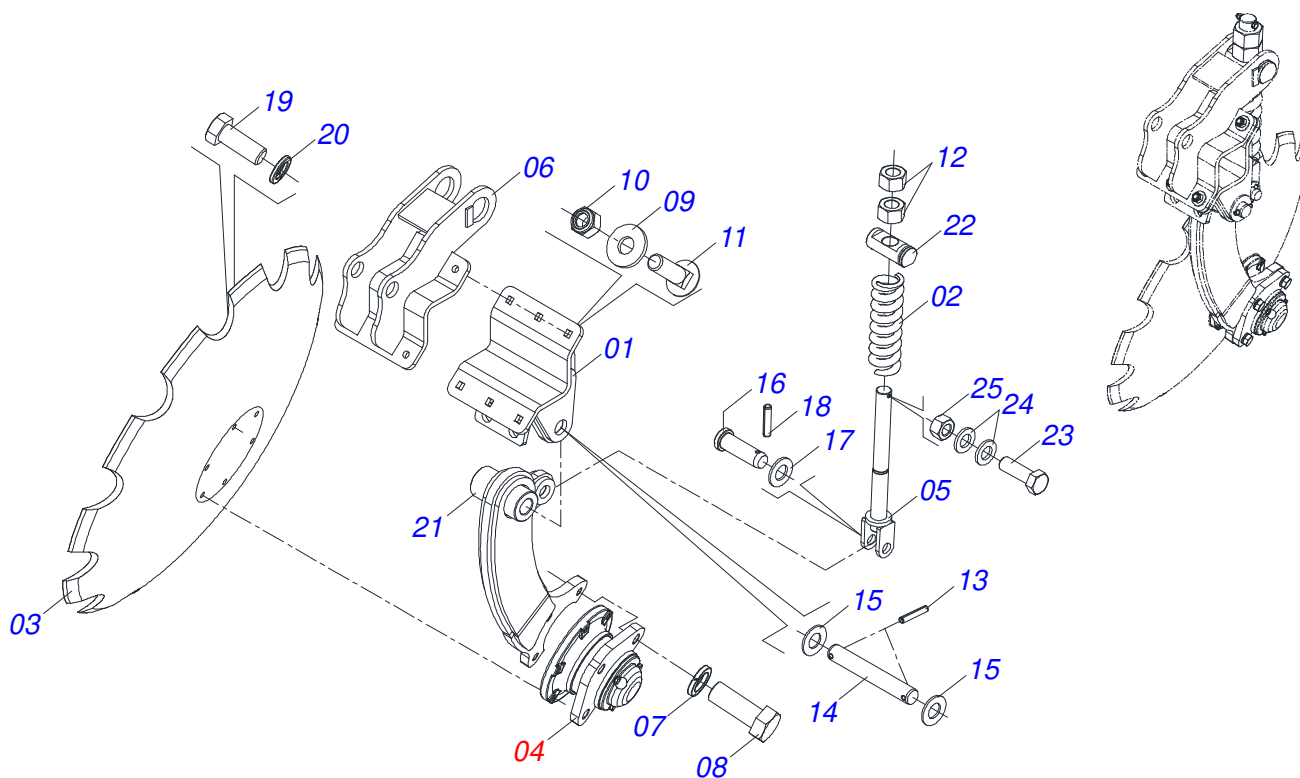
Item	Code	Description	See page	QT
01	0531067062	LOWER ARM SUPPORT		01
02	0503033826	SPRING 48X92,44X300X22,22		01
03	0611029001	DRCP C225 34X9 C85AF02 6FR13,5 12REC		01
04	0541050462	FIXING HUB COMPLETE DISC	13	01
05	0531067063	SPRING GUIDE		01
06	0531067064	TOP ARM SUPPORT		01
07	0503010023	3/4" SPRING WASHER		03
08	0503010922	3/4" X 2" BOLT		03
09	0501012140	FLAT WASHER 16,50 X 40 X 4,00 ZN		06
10	0503013389	5/8" SELF LOCKING NUT		06
11	0503012699	BOLT 5/8NC X 2 CAPQ G.5 ZN 1K20548		06
12	0501010333	1.3/4" NUT		02
13	0503010361	SPRING PIN		02
14	0501315412	AXIS 1.1/2 X 260		01
15	0521011688	FLAT WASHER		02
16	0501315413	AXIS 31.75 X 85 HOLE 80		01
17	0501017779	FLAT WASHER 32 X 60 X 4,75		01
18	0503010839	03"X 0.6" SPRING PIN		01
19	0503010311	1/2" X 1-1/4" BOLT		06
20	0503010019	1/2" SPRING WASHER		06
21	0531067065	LEFT FRONT DISC ARM		01
22	0501315415	LARGER CRANK GUIDE		01
23	0503011268	3/8" X 2-1/2" BOLT		01
24	0503015135	FLAT WASHER 10 X 18 X 2		02
25	0503010026	3/8" NUT		01



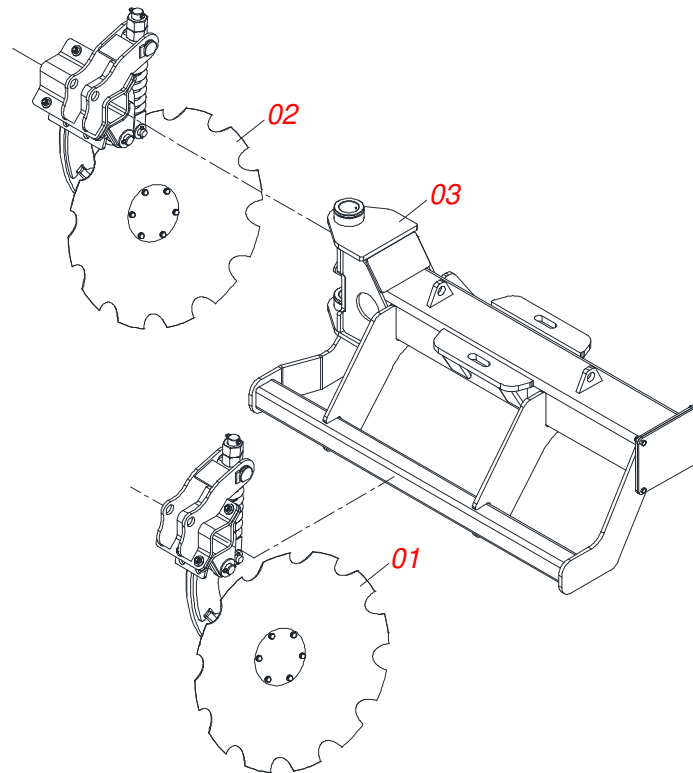
Item	Code	Description	See page	QT
01	0501314934	FIXATION SUPPORT		01
02	0502013073	SUPPORT		01
03	0503011866	SEAL 00573-B WITH HOLE		01
04	0503010005	32212 ROLLER BEARING		01
05	0503010006	32210 ROLLER BEARING		01
06	0503010010	SPLIT PIN 1/4" X 2.1/2"		01
07	0503030227	4.8" X 3.5" X 0.02" JOINT		01
08	0502040715	COVER		01
09	0503011444	SPRING WASHER 5/16"		03
10	0503010371	5/16" X 1" BOLT		03
11	0501010888	1.3/4" 2.5/16" CASTLE NUT		01
12	1882970006	GREASE SOAP		01 Kg



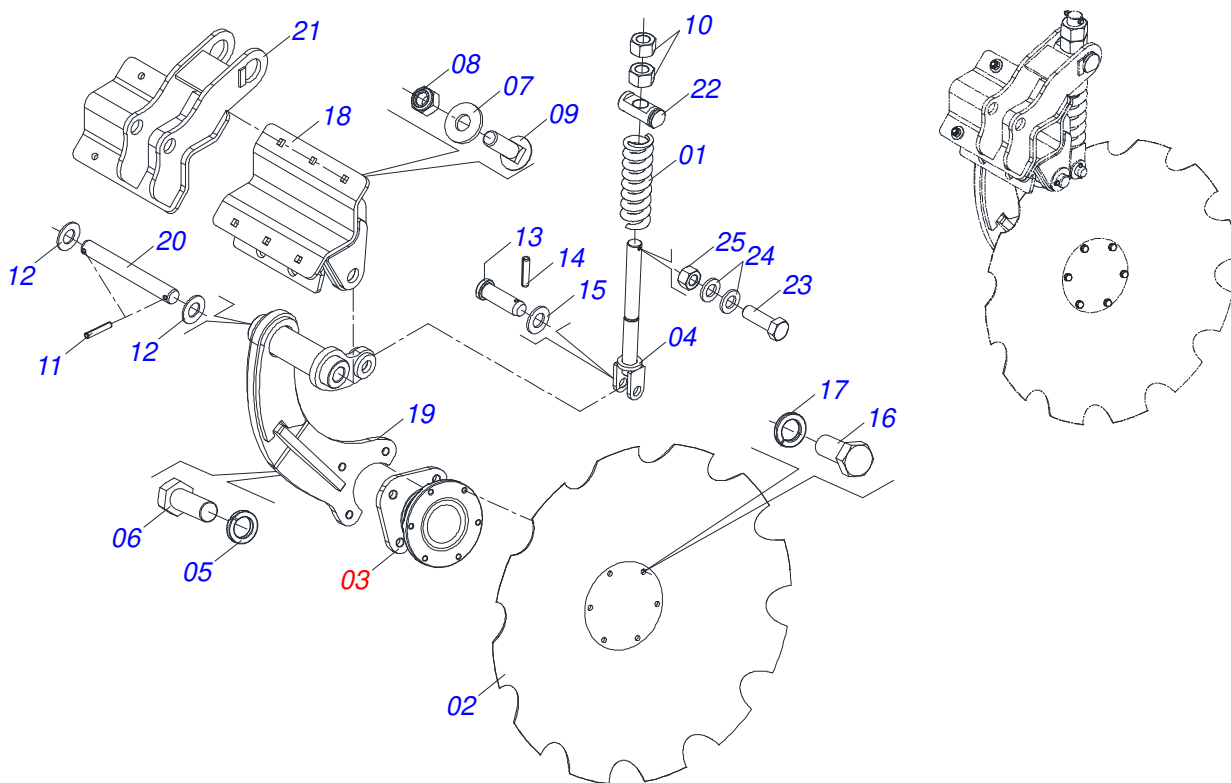
Item	Code	Description	See page	QT
01	0531067089	LEFT REAR FRAME		01
02	0531045394	RIGHT FRONT CUTTING DISC SET	15	06



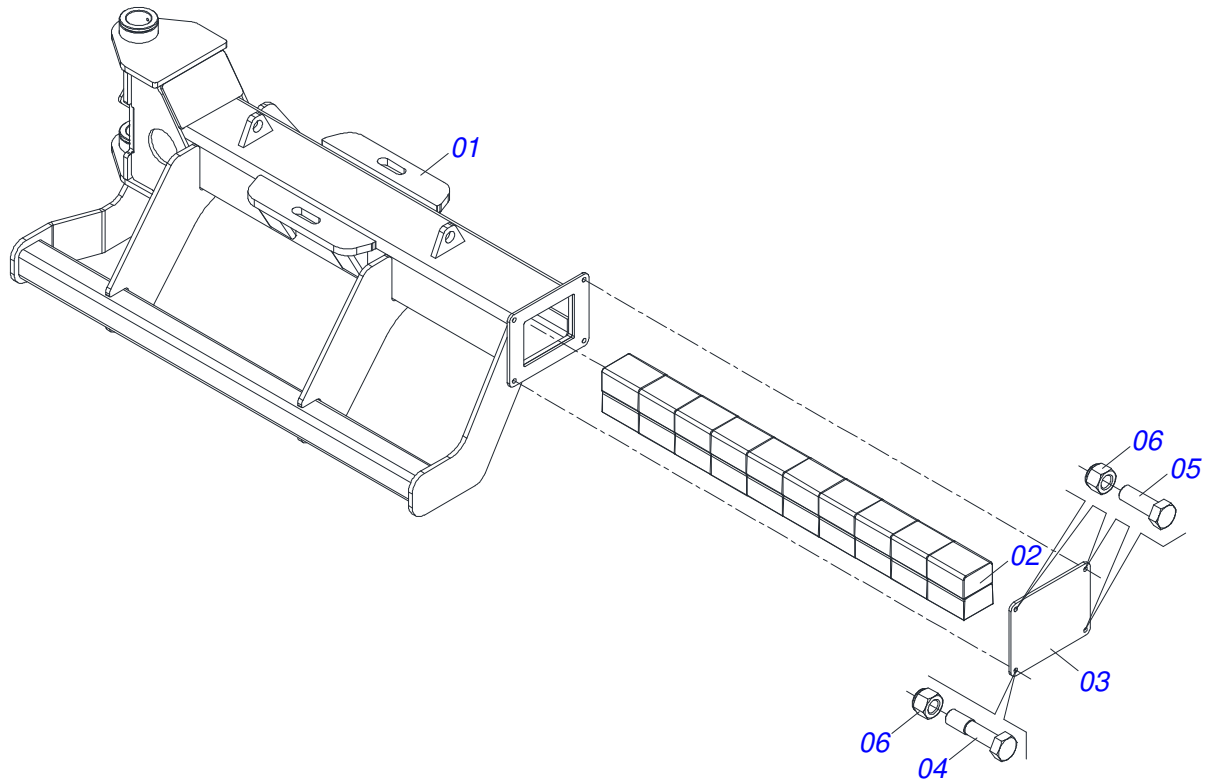
Item	Code	Description	See page	QT
01	0531067062	LOWER ARM SUPPORT		01
02	0503033826	SPRING 48X92,44X300X22,22		01
03	0611029001	DRCP C225 34X9 C85AF02 6FR13,5 12REC		01
04	0541050462	FIXING HUB COMPLETE DISC	13	01
05	0531067063	SPRING GUIDE		01
06	0531067064	TOP ARM SUPPORT		01
07	0503010023	3/4" SPRING WASHER		03
08	0503010922	3/4" X 2" BOLT		03
09	0501012140	FLAT WASHER 16,50 X 40 X 4,00 ZN		06
10	0503013389	5/8" SELF LOCKING NUT		06
11	0503012699	BOLT 5/8NC X 2 CAPQ G.5 ZN 1K20548		06
12	0501010333	1.3/4" NUT		02
13	0503010361	SPRING PIN		02
14	0501315412	AXIS 1.1/2 X 260		01
15	0521011688	FLAT WASHER		02
16	0501315413	AXIS 31.75 X 85 HOLE 80		01
17	0501017779	FLAT WASHER 32 X 60 X 4,75		01
18	0503010839	03"X 0.6" SPRING PIN		01
19	0503010311	1/2" X 1-1/4" BOLT		06
20	0503010019	1/2" SPRING WASHER		06
21	0531067068	RIGHT FRONT DISC ARM		01
22	0501315415	LARGER CRANK GUIDE		01
23	0503011268	3/8" X 2-1/2" BOLT		01
24	0503015135	FLAT WASHER 10 X 18 X 2		02
25	0503010026	3/8" NUT		01



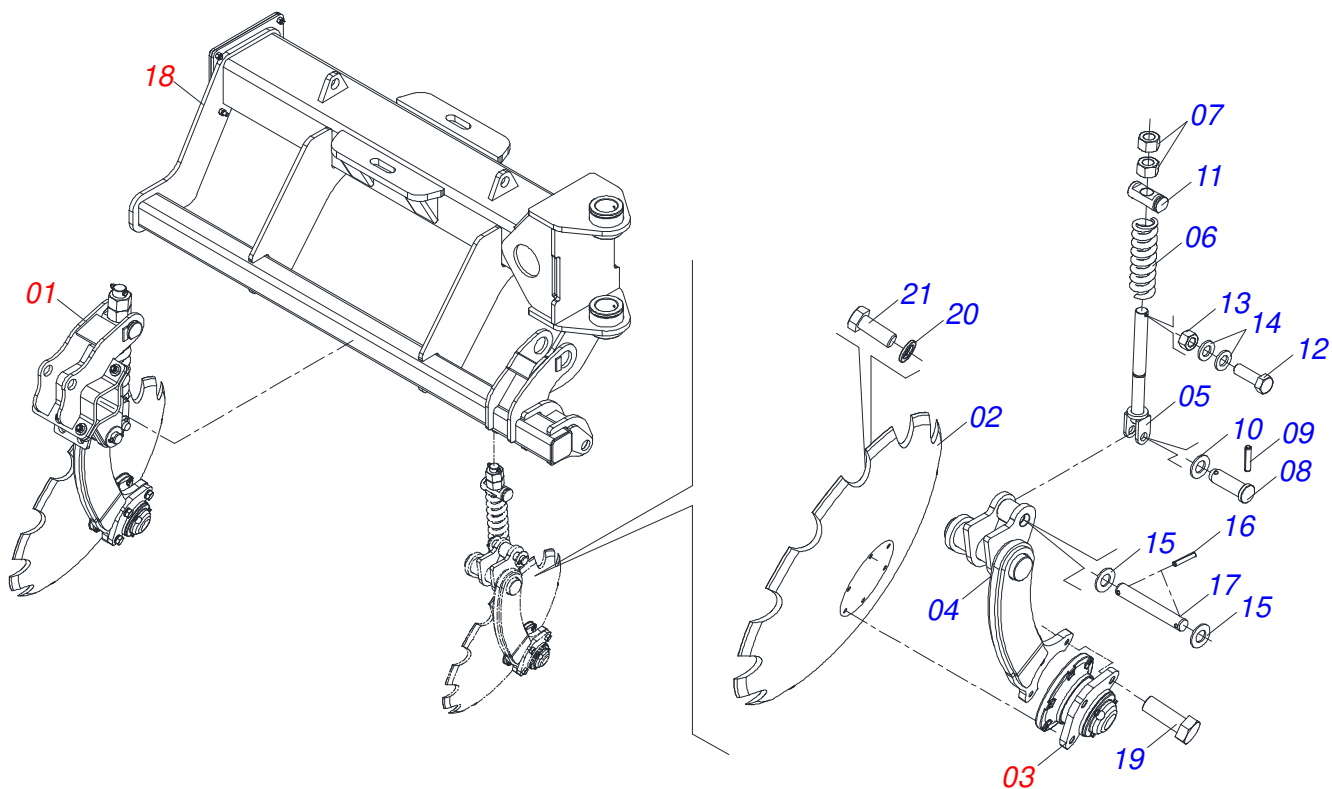
Item	Code	Description	See page	QT
01	0531045393	LEFT FRONT CUT DISC ASSEMBLY	12	04
02	0531045395	LEFT FRONT CENTER JUNCTION CUTTING DISC SET	17	01
03	0541053560	FRONT LEFT FRAME SEMI-ASSEMBLED	18	01



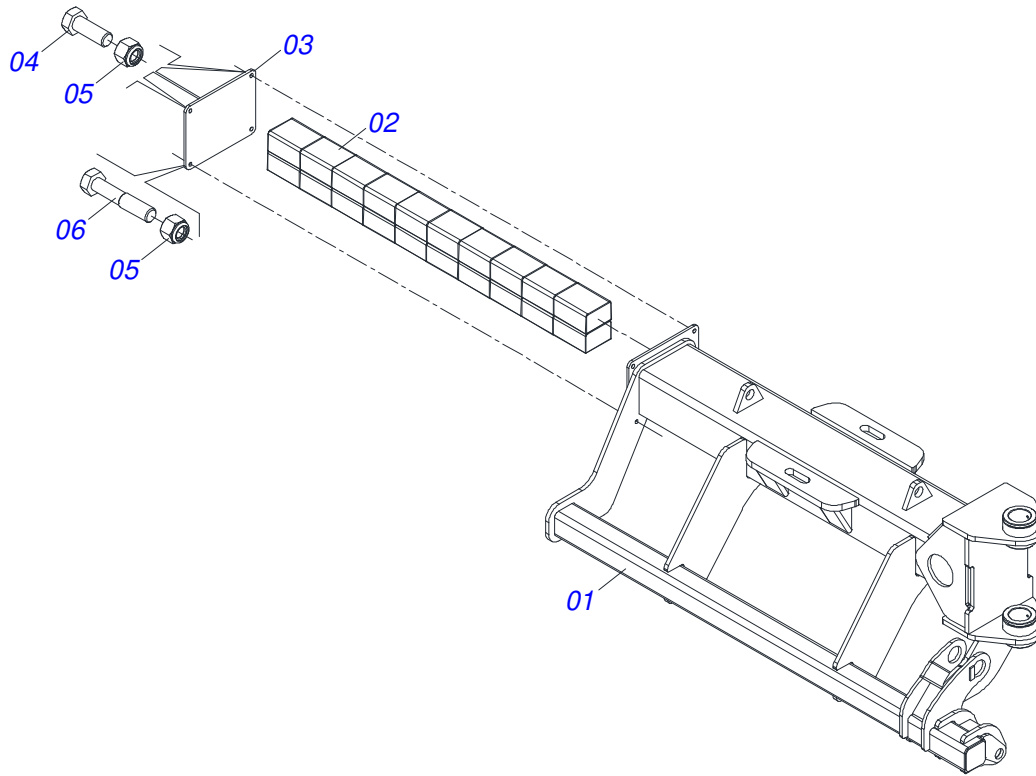
Item	Code	Description	See page	QT
01	0503033826	SPRING 48X92,44X300X22,22		01
02	0611029001	DRCP C225 34X9 C85AF02 6FR13,5 12REC		01
03	0541050462	FIXING HUB COMPLETE DISC	13	01
04	0531067063	SPRING GUIDE		01
05	0503010023	3/4" SPRING WASHER		03
06	0503010922	3/4" X 2" BOLT		03
07	0501012140	FLAT WASHER 16,50 X 40 X 4,00 ZN		06
08	0503013389	5/8" SELF LOCKING NUT		06
09	0503012699	BOLT 5/8NC X 2 CAPQ G.5 ZN 1K20548		06
10	0501010333	1.3/4" NUT		02
11	0503010361	SPRING PIN		02
12	0521011688	FLAT WASHER		02
13	0501315413	AXIS 31.75 X 85 HOLE 80		01
14	0503010839	03"X 0.6" SPRING PIN		01
15	0501017779	FLAT WASHER 32 X 60 X 4,75		01
16	0503010311	1/2" X 1-1/4" BOLT		06
17	0503010019	1/2" SPRING WASHER		06
18	0531067071	FRONT LOWER CENTER JOINT		01
19	0531067072	LEFT FRONT CENTER JOINT ARM		01
20	0501315438	AXIS 1.1/2 X 395		01
21	0531067073	LEFT FRONT CENTER JOINT		01
22	0501315415	LARGER CRANK GUIDE		01
23	0503011268	3/8" X 2-1/2" BOLT		01
24	0503015135	FLAT WASHER 10 X 18 X 2		02
25	0503010026	3/8" NUT		01



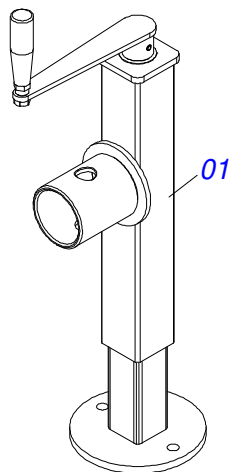
Item	Code	Description	See page	QT
01	0531067087	LEFT FRONT FRAME		01
02	1902020542	BLOCK 125 X 80 X 160		20
03	0501319768	FLANGE COVER		01
04	0503011172	BOLT 1/2 UNC X 2.1/2 C S G.5 ZN		01
05	0503010920	1/2 UNC X 1.1/2 C S G.5 ZN BOLT		03
06	0503010589	1/2" UNC SELF ADJUSTING NUT		04



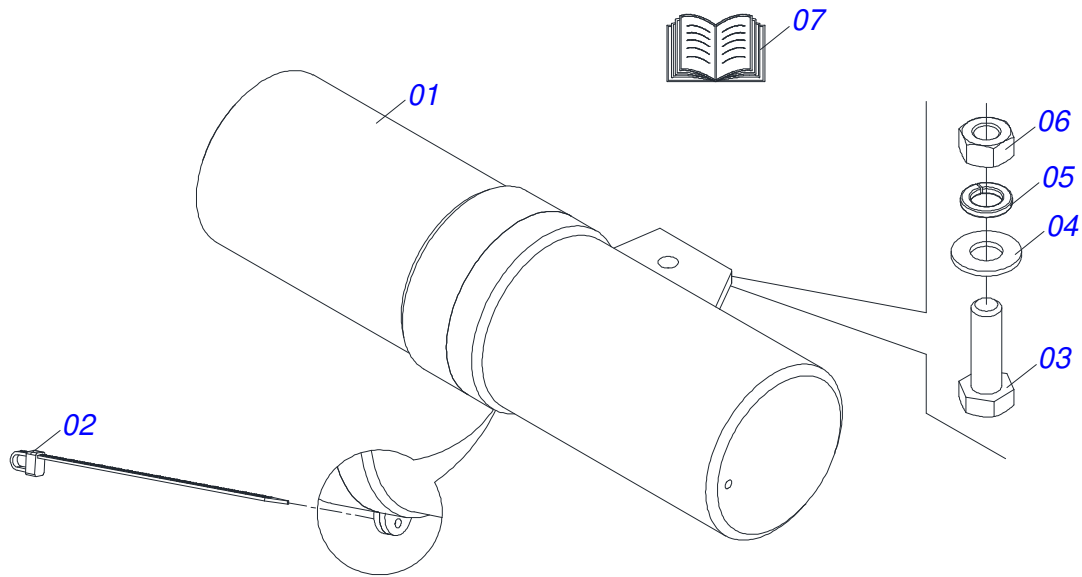
Item	Code	Description	See page	QT
01	0531045394	RIGHT FRONT CUTTING DISC SET	15	04
02	0611029001	DRCP C225 34X9 C85AF02 6FR13,5 12REC		01
03	0541050462	FIXING HUB COMPLETE DISC	13	01
04	0531067075	RIGHT FRONT CENTER JOINT ARM		01
05	0531067063	SPRING GUIDE		01
06	0503033826	SPRING 48X92,44X300X22,22		01
07	0501010333	1.3/4" NUT		02
08	0501315413	AXIS 31.75 X 85 HOLE 80		01
09	0503010839	03"X 0.6" SPRING PIN		01
10	0501017779	FLAT WASHER 32 X 60 X 4,75		01
11	0501315415	LARGER CRANK GUIDE		01
12	0503011268	3/8" X 2-1/2" BOLT		01
13	0503010026	3/8" NUT		01
14	0503015135	FLAT WASHER 10 X 18 X 2		02
15	0521011688	FLAT WASHER		02
16	0503010361	SPRING PIN		02
17	0501410032	AXIS 1.1/2 X 215		01
18	0541053559	RIGHT FRONT FRAME SEMI ASSEMBLED	20	01
19	0503010922	3/4" X 2" BOLT		03
20	0503010019	1/2" SPRING WASHER		06
21	0503010311	1/2" X 1-1/4" BOLT		06



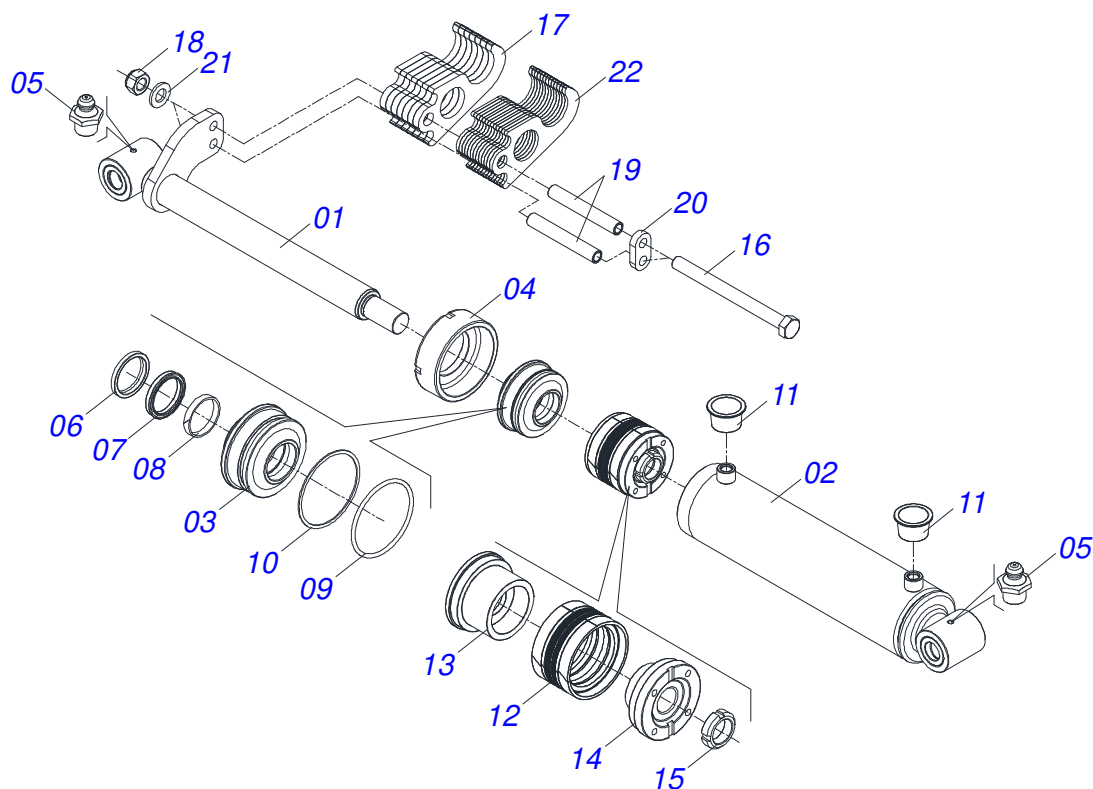
Item	Code	Description	See page	QT
01	0531067088	RIGHT FRONT FRAME		01
02	1902020542	BLOCK 125 X 80 X 160		20
03	0501319768	FLANGE COVER		01
04	0503010920	1/2 UNC X 1.1/2 C S G.5 ZN BOLT		03
05	0503010589	1/2" UNC SELF ADJUSTING NUT		04
06	0503011172	BOLT 1/2 UNC X 2.1/2 C S G.5 ZN		01



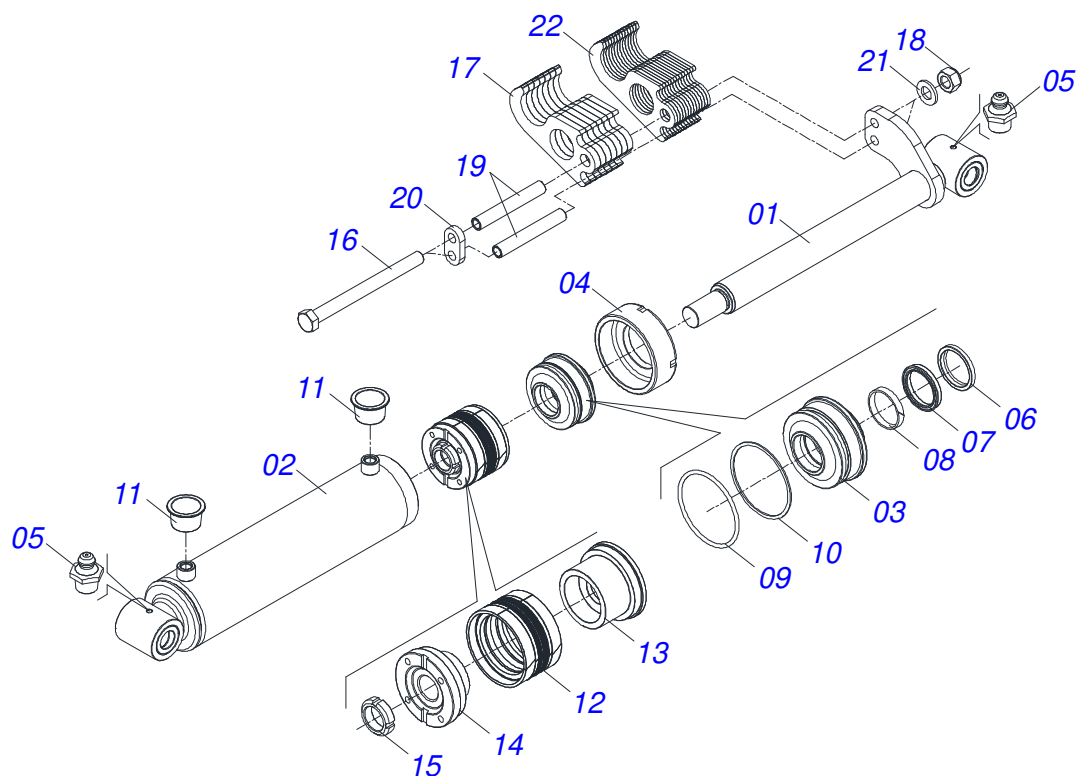
Item	Code	Description	See page	QT
01	0503062227	DRAWBAR JACK		01



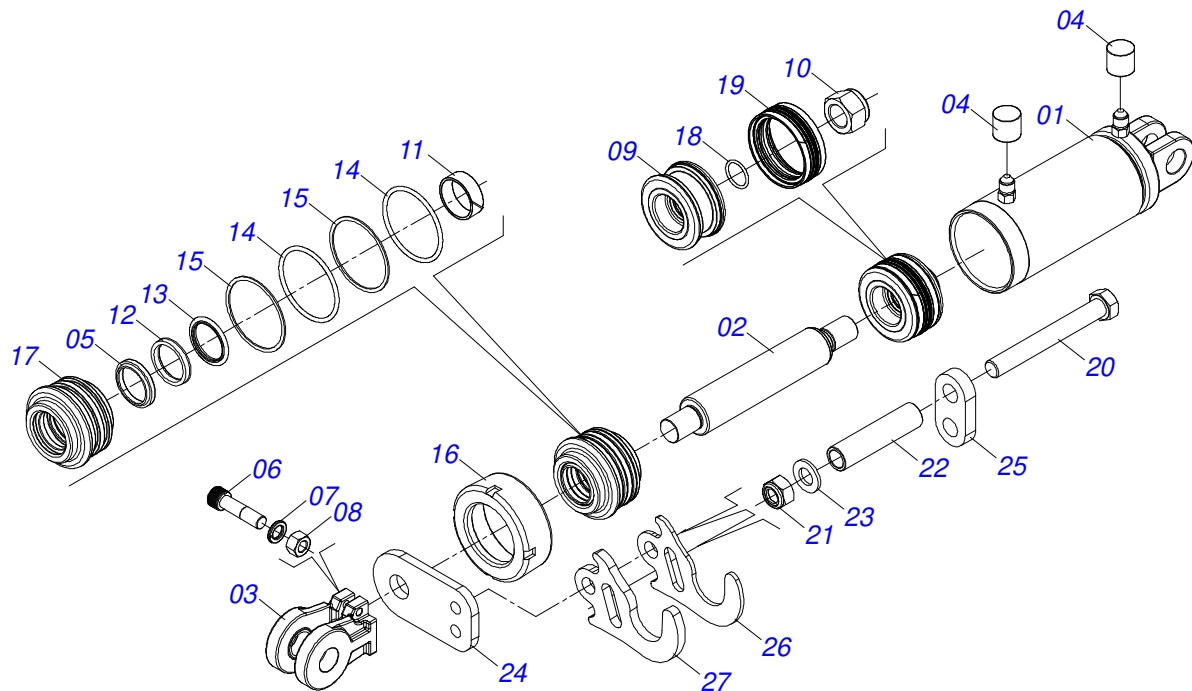
Item	Code	Description	See page	QT
01	0503060100	SUPPORT INSTRUCTION MANUAL		01
02	0503010267	NYLON CLAMP 3,60 X 1,3 X 155 MM		01
03	0503010363	BOLT 5/16 UNC X 1 C S G.2 ZN		01
04	0501010694	FLAT WASHER 32,50 X 75 X 4,75		01
05	0503010179	LOCK WASHER 5/16 ZN 1K01528		01
06	0503010337	NUT 5/16 UNC G.5 ZN		01
07	0511034990	PLASTIC COVER WITH INSTRUCTIONS MANUAL		01



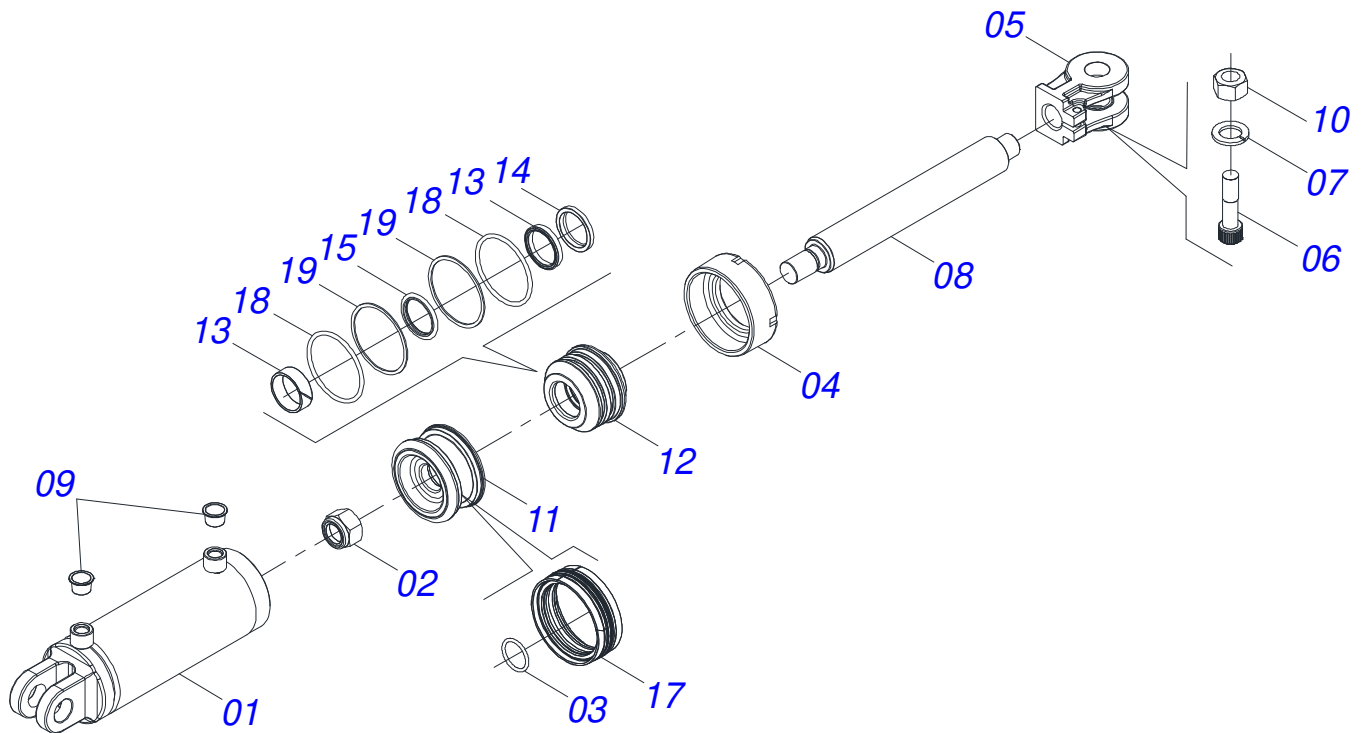
Item	Code	Description	See page	QT
01	0531066551	LEFT EXTENDER 53.98 X 611		01
02	0521061685	114,30 X 500 CYLINDER CASE		01
03	0502012644	RING SUPPORT		01
04	0502011222	END CAP 4 . 1/2"		01
05	0503010002	1800 GREASE FITTING		02
06	0503015715	SCRAPER SEALING		01
07	0503015642	U-CUP SEALING RUUB000970		01
08	0503015641	WEAR RING		01
09	0503011892	O' RING, 2-346 N 3006-9B		01
10	0503011893	BACK-UP RING, 8-346		01
11	0503030384	PLUG N-001		02
12	0503015640	SEALING SELEMASTER		01
13	0561016578	PISTON BODY		01
14	0581015283	BODY		01
15	0503819100	SCREW		01
16	0503014636	BOLT 5/8" UNC X 9 CS G.5 ZN		02
17	0591010867	ROD STOP 202		07
18	0503013389	5/8" SELF LOCKING NUT		02
19	0591010869	BUSHING 16 X 22 X 166		02
20	0591010870	ROD STOP PIN ANCHOR		01
21	0501010301	FLAT WASHER 16 X 29,50 X 3,00		02
22	0591013805	ROD STOP		13



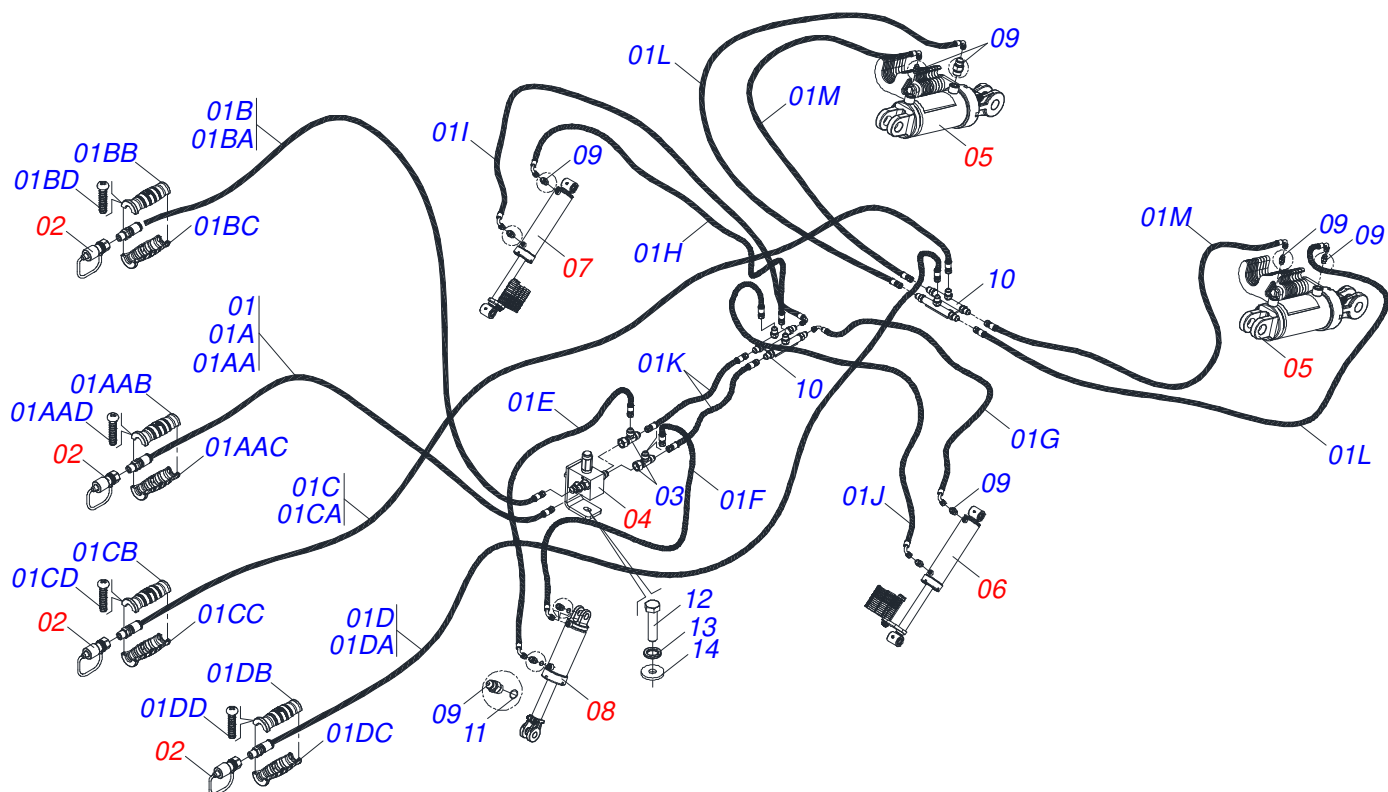
Item	Code	Description	See page	QT
01	0531066550	RIGHT EXTENDER 53.98 X 611		01
02	0521061685	114,30 X 500 CYLINDER CASE		01
03	0502012644	RING SUPPORT		01
04	0502011222	END CAP 4 . 1/2"		01
05	0503010002	1800 GREASE FITTING		02
06	0503015715	SCRAPER SEALING		01
07	0503015642	U-CUP SEALING RUUB000970		01
08	0503015641	WEAR RING		01
09	0503011892	O' RING, 2-346 N 3006-9B		01
10	0503011893	BACK-UP RING, 8-346		01
11	0503030384	PLUG N-001		02
12	0503015640	SEALING SELEMASTER		01
13	0561016578	PISTON BODY		01
14	0581015283	BODY		01
15	0503819100	SCREW		01
16	0503014636	BOLT 5/8" UNC X 9 CS G.5 ZN		02
17	0591010867	ROD STOP 202		07
18	0503013389	5/8" SELF LOCKING NUT		02
19	0591010869	BUSHING 16 X 22 X 166		02
20	0591010870	ROD STOP PIN ANCHOR		01
21	0501010301	FLAT WASHER 16 X 29,50 X 3,00		02
22	0591013805	ROD STOP		13



Item	Code	Description	See page	QT
01	0531060927	CYLINDER CASE 101,60 X 230		01
02	0591013802	HYDRAULIC CYLINDER TURNBUCKLE 50,80 X 313,50		01
03	0502040747	32.54 CLEVIS CLAMP		01
04	0503030384	PLUG N-001		02
05	0503010039	D-2000 SCRAPER RING		01
06	0503011094	BOLT 3/8" UNC X 2" C C S I 12.9		01
07	0503011443	SPRING WASHER 3/8"		01
08	0503010026	3/8" NUT		01
09	0502012820	2" X 4" PISTON		01
10	0503010817	1.1/4" SELF LOCKING NUT		01
11	0503018025	RING GUIDE W2-2250-750		01
12	0503018026	GASKET 1870-2000-375 B POLYMAX		01
13	0503018024	RING BS OD050805200171D-BR		01
14	0503010338	2-342 N 3006-9B O'RING		02
15	0503011061	8-342 BACK-UP RING		02
16	0502012822	END CAP 4"		01
17	0502012821	2" X 4" RING SUPPORT		01
18	0503018029	O'RING 2-217 N 3006 90B		01
19	0503015633	SELEMASTER SEALING		01
20	0501013867	BOLT 5/8" UNC X 6 CS G.5 ZN		02
21	0503013389	5/8" SELF LOCKING NUT		02
22	0591010848	16 X 22 X 103 BUSHING		02
23	0501010301	FLAT WASHER 16 X 29,50 X 3,00		02
24	0591010844	ROD STOP SUPPORT		01
25	0591010870	ROD STOP PIN ANCHOR		01
26	0591013800	ROD STOP		08
27	0591010847	ROD STOP, 179		04
28	0511032211	CYLINDER REPAIR KIT 2" X 4"		01

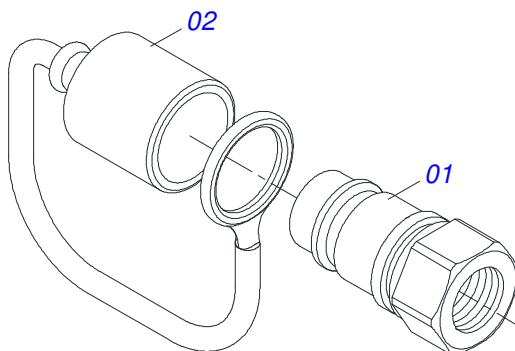


Item	Code	Description	See page	QT
01	0521066698	CYLINDER CASE ASSY		01
02	0503010817	1.1/4" SELF LOCKING NUT		01
03	0503018029	O'RING 2-217 N 3006 90B		01
04	0502012822	END CAP 4"		01
05	0502040747	32.54 CLEVIS CLAMP		01
06	0503011094	BOLT 3/8" UNC X 2" C C S I 12.9		01
07	0503011443	SPRING WASHER 3/8"		01
08	0581011007	HYDRAULIC CYLINDER TURNBUCKLE		01
09	0503030384	PLUG N-001		02
10	0503010026	3/8" NUT		01
11	0502012820	2" X 4" PISTON		01
12	0502012821	2" X 4" RING SUPPORT		01
13	0503018025	RING GUIDE W2-2250-750		01
14	0503010039	D-2000 SCRAPER RING		01
15	0503018026	GASKET 1870-2000-375 B POLYMAX		01
16	0503018024	RING BS OD050805200171D-BR		01
17	0503015633	SELEMASTER SEALING		01
18	0503010338	2-342 N 3006-9B O'RING		02
19	0503011061	8-342 BACK-UP RING		02
20	0511032211R	HYDRAULIC CYLINDER REPAIR KIT		01

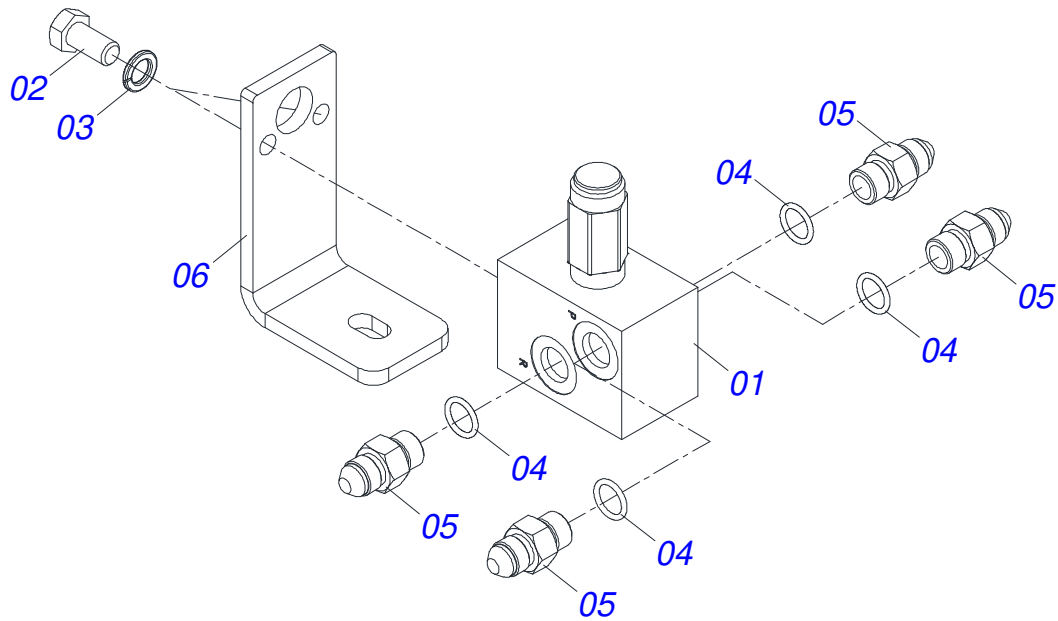


Item	Code	Description	See page	QT
01	0541050104	HOSE SET		01
01A	0541050103	HOSE 3/8 X 5200 TR-TM GREEN/RED		01
01AA	0501082867	HOSE 3/8 X 5200 TR-TM		01
01AAB	0503034495	HYDRAULIC HOSE GRIP (RED)		01
01AAC	0503034497	HYDRAULIC HOSE GRIP (GREEN)		01
01AAD	0503018952	PH 2,5 X 10 ZB PLASTIC BOLT		03
01B	0541050102	HOSE 3/8 X 5200 TR-TM GREEN/BLUE		01
01BA	0501082867	HOSE 3/8 X 5200 TR-TM		01
01BB	0503034494	HYDRAULIC HOSE GRIP (BLUE)		01
01BC	0503034497	HYDRAULIC HOSE GRIP (GREEN)		01
01BD	0503018952	PH 2,5 X 10 ZB PLASTIC BOLT		03
01C	0541050101	HOSE 3/8 X 9550 TR-TM GRAY/RED		01
01CA	0501082866	HOSE 3/8 X 9550 TR-TM		01
01CB	0503034489	HYDRAULIC HOSE GAUNTLET (GRAY)		01
01CC	0503034495	HYDRAULIC HOSE GRIP (RED)		01
01CD	0503018952	PH 2,5 X 10 ZB PLASTIC BOLT		06
01D	0521056251	HOSE 3/8 X 9550 TR-TM GRAY / BLUE		01
01DA	0501082243	HOSE 3/8 X 9550 TR-TM		01
01DB	0503034489	HYDRAULIC HOSE GAUNTLET (GRAY)		01
01DC	0503034494	HYDRAULIC HOSE GRIP (BLUE)		01
01DD	0503018952	PH 2,5 X 10 ZB PLASTIC BOLT		06
01E	0501080302	3/8" X 55" TR-TC HOSE		01
01F	0501080348	3/8" X 47,24" TR-TC HOSE		01
01G	0501080449	3/8" X 1500 TC-TC HOSE		01
01H	0501081987	HOSE 3/8 X 1550 TR-TC		01
01I	0501080437	3/8 X 1900 TC-TC HOSE		01
01J	0501080431	3/8" X 1900 TR-TC HOSE ASSY		01
01K	0501081747	HOSE 3/8 X 3200 TR-TR		02
01L	0501080447	3/8" X 122" TR-TC HOSE ASSY		02
01M	0501080570	HOSE		02
02	0501053834	MALE QUICK COUPLER	28	04
03	0503011968	NUT 3/4" 8R6X-S T ADAPTER WITH SWIVEL		02

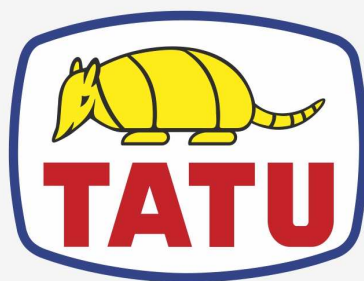
Item	Code	Description	See page	QT
04	0541050913	COMPLETE VALVE	29	01
05	0531040071	HYDRAULIC CYLINDER 50,80 X 101,60 X 430 X 115	25	02
06	0531045211	LEFT HYDRAULIC CYLINDER 53.98X114.30X674X346	23	01
07	0531045210	RIGHT HYDRAULIC CYLINDER 53.98X114.30X674X346	24	01
08	0511058521	2" X 4" X 20" X 6" HYDRAULIC CYLINDER	26	01
09	0561014252	3/4" UNF X 1" NIPPLE WITH REDUCTION		10
10	0501068706	DOUBLE CONNECTION		02
11	0503010190	2-114 N 3006-9B O'RING		02
12	0503011173	7/16" X 2" BOLT		01
13	0503010180	7/16" SPRING WASHER		01
14	0501012803	FLAT WASHER 12 X 30 X 3,00 ZN		01



Item	Code	Description	See page	QT
01	0503011627	MALE QUICK COUPLER AGR 1/2 NPT		01
02	0503011882	MALE QUICK COUPLER CAP		01



Item	Code	Description	See page	QT
01	0503010919	DISCHARGE VALVE		01
02	0503011334	3/8 UNC X 3/4 CS G.5 ZN BOLT		02
03	0503010025	3/8 SPRING WASHER		02
04	0503010190	2-114 N 3006-9B O'RING		04
05	0501010617	NIPLE 3/4" NF X 3/4" NF HEX. 7/8" X 44		04
06	0501313271	VALVE SUPPORT		01



MARCHESAN

Technical Publications | Elaboration and Revision

ALESSANDRA PATRICIA KAWAHARA CARRILI

www.marchesan.com.br

