

**DOUBLE OFFSET DISK HARROW**

**DODH-F 7008 - 120D**  
**DODH-F 7008 - 120D**

**Code:** 0501093904  
**Series:** S-0324  
**Revision:** 00  
**Revision Date:** JUNE/2024

# PARTS CATALOGUE



**MARCHESAN**



# PRODUCTS

Code	Working Width	Description
0102430758		DODH-F 7008 120X24X4,50 DL DMO FF C/PN S-0324
0102430759		DODH-F 7008 120X24X4,75 DL DMO E1.1/2 ESP S-0324

## ATTENTION: IMPORTANT

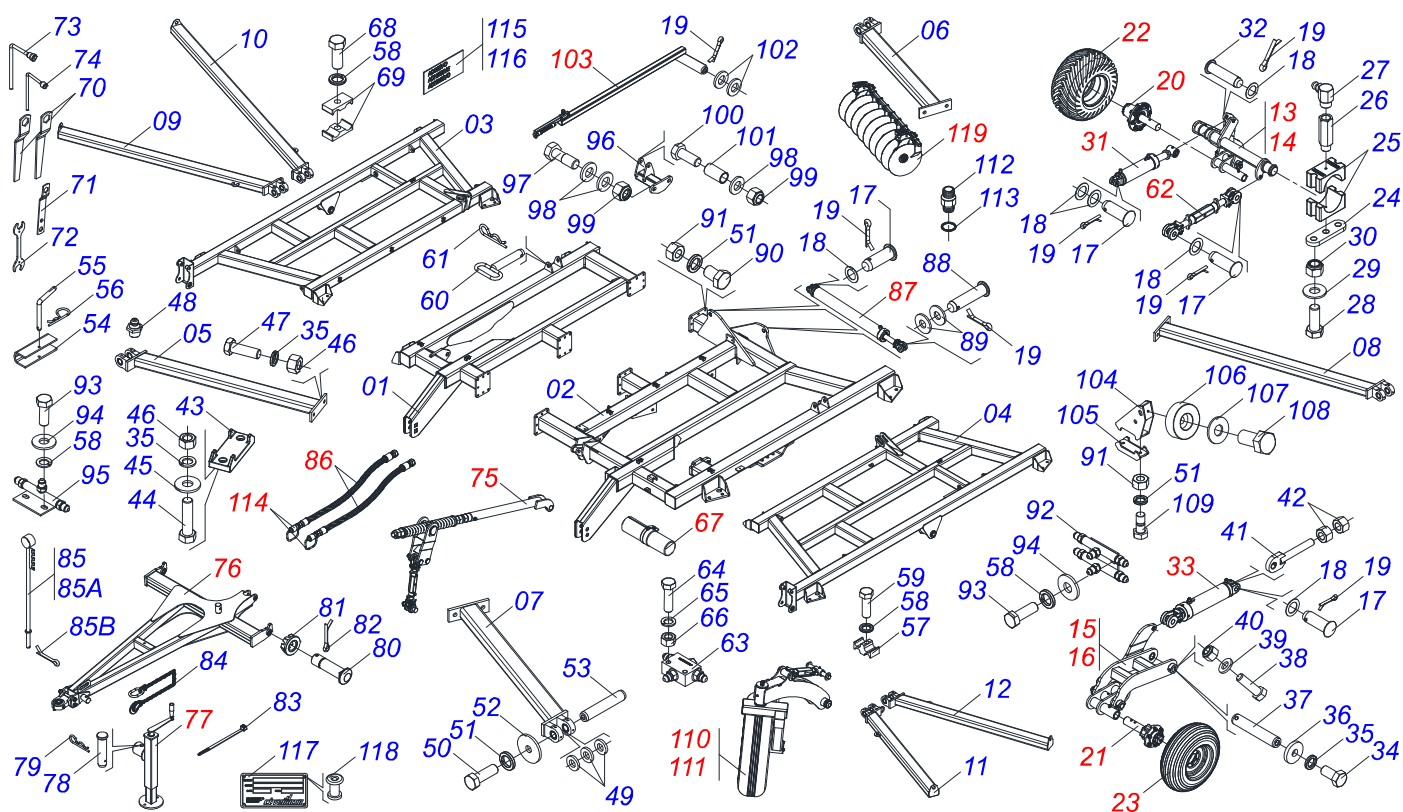
Marchesan S.A. reserves the right to improve and/or modify the technical features of its products, without obligation to do the same with those products already sold and without prior knowledge of the dealer or the customer. The photos are only illustrative.



**MARCHESAN**

# INDEX

0909097279	FRAME ASSY	.....	1
0521051183	RIGHT CENTRAL CARRYNG WHEELS SEMI MOUNTED	.....	2
0521051184	LEFT CENTRAL CARRYNG WHEELS SEMI MOUNTED	.....	3
0521051186	RIGHT SIDE CARRYNG WHEELS	.....	4
0521051187	LEFT SIDE CARRYNG WHEELS	.....	5
0501055263	CARRYING-WHEELS	.....	6
0511045580	CARRYING WHEEL HUB ASSY	.....	7
0503060102	WHEEL AND TIRE 400/60 - 14L RIGHT	.....	8
0503060181	WHEEL AND TIRE	.....	9
0521045650	HYDRAULIC CYLINDER	.....	10
0521045646	HYDRAULIC CYLINDER	.....	11
0501057418	ESTABILIZER ASSY	.....	12
0521045848	VALVE LIMITER COURSE	.....	13
0521051446	ASSY PORT MANUAL INSTRUCCION	.....	14
0909097281	STABILIZER ASSY	.....	15
0521051181	HEADER WITH HITCH	.....	16
0511048088	DRAWBAR JACK	.....	17
0521051196	HOSE GAME	.....	18
0511045827	HYDRAULIC CYLINDER 2" X 5" X 1292 X 933	.....	19
0521047426	DEPTH CONTROL	.....	20
0909097282	STABILIZER RIGHT CARRYNG WHEELS ASSY	.....	21
0909097283	STABILIZER LEFT CARRYNG WHEELS ASSY	.....	22
0511051845	RIGHT FRONT CARRYING-WHEELS	.....	23
0503060091	L 29.5" X 0.63"-10L WHEEL AND TIRE ASSY	.....	24
0501047699	ESTABILIZER ASSY	.....	25
0511051796	RIGHT FRONT CARRYING-WHEELS	.....	26
0511051846	FRONT CARRYING-WHEELS	.....	27
0511051797	LEFT FRONT CARRYING-WHEELS	.....	28
0501053834	MALE QUICK COUPLER	.....	29
0909097280	DISC GANG ASSY	.....	30
0531042480	196 X 1.1/2 DMO AGRICULTURAL BEARING WITH PROTECTION SUPPORT	.....	31
0531055221	196 X 1.1/2 IMP DMO AGRICULTURAL BEARING	.....	32



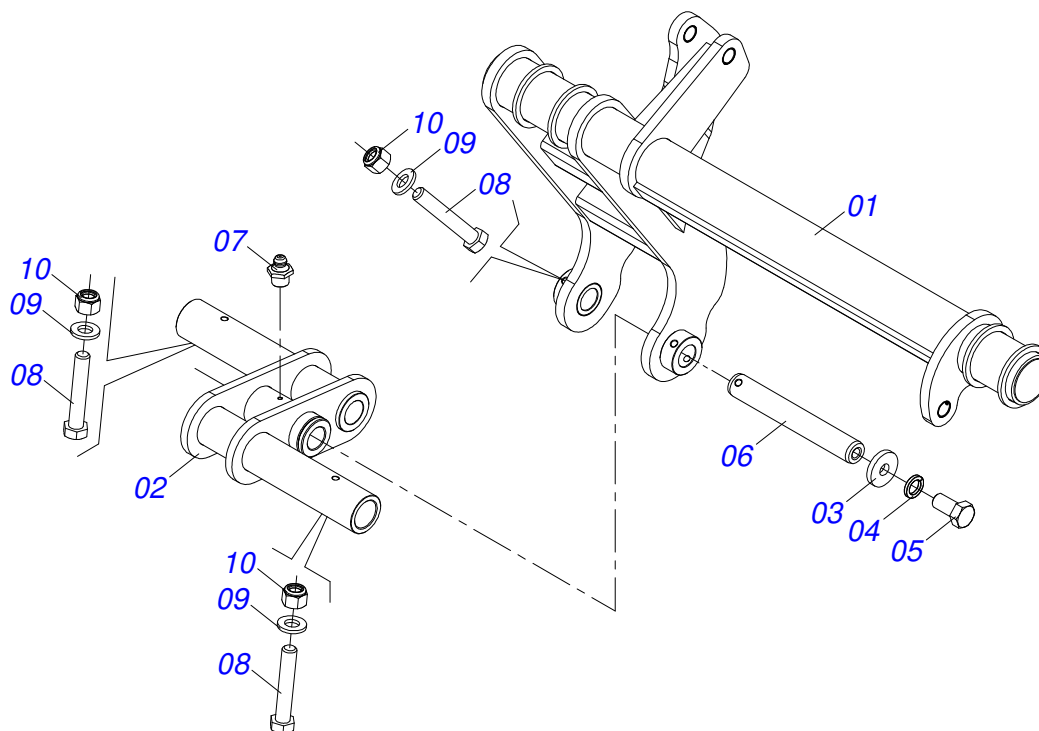
Item	Code	Description	See page	QT
001	0521067886	CENTRAL RIGHT FRAME		01
002	0521067884	LEFT CENTRAL FRAME		01
003	0511068429	RIGHT SIDE FRAME		01
004	0511068430	LEFT SIDE FRAME		01
005	0511068461	REAR FRAME		01
006	0511068463	REAR FRAME		01
007	0511068460	REAR FRAME		01
008	0511068462	REAR FRAME		01
009	0521062355	SIDE REAR FRAME		01
010	0521062357	REAR FRAME		01
011	0521062356	SIDE REAR FRAME		01
012	0521062358	REAR FRAME		01
013	0521051183	RIGHT CENTRAL CARRYNG WHEELS SEMI MOUNTED	2	01
014	0521051184	LEFT CENTRAL CARRYNG WHEELS SEMI MOUNTED	3	01
015	0521051186	RIGHT SIDE CARRYNG WHEELS	4	01
016	0521051187	LEFT SIDE CARRYNG WHEELS	5	01
017	0521012538	1.2" X 3.5" COUPLING SHAFT		08
018	0501019435	32 X 50 X 1.5 FLAT WASHER		12
019	0503010523	1/4 X 2 SPLIT PIN		10
020	0501055263	CARRYING-WHEELS	6	04
021	0511045580	CARRYING WHEEL HUB ASSY	7	04
022	0503060102	WHEEL AND TIRE 400/60 - 14L RIGHT	8	04
023	0503060181	WHEEL AND TIRE	9	04
024	0501015593	SUPPORT PLATE		02
025	0502010673	BEARING SEMI		04
026	0521014316	EXTENSION GREASE FITTING 1/8 BSP X 40		04
027	0503010004	1890 GREASE FITTING		04
028	0503013935	1 UNC X 9 C S G.8 ZN BOLT		04
029	0501010690	FLAT WASHER 26 X 58 X 4,75		04
030	0503018754	NUT 1 - 8 UNC - 2B G8		04

FRAME ASSY

Item	Code	Description	See page	QT
031	0521045650	HYDRAULIC CYLINDER	10	02
032	0521010547	1.2" X 6.5" COUPLING SHAFT		02
033	0521045646	HYDRAULIC CYLINDER	11	02
034	0503010953	BOLT 1 UNC X 2 C S G.5 ZN		02
035	0503010012	1" SPRING WASHER		26
036	0501016381	FLAT WASHER		02
037	0581014564	JUNCTION SHAFT		02
038	0503010706	BOLT 1/2 UNC X 4.1/2 C S G.5 ZN		02
039	0521014188	FLAT WASHER		02
040	0503010589	1/2" UNC SELF ADJUSTING NUT		02
041	0501063989	HYDRAULIC CYLINDER REGULATOR		02
042	0501010110	1.1/2 NC 6FPP 2.3/8 HEXAGONAL NUT		04
043	0502012323	BRACKET FIXER		12
044	0503013113	1" X 6" BOLT		24
045	0501016545	FLAT WASHER		24
046	0501010059	1.5/8 NUT		24
047	0501010276	BOLT		04
048	0503010002	1800 GREASE FITTING		16
049	0551014246	WASHER SPACER		12
050	0501011544	BOLT 3/4 UNC X 1.1/2 C S G.5 ZN		08
051	0503010023	3/4" SPRING WASHER		08
052	0511016162	FLAT WASHER		08
053	0551013583	COUPLING SHAFT		04
054	0571014363	TRANSPORT LOCK		02
055	0541016844	FIXER LOCK		02
056	0503030285	HITCH PIN CLIP		02
057	0502012702	BODY SUPPORT CLAMP		14
058	0503010180	7/16" SPRING WASHER		14
059	0503012555	7/16" UNC X 2" CS RT G.7 ZN SCREW		14
060	0521060352	LOCK AXLE FRAME		02
061	0503031035	HITCH PIN CLIP		02
062	0501057418	ESTABILIZER ASSY	12	01
063	0521045848	VALVE LIMITER COURSE	13	01
064	0503011236	3/8" X 2" BOLT		02
065	0503010025	3/8" SPRING WASHER		02
066	0503010026	3/8" NUT		02
067	0521051446	ASSY PORT MANUAL INSTRUCCION	14	01
068	0503011103	BOLT 7/16" UNC X 2.1/2" C S G.5 ZN		01
069	0502010477	HOSE CLAMP		02
070	0501011431	1-3/4" GANG BOLT WRENCH		02
071	0511018451	5/8" X 3/4" X 1" UNIVERSAL		01
072	0541015451	WRENCH 2.3/8 X 2.3/4		01
073	0501061045	1" WRENCH CYLINDRICAL		01
074	0503016140	3/4" WRENCH CABLE CYLINDRICAL		01
075		STABILIZER ASSY	15	
076	0521051181	HEADER WITH HITCH	16	01
077	0511048088	DRAWBAR JACK	17	01
078	0561014251	COUPLING SHAFT		01
079	0503030012	HITCH PIN CLIP		01
080	0551013708	COUPLING SHAFT		02
081	0501011301	1.1/2" UNC 6FPP 2.5/16" NUT		02
082	0503010010	1/4" X 2.1/2" SPLIT PIN		02
083	0503013100	NYLON CLAMP 4,8 X 1,3 X 200 MM		16
084	0503013150	1300 X 3/8" CHAIN		01
085	0521059303	HOSE HOLDER		01
085A	0531061120	HOSE SUPPORT		01
085B	0503010523	1/4 X 2 SPLIT PIN		01
086	0521051196	HOSE GAME	18	01
087	0511045827	HYDRAULIC CYLINDER 2" X 5" X 1292 X 933	19	02
088	0521010547	1.2" X 6.5" COUPLING SHAFT		02
089	0501017779	FLAT WASHER 32 X 60 X 4,75		04

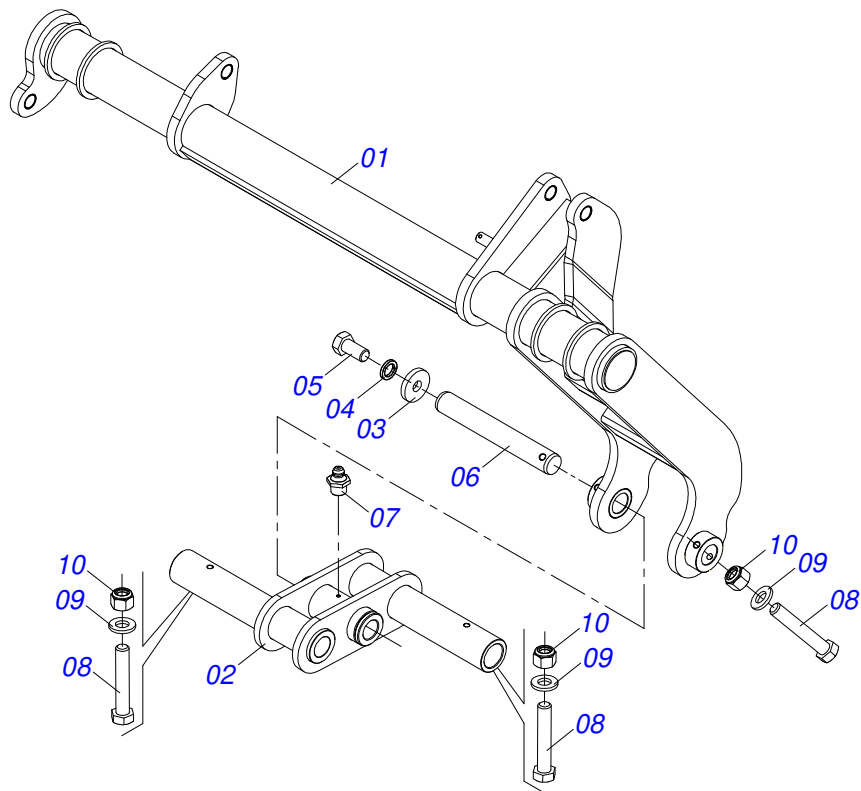
Item	Code	Description	See page	QT
090	0501010125	3/4" X 2-1/2" BOLT		21
091	0503010014	3/4" ZN G.5 (HEAVY) UNC HEX NUT		21
092	0501068706	DOUBLE CONNECTION		01
093	0503011338	BOLT 7/16" UNC X 1" CS G.5 ZN		04
094	0501012803	FLAT WASHER 12 X 30 X 3,00 ZN		04
095	0501068707	SIMPLE CONNECTION		01
096	0521067895	DEPTH CONTROL SUPPORT		01
097	0503011172	BOLT 1/2 UNC X 2.1/2 C S G.5 ZN		02
098	0521014188	FLAT WASHER		09
099	0503010589	1/2" UNC SELF ADJUSTING NUT		05
100	0503010479	BOLT		01
101	0581014588	13 X 16 X 41,50 GLOVE		01
102	0501011445	FLAT WASHER		02
103	0521047426	DEPTH CONTROL	20	01
104	0521060351	BEATER FRAME		02
105	0511068361	FIXER		02
106	0581011153	FRAME BEATER		02
107	0571010265	16,50 X 40 X 3,00 ZN FLAT WASHER		02
108	0503010962	5/8" X 1-1/4" BOLT		02
109	0511016281	3/4" X 8" BOLT		04
110		STABILIZER RIGHT CARRYNG WHEELS ASSY	21	
111		STABILIZER LEFT CARRYNG WHEELS ASSY	22	
112	0501010617	NIPLE 3/4" NF X 3/4" NF HEX. 7/8" X 44		04
113	0503010190	2-114 N 3006-9B O'RING		04
114	0501053834	MALE QUICK COUPLER	29	04
115	0503033038	DANGER DECAL		01
115.	0503031428	ATTENTION READ MANUAL DECAL		01
115..	0503031087	AUTO CONTROL APPROVED DECAL		01
116	0503034521	ADHESIVE LABEL DODH-F		01
116.	0503034727	ADHESIVE LABEL		01
117	0503034003	61 X 118 SERIAL NUMBER TAG		01
118	0503010001	RIVET 3,2 X 5,5		04
119		DISC GANG ASSY	30	

RIGHT CENTRAL CARRYNG WHEELS SEMI MOUNTED



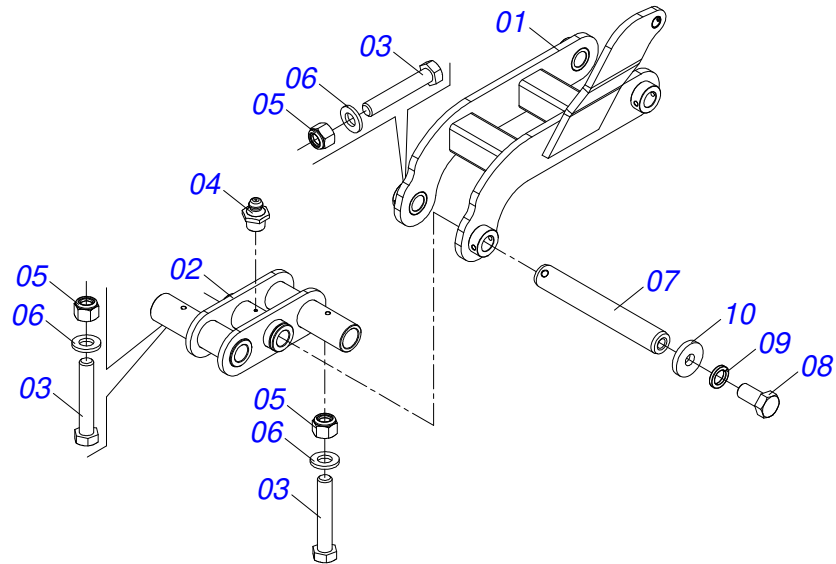
Item	Code	Description	See page	QT
01	0521067887	RIGHT CENTRAL CARRYNG WHEELS		01
02	0521062878	FRAME CENTRAL ROCKER		01
03	0501016381	FLAT WASHER		01
04	0503010012	1" SPRING WASHER		01
05	0503010953	BOLT 1 UNC X 2 C S G.5 ZN		01
06	0581014564	JUNCTION SHAFT		01
07	0503010002	1800 GREASE FITTING		02
08	0503010706	BOLT 1/2 UNC X 4.1/2 C S G.5 ZN		03
09	0521014188	FLAT WASHER		03
10	0503010589	1/2" UNC SELF ADJUSTING NUT		03

LEFT CENTRAL CARRYNG WHEELS SEMI MOUNTED

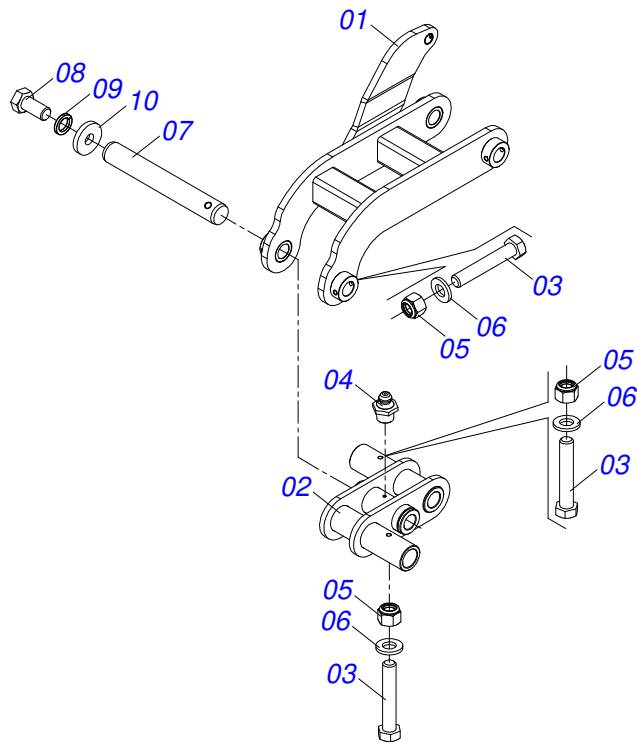


Item	Code	Description	See page	QT
01	0521067888	LEFT CENTRAL CARRYNG WHEELS		01
02	0521062878	FRAME CENTRAL ROCKER		01
03	0501016381	FLAT WASHER		01
04	0503010012	1" SPRING WASHER		01
05	0503010953	BOLT 1 UNC X 2 C S G.5 ZN		01
06	0581014564	JUNCTION SHAFT		01
07	0503010002	1800 GREASE FITTING		02
08	0503010706	BOLT 1/2 UNC X 4.1/2 C S G.5 ZN		03
09	0521014188	FLAT WASHER		03
10	0503010589	1/2" UNC SELF ADJUSTING NUT		03

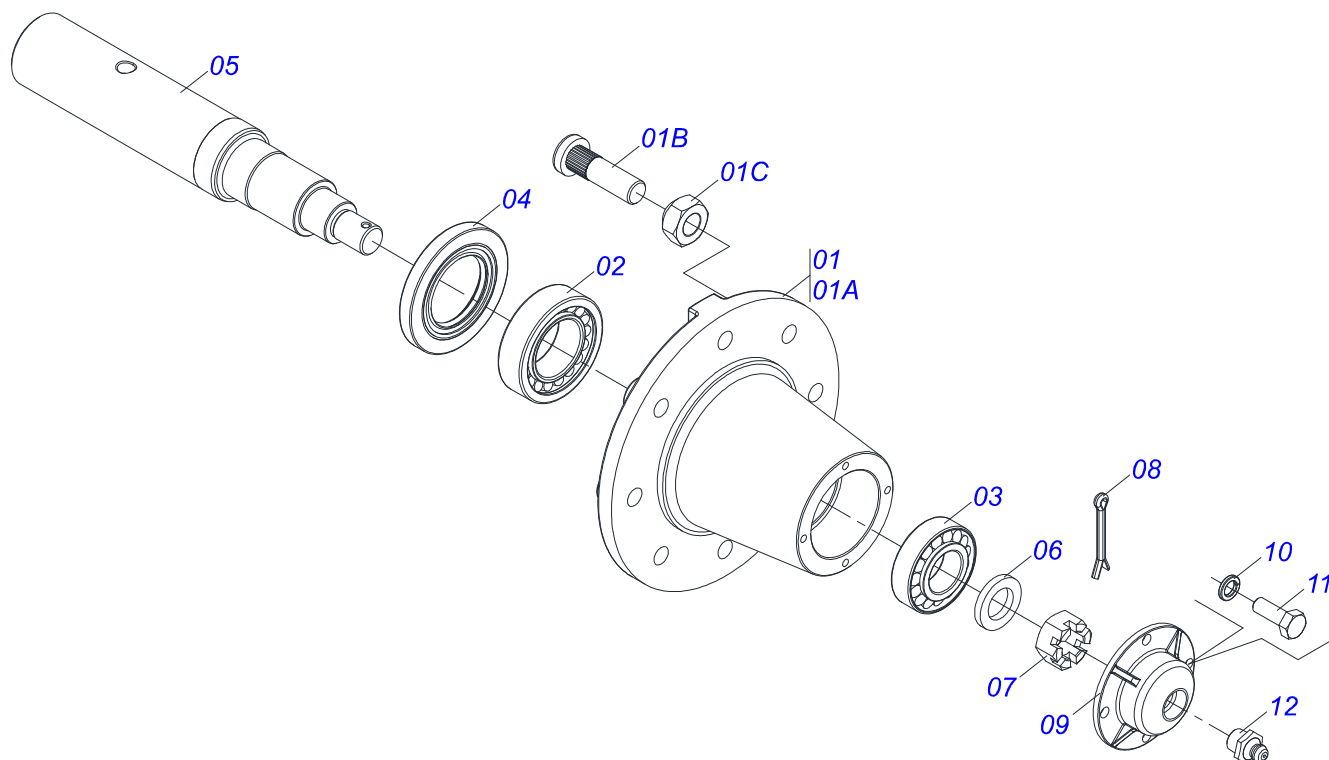




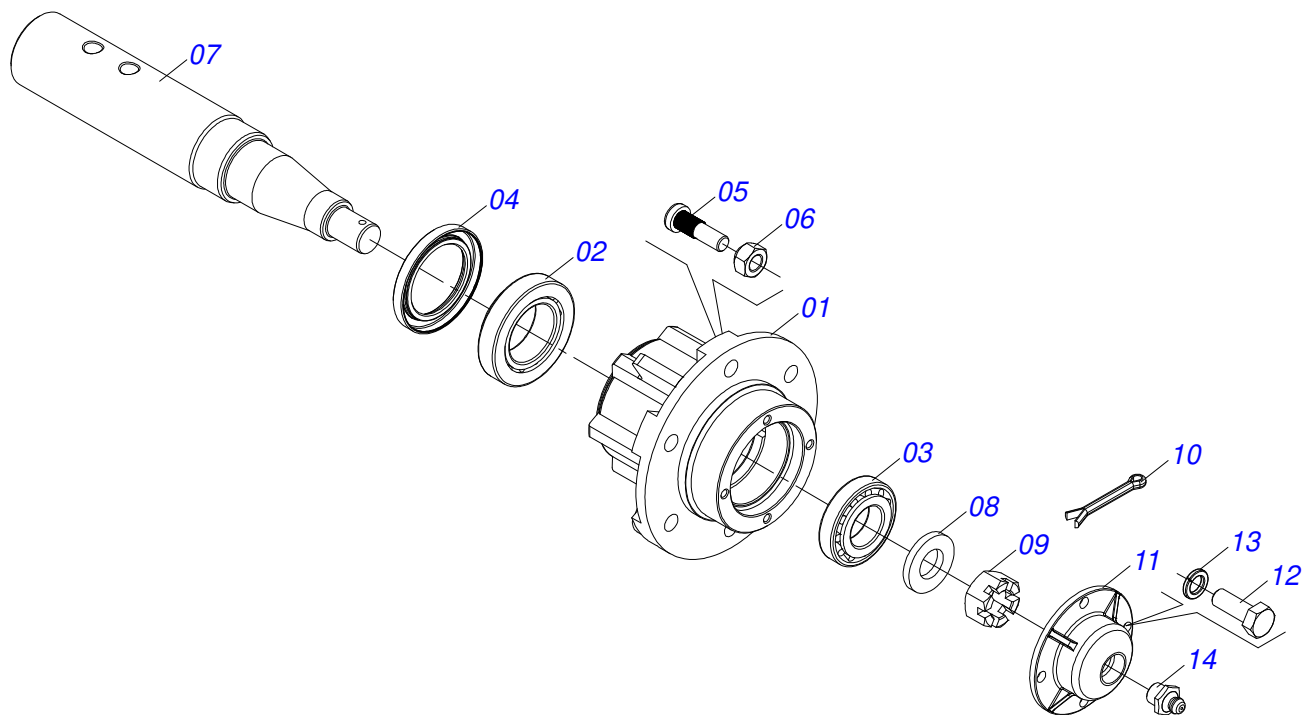
Item	Code	Description	See page	QT
001	0521067889	RIGHT SIDE CARRYNG WHEELS		01
002	0511069790	ROCKER		01
003	0503010706	BOLT 1/2 UNC X 4.1/2 C S G.5 ZN		03
004	0503010002	1800 GREASE FITTING		02
005	0503010589	1/2" UNC SELF ADJUSTING NUT		03
006	0521014188	FLAT WASHER		03
007	0581014564	JUNCTION SHAFT		01
008	0503010953	BOLT 1 UNC X 2 C S G.5 ZN		01
009	0503010012	1" SPRING WASHER		01
010	0501016381	FLAT WASHER		01



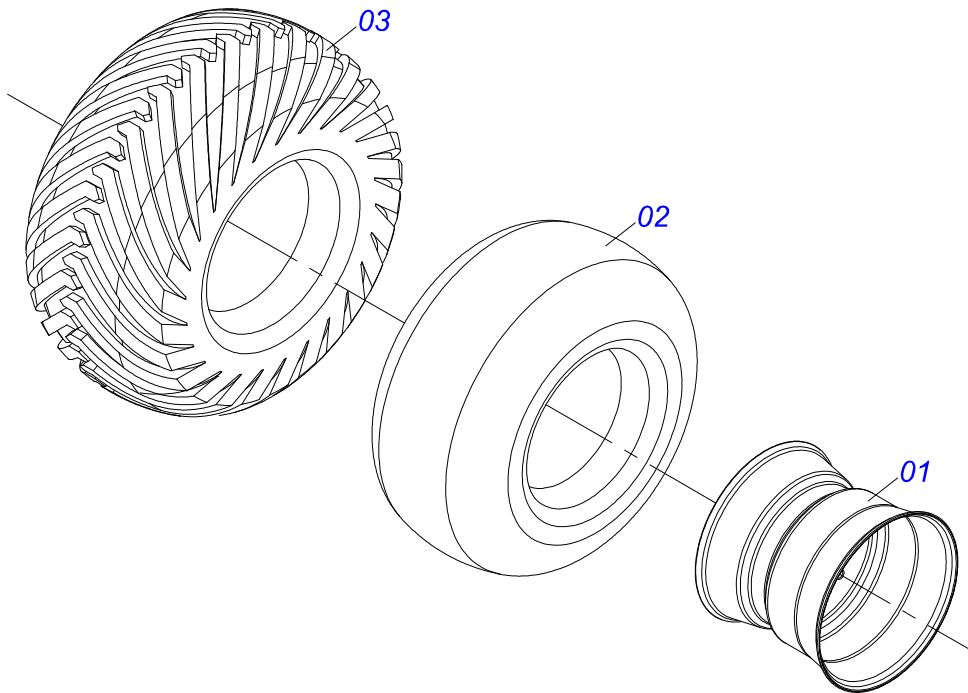
Item	Code	Description	See page	QT
01	0521067890	LEFT SIDE CARRYNG WHEELS		01
02	0511069790	ROCKER		01
03	0503010706	BOLT 1/2 UNC X 4.1/2 C S G.5 ZN		03
04	0503010002	1800 GREASE FITTING		02
05	0503010589	1/2" UNC SELF ADJUSTING NUT		03
06	0521014188	FLAT WASHER		03
07	0581014564	JUNCTION SHAFT		01
08	0503010953	BOLT 1 UNC X 2 C S G.5 ZN		01
09	0503010012	1" SPRING WASHER		01
10	0501016381	FLAT WASHER		01



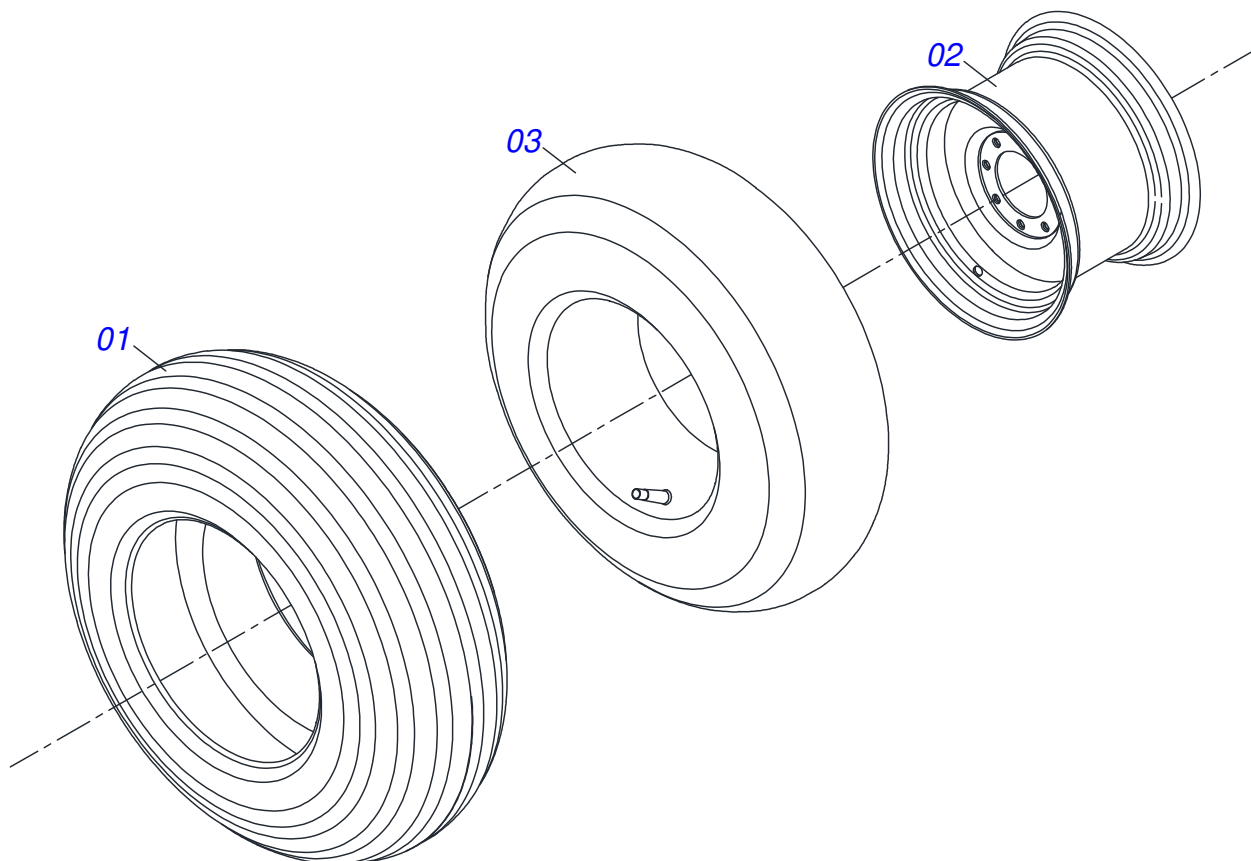
Item	Code	Description	See page	QT
01	0501110738	CARRYING WHEEL HUB 21FT		01
01A	0502012260	TRANSPORT CARRYING-WHEEL HUB		01
01B	0501010186	WHEEL BOLT 5/8" UNF X 2.1/8CR		08
01C	0503010064	5/8 UNF CONIC NUT		08
02	0503010008	3780/3720 ROLLER BEARING		01
03	0503014821	ROLLER BEARING 2780/2720		01
04	0503013314	RETAINER 5166-GB 63,5 X 110 X 13 ARCA		01
05	0511012494	SPINDLE		01
06	0511012492	FLAT WASHER		01
07	0503030009	1" CASTLE NUT		01
08	0503010018	5/32" X 1-1/2" SPLIT PIN		01
09	0502020591	PROTECTION LID		01
10	0503011444	SPRING WASHER 5/16"		04
11	0503010358	5/16" X 5/8" BOLT		04
12	0503010002	1800 GREASE FITTING		01



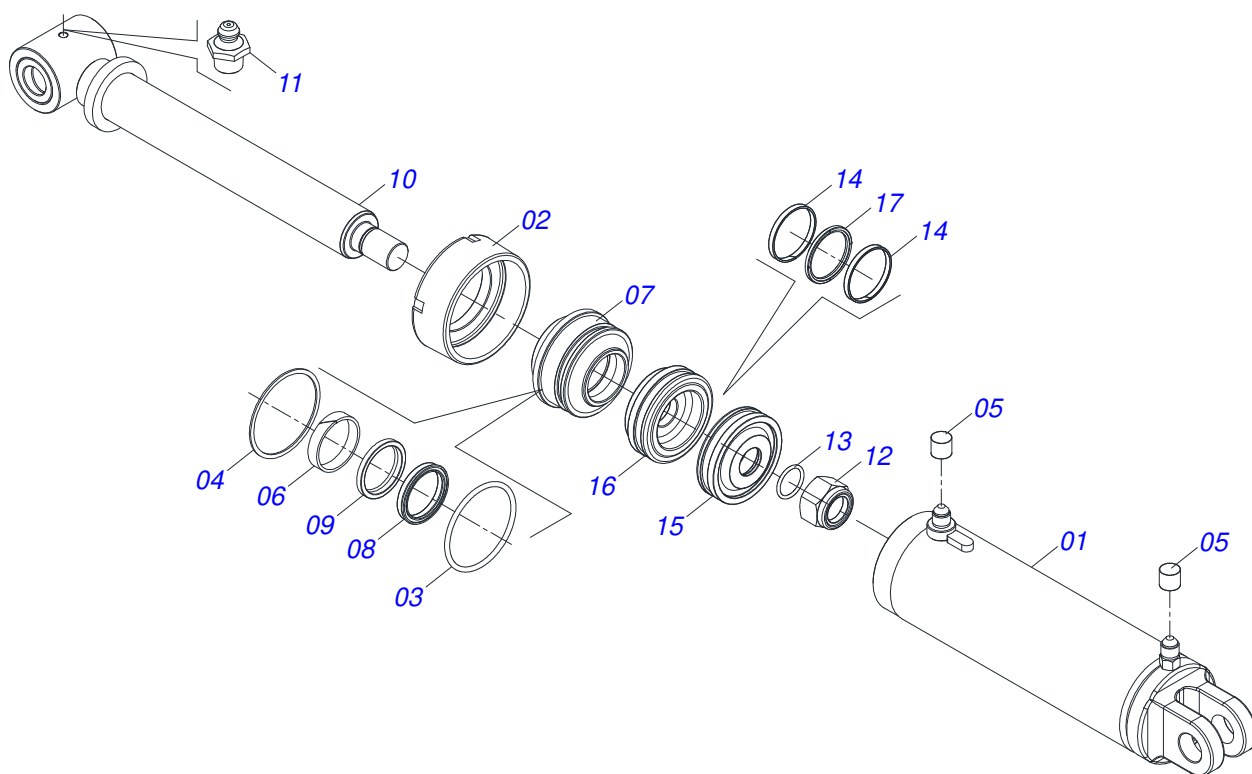
Item	Code	Description	See page	QT
01	0502011121	CARRYING WHEEL HUB		01
02	0503010006	32210 ROLLER BEARING		01
03	0503010037	30207 ROLLER BEARING		01
04	0503011867	00517-BR SEAL WITH HOLE		01
05	0501010127	9/16" X 1-7/8" LUG BOLT		06
06	0503010035	9/16" CONIC NUT		06
07	0541015259	63,40 X 366 AXLE		01
08	0501016545	FLAT WASHER		01
09	0503030009	1" CASTLE NUT		01
10	0503010018	5/32" X 1-1/2" SPLIT PIN		01
11	0502020591	PROTECTION LID		01
12	0503010178	5/16" X 7/8" BOLT		04
13	0503010179	LOCK WASHER 5/16 ZN 1K01528		04
14	0503010002	1800 GREASE FITTING		01



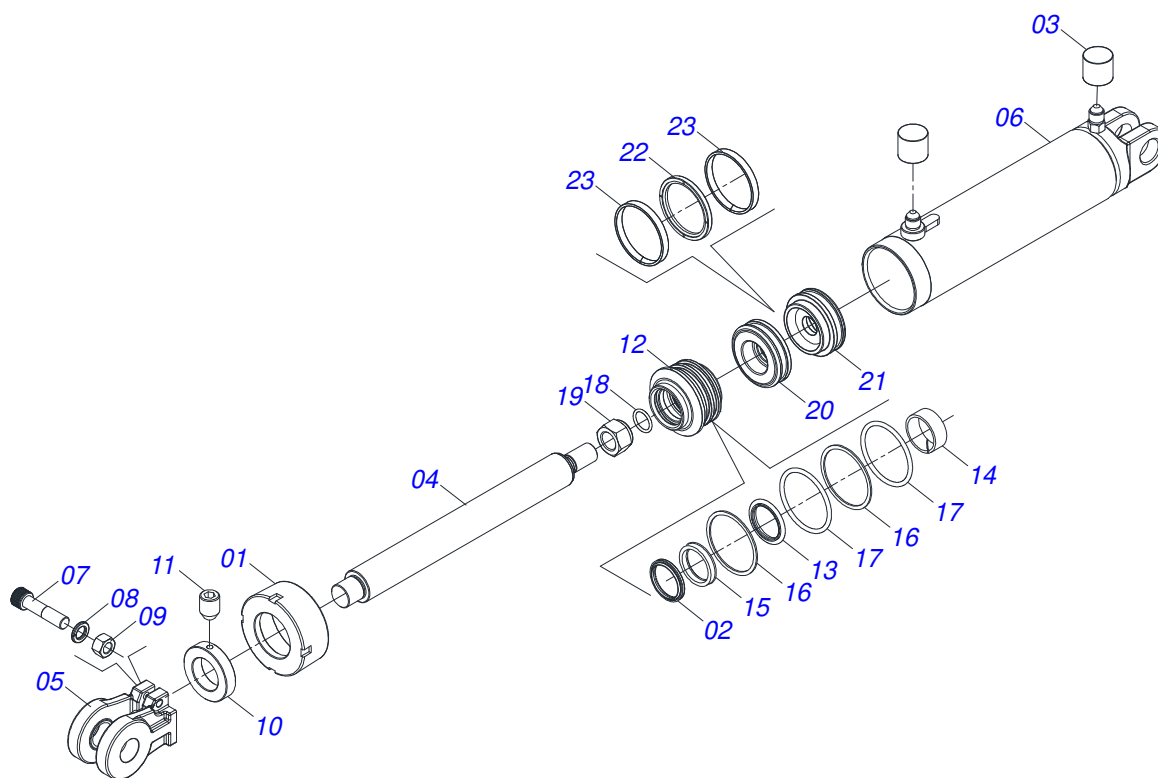
Item	Code	Description	See page	QT
01	0501069483	WHEEL 13 X 15,5 - 21FT		01
02	0503012112	400/60 - 15.5 TR 15 INNER TIRE		01
03	0503013119	CANVAS TIRE 400/60-15,5-T404-14L TRELEBORG		01



Item	Code	Description	See page	QT
01	0503010858	CANVAS TIRE		01
02	0503011468	WEEL		01
03	0503010860	AIR CHAMBER 11L 15		01

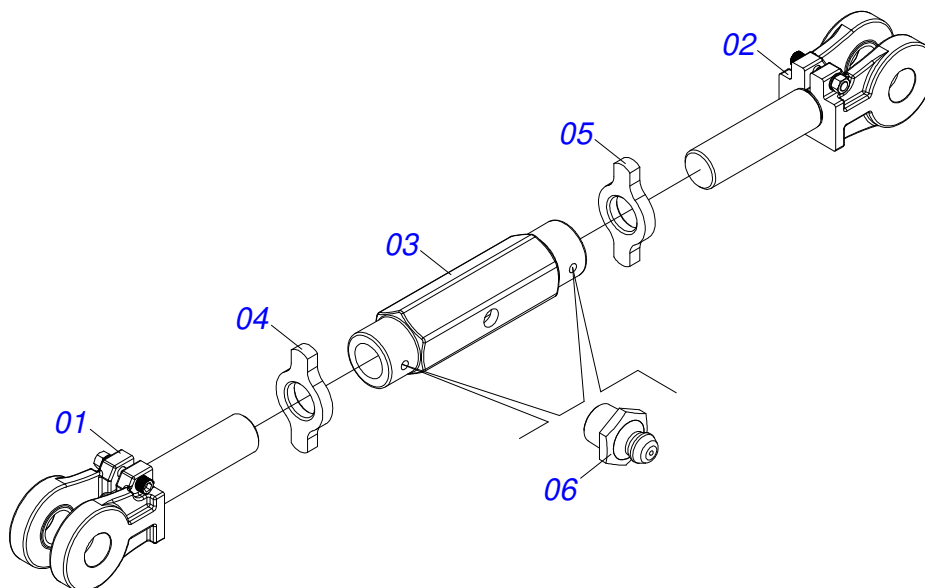


Item	Code	Description	See page	QT
01	0521066183	CYLINDER CASE		01
02	0502010017	4" LID		01
03	0503010338	2-342 N 3006-9B O'RING		01
04	0503011061	8-342 BACK-UP RING		01
05	0503030385	CYLINDER PLUG N-002		02
06	0503010973	W2-2500-500 PK O'RING G.E		01
07	0502011250	RING OF SUPPORT		01
08	0503015642	U-CUP SEALING RUUB000970		01
09	0503015715	SCRAPER SEALING		01
10	0521060656	TURNBUCKLE		01
11	0503010002	1800 GREASE FITTING		01
12	0503010817	1.1/4" SELF LOCKING NUT		01
13	0503010345	2-218 N 3006-9B O'RING		01
14	0503017889	RING GUIDE		02
15	0581012601	PISTON		01
16	0581012602	PISTON		01
17	0503018651	SEALING		01

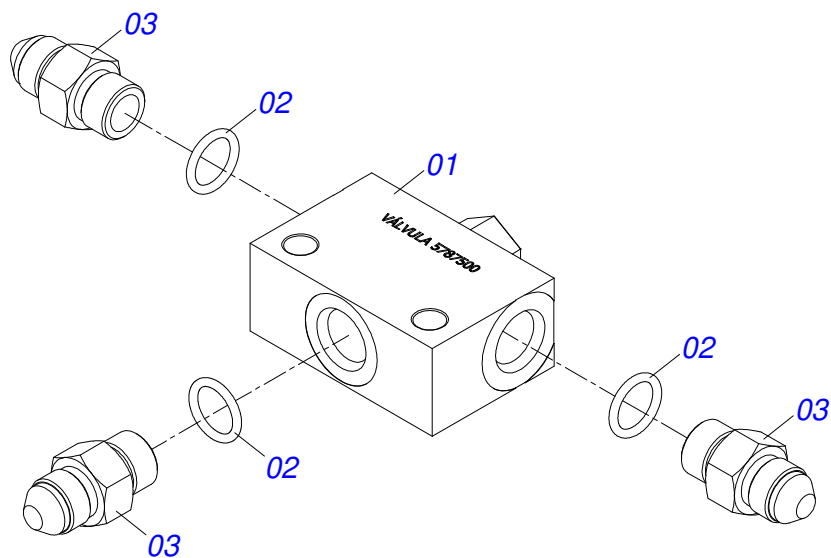


Item	Code	Description	See page	QT
01	0571019709	DETACHABLE COVER		01
02	0503010761	D-1750 SCRAPER RING		01
03	0503030385	CYLINDER PLUG N-002		02
04	0521016677	1.75" X 17.5" TURNBUCLE		01
05	0502040747	32.54 CLEVIS CLAMP		01
06	0521066182	CYLINDER CASE		01
07	0503011094	BOLT 3/8" UNC X 2" C C S I 12.9		01
08	0503011443	SPRING WASHER 3/8"		01
09	0503010026	3/8" NUT		01
10	0511018115	1.8" X 0.1" 0.7" BUSHING		01
11	0503011148	3/8" X 1/2" BOLT		01
12	0571019711	RING SUPPORT		01
13	0503017936	RING		01
14	0503017938	RING GUIDE		01
15	0503017937	GASKET		01
16	0503017940	8-337 BACK-UP RING		02
17	0503017939	2-337 N 3006-9B O' RING		02
18	0503010042	2-214 N 3006-9B O' RING		01
19	0503010063	1" SELF-ALIGNING NUT		01
20	0581012598	PISTON		01
21	0581012597	PISTON		01
22	0503018650	SEALING		01
23	0503017883	RING GUIDE		02

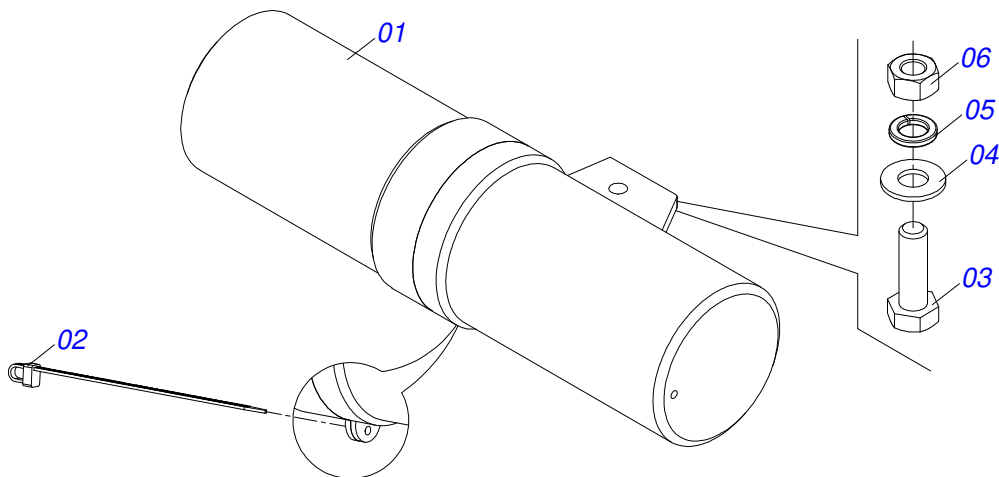




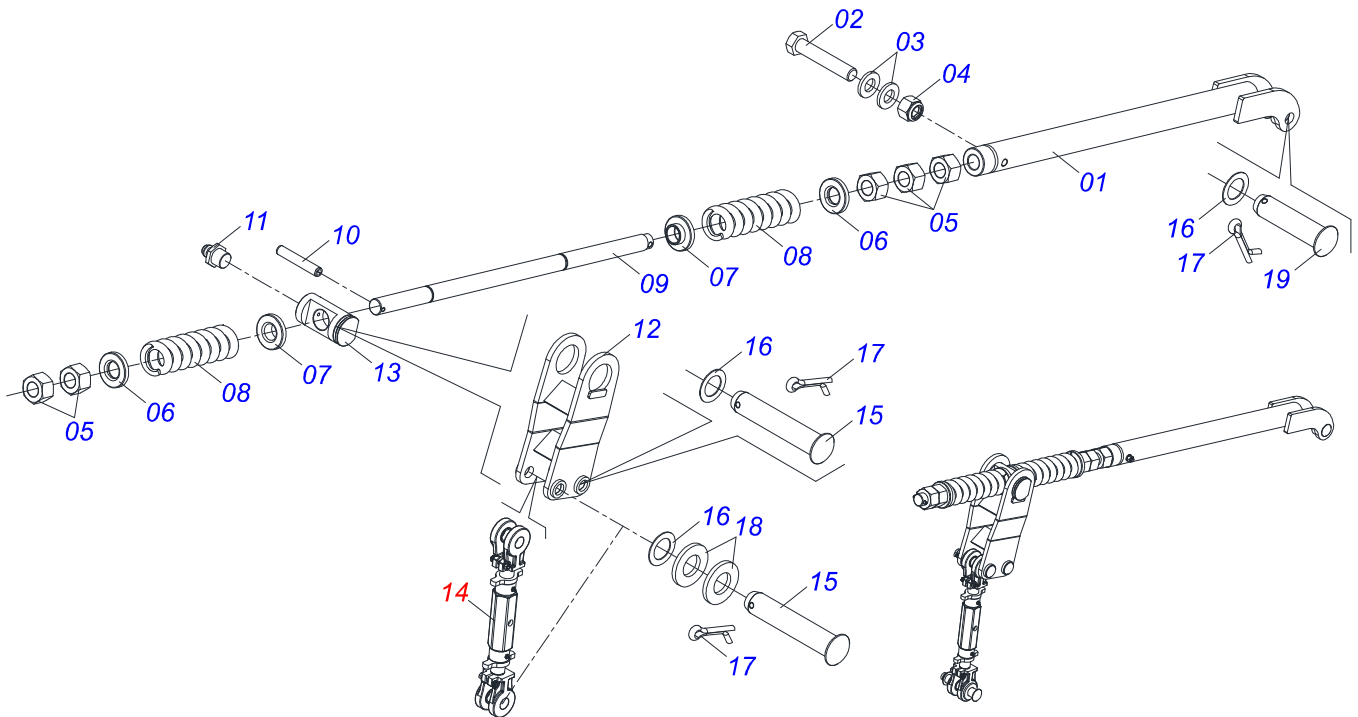
Item	Code	Description	See page	QT
01	0521060347	FORK JACK LEFT		01
02	0521060346	FORK JACK RIGHT		01
03	0502011195	ADJUSTMENT NUT BODY		01
04	0541018673	COUNTERNUT		01
05	0541018672	COUNTERNUT		01
06	0503010002	1800 GREASE FITTING		02



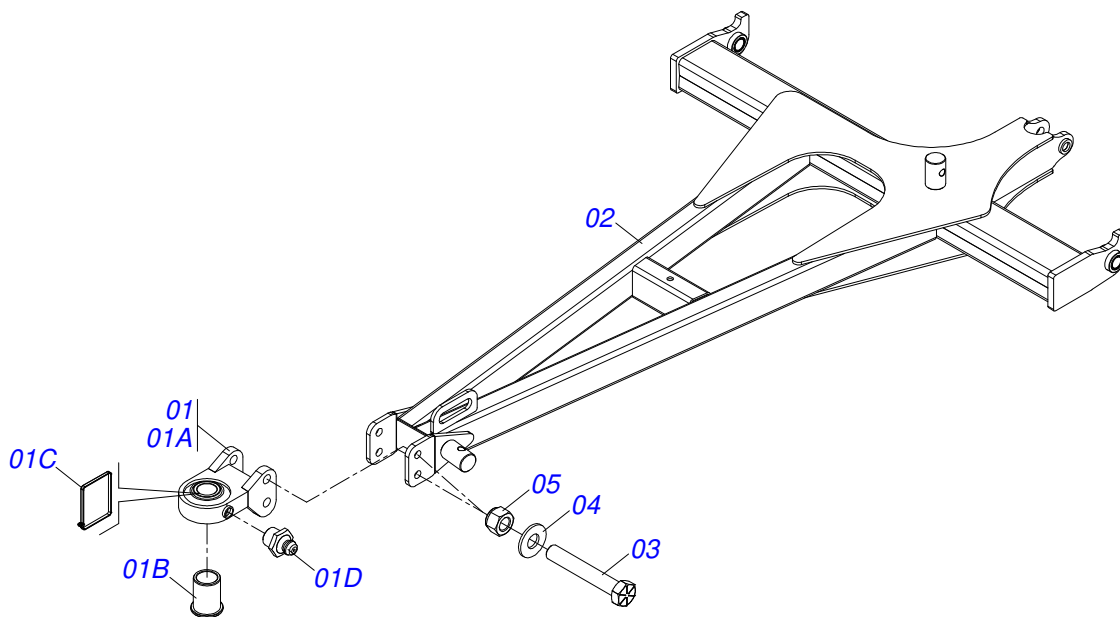
Item	Code	Description	See page	QT
001	0503062610	VALVE LIMITER COURSE		01
002	0503010190	2-114 N 3006-9B O'RING		03
003	0501010617	NIPLE 3/4" NF X 3/4" NF HEX. 7/8" X 44		03



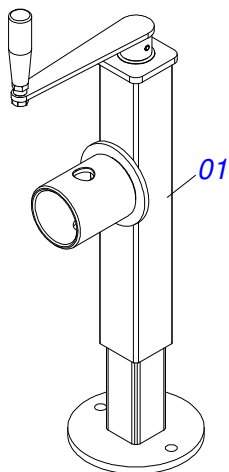
Item	Code	Description	See page	QT
001	0503060100	SUPPORT INSTRUCTION MANUAL		01
002	0503010267	NYLON CLAMP 3,60 X 1,3 X 155 MM		01
003	0503010363	BOLT 5/16 UNC X 1 C S G.2 ZN		01
004	0501010694	FLAT WASHER 32,50 X 75 X 4,75		01
005	0503010179	LOCK WASHER 5/16 ZN 1K01528		01
006	0503010337	NUT 5/16 UNC G.5 ZN		01



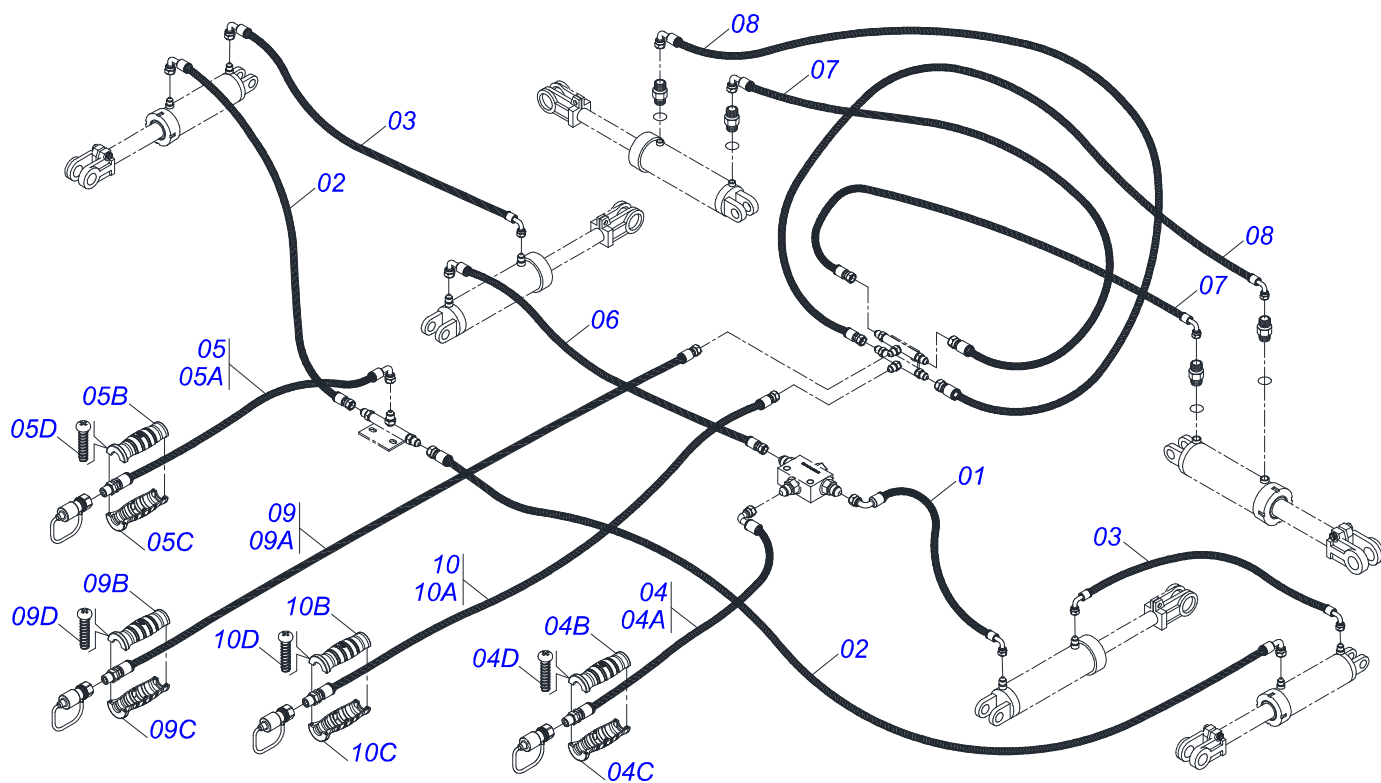
Item	Code	Description	See page	QT
01	0521067891	ADJUSTMENT BAR		01
02	0503010547	1/2" X 4" BOLT		01
03	0521014188	FLAT WASHER		02
04	0503010589	1/2" UNC SELF ADJUSTING NUT		01
05	0501010333	1.3/4" NUT		02
06	0581014587	46 X 95 X 16,00 WASHER		02
07	0581014586	GLOVE GUIDE		02
08	0503033826	SPRING 48X92,44X300X22,22		02
09	0581014579	BAR SCREW		01
10	0503010361	SPRING PIN		01
11	0503010002	1800 GREASE FITTING		01
12	0521067892	BALANCE		01
13	0581014578	GUIDE		01
14	0501057418	ESTABILIZER ASSY	12	01
15	0521010547	1.2" X 6.5" COUPLING SHAFT		03
16	0501019435	32 X 50 X 1.5 FLAT WASHER		04
17	0503010523	1/4 X 2 SPLIT PIN		04
18	0501010086	FLAT WASHER		04
19	0521012536	COUPLING SHAFT		01



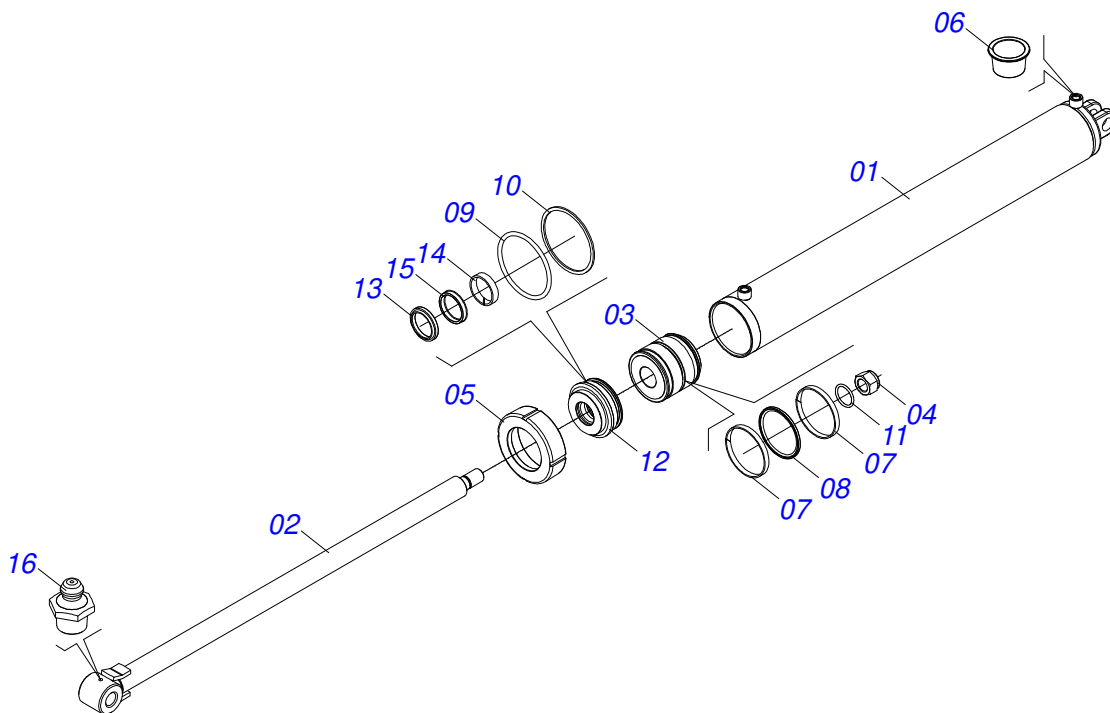
Item	Code	Description	See page	QT
01	0511059885	TRACTOR HITCH ASSY		01
01A	0521067339	TRACTOR HITCH ASSY		01
01B	0581012984	41 X 52.97 SLEEVE		01
01C	0503016033	4.8 X 1.3 X 300 MM NYLON CLAMP		01
01D	0503010002	1800 GREASE FITTING		01
02	0521067883	DRAWBAR		01
03	0503013935	1 UNC X 9 C S G.8 ZN BOLT		02
04	0501010690	FLAT WASHER 26 X 58 X 4,75		02
05	0503018754	NUT 1 - 8 UNC - 2B G8		02



Item	Code	Description	See page	QT
01	0503062227	DRAWBAR JACK		01

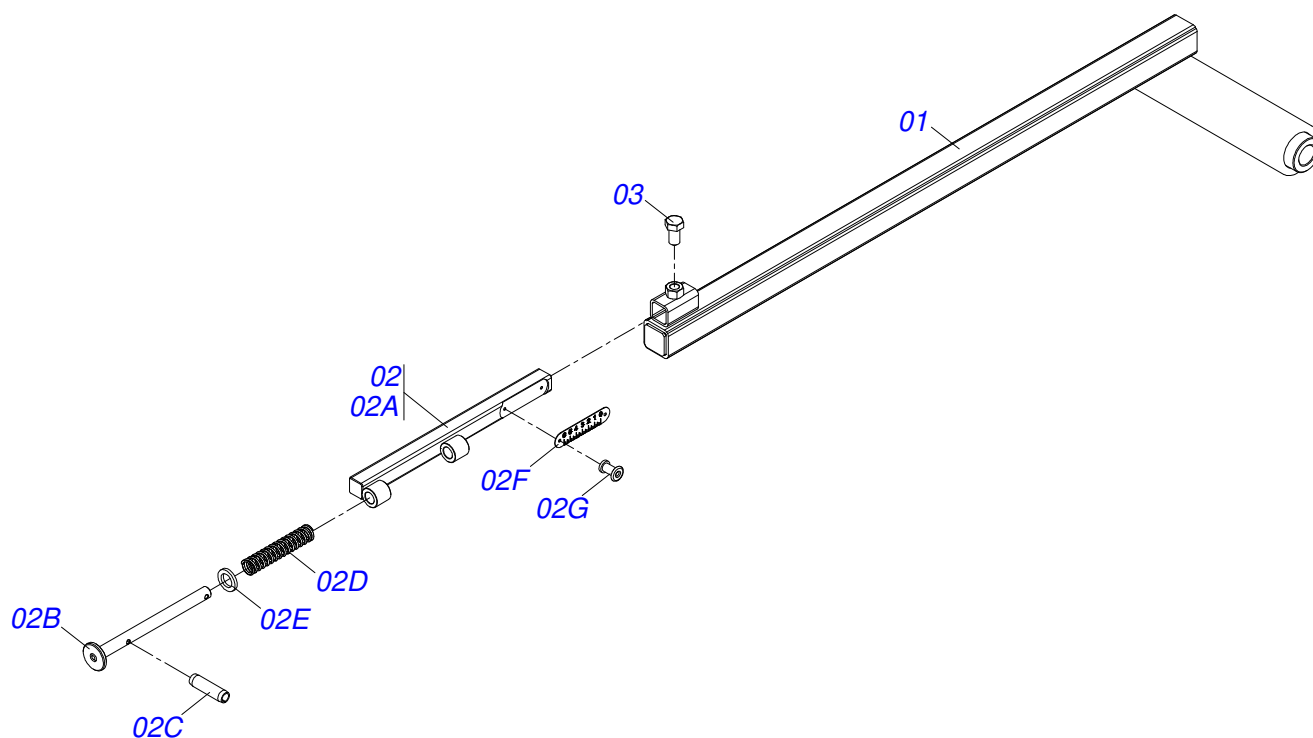


Item	Code	Description	See page	QT
01	0501080348	3/8" X 47,24" TR-TC HOSE		01
02	0501081519	7500 TR-TC HOSE		02
03	0501081258	3/8 X 6320 TC-TC HOSE		02
04	0521056233	3/8" X 236.22" TR-TM BLACK/RED HOSE		01
04A	0501080443	3/8" X 236.22" TR-TM HOSE		01
04B	0503034495	HYDRAULIC HOSE GRIP (RED)		01
04C	0503034492	HYDRAULIC HOSE GRIP (BLACK)		01
04D	0503018952	PH 2,5 X 10 ZB PLASTIC BOLT		06
05	0521051510	3/8 X 4600 TC-TM BLACK/BLUE HOSE		01
05A	0501080845	3/8" X 181" TC-TM HOSE		01
05B	0503034492	HYDRAULIC HOSE GRIP (BLACK)		01
05C	0503034494	HYDRAULIC HOSE GRIP (BLUE)		01
05D	0503018952	PH 2,5 X 10 ZB PLASTIC BOLT		06
06	0501080392	3/8 X 3300 TR-TC HOSE		01
07	0501081259	3/8 X 870 TR-TC HOSE		02
08	0501080419	3/8" X 83" TR-TC HOSE		02
09	0521051597	3/8 X 6800 TR-TM BROWN/RED HOSE		01
09A	0501081214	3/8 X 6800 TR-TM HOSE		01
09B	0503034490	HYDRAULIC HOSE GRIP (BROWN)		01
09C	0503034495	HYDRAULIC HOSE GRIP (RED)		01
09D	0503018952	PH 2,5 X 10 ZB PLASTIC BOLT		06
10	0521051598	3/8 X 6800 TR-TM BROWN/BLUE HOSE		01
10A	0501081214	3/8 X 6800 TR-TM HOSE		01
10B	0503034490	HYDRAULIC HOSE GRIP (BROWN)		01
10C	0503034494	HYDRAULIC HOSE GRIP (BLUE)		01
10D	0503018952	PH 2,5 X 10 ZB PLASTIC BOLT		06



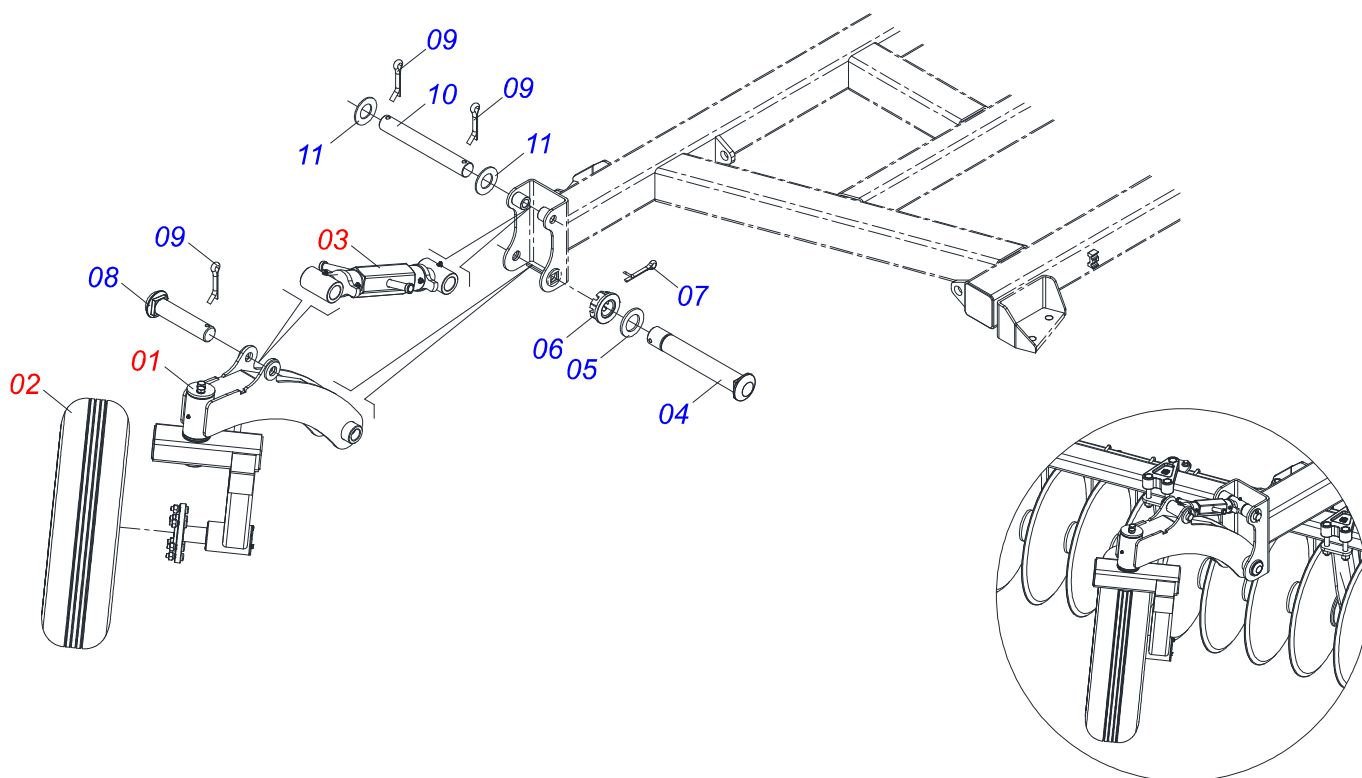
Item	Code	Description	See page	QT
01	0511068524	CYLINDER BARREL		01
02	0511069760	ROD 2" X 1215		01
03	0502012518	2" X 5" PISTON		01
04	0503010817	1.1/4" SELF LOCKING NUT		01
05	0502010382	5" END CAP		01
06	0503030384	PLUG N-001		02
07	0503010974	W2-5000-500 RING		02
08	0503013440	OE 127 GASKET		01
09	0503010351	2-425 N 3006-9B O'RING		01
10	0503011062	8-425 BACK-UP RING		01
11	0503010345	2-218 N 3006-9B O'RING		01
12	0502012227	2" X 5" RING SUPPORT		01
13	0503010952	W2-2250-500 RING		01
14	0503010039	D-2000 SCRAPER RING		01
15	0503010991	1870-2000-375-B GASKET		01
16	0503010002	1800 GREASE FITTING		01
17	0501039856	HYDRAULIC CYLINDER REPAIR KIT 2" X 5"		01



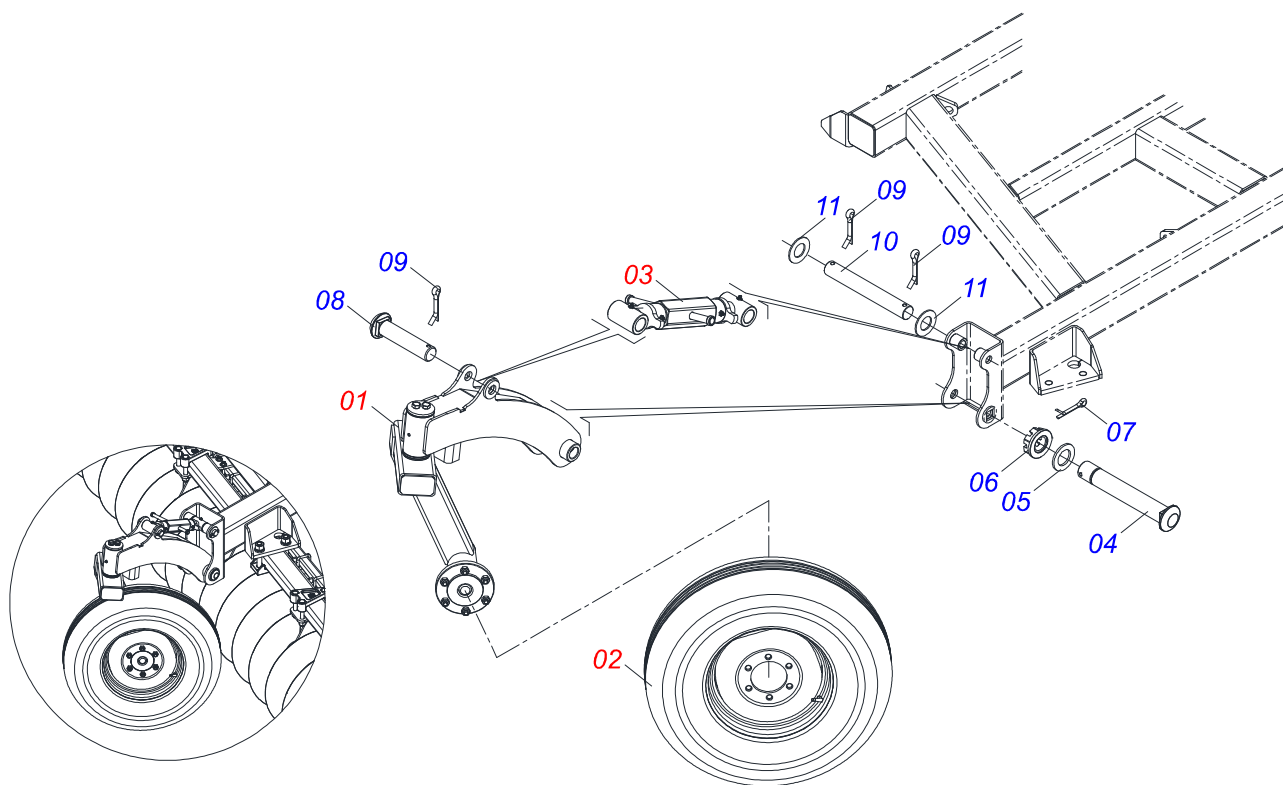


Item	Code	Description	See page	QT
01	0521067893	DEPTH CONTROL SUPPORT		01
02	0511059126	DEPTH CONTROL REGULATOR WITH SCALE		01
02A	0521067320	ADJUSTMENT AXLE		01
02B	0521067321	BEATER FRAME		01
02C	0503010686	0.2" X 0.7" SPRING PIN		02
02D	0503030170	COMPRESSION SPRING		01
02E	0581012941	FLAT WASHER		01
02F	0503030886	SCALE DOSER		01
02G	0503010001	RIVET 3,2 X 5,5		02
03	0501018535	1/2 X 1 BOLT		01

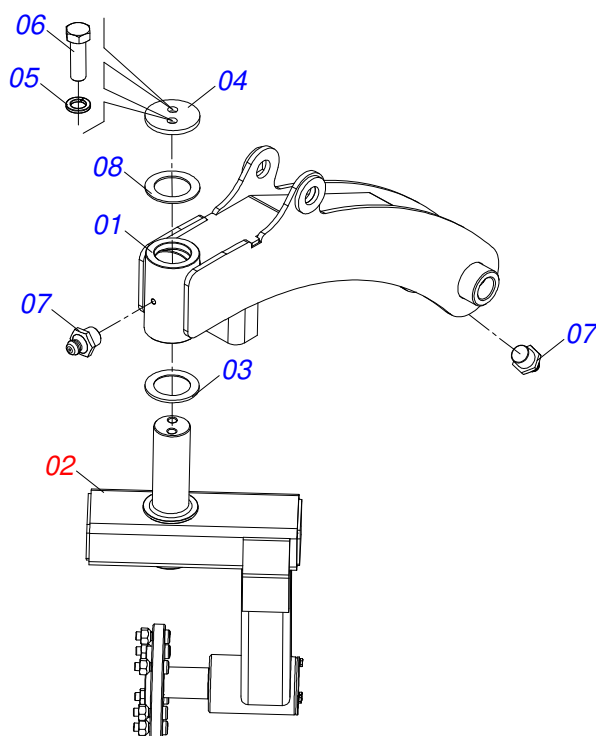
STABILIZER RIGHT CARRYNG WHEELS ASSY



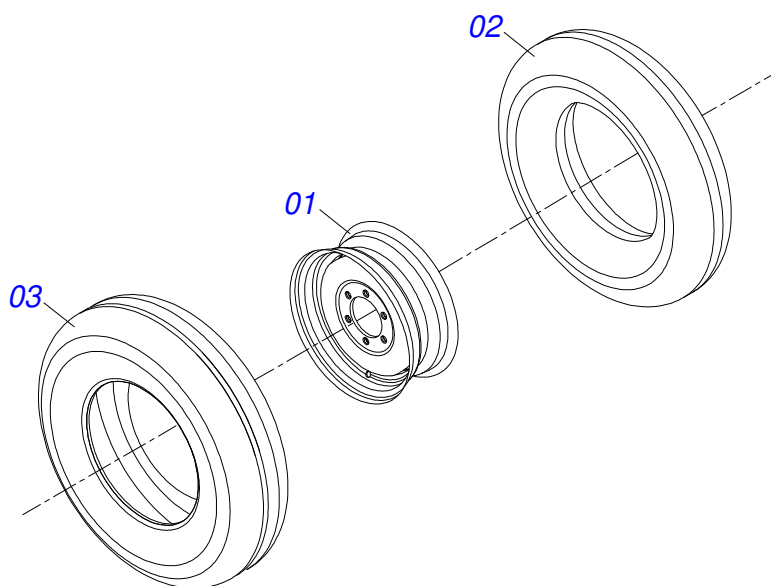
Item	Code	Description	See page	QT
01	0511051845	RIGHT FRONT CARRYING-WHEELS	23	01
02	0503060091	L 29.5" X 0.63"-10L WHEEL AND TIRE ASSY	24	01
03	0501047699	ESTABILIZER ASSY	25	01
04	0561018588	COUPLING SHAFT		01
05	0501012916	FLAT WASHER 40 X 66 X 4,75 ZN		01
06	0501011301	1.1/2" UNC 6FPP 2.5/16" NUT		01
07	0503010010	1/4" X 2.1/2" SPLIT PIN		01
08	0521014092	AXLE LOCK		01
09	0503010523	1/4 X 2 SPLIT PIN		03
10	0521014216	COUPLING SHAFT		01
11	0521011132	FLAT WASHER		02



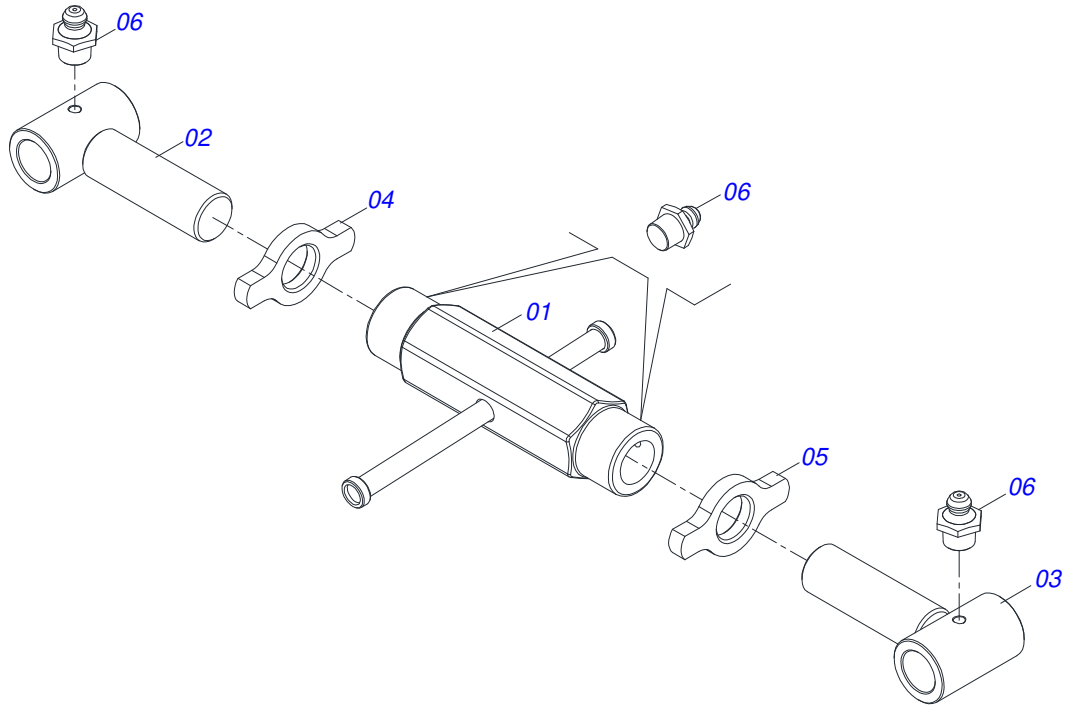
Item	Code	Description	See page	QT
01	0511051846	FRONT CARRYING-WHEELS	27	01
02	0503060091	L 29.5" X 0.63"-10L WHEEL AND TIRE ASSY	24	01
03	0501047699	ESTABILIZER ASSY	25	01
04	0561018588	COUPLING SHAFT		01
05	0501012916	FLAT WASHER 40 X 66 X 4,75 ZN		01
06	0501011301	1.1/2" UNC 6FPP 2.5/16" NUT		01
07	0503010010	1/4" X 2.1/2" SPLIT PIN		01
08	0521014092	AXLE LOCK		01
09	0503010523	1/4 X 2 SPLIT PIN		03
10	0521014216	COUPLING SHAFT		01
11	0521011132	FLAT WASHER		02



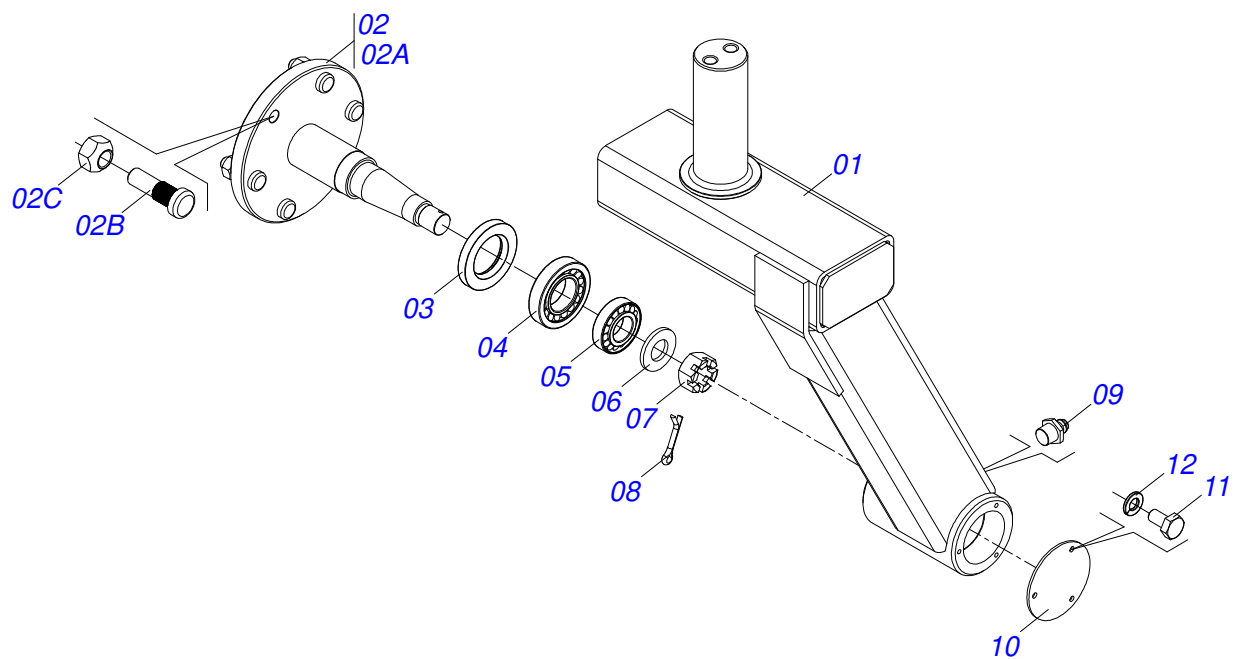
Item	Code	Description	See page	QT
01	0521063073	FRONT WHEEL ARM		01
02	0511051796	RIGHT FRONT CARRYING-WHEELS	26	01
03	0521014023	MIDDLEMAN FLANGE		01
04	0521014014	REAR FIXER FLANGE		01
05	0503010027	5/8 SPRING WASHER		02
06	0501010100	BOLT 5/8" UNC X 2 CS G.5 ZN		02
07	0503010002	1800 GREASE FITTING		02
08	0521014024	WASHER SPACER		01



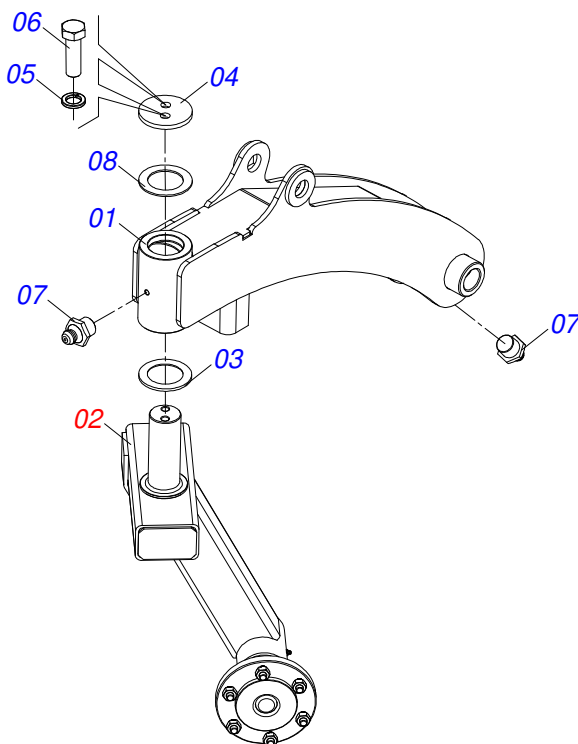
Item	Code	Description	See page	QT
01	0503010893	WHEEL		01
02	0503010033	7.50 X 16 INNER TIRE		01
03	0503010120	CANVAS TIRE		01



Item	Code	Description	See page	QT
01	0501110262	245 ADJUSTMENT NUT		01
02	0501064001	RIGHT JACK CRANK		01
03	0501064002	LEFT JACK CRANK		01
04	0541018672	COUNTERNUT		01
05	0541018673	COUNTERNUT		01
06	0503010002	1800 GREASE FITTING		04

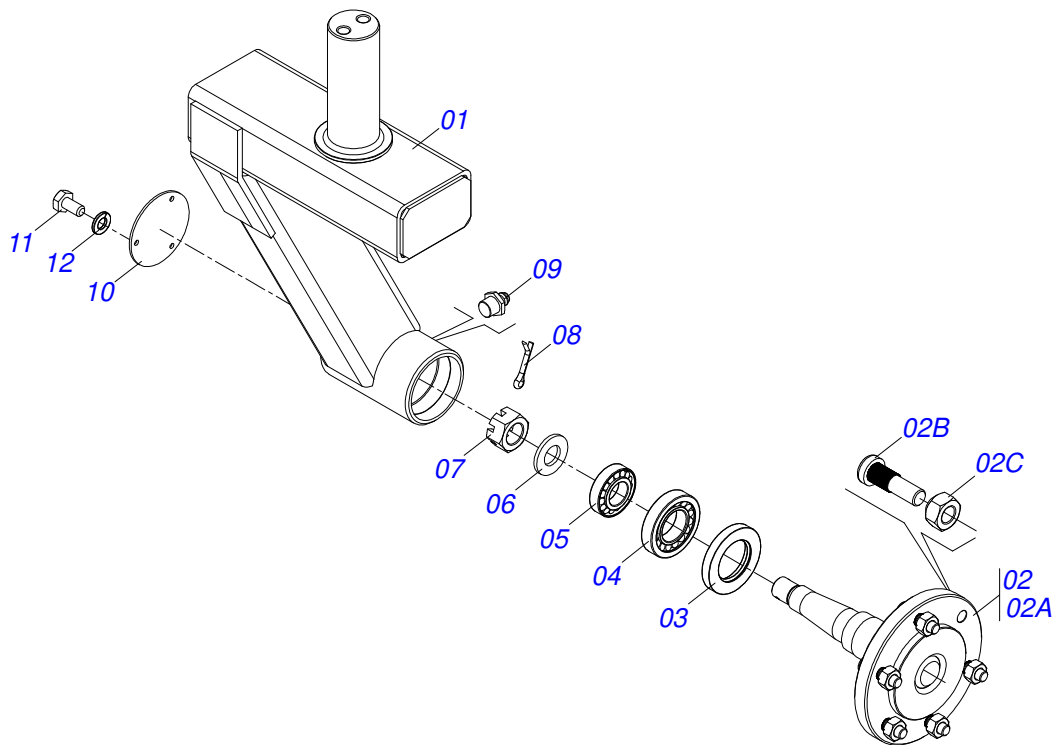


Item	Code	Description	See page	QT
01	0521063068	FRONT CARRYING-WHEELS		01
02	0501110695	AXLE W/ FLANGE		01
02A	0521063074	AXLE W/ FLANGE		01
02B	0501010127	9/16" X 1-7/8" LUG BOLT		06
02C	0503010035	9/16" CONIC NUT		06
03	0503010279	SEAL		01
04	0503010360	30208 ROLLER BEARING		01
05	0503011290	30206 BEARING		01
06	0511015994	FLAT WASHER		01
07	0503030009	1" CASTLE NUT		01
08	0503010523	1/4 X 2 SPLIT PIN		01
09	0503010002	1800 GREASE FITTING		01
10	0541018995	WHEEL BOX COVER		01
11	0503013758	1/4" X 1-1/2" BOLT		03
12	0503011441	SPRING WASHER		03

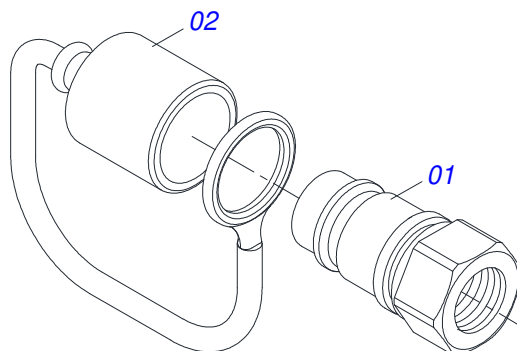


Item	Code	Description	See page	QT
01	0521063073	FRONT WHEEL ARM		01
02	0511051797	LEFT FRONT CARRYING-WHEELS	28	01
03	0521014023	MIDDLEMAN FLANGE		01
04	0521014014	REAR FIXER FLANGE		01
05	0503010027	5/8 SPRING WASHER		02
06	0501010100	BOLT 5/8" UNC X 2 CS G.5 ZN		02
07	0503010002	1800 GREASE FITTING		02
08	0521014024	WASHER SPACER		01

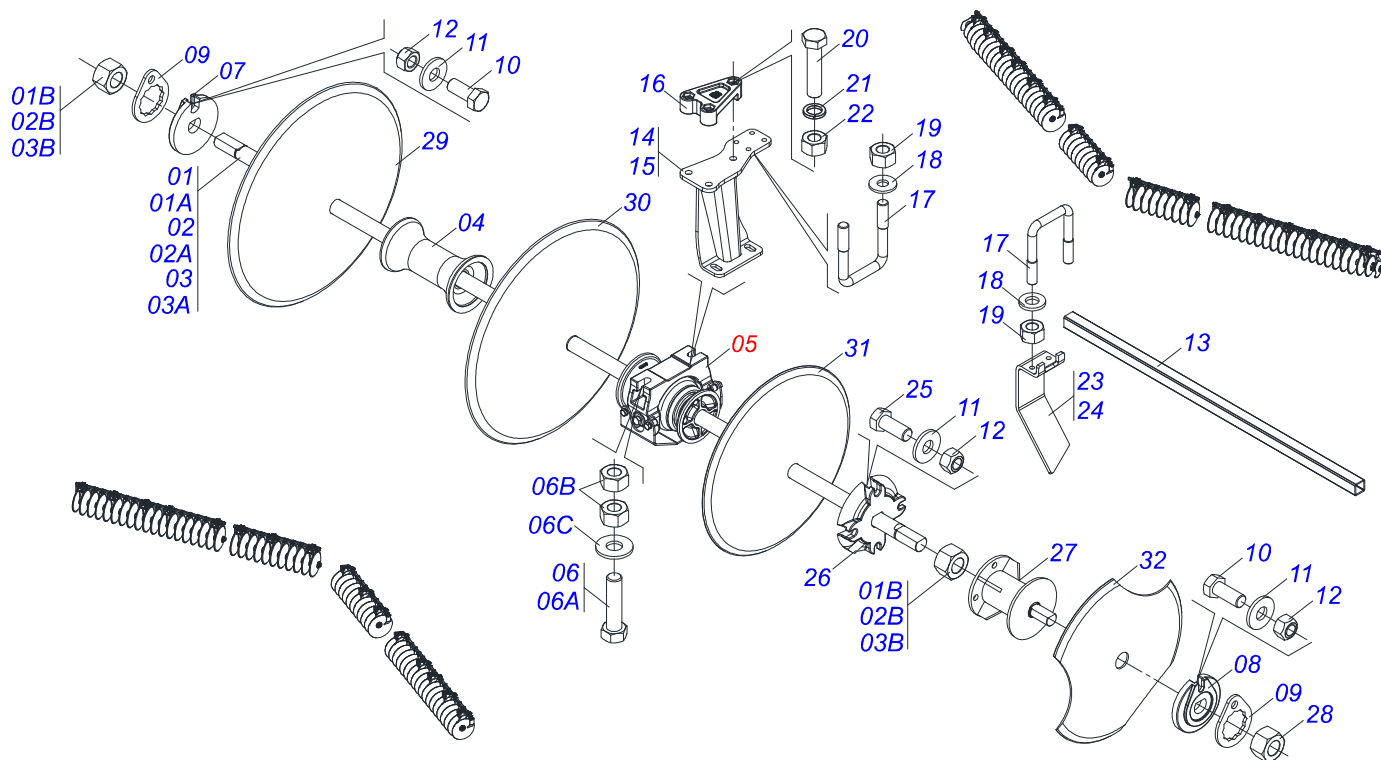




Item	Code	Description	See page	QT
01	0521063067	FRONT CARRYING-WHEELS		01
02	0501110695	AXLE W/ FLANGE		01
02A	0521063074	AXLE W/ FLANGE		01
02B	0501010127	9/16" X 1-7/8" LUG BOLT		06
02C	0503010035	9/16" CONIC NUT		06
03	0503010279	SEAL		01
04	0503010360	30208 ROLLER BEARING		01
05	0503011290	30206 BEARING		01
06	0511015994	FLAT WASHER		01
07	0503030009	1" CASTLE NUT		01
08	0503010523	1/4 X 2 SPLIT PIN		01
09	0503010002	1800 GREASE FITTING		01
10	0541018995	WHEEL BOX COVER		01
11	0503013758	1/4" X 1-1/2" BOLT		03
12	0503011441	SPRING WASHER		03



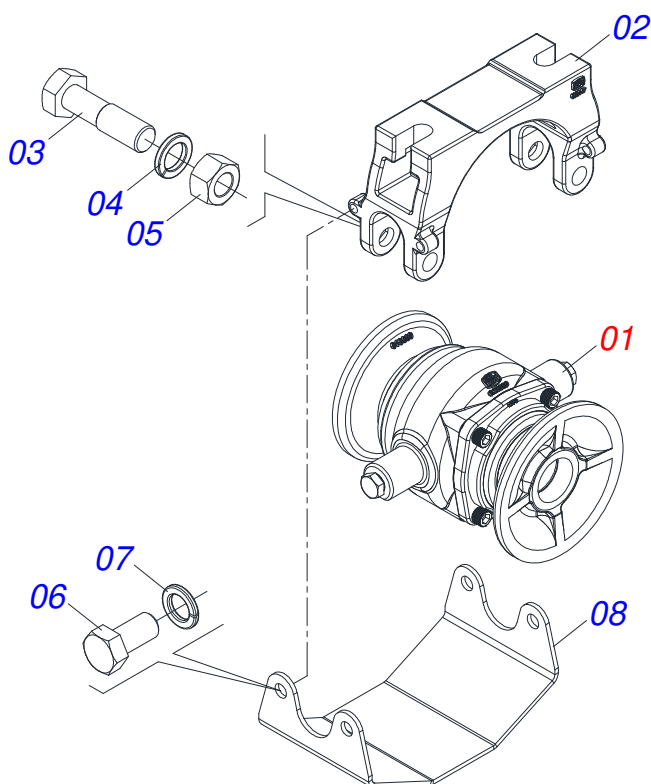
Item	Code	Description	See page	QT
01	0503011627	MALE QUICK COUPLER AGR 1/2 NPT		01
02	0503011882	MALE QUICK COUPLER CAP		01



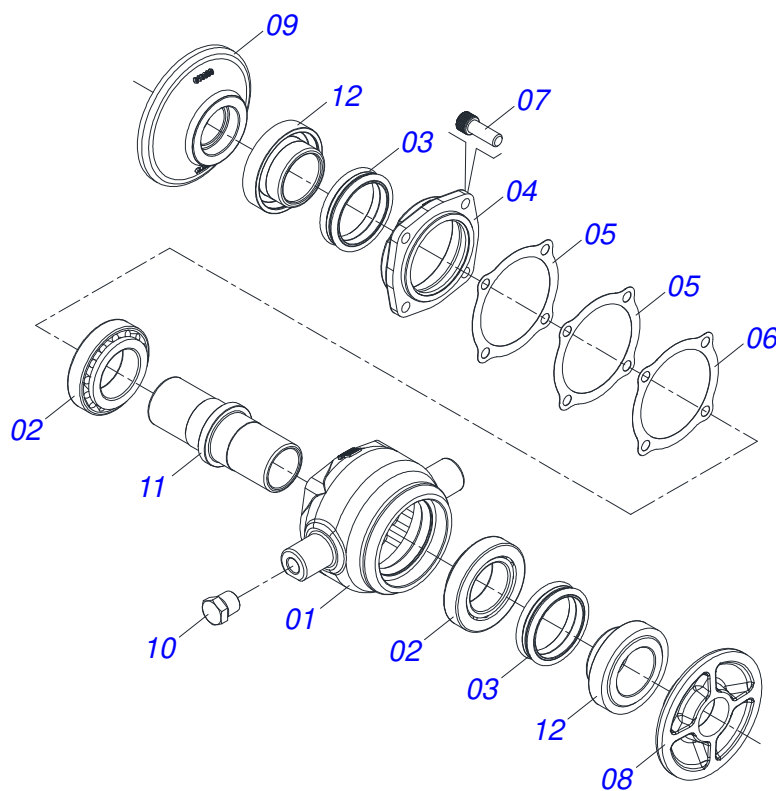
Item	Code	Description	See page	QT
01	0521040667	1-1/2" X 1320 AXLE ASSY		004
01A	0571010816	1.1/2" X 1720 AXLE		001
01B	0501010110	1.1/2 NC 6FPP 2.3/8 HEXAGONAL NUT		002
02	0521051259	1.1/2 6FPP X 2120 AXLE WITH NUTS		004
02A	0581014619	1.1/2 UNC 6FPP 2120 AXIS GNACR 120		001
02B	0501010110	1.1/2 NC 6FPP 2.3/8 HEXAGONAL NUT		002
03	0521040668	1.1/2" X 1920 AXLE ASSY		004
03A	0571010817	1,1/2" X 1920 AXLE		001
03B	0501010110	1.1/2 NC 6FPP 2.3/8 HEXAGONAL NUT		002
04	0502011594	SPACER		076
05	0531042480	196 X 1.1/2 DMO AGRICULTURAL BEARING WITH 31 PROTECTION SUPPORT		032
06	0521048902	SCREW ASSEMBLY 5/8 UNC 3		064
06A	0501011541	5/8 UNC X 3 CS G.5 ZN1K28066 BOLT		001
06B	0503010013	5/8 UNC G.5 ZN HEX NUT		002
06C	0501012140	FLAT WASHER 16,50 X 40 X 4,00 ZN		001
07	0502010872	1-1/2" INNER AXLE WASHER		012
08	0502010871	EXTERNAL AXLE WASHER 1.1/2"		012
09	0501018592	1.5/8 HEX 60,0/60,2 LOCK NUT		024
10	0503011267	BOLT 5/8" UNC X 1.1/2 C S G.5 ZN		024
11	0501012140	FLAT WASHER 16,50 X 40 X 4,00 ZN		024
12	0503012412	5/8" UNC SELF LOCKING NUT		024
13	0581014617	50 X 50 X 4,75 X 2170 TUBE		006
13.	0581014616	TUBE 50 X 50 X 4,75 X 1970		002
14	0521067904	BRACKET REAR LEFT FRONT RIGHT		016
15	0521067903	SHOE FRONT LEFT REAR RIGHT		016
16	0502012345	SPINDLE FIXER		032
17	0511018746	1/2" UNC X 2,9" X 2,5" HOLDER		186
18	0511017302	FLAT WASHER 13,50 X 32,50 X 3,0 ZN		372
19	0503010060	1/2 UNC G.5 ZN HEX NUT		372
20	0503013185	BOLT 3/4" UNC X 5.1/2 C S G.7 ZN		096
21	0503010023	3/4" SPRING WASHER		129



Item	Code	Description	See page	QT
22	0503010014	3/4" ZN G.5 (HEAVY) UNC HEX NUT		121
23	0551018171	SCRAPER FRONT RIGHT REAR LEFT		061
24	0551018172	SCRAPER FRONT LEFT REAR RIGHT		061
25	0503010232	5/8" X 1.3/4" BOLT		008
26	0502012376	1-1/2" EXTERNAL AXLE LOCK		002
27	0521062026	SPACING 157 (ESP 195)		002
28	0501810110	1.1/2 NC 6FPP NUT		006
29	0601031134	DL 24 X 4,5 C66AF02FR1.9/16		104
29.	0601031041	DL24X4,75 C76AF02FR1.9/16 TATU		104
30	0601029414	DL 22 X 4,5 C63AF02FR1.9/16		004
31	0601027299	DL 20 X 4,5 C57AF02FR1.9/16		002
32	0602025266	DR18X4,5 C44AF02FR1.9/16 3REC TATU		002



Item	Code	Description	See page	QT
01	0531055221	196 X 1.1/2 IMP DMO AGRICULTURAL BEARING	32	01
02	0502013047	BEARING SUPPORT		01
03	0501011541	5/8 UNC X 3 CS G.5 ZN1K28066 BOLT		02
04	0503010027	5/8 SPRING WASHER		02
05	0503010013	5/8 UNC G.5 ZN HEX NUT		02
06	0503011334	3/8 UNC X 3/4 CS G.5 ZN BOLT		04
07	0503010025	3/8" SPRING WASHER		04
08	0581014143	SWIVEL OIL BATH BEARING WEAR PLATE		01



Item	Code	Description	See page	QT
01	0502012839	BEARING HOUSING 182/192,5		01
02	0503010006	32210 ROLLER BEARING		02
03	0503030026	SEAL LP JB-253		02
04	0502020424	HOUSING CAP 182/192,225		01
05	0503030013	4.4" X 3.5" X 0.004" JOINT		02
06	0503030684	4.4" X 3.5" X 0.004" JOINT		01
07	0503010134	3/8" X 1" BOLT		04
08	0501216951	INNER FLANGE		01
09	0501216952	OUTER FLANGE		01
10	0503010856	OIL PLUG R 3/8 BSPT		02
11	0502040061	182/192,5 AXLE		01
12	0502010541	SEAL HOLDER		02





**MARCHESAN**

**Technical Publications | Elaboration and Revision**

LUIZ CANDIDO

[www.marchesan.com.br](http://www.marchesan.com.br)

