

HINGE TYPE OFFSET DISK HARROW

GNDH 44/48/52/56D - 1.1/4" SHAFT
GNDH 44/48/52/56D - EIXO 1.1/4"

Code: 0501093899
Series: S-0224
Revision: 00
Revision Date: NOVEMBER/2024

PARTS CATALOGUE



MARCHESAN

PRODUCTS



| Code | Working Width | Description |
|-------------|---------------|--|
| 0102150061C | | GNDH 44 X 20 X 3,50 MT DMO E 1.1/4 EXP S-0224 |
| 0102150061 | | GNDH 44 X 20 X 3,50 MT DMO E 1.1/4 S-0224 |
| 0102150045C | | GNDH 44 X 22 X 4,50 DR DMO E 1.1/4 EXP S-0224 |
| 0102150045 | | GNDH 44 X 22 X 4,50 DR DMO E 1.1/4 S-0224 |
| 0102150062C | | GNDH 44 X 22 X 4,50 MT DMO E 1.1/4 EXP S-0224 |
| 0102150062 | | GNDH 44 X 22 X 4,50 MT DMO E 1.1/4 S-0224 |
| 0102150060 | | GNDH 44 X 24 X 4,75 DR DMO E 1.1/4 S-0224 |
| 0102150063 | | GNDH 48 X 20 X 3,50 MT DMO E 1.1/4 S-0224 |
| 0102150046C | | GNDH 48 X 22 X 4,50 DR DMO E 1.1/4 EXP S-0224 |
| 0102150052 | | GNDH 48 X 22 X 4,50 DR DMO E 1.1/4 LD C/PRT S-0224 |
| 0102150046 | | GNDH 48 X 22 X 4,50 DR DMO E 1.1/4 S-0224 |
| 0102150053 | | GNDH 48 X 22 X 4,50 DR DMO E 1.1/4 S-0224 |
| 0102150064C | | GNDH 48 X 22 X 4,50 MT DMO E 1.1/4 EXP S-0224 |
| 0102150064 | | GNDH 48 X 22 X 4,50 MT DMO E 1.1/4 S-0224 |
| 0102150065 | | GNDH 52 X 20 X 3,50 MT DMO E 1.1/4 S-0224 |
| 0102150048C | | GNDH 52 X 22 X 4,50 DR DMO E 1.1/4 EXP S-0224 |
| 0102150059 | | GNDH 52 X 22 X 4,50 DR DMO E 1.1/4 PN11/L15 S-0224 |
| 0102150048 | | GNDH 52 X 22 X 4,50 DR DMO E 1.1/4 S-0224 |
| 0102150066C | | GNDH 52 X 22 X 4,50 MT DMO E 1.1/4 EXP S-0224 |
| 0102150058 | | GNDH 52 X 22 X 4,50 MT DMO E 1.1/4 S-0224 |
| 0102150066 | | GNDH 52 X 22 X 4,50 MT DMO E 1.1/4 S-0224 |
| 0102150056 | | GNDH 52 X 24 X 4,75 DR DMO E 1.1/4 S-0224 |
| 0102150067 | | GNDH 56 X 20 X 3,50 MT DMO E 1.1/4 S-0224 |
| 0102150070 | | GNDH 56 X 20 X 4,50 MT DMO E 1.1/4 S-0224 |
| 0102150051 | | GNDH 56 X 22 X 4,50 DL DMO E 1.1/4 S-0224 |
| 0102150050C | | GNDH 56 X 22 X 4,50 DR DMO E 1.1/4 EXP S-0224 |
| 0102150047 | | GNDH 56 X 22 X 4,50 DR DMO E 1.1/4 PN11L15 S-0224 |
| 0102150055 | | GNDH 56 X 22 X 4,50 DR DMO E 1.1/4 PN11L15 S-0224 |
| 0102150050 | | GNDH 56 X 22 X 4,50 DR DMO E 1.1/4 S-0224 |
| 0102150068C | | GNDH 56 X 22 X 4,50 MT DMO E 1.1/4 EXP S-0224 |

ATTENTION: IMPORTANT

Marchesan S.A. reserves the right to improve and/or modify the technical features of its products, without obligation to do the same with those products already sold and without prior knowledge of the dealer or the customer. The photos are only illustrative.



PRODUCTS

| | |
|------------|---|
| 0102150049 | GNDH 56 X 22 X 4,50 MT DMO E 1.1/4 PN11L15 S-0224 |
| 0102150068 | GNDH 56 X 22 X 4,50 MT DMO E 1.1/4 S-0224 |
| 0102150054 | GNDH 56 X 22 X 4,50 MT DMO E 1.1/4 S-0224 |
| 0102150057 | GNDH 56 X 24 X 4,75 DR DMO E 1.1/4 PN11L15 S-0224 |
| 0102150069 | GNDH 56 X 24 X 4,75 MT DMO E 1.1/4 S-0224 |

ATTENTION: IMPORTANT

Marchesan S.A. reserves the right to improve and/or modify the technical features of its products, without obligation to do the same with those products already sold and without prior knowledge of the dealer or the customer. The photos are only illustrative.



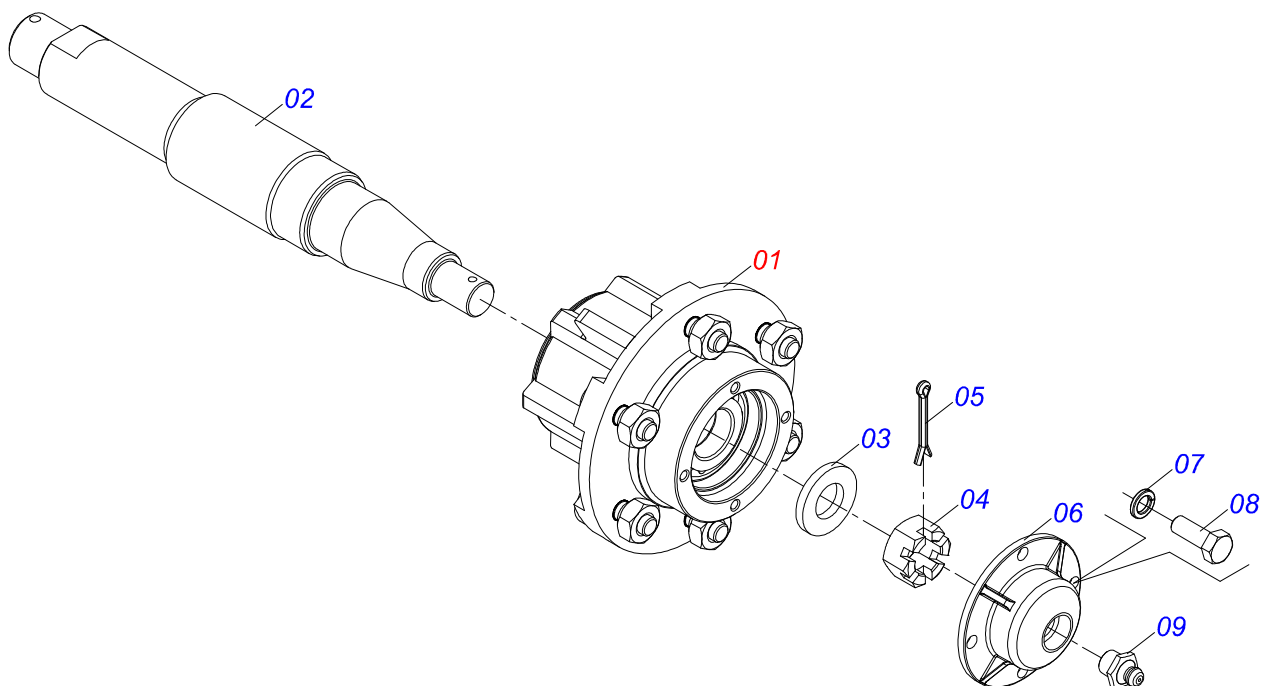
MARCHESAN

INDEX

| | | | |
|------------|---|-------|----|
| 0909097424 | FRAME ASSY - 44/48/52/56D | | 1 |
| 0501051634 | STUB SHAFT HUB ASSY | | 2 |
| 0501051142 | CARRYING WHEEL HUB | | 3 |
| 0521055561 | BEATER ASSY | | 4 |
| 0909092452 | HYDRAULIC CIRCUIT | | 5 |
| 0511059180 | HYDRAULIC CYLINDER 50,80 X 101,60 X 515 X 203 | | 6 |
| 0501044311 | 1.7"X3.4"X31"X15" HYDRAULIC CYLINDER | | 7 |
| 0501053834 | MALE QUICK COUPLER | | 8 |
| 0909097425 | DISC GANG - 44/48/52/56D (MIXED DISCS) | | 9 |
| 0909097426 | DISC GANG - 44/48/52/56D (NOTCHED DISCS) | | 10 |
| 0909097427 | DISC GANG - 56D (PLAIN DISCS) | | 11 |
| 0521047189 | 7.58" X 1.1/4" BEARING WITH PROTECTION | | 12 |
| 0521050842 | 7.58" X 1.1/4" BEARING | | 13 |

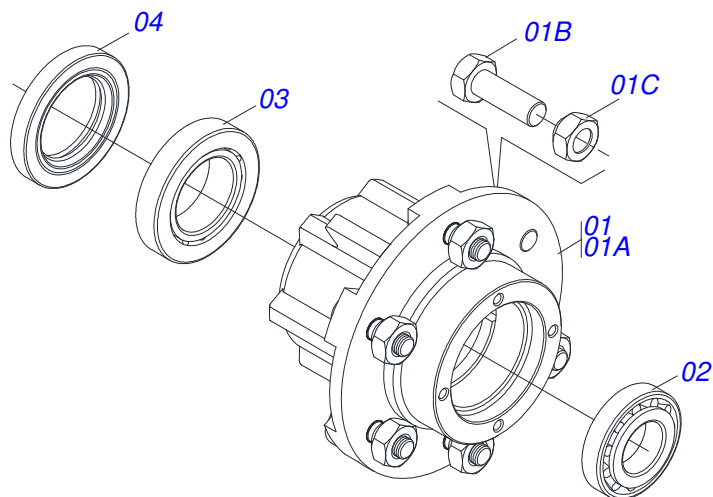


| Item | Code | Description | See page | 44 | 48 | 52 | 56 |
|------|------------|--|----------|----|----|----|----|
| 32A | 0503010893 | WHEEL | | 01 | 01 | 01 | 01 |
| 32B | 0503010033 | 7.50 X 16 INNER TIRE | | 01 | 01 | 01 | 01 |
| 32C | 0503010120 | CANVAS TIRE | | 01 | 01 | 01 | 01 |
| 33 | 0501065112 | CENTRAL FRONT FRAME - 44/48/52/56D | | 01 | 01 | 01 | 01 |
| 33A | 0501065117 | LEFT FRONT FRAME - 44D | | 01 | 00 | 00 | 00 |
| 33B | 0501065118 | LEFT FRONT FRAME - 48D | | 00 | 01 | 00 | 00 |
| 33C | 0501065119 | LEFT FRONT FRAME - 52D | | 00 | 00 | 01 | 00 |
| 33D | 0501065120 | LEFT FRONT FRAME - 56D | | 00 | 00 | 00 | 01 |
| 33E | 0501065113 | RIGHT FRONT FRAME - 44D | | 01 | 00 | 00 | 00 |
| 33F | 0501065114 | RIGHT FRONT FRAME - 48D | | 00 | 01 | 00 | 00 |
| 33G | 0501065115 | RIGHT FRONT FRAME - 52D | | 00 | 00 | 01 | 00 |
| 33H | 0501065116 | RIGHT FRONT FRAME - 56D | | 00 | 00 | 00 | 01 |
| 34 | 0501065134 | CENTRAL REAR FRAME - 44/48/52/56D | | 01 | 01 | 01 | 01 |
| 34A | 0501065121 | RIGHT REAR FRAME - 44D | | 01 | 00 | 00 | 00 |
| 34B | 0501065122 | RIGHT REAR FRAME - 48D | | 00 | 01 | 00 | 00 |
| 34C | 0501065123 | RIGHT REAR FRAME - 52D | | 00 | 00 | 01 | 00 |
| 34D | 0501065124 | RIGHT REAR FRAME - 56D | | 00 | 00 | 00 | 01 |
| 34E | 0501065125 | LEFT REAR FRAME - 44D | | 01 | 00 | 00 | 00 |
| 34F | 0501065126 | LEFT REAR FRAME - 48D | | 00 | 01 | 00 | 00 |
| 34G | 0501065127 | LEFT REAR FRAME - 52D | | 00 | 00 | 01 | 00 |
| 34H | 0501065128 | LEFT REAR FRAME - 56D | | 00 | 00 | 00 | 01 |
| 35 | 0501010660 | 1" X 1-3/4" X 11.4" COUPLING SHAFT | | 04 | 04 | 04 | 04 |
| 36 | 0501040877 | C1" X 3-1/2" BOLT ASSY | | 07 | 07 | 07 | 07 |
| 36A | 0501010171 | BOLT 1 UNC X 3.1/2 C S G.5 | | 01 | 01 | 01 | 01 |
| 36B | 0502012861 | 1" SQUARE WASHER | | 01 | 01 | 01 | 01 |
| 36C | 0501010065 | 1" SPRING WASHER | | 01 | 01 | 01 | 01 |
| 36D | 0503010012 | 1" SPRING WASHER | | 01 | 01 | 01 | 01 |
| 36E | 0501010059 | 1.5/8 NUT | | 01 | 01 | 01 | 01 |
| 37 | 0503011082 | C1/2" X 1.3/4" SCREW | | 34 | 38 | 42 | 46 |
| 38 | 0511017302 | FLAT WASHER 13,50 X 32,50 X 3,0 ZN | | 34 | 38 | 42 | 46 |
| 39 | 0503010019 | 1/2" SPRING WASHER | | 34 | 38 | 42 | 46 |
| 40 | 0503010060 | 1/2 UNC G.5 ZN HEX NUT | | 34 | 38 | 42 | 46 |
| 41 | 0501063963 | FRONT SCRAPER | | 13 | 15 | 17 | 19 |
| 42 | 0501063962 | REAR SCRAPER | | 13 | 15 | 17 | 19 |
| 43 | 0501041096 | DRAWBAR ASSY | | 01 | 01 | 01 | 01 |
| 43A | 0501060188 | DRAWBAR ASSY | | 01 | 01 | 01 | 01 |
| 43B | 0501060190 | TRACTOR HITCH | | 01 | 01 | 01 | 01 |
| 44 | 0501040343 | HITCH AXIS ASSY | | 01 | 01 | 01 | 01 |
| 44A | 0501010523 | DRAWBOLT | | 01 | 01 | 01 | 01 |
| 44B | 0503031035 | HITCH PIN CLIP | | 01 | 01 | 01 | 01 |
| 45 | 0501065130 | DRIVER ARM | | 04 | 04 | 04 | 04 |
| 46 | 0501065131 | DRIVER PIVOT | | 04 | 04 | 04 | 04 |
| 47 | 0521010585 | 0.9" X 5.9" COUPLING SHAFT | | 04 | 04 | 04 | 04 |
| 48 | 0521012532 | 0.9" X 3.9" COUPLING SHAFT | | 04 | 04 | 04 | 04 |
| 49 | 0501040257 | 3/4" X 38" HOSE SUPPORT ASSY | | 01 | 01 | 01 | 01 |
| 49A | 0511067334 | HOSE SUPPORT | | 01 | 01 | 01 | 01 |
| 49B | 0503010014 | 3/4" ZN G.5 (HEAVY) UNC HEX NUT | | 02 | 02 | 02 | 02 |
| 49C | 0501010322 | 20,50 X 46 X 4,00 ZN FLAT WASHER | | 02 | 02 | 02 | 02 |
| 50 | 0511010839 | TRANSPORT LOCK 7.9" X 2.1" X 0.4" | | 01 | 01 | 01 | 01 |
| 51 | 0501068994 | 8,30 X 78 LOCK PIN | | 01 | 01 | 01 | 01 |
| 52 | 0503030168 | HITCH PIN CLIP | | 01 | 01 | 01 | 01 |
| 53 | 0511018451 | 5/8" X 3/4" X 1" UNIVERSAL | | 01 | 01 | 01 | 01 |
| 54 | 0501010198 | 1-1/4" CABLE FLAT WRENCH | | 02 | 02 | 02 | 02 |
| 55 | 0501068273 | 5/8" WRENCH | | 01 | 01 | 01 | 01 |
| 56 | 0501061617 | 1" GANG BOLT WRENCH | | 01 | 01 | 01 | 01 |
| 57 | 0521055561 | BEATER ASSY | 4 | 04 | 04 | 04 | 04 |
| 58 | | HYDRAULIC CIRCUIT | 5 | | | | |
| 59 | | DISC GANG - 44/48/52/56D (MIXED DISCS) | 9 | | | | |
| 59. | | DISC GANG - 44/48/52/56D (NOTCHED DISCS) | 10 | | | | |
| 59.. | | DISC GANG - 56D (PLAIN DISCS) | 11 | | | | |



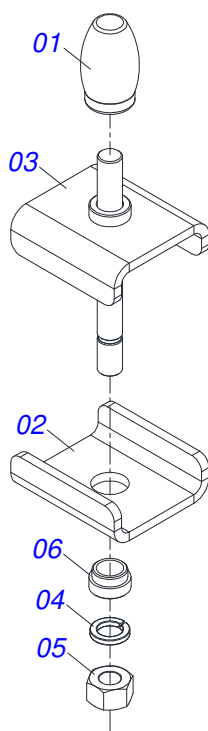
| Item | Code | Description | See page | QT |
|------|------------|--------------------------|----------|----|
| 01 | 0501051142 | CARRYING WHEEL HUB | 3 | 01 |
| 02 | 0521010821 | 2.5" X 16.5" AXLE | | 01 |
| 03 | 0501016545 | FLAT WASHER | | 01 |
| 04 | 0503030009 | 1" CASTLE NUT | | 01 |
| 05 | 0503010018 | 5/32" X 1-1/2" SPLIT PIN | | 01 |
| 06 | 0502020591 | PROTECTION LID | | 01 |
| 07 | 0503011444 | SPRING WASHER 5/16" | | 04 |
| 08 | 0503010358 | 5/16" X 5/8" BOLT | | 04 |
| 09 | 0503010002 | 1800 GREASE FITTING | | 01 |

CARRYING WHEEL HUB

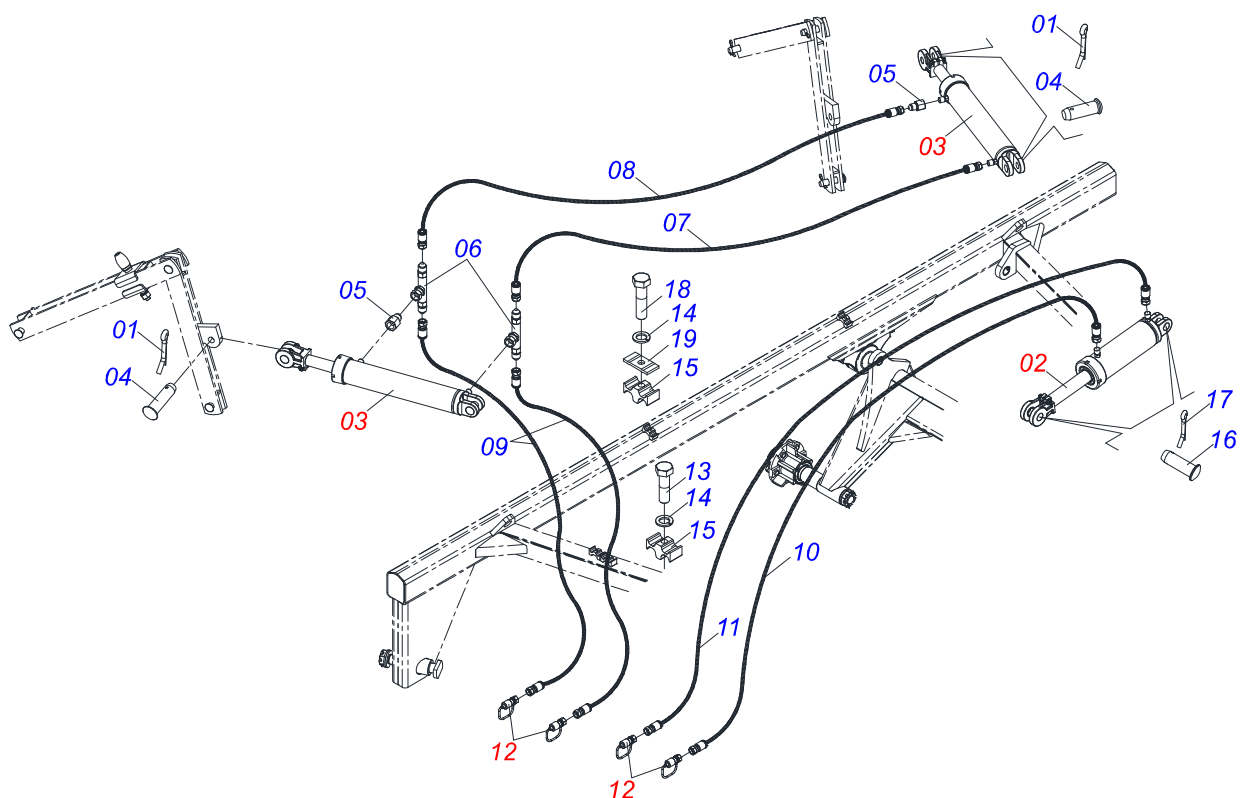


| Item | Code | Description | See page | QT |
|------|------------|-------------------------|----------|----|
| 01 | 0501110728 | WHEEL HUB | | 01 |
| 01A | 0502011121 | CARRYING WHEEL HUB | | 01 |
| 01B | 0501010127 | 9/16" X 1-7/8" LUG BOLT | | 06 |
| 01C | 0503010035 | 9/16" CONIC NUT | | 06 |
| 02 | 0503010037 | 30207 ROLLER BEARING | | 01 |
| 03 | 0503010006 | 32210 ROLLER BEARING | | 01 |
| 04 | 0503012928 | SEAL | | 01 |

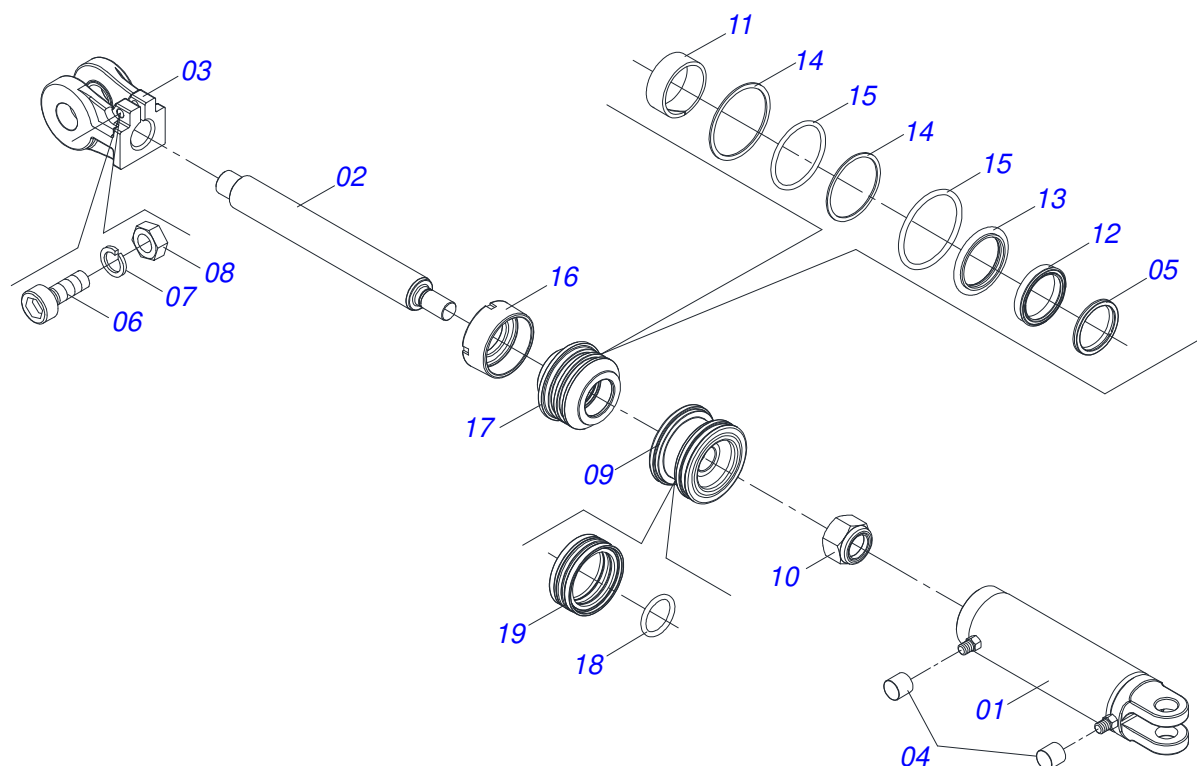
BEATER ASSY



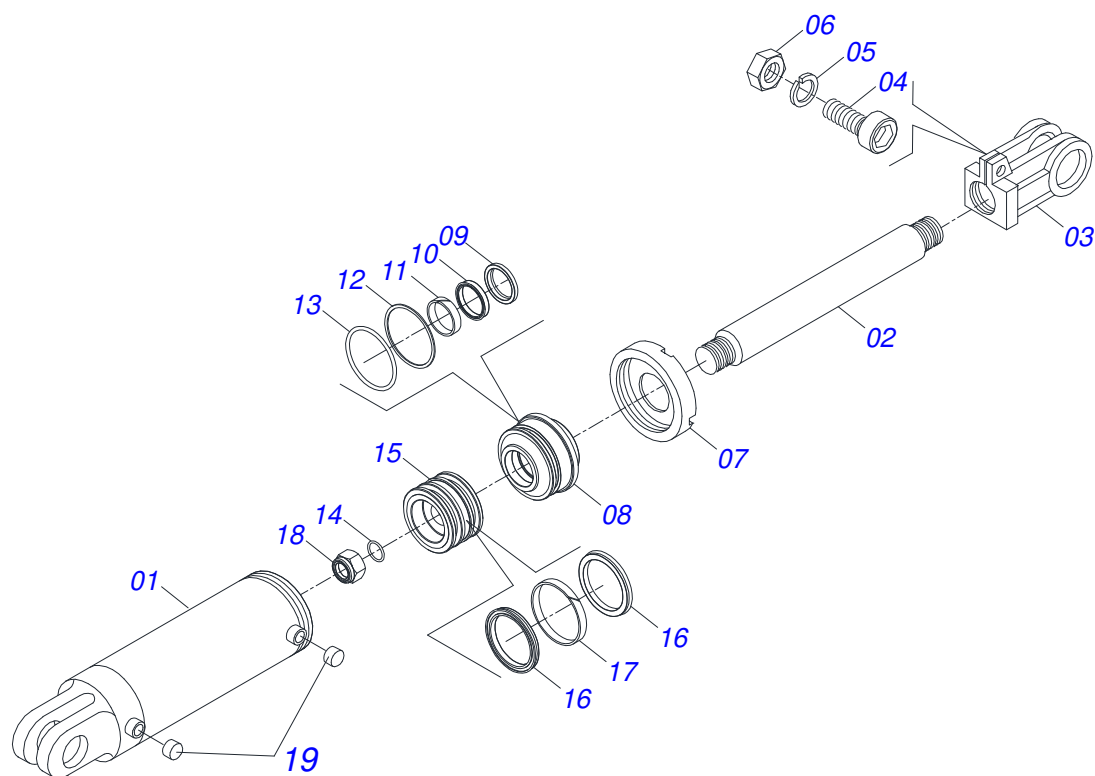
| Item | Code | Description | See page | QT |
|------|------------|-----------------------------------|----------|----|
| 01 | 0503030403 | 1.85" X 2.87" BEATER | | 01 |
| 02 | 0591010099 | U 101 X 35 X 8.00 X 110 WITH HOLE | | 01 |
| 03 | 0521069814 | BEATER SUPPORT | | 01 |
| 04 | 0503010023 | 3/4" SPRING WASHER | | 01 |
| 05 | 0503010014 | 3/4" ZN G.5 (HEAVY) UNC HEX NUT | | 01 |
| 06 | 0561017561 | BUSHING | | 01 |



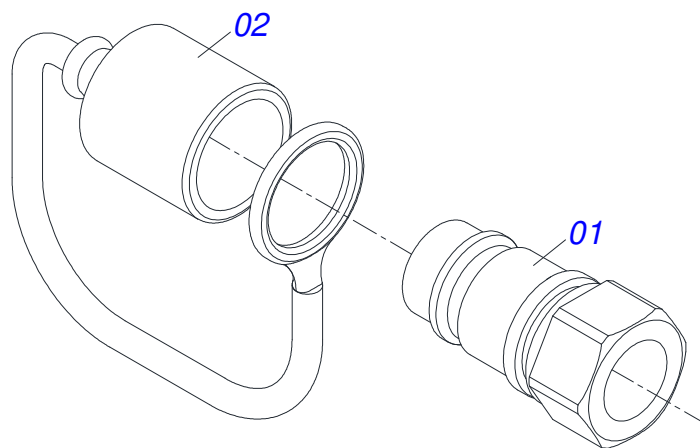
| Item | Code | Description | See page | QT |
|------|------------|---|----------|----|
| 01 | 0503010571 | 1/4" X 1.1/2" SPLIT PIN | | 17 |
| 02 | 0511059180 | HYDRAULIC CYLINDER 50,80 X 101,60 X 515 X 203 | 6 | 01 |
| 03 | 0501044311 | 1.7"X3.4"X31"X15" HYDRAULIC CYLINDER | 7 | 02 |
| 04 | 0521010576 | 0.9" X 3.7" COUPLING SHAFT | | 04 |
| 05 | 0511018012 | HIDRAULIC ADAPTER | | 02 |
| 06 | 0501065219 | T ADAPTER WITH SWIVEL NUT | | 02 |
| 07 | 0501080379 | 3/8" X 118.11" TR-TR HOSE | | 01 |
| 08 | 0501080403 | 3/8" X 137.79" TR-TR HOSE | | 01 |
| 09 | 0501080430 | 3/8" X 161.41" TC-TM HOSE | | 02 |
| 10 | 0501080443 | 3/8" X 236.22" TR-TM HOSE | | 01 |
| 11 | 0501080444 | 3/8" X 250" TR-TM HOSE | | 01 |
| 12 | 0501053834 | MALE QUICK COUPLER | 8 | 04 |
| 13 | 0503012555 | 7/16" UNC X 2" CS RT G.7 ZN SCREW | | 02 |
| 14 | 0503010180 | 7/16" SPRING WASHER | | 04 |
| 15 | 0502012702 | BODY SUPPORT CLAMP | | 04 |
| 16 | 0521012538 | 1.2" X 3.5" COUPLING SHAFT | | 02 |
| 17 | 0503010523 | 1/4 X 2 SPLIT PIN | | 02 |
| 18 | 0503011103 | BOLT 7/16" UNC X 2.1/2" C S G.5 ZN | | 02 |
| 19 | 0531011180 | SUPPORT | | 02 |



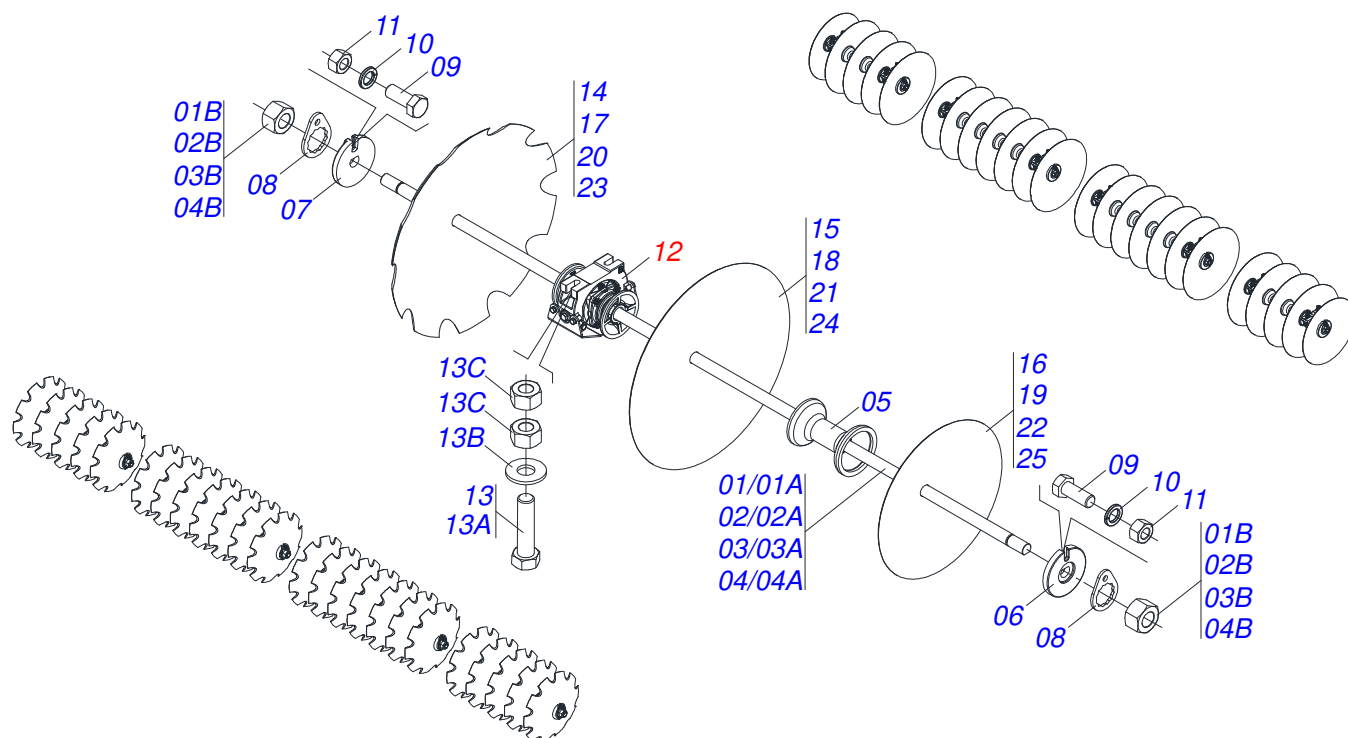
| Item | Code | Description | See page | QT |
|------|------------|---------------------------------|----------|----|
| 01 | 0511070658 | CYLINDER CASE 101,6 X 394 | | 01 |
| 02 | 0571019958 | HYDRAULIC CYLINDER TURNBUCKLE | | 01 |
| 03 | 0502040747 | 32.54 CLEVIS CLAMP | | 01 |
| 04 | 0503030385 | CYLINDER PLUG N-002 | | 02 |
| 05 | 0503010039 | D-2000 SCRAPER RING | | 01 |
| 06 | 0503011094 | BOLT 3/8" UNC X 2" C C S I 12.9 | | 01 |
| 07 | 0503011443 | SPRING WASHER 3/8" | | 01 |
| 08 | 0503010026 | 3/8" NUT | | 01 |
| 09 | 0502012820 | 2" X 4" PISTON | | 01 |
| 10 | 0503010817 | 1.1/4" SELF LOCKING NUT | | 01 |
| 11 | 0503018025 | RING GUIDE W2-2250-750 | | 01 |
| 12 | 0503018026 | GASKET 1870-2000-375 B POLYMAX | | 01 |
| 13 | 0503018024 | RING BS OD050805200171D-BR | | 01 |
| 14 | 0503011061 | 8-342 BACK-UP RING | | 02 |
| 15 | 0503010338 | 2-342 N 3006-9B O'RING | | 02 |
| 16 | 0502012822 | END CAP 4" | | 01 |
| 17 | 0502012821 | 2" X 4" RING SUPPORT | | 01 |
| 18 | 0503018029 | O'RING 2-217 N 3006 90B | | 01 |
| 19 | 0503015633 | SELEMASTER SEALING | | 01 |



| Item | Code | Description | See page | QT |
|------|------------|---------------------------------|----------|----|
| 01 | 0501065363 | 2.4" X 16" CYLINDER CASE | | 01 |
| 02 | 0511013609 | 1.7" X 27" TURNBUCLE | | 01 |
| 03 | 0502040493 | CLEVIS 26,50 R41 | | 01 |
| 04 | 0503011094 | BOLT 3/8" UNC X 2" C C S I 12.9 | | 01 |
| 05 | 0503010025 | 3/8" SPRING WASHER | | 01 |
| 06 | 0503010026 | 3/8" NUT | | 01 |
| 07 | 0502010993 | MOBILE LID | | 01 |
| 08 | 0502010781 | RING SUPPORT | | 01 |
| 09 | 0503010761 | D-1750 SCRAPER RING | | 01 |
| 10 | 0503010949 | W2-2000-500 PK RING G.E | | 01 |
| 11 | 0503010990 | GASKET | | 01 |
| 12 | 0503010976 | 2-336 N 3006-9B O'RING | | 01 |
| 13 | 0503011060 | 8-336 BACK-UP RING | | 01 |
| 14 | 0503010042 | 2-214 N 3006-9B O'RING | | 01 |
| 15 | 0502010843 | 1.8" X 3.4" PISTON | | 01 |
| 16 | 0503010170 | PACKING 3120 2750 | | 02 |
| 17 | 0503010948 | W4-3346-590 PK RING G.E | | 01 |
| 18 | 0503010063 | 1" SELF-ALIGNING NUT | | 01 |
| 19 | 0503030385 | CYLINDER PLUG N-002 | | 02 |
| 20 | 0501031796 | HYDRAULIC CYLINDER REPAIR KIT | | |



| Item | Code | Description | See page | QT |
|------|------------|--------------------------------|----------|----|
| 01 | 0503011627 | MALE QUICK COUPLER AGR 1/2 NPT | | 01 |
| 02 | 0503011882 | MALE QUICK COUPLER CAP | | 01 |



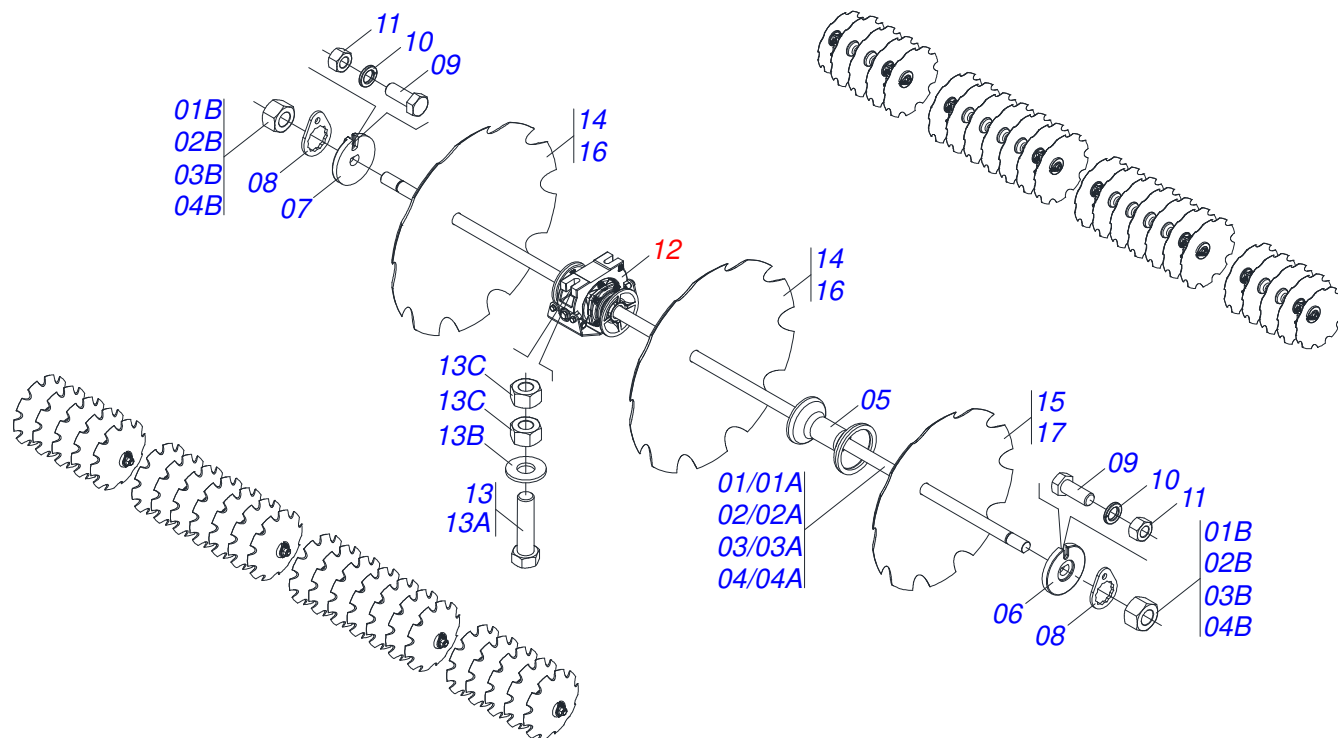
| Item | Code | Description | See page | 44 | 48 | 52 | 56 |
|------|------------|--|----------|----|----|----|----|
| 01 | 0501042407 | 1-1/4" X 27" AXLE WITH NUTS | | 04 | 00 | 00 | 00 |
| 01A | 0501016648 | 1-1/4" X 27" AXLE | | 01 | 00 | 00 | 00 |
| 01B | 0501010087 | 1.1/4" NUT | | 02 | 00 | 00 | 00 |
| 02 | 0501042202 | 1-1/4" X 50" AXLE WITH NUTS | | 04 | 04 | 04 | 08 |
| 02A | 0501016650 | 1-1/4" X 50" AXLE | | 01 | 01 | 01 | 01 |
| 02B | 0501010087 | 1.1/4" NUT | | 02 | 02 | 02 | 02 |
| 03 | 0501042262 | 1-1/4" X 35" AXLE WITH NUTS | | 00 | 04 | 00 | 00 |
| 03A | 0501016647 | 1-1/4" X 35" AXLE | | 00 | 01 | 00 | 00 |
| 03B | 0501010087 | 1.1/4" NUT | | 00 | 02 | 00 | 00 |
| 04 | 0501042201 | 1.1/4" X 1090 AXLE WITH NUTS | | 00 | 00 | 04 | 00 |
| 04A | 0501016649 | 1.1/4" X 1090 AXLE | | 00 | 00 | 01 | 00 |
| 04B | 0501010087 | 1.1/4" NUT | | 00 | 00 | 02 | 00 |
| 05 | 0502010549 | 7.6" X 1-1/4" SPACER | | 20 | 24 | 28 | 32 |
| 06 | 0502010834 | 1-1/4" INNER AXLE WASHER | | 08 | 08 | 08 | 08 |
| 07 | 0502010835 | 1-1/4" EXTERNAL AXLE WASHER | | 08 | 08 | 08 | 08 |
| 08 | 0501010455 | 1.1/4" NUT LOCK | | 16 | 16 | 16 | 16 |
| 09 | 0503010395 | 1/2" X 1-1/4" BOLT | | 16 | 16 | 16 | 16 |
| 10 | 0503010019 | 1/2" SPRING WASHER | | 16 | 16 | 16 | 16 |
| 11 | 0503010060 | 1/2 UNC G.5 ZN HEX NUT | | 16 | 16 | 16 | 16 |
| 12 | 0521047189 | 7.58" X 1.1/4" BEARING WITH PROTECTION | 12 | 16 | 16 | 16 | 16 |
| 13 | 0521059224 | BOLT ASSEMBLY 5/8 UNC X 2.3/4 | | 32 | 32 | 32 | 32 |
| 13A | 0501013233 | 5/8" X 2-3/4" BOLT | | 01 | 01 | 01 | 01 |
| 13B | 0501012140 | FLAT WASHER 16,50 X 40 X 4,00 ZN | | 01 | 01 | 01 | 01 |
| 13C | 0503010013 | 5/8 UNC G.5 ZN HEX NUT | | 02 | 02 | 02 | 02 |
| 14 | 0602027340 | DR 20 X 3,50 C57AF02FR1.5/16 10R | | 22 | 24 | 26 | 28 |
| 15 | 0601027301 | DL 20 X 3,50 C57AF02FR1.5/16 | | 20 | 22 | 24 | 26 |
| 16 | 0601025251 | DL 18 X 3,50 C45AF02FR1.5/16 | | 02 | 02 | 02 | 02 |
| 17 | 0602029421 | DR 22 X 4,50 C64AF02FR1.5/16 10R | | 22 | 24 | 26 | 28 |
| 18 | 0601029417 | DL 22 X 4,50 C64AF02FR1.5/16 | | 20 | 22 | 24 | 26 |
| 19 | 0601027301 | DL 20 X 3,50 C57AF02FR1.5/16 | | 02 | 02 | 02 | 02 |
| 20 | 0602027342 | DR 20 X 4,50 C57AF02FR1.5/16 10R | | 00 | 00 | 00 | 28 |
| 21 | 0601027304 | DL 20 X 4,50 C57AF02FR1.5/16 | | 00 | 00 | 00 | 26 |



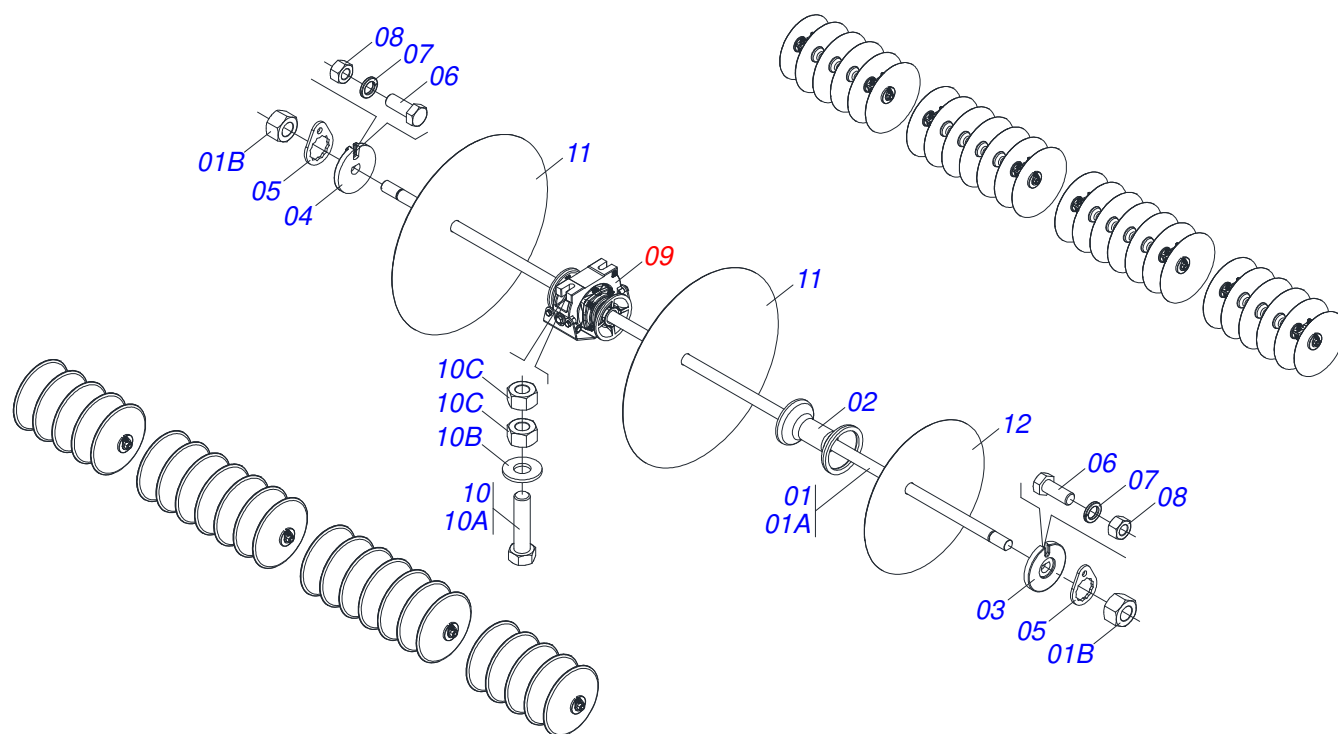
GNDH 44/48/52/56D - 1.1/4" SHAFT
DISC GANG - 44/48/52/56D (MIXED DISCS)

Page 9
0909097425

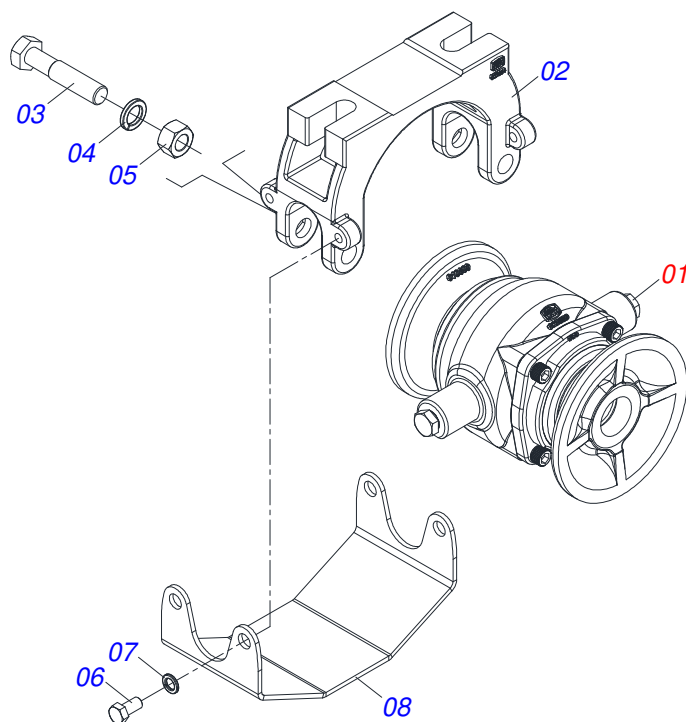
| Item | Code | Description | See page | 44 | 48 | 52 | 56 |
|------|------------|---------------------------------------|----------|----|----|----|----|
| 22 | 0601025251 | DL 18 X 3,50 C45AF02FR1.5/16 | | 00 | 00 | 00 | 02 |
| 23 | 0602030415 | DR 24 X 4,75 C66AF02FR1.5/16 D126 10R | | 00 | 00 | 26 | 00 |
| 24 | 0601031133 | DL 24 X 4,75 C66AF02FR1.5/16 | | 00 | 00 | 24 | 00 |
| 25 | 0601029422 | DL 22 X 4,50 C64AF02FR1.5/16 | | 00 | 00 | 02 | 00 |



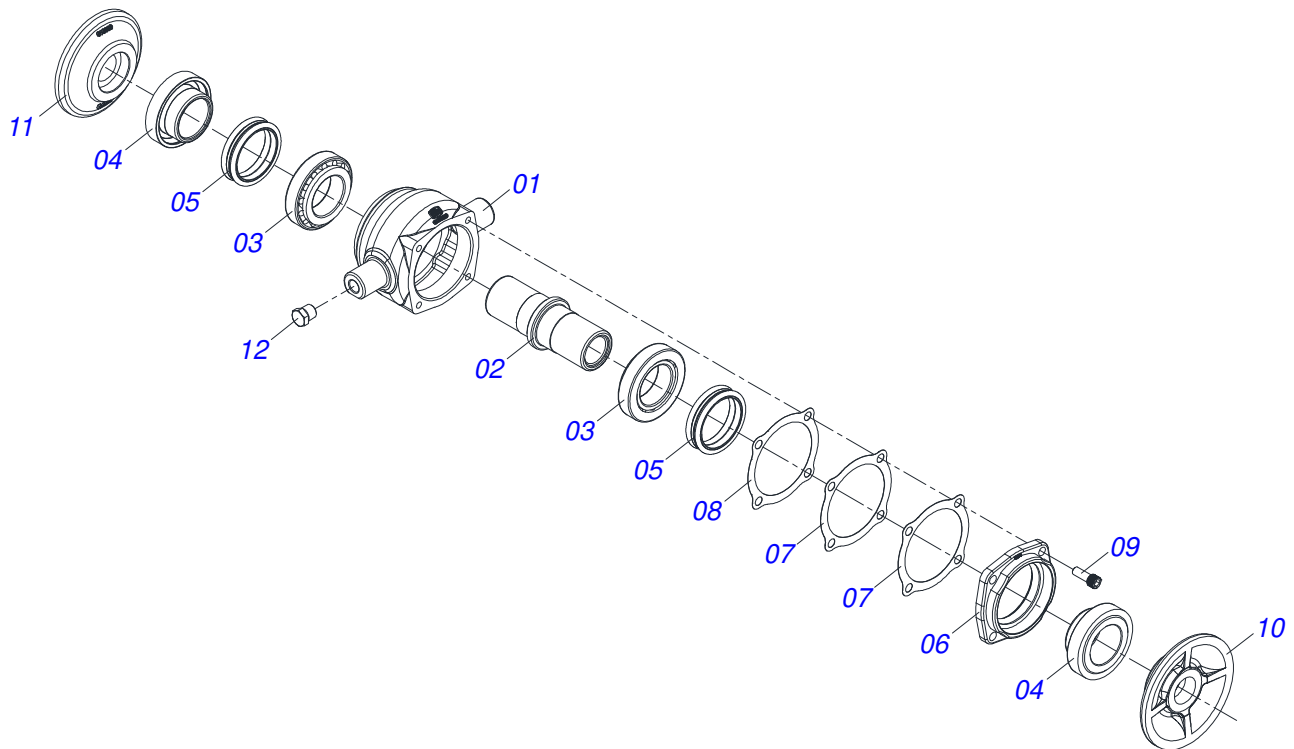
| Item | Code | Description | See page | 44 | 48 | 52 | 56 |
|------|------------|--|----------|----|----|----|----|
| 01 | 0501042407 | 1-1/4" X 27" AXLE WITH NUTS | | 04 | 00 | 00 | 00 |
| 01A | 0501016648 | 1-1/4" X 27" AXLE | | 01 | 00 | 00 | 00 |
| 01B | 0501010087 | 1.1/4" NUT | | 02 | 00 | 00 | 00 |
| 02 | 0501042202 | 1-1/4" X 50" AXLE WITH NUTS | | 04 | 04 | 04 | 08 |
| 02A | 0501016650 | 1-1/4" X 50" AXLE | | 01 | 01 | 01 | 01 |
| 02B | 0501010087 | 1.1/4" NUT | | 02 | 02 | 02 | 02 |
| 03 | 0501042262 | 1-1/4" X 35" AXLE WITH NUTS | | 00 | 04 | 00 | 00 |
| 03A | 0501016647 | 1-1/4" X 35" AXLE | | 00 | 01 | 00 | 00 |
| 03B | 0501010087 | 1.1/4" NUT | | 00 | 02 | 00 | 00 |
| 04 | 0501042201 | 1.1/4" X 1090 AXLE WITH NUTS | | 00 | 00 | 04 | 00 |
| 04A | 0501016649 | 1.1/4" X 1090 AXLE | | 00 | 00 | 01 | 00 |
| 04B | 0501010087 | 1.1/4" NUT | | 00 | 00 | 02 | 00 |
| 05 | 0502010549 | 7.6" X 1-1/4" SPACER | | 20 | 24 | 28 | 32 |
| 06 | 0502010834 | 1-1/4" INNER AXLE WASHER | | 08 | 08 | 08 | 08 |
| 07 | 0502010835 | 1-1/4" EXTERNAL AXLE WASHER | | 08 | 08 | 08 | 08 |
| 08 | 0501010455 | 1.1/4" NUT LOCK | | 16 | 16 | 16 | 16 |
| 09 | 0503010395 | 1/2" X 1-1/4" BOLT | | 16 | 16 | 16 | 16 |
| 10 | 0503010019 | 1/2" SPRING WASHER | | 16 | 16 | 16 | 16 |
| 11 | 0503010060 | 1/2 UNC G.5 ZN HEX NUT | | 16 | 16 | 16 | 16 |
| 12 | 0521047189 | 7.58" X 1.1/4" BEARING WITH PROTECTION | 12 | 16 | 16 | 16 | 16 |
| 13 | 0521059224 | BOLT ASSEMBLY 5/8 UNC X 2.3/4 | | 32 | 32 | 32 | 32 |
| 13A | 0501013233 | 5/8" X 2-3/4" BOLT | | 01 | 01 | 01 | 01 |
| 13B | 0501012140 | FLAT WASHER 16,50 X 40 X 4,00 ZN | | 01 | 01 | 01 | 01 |
| 13C | 0503010013 | 5/8 UNC G.5 ZN HEX NUT | | 02 | 02 | 02 | 02 |
| 14 | 0602029421 | DR 22 X 4,50 C64AF02FR1.5/16 10R | | 42 | 46 | 50 | 54 |
| 15 | 0602027342 | DR 20 X 4,50 C57AF02FR1.5/16 10R | | 02 | 00 | 02 | 02 |
| 15. | 0602027340 | DR 20 X 3,50 C57AF02FR1.5/16 10R | | 00 | 02 | 00 | 00 |
| 15.. | 0602027354 | DR 20 X 4,00 C57AF02FR1.5/16 10R | | 00 | 00 | 00 | 02 |
| 16 | 0602030415 | DR 24 X 4,75 C66AF02FR1.5/16 D126 10R | | 42 | 46 | 50 | 00 |
| 17 | 0602029421 | DR 22 X 4,50 C64AF02FR1.5/16 10R | | 02 | 02 | 02 | 00 |



| Item | Code | Description | See page | QT |
|------|------------|--|----------|----|
| 01 | 0501042202 | 1-1/4" X 50" AXLE WITH NUTS | | 08 |
| 01A | 0501016650 | 1-1/4" X 50" AXLE | | 01 |
| 01B | 0501010087 | 1.1/4" NUT | | 02 |
| 02 | 0502010549 | 7.6" X 1-1/4" SPACER | | 32 |
| 03 | 0502010834 | 1-1/4" INNER AXLE WASHER | | 08 |
| 04 | 0502010835 | 1-1/4" EXTERNAL AXLE WASHER | | 08 |
| 05 | 0501010455 | 1.1/4" NUT LOCK | | 16 |
| 06 | 0503010395 | 1/2" X 1-1/4" BOLT | | 16 |
| 07 | 0503010019 | 1/2" SPRING WASHER | | 16 |
| 08 | 0503010060 | 1/2 UNC G.5 ZN HEX NUT | | 16 |
| 09 | 0521047189 | 7.58" X 1.1/4" BEARING WITH PROTECTION | 12 | 16 |
| 10 | 0521059224 | BOLT ASSEMBLY 5/8 UNC X 2.3/4 | | 32 |
| 10A | 0501013233 | 5/8" X 2-3/4" BOLT | | 01 |
| 10B | 0501012140 | FLAT WASHER 16,50 X 40 X 4,00 ZN | | 01 |
| 10C | 0503010013 | 5/8 UNC G.5 ZN HEX NUT | | 02 |
| 11 | 0601029417 | DL 22 X 4,50 C64AF02FR1.5/16 | | 54 |
| 12 | 0601027301 | DL 20 X 3,50 C57AF02FR1.5/16 | | 02 |



| Item | Code | Description | See page | QT |
|------|------------|------------------------------------|----------|----|
| 01 | 0521050842 | 7.58" X 1.1/4" BEARING | 13 | 01 |
| 02 | 0502012854 | BEARING SUPPORT 182/192,5 | | 01 |
| 03 | 0501011541 | 5/8 UNC X 3 CS G.5 ZN1K28066 BOLT | | 02 |
| 04 | 0503010027 | 5/8 SPRING WASHER | | 02 |
| 05 | 0503010013 | 5/8 UNC G.5 ZN HEX NUT | | 02 |
| 06 | 0503011334 | 3/8 UNC X 3/4 CS G.5 ZN BOLT | | 04 |
| 07 | 0503010025 | 3/8" SPRING WASHER | | 04 |
| 08 | 0581014143 | SWIVEL OIL BATH BEARING WEAR PLATE | | 01 |



| Item | Code | Description | See page | QT |
|------|------------|--------------------------------|----------|----|
| 01 | 0502012839 | BEARING HOUSING 182/192,5 | | 01 |
| 02 | 0502040060 | AXLE CM/DM 182/192,5 SKF 32210 | | 01 |
| 03 | 0503010006 | 32210 ROLLER BEARING | | 02 |
| 04 | 0502010541 | SEAL HOLDER | | 02 |
| 05 | 0503030026 | SEAL LP JB-253 | | 02 |
| 06 | 0502020424 | HOUSING CAP 182/192,225 | | 01 |
| 07 | 0503030013 | 4.4" X 3.5" X 0.004" JOINT | | 02 |
| 08 | 0503030684 | 4.4" X 3.5" X 0.004" JOINT | | 01 |
| 09 | 0503010134 | 3/8" X 1" BOLT | | 04 |
| 10 | 0502010070 | OUTER FLANGE | | 01 |
| 11 | 0502010071 | INNER FLANGE | | 01 |
| 12 | 0503010856 | OIL PLUG R 3/8 BSPT | | 02 |



MARCHESAN

Technical Publications | Elaboration and Revision

LEONARDO JOSÉ DA SILVA SOUZA

www.marchesan.com.br

