

HINGE TYPE OFFSET DISK HARROW

GND 44/48/52/56D - (AXLE 1.1/4")
GND 44/48/52/56D - (EIXO 1.1/4")

Code: 0501093898
Series: S-0224
Revision: 00
Revision Date: JULY/2024

PARTS CATALOGUE



MARCHESAN



PRODUCTS

Code	Working Width	Description
0102150036		GND 44 X 20 X 3,50 MT DMO E 1.1/4 S-0224
0102150037C		GND 44 X 22 X 4,50 MT DMO E 1.1/4 EXP S-0224
0102150037		GND 44 X 22 X 4,50 MT DMO E 1.1/4 S-0224
0102150038		GND 48 X 20 X 3,50 MT DMO E.1.1/4 S-0224
0102150039C		GND 48 X 22 X 4,50 MT DMO E 1.1/4 EXP S-0224
0102150039		GND 48 X 22 X 4,50 MT DMO E 1.1/4 S-0224
0102150040		GND 52 X 20 X 3,50 MT DMO E 1.1/4 S-0224
0102150034		GND 52 X 22 X 4,50 DR DMO E 1.1/4 S-0224
0102150044		GND 52 X 22 X 4,50 MT DMO E 1.1/4 PN11L15 S-0224
0102150041		GND 52 X 22 X 4,50 MT DMO E 1.1/4 S-0224
0102150042		GND 56 X 20 X 3,50 MT DMO E 1.1/4 S-0224
0102150035		GND 56 X 22 X 4,50 DR DMO E 1.1/4 S-0224
0102150043		GND 56 X 22 X 4,50 MT DMO E 1.1/4 S-0224

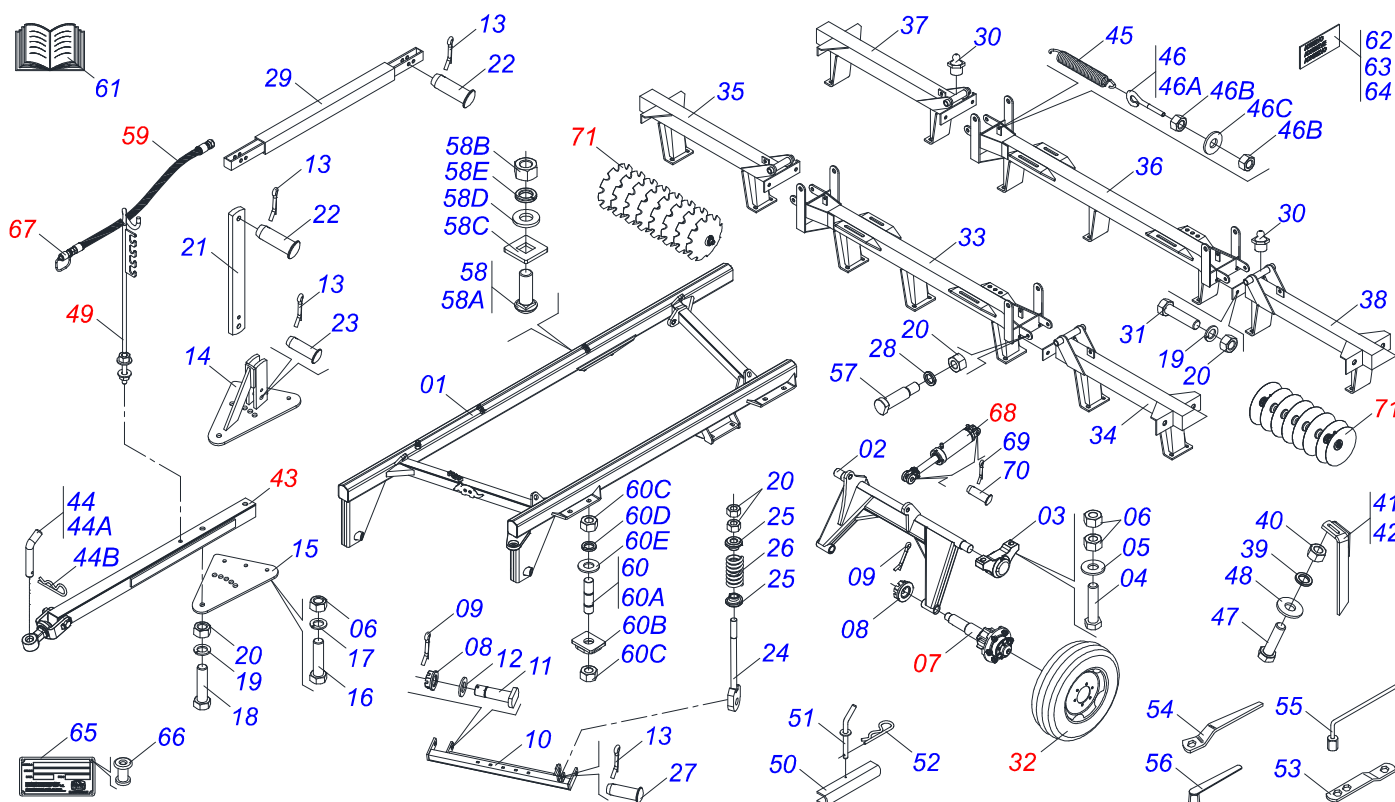
ATTENTION: IMPORTANT

Marchesan S.A. reserves the right to improve and/or modify the technical features of its products, without obligation to do the same with those products already sold and without prior knowledge of the dealer or the customer. The photos are only illustrative.



INDEX

0909097302	44/48/52/56D - FULL FRAME	1
0501051634	STUB SHAFT HUB ASSY	2
0501051142	CARRYING WHEEL HUB	3
0503060091	L 29.5" X 0.63"-10L WHEEL AND TIRE ASSY	4
0501041096	DRAWBAR ASSY	5
0501040257	3/4" X 38" HOSE SUPPORT ASSY	6
0503011360	HOSE KIT	7
0501053834	MALE QUICK COUPLER	8
0511059180	HYDRAULIC CYLINDER 50,80 X 101,60 X 515 X 203	9
0909097303	GANG DISC	10
0521047189	7.58" X 1.1/4" BEARING WITH PROTECTION	11
0521050842	7.58" X 1.1/4" BEARING	12

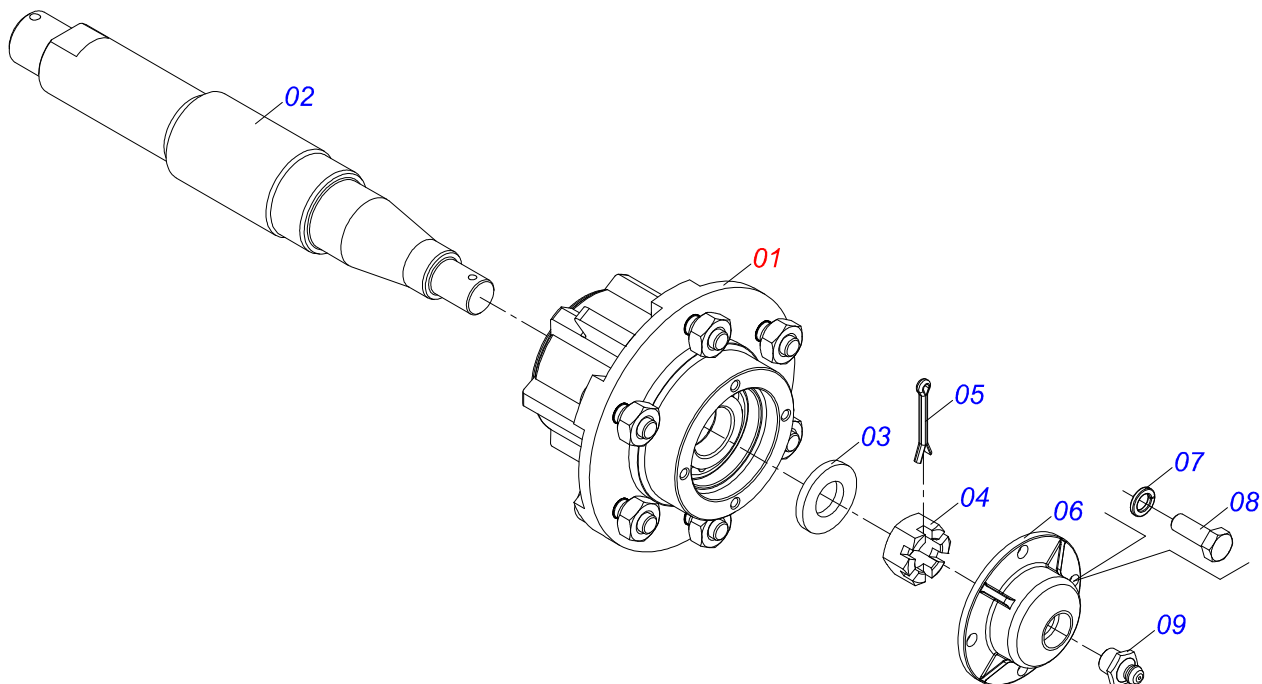


Item	Code	Description	See page	44	48	52	56
01	0521062511	FRAME		01	01	01	01
02	0501065518	CARRYING-WHEELS		01	01	01	01
03	0501110856	ARTICULATION BEARING		02	02	02	02
04	0503010797	3/4" X 4" BOLT		04	04	04	04
05	0501010322	20,50 X 46 X 4,00 ZN FLAT WASHER		04	04	04	04
06	0503010014	3/4" ZN G.5 (HEAVY) UNC HEX NUT		12	12	12	12
07	0501051634	STUB SHAFT HUB ASSY	2	02	02	02	02
08	0501011301	1.1/2" UNC 6FPP 2.5/16" NUT		04	04	04	04
09	0503010010	1/4" X 2.1/2" SPLIT PIN		04	04	04	04
10	0521062507	HITCH BAR		01	01	01	01
11	0531019497	1.5" X 9.2" ARTICULATED AXIS		02	02	02	02
12	0551012215	FLAT WASHER		02	02	02	02
13	0503010571	1/4" X 1.1/2" SPLIT PIN		17	17	17	17
14	0501066099	UPPER PLATE WITH SUPPORT		01	01	01	01
15	0501010241	UPPER /LOWER PLATE		01	01	01	01
16	0503011198	BOLT 3/4" UNC X 6" CS G.5		03	03	03	03
17	0503011442	3/4" SPRING WASHER		04	04	04	04
18	0501010060	1" X 6-1/2" BOLT		01	01	01	01
19	0503011438	SPRING WASHER		22	22	22	22
20	0501010059	1.5/8 NUT		24	24	24	24
21	0561019346	STABILIZER BAR TOWER		01	01	01	01
22	0521010575	C0.9" X 3.3" COUPLING SHAFT		03	03	03	03
23	0521810576	COUPLING SHAFT		01	01	01	01
24	0501064698	SPRING ROD		01	01	01	01
25	0502020392	SPRING SUPPORT		02	02	02	02
26	0503030441	12.7" X 5.7" X 0.5" SPRING		01	01	01	01
27	0521010592	1.1" X 3.1" COUPLING SHAFT		01	01	01	01
28	0503010012	1" SPRING WASHER		02	02	02	02
29	0501064696	STABILIZER BAR		01	01	01	01
30	0503010002	1800 GREASE FITTING		04	04	04	04
31	0501010276	BOLT		08	08	08	08
32	0503060091	L 29.5" X 0.63"-10L WHEEL AND TIRE ASSY	4	02	02	02	02

Item	Code	Description	See page	44	48	52	56
33	0501065515	CENTRAL FRONT FRAME		01	01	01	01
34	0501065503	LEFT FRONT FRAME		01	00	00	00
34.	0501065507	LEFT FRONT FRAME		00	01	00	00
34..	0501065511	LEFT FRONT FRAME		00	00	01	00
34...	0501065499	LEFT FRONT FRAME		00	00	00	01
35	0501065502	RIGHT FRONT FRAME		01	00	00	00
35.	0501065506	RIGHT FRONT FRAME		00	01	00	00
35..	0501065510	RIGHT FRONT FRAME		00	00	01	00
35...	0501065498	RIGHT FRONT FRAME		00	00	00	01
36	0501065516	REAR CENTER FRAME		01	01	01	01
37	0501065504	RIGHT REAR FRAME		01	00	00	00
37.	0501065508	RIGHT REAR FRAME		00	01	00	00
37..	0501065512	RIGHT REAR FRAME		00	00	01	00
37...	0501065500	RIGHT REAR FRAME		00	00	00	01
38	0501065505	LEFT REAR FRAME		01	00	00	00
38.	0501065509	LEFT REAR FRAME		00	01	00	00
38..	0501065513	LEFT REAR FRAME		00	00	01	00
38...	0501065501	LEFT REAR FRAME		00	00	00	01
39	0503010019	1/2" SPRING WASHER		34	38	42	46
40	0503010060	1/2 UNC G.5 ZN HEX NUT		34	38	42	46
41	0501063963	FRONT SCRAPER		13	15	17	19
42	0501063962	REAR SCRAPER		13	15	17	19
43	0501041096	DRAWBAR ASSY	5	01	01	01	01
44	0501040343	HITCH AXIS ASSY		01	01	01	01
44A	0501010523	DRAWBOLT		01	01	01	01
44B	0503031035	HITCH PIN CLIP		01	01	01	01
45	0503030238	2" X 20" X 0.2" EXTENSION SPRING		08	08	08	08
46	0501041337	SPRING REGATOR		08	08	08	08
46A	0501014445	SPRING REGULATOR		01	01	01	01
46B	0503010132	9/16" NUT		02	02	02	02
46C	0501012140	FLAT WASHER 16,50 X 40 X 4,00 ZN		02	02	02	02
47	0503011082	C1/2" X 1.3/4" SCREW		34	38	42	46
48	0511017302	FLAT WASHER 13,50 X 32,50 X 3,0 ZN		34	38	42	46
49	0501040257	3/4" X 38" HOSE SUPPORT ASSY	6	01	01	01	01
50	0511010839	TRANSPORT LOCK 7.9" X 2.1" X 0.4"		01	01	01	01
51	0501068994	8,30 X 78 LOCK PIN		01	01	01	01
52	0503030168	HITCH PIN CLIP		01	01	01	01
53	0511018451	5/8" X 3/4" X 1" UNIVERSAL		01	01	01	01
54	0501010198	1-1/4" CABLE FLAT WRENCH		02	02	02	02
55	0501068273	5/8" WRENCH		01	01	01	01
56	0501061617	1" GANG BOLT WRENCH		01	01	01	01
57	0501010660	1" X 1-3/4" X 11.4" COUPLING SHAFT		04	04	04	04
58	0501040877	C1" X 3-1/4" BOLT ASSY		07	07	07	07
58A	0501010171	BOLT 1 UNC X 3.1/2 C S G.5		01	01	01	01
58B	0501010059	1.5/8 NUT		01	01	01	01
58C	0502012861	1" SQUARE WASHER		01	01	01	01
58D	0501010065	1" SPRING WASHER		01	01	01	01
58E	0503010012	1" SPRING WASHER		01	01	01	01
59	0503011360	HOSE KIT	7	01	01	01	01
60	0521046345	PRISONER ASSEMBLY		01	01	01	01
60A	0581011662	PRISONER 1UNC X 1UNC X 105 SA		01	01	01	01
60B	0521066923	NUT LOCK		01	01	01	01
60C	0501010059	1.5/8 NUT		02	02	02	02
60D	0503010012	1" SPRING WASHER		01	01	01	01
60E	0501010065	1" SPRING WASHER		01	01	01	01
61	0501030821	PLASTIC COVER WITH INSTRUCTIONS MANUAL		01	01	01	01
62	0503060842	DECAL ASSY		01	01	01	01
63	0503031428	ATTENTION READ MANUAL DECAL		01	01	01	01
64	0503031087	AUTO CONTROL APPROVED DECAL		01	01	01	01
65	0503034003	61 X 118 SERIAL NUMBER TAG		01	01	01	01
66	0503010001	RIVET 3,2 X 5,5		04	04	04	04

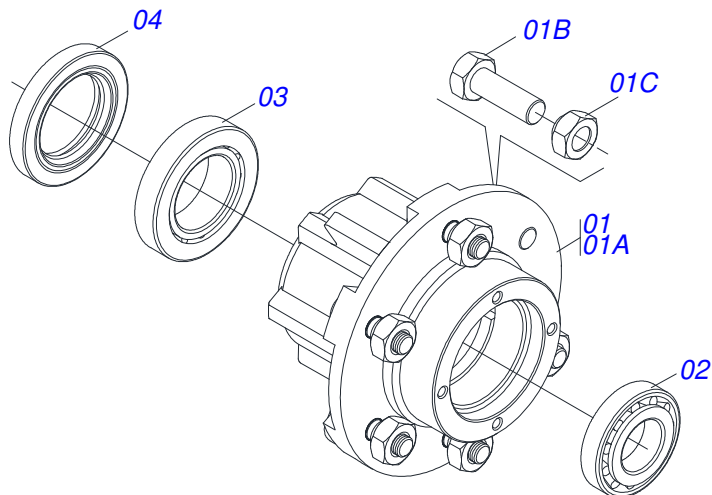


Item	Code	Description	See page	44	48	52	56
67	0501053834	MALE QUICK COUPLER	8	02	02	02	02
68	0511059180	HYDRAULIC CYLINDER 50,80 X 101,60 X 515 X 203	9	01	01	01	01
69	0503010523	1/4 X 2 SPLIT PIN		02	02	02	02
70	0521012538	1.2" X 3.5" COUPLING SHAFT		02	02	02	02
71		GANG DISC	10				

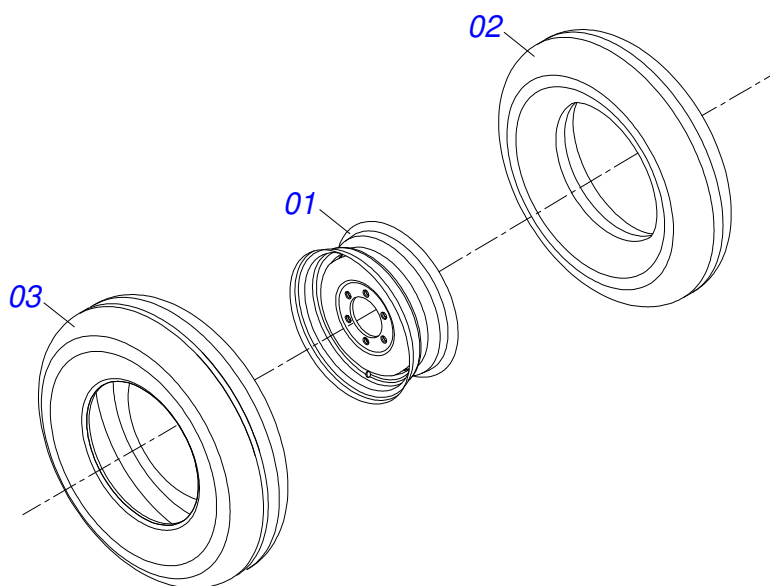


Item	Code	Description	See page	QT
01	0501051142	CARRYING WHEEL HUB	3	01
02	0521010821	2.5" X 16.5" AXLE		01
03	0501016545	FLAT WASHER		01
04	0503030009	1" CASTLE NUT		01
05	0503010018	5/32" X 1-1/2" SPLIT PIN		01
06	0502020591	PROTECTION LID		01
07	0503011444	SPRING WASHER 5/16"		04
08	0503010358	5/16" X 5/8" BOLT		04
09	0503010002	1800 GREASE FITTING		01

CARRYING WHEEL HUB

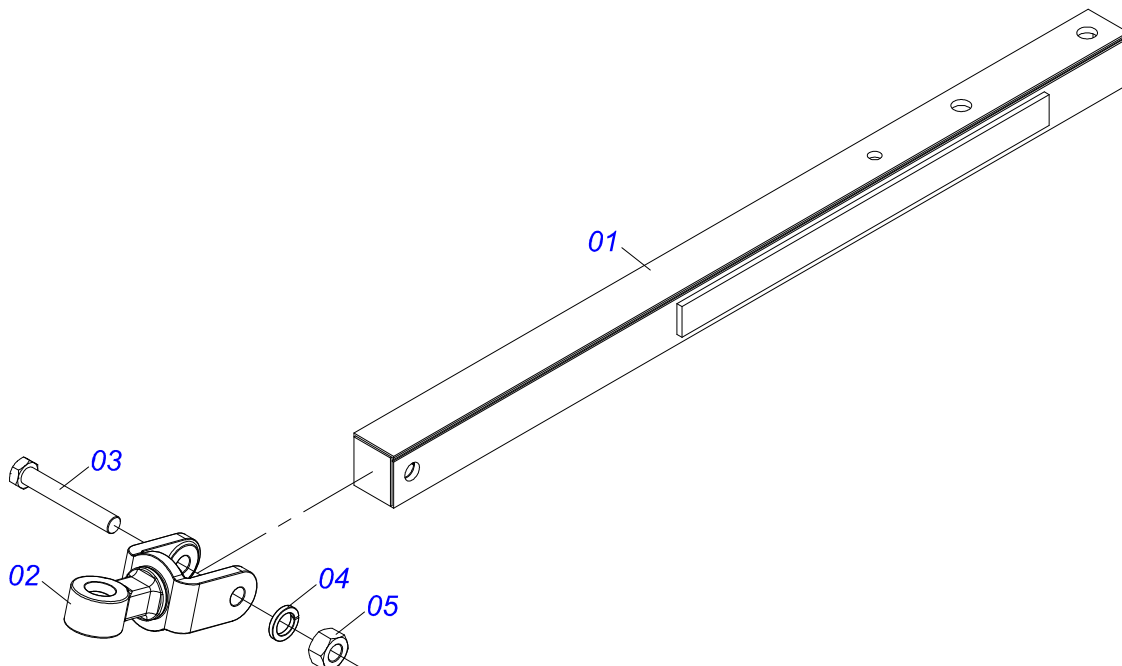


Item	Code	Description	See page	QT
01	0501110728	WHEEL HUB		01
01A	0502011121	CARRYING WHEEL HUB		01
01B	0501010127	9/16" X 1-7/8" LUG BOLT		06
01C	0503010035	9/16" CONIC NUT		06
02	0503010037	30207 ROLLER BEARING		01
03	0503010006	32210 ROLLER BEARING		01
04	0503012928	SEAL		01

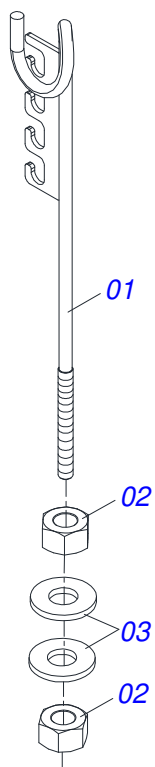


Item	Code	Description	See page	QT
01	0503010893	WHEEL		01
02	0503010033	7.50 X 16 INNER TIRE		01
03	0503010120	CANVAS TIRE		01

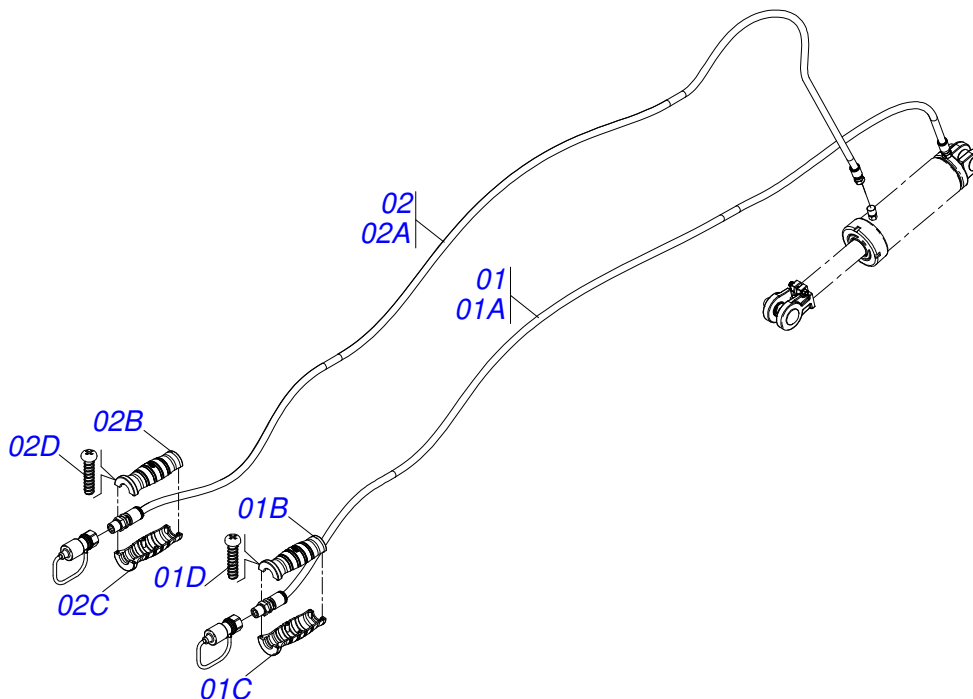
DRAWBAR ASSY



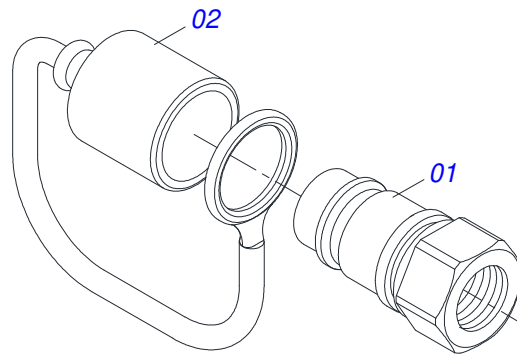
Item	Code	Description	See page	QT
01	0501060188	DRAWBAR ASSY		01
02	0521061775	TRACTOR HITCH		01
03	0501010060	1" X 6-1/2" BOLT		01
04	0503011438	SPRING WASHER		01
05	0501010059	1.5/8 NUT		01



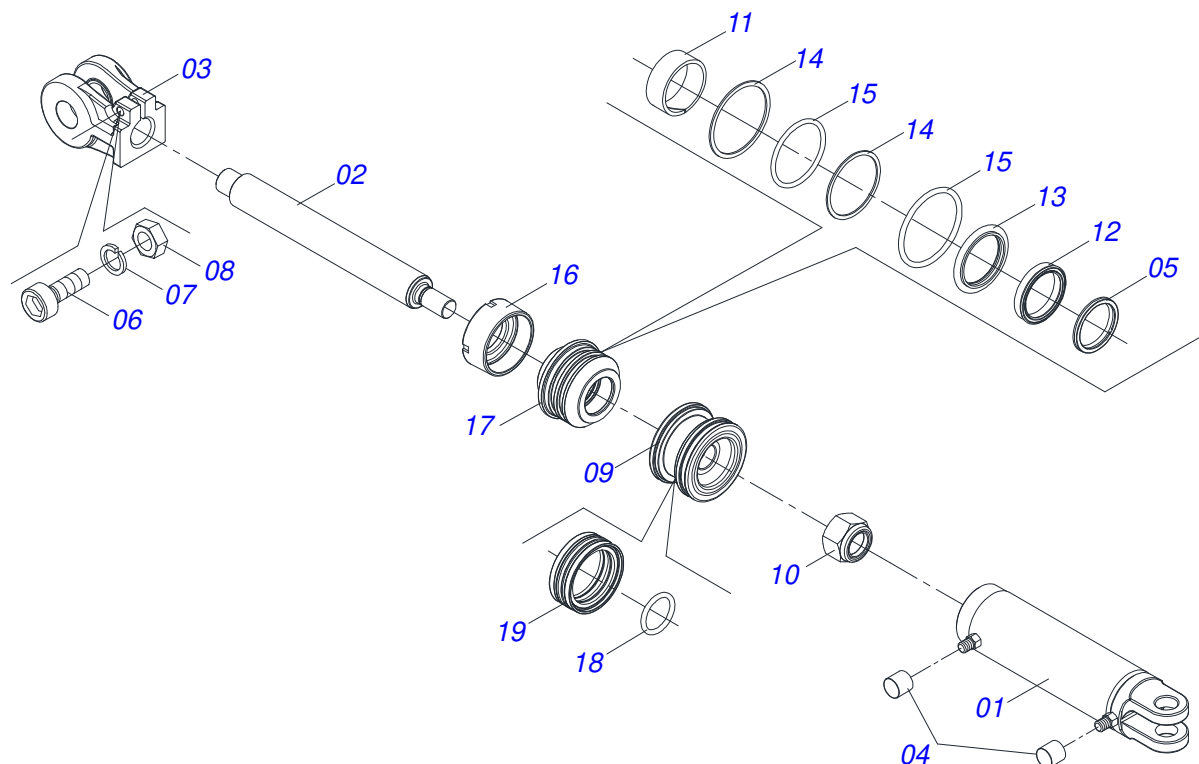
Item	Code	Description	See page	QT
01	0511067334	HOSE SUPPORT		01
02	0503010014	3/4" ZN G.5 (HEAVY) UNC HEX NUT		02
03	0501010322	20,50 X 46 X 4,00 ZN FLAT WASHER		02



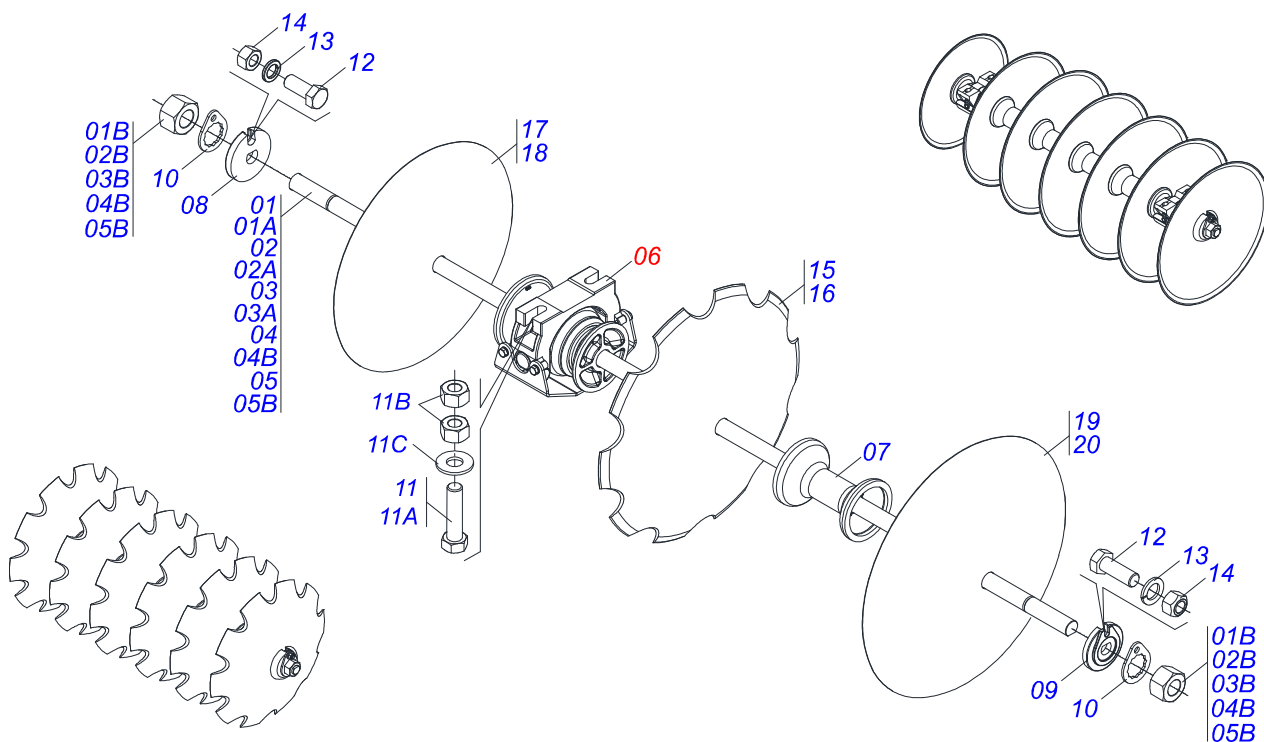
Item	Code	Description	See page	QT
01	0521056233	3/8" X 236.22" TR-TM BLACK/RED HOSE		01
01A	0501080443	3/8" X 236.22" TR-TM HOSE		01
01B	0503034495	HYDRAULIC HOSE GRIP (RED)		01
01C	0503034492	HYDRAULIC HOSE GRIP (BLACK)		01
01D	0503018952	PH 2,5 X 10 ZB PLASTIC BOLT		06
02	0521055893	3/8" X 230" TR-TM BLACK/BLUE HOSE		01
02A	0501080421	3/8" X 230" TR-TM HOSE		01
02B	0503034492	HYDRAULIC HOSE GRIP (BLACK)		01
02C	0503034494	HYDRAULIC HOSE GRIP (BLUE)		01
02D	0503018952	PH 2,5 X 10 ZB PLASTIC BOLT		06



Item	Code	Description	See page	QT
01	0503011627	MALE QUICK COUPLER AGR 1/2 NPT		01
02	0503011882	MALE QUICK COUPLER CAP		01



Item	Code	Description	See page	QT
01	0511070658	CYLINDER CASE 101,6 X 394		01
02	0571019958	HYDRAULIC CYLINDER TURNBUCKLE		01
03	0502040747	32.54 CLEVIS CLAMP		01
04	0503030385	CYLINDER PLUG N-002		02
05	0503010039	D-2000 SCRAPER RING		01
06	0503011094	BOLT 3/8" UNC X 2" C C S I 12.9		01
07	0503011443	SPRING WASHER 3/8"		01
08	0503010026	3/8" NUT		01
09	0502012820	2" X 4" PISTON		01
10	0503010817	1.1/4" SELF LOCKING NUT		01
11	0503018025	RING GUIDE W2-2250-750		01
12	0503018026	GASKET 1870-2000-375 B POLYMAX		01
13	0503018024	RING BS OD050805200171D-BR		01
14	0503011061	8-342 BACK-UP RING		02
15	0503010338	2-342 N 3006-9B O'RING		02
16	0502012822	END CAP 4"		01
17	0502012821	2" X 4" RING SUPPORT		01
18	0503018029	O'RING 2-217 N 3006 90B		01
19	0503015633	SELEMASTER SEALING		01



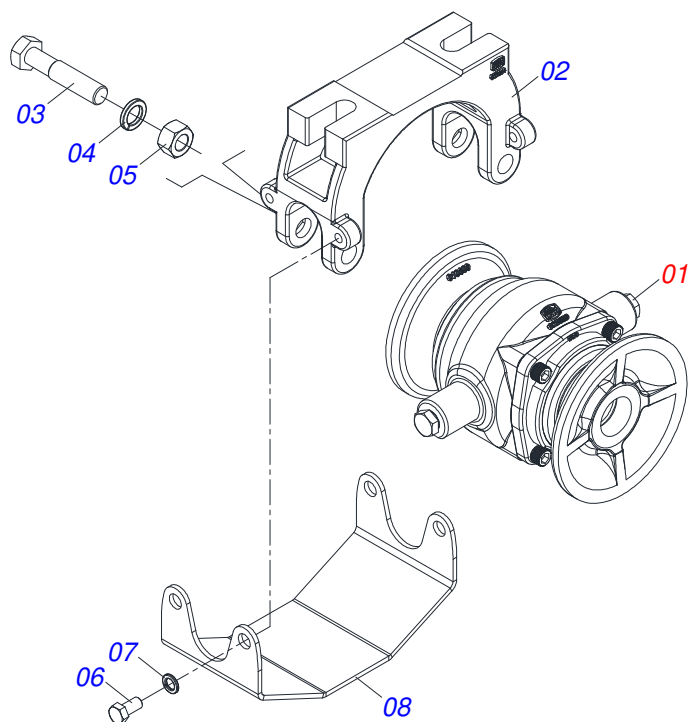
Item	Code	Description	See page	44	48	52	56
01	0501042407	1-1/4" X 27" AXLE WITH NUTS		04	00	00	00
01A	0501016648	1-1/4" X 27" AXLE		01	00	00	00
01B	0501010087	1.1/4" NUT		02	00	00	00
02	0501042202	1-1/4" X 50" AXLE WITH NUTS		04	04	00	00
02A	0501016650	1-1/4" X 50" AXLE		01	01	00	00
02B	0501010087	1.1/4" NUT		02	02	00	00
03	0501042202	1-1/4" X 50" AXLE WITH NUTS		00	04	04	00
03A	0501016650	1-1/4" X 50" AXLE		00	01	01	00
03B	0501010087	1.1/4" NUT		00	02	02	00
04	0501042201	1.1/4" X 1090 AXLE WITH NUTS		00	00	04	00
04A	0501016649	1.1/4" X 1090 AXLE		00	00	01	00
04B	0501010087	1.1/4" NUT		00	00	02	00
05	0511043293	1.1/2 X AXLE W/NUT		00	00	00	08
05A	0541014457	1.1/2" 6FPP X 1285 AXLE		01	00	00	01
05B	0501010110	1.1/2 NC 6FPP 2.3/8 HEXAGONAL NUT		00	00	00	02
06	0521047189	7.58" X 1.1/4" BEARING WITH PROTECTION	11	16	16	16	16
07	0502010549	7.6" X 1-1/4" SPACER		20	24	28	32
08	0502010834	1-1/4" INNER AXLE WASHER		08	08	08	08
09	0502010835	1-1/4" EXTERNAL AXLE WASHER		08	08	08	08
10	0501010455	1.1/4" NUT LOCK		16	16	16	16
11	0521059224	BOLT ASSEMBLY 5/8 UNC X 2.3/4		32	32	32	32
11A	0501013233	5/8" X 2-3/4" BOLT		01	01	01	01
11B	0503010013	5/8 UNC G.5 ZN HEX NUT		02	02	02	02
11C	0501012140	FLAT WASHER 16,50 X 40 X 4,00 ZN		01	01	01	01
12	0503010395	1/2" X 1-1/4" BOLT		16	16	16	16
13	0503010019	1/2" SPRING WASHER		16	16	16	16
14	0503010060	1/2 UNC G.5 ZN HEX NUT		16	16	16	16
15	0602027340	DR 20 X 3,50 C57AF02FR1.5/16 10R		44	48	52	56
16	0602029421	DR 22 X 4,50 C64AF02FR1.5/16 10R		44	48	52	56
17	0601025251	DL 18 X 3,50 C45AF02FR1.5/16		44	48	52	56
18	0601027301	DL 20 X 3,50 C57AF02FR1.5/16		44	48	52	56
19	0601029417	DL 22 X 4,50 C64AF02FR1.5/16		44	48	52	56



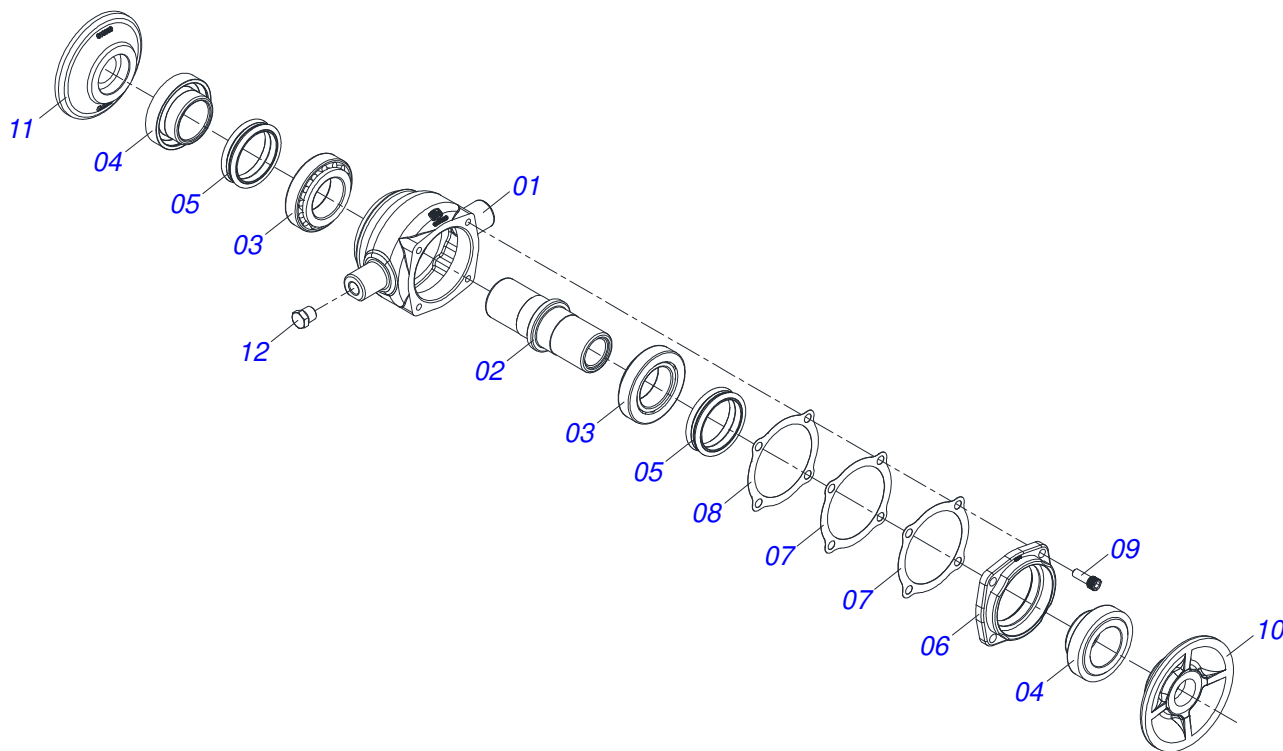
GANG DISC

0909097303

Item	Code	Description	See page	44	48	52	56
20	0601027301	DL 20 X 3,50 C57AF02FR1.5/16		44	48	52	56



Item	Code	Description	See page	QT
01	0521050842	7.58" X 1.1/4" BEARING	12	01
02	0502012854	BEARING SUPPORT 182/192,5		01
03	0501011541	5/8 UNC X 3 CS G.5 ZN1K28066 BOLT		02
04	0503010027	5/8 SPRING WASHER		02
05	0503010013	5/8 UNC G.5 ZN HEX NUT		02
06	0503011334	3/8 UNC X 3/4 CS G.5 ZN BOLT		04
07	0503010025	3/8" SPRING WASHER		04
08	0581014143	SWIVEL OIL BATH BEARING WEAR PLATE		01



Item	Code	Description	See page	QT
01	0502012839	BEARING HOUSING 182/192,5		01
02	0502040060	AXLE CM/DM 182/192,5 SKF 32210		01
03	0503010006	32210 ROLLER BEARING		02
04	0502010541	SEAL HOLDER		02
05	0503030026	SEAL LP JB-253		02
06	0502020424	HOUSING CAP 182/192,225		01
07	0503030013	4.4" X 3.5" X 0.004" JOINT		02
08	0503030684	4.4" X 3.5" X 0.004" JOINT		01
09	0503010134	3/8" X 1" BOLT		04
10	0502010070	OUTER FLANGE		01
11	0502010071	INNER FLANGE		01
12	0503010856	OIL PLUG R 3/8 BSPT		02



MARCHESAN

Technical Publications | Elaboration and Revision

LUIZ CANDIDO

www.marchesan.com.br

