

**ROW CROP PLANTERS**

**STP2 - 02/03/04/05/06 ROWS**  
**STP2 - 02/03/04/05/06 LINHAS**

**Code:** 0501093897  
**Series:** S-0600  
**Revision:** 00  
**Revision Date:** SEPTEMBER/2024

# PARTS CATALOGUE



**MARCHESAN**



# PRODUCTS

Code	Working Width	Description	
0111010420		STP2 2L 1800 SD B B	S-0600
0111010404		STP2 2L 1800 SD B F	S-0600
0111010412		STP2 2L 1800 SD F B	S-0600
0111010396		STP2 2L 1800 SD F F	S-0600
0111010001		STP2 2L 1800 SD F F KE	S-0600
0111010421		STP2 3L 1800 SD B B	S-0600
0111010405		STP2 3L 1800 SD B F	S-0600
0111010413		STP2 3L 1800 SD F B	S-0600
0111010397		STP2 3L 1800 SD F F	S-0600
0111010422		STP2 3L 2800 SD B B	S-0600
0111010406		STP2 3L 2800 SD B F	S-0600
0111010414		STP2 3L 2800 SD F B	S-0600
0111010398		STP2 3L 2800 SD F F	S-0600
0111010423		STP2 4L 2800 SD B B	S-0600
0111010012		STP2 4L 2800 SD B B S/MA	S-0600
0111010407		STP2 4L 2800 SD B F	S-0600
0111010415		STP2 4L 2800 SD F B	S-0600
0111010399		STP2 4L 2800 SD F F	S-0600
0111010424		STP2 4L 3600 SD B B	S-0600
0111010408		STP2 4L 3600 SD B F	S-0600
0111010416		STP2 4L 3600 SD F B	S-0600
0111010400		STP2 4L 3600 SD F F	S-0600
0111010441		STP2 4L 3600 SD F F KE	S-0600
0111010425		STP2 5L 2800 SD B B	S-0600
0111010409		STP2 5L 2800 SD B F	S-0600
0111010417		STP2 5L 2800 SD F B	S-0600
0111010401		STP2 5L 2800 SD F F	S-0600
0111010426		STP2 5L 3600 SD B B	S-0600
0111010410		STP2 5L 3600 SD B F	S-0600
0111010418		STP2 5L 3600 SD F B	S-0600

## ATTENTION: IMPORTANT

Marchesan S.A. reserves the right to improve and/or modify the technical features of its products, without obligation to do the same with those products already sold and without prior knowledge of the dealer or the customer. The photos are only illustrative.



# PRODUCTS

0111010402	STP2 5L 3600 SD F F	S-0600
0111010427	STP2 6L 3600 SD B B	S-0600
0111010411	STP2 6L 3600 SD B F	S-0600
0111010419	STP2 6L 3600 SD F B	S-0600
0111010403	STP2 6L 3600 SD F F	S-0600

## ATTENTION: IMPORTANT

Marchesan S.A. reserves the right to improve and/or modify the technical features of its products, without obligation to do the same with those products already sold and without prior knowledge of the dealer or the customer. The photos are only illustrative.

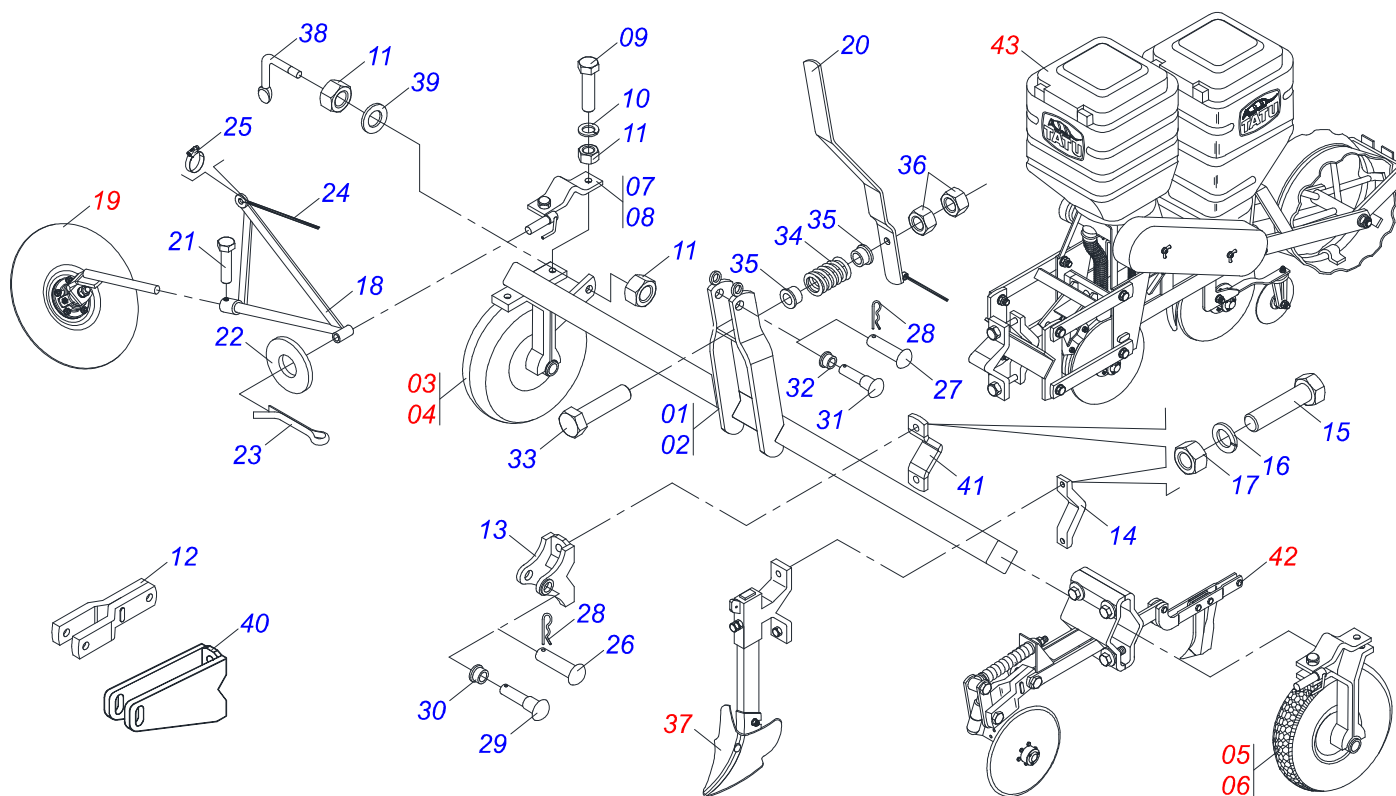


**MARCHESAN**

# INDEX

0909091004	ASSY FRAME	.....	1
0501043479	RIGHT BEARING IRON SUSTAINING WHEEL	.....	2
0501043528	LEFT BEARING IRON SUSTAINING WHEEL	.....	3
0501043474	RIGHT RUBBER WHELLS	.....	4
0501043651	LEFT IRON WHEEL	.....	5
0501050393	ROW MARKER ARM	.....	6
0501044547	8 POINT SUBSOILER	.....	7
0501047839	COMPLETE FURROWER ARM	.....	8
0909091005	SEMI DIRECT DC ROD ASSEMBLY (OPTIONAL)	.....	9
0909094711	SEED/FERTILIZER ROW ASSY	.....	10
0501052934	ROW INDIVIDUAL WITHOUT DD RUBBER FERTILIZER	.....	11
0501052933	ROW INDIVIDUAL WITHOUT DD IRON FERTILIZER	.....	12
0501043171	FERTILIZER TENSIONER CHAIN ASSY	.....	13
0501052390	13" X 13" DOUBLE DISC ASSY	.....	14
0501040742	LEFT COVER DISC COMPLETE	.....	15
0501050061	LEFT COVERING DISC	.....	16
0501040208	RUBBER COMPACTOR WHEEL	.....	17
0501043172	SEED CHAIN TENSIONER ASSY	.....	18
0501051765	FERTILIZER HOPPER ASSY	.....	19
0501053058	DISTRIBUTOR FERTILIZER AXLE ASSY	.....	20
0501050621	SEED SYSTEM ASSY	.....	21
0501042036	COMPLETE RIGHT COVER DISC	.....	22
0501050234	RIGHT COVERING DISK	.....	23
0501051119	DOUBLE PULLEY ROCKER'S	.....	24

ASSY FRAME



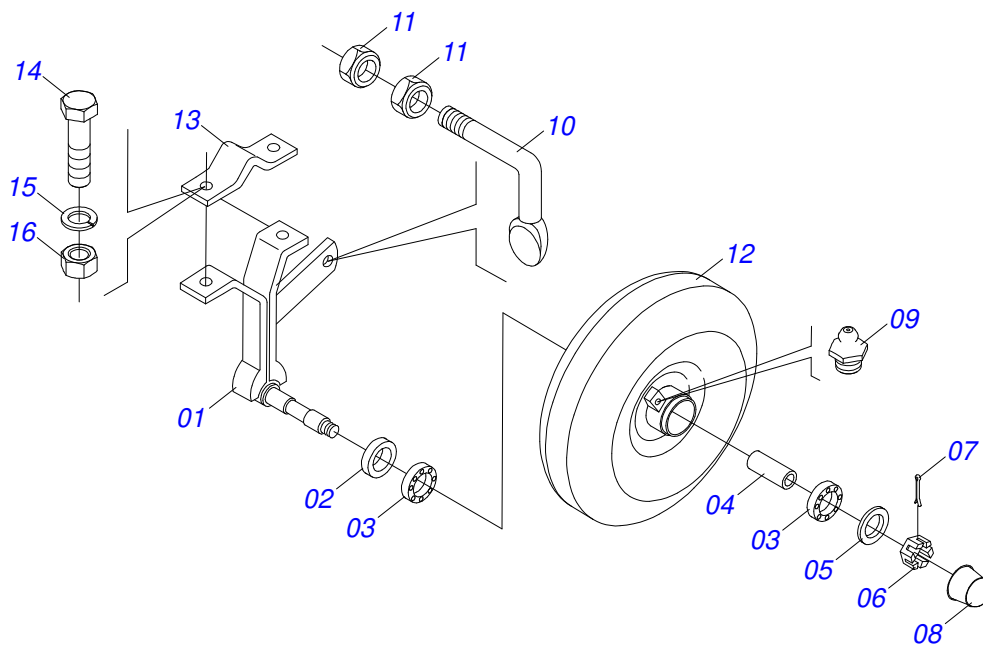
Item	Code	Description	See page	02	03	04	05	06
01	0501065187	1800 FRAME		01	01	00	00	00
01.	0501065188	2800 FRAME		01	01	01	01	00
02	0501065189	3600 FRAME		00	00	01	01	01
03	0501043479	RIGHT BEARING IRON SUSTAINING WHEEL	2	01	01	01	01	01
04	0501043528	LEFT BEARING IRON SUSTAINING WHEEL	3	01	01	01	01	01
05	0501043474	RIGHT RUBBER WHELLS	4	01	01	01	01	01
06	0501043651	LEFT IRON WHEEL	5	01	01	01	01	01
07	0501065193	RH ROW MARKER FIXER		01	01	01	01	01
08	0501065194	LH ROW MARKER FIXER		01	01	01	01	01
09	0501011541	5/8 UNC X 3 CS G.5 ZN1K28066 BOLT		04	04	04	04	04
10	0503010027	5/8 SPRING WASHER		04	04	04	04	04
11	0503010013	5/8 UNC G.5 ZN HEX NUT		08	08	08	08	08
12	0501067684	HITCH		02	02	02	02	02
13	0502010800	FIXER HITCH FRAME		02	02	02	02	02
14	0502010175	HITCH CLAMP		08	10	12	14	16
15	0503010797	3/4" X 4" BOLT		12	14	16	18	20
16	0503010023	3/4" SPRING WASHER		12	14	16	18	20
17	0503010014	3/4" ZN G.5 (HEAVY) UNC HEX NUT		12	14	16	18	20
18	0501065195	LARGER ROW MARKER SUPPORT		02	02	02	02	02
19	0501050393	ROW MARKER ARM	6	02	02	02	02	02
20	0501068979	ROW MARKER PIVOT		01	01	01	01	01
21	0503010834	1/2 X 1 BOLT		02	02	02	02	02
22	0501011445	FLAT WASHER		02	02	02	02	02
23	0503010018	5/32" X 1-1/2" SPLIT PIN		02	02	02	02	02
24	0511010367	3/8" X 39,37" LEVER ROPE		02	02	00	00	00
24.	0511010368	ROPE 3/8" X 1500 LEVER		00	00	02	02	00
24..	0511010369	ROPE 3/8" X 1900 LEVER		00	00	00	00	02
25	0503010296	CLAMP		02	02	02	02	02
26	0521010595	1.1" X 4.3" COUPLING SHAFT		02	02	02	02	02
27	0521010578	COUPLING SHAFT		02	02	02	02	02
28	0503031035	HITCH PIN CLIP		04	04	04	04	04
29	0521010631	1.1" X 4.33" COUPLING SHAFT		02	02	02	02	02



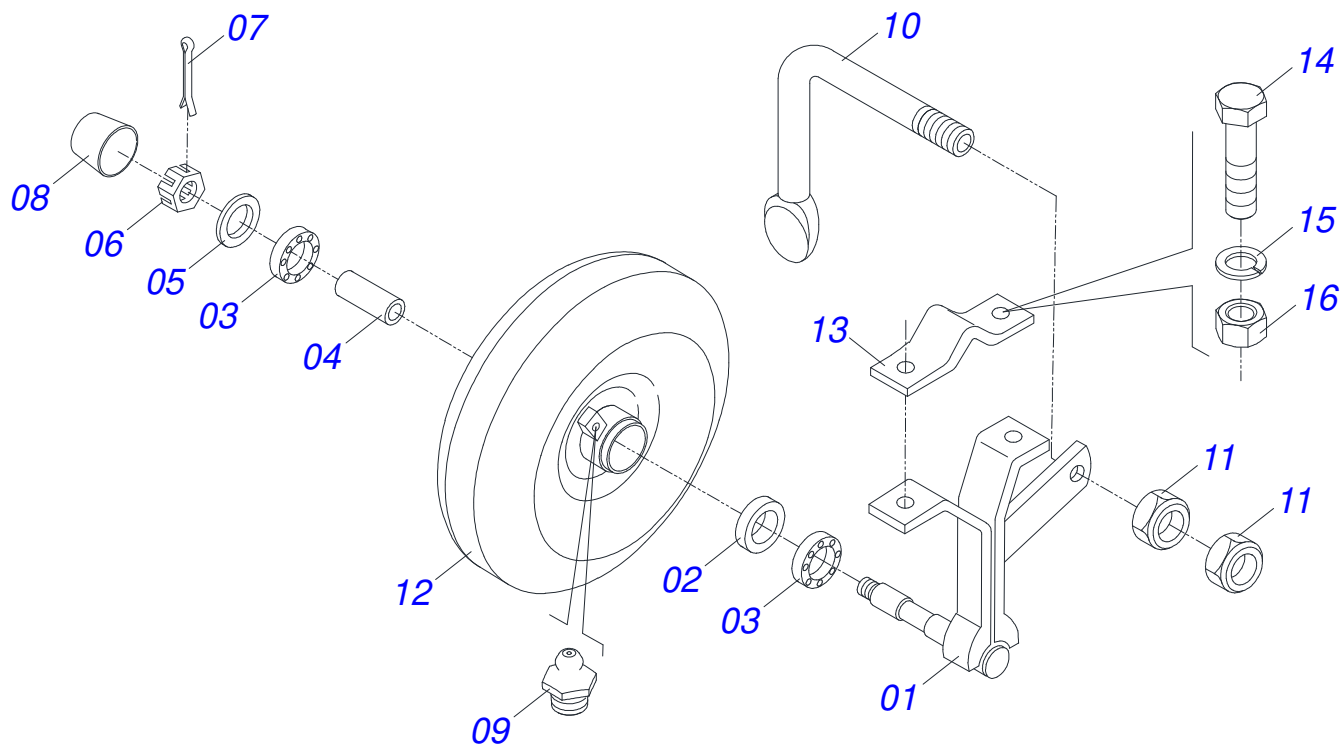
ASSY FRAME

0909091004

Item	Code	Description	See page	02	03	04	05	06
30	0521010443	1" SLEEVE		02	02	02	02	02
31	0501017590	1" X 4.13" HITCH PIN		01	01	01	01	01
32	0501018255	1-1/8" X 0.79" BUSHING		01	01	01	01	01
33	0503010479	BOLT		01	01	01	01	01
34	0503030479	1.65"X0,2"X1.18" COMPRESSION SPRING		01	01	01	01	01
35	0501016231	SPRING GUIDE		02	02	02	02	02
36	0503010060	1/2 UNC G.5 ZN HEX NUT		02	02	02	02	02
37	0501044547	8 POINT SUBSOILER	7	01	01	01	01	01
38	0501016153	DEPTH WHEEL SCRAPER		02	02	02	02	02
39	0501012140	FLAT WASHER 16,50 X 40 X 4,00 ZN		02	02	02	02	02
40	0501067680	DRAWBAR SUPPLEMENT		01	01	01	01	01
41	0521010689	FIXER HITCH		02	02	02	02	02
42		SEMI DIRECT DC ROD ASSEMBLY (OPTIONAL)	9					
43		SEED/FERTILIZER ROW ASSY	10					

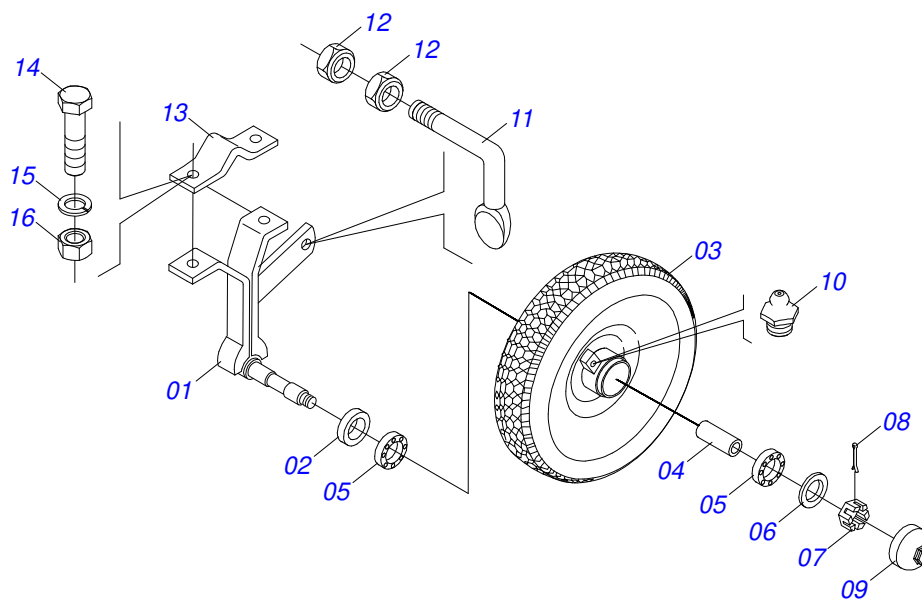


Item	Code	Description	See page	QT
01	0501068833	RH SUPPORT WHEELS		01
02	0503010268	00262-B SEAL		01
03	0503010269	6204 BALL BEARING		02
04	0521010492	SPACING SLEEVE		01
05	0511017305	FLAT WASHER		01
06	0503030282	3/4" CASTLE NUT		01
07	0503010018	5/32" X 1-1/2" SPLIT PIN		01
08	0521010380	PROTECTIVE COVER		01
09	0503010002	1800 GREASE FITTING		01
10	0501016153	DEPTH WHEEL SCRAPER		01
11	0503010013	5/8 UNC G.5 ZN HEX NUT		02
12	0501063340	WHEELS		01
13	0502010175	HITCH CLAMP		01
14	0501011541	5/8 UNC X 3 CS G.5 ZN1K28066 BOLT		02
15	0503010027	5/8 SPRING WASHER		02
16	0503010013	5/8 UNC G.5 ZN HEX NUT		02



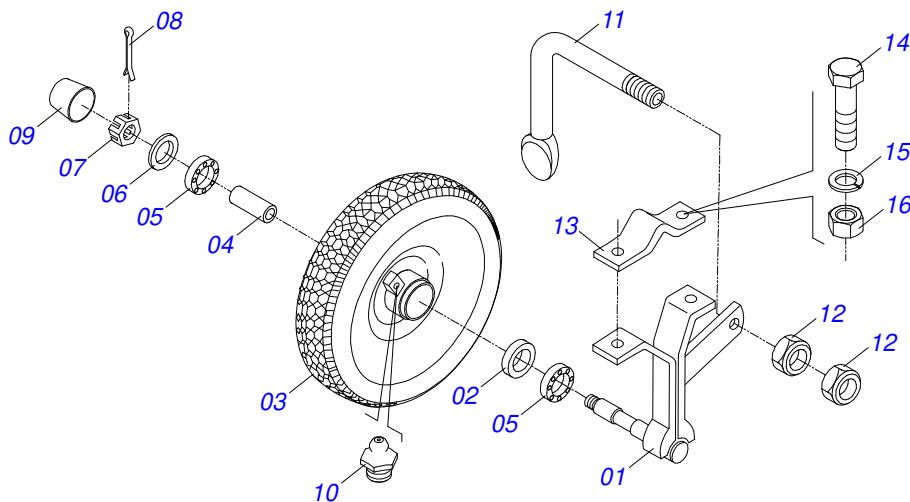
Item	Code	Description	See page	QT
01	0501068834	LH SUPPORT WHEELS		01
02	0503010268	00262-B SEAL		01
03	0503010269	6204 BALL BEARING		02
04	0521010492	SPACING SLEEVE		01
05	0511017305	FLAT WASHER		01
06	0503030282	3/4" CASTLE NUT		01
07	0503010018	5/32" X 1-1/2" SPLIT PIN		01
08	0521010380	PROTECTIVE COVER		01
09	0503010002	1800 GREASE FITTING		01
10	0501016153	DEPTH WHEEL SCRAPER		01
11	0503010013	5/8 UNC G.5 ZN HEX NUT		02
12	0501063340	WHEELS		01
13	0502010175	HITCH CLAMP		01
14	0501011541	5/8 UNC X 3 CS G.5 ZN1K28066 BOLT		02
15	0503010027	5/8 SPRING WASHER		02
16	0503010013	5/8 UNC G.5 ZN HEX NUT		02



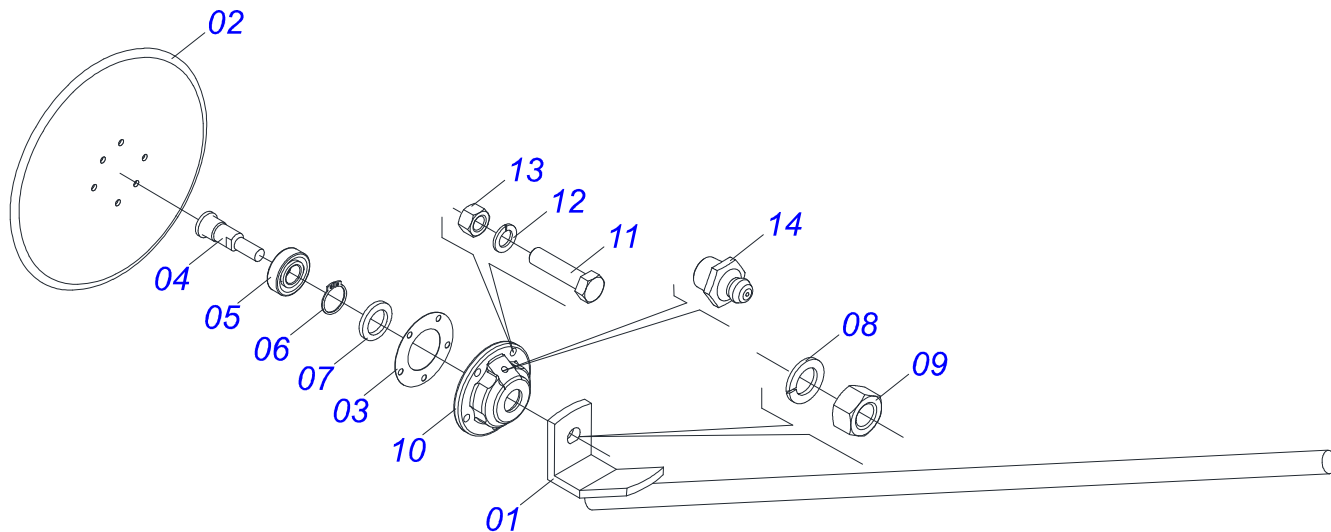


Item	Code	Description	See page	QT
01	0501068833	RH SUPPORT WHEELS		01
02	0503010268	00262-B SEAL		01
03	0503060014	13.78" X 8 WHEEL ASSY		01
04	0521010492	SPACING SLEEVE		01
05	0503010269	6204 BALL BEARING		02
06	0511017305	FLAT WASHER		01
07	0503030282	3/4" CASTLE NUT		01
08	0503010018	5/32" X 1-1/2" SPLIT PIN		01
09	0502020594	PROTECCION COVER		01
10	0503010002	1800 GREASE FITTING		01
11	0501016153	DEPTH WHEEL SCRAPER		01
12	0503010013	5/8 UNC G.5 ZN HEX NUT		02
13	0502010175	HITCH CLAMP		01
14	0501011541	5/8 UNC X 3 CS G.5 ZN1K28066 BOLT		02
15	0503010027	5/8 SPRING WASHER		02
16	0503010013	5/8 UNC G.5 ZN HEX NUT		02

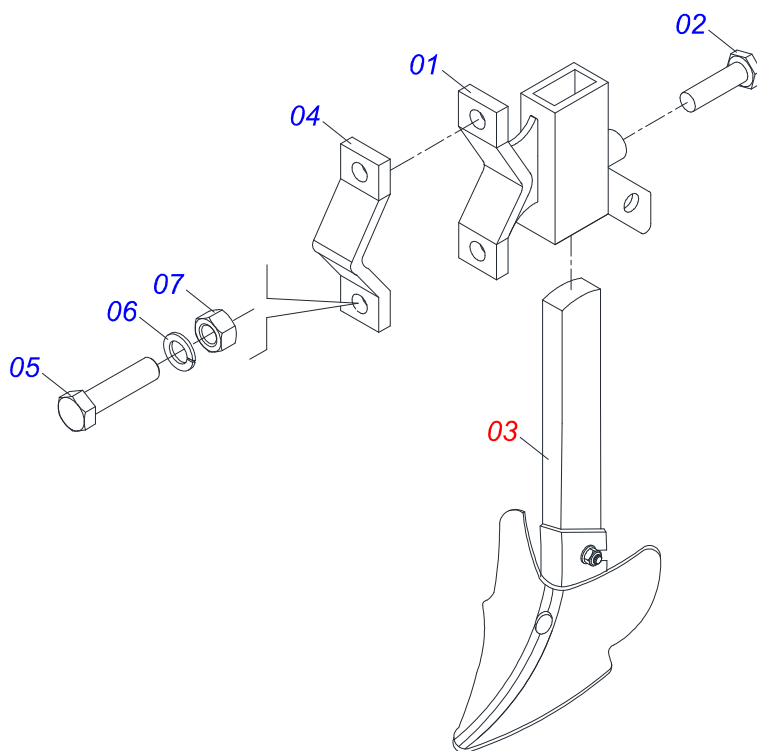
LEFT IRON WHEEL



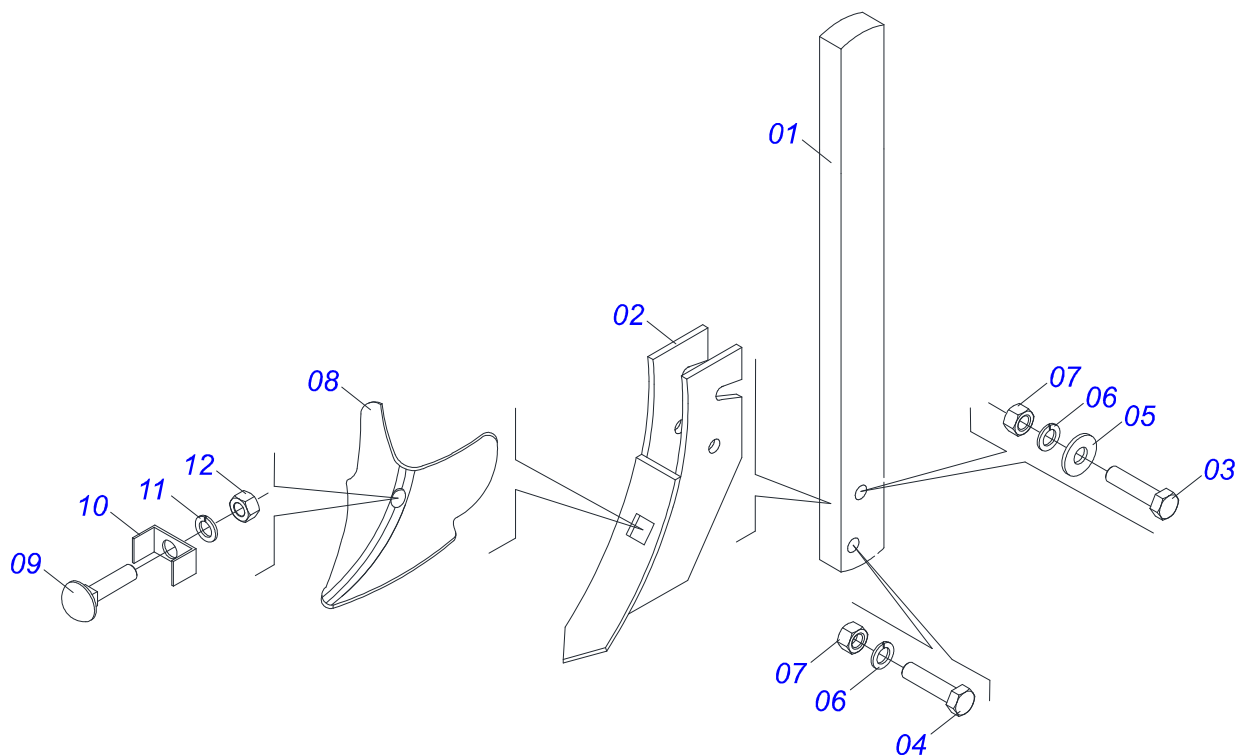
Item	Code	Description	See page	QT
01	0501068834	LH SUPPORT WHEELS		01
02	0503010268	00262-B SEAL		01
03	0503060014	13.78" X 8 WHEEL ASSY		01
04	0521010492	SPACING SLEEVE		01
05	0503010269	6204 BALL BEARING		02
06	0511017305	FLAT WASHER		01
07	0503030282	3/4" CASTLE NUT		01
08	0503010018	5/32" X 1-1/2" SPLIT PIN		01
09	0502020594	PROTECCION COVER		01
10	0503010002	1800 GREASE FITTING		01
11	0501016153	DEPTH WHEEL SCRAPER		01
12	0503010013	5/8 UNC G.5 ZN HEX NUT		02
13	0502010175	HITCH CLAMP		01
14	0501011541	5/8 UNC X 3 CS G.5 ZN1K28066 BOLT		02
15	0503010027	5/8 SPRING WASHER		02
16	0503010013	5/8 UNC G.5 ZN HEX NUT		02



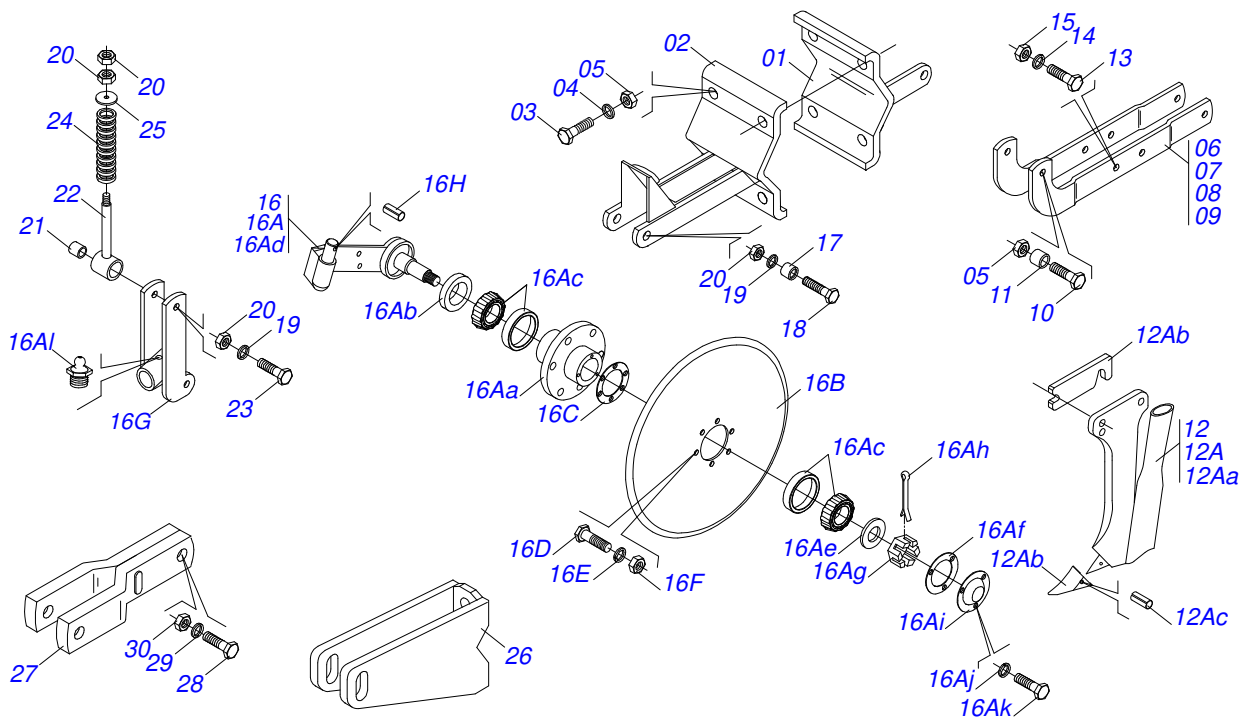
Item	Code	Description	See page	QT
01	0501065319	ROW MARKER DISC SUPPORT		01
02	0601013504	12" X 3" PLAIN DISC BLADE		01
03	0503030143	3.3" X 1.9" X 0.1" JOINT		01
04	0501012934	COVER DISC AXLE		01
05	0503010269	6204 BALL BEARING		01
06	0503010302	501019 SEAL RING		01
07	0503010272	SEAL 00715-BA		01
08	0503011440	SPRING WASHER		01
09	0503010060	1/2 UNC G.5 ZN HEX NUT		01
10	0502020600	MARKER ARM DISC HUB		01
11	0503010282	1/4" X 3/4" BOLT		05
12	0503011441	SPRING WASHER		05
13	0503010144	1/4" NUT		05
14	0503010002	1800 GREASE FITTING		01



Item	Code	Description	See page	QT
01	0502010798	SOCKET SUBSOILER SUPPORT		01
02	0501010098	BOLT 3/4" UNC X 2 C S G.5 ZN		01
03	0501047839	COMPLETE FURROWER ARM	8	01
04	0502010175	HITCH CLAMP		01
05	0503010797	3/4" X 4" BOLT		02
06	0503010023	3/4" SPRING WASHER		02
07	0503010014	3/4" ZN G.5 (HEAVY) UNC HEX NUT		02



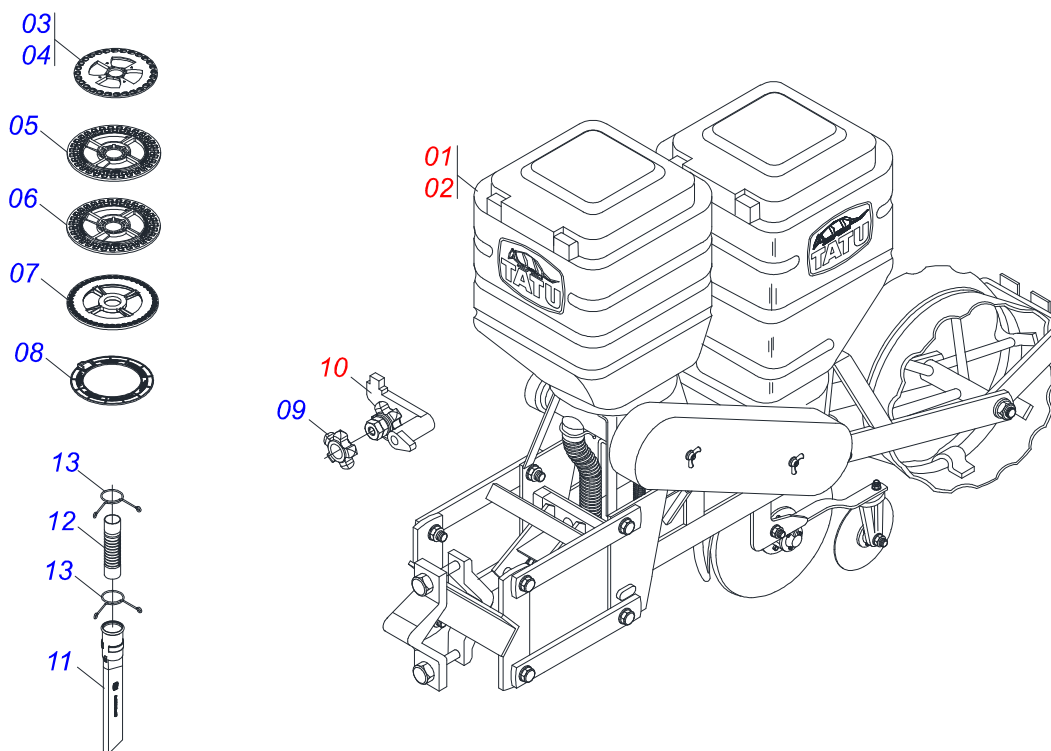
Item	Code	Description	See page	QT
01	0521010425	FURROWER ARM		01
02	0501065309	POINT SUBSOILER		01
03	0501011028	1/2" X 2-1/4" BOLT		01
04	0503010740	BOLT 1/2 UNC X 2 CS G.5 ZN		01
05	0501010937	13,50 X 28 X 3,00 FLAT WASHER		02
06	0503011440	SPRING WASHER		02
07	0503010060	1/2 UNC G.5 ZN HEX NUT		02
08	0626091001	8" POINT SUBSOILER		01
09	0501011190	5/8" X 3-3/4" BOLT		01
10	0521010690	ARM FIXING PLATE		01
11	0503010027	5/8 SPRING WASHER		01
12	0503010013	5/8 UNC G.5 ZN HEX NUT		01



Item	Code	Description	See page	QT
00	0501046962	SEMI-DIRECTO ASSY DISC BL. SPINDLE		02
00.	0501046963	SEMI-DIRECTO ASSY DISC BL. SPINDLE		03
00..	0501046964	SEMI-DIRECTO ASSY DISC BL. SPINDLE		04
00...	0501046965	SEMI-DIRECTO ASSY DISC BL. SPINDLE		05
00....	0501046966	SEMI-DIRECTO ASSY DISC BL. SPINDLE		06
00.....	0501046882	SEMI-DIRECTO ROW ASSY SET		01
01	0501067681	SUPPORT FIXER SPINDLE		01
02	0501067683	ARM FIXER DISC BLADE		01
03	0503010762	SCREW 5/8 UNC X 3.1/2 CS G.5 ZN		04
04	0503010027	5/8 SPRING WASHER		04
05	0503010013	5/8 UNC G.5 ZN HEX NUT		08
06	0511017049	RH SCARIFIER SPINDLE SUPPORT		01
07	0511016989	RH SCARIFIER SPINDLE SUPPORT		01
08	0511017050	LR SCARIFIER SPINDLE SUPPORT		01
09	0511016990	LR SCARIFIER SPINDLE SUPPORT		01
10	0511017958	5/8" X 1.9" RIGHT BOLT		02
11	0521010482	ARTICULAT SLEEVE		02
12	0501050843	SCARIFIER SPINDLE ASSY		01
12.	0501110263	FURROWER ARM		01
12A	0501110027	SCARIFIER SPINDLE WITH POINT		01
12Aa	0501067536	SCARIFIER SPINDLE WITH SOCKET		01
12Ab	0502070061	POINT SUBSOILER		01
12Ac	0503011373	0.4" X 1.1" SPRING PIN		01
12B	0511018662	SPACING PLATE		04
13	0503010547	1/2" X 4" BOLT		02
14	0503010019	1/2" SPRING WASHER		02
15	0503010060	1/2 UNC G.5 ZN HEX NUT		02
16	0501051184	DISC BLADE ARM ASSY		01
16A	0501050132	DISC BLADE ARM ASSY WITH HUB		01
16Aa	0502011278	BALDE DISC HUB		01
16Ab	0503010213	SEAL 30205		01
16Ac	0503010215	30205 BEARING		02

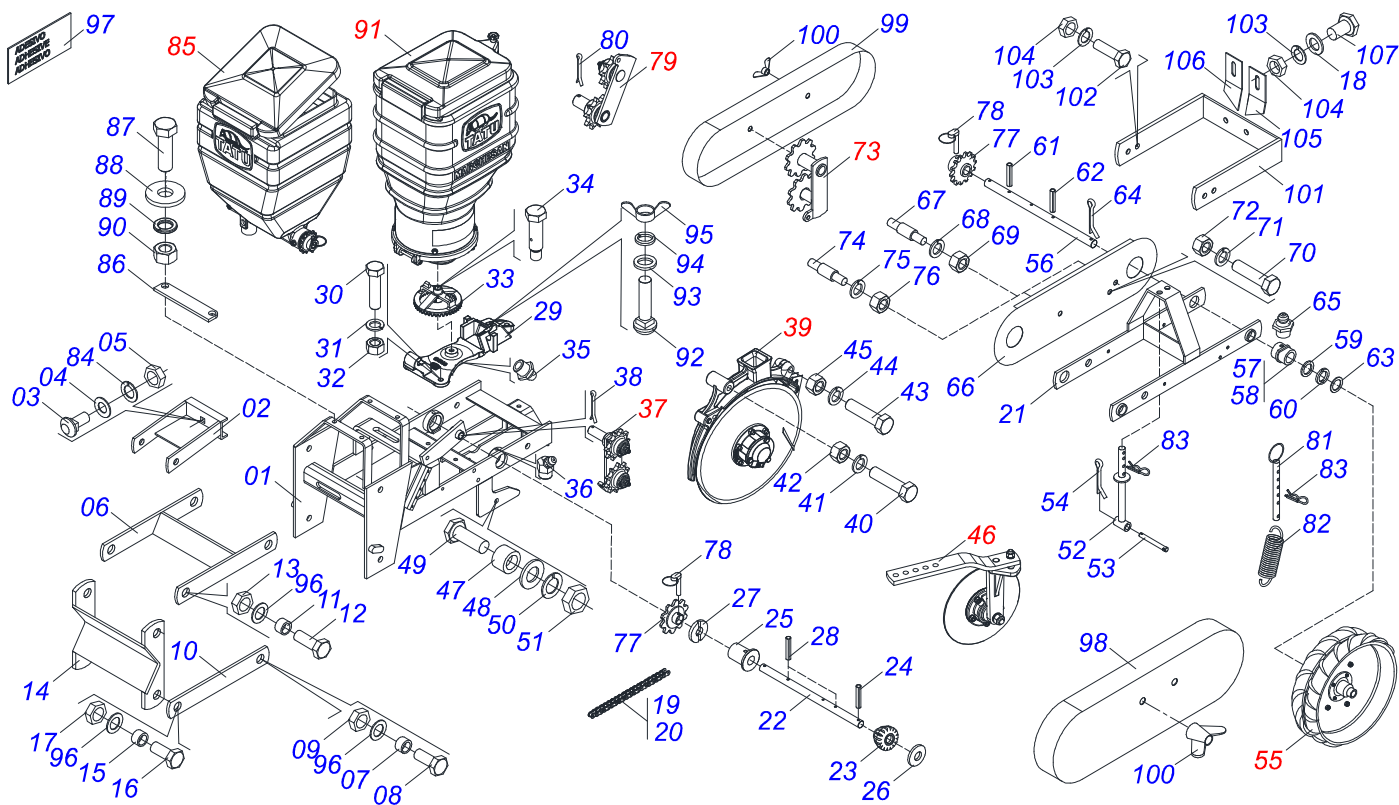


Item	Code	Description	See page	QT
16Ad	0501065137	DISC BLADE ARM		01
16Ae	0501010941	FLAT WASHER		01
16Af	0503030272	3,1" X 2,1" X 0,01" JOINT		01
16Ag	0503030282	3/4" CASTLE NUT		01
16Ah	0503010362	1/8" X 1.1/4" SPLIT PIN		01
16Ai	0501011061	DISC HUB COVER		01
16Aj	0503010143	1/4" SPRING WASHER		03
16AK	0503010298	1/4" X 1/2" BOLT		03
16AI	0503010002	1800 GREASE FITTING		01
16B	0603021056	14" X 0.1" PLAIN COULTER BLADE		01
16C	0501013839	WASHER		01
16D	0503010365	BOLT 5/16 UNC X 1.1/4 C S G.5 ZN		06
16E	0503010179	LOCK WASHER 5/16 ZN 1K01528		06
16F	0503010337	NUT 5/16 UNC G.5 ZN		06
16G	0501067682	DISC BLADE REGULATOR		01
16H	0503010301	0.3" X 1.8" SPRING PIN		01
17	0511017079	0.77 X 0.98 X 2.91 BUSHING		01
18	0503011084	3/4" X 5" BOLT		01
19	0503010023	3/4" SPRING WASHER		02
20	0503010014	3/4" ZN G.5 (HEAVY) UNC HEX NUT		04
21	0511017080	0.77" X 0.98" X 2.13" BUSHING		01
22	0501062194	REGULATOR SPRING		01
23	0503010797	3/4" X 4" BOLT		10
24	0503030110	2.3"X 5.5"X 0.4" COMPRESSION SPRING		01
25	0511011423	SPRING GUIDE BUSHING		01
26	0501067684	HITCH		02
27	0501067680	DRAWBAR SUPPLEMENT		01
28	0501011547	1" X 4-1/2" BOLT		01
29	0503010012	1" SPRING WASHER		01
30	0501010059	1.5/8 NUT		01



Item	Code	Description	See page	QT
01	0501052934	ROW INDIVIDUAL WITHOUT DD RUBBER FERTILIZER	11	01
02	0501052933	ROW INDIVIDUAL WITHOUT DD IRON FERTILIZER	12	01
03	0502020584	BEAN SEED DISC 64 HOLE OBLONG		01
04	0502020407	BEAN SEED DISC		01
05	0502020329	SOYBEAN DISC		01
06	0503032126	CORN DISC		01
07	0503031677	DISC WITHOUT HOLE		01
08	0501013355	DISC SEAT		01
09	0503030558	PULLEY 4Z CORN PLASTIC		01
10	0501051119	DOUBLE PULLEY ROCKER'S	24	01
11	0503030481	SEED SOCKET		01
12	0503030645	2 X 2 X 225 HOSE		01
13	0503031076	2" HOSE CLAMP		01





Item	Code	Description	See page	QT
001	0531064779	SEMI FRAME		01
002	0501061429	LEVER SUPPORT		01
003	0501011234	5/8" X 3" BOLT		01
004	0501010453	FLAT WASHER		01
005	0503010013	5/8 UNC G.5 ZN HEX NUT		02
006	0501061420	SUPPORT ARM PIVOT		01
007	0521010482	ARTICULAT SLEEVE		02
008	0503010769	5/8" X 2-1/4" BOLT		02
009	0503010013	5/8 UNC G.5 ZN HEX NUT		02
010	0501011032	PIVOT ARM		02
011	0521010482	ARTICULAT SLEEVE		02
012	0511017958	5/8" X 1.9" RIGHT BOLT		02
013	0503012412	5/8" UNC SELF LOCKING NUT		02
014	0501065761	DRAWBAR		01
015	0521010482	ARTICULAT SLEEVE		04
016	0511017958	5/8" X 1.9" RIGHT BOLT		04
017	0503012412	5/8" UNC SELF LOCKING NUT		04
018	0501810984	FLAT WASHER		02
019	0503010304	50-1 X 85 CHAIN LINK + MENDING		06
020	0503010912	50-1 X 97 CHAIN LINK + MENDING		06
021	0501063339	PRESS WHEEL SUPPORT		01
022	0501016220	SEED SISTEM AXLE		01
023	0502010528	16Z CONICAL GEAR		01
024	0503010292	701164 6 X 40 SPRING PIN		01
025	0502020627	AXLE SLEVE GUIDES		02
026	0501011168	WASHER SPACER		02
027	0502010403	LOCK WASHER		02
028	0503010756	0.2" X 2.4" SPRING PIN		02
029	0502011211	SEED BOX FIXING BASE		01
030	0503011087	3/8" X 1" BOLT		03
031	0503011443	SPRING WASHER 3/8"		03
032	0503010026	3/8" NUT		03

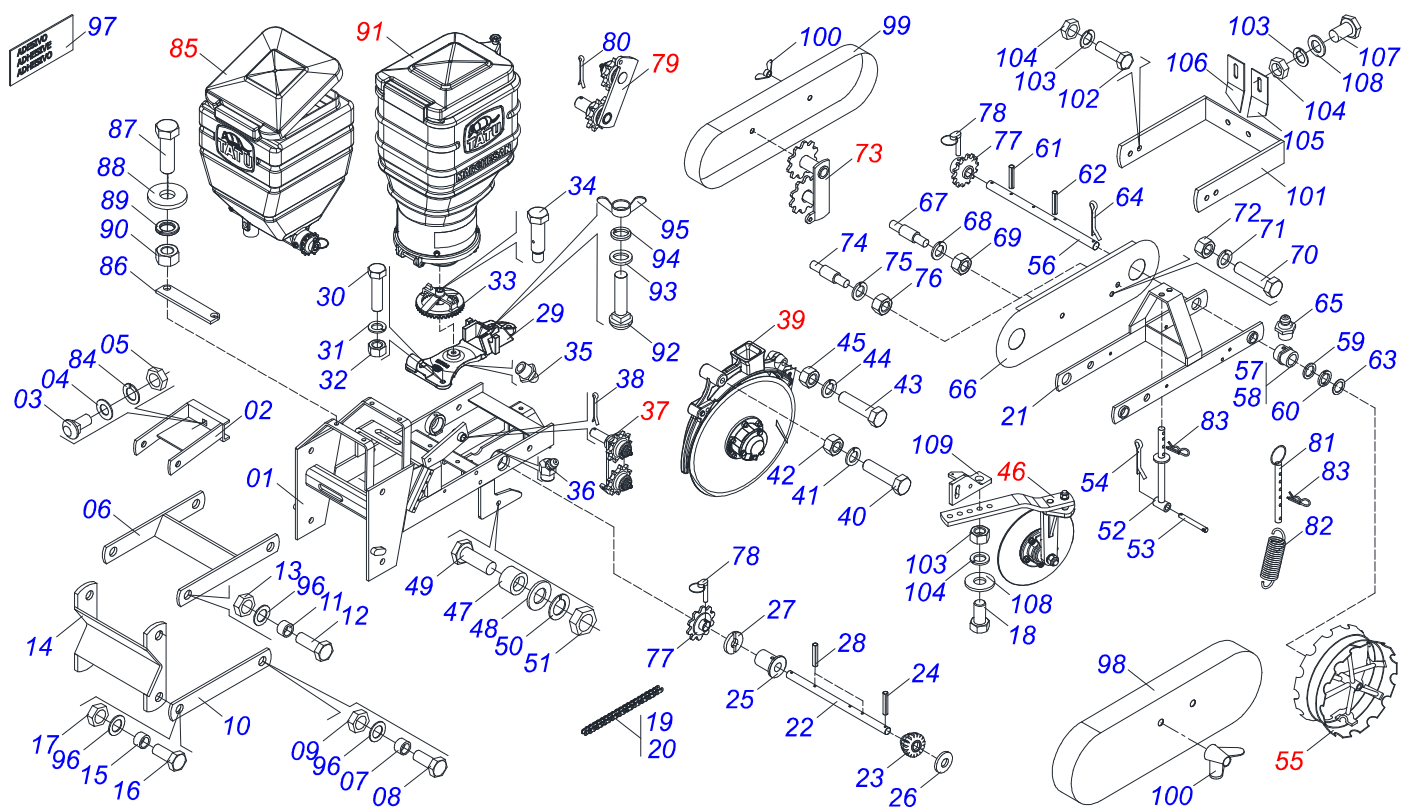
Item	Code	Description	See page	QT
033	0502011419	40Z CONICAL GEAR		01
034	0511018700	AXLE		01
035	0503010691	1/4" GREASE FITTING		01
036	0503010003	1845 GREASE FITTING		02
037	0501043171	FERTILIZER TENSIONER CHAIN ASSY	13	01
038	0503010018	5/32" X 1-1/2" SPLIT PIN		01
039	0501052390	13" X 13" DOUBLE DISC ASSY	14	01
040	0501010163	5/8" X 4-1/2" BOLT		01
041	0503011445	SPRING WASHER		01
042	0503010013	5/8 UNC G.5 ZN HEX NUT		01
043	0503010850	BOLT 7/16 UNC X 3 CS G.5 ZN		01
044	0503011446	SPRING WASHER		01
045	0503010244	7/16" NUT		01
046	0501040742	LEFT COVER DISC COMPLETE	15	01
047	0521010500	SPACER BUSHING SMALLER		01
048	0501013519	FLAT WASHER		01
049	0501010063	1/2" X 1-1/2" BOLT		01
050	0503011440	SPRING WASHER		01
051	0503010060	1/2 UNC G.5 ZN HEX NUT		01
052	0501063360	ADJUSTMENT BAR		01
053	0521010553	0.5" X 3" COUPLING SHAFT		01
054	0503010018	5/32" X 1-1/2" SPLIT PIN		01
055	0501040208	RUBBER COMPACTOR WHEEL	17	01
056	0501010871	COMPACTOR WHEEL AXLE		01
057	0502020625	AXLE SLEVE GUIDES		01
058	0502020626	AXLE SLEVE GUIDES		01
059	0501011170	WASHER SPACER 40 X 22,5 X 1		02
060	0502010478	LOCKWASHER		02
061	0503010292	701164 6 X 40 SPRING PIN		02
062	0503010301	0.3" X 1.8" SPRING PIN		01
063	0501011467	FLAT WASHER		02
064	0503010571	1/4" X 1.1/2" SPLIT PIN		01
065	0503010691	1/4" GREASE FITTING		02
066	0501016290	CHAIN PROTECTION CAP		01
067	0501012018	3/8" X 3/8" X 4.33" STUD		01
068	0503011443	SPRING WASHER 3/8"		01
069	0503010026	3/8" NUT		01
070	0503010237	3/8" X 1" BOLT		01
071	0503011443	SPRING WASHER 3/8"		01
072	0503010026	3/8" NUT		01
073	0501043172	SEED CHAIN TENSIONER ASSY	18	01
074	0501012018	3/8" X 3/8" X 4.33" STUD		01
075	0503011443	SPRING WASHER 3/8"		01
076	0503010026	3/8" NUT		01
077	0502011346	18Z GEAR		02
077.	0502011335	14Z GEAR		06
077..	0502011342	16Z GEAR		12
077...	0502011353	22Z GEAR		12
077....	0502011359	30Z GEAR		06
078	0503030119	LOCK PIN		02
079	0501043171	FERTILIZER TENSIONER CHAIN ASSY	13	01
080	0503010018	5/32" X 1-1/2" SPLIT PIN		01
081	0501061424	SPRING TURNBUCKLE		01
082	0503030099	1.3" X 4.9" 0.2" TRACTION SPRING		01
083	0501050031	SUPPORT LOCK		02
084	0503011445	SPRING WASHER		01
085	0501051765	FERTILIZER HOPPER ASSY	19	01
086	0511017073	12,01 X 2" X 0,25" PLATE		02
087	0503010751	C3/8" X 1.1/4" HEX BOLT G.5		04
088	0501010984	10,50 X 27 X 3,00 FLAT WASHER		04
089	0503010025	3/8" SPRING WASHER		04



ROW INDIVIDUAL WITHOUT DD RUBBER FERTILIZER

0501052934

Item	Code	Description	See page	QT
090	0503010026	3/8" NUT		04
091	0501050621	SEED SYSTEM ASSY	21	01
092	0501011752	5/16" X 3" BOLT		01
093	0501010984	10,50 X 27 X 3,00 FLAT WASHER		01
094	0503010179	LOCK WASHER 5/16 ZN 1K01528		01
095	0503010499	5/16 UNC BUTTERFLY NUT		01
096	0501012140	FLAT WASHER 16,50 X 40 X 4,00 ZN		02
097	0503032824	DECAL		01
098	0501018582	CHAIN PROTECTION COVER		01
099	0501018583	CHAIN PROTECTION CAP		01
100	0503010209	3/8" UNC BUTTERFLY NUT		04
101	0501063310	SCRAPER FIXER SUPPORT		01
102	0503810237	3/8 UNC X 1 C S G.5 SA BOLT		02
103	0503011443	SPRING WASHER 3/8"		04
104	0503810026	3/8" NUT		04
105	0501011034	RH PRESS WHEELS SCRAPER		01
106	0501011033	LEFT PRESS WHEELS SCRAPER		01
107	0503811087	3/8" X 1" BOLT		02



Item	Code	Description	See page	QT
001	0531064779	SEMI FRAME		01
002	0501061429	LEVER SUPPORT		01
003	0501011234	5/8" X 3" BOLT		01
004	0501010453	FLAT WASHER		01
005	0503010013	5/8 UNC G.5 ZN HEX NUT		02
006	0501061420	SUPPORT ARM PIVOT		01
007	0521010482	ARTICULAT SLEEVE		02
008	0503010769	5/8" X 2-1/4" BOLT		02
009	0503010013	5/8 UNC G.5 ZN HEX NUT		02
010	0501011032	PIVOT ARM		02
011	0521010482	ARTICULAT SLEEVE		02
012	0511017958	5/8" X 1.9" RIGHT BOLT		02
013	0503012412	5/8" UNC SELF LOCKING NUT		02
014	0501065761	DRAWBAR		01
015	0521010482	ARTICULAT SLEEVE		04
016	0511017958	5/8" X 1.9" RIGHT BOLT		04
017	0503012412	5/8" UNC SELF LOCKING NUT		04
018	0503010849	3/8" X 1-1/2" BOLT		02
019	0503010304	50-1 X 85 CHAIN LINK + MENDING		06
020	0503010912	50-1 X 97 CHAIN LINK + MENDING		06
021	0501063339	PRESS WHEEL SUPPORT		01
022	0501016220	SEED SISTEM AXLE		01
023	0502010528	16Z CONICAL GEAR		01
024	0503010292	701164 6 X 40 SPRING PIN		01
025	0502020627	AXLE SLEVE GUIDES		02
026	0501011168	WASHER SPACER		02
027	0502010403	LOCK WASHER		02
028	0503010756	0.2" X 2.4" SPRING PIN		02
029	0502011211	SEED BOX FIXING BASE		01
030	0503011087	3/8" X 1" BOLT		03
031	0503011443	SPRING WASHER 3/8"		03
032	0503010026	3/8" NUT		03



## ROW INDIVIDUAL WITHOUT DD IRON FERTILIZER

0501052933

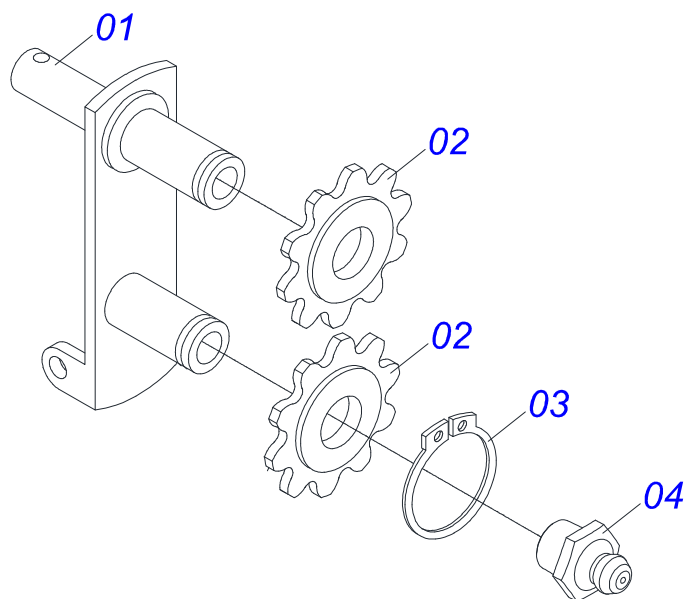
Item	Code	Description	See page	QT
033	0502011419	40Z CONICAL GEAR		01
034	0511018700	AXLE		01
035	0503010691	1/4" GREASE FITTING		01
036	0503010003	1845 GREASE FITTING		02
037	0501043171	FERTILIZER TENSIONER CHAIN ASSY	13	01
038	0503010018	5/32" X 1-1/2" SPLIT PIN		01
039	0501052390	13" X 13" DOUBLE DISC ASSY	14	01
040	0501010163	5/8" X 4-1/2" BOLT		01
041	0503011445	SPRING WASHER		01
042	0503010013	5/8 UNC G.5 ZN HEX NUT		01
043	0503010850	BOLT 7/16 UNC X 3 CS G.5 ZN		01
044	0503011446	SPRING WASHER		01
045	0503010244	7/16" NUT		01
046	0501042036	COMPLETE RIGHT COVER DISC	22	01
047	0521010500	SPACER BUSHING SMALLER		01
048	0501013519	FLAT WASHER		01
049	0501010063	1/2" X 1-1/2" BOLT		01
050	0503011440	SPRING WASHER		01
051	0503010060	1/2 UNC G.5 ZN HEX NUT		01
052	0501063360	ADJUSTMENT BAR		01
053	0521010553	0.5" X 3" COUPLING SHAFT		01
054	0503010018	5/32" X 1-1/2" SPLIT PIN		01
055	0501061425	IRON PRESS WHEEL		01
056	0501010871	COMPACTOR WHEEL AXLE		01
057	0502020625	AXLE SLEVE GUIDES		01
058	0502020626	AXLE SLEVE GUIDES		01
059	0501011170	WASHER SPACER 40 X 22,5 X 1		02
060	0502010478	LOCKWASHER		02
061	0503010292	701164 6 X 40 SPRING PIN		02
062	0503010301	0.3" X 1.8" SPRING PIN		01
063	0501011467	FLAT WASHER		02
064	0503010571	1/4" X 1.1/2" SPLIT PIN		01
065	0503010691	1/4" GREASE FITTING		02
066	0501016290	CHAIN PROTECTION CAP		01
067	0501012018	3/8" X 3/8" X 4.33" STUD		01
068	0503011443	SPRING WASHER 3/8"		01
069	0503010026	3/8" NUT		01
070	0503010237	3/8" X 1" BOLT		01
071	0503011443	SPRING WASHER 3/8"		01
072	0503010026	3/8" NUT		01
073	0501043172	SEED CHAIN TENSIONER ASSY	18	01
074	0501019102	3/8" X 3/8" X 4.72" STUD		01
075	0503011443	SPRING WASHER 3/8"		01
076	0503010026	3/8" NUT		01
077	0502011346	18Z GEAR		02
077.	0502011353	22Z GEAR		02
077..	0502011335	14Z GEAR		06
077...	0502011342	16Z GEAR		12
077....	0502011359	30Z GEAR		06
078	0503030119	LOCK PIN		02
079	0501043171	FERTILIZER TENSIONER CHAIN ASSY	13	01
080	0503010018	5/32" X 1-1/2" SPLIT PIN		01
081	0501061424	SPRING TURNBUCKLE		01
082	0503030099	1.3" X 4.9" 0.2" TRACTION SPRING		01
083	0501050031	SUPPORT LOCK		02
084	0503011445	SPRING WASHER		01
085	0501051765	FERTILIZER HOPPER ASSY	19	01
086	0511017073	12,01 X 2" X 0,25" PLATE		02
087	0503010751	C3/8" X 1.1/4" HEX BOLT G.5		04
088	0501010984	10,50 X 27 X 3,00 FLAT WASHER		04
089	0503010025	3/8" SPRING WASHER		04



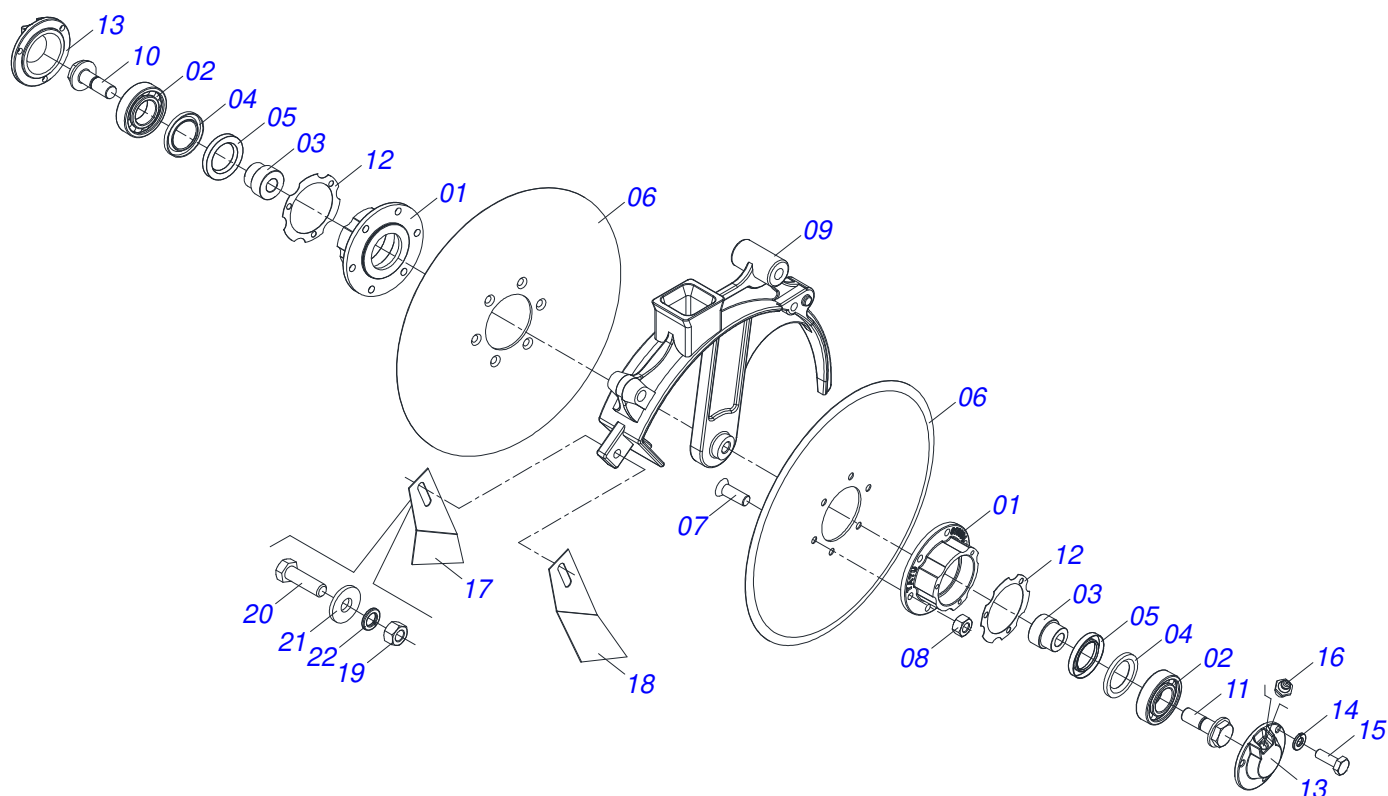
ROW INDIVIDUAL WITHOUT DD IRON FERTILIZER

0501052933

Item	Code	Description	See page	QT
090	0503010026	3/8" NUT		04
091	0501050621	SEED SYSTEM ASSY	21	01
092	0501011752	5/16" X 3" BOLT		01
093	0501010984	10,50 X 27 X 3,00 FLAT WASHER		01
094	0503010179	LOCK WASHER 5/16 ZN 1K01528		01
095	0503010499	5/16 UNC BUTTERFLY NUT		01
096	0501012140	FLAT WASHER 16,50 X 40 X 4,00 ZN		02
097	0503032824	DECAL		01
098	0501018582	CHAIN PROTECTION COVER		01
099	0501018583	CHAIN PROTECTION CAP		01
100	0503010209	3/8" UNC BUTTERFLY NUT		04
101	0501063310	SCRAPER FIXER SUPPORT		01
102	0503810237	3/8 UNC X 1 C S G.5 SA BOLT		02
103	0503011443	SPRING WASHER 3/8"		04
104	0503810026	3/8" NUT		04
105	0501011034	RH PRESS WHEELS SCRAPER		01
106	0501011033	LEFT PRESS WHEELS SCRAPER		01
107	0503811087	3/8" X 1" BOLT		02
108	0501810984	FLAT WASHER		04
109	0502010137	LH REGULATOR SUPPORT		01

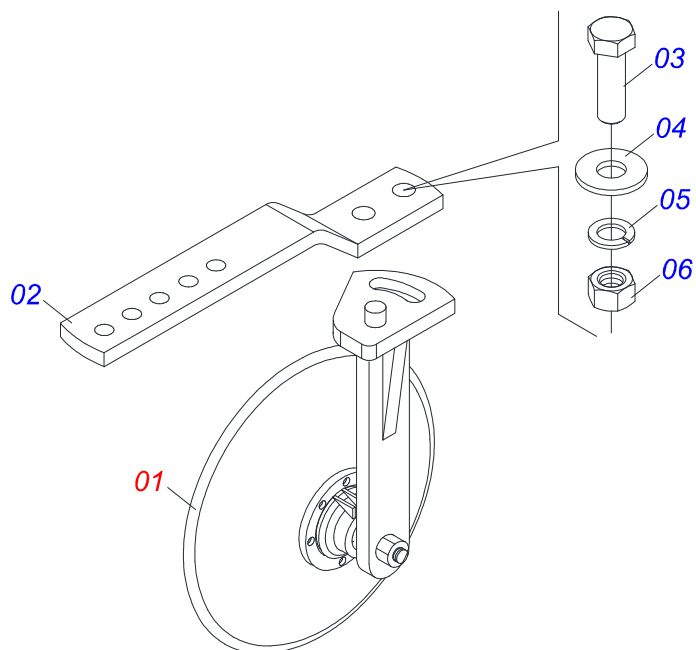


Item	Code	Description	See page	QT
01	0501062484	CHAIN TENSIONER		01
02	0502011319	GEAR 10Z P 15.87 FR 3/4		02
03	0503010302	501019 SEAL RING		02
04	0503010002	1800 GREASE FITTING		02



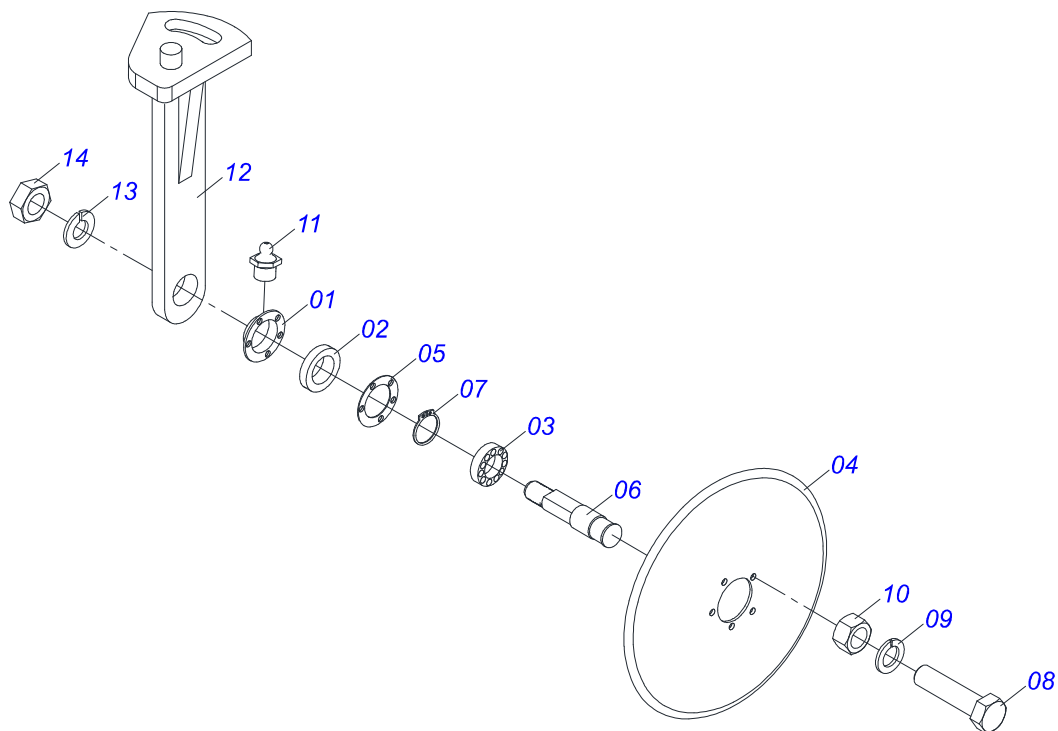
Item	Code	Description	See page	QT
01	0502011273	DOUBLE DISC HUB		02
02	0503010276	6206 BALL BEARING		02
03	0501011832	HUB DOUBLE DISC PASSANG AXLE		02
04	0503010526	3011 SEAL RING		02
05	0503010525	00797-BA SEAL		02
06	0603020019	D272 PLAIN COULTER BLADE		02
07	0503010546	5/16" X 7/8" BOLT		12
08	0503010337	NUT 5/16 UNC G.5 ZN		12
09	0502011176	SEED DOUBLE DISC SUPPORT		01
10	0511017959	5/8" X 1.9" LEFT BOLT		01
11	0511017958	5/8" X 1.9" RIGHT BOLT		01
12	0503030142	3.27" X 2.44" X 0.02" JOINT		02
13	0502020599	PROTECTION LID		02
14	0503011441	SPRING WASHER		06
15	0503014891	1/4" X 3/4" BOLT		06
16	0503010002	1800 GREASE FITTING		02
17	0501017541	RIGHT DOUBLE DISC SCRAPER		01
18	0501017542	LH DOUBLE DISC SCRAPER		01
19	0503010026	3/8" NUT		01
20	0503010751	C3/8" X 1.1/4" HEX BOLT G.5		01
21	0501010984	10,50 X 27 X 3,00 FLAT WASHER		01
22	0503011443	SPRING WASHER 3/8"		01



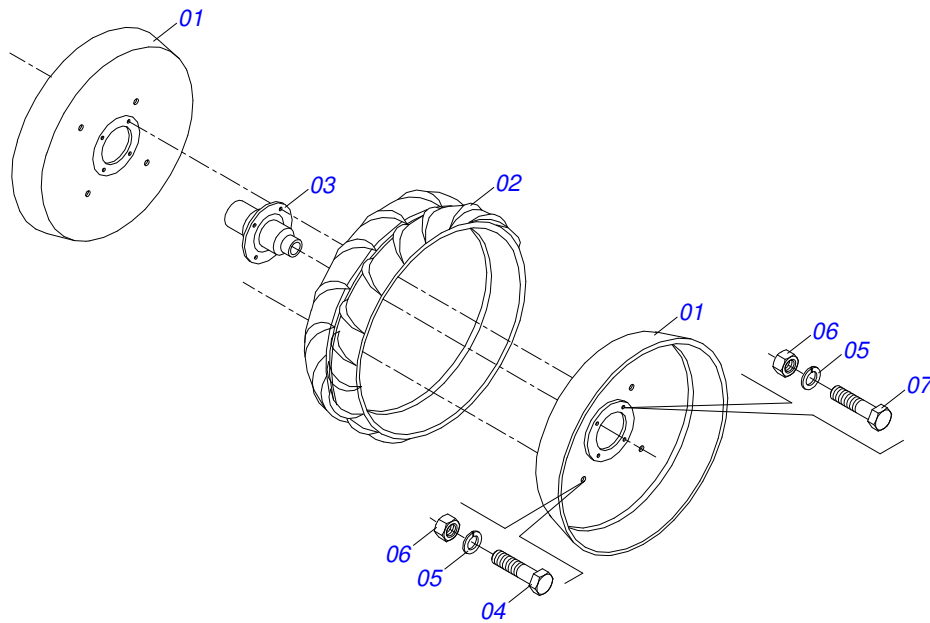


Item	Code	Description	See page	QT
01	0501050061	LEFT COVERING DISC	16	01
02	0501011018	REGULATOR PLATE		01
03	0503010849	3/8" X 1-1/2" BOLT		01
04	0501010984	10,50 X 27 X 3,00 FLAT WASHER		01
05	0503011443	SPRING WASHER 3/8"		01
06	0503010026	3/8" NUT		01

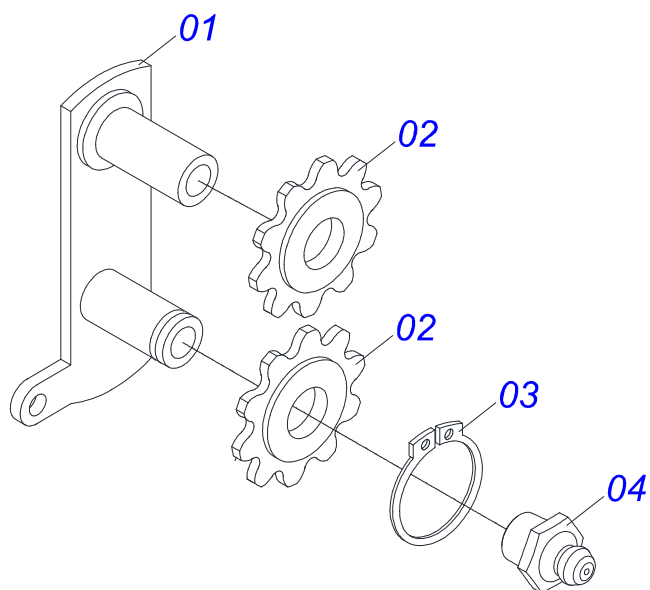
LEFT COVERING DISC



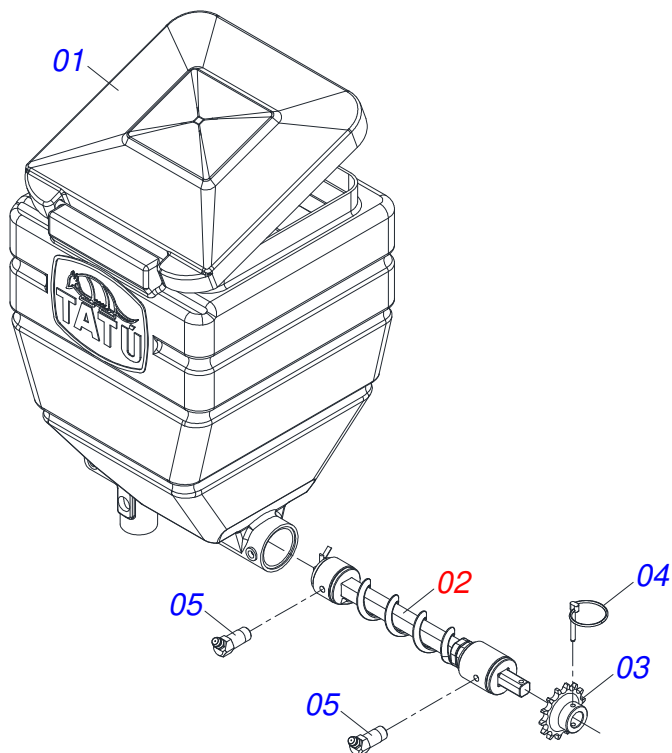
Item	Code	Description	See page	QT
01	0502020140	HUB		01
02	0503010272	SEAL 00715-BA		01
03	0503010269	6204 BALL BEARING		01
04	0601011502	7-9/32" X 0.12" PLAIN DISC BLADE		01
05	0503030143	3.3" X 1.9" X 0.1" JOINT		01
06	0501012934	COVER DISC AXLE		01
07	0503010302	501019 SEAL RING		01
08	0503010282	1/4" X 3/4" BOLT		05
09	0503010143	1/4" SPRING WASHER		05
10	0503010144	1/4" NUT		05
11	0503010691	1/4" GREASE FITTING		01
12	0502010138	LH REGULATOR ARM		01
13	0503010019	1/2" SPRING WASHER		01
14	0503010060	1/2 UNC G.5 ZN HEX NUT		01



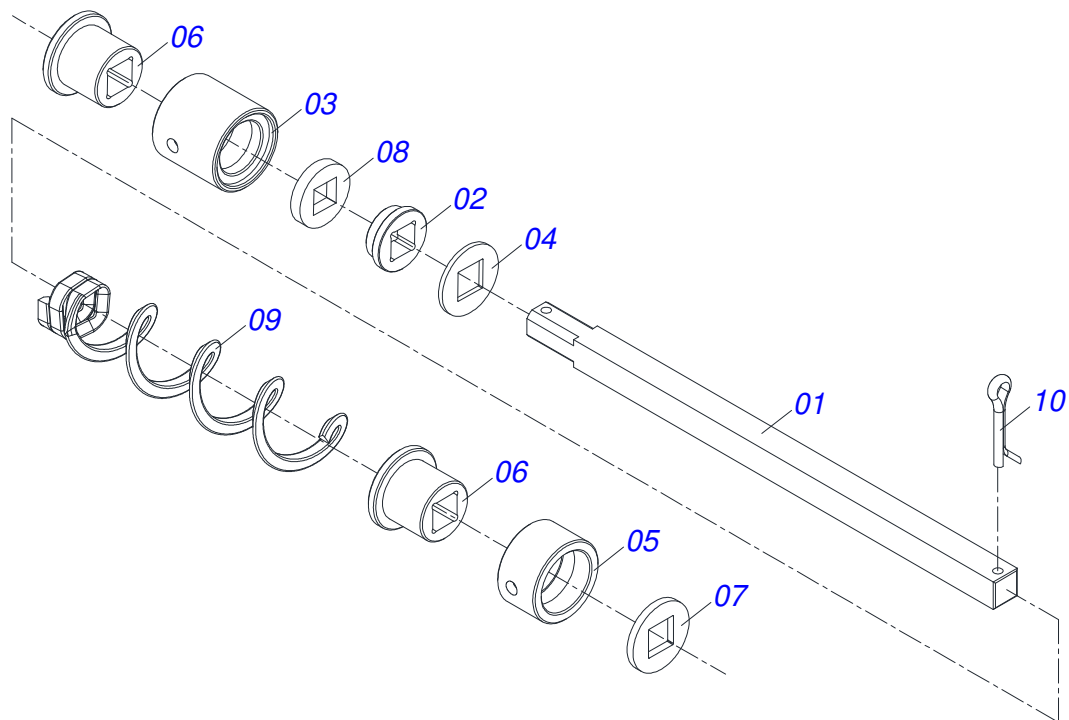
Item	Code	Description	See page	QT
01	0501016692	RIM SEMI BODY		02
02	0503010353	DEPTH CONTROL WHEEL RUBBER BAND		01
03	0502020427	HUB		01
04	0501010324	3/8" X 1-1/4" BOLT		04
05	0503010025	3/8" SPRING WASHER		08
06	0503010026	3/8" NUT		08
07	0501010940	3/8" X 3/4" BOLT		04



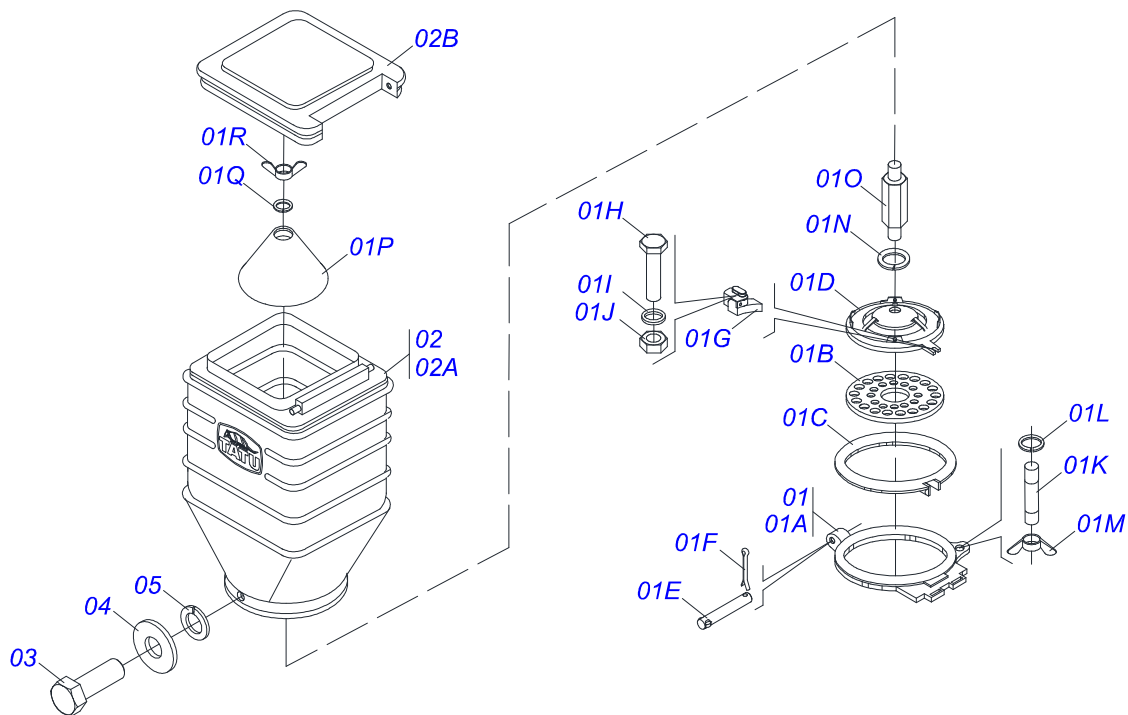
Item	Code	Description	See page	QT
01	0501063355	CHAIN TENSIONER		01
02	0502011319	GEAR 10Z P 15.87 FR 3/4		02
03	0503010302	501019 SEAL RING		01
04	0503010002	1800 GREASE FITTING		01



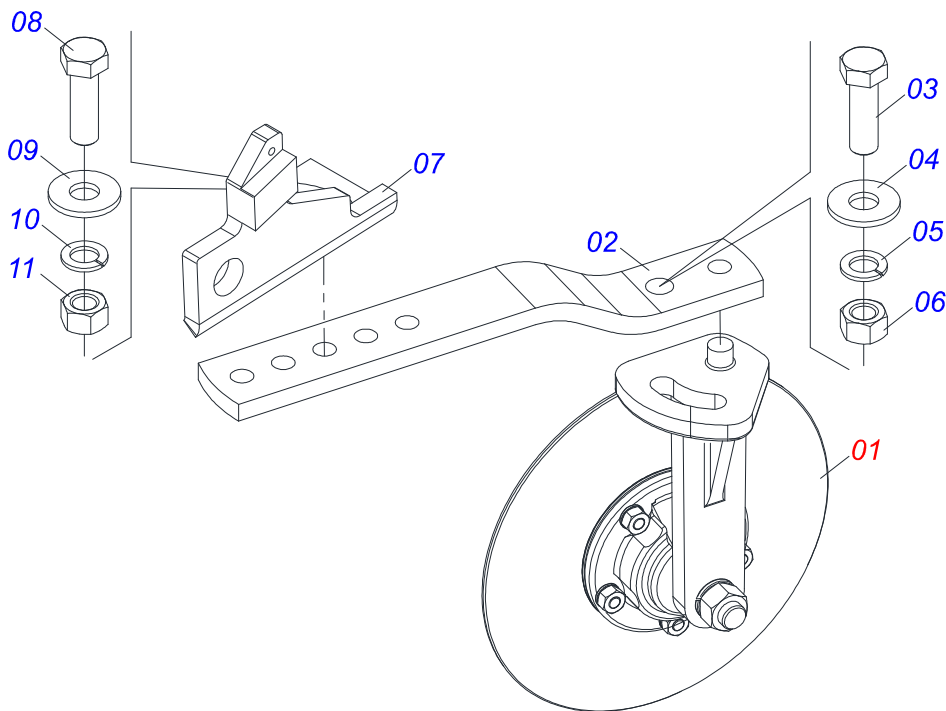
Item	Code	Description	See page	QT
01	0503031260	FERTILIZER HOPPER WITH TUBE PVC		01
02	0501053058	DISTRIBUTOR FERTILIZER AXLE ASSY	20	01
03	0502011335	14Z GEAR		01
04	0503030085	LOCK PIN		01
05	0503012102	CREASE FITTING		02



Item	Code	Description	See page	QT
01	0511010388	DISTRIBUTOR FERTILIZER AXLE		01
02	0503030303	SUPPORT WASHER		01
03	0521010946	DISTRIBUTOR SLEEVE		01
04	0501010637	FLAT WASHER		01
05	0521010947	DISTRIBUTOR SLEEVE		01
06	0503030275	AGRICULTURAL BEARING		02
07	0511017137	FLAT WASHER		01
08	0501013774	GREASE SEAL		01
09	0503031164	RIGHT HELICOID CONDUCTOR		01
10	0503010571	1/4" X 1.1/2" SPLIT PIN		01

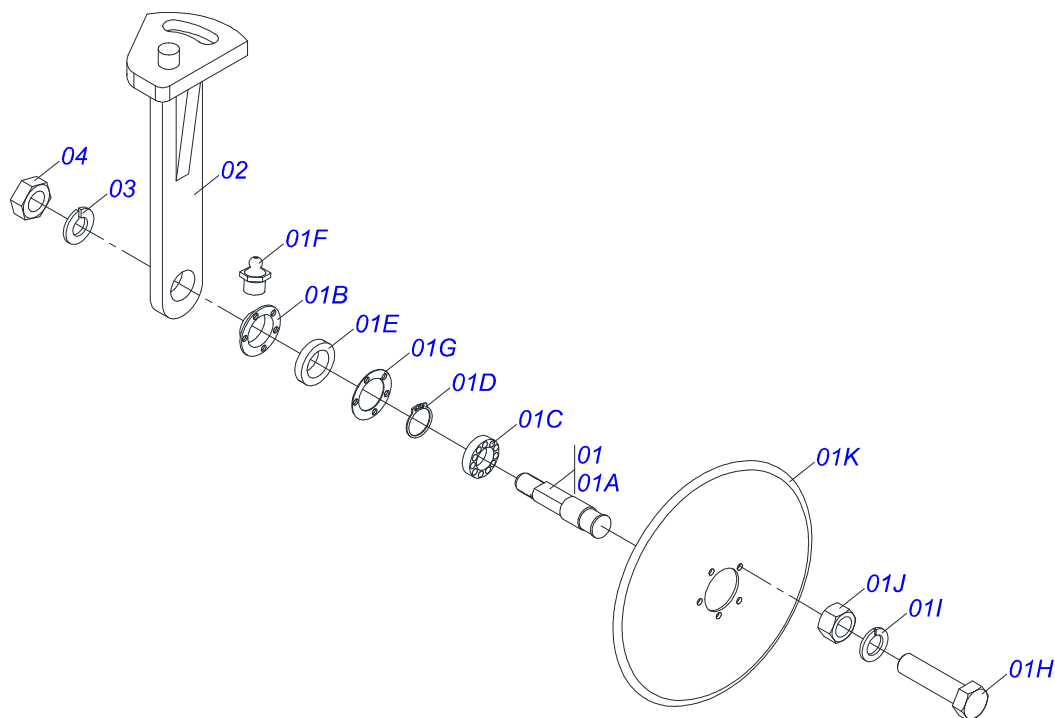


Item	Code	Description	See page	QT
01	0501050852	SEED SYSTEM WITHOUT DEPOSIT		01
01A	0502010408	SEED DISC LOWER TRAIL		01
01B	0503032127	CORN DISC 28 HOLE		01
01C	0501013356	DISC SEAT		01
01D	0502020324	SEED HOPPER SUPPORT		01
01E	0521010536	0.3" X 3.8" COUPLING SHAFT		01
01F	0503010140	1/8" X 3/4" SPLIT PIN		01
01G	0501050077	COMPLETE SEED DISTRIBUTOR WITH PULLEY		01
01H	0503010675	5/16" X 2.1/4" BOLT		01
01I	0503010179	LOCK WASHER 5/16 ZN 1K01528		01
01J	0503010337	NUT 5/16 UNC G.5 ZN		01
01K	0503030083	3/8" X 3/8" X 1.6" STUD		01
01L	0503010025	3/8" SPRING WASHER		01
01M	0503010209	3/8" UNC BUTTERFLY NUT		01
01N	0503010025	3/8" SPRING WASHER		01
01O	0571018536	HEX PRISONER		01
01P	0503034131	DEFLECTOR		01
01Q	0503010025	3/8" SPRING WASHER		01
01R	0503010209	3/8" UNC BUTTERFLY NUT		01
02	0503031667	BOX YELLOW SEED WITH GREEN COVER		01
02A	0503031815	YELLOW SEED BOX		01
02B	0503031816	GREEN SEED BOX COVER		01
03	0503010295	SCREW 5/16 UNC X 5/8 CS G.2 ZN		04
04	0501010694	FLAT WASHER 8,50 X 18 X 1,50 ZN		04
05	0503010179	LOCK WASHER 5/16 ZN 1K01528		04

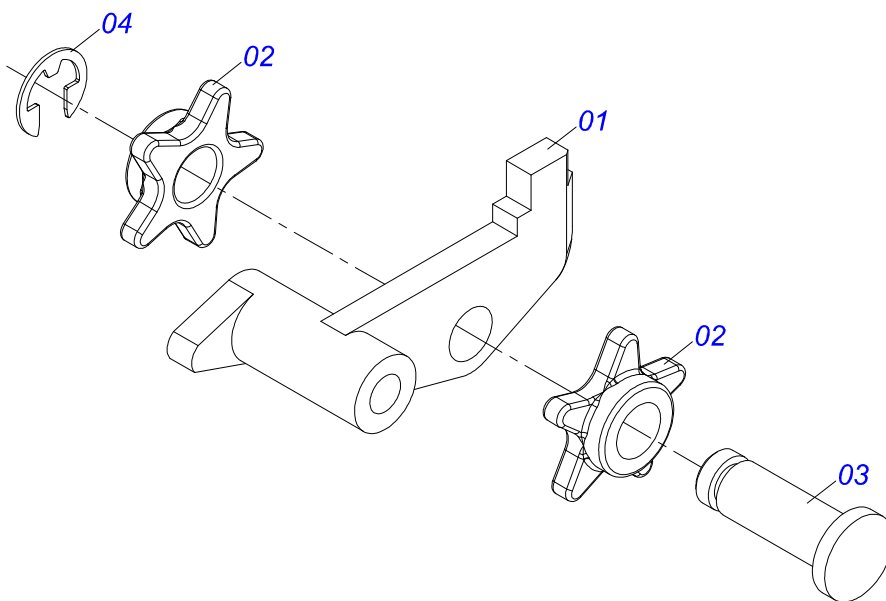


Item	Code	Description	See page	QT
01	0501050234	RIGHT COVERING DISK	23	01
02	0501011018	REGULATOR PLATE		01
03	0503010751	C3/8" X 1.1/4" HEX BOLT G.5		01
04	0501010984	10,50 X 27 X 3,00 FLAT WASHER		01
05	0503011443	SPRING WASHER 3/8"		01
06	0503010026	3/8" NUT		01
07	0502010459	RIGHT REGULATOR SUPPORT		01
08	0503010751	C3/8" X 1.1/4" HEX BOLT G.5		01
09	0501010984	10,50 X 27 X 3,00 FLAT WASHER		01
10	0503011443	SPRING WASHER 3/8"		01
11	0503010026	3/8" NUT		01



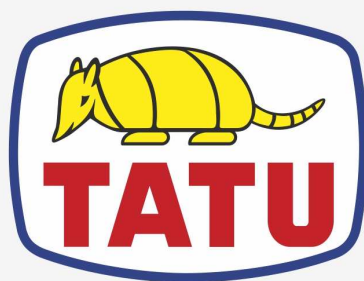


Item	Code	Description	See page	QT
01	0501052463	HUB DISC COVER		01
01A	0501012934	COVER DISC AXLE		01
01B	0502020600	MARKER ARM DISC HUB		01
01C	0503010269	6204 BALL BEARING		01
01D	0503010302	501019 SEAL RING		01
01E	0503010272	SEAL 00715-BA		01
01F	0503010691	1/4" GREASE FITTING		01
01G	0503030143	3.3" X 1.9" X 0.1" JOINT		01
01H	0503010282	1/4" X 3/4" BOLT		05
01I	0503011441	SPRING WASHER		05
01J	0503010144	1/4" NUT		05
01K	0601011502	7-9/32" X 0.12" PLAIN DISC BLADE		01
02	0502010460	RIGHT REGULATOR ARM		01
03	0503011440	SPRING WASHER		01
04	0503010060	1/2 UNC G.5 ZN HEX NUT		01



Item	Code	Description	See page	QT
01	0503031129	DOUBLE PULLEY ROCKER ARM		01
02	0503031128	5Z PLASTIC DOUBLE PULLEY FOR SOYBEAN		02
03	0521010649	TOOTH PULLEY COUPLING SHAFT		01
04	0503011853	503050 CLAMPING RING (FOR HOLE)		01





**MARCHESAN**

**Technical Publications | Elaboration and Revision**

LUIZ CANDIDO

[www.marchesan.com.br](http://www.marchesan.com.br)

