

**HINGE TYPE OFFSET DISK HARROW**

**GNPT 44/48/52/54/60/64/72/84D - HYDRAULICS**  
**GNPT 44/48/52/54/60/64/72/84D - HIDRAULICA**

**Code:** 0501093896  
**Series:** S-0224  
**Revision:** 00  
**Revision Date:** AUGUST/2024

# **PARTS CATALOGUE**



**MARCHESAN**



# PRODUCTS

Code	Working Width	Description
0102500013		GNPT 44X22X4,5 DR DMO HID PA E 1.1/2 S-0224
0102500014		GNPT 44X22X4,5 MT DMO HID PA E 1.1/2 S-0224
0102500042		GNPT 48X22X4,5 DR DMO HID PA E 1.1/2 S-0224
0102500041		GNPT 48X22X4,5 MT DMO HID PA E 1.1/2 S-0224
0102500045		GNPT 52X22X4,5 DR DMO HID PA E 1.1/2 S-0224
0102500046		GNPT 52X22X4,5 MT DMO HID PA E 1.1/2 S-0224
0102500047		GNPT 52X22X4,5 MT DMO HID PA E 1.1/2 S-0224
0102500049		GNPT 54X22X4,5 MT DMO HID PA E 1.1/2 S-0224
0102500050		GNPT 60X22X4,5 DR DMO HID E 1.1/2 S-0224
0102500051		GNPT 60X22X4,5 MT DMO HID E 1.1/2 S-0224
0102500052		GNPT 64X22X4,5 DR DMO HID E 1.1/2 S-0224
0102500053		GNPT 64X22X4,5 MT DMO HID E 1.1/2 S-0224
0102500054		GNPT 72X22X4,5 DR DMO HID E 1.1/2 S-0224
0102500055		GNPT 72X22X4,5 MT DMO PA E 1.1/2 S-0224
0102500056		GNPT 84X22X4,5 MT DMO HID E 1.1/2 S-0224
0102500057		GNPT 84X22X4,5 MT DMO HID PA E 1.1/2 S-0224

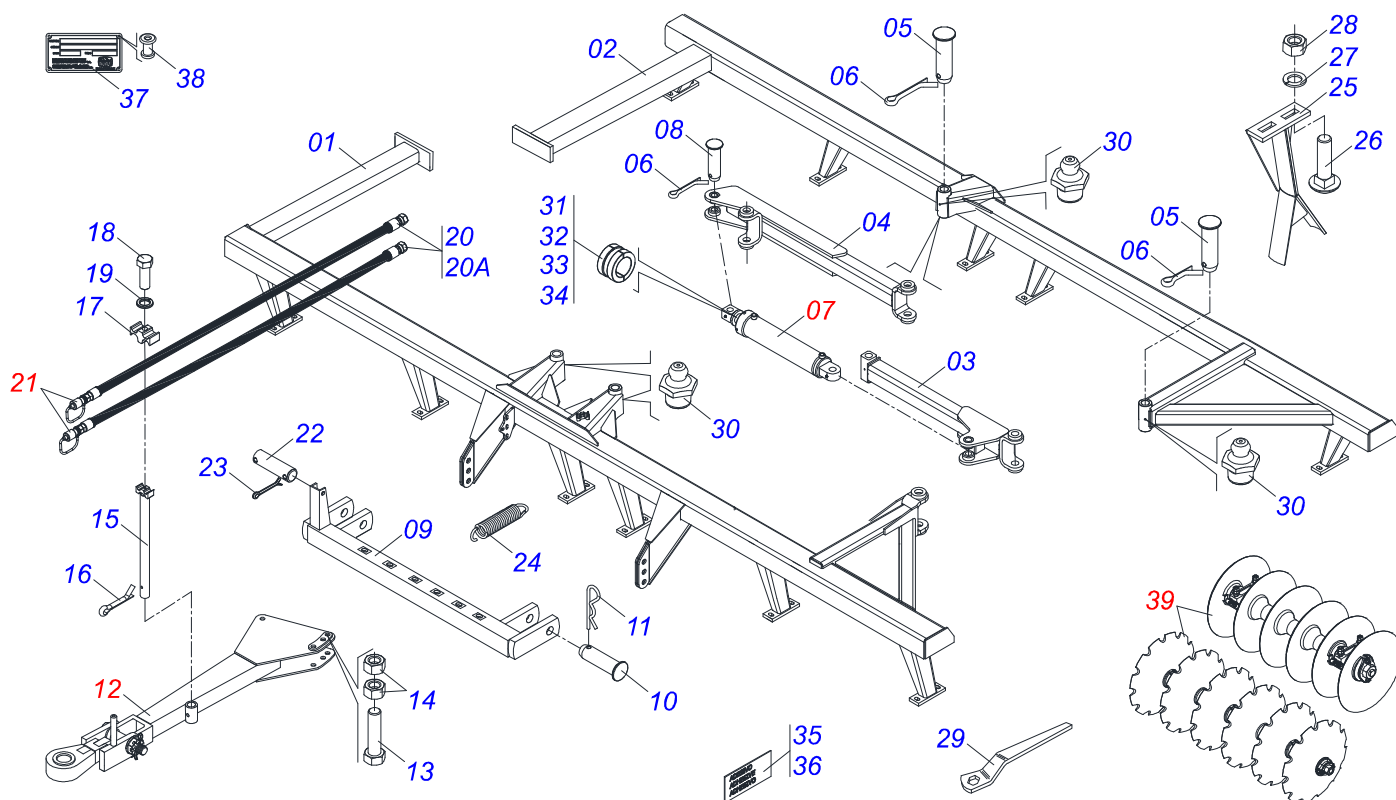
## ATTENTION: IMPORTANT

Marchesan S.A. reserves the right to improve and/or modify the technical features of its products, without obligation to do the same with those products already sold and without prior knowledge of the dealer or the customer. The photos are only illustrative.



# INDEX

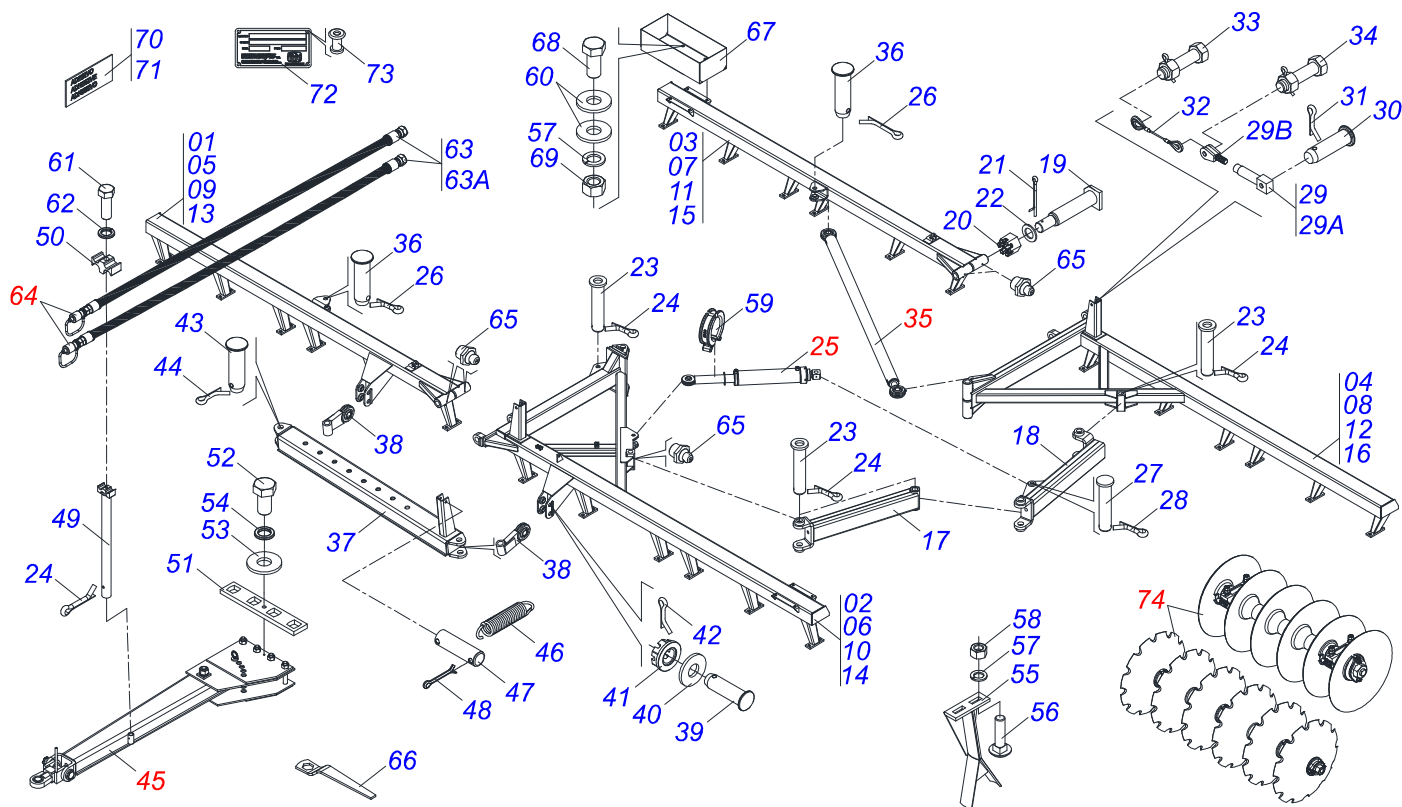
0909097344	ASSY FRAME - 44/48/52/54D	.....	1
0909097346	ASSY FRAME - 60/64/72/84D	.....	2
0511048232	HYDRAULIC CILINDER CH	.....	3
0511046412	HYDRAULIC CYLINDER	.....	4
0511050413	DRAYBAR	.....	5
0511050314	AXLE ASSY	.....	6
0501053834	MALE QUICK COUPLER	.....	7
0909097345	DISC GANG ASSY - 44/48/52/54/60/64/72/84D	.....	8
0531042480	196 X 1.1/2 DMO AGRICULTURAL BEARING WITH PROTECTION SUPPORT	.....	9
0531055221	196 X 1.1/2 IMP DMO AGRICULTURAL BEARING	.....	10



Item	Code	Description	See page	044	048	052	054
01	0521064787	FRONT FRAME - 44		001	000	000	000
01.	0521064660	FRONT FRAME - 48		000	001	000	000
01..	0521064788	FRONT FRAME - 52		000	000	001	000
01...	0521064639	FRONT FRAME - 54		000	000	000	001
02	0521061280	REAR FRAME - 44		001	000	000	000
02.	0521061286	REAR FRAME - 48		000	001	000	000
02..	0521061284	REAR FRAME - 52		000	000	001	000
02...	0521061282	REAR FRAME - 54		000	000	000	001
03	0521061058	ARM FRONT		001	001	001	001
04	0521061059	REAR ARM		001	001	001	001
05	0511060177	PIN		004	004	004	004
06	0503010010	1/4" X 2.1/2" SPLIT PIN		006	006	006	006
07	0511048232	HYDRAULIC CILINDER CH	3	001	001	001	001
08	0531017203	PIN		002	002	002	002
09	0511060640	DRAWBAR ASSY		001	001	001	001
10	0521014519	PIN WITH HEAD PN-009		002	002	002	002
11	0503031470	TM 251 X 4,0 STAPLE		002	002	002	002
12	0511050413	DRAYBAR	5	001	001	001	001
13	0503013185	BOLT 3/4" UNC X 5.1/2 C S G.7 ZN		002	002	002	002
14	0503012183	SNC 3/4" ZIN 1K03097 NUT		004	004	004	004
15	0511060205	SUPPORT HOSE CNS 20104N		001	001	001	001
16	0503012215	5/16" X 2.1/2" SPLIT PIN		001	001	001	001
17	0502012702	BODY SUPPORT CLAMP		002	002	002	002
18	0503012555	7/16" UNC X 2" CS RT G.7 ZN SCREW		002	002	002	002
19	0503010180	7/16" SPRING WASHER		002	002	002	002
20	0501058493	HOSE ASSY		001	001	001	001
20A	0501080651	3/8 X 5400 TM-TM HOSE		002	002	002	002
21	0501053834	MALE QUICK COUPLER	7	002	002	002	002
22	0521013816	PIN SEM HEAD PN-052		001	001	001	001
23	0503010362	1/8" X 1.1/4" SPLIT PIN		002	002	002	002
24	0503031498	SPRING		001	001	001	001
25	0511060204	CLEANER		032	036	040	042



Item	Code	Description	See page	044	048	052	054
26	0503019588	BOLT		060	068	076	080
27	0503010019	1/2" SPRING WASHER		064	072	080	084
28	0503010020	1/2"NUT		060	068	076	080
29	0501011432	1-1/2" AND 1-5/8 GANG BOLT WRENCH		002	002	002	002
30	0503010002	1800 GREASE FITTING		005	005	005	005
31	0501047895	25 ROD STOP		002	002	002	002
32	0501047885	30 ROD STOP		001	001	001	001
33	0501047886	35 ROD STOP		001	001	001	001
34	0501047887	40 ROD STOP		001	001	001	001
35	0503031428	ATTENTION READ MANUAL DECAL		001	001	001	001
35.	0503031738	WARNING DECAL		001	001	001	001
35..	0503033038	DANGER DECAL		001	001	001	001
35...	0503034438	ADHESIVE LABEL		001	001	001	001
36	0503031087	AUTO CONTROL APPROVED DECAL		001	001	001	001
36.	0503033954	ADHESIVE LABEL		001	001	001	001
36..	0503033955	ADHESIVE LABEL		001	001	001	001
36...	0503031739	DANGER DECAL		001	001	001	001
37	0503034003	61 X 118 SERIAL NUMBER TAG		001	001	001	001
38	0503010001	RIVET 3,2 X 5,5		004	004	004	004
39		DISC GANG ASSY - 44/48/52/54/60/64/72/84D	8				



Item	Code	Description	See page	060	064	072	084
01	0521064789	FRONT FRAME		001	000	000	000
02	0511063973	LEFT FRONT FRAME - 60		001	000	000	000
03	0511063976	RIGHT REAR FRAME - 60		001	000	000	000
04	0511063975	LEFT REAR FRAME - 60		001	000	000	000
05	0521064717	RIGHT FRONT FRAME - 64		000	001	000	000
06	0511065028	LEFT REAR FRAME - 64		000	001	000	000
07	0511065027	RIGHT REAR FRAME - 64		000	001	000	000
08	0511065030	LEFT REAR FRAME - 64		000	001	000	000
09	0521064661	FRONT FRAME - 72		000	000	001	000
10	0511062293	LEFT FRONT FRAME - 72		000	000	001	000
11	0511062290	RIGHT REAR FRAME - 72		000	000	001	000
12	0511062291	LEFT REAR FRAME - 72		000	000	001	000
13	0521064662	FRONT FRAME		000	000	000	001
14	0511067973	LEFT FRONT FRAME - 84		000	000	000	001
15	0511067971	RIGHT REAR FRAME - 84		000	000	000	001
16	0511067972	LEFT REAR FRAME - 84		000	000	000	001
17	0511062278	ARM FRONT		001	001	001	001
18	0511062277	REAR ARM		001	001	001	001
19	0511062283	PIVOT PIN		003	003	003	003
20	0502011592	CASTLE NUT		004	004	004	004
21	0503012213	1/4" X 4" SPLIT PIN		003	003	003	003
22	0501012916	FLAT WASHER 40 X 66 X 4,75 ZN		004	004	004	004
23	0511060259	PIN		003	003	003	003
24	0503012215	5/16" X 2.1/2" SPLIT PIN		004	004	004	004
25	0511046412	HYDRAULIC CYLINDER	4	001	001	001	001
26	0503010010	1/4" X 2.1/2" SPLIT PIN		006	006	006	006
27	0521014929	PIN WITH HEAD PN-034 3090349		002	002	002	002
28	0503010523	1/4 X 2 SPLIT PIN		002	002	002	002
29	0521044092	CABLE STEEL TURNBUCKLE		002	002	002	002
29A	0521064798	EXTENSION SPINDLE ASSEMBLY		001	001	001	001
29B	0521064799	ADJUSTMENT SET		001	001	001	001
30	0521016834	PIN WITH HEAD PN-006 3090065 ZN		002	002	002	002

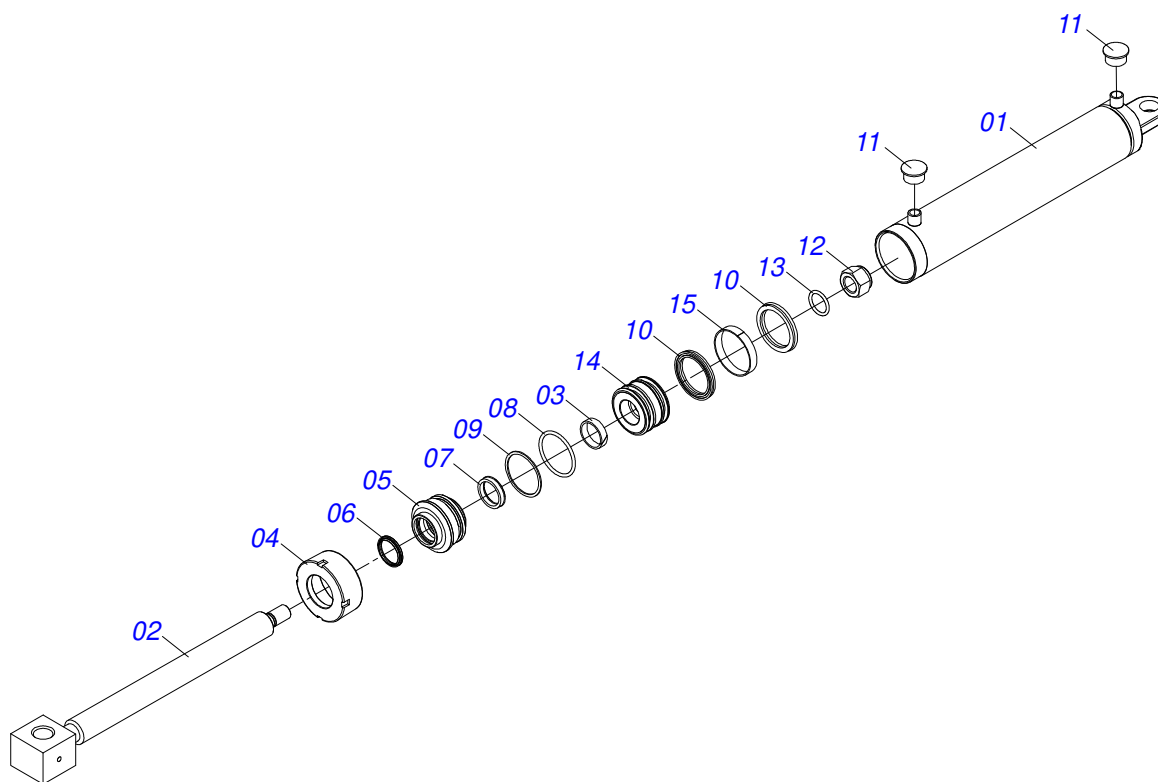


## ASSY FRAME - 60/64/72/84D

0909097346

Item	Code	Description	See page	060	064	072	084
31	0503010362	1/8" X 1.1/4" SPLIT PIN		002	002	002	002
32	0503031648	STEEL CABLE		002	002	002	002
33	0521013784	BOLT CABLE		002	002	002	002
34	0521013783	BOLT CABLE		002	002	002	002
35	0511062281	TURNBUCKLE GNC 721000		002	002	002	002
36	0511062275	PIN		002	002	002	002
37	0511062279	DRAWBAR ASSY		001	001	001	001
38	0511062282	HITCH BODY		002	002	002	002
39	0521019898	PIN PN-217 3092173		002	002	002	002
40	0521012664	FLAT WASHER		002	002	002	002
41	0503012457	UNF 1.1/4" CASTLE NUT		002	002	002	002
42	0503010067	3/16" X 2.1/2" SPLIT PIN		002	002	002	002
43	0511062274	PIN		004	004	004	004
44	0503012213	1/4" X 4" SPLIT PIN		004	004	004	004
45	0511050314	AXLE ASSY	6	001	001	001	001
46	0503031511	SPRING		001	001	001	001
47	0521014140	HEADLESS CLEVIS PIN		001	001	001	001
48	0503010362	1/8" X 1.1/4" SPLIT PIN		002	002	002	002
49	0511060205	SUPPORT HOSE CNS 20104N		001	001	001	001
50	0502012702	BODY SUPPORT CLAMP		003	003	003	003
51	0521013774	LOCK		001	001	001	001
52	0501010108	5/8" X 1" BOLT		001	001	001	001
53	0501012140	FLAT WASHER 16,50 X 40 X 4,00 ZN		001	001	001	001
54	0503010027	5/8 SPRING WASHER		001	001	001	001
55	0511060204	CLEANER		044	048	048	060
56	0501010243	1/2" X 1-1/2" BOLT		084	092	092	116
57	0503010019	1/2" SPRING WASHER		092	100	100	124
58	0503012682	1/2" BSW NUT		084	092	092	116
59	0501047895	25 ROD STOP		004	004	004	004
59.	0501047885	30 ROD STOP		001	001	001	001
59..	0501047886	35 ROD STOP		001	001	001	001
59...	0501047887	40 ROD STOP		001	001	001	001
60	0511017302	FLAT WASHER 13,50 X 32,50 X 3,0 ZN		008	008	008	008
61	0503012555	7/16" UNC X 2" CS RT G.7 ZN SCREW		003	003	003	003
62	0503010180	7/16" SPRING WASHER		003	003	003	003
63	0501053218	HOSE ASSY		001	001	001	001
63A	0501080803	TM-TM HOSE ASSY		002	002	002	002
64	0501053834	MALE QUICK COUPLER	7	002	002	002	002
65	0503010002	1800 GREASE FITTING		021	021	021	021
66	0501011432	1-1/2" AND 1-5/8 GANG BOLT WRENCH		002	002	002	002
67	0511062276	WEIGHT BOX		001	001	001	001
68	0503010834	1/2 X 1 BOLT		004	004	004	004
69	0503010060	1/2 UNC G.5 ZN HEX NUT		012	012	012	012
70	0503031428	ATTENTION READ MANUAL DECAL		001	001	001	001
70.	0503031738	WARNING DECAL		001	001	001	001
70..	0503033038	DANGER DECAL		001	001	001	001
70...	0503031087	AUTO CONTROL APPROVED DECAL		001	001	001	001
71	0503033954	ADHESIVE LABEL		001	001	001	001
71.	0503033955	ADHESIVE LABEL		001	001	001	001
71..	0503034438	ADHESIVE LABEL		001	001	001	001
71...	0503031739	DANGER DECAL		001	001	001	001
72	0503034003	61 X 118 SERIAL NUMBER TAG		001	001	001	001
73	0503010001	RIVET 3,2 X 5,5		004	004	004	004
74		DISC GANG ASSY - 44/48/52/54/60/64/72/84D	8				

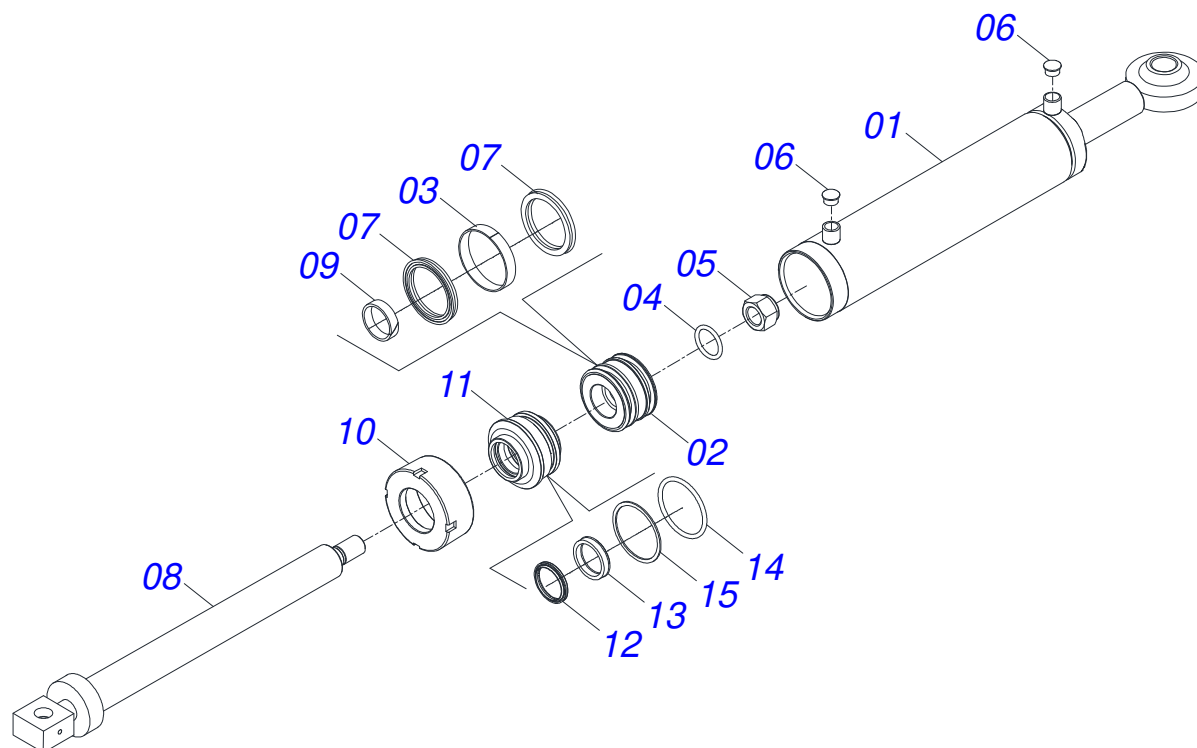
HYDRAULIC CILINDER CH



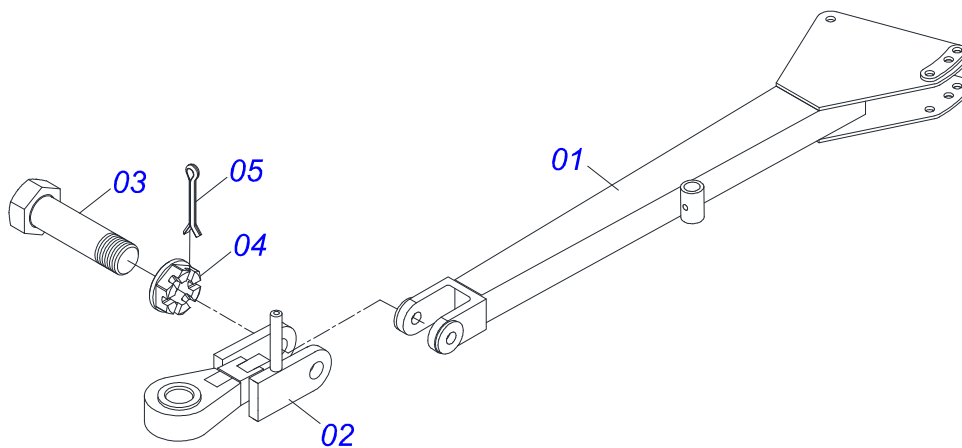
Item	Code	Description	See page	QT
01	0521061266	CYLINDER CASE		01
02	0521061265	SCARIFIER SPINDLE SET		01
03	0503010952	W2-2250-500 RING		01
04	0502010017	4" LID		01
05	0502010778	2" X 4.2" RING SUPPORT		01
06	0503010039	D-2000 SCRAPER RING		01
07	0503010991	1870-2000-375-B GASKET		01
08	0503010338	2-342 N 3006-9B O'RING		01
09	0503011061	8-342 BACK-UP RING		01
10	0503010043	PACKING 3750-3250		02
11	0503030384	PLUG N-001		02
12	0503010817	1.1/4" SELF LOCKING NUT		01
13	0503010345	2-218 N 3006-9B O'RING		01
14	0502010992	2.0" X 4.0" PISTON		01
15	0503010994	W2-4000-500 PK RING G.E		01



HYDRAULIC CYLINDER

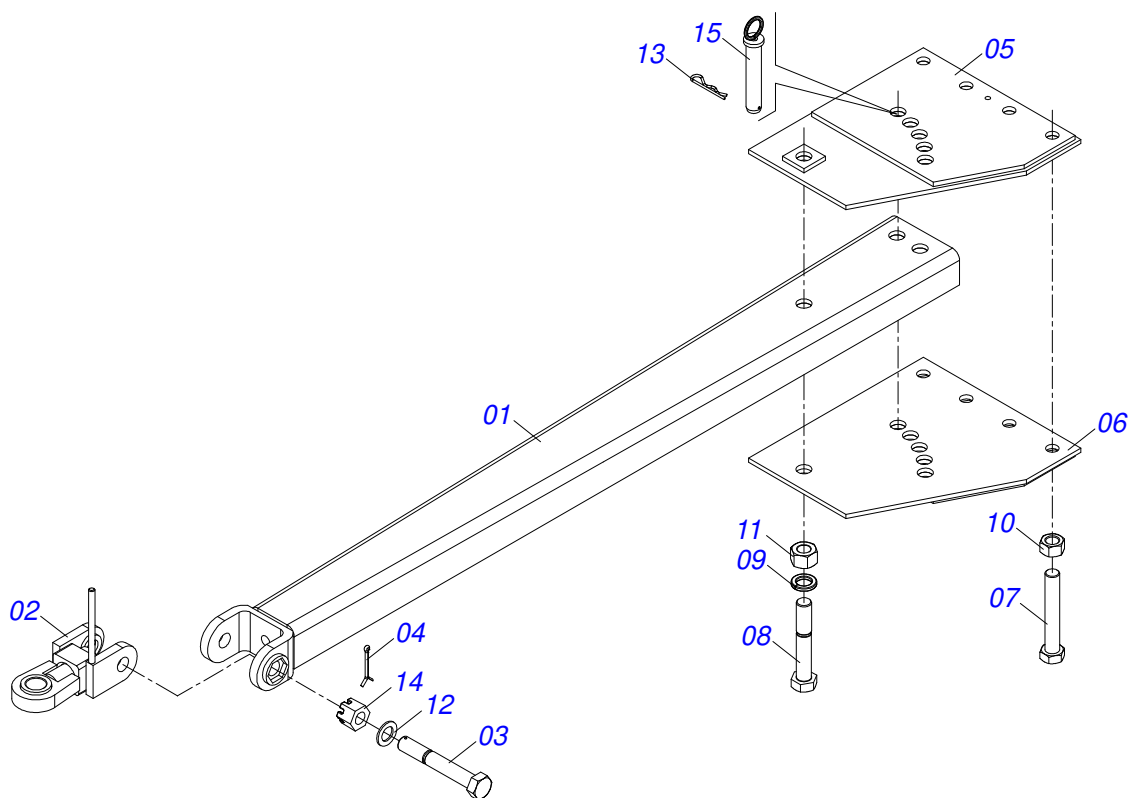


Item	Code	Description	See page	QT
01	0511069435	CYLINDER CASE		01
02	0502010992	2.0" X 4.0" PISTON		01
03	0503010994	W2-4000-500 PK RING G.E		01
04	0503010345	2-218 N 3006-9B O'RING		01
05	0503010817	1.1/4" SELF LOCKING NUT		01
06	0503030384	PLUG N-001		02
07	0503010043	PACKING 3750-3250		02
08	0511069434	SCARIFIER SPINDLE SET		01
09	0503010952	W2-2250-500 RING		01
10	0502010017	4" LID		01
11	0502010778	2" X 4.2" RING SUPPORT		01
12	0503010039	D-2000 SCRAPER RING		01
13	0503010991	1870-2000-375-B GASKET		01
14	0503010338	2-342 N 3006-9B O'RING		01
15	0503011061	8-342 BACK-UP RING		01

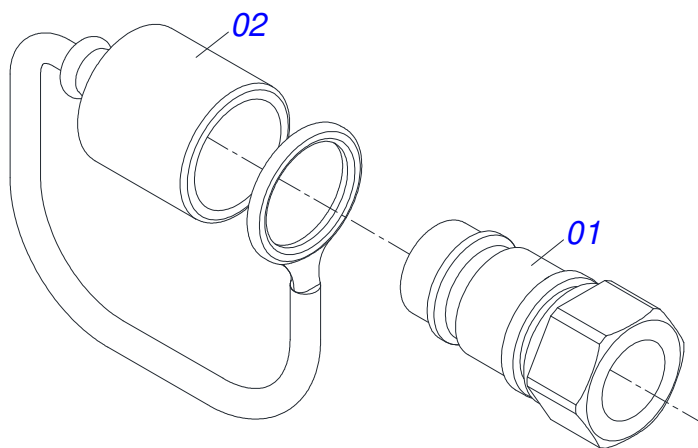


Item	Code	Description	See page	QT
01	0511060638	AXLE ASSY		01
02	0511060639	HOOK HITCH		01
03	0521014427	BOLT BORED		01
04	0503016586	CASTLE NUT		01
05	0503010067	3/16" X 2.1/2" SPLIT PIN		01

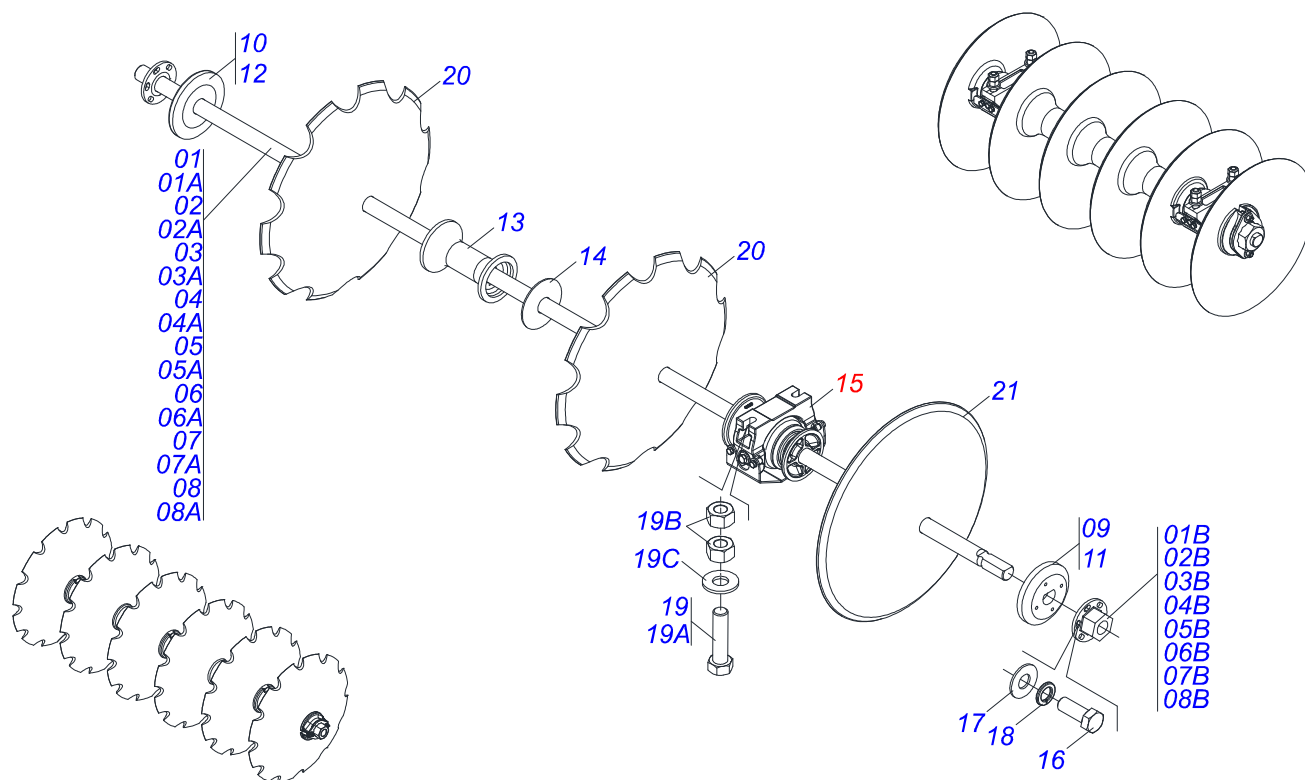
AXLE ASSY



Item	Code	Description	See page	QT
01	0511062280	AXLE ASSY		01
02	0511063351	HITCH		01
03	0521013739	BOLT HARNESS		01
04	0503010010	1/4" X 2.1/2" SPLIT PIN		01
05	0511060171	PLATE HITCH		01
06	0511060172	PLATE HITCH		01
07	0503012174	1-1/4" X 8-1/4" BOLT		04
08	0503012258	1-1/2" X 9" BOLT		01
09	0503010069	1.1/2" SPRING WASHER		01
10	0503012181	1.1/4" NUT		04
11	0503012259	UNC1.1/2" ZIN 1K03155 NUT		01
12	0501012916	FLAT WASHER 40 X 66 X 4,75 ZN		01
13	0503031479	STAPLE		01
14	0502011592	CASTLE NUT		01
15	0511060146	PIN FIXER		01



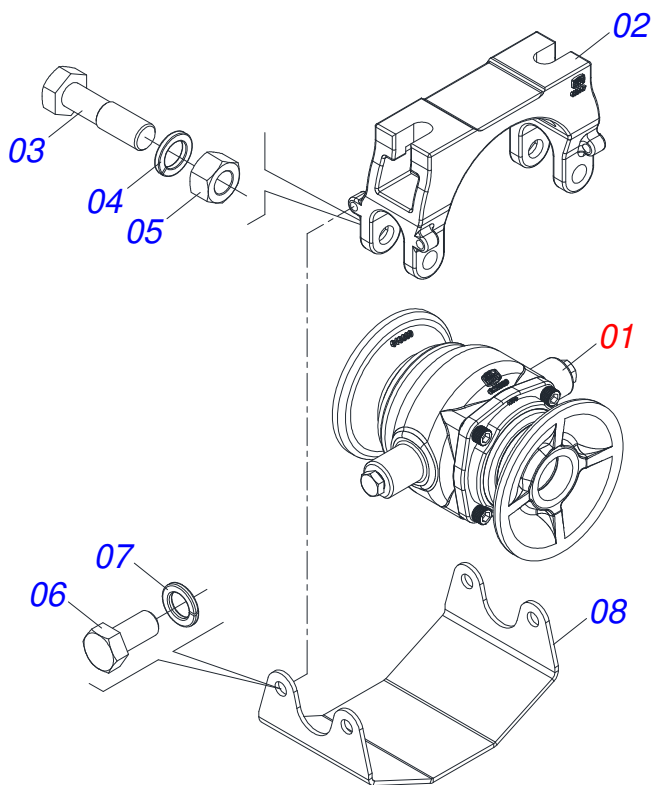
Item	Code	Description	See page	QT
01	0503011627	MALE QUICK COUPLER AGR 1/2 NPT		01
02	0503011882	MALE QUICK COUPLER CAP		01



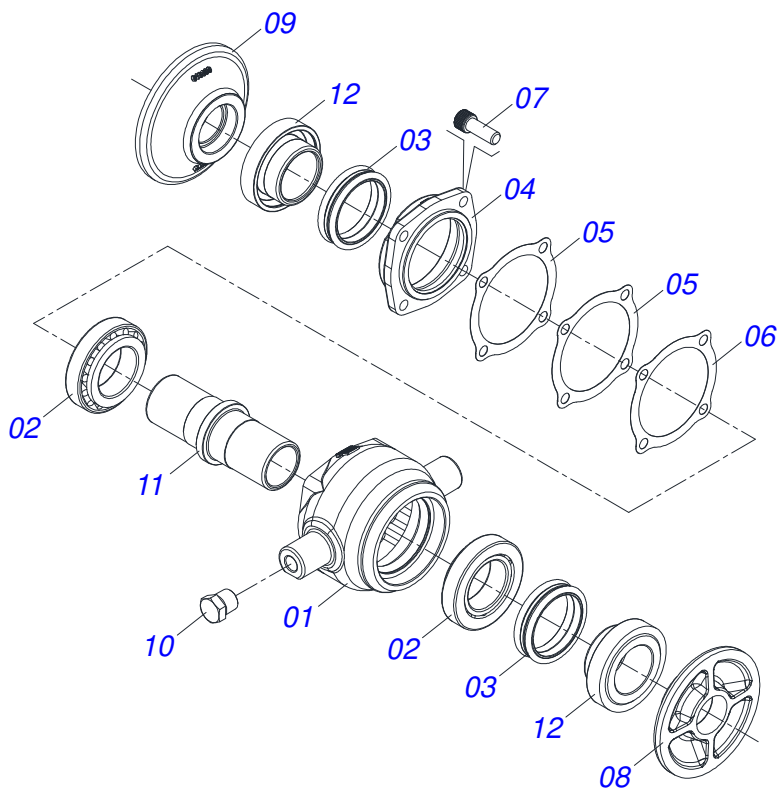
Item	Code	Description	See page	044	048	052	054	060	064	072	084
01	0511050184	AXLE DISC WITH NUTS		004	000	000	000	000	000	000	004
01A	0511060806	AXLE DISC		001	000	000	000	000	000	000	001
01B	0502011593	7" AXLE NUT		001	000	000	000	000	000	000	001
02	0511050329	AXLE DISC WITH NUTS		000	004	000	000	000	000	000	000
02A	0511060786	AXLE DISC		000	001	000	000	000	000	000	000
02B	0502011593	7" AXLE NUT		000	001	000	000	000	000	000	000
03	0511050778	AXLE DISC WITH NUTS		000	000	004	002	000	000	000	000
03A	0511060805	AXLE DISC		000	000	001	001	000	000	000	000
03B	0502011593	7" AXLE NUT		000	000	001	001	000	000	000	000
04	0511050305	AXLE DISC WITH NUTS		000	000	000	002	000	000	000	000
04A	0511060807	AXLE DISC		000	000	000	001	000	000	000	000
04B	0502011593	7" AXLE NUT		000	000	000	001	000	000	000	000
05	0511050562	AXLE DISC WITH NUTS		000	000	000	000	004	008	000	000
05A	0511060787	AXLE DISC		000	000	000	000	001	001	000	000
05B	0502011593	7" AXLE NUT		000	000	000	000	001	001	000	000
06	0511050313	AXLE DISC WITH NUTS		000	000	000	000	000	000	000	004
06A	0511060781	AXLE DISC		000	000	000	000	000	000	000	001
06B	0502011593	7" AXLE NUT		000	000	000	000	000	000	000	001
07	0511050751	AXLE DISC		000	000	000	000	004	000	000	000
07A	0511060808	AXLE DISC		000	000	000	000	001	000	000	000
07B	0502011593	7" AXLE NUT		000	000	000	000	001	000	000	000
08	0511051175	AXLE DISC WITH NUTS		000	000	000	000	000	000	008	000
08A	0511060780	AXLE DISC		000	000	000	000	000	000	001	000
08B	0502011593	7" AXLE NUT		000	000	000	000	000	000	001	000
09	0502011609	OUTER FLANGE		002	002	002	002	004	004	004	004
10	0502011608	INNER FLANGE		002	002	002	002	004	004	004	004
11	0502011607	OUTER FLANGE		002	002	002	002	004	004	004	004
12	0502011606	INNER FLANGE		002	002	002	002	004	004	004	004
13	0502011594	SPACER		028	032	036	038	036	040	040	052
14	0521013879	GNC 57900 CHOCK		008	012	012	012	016	016	024	016
15	0531042480	196 X 1.1/2 DMO AGRICULTURAL BEARING WITH 9 PROTECTION SUPPORT		012	012	012	012	016	016	024	024



Item	Code	Description	See page	044	048	052	054	060	064	072	084
16	0503010237	3/8" X 1" BOLT		008	008	008	008	016	016	016	016
17	0501013518	FLAT WASHER 10,50 X 24 X 1,50 ZN		008	008	008	008	016	016	016	016
18	0503010025	3/8" SPRING WASHER		008	008	008	008	016	016	016	016
19	0521048902	SCREW ASSEMBLY 5/8 UNC 3		024	024	024	024	032	032	048	048
19A	0501011541	5/8 UNC X 3 CS G.5 ZN1K28066 BOLT		001	001	001	001	001	001	001	001
19B	0503010013	5/8 UNC G.5 ZN HEX NUT		002	002	002	002	002	002	002	002
19C	0501012140	FLAT WASHER 16,50 X 40 X 4,00 ZN		001	001	001	001	001	001	001	001
20	0602029409	DR 22 X 4,50 C74AF02FR1.9/16 10R		044	048	052	054	060	064	072	084
21	0601029406	DL 22 X 4,50 C74AF02FR1.9/16		044	048	052	054	060	064	072	084



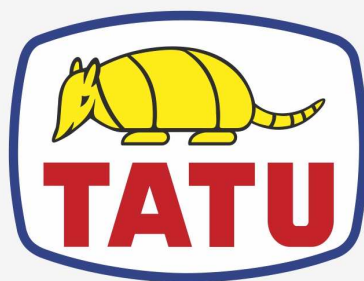
Item	Code	Description	See page	QT
01	0531055221	196 X 1.1/2 IMP DMO AGRICULTURAL BEARING	10	01
02	0502013047	BEARING SUPPORT		01
03	0501011541	5/8 UNC X 3 CS G.5 ZN1K28066 BOLT		02
04	0503010027	5/8 SPRING WASHER		02
05	0503010013	5/8 UNC G.5 ZN HEX NUT		02
06	0503011334	3/8 UNC X 3/4 CS G.5 ZN BOLT		04
07	0503010025	3/8" SPRING WASHER		04
08	0581014143	SWIVEL OIL BATH BEARING WEAR PLATE		01



Item	Code	Description	See page	QT
01	0502012839	BEARING HOUSING 182/192,5		01
02	0503010006	32210 ROLLER BEARING		02
03	0503030026	SEAL LP JB-253		02
04	0502020424	HOUSING CAP 182/192,225		01
05	0503030013	4.4" X 3.5" X 0.004" JOINT		02
06	0503030684	4.4" X 3.5" X 0.004" JOINT		01
07	0503010134	3/8" X 1" BOLT		04
08	0501216951	INNER FLANGE		01
09	0501216952	OUTER FLANGE		01
10	0503010856	OIL PLUG R 3/8 BSPT		02
11	0502040061	182/192,5 AXLE		01
12	0502010541	SEAL HOLDER		02







**MARCHESAN**

**Technical Publications | Elaboration and Revision**

LUIZ CANDIDO

[www.marchesan.com.br](http://www.marchesan.com.br)

