

OFFSET DISK HARROW

GAPCR 360 PC - 24D - AXLE 2.1/8”
GAPCR 360 PC - 24D - EIXO 2.1/8”

Code: 0501093893
Series: S-1123
Revision: 00
Revision Date: APRIL/2024

PARTS CATALOGUE



MARCHESAN



PRODUCTS

Code	Working Width	Description
0102060612		GAPCR 360 PC 24X34X9 DR DMO E2.1/8 PN400/60 S-1123

ATTENTION: IMPORTANT

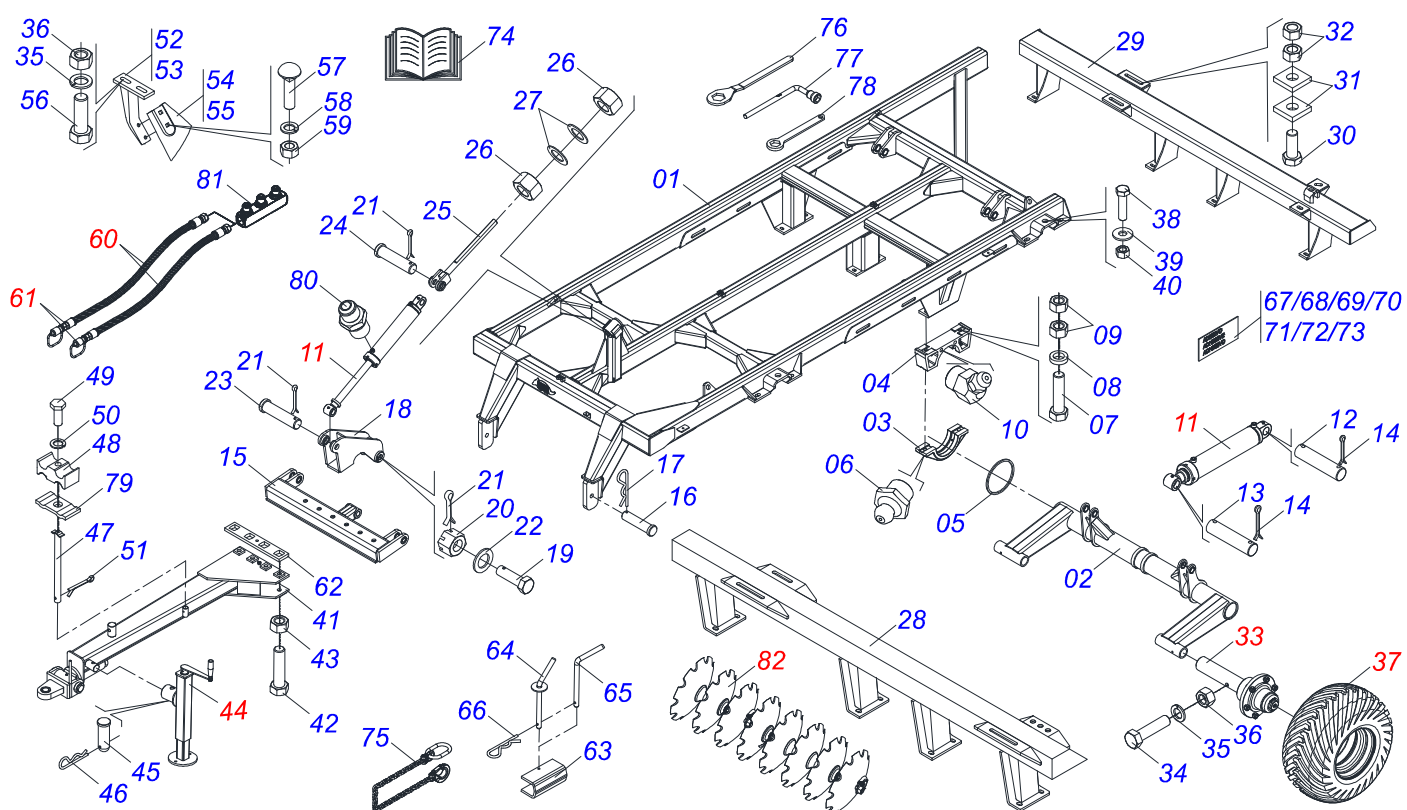
Marchesan S.A. reserves the right to improve and/or modify the technical features of its products, without obligation to do the same with those products already sold and without prior knowledge of the dealer or the customer. The photos are only illustrative.



MARCHESAN

INDEX

0909097194	ASSY FRAME	1
0531041451	HYDRAULIC CYLINDER 53,98 X 101,6 X 728 X 400	2
0501057793	HOSE SET	3
0501055850	CARRYNG WHEEL HUB ASSEMBLY ASSY	4
0511048088	DRAWBAR JACK	5
0501053834	MALE QUICK COUPLER	6
0909097195	DISC GANG ASSY	7
0531041578	AGRICULTURAL BEARING DM OL 360 X 2.1/8	8
0531052835	AGRICULTURAL BEARING DM OL 360 X 2.1/8 SWING	9



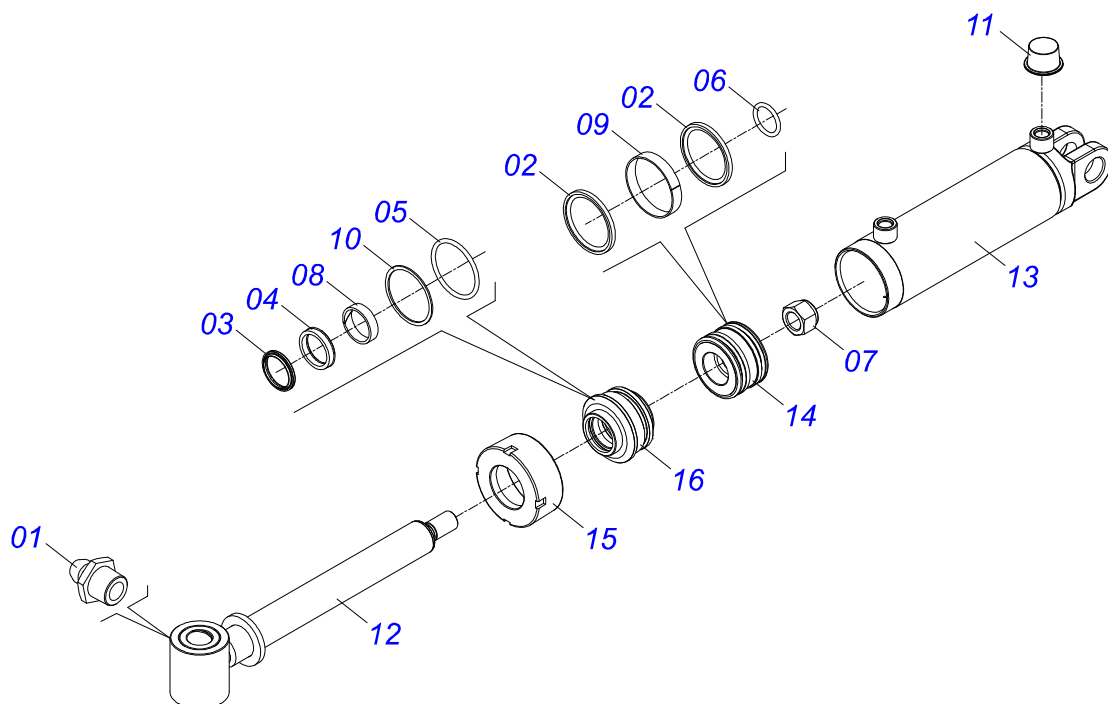
Item	Code	Description	See page	QT
01	0521063303	FRAME		01
02	0511069921	AXLE WHEEL		01
03	0502011724	INF BEARING SEMI		03
04	0502011725	UPPER BEARING SEMI		03
05	0503012222	FELT RING		06
06	0503010002	1800 GREASE FITTING		06
07	0511016281	3/4" X 8" BOLT		06
08	0521813710	WASHER		06
09	0503012183	SNC 3/4" ZIN 1K03097 NUT		14
10	0503010003	1845 GREASE FITTING		06
11	0531041451	HYDRAULIC CYLINDER 53,98 X 101,6 X 728 X 400	2	03
12	0521013706	HEADLESS PIN		02
13	0591019956	44,45 X 168 HEADLESS PIN		02
14	0503010010	SPLIT PIN 1/4" X 2.1/2"		09
15	0511068298	DRAWBAR ASSY		01
16	0521013738	CLEVIS PIN		02
17	0503031479	STAPLE		02
18	0511068913	DRAWBAR PIVOT		01
19	0521013739	BOLT HARNESS		01
20	0502011592	CASTLE NUT		01
21	0503012231	1/4" X 3" SPLIT PIN		01
22	0501812916	FLAT WASHER		01
23	0551012506	PIN		01
24	0551012480	PIN		01
25	0511068911	REAR AXLE ASSY		02
26	0501810333	1.3/4 NUT		02
27	0521014368	FLAT WASHER		02
28	0531068032	FRONT FRAME		01
29	0531068033	REAR FRAME		01
30	0503012257	1" X 4-1/4" BOLT		08
31	0521013709	REINFORCING WASHER		16
32	0503012182	1" NUT		16



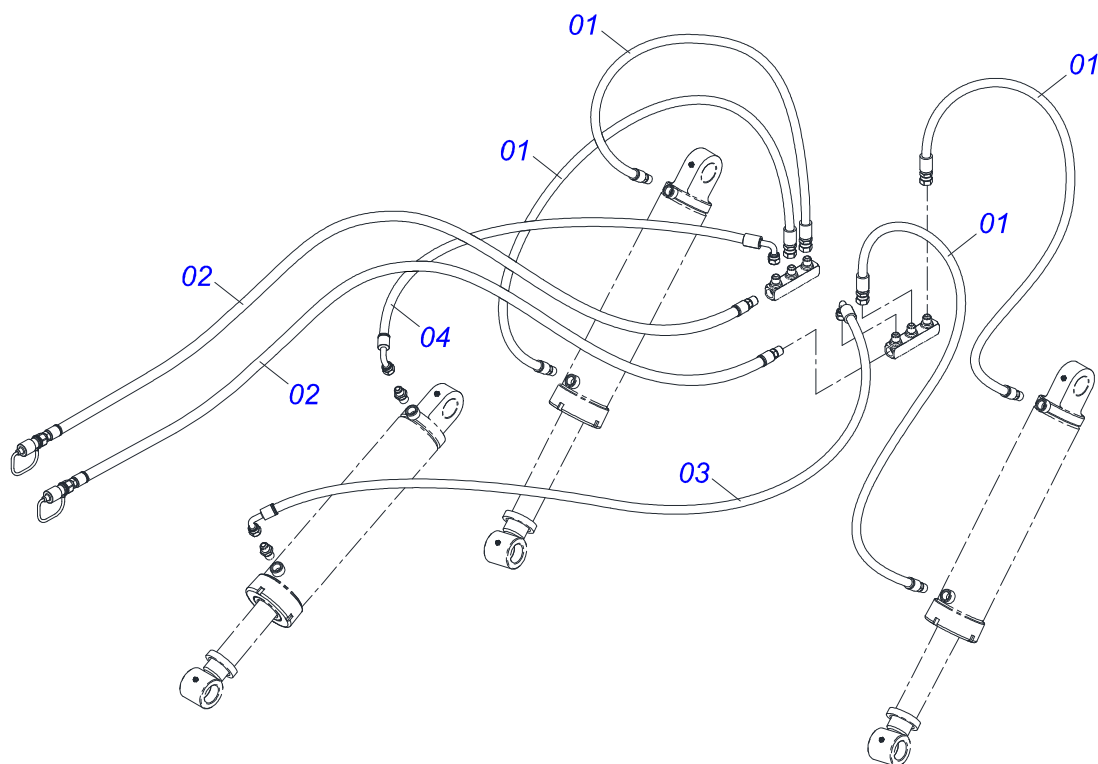
ASSY FRAME

0909097194

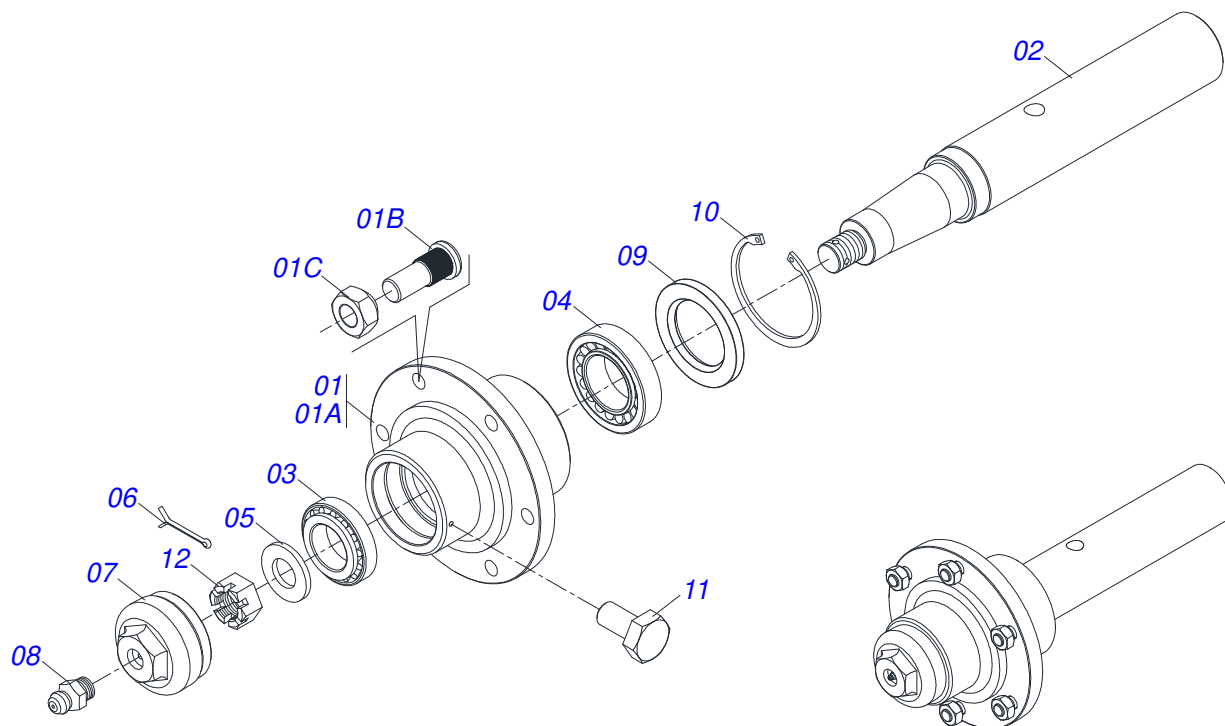
Item	Code	Description	See page	QT
33	0501055850	CARRYNG WHEEL HUB ASSEMBLY ASSY	4	02
34	0503011084	3/4" X 5" BOLT		02
35	0503010023	3/4" SPRING WASHER		50
36	0503012183	SNC 3/4" ZIN 1K03097 NUT		02
37	0503061868	400/60 WHEEL WITH TIRE		02
38	0503019212	BOLT		02
39	0521014368	FLAT WASHER		02
40	0502011692	3442029 NUT		02
41	0511068296	DRAWBAR		01
42	0503012174	1-1/4" X 8-1/4" BOLT		04
43	0503012181	1.1/4" NUT		04
44	0511048088	DRAWBAR JACK	5	01
45	0561014251	COUPLING SHAFT		01
46	0503030012	HITCH PIN CLIP		01
47	0511060205	SUPPORT HOSE CNS 20104N		01
48	0502012702	BODY SUPPORT CLAMP		04
49	0503012555	7/16" UNC X 2" CS RT G.7 ZN SCREW		05
50	0503010180	7/16" SPRING WASHER		05
51	0503012215	5/16" X 2.1/2" SPLIT PIN		01
52	0511060139	REAR CLEANER SUPPORT		12
53	0511060138	FRONT CLEANER SUPPORT		12
54	0521013679	REAR CLEANER		12
55	0521013678	FRONT CLEANER		12
56	0501017305	3/4" X 2-1/4" BOLT		48
57	0503012407	5/8" X 1-1/2" BOLT		48
58	0503010027	5/8 SPRING WASHER		48
59	0503010013	5/8 UNC G.5 ZN HEX NUT		48
60	0501057793	HOSE SET	3	01
61	0501053834	MALE QUICK COUPLER	6	02
62	0521013774	LOCK		01
63	0591018207	LOCK FOR TRANSPORT		03
64	0511060137	ASSEMBLY LOCK PIN		01
65	0541016844	FIXER LOCK		03
66	0503030285	HITCH PIN CLIP		03
67	0503031428	ATTENTION READ MANUAL DECAL		01
68	0503031087	AUTO CONTROL APPROVED DECAL		01
69	0503034078	LIFTING POINTS DECAL		03
70	0503033038	DANGER DECAL		01
71	0503031738	WARNING DECAL		01
72	0503031739	DANGER DECAL		01
73	0503061972	GAPCR 360 DECAL SET		01
74	0511030134	BAG WITH INSTRUCTION MANUAL		01
75	0503013150	1300 X 3/8" CHAIN		01
76	0501316941	KEY 2.1/8 AND 2.1/2		02
77	0501061617	1" GANG BOLT WRENCH		01
78	0531013656	WRENGH		01
79	0531011180	SUPPORT		03
80	0551012528	ADAPTER (GND)		02
81	0511068300	CONNECTION TERMINAL		02
82		DISC GANG ASSY	7	



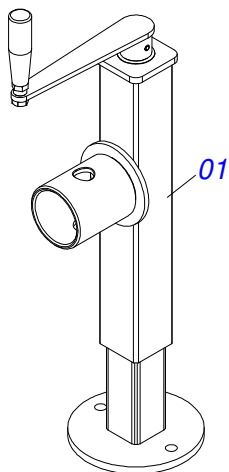
Item	Code	Description	See page	QT
01	0503010002	1800 GREASE FITTING		02
02	0503010043	PACKING 3750-3250		02
03	0503010314	GASKET		01
04	0503010319	D-2125 SCRAPER		01
05	0503010338	2-342 N 3006-9B O'RING		01
06	0503010345	2-218 N 3006-9B O'RING		01
07	0503010817	1.1/4" SELF LOCKING NUT		01
08	0503010973	W2-2500-500 PK O'RING G.E		01
09	0503010994	W2-4000-500 PK RING G.E		01
10	0503011061	8-342 BACK-UP RING		01
11	0503030384	PLUG N-001		02
12	0531062835	EXTENDER 53.98 X 609		01
13	0511062253	CYLINDER CASE		01
14	0502011969	53,98 X 101,60 PISTON		01
15	0502010017	4" LID		01
16	0502011250	RING OF SUPPORT		01



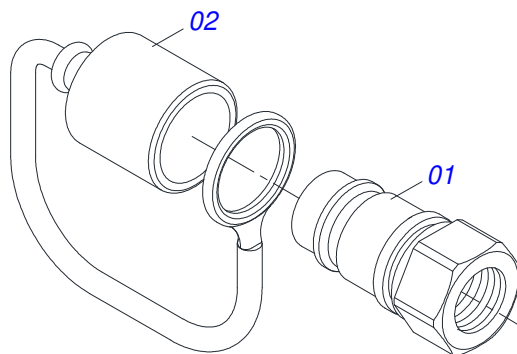
Item	Code	Description	See page	QT
01	0501080801	HOSE 3/8" X 43.30" TR-TM		04
02	0501080821	3/8" X 303.15" TM-TM HOSE		02
03	0501080909	3/8" X 181" TC-TC HOSE		01
04	0501080751	3/8" X 165.35" TC-TC HOSE		01



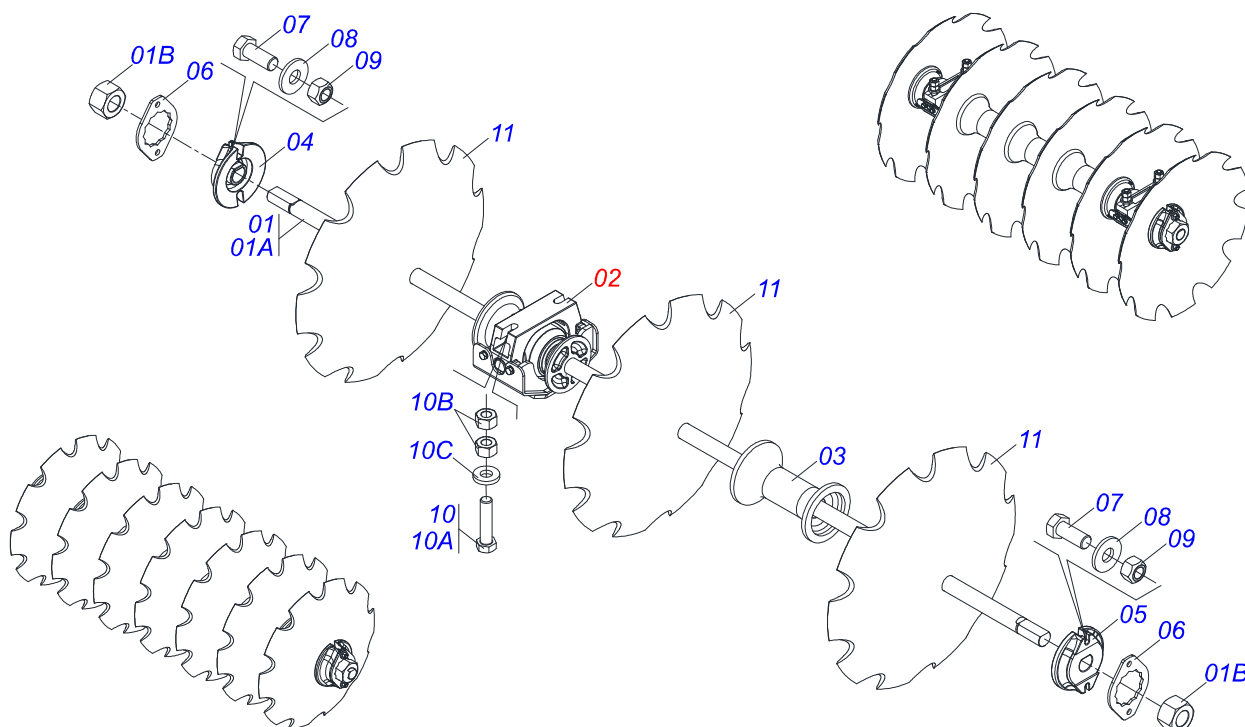
Item	Code	Description	See page	QT
01	0501110766	HUB CARRYING WHEELS WITH BOLT		01
01A	0502011715	WHEEL HUB		01
01B	0503012307	5/8" X 2" BOLT		06
01C	0503010064	5/8 UNF CONIC NUT		06
02	0541014720	CR 7076205/1/1 AXLE		01
03	0503010006	32210 ROLLER BEARING		01
04	0503010005	32212 ROLLER BEARING		01
05	0501010086	FLAT WASHER		01
06	0503010067	3/16" X 2.1/2" SPLIT PIN		01
07	0502011647	COVER		01
08	0503010691	1/4" GREASE FITTING		01
09	0503010009	RETAINER 00573-B		01
10	0503012723	502115 RENO RING		01
11	0503010298	1/4" X 1/2" BOLT		01
12	0503012457	UNF 1.1/4" CASTLE NUT		01



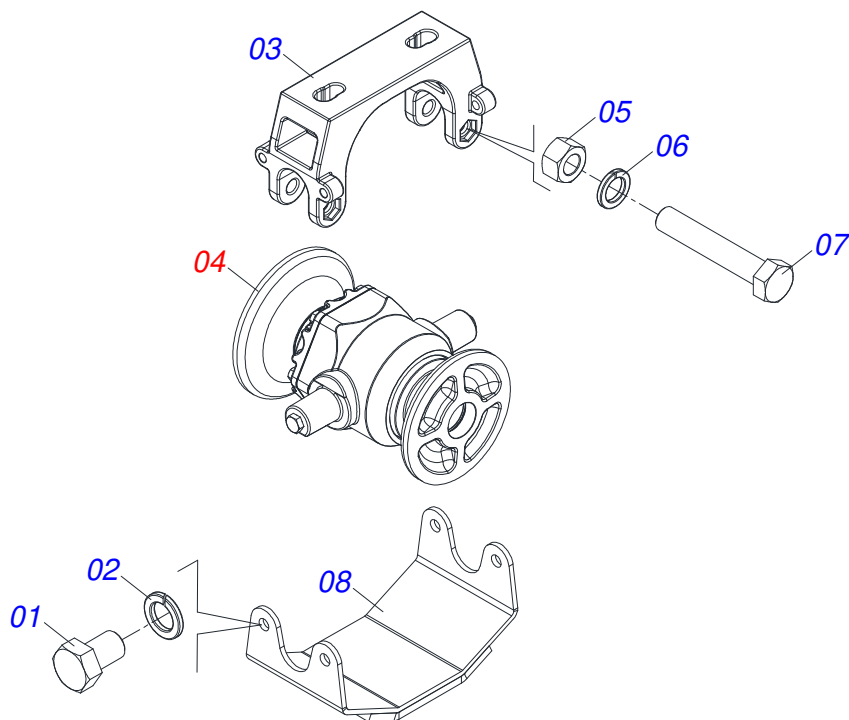
Item	Code	Description	See page	QT
01	0503062227	DRAWBAR JACK		01



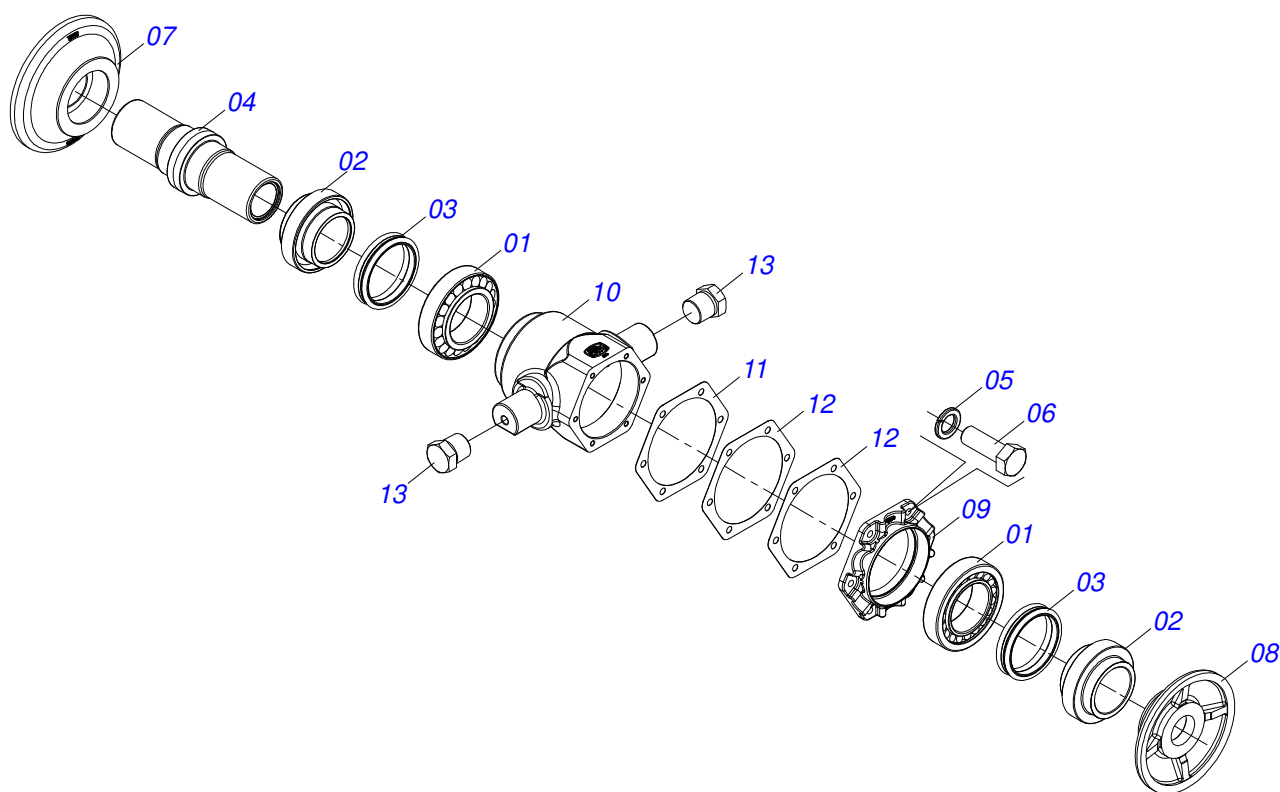
Item	Code	Description	See page	QT
01	0503011627	MALE QUICK COUPLER AGR 1/2 NPT		01
02	0503011882	MALE QUICK COUPLER CAP		01



Item	Code	Description	See page	QT
01	0511053649	2-1/8 X 2045 AXLE WITH NUT		04
01A	0571014259	2-1/8 X 2495 AXLE		01
01B	0502040063	2-1/8" X 54 99 NUT		02
02	0531041578	AGRICULTURAL BEARING DM OL 360 X 2.1/8	8	08
03	0502013026	SEPARATOR		12
04	1902010595	INTERNAL AXLE LOCK 2.1/8		04
05	1902010594	EXTERNAL AXLE LOCK 2.1/8		04
06	0541010368	NUT LOCK		08
07	0503010232	5/8" X 1.3/4" BOLT		16
08	0501012140	FLAT WASHER 16,50 X 40 X 4,00 ZN		16
09	0503012412	5/8" UNC SELF LOCKING NUT		16
10	0531041581	1" X 4" BOLT ASSY		16
10A	0503011432	BOLT		01
10B	0501010059	1.5/8 NUT		02
10C	0541010210	FLAT WASHER		01
11	0602046013	DR 34 X 9,00 C120AF04FR2.3/16 12R		24



Item	Code	Description	See page	QT
01	0503010834	1/2 X 1 BOLT		04
02	0503010019	1/2" SPRING WASHER		04
03	0502013011	360 OSCILLATING BEARING SUPPORT (CENTRAL)		01
04	0531052835	AGRICULTURAL BEARING DM OL 360 X 2.1/8 9 SWING		01
05	0503010013	5/8 UNC G.5 ZN HEX NUT		02
06	0503010027	5/8 SPRING WASHER		02
07	0503010480	5/8" X 4.3/4" BOLT		02
08	0501210530	SWING BEARING COVER		01



Item	Code	Description	See page	QT
01	0503010117	32216 ROLLER BEARING		02
02	0502040123	MRO - 330 PORT RETAINER WITH BUSH		02
03	0503030028	JB-257 SEAL		02
04	0502040034	BEARING AXLE		01
05	0503011443	SPRING WASHER 3/8"		06
06	0503010751	C3/8" X 1.1/4" HEX BOLT G.5		06
07	0501211750	EXTERNAL DISC BACKREST 2.1/8		01
08	0501211749	INTERNAL BACKREST DISC 2.1/8		01
09	0502012772	BEARING COVER		01
10	0502013012	2.1/8" BEARING HUB		01
11	0503034044	JOINT		01
12	0503034045	JOINT		02
13	0503010856	OIL PLUG R 3/8 BSPT		02
14	3402301275	TATU OIL		0.6 Lts



MARCHESAN

Technical Publications | Elaboration and Revision

LUIZ CANDIDO

www.marchesan.com.br

