

PCA 3000 / PCA 3000P

PCA 3000/PCA 3000 P - MF
PCA 3000/PCA 3000 P - MF

Code: 0501093888
Series: S-0317
Revision: 00
Revision Date: APRIL/2024

PARTS CATALOGUE



MARCHESAN



PRODUCTS

Code	Working Width	Description
0106112544		PCA 3000 MF 4265/4275/4283/4290 BT CDC JS AR S-0317
0106112547		PCA 3000 MF 4265/4275/4283/4290 BT CDC JS S-0317
0106112549		PCA 3000 MF 4265/4275/4283/4290 BT SC S-0317
0106112545		PCA 3000 P MF 4265/4275/4283/4290 BT CDC JS AR S-0317
0106112546		PCA 3000 P MF 4265/4275/4283/4290 BT CDC JS S-0317
0106112548		PCA 3000 P MF 4265/4275/4283/4290 BT SC S-0317

ATTENTION: IMPORTANT

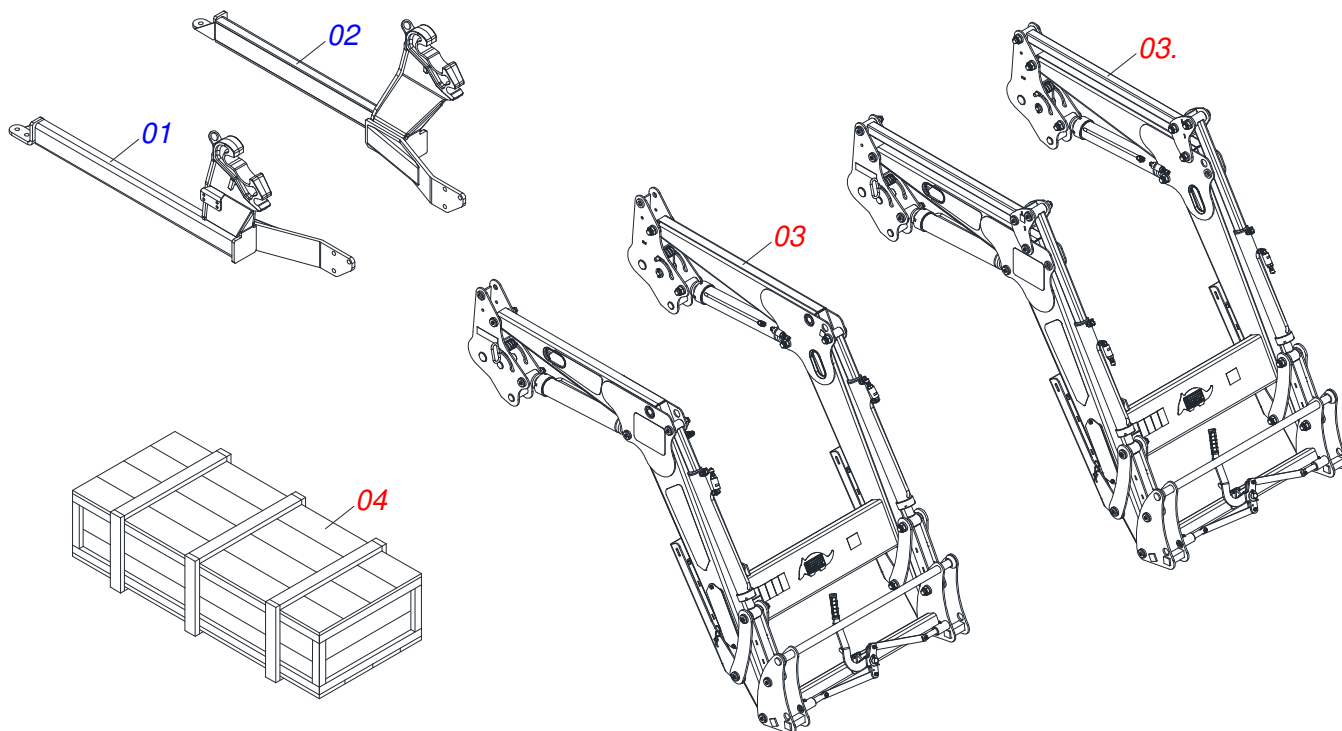
Marchesan S.A. reserves the right to improve and/or modify the technical features of its products, without obligation to do the same with those products already sold and without prior knowledge of the dealer or the customer. The photos are only illustrative.



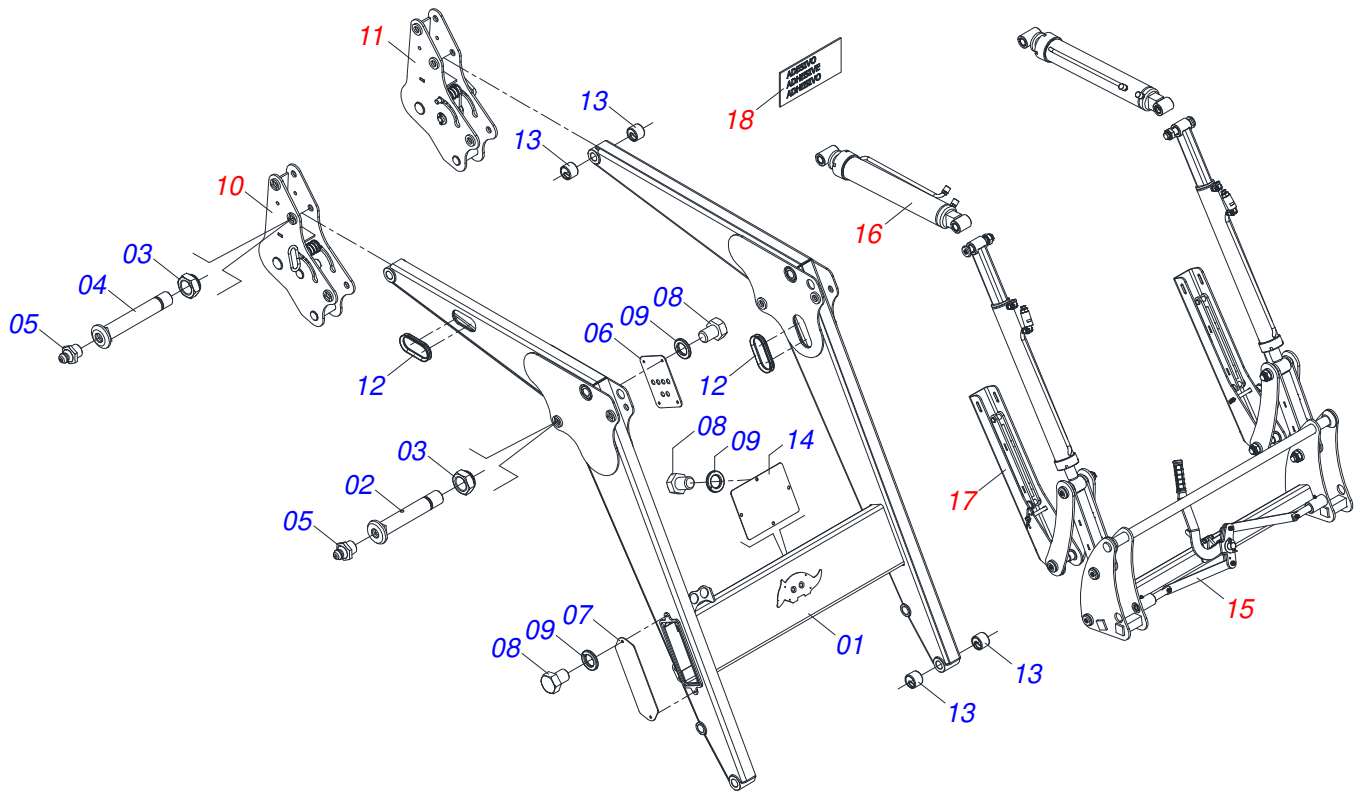
MARCHESAN

INDEX

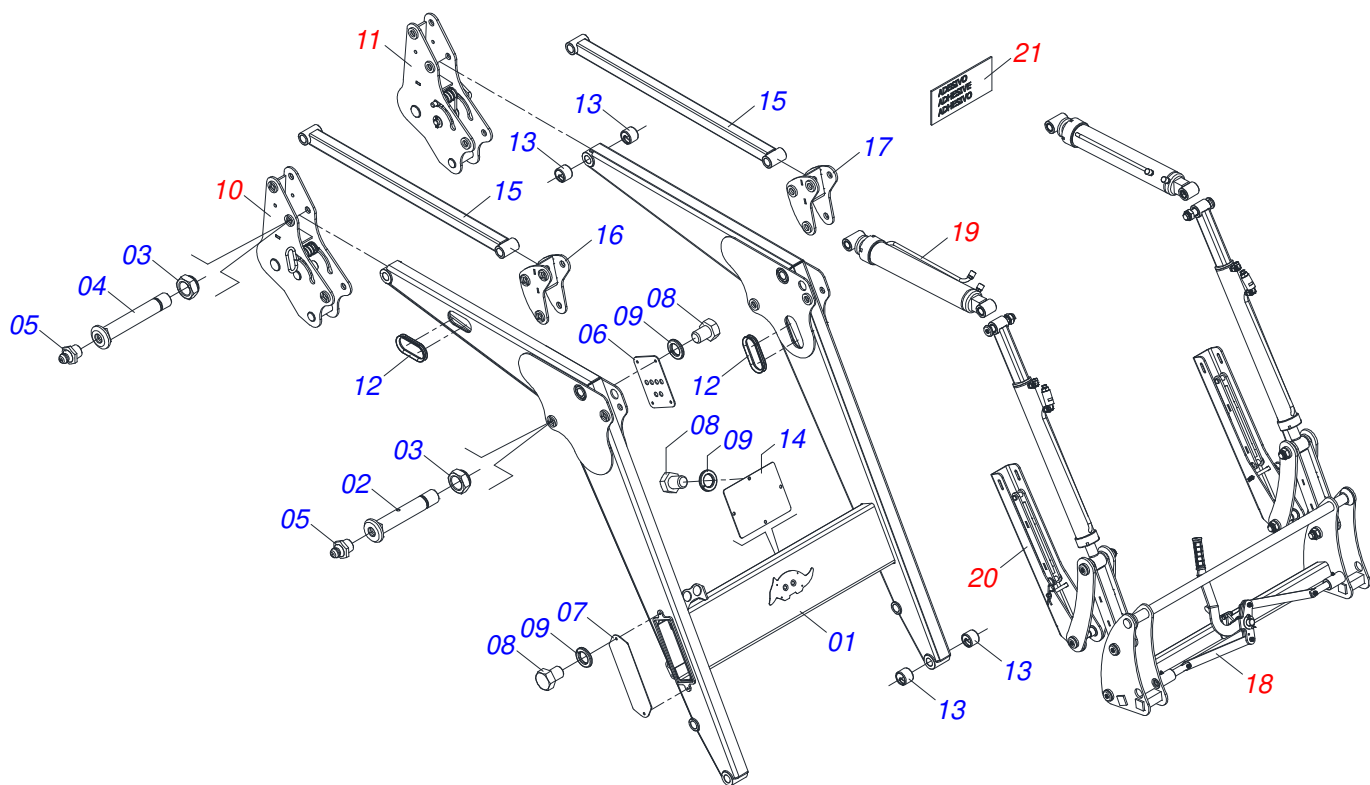
0909097179	PCA 3000 / PCA 3000 P	1
0531045795	MOBILE SUPPORT ASSY - PCA 3000	2
0531045736	MOBILE SUPPORT ASSY - PCA 3000 P	3
0531045734	RIGHT TOWER	4
0531045735	LEFT TOWER	5
0909097166	ARTICULATION ASSEMBLY	6
0909097167	HYDRAULIC ASSEMBLY - PCA 3000	7
0531045435	RIGHT HYDRAULIC CYLINDER	8
0541053739	LEFT HYDRAULIC CYLINDER	9
0541054080	HYDRAULIC CYLINDER	10
0541054093	M18 X 1,5 DKO SAFETY VALVE ASSEMBLY	11
0909097170	HYDRAULIC ASSEMBLY - PCA 3000 P	12
0531045431	HYDRAULIC CYLINDER	13
0909097168	JACK ASSEMBLY	14
0909097169	DECAL SET - PCA 3000	15
0909097171	DECAL SET - PCA 3000 P	16
0531021528	COMPONENTS BOX - BT SC	17
0511034984	PACKAGED PARTS - BT SC	18
0501053834	MALE QUICK COUPLER	19
0531021527	COMPONENTS - BT CDC JS	20
0531044005	JOYSTICK SUPPORT ASSEMBLY	21
0521047927	1/2" CONTROL	22
0511034983	PACKAGED PARTS - BT CDC JS	23
0501053835	FEMALE QUICK COUPLER	24
0531021526	COMPONENTS BOX - BT CDC JS AR	25
0531041662	COMMAND 1/2 X CABLE 1,5M BTCDC AR	26
0511034982	PACKAGED PARTS - BT CDC JS AR	27



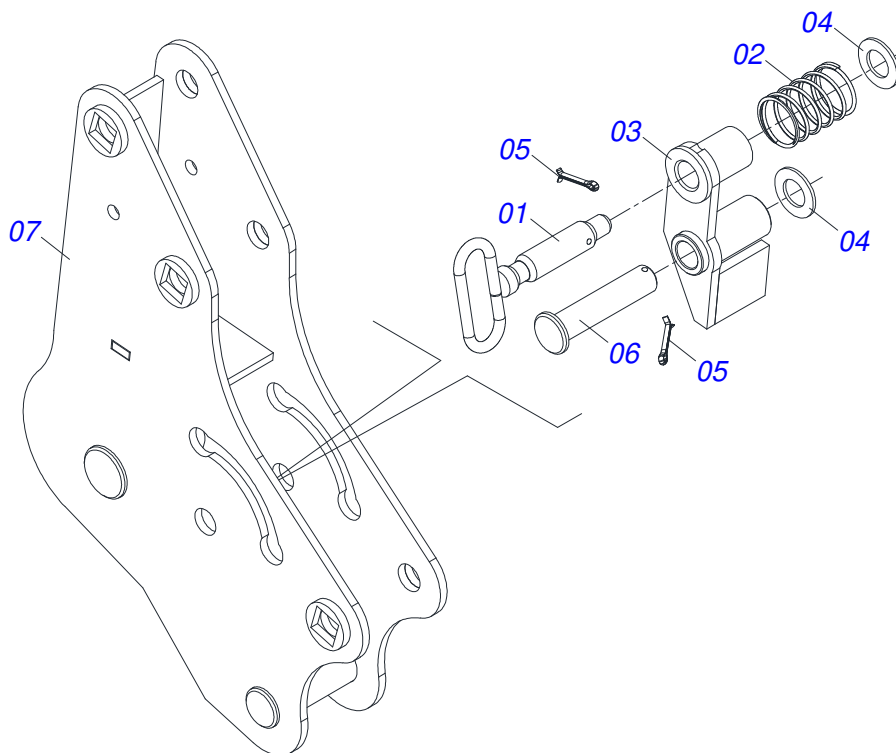
Item	Code	Description	See page	PCA	PCA P
01	0531067157	RIGHT FRAME		01	01
02	0531067158	LEFT FRAME		01	01
03	0531045795	MOBILE SUPPORT ASSY - PCA 3000	2	01	00
03.	0531045736	MOBILE SUPPORT ASSY - PCA 3000 P	3	00	01
04	0531021528	COMPONENTS BOX - BT SC	17	01	01
04.	0531021527	COMPONENTS - BT CDC JS	20	01	01
04..	0531021526	COMPONENTS BOX - BT CDC JS AR	25	01	01



Item	Code	Description	See page	QT
01	0531067132	MOBILE SUPPORT		01
02	0501315825	0.98" X 5.07" JUNCTION SHAFT		04
03	0503014182	SELF-ADJUSTING NUT		08
04	0501315824	0.98" X 5.82" JUNCTION SHAFT		04
05	0503010002	1800 GREASE FITTING		08
06	0501410927	FIXATION BASE		01
07	0501410640	SIDE LID		02
08	0503010206	3/8 X 1/2 BOLT		12
09	0503010025	3/8 SPRING WASHER		12
10	0531045734	RIGHT TOWER	4	01
11	0531045735	LEFT TOWER	5	01
12	0503034364	HOSE PROTECTOR		02
13	0511019921	1.3" X 0.1" X 1" SLEEVE		12
14	0501411895	SUPPORT LID		01
15		ARTICULATION ASSEMBLY	6	
16		HYDRAULIC ASSEMBLY - PCA 3000	7	
17		JACK ASSEMBLY	14	
18		DECAL SET - PCA 3000	15	

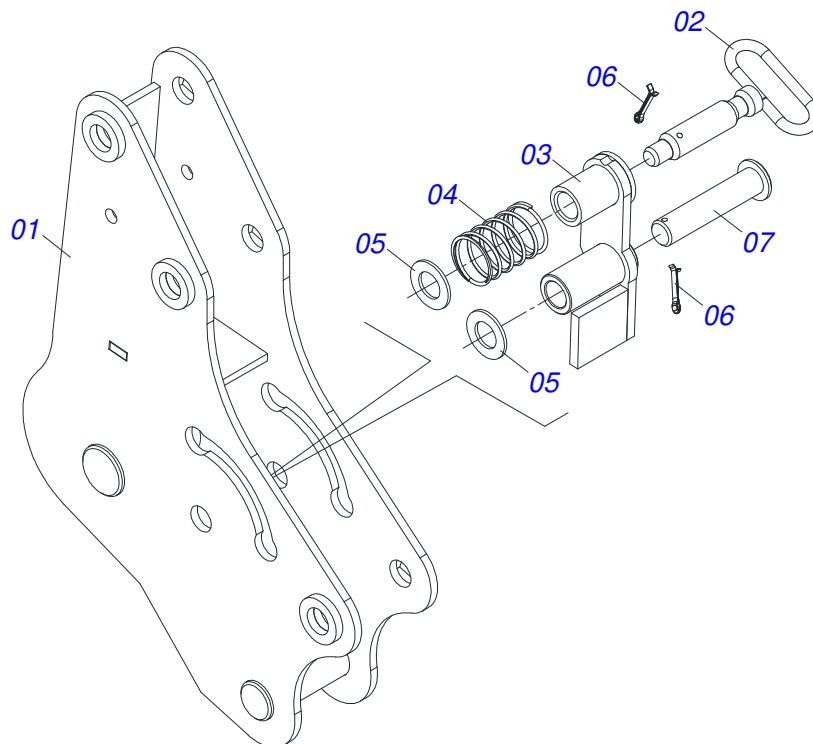


Item	Code	Description	See page	QT
01	0531067132	MOBILE SUPPORT		01
02	0501315825	0.98" X 5.07" JUNCTION SHAFT		02
03	0503014182	SELF-ADJUSTING NUT		14
04	0501315824	0.98" X 5.82" JUNCTION SHAFT		12
05	0503010002	1800 GREASE FITTING		14
06	0501410927	FIXATION BASE		01
07	0501410640	SIDE LID		02
08	0503010206	3/8 X 1/2 BOLT		12
09	0503010025	3/8 SPRING WASHER		12
10	0531045734	RIGHT TOWER	4	01
11	0531045735	LEFT TOWER	5	01
12	0503034364	HOSE PROTECTOR		02
13	0511019921	1.3" X 0.1" X 1" SLEEVE		24
14	0501411895	SUPPORT LID		01
15	0531068391	PARALELOGRAM ARM		02
16	0531068293	RIGHT UPPER ARTICULATOR		01
17	0531067154	LEFT UPPER ARTICULATOR		01
18		ARTICULATION ASSEMBLY	6	
19		HYDRAULIC ASSEMBLY - PCA 3000 P	12	
20		JACK ASSEMBLY	14	
21		DECAL SET - PCA 3000 P	16	

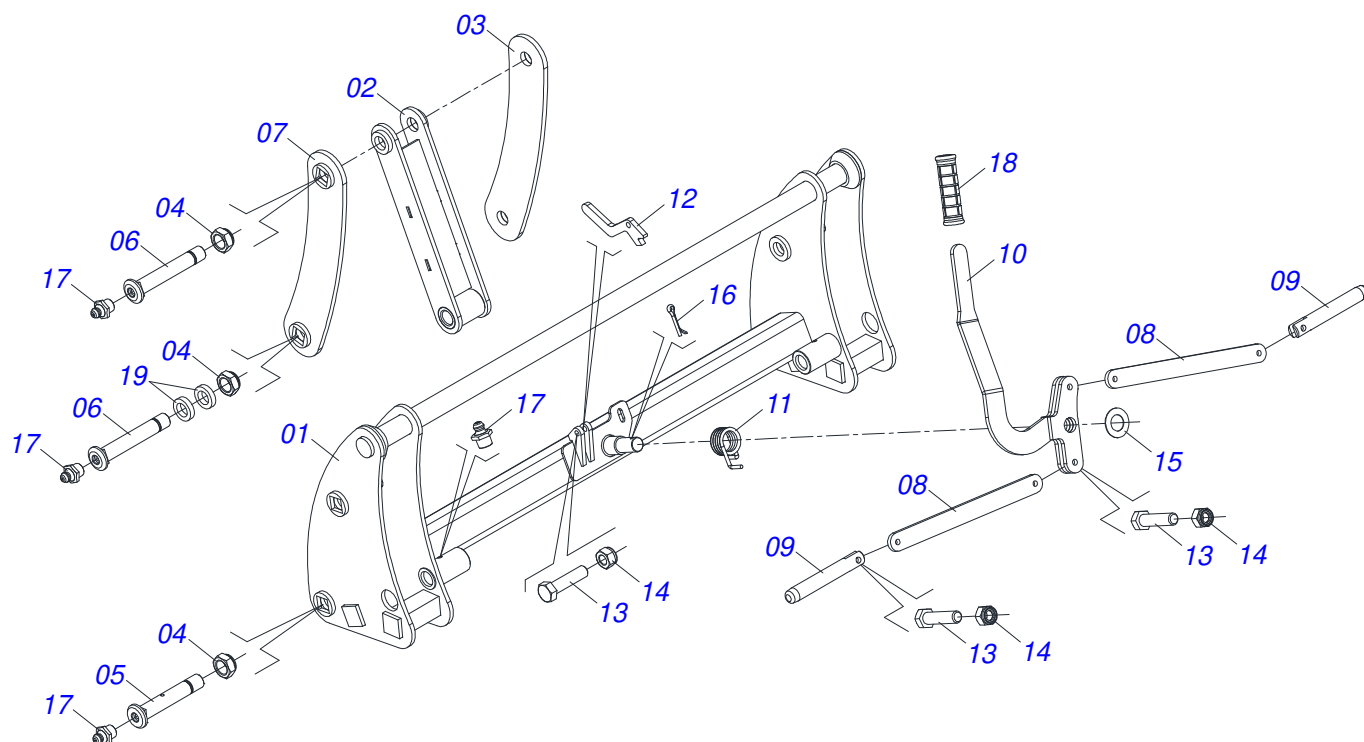


Item	Code	Description	See page	QT
01	0531068295	LOCK PIN		01
02	0503030173	COMPRESSION SPRING		01
03	0531068305	RIGHT LOCK		01
04	0501011445	FLAT WASHER		02
05	0503010131	3/16" X 1.1/2" SPLIT PIN		02
06	0501410646	FASTENING PIN		01
07	0531068290	RIGHT TOWER		01

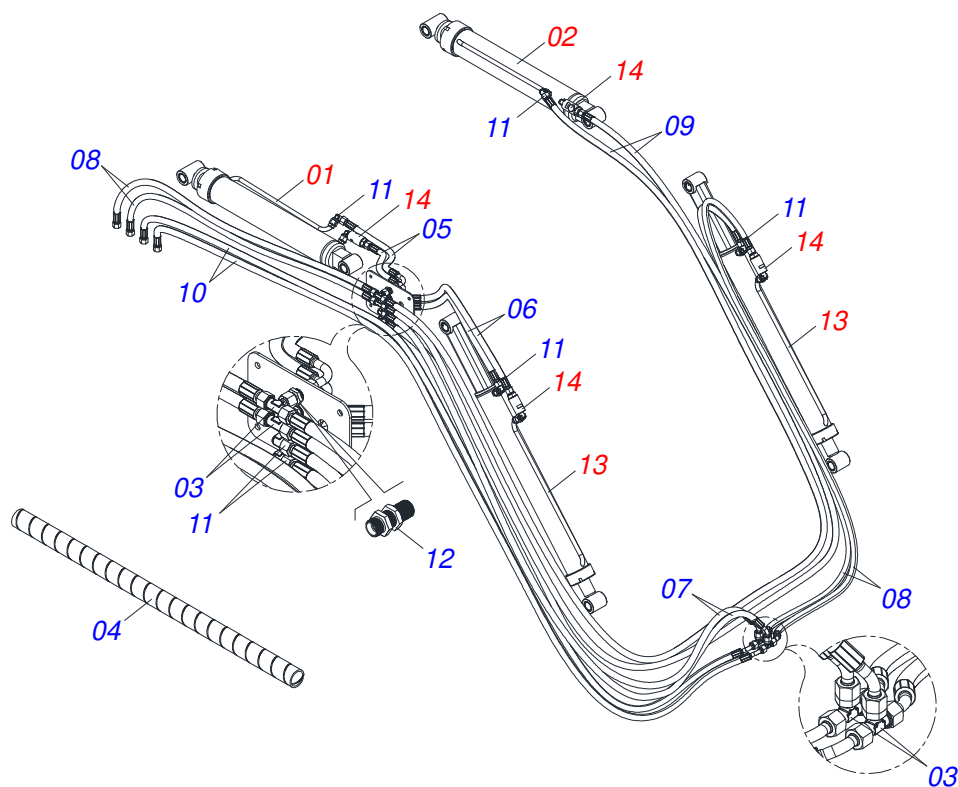
LEFT TOWER



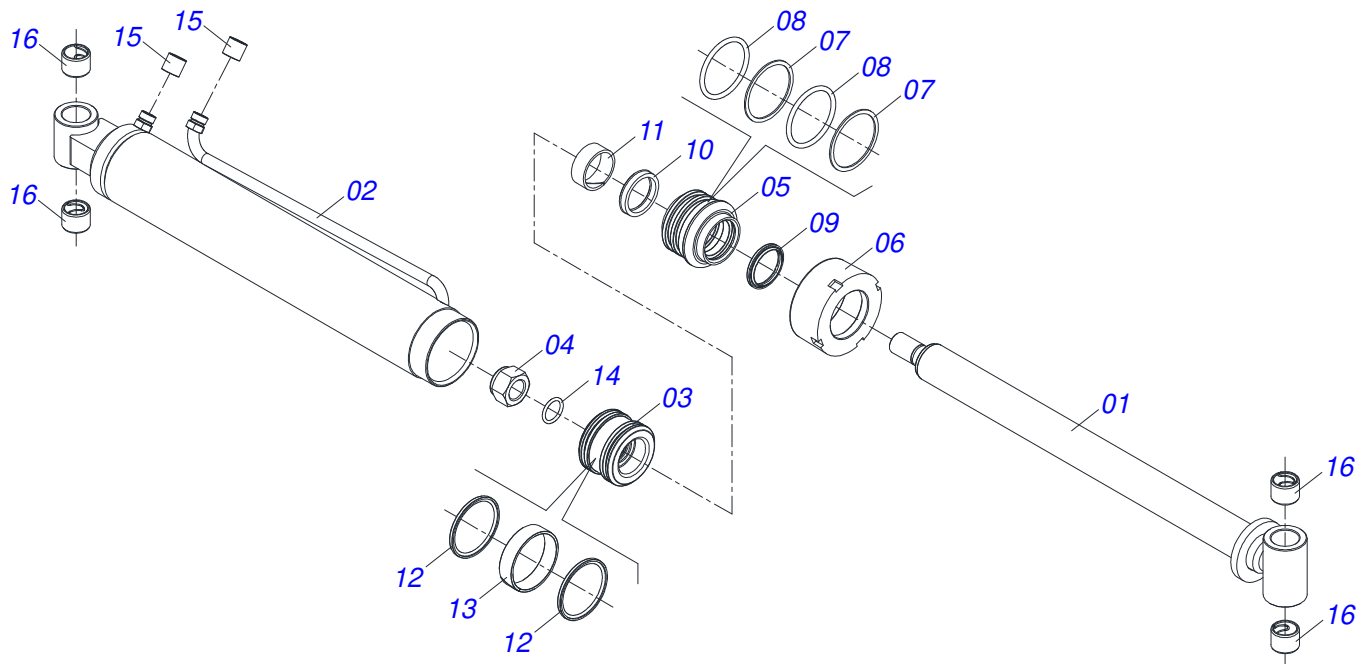
Item	Code	Description	See page	QT
01	0531067133	LEFT TOWER		01
02	0531068295	LOCK PIN		01
03	0531068294	LEFT LOCK		01
04	0503030173	COMPRESSION SPRING		01
05	0501011445	FLAT WASHER		02
06	0503010131	3/16" X 1.1/2" SPLIT PIN		02
07	0501410646	FASTENING PIN		01



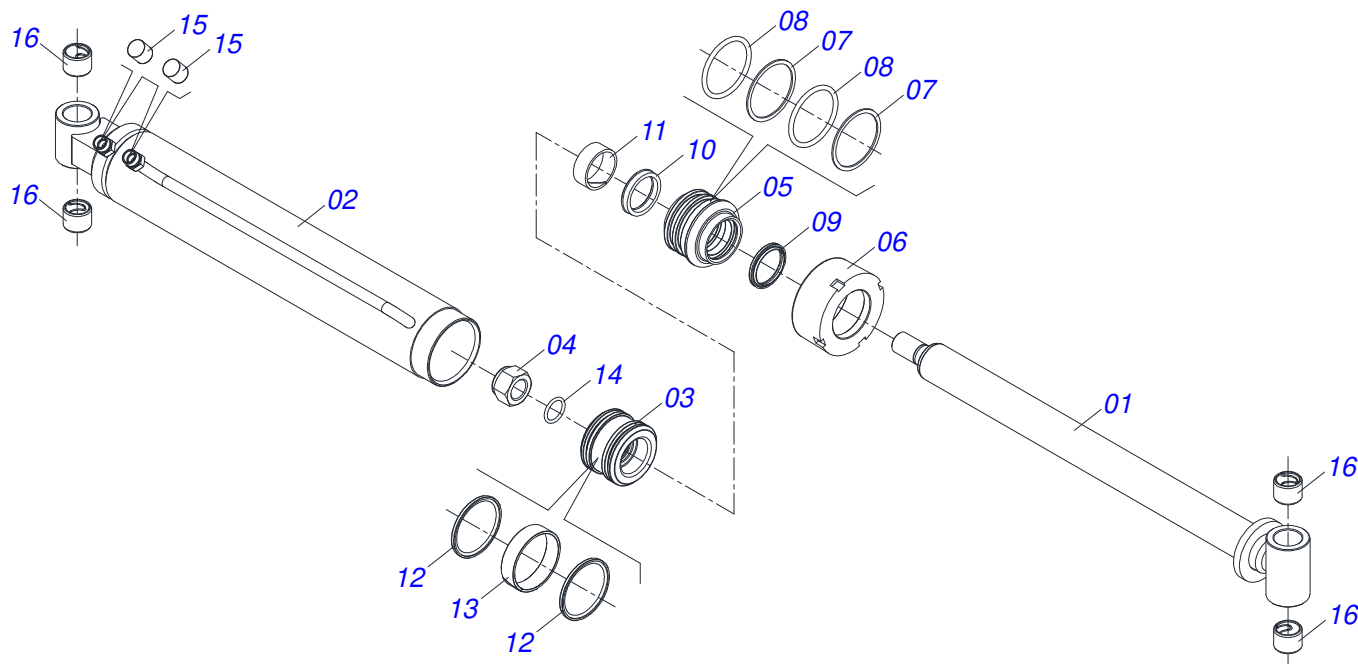
Item	Code	Description	See page	QT
01	0531067134	ARTICULATOR		01
02	0531067142	INTERNAL LOWER SUPPORT		02
03	0531067150	INTERNAL SUPPORT		02
04	0503014182	SELF-ADJUSTING NUT		08
05	0501315824	0.98" X 5.82" JUNCTION SHAFT		04
06	0501410933	0.98" X 6.22" JUNCTION SHAFT		04
07	0531067148	EXTERNAL SUPPORT		02
08	0501315709	DISARM SPRING FIXATION ARM		02
09	0501315707	LOCK PIN		02
10	0531068375	LEVER		01
11	0503034192	TORSION SPRING		01
12	0501410928	LOCK PENDULUM		01
13	0503010849	3/8" X 1-1/2" BOLT		05
14	0503013357	3/8 SELF-ADJUSTING NUT		05
15	0561011883	FLAT WASHER		01
16	0503010523	1/4" X 2" SPLIT PIN		01
17	0503010002	1800 GREASE FITTING		10
18	0503037382	25 X 120 PVC HANDLE		01
19	0551015396	FLAT WASHER		04



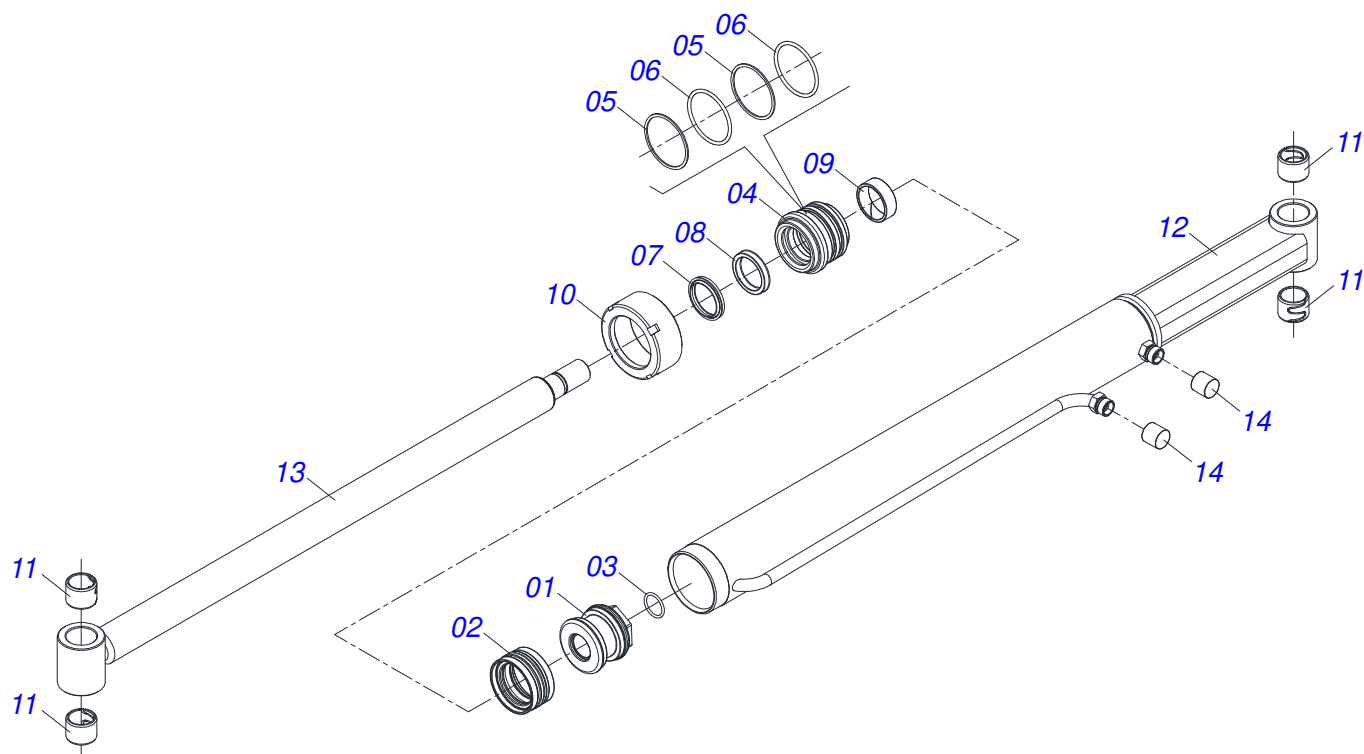
Item	Code	Description	See page	QT
01	0531045435	RIGHT HYDRAULIC CYLINDER	8	01
02	0541053739	LEFT HYDRAULIC CYLINDER	9	01
03	0513012064	TEE TERMINAL MF X FG X MF TB12L		04
04	0571014419	PLASTIC PROTECTION SPRING HOSE 3/4 X 700MM		04
05	0501083325	3/8" X 19.68" TR-TC ESP HOSE		02
06	0501083326	3/8" X 35.43" TR-TC ESP HOSE		04
07	0501083328	3/8" X 78.74" TR-TC ESP HOSE		02
08	0501083308	3/8" X 81.10" TR-TR ESP HOSE		04
09	0501083343	3/8" X 128.34" TR-TC ESP HOSE		02
10	0501083327	3/8" X 136.22" TR-TR ESP HOSE		02
11	0513010928	KNEE TERMINAL 90G		06
12	0503019012	PANEL UNION DKO DYNAR XAEUC 12L		04
13	0541054080	HYDRAULIC CYLINDER	10	02
14	0541054093	M18 X 1,5 DKO SAFETY VALVE ASSEMBLY	11	04



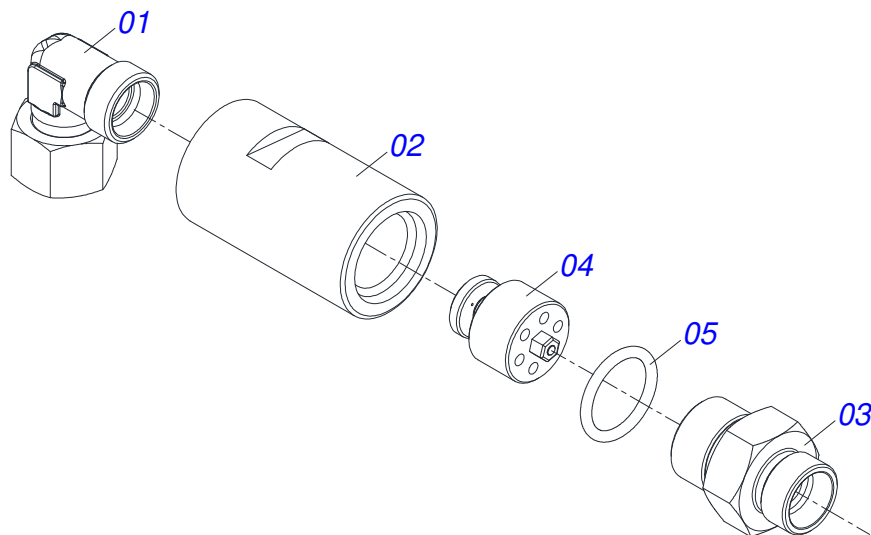
Item	Code	Description	See page	QT
01	0531067159	PISTON ROD		01
02	0531067160	RIGHT CYLINDER BARREL		01
03	0581010304	PISTON		01
04	0503010063	1" SELF-ALIGNING NUT		01
05	0581010301	RING SUPPORT		01
06	0502011899	MOBILE LID		01
07	0503011059	8-334 BACK-UP RING		02
08	0503010343	2-334 N 3006-9B O'RING		02
09	0503010761	D-1750 SCRAPER RING		01
10	0503017937	GASKET		01
11	0503017938	RING GUIDE		01
12	0503018138	RING BS		02
13	0503018140	RING GUIDE		01
14	0503010042	2-214 N 3006-9B O'RING		01
15	0503030385	CYLINDER PLUG N-002		02
16	0511019921	1.3" X 0.1" X 1" SLEEVE		04



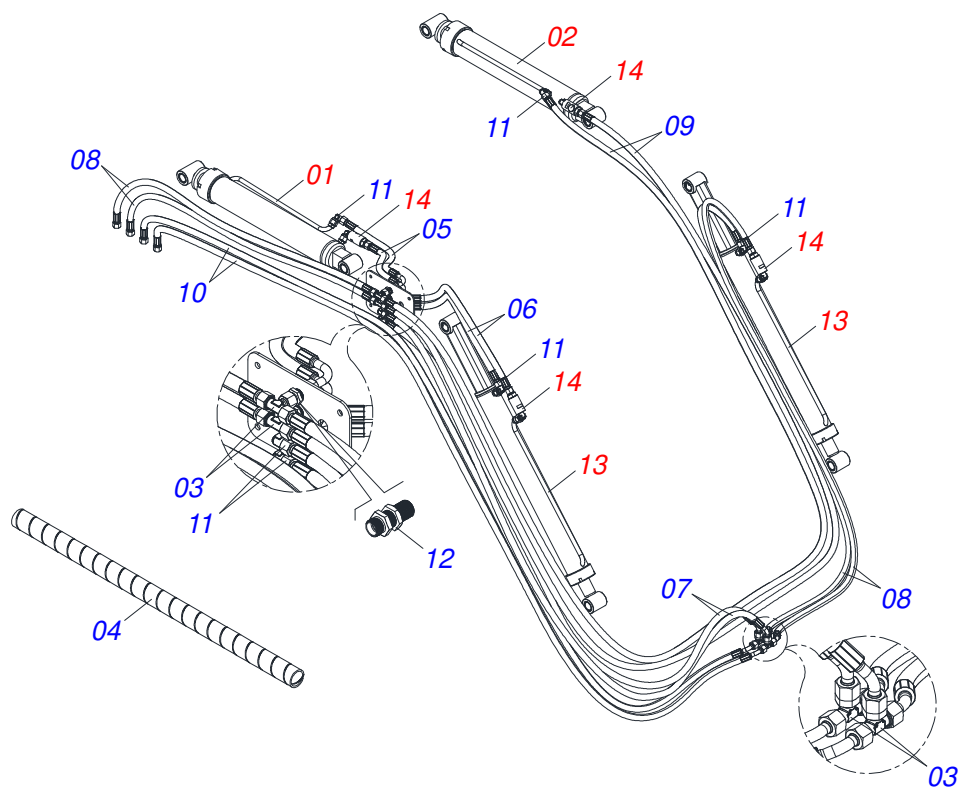
Item	Code	Description	See page	QT
01	0531067159	PISTON ROD		01
02	0531068298	CYLINDER BARREL		01
03	0581010304	PISTON		01
04	0503010063	1" SELF-ALIGNING NUT		01
05	0581010301	RING SUPPORT		01
06	0502011899	MOBILE LID		01
07	0503011059	8-334 BACK-UP RING		02
08	0503010343	2-334 N 3006-9B O'RING		02
09	0503010761	D-1750 SCRAPER RING		01
10	0503017937	GASKET		01
11	0503017938	RING GUIDE		01
12	0503018138	RING BS		02
13	0503018140	RING GUIDE		01
14	0503010042	2-214 N 3006-9B O'RING		01
15	0503030385	CYLINDER PLUG N-002		02
16	0511019921	1.3" X 0.1" X 1" SLEEVE		04



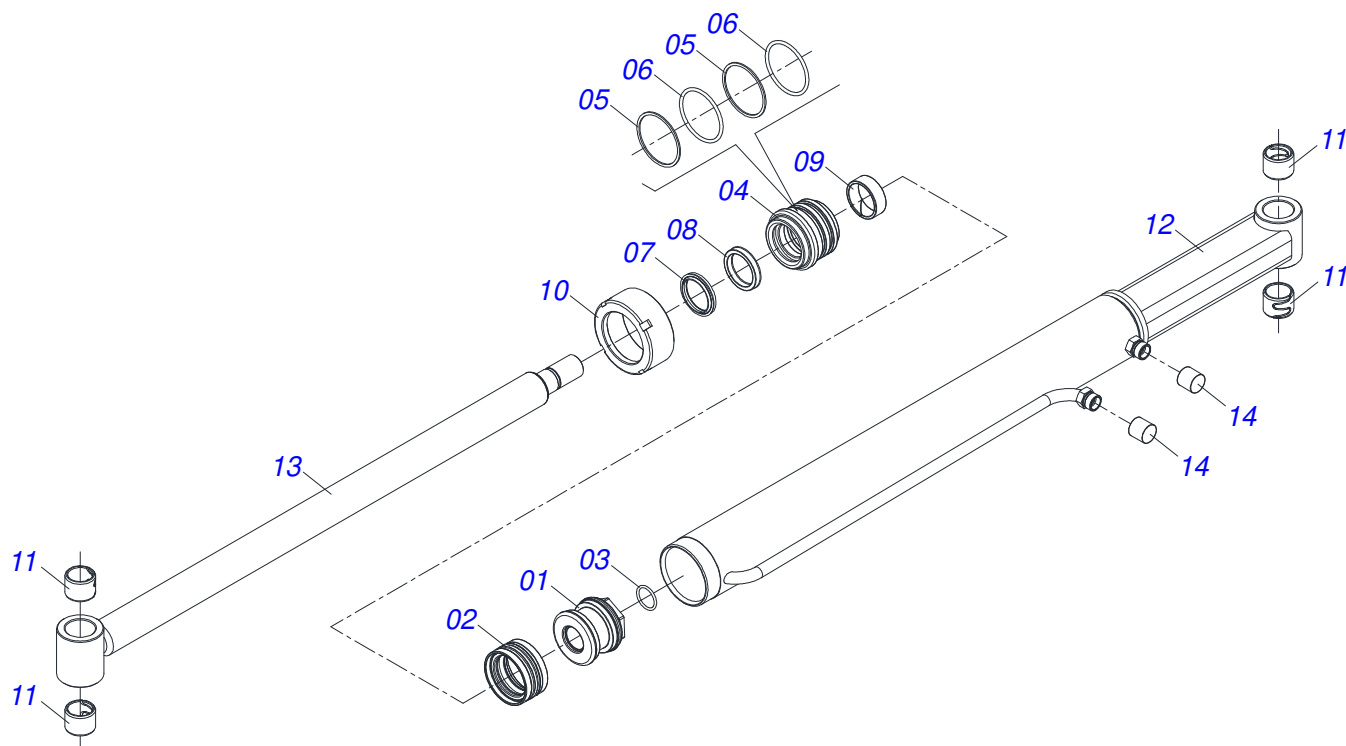
Item	Code	Description	See page	QT
01	0502012837	PISTON		01
02	0503018005	RING		01
03	0503011109	O'RING 2-119 N 3006 9B		01
04	0581010668	RING SUPPORT		01
05	0503018163	BACK-UP RING		02
06	0503018162	O'RING		02
07	0503010163	D-1500 SCRAPER RING		01
08	0503018003	GASKET		01
09	0503018004	RING		01
10	0502010471	63,50 MOBILE CAP		01
11	0511019921	1.3" X 0.1" X 1" SLEEVE		04
12	0531068600	CYLINDER BARREL		01
13	0531068603	PISTON ROD		01
14	0503030385	CYLINDER PLUG N-002		02



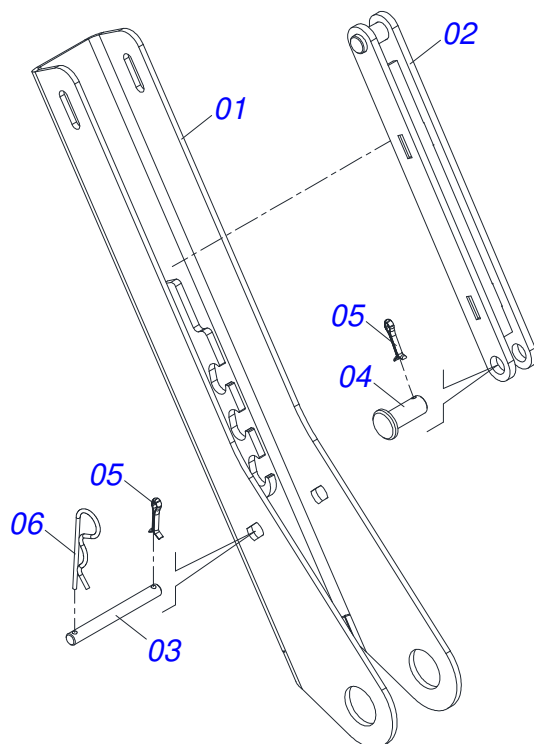
Item	Code	Description	See page	QT
01	0513010928	KNEE TERMINAL 90G		01
02	0501411935	1/2 BSP X 3/4 UNF JIC X 64 ADAPTER		01
03	0501411936	1/2 BSP X M 18 X 1,5 DKO ADAPTER NIPL		01
04	0503016854	SAFETY VALVE		01
05	0503010045	O'RING		01



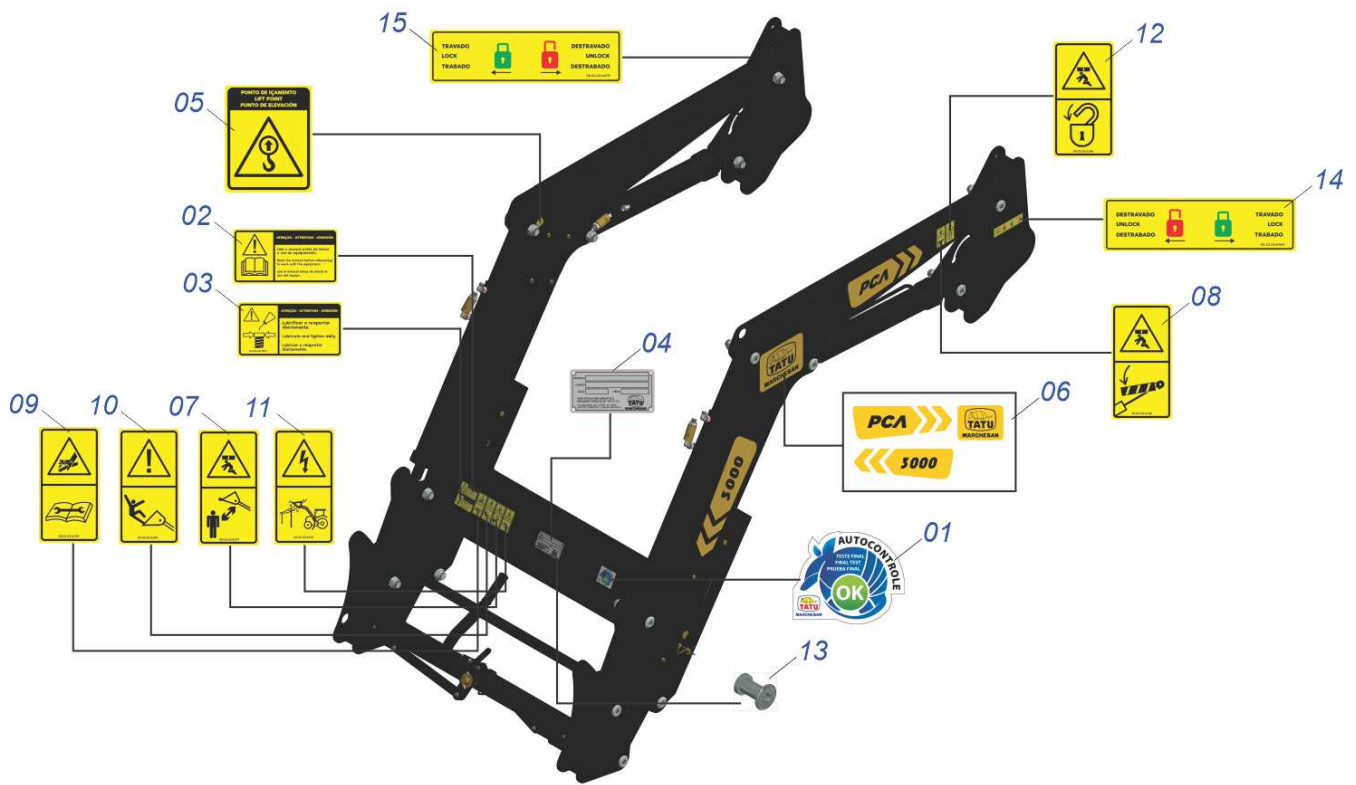
Item	Code	Description	See page	QT
01	0531045435	RIGHT HYDRAULIC CYLINDER	8	01
02	0541053739	LEFT HYDRAULIC CYLINDER	9	01
03	0513012064	TEE TERMINAL MF X FG X MF TB12L		04
04	0571014419	PLASTIC PROTECTION SPRING HOSE 3/4 X 700MM		04
05	0501083325	3/8" X 19.68" TR-TC ESP HOSE		02
06	0501083326	3/8" X 35.43" TR-TC ESP HOSE		04
07	0501083328	3/8" X 78.74" TR-TC ESP HOSE		02
08	0501083308	3/8" X 81.10" TR-TR ESP HOSE		04
09	0501083343	3/8" X 128.34" TR-TC ESP HOSE		02
10	0501083327	3/8" X 136.22" TR-TR ESP HOSE		02
11	0513010928	KNEE TERMINAL 90G		06
12	0503019012	PANEL UNION DKO DYNAR XAEUC 12L		04
13	0531045431	HYDRAULIC CYLINDER	13	02
14	0541054093	M18 X 1,5 DKO SAFETY VALVE ASSEMBLY	11	04



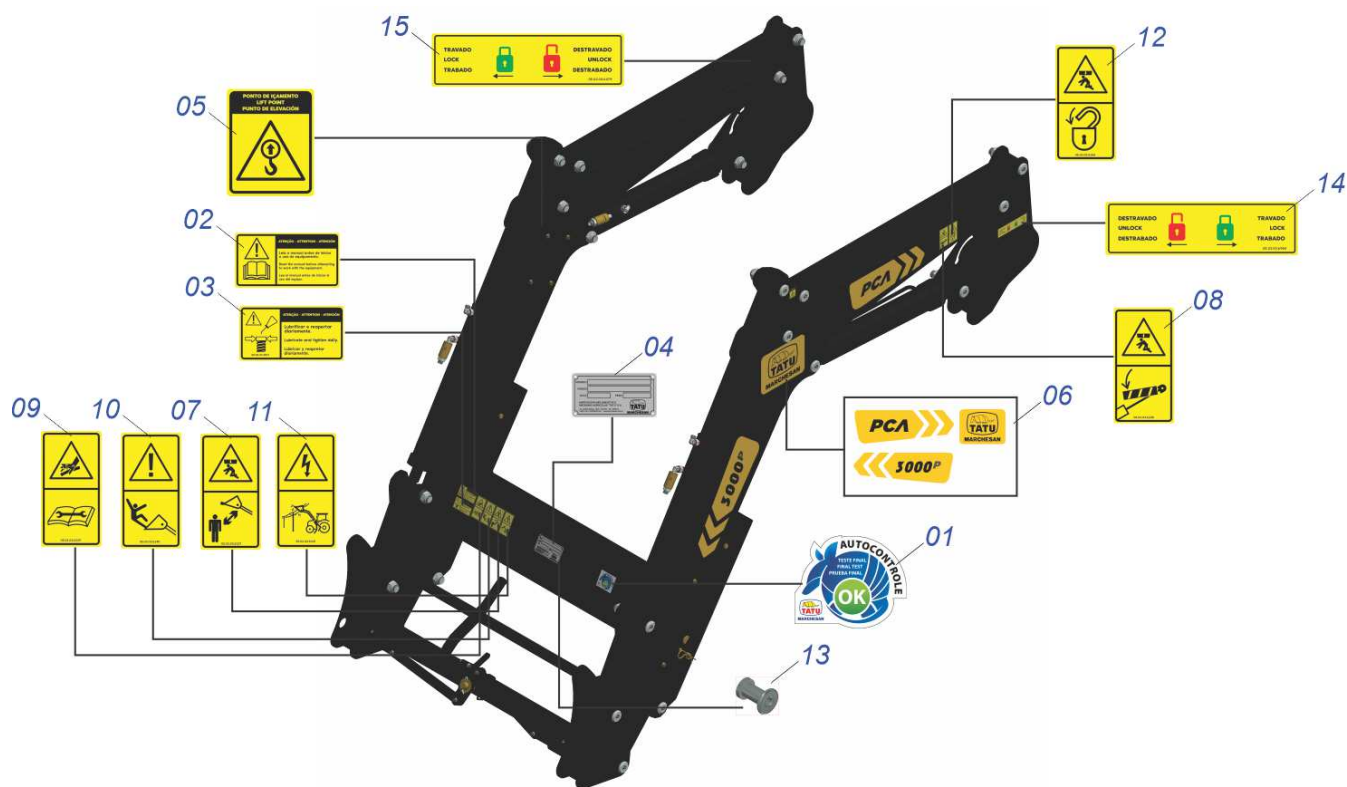
Item	Code	Description	See page	QT
01	0502012837	PISTON		01
02	0503018005	RING		01
03	0503011109	O'RING 2-119 N 3006 9B		01
04	0581010668	RING SUPPORT		01
05	0503018163	BACK-UP RING		02
06	0503018162	O'RING		02
07	0503010163	D-1500 SCRAPER RING		01
08	0503018003	GASKET		01
09	0503018004	RING		01
10	0502010471	63,50 MOBILE CAP		01
11	0511019921	1.3" X 0.1" X 1" SLEEVE		04
12	0531067155	CYLINDER BARREL		01
13	0531067156	PISTON ROD		01
14	0503030385	CYLINDER PLUG N-002		02



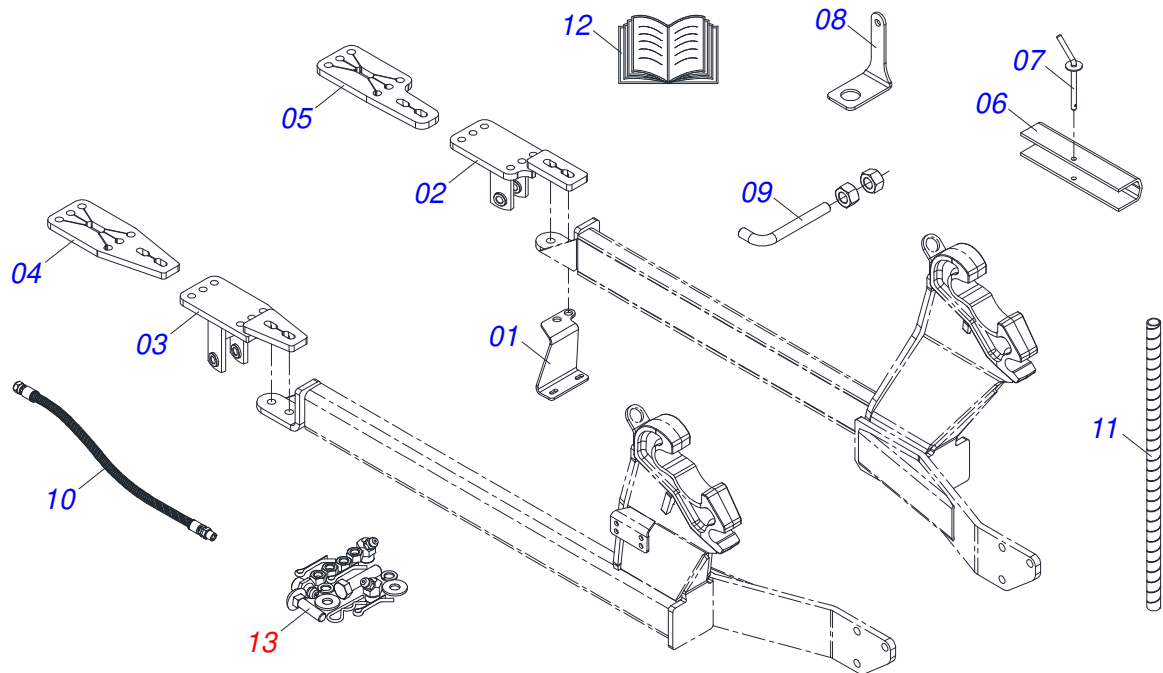
Item	Code	Description	See page	QT
01	0531068376	JACK		02
02	0531068392	JACK ARM		02
03	0521012823	COUPLING SHAFT		02
04	0501410926	JACK FIXING PIN		02
05	0503010071	3/16" X 1" SPLIT PIN		04
06	0503030012	HITCH PIN CLIP		02



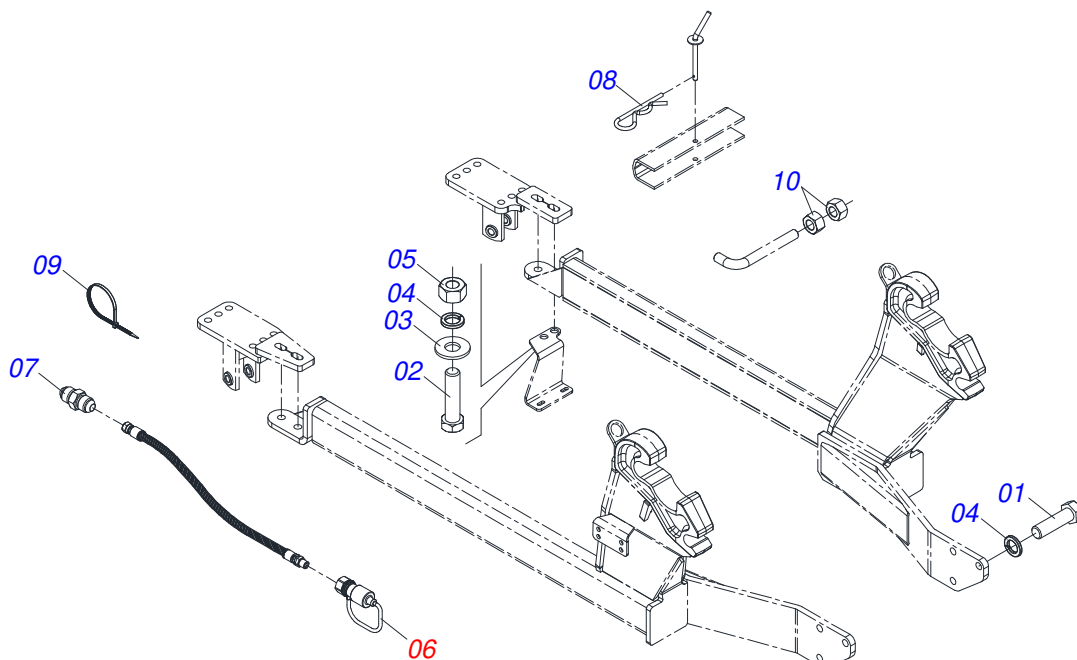
Item	Code	Description	See page	QT
01	0503031087	AUTO CONTROL APPROVED DECAL		01
02	0503031428	ATTENTION READ MANUAL DECAL		01
03	0503031827	DAILY LUBRICATION AND RETIGHTENING DECAL		01
04	0503034003	61 X 118 SERIAL NUMBER TAG		01
05	0503034078	LIFTING POINTS DECAL		02
06	0503064611	PCA 3000 DECAL SET		01
07	0503036237	SAFETY REMOVE SHELL IN MOTION DECAL		01
08	0503036238	SAFETY LOCKING HYDRAULIC CYLINDERS DECAL		01
09	0503036239	ATTENTION FLUIDS WITH PRESSURE DECAL		01
10	0503036240	SAFETY DO NOT CLIMB ON THE RAISED SHELL DECAL		01
11	0503036241	SAFETY CAUTION SHOCK HAZARD DECAL		01
12	0503036246	ATTENTION LOCK IN PROCEDURES AND SERVICES DECAL		01
13	0503010001	RIVET 3,2 X 5,5		04
14	0503036984	LEFT SIDE LOCK/UNLOCK DECAL		01
15	0503036479	RIGHT SIDE LOCK/UNLOCK DECAL		01



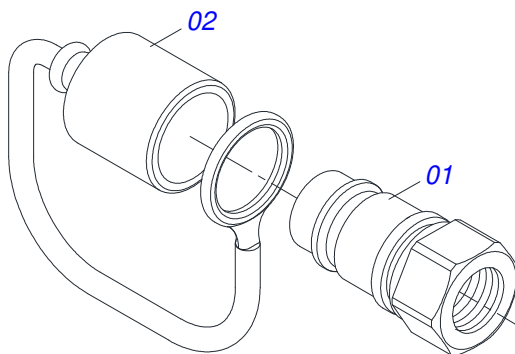
Item	Code	Description	See page	QT
01	0503031087	AUTO CONTROL APPROVED DECAL		01
02	0503031428	ATTENTION READ MANUAL DECAL		01
03	0503031827	DAILY LUBRICATION AND RETIGHTENING DECAL		01
04	0503034003	61 X 118 SERIAL NUMBER TAG		01
05	0503034078	LIFTING POINTS DECAL		02
06	0503064612	PCA 3000 P DECAL SET		01
07	0503036237	SAFETY REMOVE SHELL IN MOTION DECAL		01
08	0503036238	SAFETY LOCKING HYDRAULIC CYLINDERS DECAL		01
09	0503036239	ATTENTION FLUIDS WITH PRESSURE DECAL		01
10	0503036240	SAFETY DO NOT CLIMB ON THE RAISED SHELL DECAL		01
11	0503036241	SAFETY CAUTION SHOCK HAZARD DECAL		01
12	0503036246	ATTENTION LOCK IN PROCEDURES AND SERVICES DECAL		01
13	0503010001	RIVET 3,2 X 5,5		04
14	0503036984	LEFT SIDE LOCK/UNLOCK DECAL		01
15	0503036479	RIGHT SIDE LOCK/UNLOCK DECAL		01



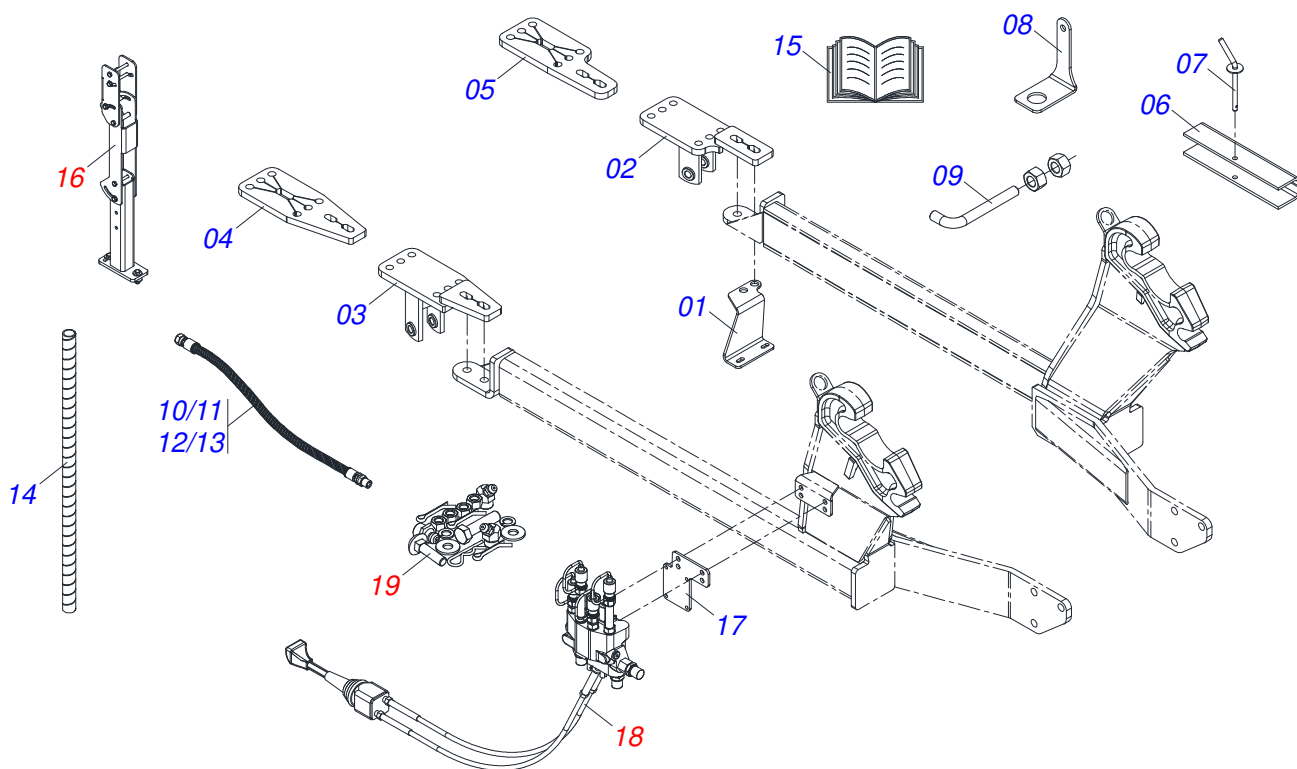
Item	Code	Description	See page	QT
01	0501218205	FUEL TANK SUPPORT		01
02	0531065205	LEFT DIFFERENTIAL SUPPORT		01
03	0531065346	RIGHT FRAME SUPPORT		01
04	0501218206	SUPPORT FRAME		01
05	0501218207	DIFFERENTIAL SUPPORT		01
06	0501217728	LOCK FOR TRANSPORTATION		02
07	0501068994	8,30 X 78 LOCK PIN		02
08	0501217853	HEADLIGHT SUPPORT		02
09	0581010285	CONTROL LOCKING HOOK		01
10	0501080384	3/8" X 118" TR-TM HOSE		04
11	0581010090	SPRING PROTECTION PLASTIC HOSE		02
12	0511033668	BAG WITH INSTRUCTION MANUAL		01
13	0511034984	PACKAGED PARTS - BT SC	18	01



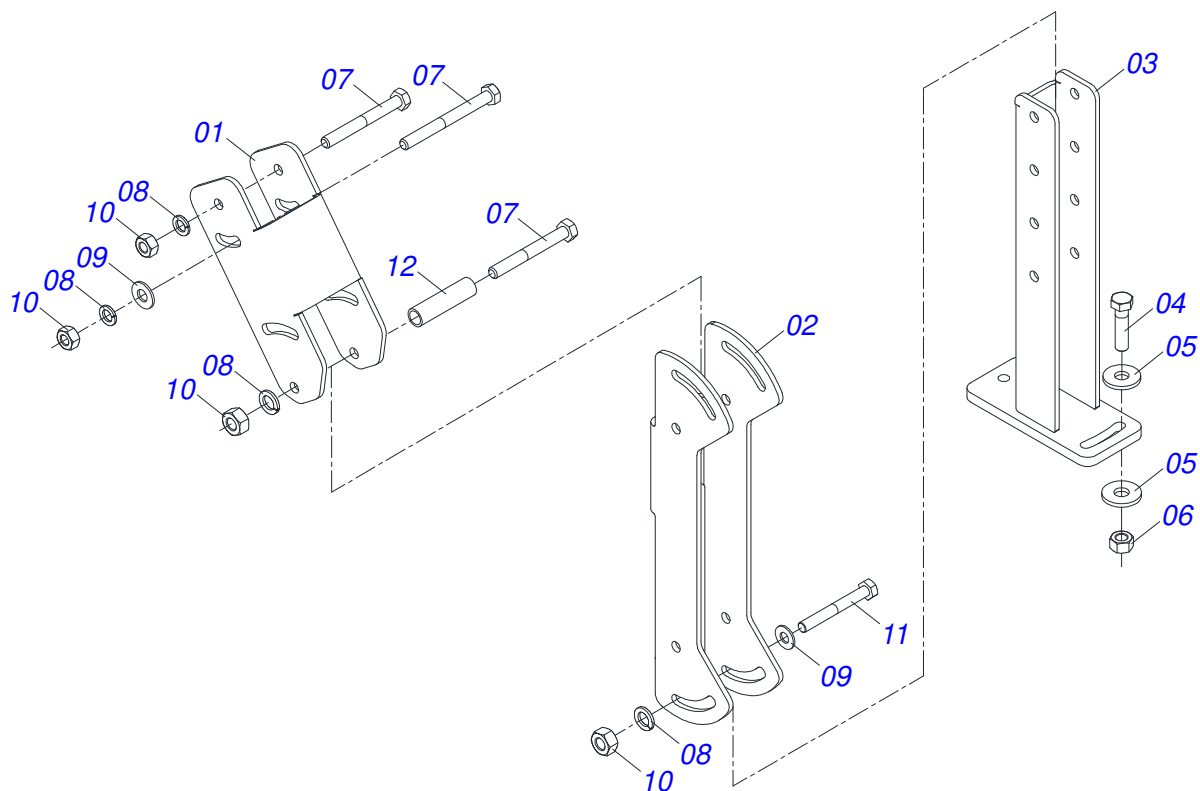
Item	Code	Description	See page	QT
01	0501010098	BOLT 3/4" UNC X 2 C S G.5 ZN		06
02	0501010500	3/4" X 3" BOLT		04
03	0501010322	20,50 X 46 X 4,00 ZN FLAT WASHER		08
04	0503010023	3/4" SPRING WASHER		10
05	0503010014	3/4" ZN G.5 (HEAVY) UNC HEX NUT		04
06	0501053834	MALE QUICK COUPLER	19	04
07	0571018714	3/4" X 3/4" UNF NIPPLE UNION (HEXAGONAL 7/8 X 50)		04
08	0503030168	HITCH PIN CLIP		02
09	0503013527	ZIP TIE		10
10	0503010060	1/2 UNC G.5 ZN HEX NUT		02



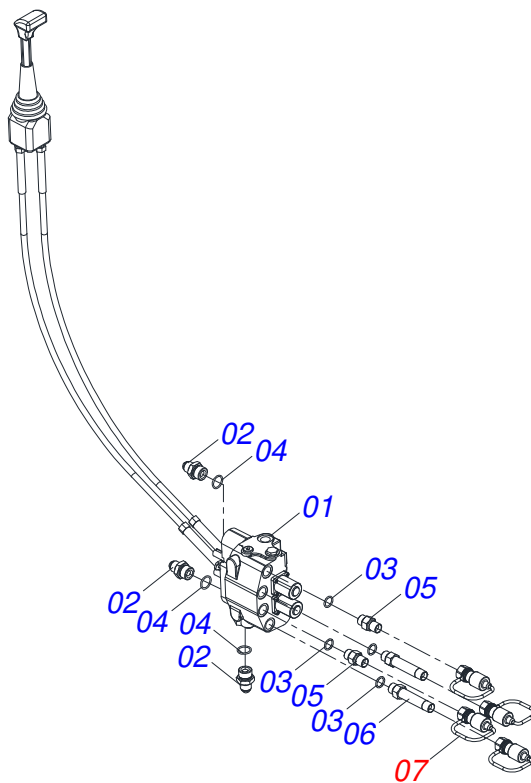
Item	Code	Description	See page	QT
01	0503011627	MALE QUICK COUPLER AGR 1/2 NPT		01
02	0503011882	MALE QUICK COUPLER CAP		01



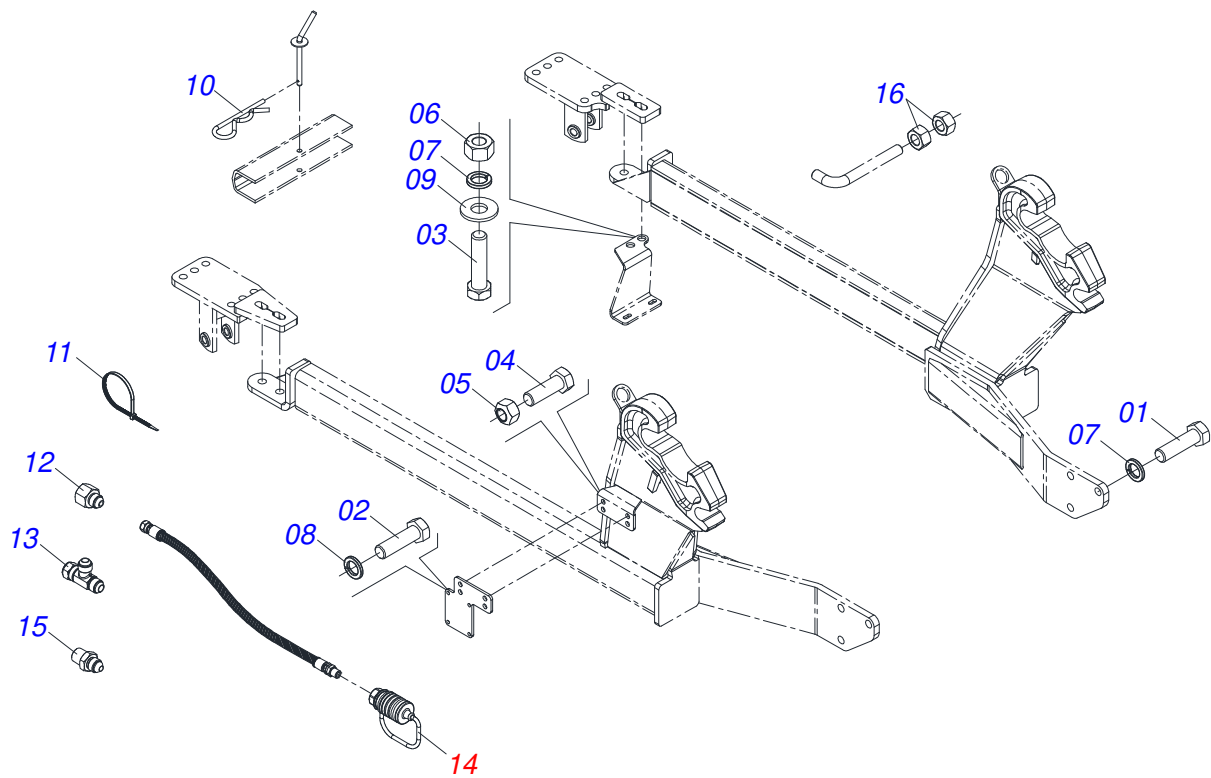
Item	Code	Description	See page	QT
01	0501218205	FUEL TANK SUPPORT		01
02	0531065205	LEFT DIFFERENTIAL SUPPORT		01
03	0531065346	RIGHT FRAME SUPPORT		01
04	0501218206	SUPPORT FRAME		01
05	0501218207	DIFFERENTIAL SUPPORT		01
06	0501217728	LOCK FOR TRANSPORTATION		02
07	0501068994	8,30 X 78 LOCK PIN		02
08	0501217853	HEADLIGHT SUPPORT		02
09	0581010285	CONTROL LOCKING HOOK		01
10	0501080109	1/2" X 31" TR-TR HOSE		01
11	0501080052	1/2" X 63" TR-TR HOSE		01
12	0501081041	1/2" X 94.48" TR-TC HOSE		01
13	0501080016	1/2" X 110" TR-TC HOSE		01
14	0581010090	SPRING PROTECTION PLASTIC HOSE		02
15	0511033668	BAG WITH INSTRUCTION MANUAL		01
16	0531044005	JOYSTICK SUPPORT ASSEMBLY	21	01
17	0501312116	COMMAND SUPPORT		01
18	0521047927	1/2" CONTROL	22	01
19	0511034983	PACKAGED PARTS - BT CDC JS	23	01



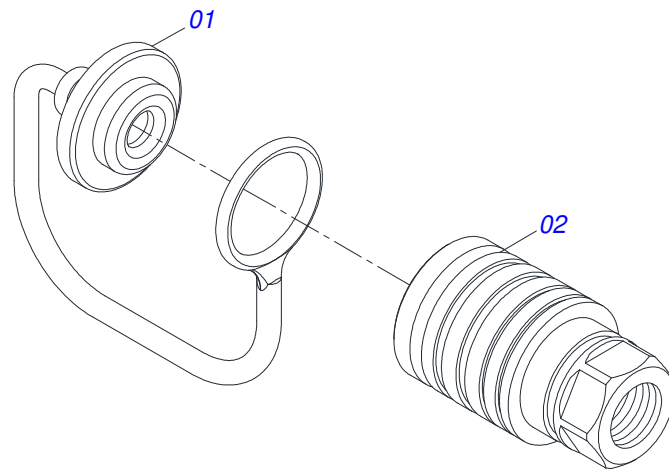
Item	Code	Description	See page	QT
01	0501217764	UPPER BODY JOYSTICK SUPPORT		01
02	0501217765	CENTRAL BODY JOYSTICK SUPPORT		01
03	0531065170	JOYSTICK BOTTOM SUPPORT		01
04	0503010849	3/8" X 1-1/2" BOLT		02
05	0501010984	10,50 X 27 X 3,00 FLAT WASHER		04
06	0503010026	3/8" NUT		02
07	0503010848	5/16" X 3.1/2" BOLT		04
08	0503010179	LOCK WASHER 5/16 ZN 1K01528		06
09	0501010694	FLAT WASHER 32,50 X 75 X 4,75		06
10	0503010337	NUT 5/16 UNC G.5 ZN		06
11	0503011053	5/16" X 3" C S 6.5 ZN BOLT		02
12	0541015551	0.39" X 0.512" X 1.9" SLEEVE		02



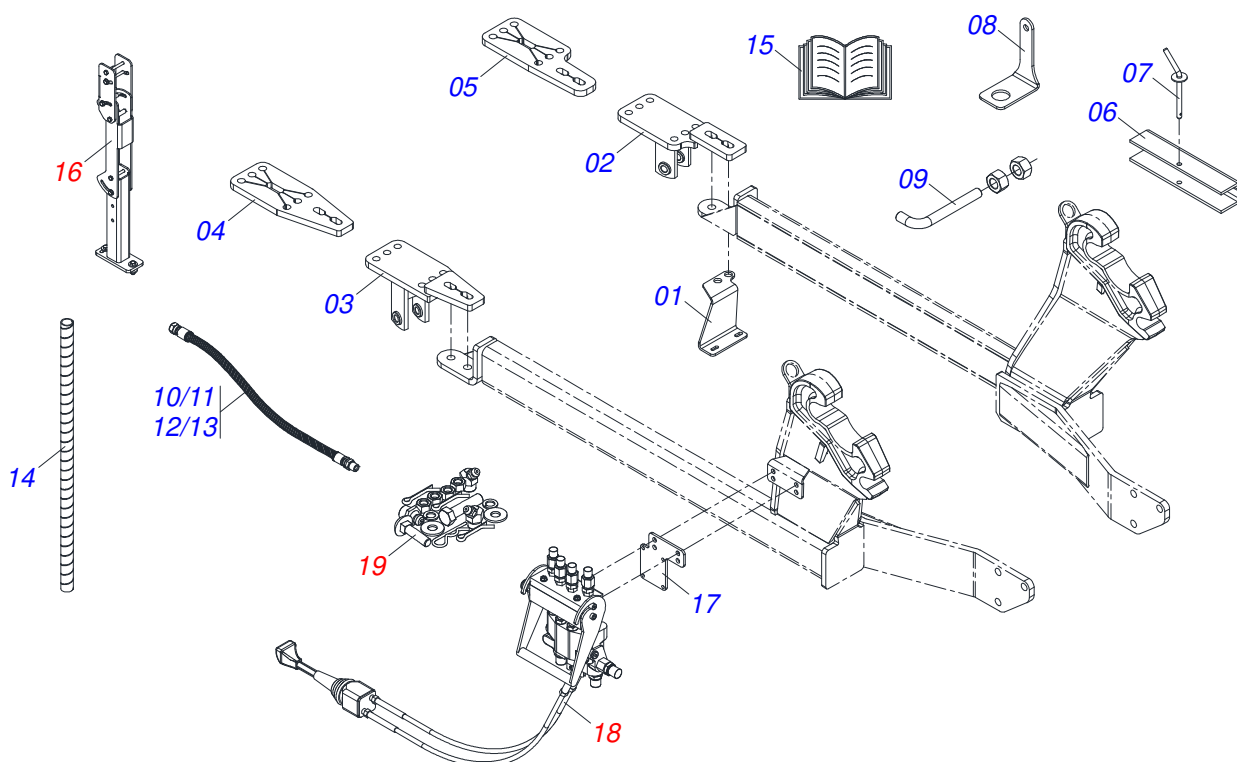
Item	Code	Description	See page	QT
01	0503062415	JOYSTICK CONTROL SDM122/2 ASSY		01
02	0511018014	7/8"NF X 1.1/16 UN NIPPLE		03
03	0503010045	O'RING		04
04	0503011109	O'RING 2-119 N 3006 9B		03
05	0581014145	ADAPTER ASSY		02
06	0581014120	STRAIGHT ADAPTER		02
07	0501053834	MALE QUICK COUPLER	19	04



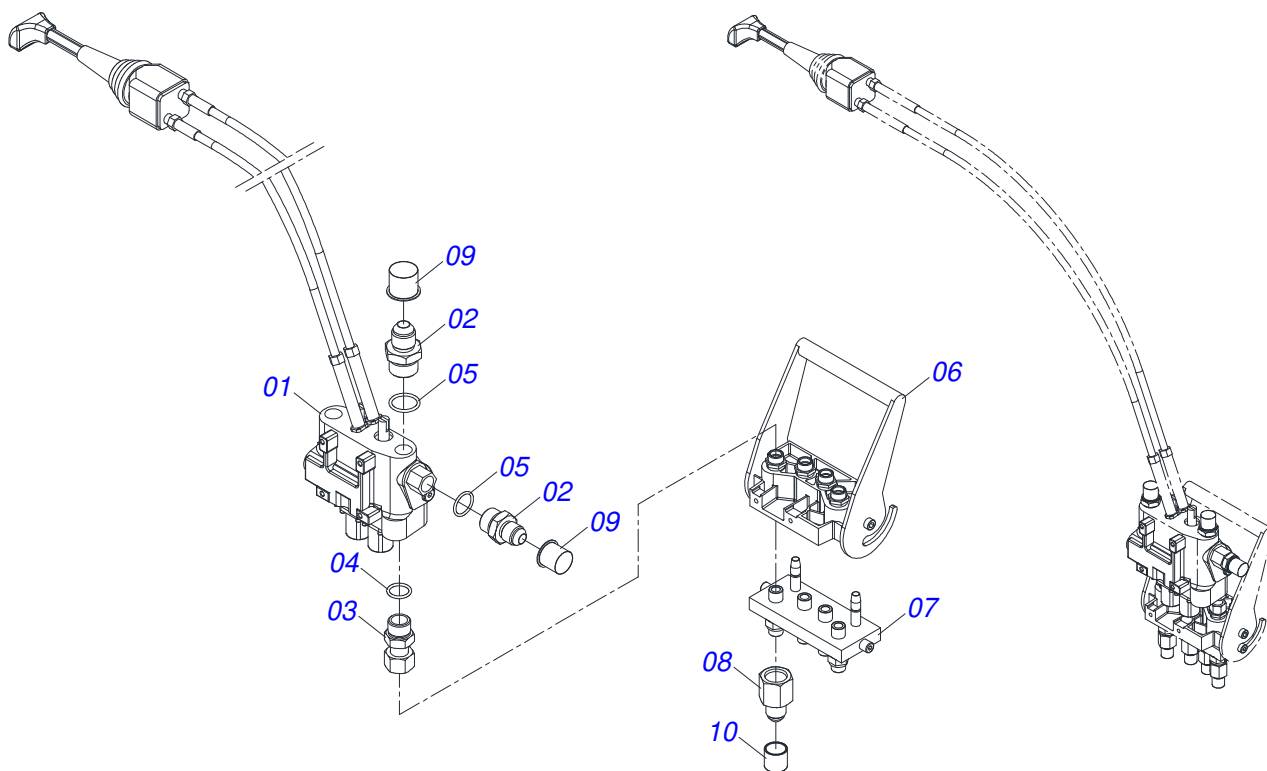
Item	Code	Description	See page	QT
01	0501010098	BOLT 3/4" UNC X 2 C S G.5 ZN		06
02	0503016506	5/16 UNC X 3/4 C S G.5 ZN BOLT		04
03	0501010500	3/4" X 3" BOLT		04
04	0501010063	1/2" X 1-1/2" BOLT		02
05	0503011336	1/2" HEX SELF ADJUSTING NUT		02
06	0503010014	3/4" ZN G.5 (HEAVY) UNC HEX NUT		04
07	0503010023	3/4" SPRING WASHER		10
08	0503010179	LOCK WASHER 5/16 ZN 1K01528		04
09	0501010322	20,50 X 46 X 4,00 ZN FLAT WASHER		08
10	0503030168	HITCH PIN CLIP		02
11	0503013527	ZIP TIE		10
12	0571019584	7/8 UNF NIPL		03
13	0503062177	7/8 (V.C) T-ADAPTER WITH NUT		01
14	0501053835	FEMALE QUICK COUPLER	24	04
15	0571015342	3/4" NIPL		04
16	0503010060	1/2 UNC G.5 ZN HEX NUT		02



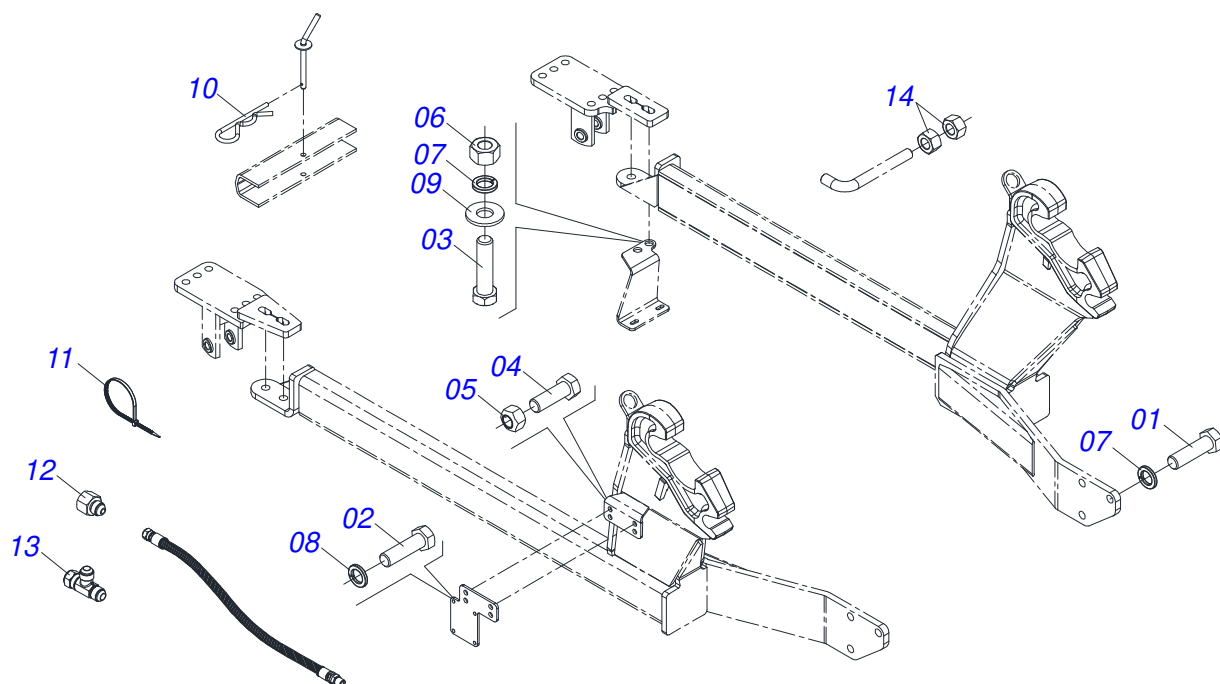
Item	Code	Description	See page	QT
01	0503011883	PLASTIC COVER		01
02	0503011628	FEMALE QUICK COUPLER		01



Item	Code	Description	See page	QT
01	0501218205	FUEL TANK SUPPORT		01
02	0531065205	LEFT DIFFERENTIAL SUPPORT		01
03	0531065346	RIGHT FRAME SUPPORT		01
04	0501218206	SUPPORT FRAME		01
05	0501218207	DIFFERENTIAL SUPPORT		01
06	0501217728	LOCK FOR TRANSPORTATION		02
07	0501068994	8,30 X 78 LOCK PIN		02
08	0501217853	HEADLIGHT SUPPORT		02
09	0581010285	CONTROL LOCKING HOOK		01
10	0501080109	1/2" X 31" TR-TR HOSE		01
11	0501080052	1/2" X 63" TR-TR HOSE		01
12	0501081041	1/2" X 94.48" TR-TC HOSE		01
13	0501080016	1/2" X 110" TR-TC HOSE		01
14	0581010090	SPRING PROTECTION PLASTIC HOSE		02
15	0511033668	BAG WITH INSTRUCTION MANUAL		01
16	0531044005	JOYSTICK SUPPORT ASSEMBLY	21	01
17	0501312116	COMMAND SUPPORT		01
18	0531041662	COMMAND 1/2 X CABLE 1,5M BTCDC AR	26	01
19	0511034982	PACKAGED PARTS - BT CDC JS AR	27	01



Item	Code	Description	See page	QT
01	0503062415	JOYSTICK CONTROL SDM122/2 ASSY		01
02	0511018014	7/8"NF X 1.1/16 UN NIPPLE		03
03	0501211242	NIPPLE R.3/4 UNF 16FPP X M22 INTER		04
04	0503010045	O'RING		04
05	0503011109	O'RING 2-119 N 3006 9B		03
06	0503062625	MANIFOLD		01
07	0503062626	MANIFOLD		01
08	0521067687	MULTI CONNECTOR ADAPTER		04
09	0503030387	PLUG		03
10	0503030385	CYLINDER PLUG N-002		04



Item	Code	Description	See page	QT
01	0501010098	BOLT 3/4" UNC X 2 C S G.5 ZN		06
02	0503016506	5/16 UNC X 3/4 C S G.5 ZN BOLT		04
03	0501010500	3/4" X 3" BOLT		04
04	0501010063	1/2" X 1-1/2" BOLT		02
05	0503011336	1/2" HEX SELF ADJUSTING NUT		02
06	0503010014	3/4" ZN G.5 (HEAVY) UNC HEX NUT		04
07	0503010023	3/4" SPRING WASHER		10
08	0503010179	LOCK WASHER 5/16 ZN 1K01528		04
09	0501010322	20,50 X 46 X 4,00 ZN FLAT WASHER		08
10	0503030168	HITCH PIN CLIP		02
11	0503013527	ZIP TIE		10
12	0571019584	7/8 UNF NIPL		03
13	0503062177	7/8 (V.C) T-ADAPTER WITH NUT		01
14	0503010060	1/2 UNC G.5 ZN HEX NUT		02



MARCHESAN

Technical Publications | Elaboration and Revision

LEONARDO JOSÉ DA SILVA SOUZA

www.marchesan.com.br

