

OFFSET DISK HARROW

ATCRL 6009 – 16/20/22/24/26/28/32/36D - TERRAMEC
ATCRL 6009 – 16/20/22/24/26/28/32/36D - TERRAMEC

Code: 0501093848
Series: S-0124
Revision: 00
Revision Date: JULY/2024

PARTS CATALOGUE



MARCHESAN



PRODUCTS

Code	Working Width	Description
0102440770		ATCRL 6009 16X24X4,75 DR DMO E 1.1/2 TERR S-0124
0102440721		ATCRL 6009 20X24X4,75 DR DMO E 1.1/2 TERR S-0124
0102440773		ATCRL 6009 22X24X4,75 DR DMO E 1.1/2 TERR S-0124
0102440720		ATCRL 6009 24X24X4,75 DR DMO E 1.1/2 TERR S-0124
0102440769		ATCRL 6009 24X26X4,75 DR DMO E 1.1/2 TERR S-0124
0102440772		ATCRL 6009 26X24X4,75 DR DMO E 1.1/2 TERR S-0124
0102440768		ATCRL 6009 26X26X4,75 DR DMO E 1.1/2 TERR S-0124
0102440719		ATCRL 6009 28X24X4,75 DR DMO E 1.1/2 TERR S-0124
0102440771		ATCRL 6009 32X24X4,75 DR DMO E 1.1/2 TERR S-0124
0102440722		ATCRL 6009 36X24X4,75 DR DMO E 1.1/2 TERR S-0124
0102440723		ATCRL 6009 36X26X6 DR DMO E 1.1/2 TERR S-0124

ATTENTION: IMPORTANT

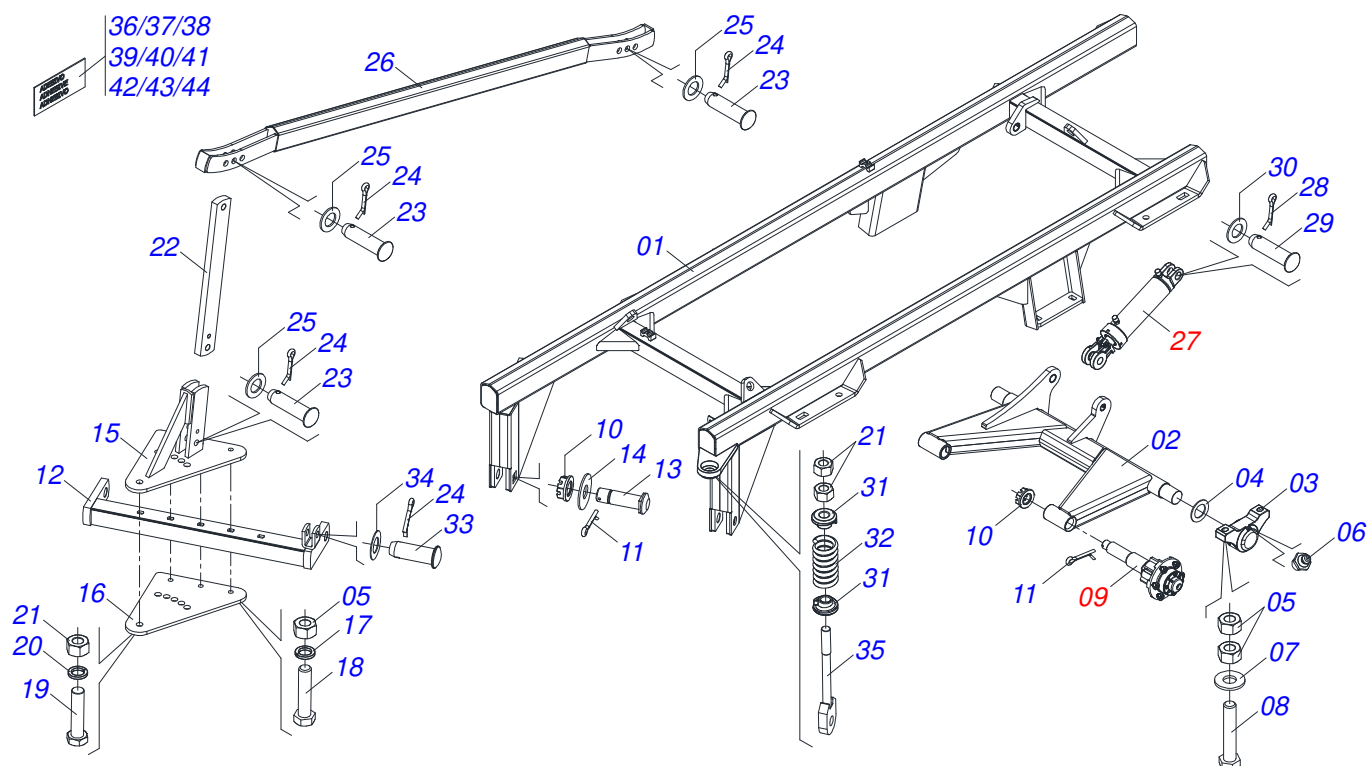
Marchesan S.A. reserves the right to improve and/or modify the technical features of its products, without obligation to do the same with those products already sold and without prior knowledge of the dealer or the customer. The photos are only illustrative.



MARCHESAN

INDEX

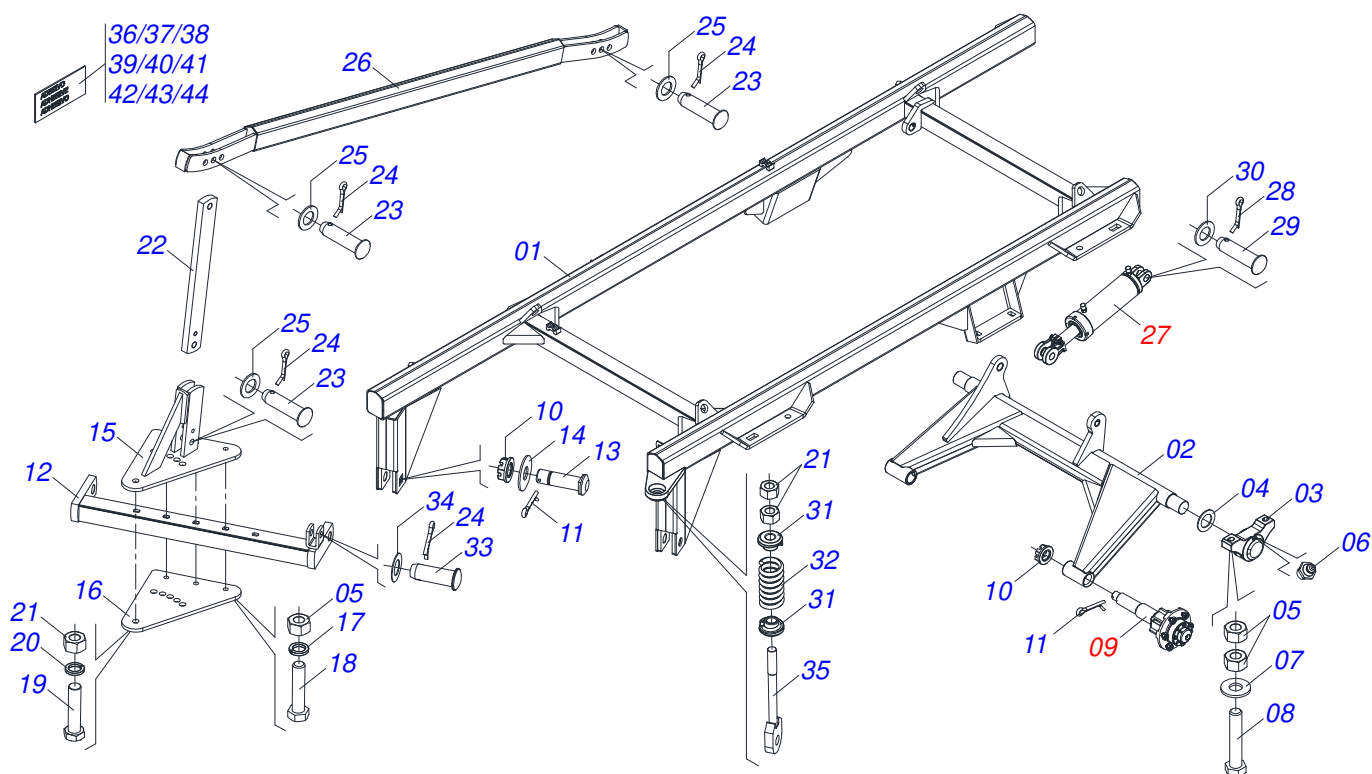
0909097300	FRAME ASSY	1
0501043803	ASSY FRAME - 14/16D	2
0501043654	FRAME ASSY - 18/19/20/21/22/23/24/25D	3
0501044123	FRAME ASSY - 28/29/32/33/36/37D	4
0501051634	STUB SHAFT HUB ASSY	5
0501051142	CARRYING WHEEL HUB	6
0511058298	HYDRAULIC CYLINDER 44,45 X 85,7 X 515 X 203	7
0511059180	HYDRAULIC CYLINDER 50,80 X 101,60 X 515 X 203	8
0501044596	DRAWBAR ASSY	9
0503060094	WHEEL AND TIRE ASSY	10
0503060091	L 29.5" X 0.63"-10L WHEEL AND TIRE ASSY	11
0501040257	3/4" X 38" HOSE SUPPORT ASSY	12
0501053834	MALE QUICK COUPLER	13
0503062157	DRAWBAR JACK	14
0909097301	DISC GANG SECTION	15
0521047184	DMO 225 X 1.1/2 AGRICULTURAL BEARING	16
0521050837	DMO 225 X 1.1/2 IMP AGRICULTURAL BEARING	17



Item	Code	Description	See page	QT
01	0511066918	FRAME		01
02	0501066950	CARRYING-WHEELS		01
03	0501110856	ARTICULATION BEARING		02
04	0501017579	FLAT WASHER		02
05	0503010014	3/4" ZN G.5 (HEAVY) UNC HEX NUT		11
06	0503010002	1800 GREASE FITTING		02
07	0501010322	20,50 X 46 X 4,00 ZN FLAT WASHER		04
08	0503010797	3/4" X 4" BOLT		04
09	0501051634	STUB SHAFT HUB ASSY	5	02
10	0501011301	1.1/2" UNC 6FPP 2.5/16" NUT		04
11	0503010010	1/4" X 2.1/2" SPLIT PIN		04
12	0501060370	OFFSET BAR		01
13	0521017538	11-1/2" X 5" COUPLING SHAFT		02
14	0511019880	FLAT WASHER		02
15	0501066099	UPPER PLATE WITH SUPPORT		01
16	0501010241	UPPER /LOWER PLATE		01
17	0503011442	3/4" SPRING WASHER		03
18	0503011198	BOLT 3/4" UNC X 6" CS G.5		03
19	0501010060	1" X 6-1/2" BOLT		02
20	0503011438	SPRING WASHER		02
21	0501010059	1.5/8 NUT		04
22	0511012972	STABILIZER BAR TOWER		01
23	0521010576	0.9" X 3.7" COUPLING SHAFT		03
24	0503010571	1/4" X 1.1/2" SPLIT PIN		04
25	0501011445	FLAT WASHER		03
26	0511066932	STABILIZER BAR		01
27	0511058298	HYDRAULIC CYLINDER 44,45 X 85,7 X 515 X 203	7	01
28	0503010523	1/4 X 2 SPLIT PIN		02
29	0521010779	31.75 X 95 COUPLING SHAFT		02
30	0501017779	FLAT WASHER 32 X 60 X 4,75		02
31	1902020392	SPRING SUPPORT		02
32	0503030441	12.7" X 5.7" X 0.5"SPRING		01



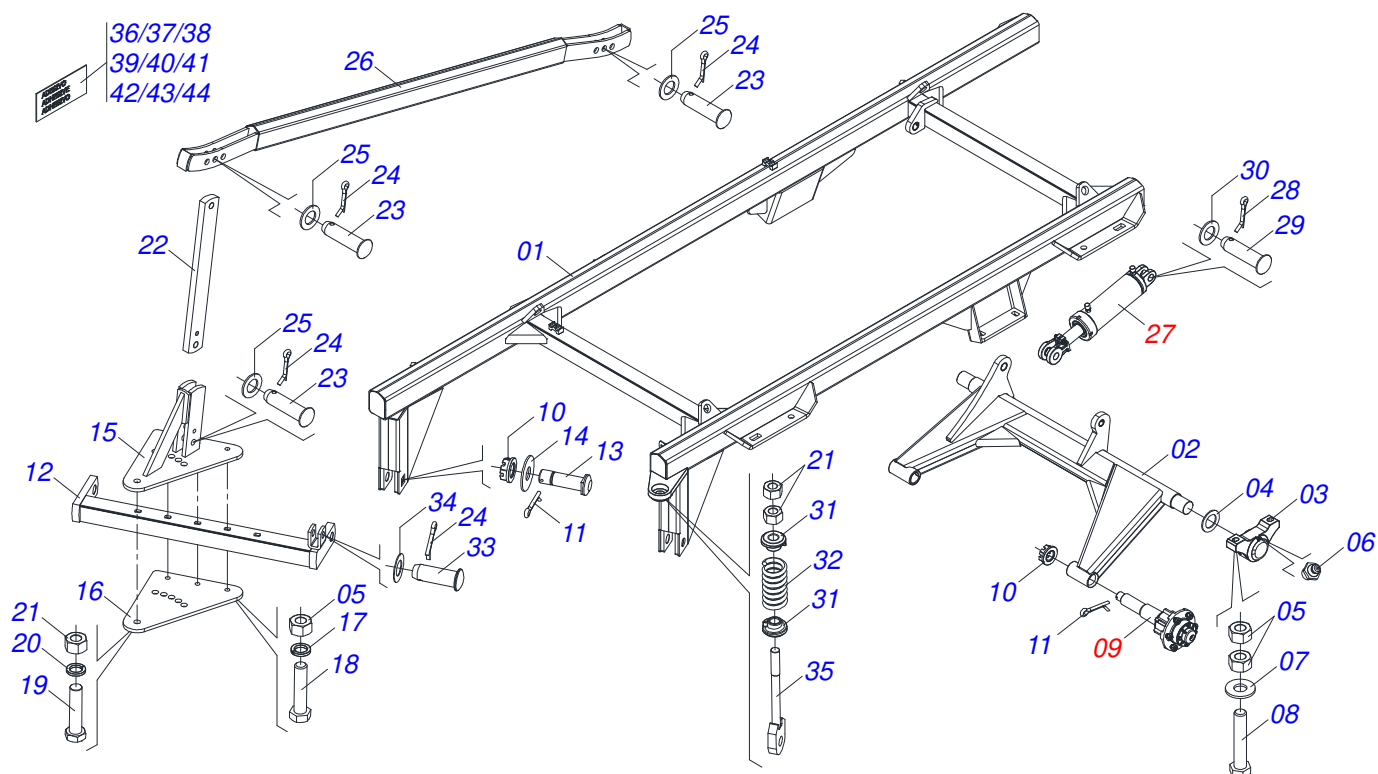
Item	Code	Description	See page	QT
33	0521010592	1.1" X 3.1" COUPLING SHAFT		01
34	0561011883	FLAT WASHER		01
35	0501064698	SPRING ROD		01
36	0503031428	ATTENTION READ MANUAL DECAL		01
37	0503031087	AUTO CONTROL APPROVED DECAL		01
38	0503031827	DAILY LUBRICATION AND RETIGHTENING DECAL		01
39	0503061529	ATCRL 6009 DECAL ASSY		01
40	0503034499	HOSE IDENTIFICATION DECAL		01
41	0503034078	LIFTING POINTS DECAL		03
42	0503031738	WARNING DECAL		01
43	0503033038	DANGER DECAL		01
44	0503031739	DANGER DECAL		01



Item	Code	Description	See page	QT
01	0501065311	FRAME		01
02	0501065518	CARRYING-WHEELS		01
03	0501110856	ARTICULATION BEARING		02
04	0501017579	FLAT WASHER		02
05	0503010014	3/4" ZN G.5 (HEAVY) UNC HEX NUT		11
06	0503010002	1800 GREASE FITTING		02
07	0501010322	20,50 X 46 X 4,00 ZN FLAT WASHER		04
08	0503010797	3/4" X 4" BOLT		04
09	0501051634	STUB SHAFT HUB ASSY	5	02
10	0501011301	1.1/2" UNC 6FPP 2.5/16" NUT		04
11	0503010010	1/4" X 2.1/2" SPLIT PIN		04
12	0501063260	OFFSET BAR		01
13	0521017538	11-1/2" X 5" COUPLING SHAFT		02
14	0511019880	FLAT WASHER		02
15	0501066099	UPPER PLATE WITH SUPPORT		01
16	0501010241	UPPER /LOWER PLATE		01
17	0503011442	3/4" SPRING WASHER		03
18	0503011198	BOLT 3/4" UNC X 6" CS G.5		03
19	0501010060	1" X 6-1/2" BOLT		02
20	0503011438	SPRING WASHER		02
21	0501010059	1.5/8 NUT		04
22	0511012972	STABILIZER BAR TOWER		01
23	0521010576	0.9" X 3.7" COUPLING SHAFT		03
24	0503010571	1/4" X 1.1/2" SPLIT PIN		04
25	0501011445	FLAT WASHER		03
26	0511066932	STABILIZER BAR		01
27	0511059180	HYDRAULIC CYLINDER 50,80 X 101,60 X 515 X 203	8	01
28	0503010523	1/4 X 2 SPLIT PIN		02
29	0521010779	31.75 X 95 COUPLING SHAFT		02
30	0501017779	FLAT WASHER 32 X 60 X 4,75		02
31	1902020392	SPRING SUPPORT		02
32	0503030441	12.7" X 5.7" X 0.5"SPRING		01



Item	Code	Description	See page	QT
33	0521010592	1.1" X 3.1" COUPLING SHAFT		01
34	0561011883	FLAT WASHER		01
35	0501064698	SPRING ROD		01
36	0503031428	ATTENTION READ MANUAL DECAL		01
37	0503031087	AUTO CONTROL APPROVED DECAL		01
38	0503031827	DAILY LUBRICATION AND RETIGHTENING DECAL		01
39	0503061529	ATCRL 6009 DECAL ASSY		01
40	0503034499	HOSE IDENTIFICATION DECAL		01
41	0503034078	LIFTING POINTS DECAL		04
42	0503031738	WARNING DECAL		01
43	0503033038	DANGER DECAL		01
44	0503031739	DANGER DECAL		01

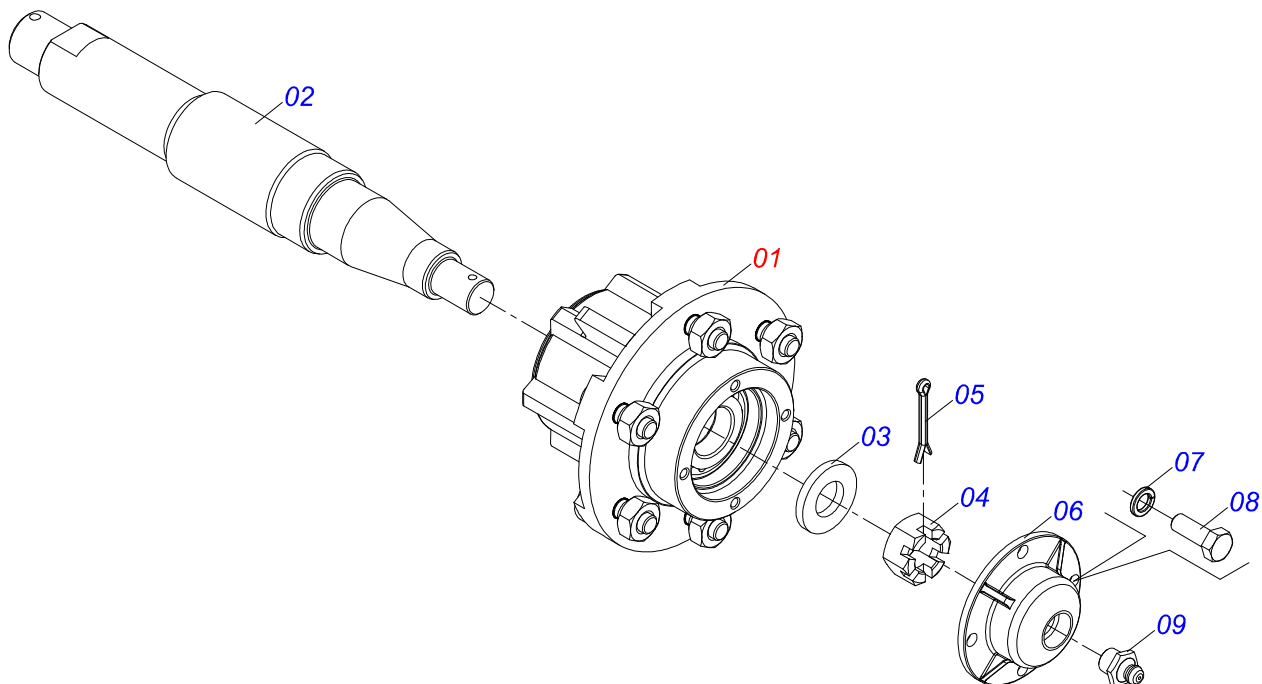


Item	Code	Description	See page	QT
01	0501068765	FRAME		01
02	0501065518	CARRYING-WHEELS		01
03	0501110856	ARTICULATION BEARING		02
04	0501017579	FLAT WASHER		02
05	0503010014	3/4" ZN G.5 (HEAVY) UNC HEX NUT		11
06	0503010002	1800 GREASE FITTING		02
07	0501010322	20,50 X 46 X 4,00 ZN FLAT WASHER		04
08	0503010797	3/4" X 4" BOLT		04
09	0501051634	STUB SHAFT HUB ASSY	5	02
10	0501011301	1.1/2" UNC 6FPP 2.5/16" NUT		04
11	0503010010	1/4" X 2.1/2" SPLIT PIN		04
12	0501063260	OFFSET BAR		01
13	0521017538	11-1/2" X 5" COUPLING SHAFT		02
14	0511019880	FLAT WASHER		02
15	0501066099	UPPER PLATE WITH SUPPORT		01
16	0501010241	UPPER /LOWER PLATE		01
17	0503011442	3/4" SPRING WASHER		03
18	0503011198	BOLT 3/4" UNC X 6" CS G.5		03
19	0501010060	1" X 6-1/2" BOLT		02
20	0503011438	SPRING WASHER		02
21	0501010059	1.5/8 NUT		04
22	0511012972	STABILIZER BAR TOWER		01
23	0521010576	0.9" X 3.7" COUPLING SHAFT		03
24	0503010571	1/4" X 1.1/2" SPLIT PIN		04
25	0501011445	FLAT WASHER		03
26	0511066932	STABILIZER BAR		01
27	0511059180	HYDRAULIC CYLINDER 50,80 X 101,60 X 515 X 203	8	01
28	0503010523	1/4 X 2 SPLIT PIN		02
29	0521010779	31.75 X 95 COUPLING SHAFT		02
30	0501017779	FLAT WASHER 32 X 60 X 4,75		02
31	1902020392	SPRING SUPPORT		02
32	0503030441	12.7" X 5.7" X 0.5"SPRING		01



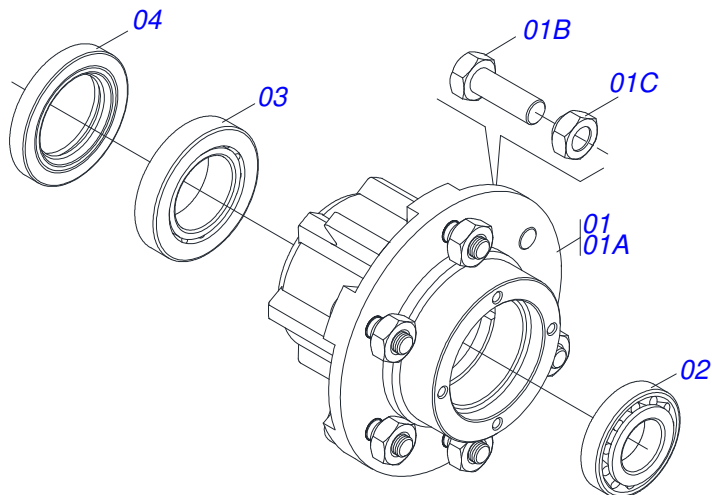
Item	Code	Description	See page	QT
33	0521010592	1.1" X 3.1" COUPLING SHAFT		01
34	0561011883	FLAT WASHER		01
35	0501064698	SPRING ROD		01
36	0503031428	ATTENTION READ MANUAL DECAL		01
37	0503031087	AUTO CONTROL APPROVED DECAL		01
38	0503031827	DAILY LUBRICATION AND RETIGHTENING DECAL		01
39	0503061529	ATCRL 6009 DECAL ASSY		01
40	0503034499	HOSE IDENTIFICATION DECAL		01
41	0503034078	LIFTING POINTS DECAL		04
42	0503031738	WARNING DECAL		01
43	0503033038	DANGER DECAL		01
44	0503031739	DANGER DECAL		01

STUB SHAFT HUB ASSY

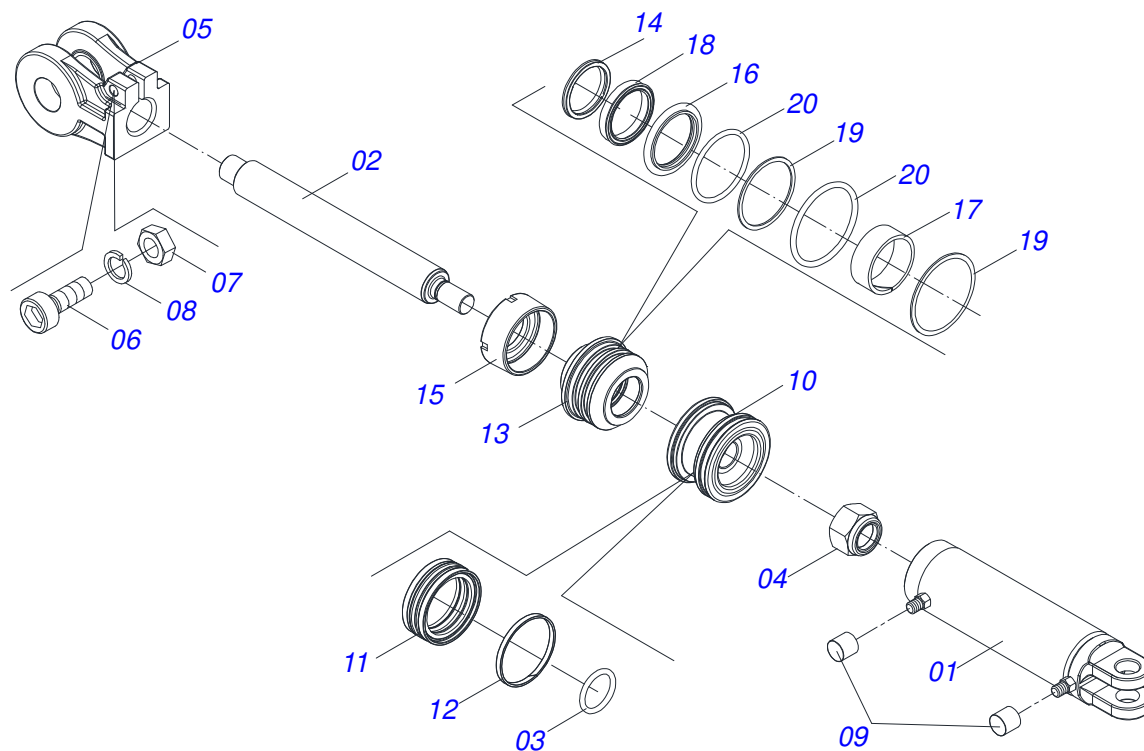


Item	Code	Description	See page	QT
01	0501051142	CARRYING WHEEL HUB	6	01
02	0521010821	2.5" X 16.5" AXLE		01
03	0501016545	FLAT WASHER		01
04	0503030009	1" CASTLE NUT		01
05	0503010018	5/32" X 1-1/2" SPLIT PIN		01
06	0502020591	PROTECTION LID		01
07	0503011444	SPRING WASHER 5/16"		04
08	0503010358	5/16" X 5/8" BOLT		04
09	0503010002	1800 GREASE FITTING		01

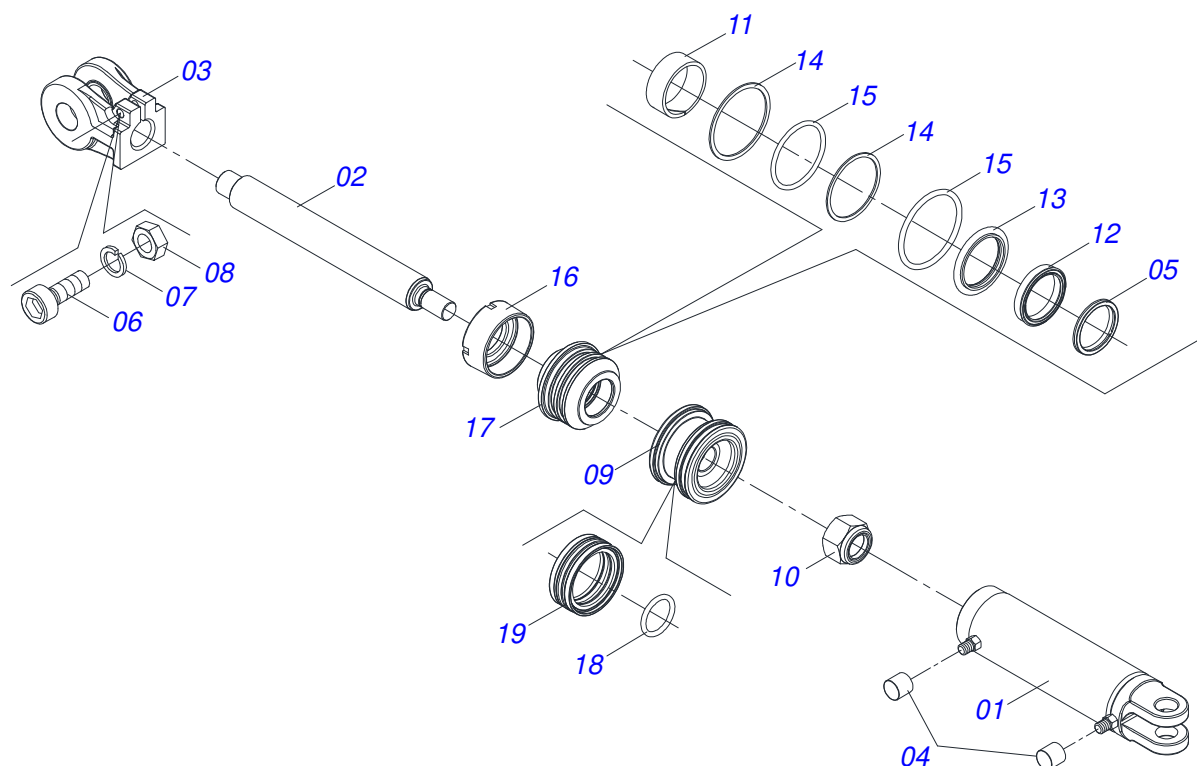
CARRYING WHEEL HUB



Item	Code	Description	See page	QT
01	0501110728	WHEEL HUB		01
01A	0502011121	CARRYING WHEEL HUB		01
01B	0501010127	9/16" X 1-7/8" LUG BOLT		06
01C	0503010035	9/16" CONIC NUT		06
02	0503010037	30207 ROLLER BEARING		01
03	0503010006	32210 ROLLER BEARING		01
04	0503012928	SEAL		01

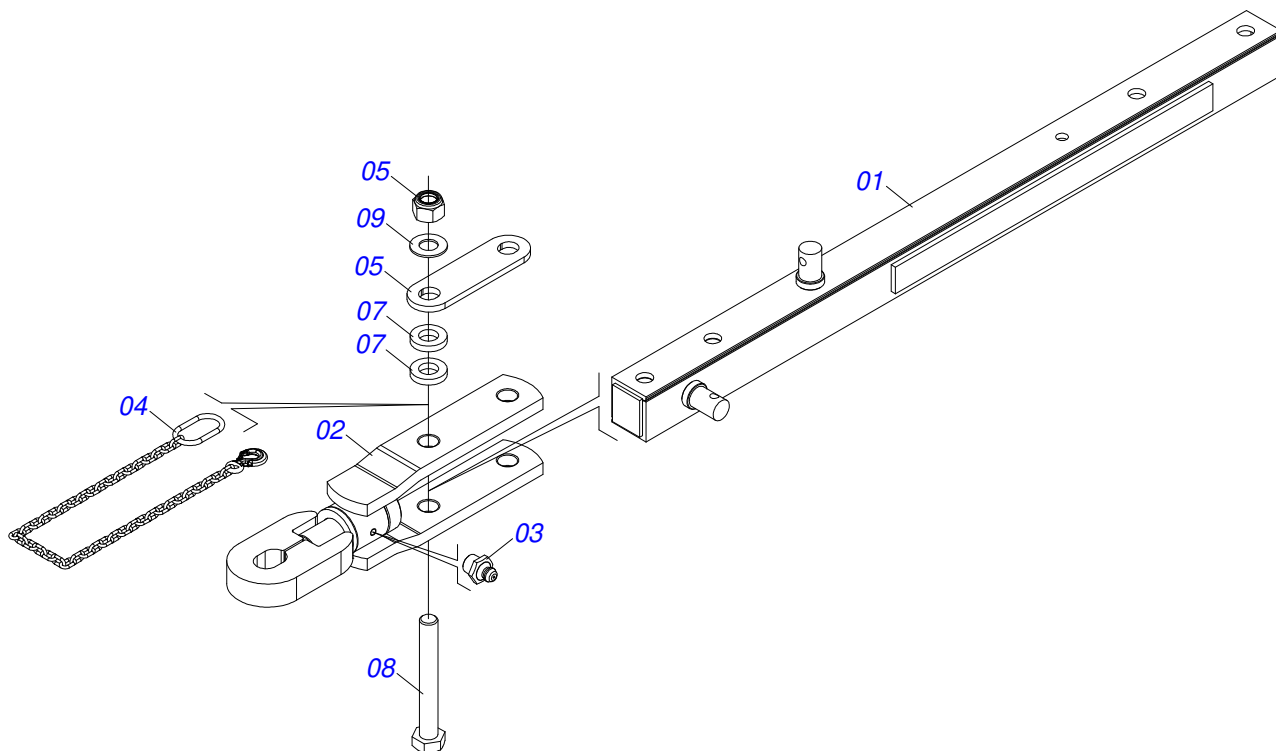


Item	Code	Description	See page	QT
01	0511061588	3.4" X 16" CYLINDER CASE		01
02	0521010421	HYDRAULIC CYLINDER TURNBUCKLE		01
03	0503010042	2-214 N 3006-9B O'RING		01
04	0503010063	1" SELF-ALIGNING NUT		01
05	0502040747	32.54 CLEVIS CLAMP		01
06	0503011094	BOLT 3/8" UNC X 2" C C S I 12.9		01
07	0503010026	3/8" NUT		01
08	0503010025	3/8" SPRING WASHER		01
09	0503030385	CYLINDER PLUG N-002		02
10	0571019710	1.7" X 3.4" PISTON		01
11	0503017935	RING		01
12	0503018144	RING		01
13	0571019711	RING SUPPORT		01
14	0503010761	D-1750 SCRAPER RING		01
15	0571019709	DETACHABLE COVER		01
16	0503017936	RING		01
17	0503017938	RING GUIDE		01
18	0503017937	GASKET		01
19	0503017940	8-337 BACK-UP RING		02
20	0503017939	2-337 N 3006-9B O' RING		02

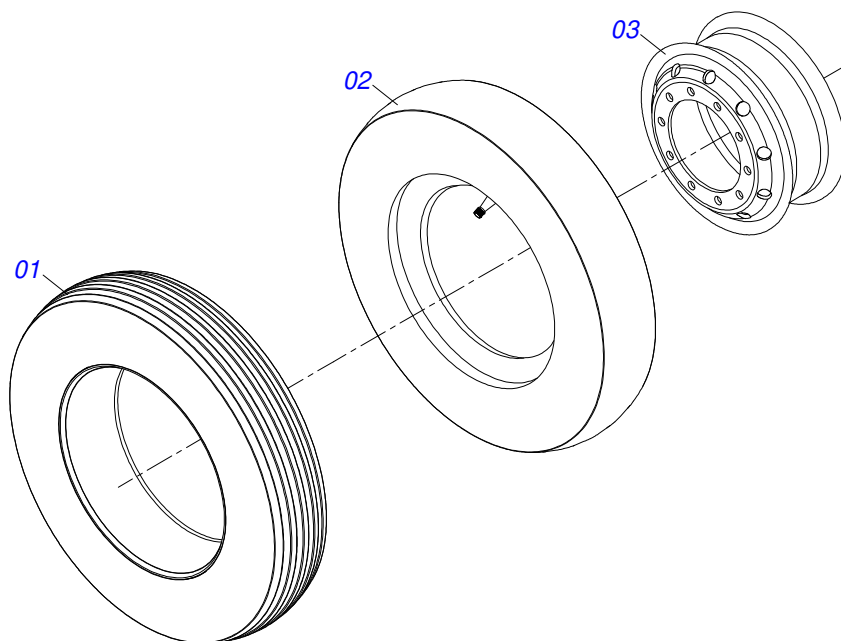


Item	Code	Description	See page	QT
01	0511070658	CYLINDER CASE 101,6 X 394		01
02	0571019958	HYDRAULIC CYLINDER TURNBUCKLE		01
03	0502040747	32.54 CLEVIS CLAMP		01
04	0503030385	CYLINDER PLUG N-002		02
05	0503010039	D-2000 SCRAPER RING		01
06	0503011094	BOLT 3/8" UNC X 2" C C S I 12.9		01
07	0503011443	SPRING WASHER 3/8"		01
08	0503010026	3/8" NUT		01
09	0502012820	2" X 4" PISTON		01
10	0503010817	1.1/4" SELF LOCKING NUT		01
11	0503018025	RING GUIDE W2-2250-750		01
12	0503018026	GASKET 1870-2000-375 B POLYMAX		01
13	0503018024	RING BS OD050805200171D-BR		01
14	0503011061	8-342 BACK-UP RING		02
15	0503010338	2-342 N 3006-9B O'RING		02
16	0502012822	END CAP 4"		01
17	0502012821	2" X 4" RING SUPPORT		01
18	0503018029	O'RING 2-217 N 3006 90B		01
19	0503015633	SELEMASTER SEALING		01

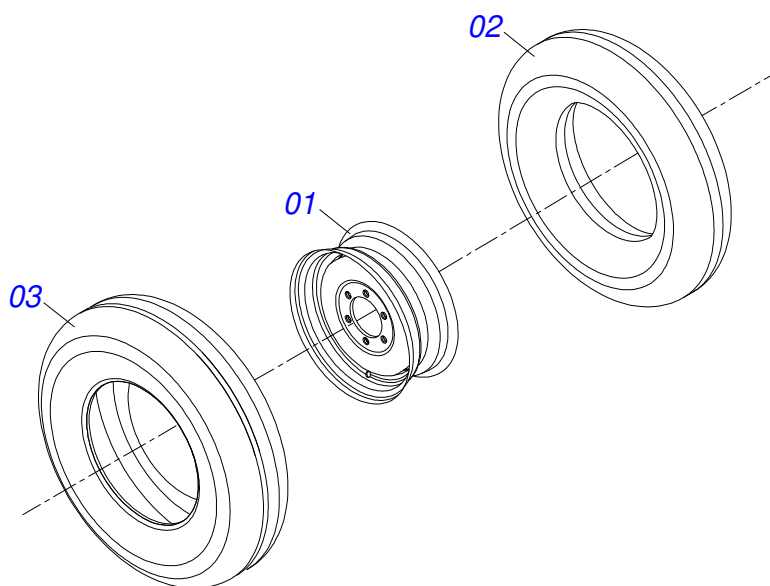
DRAWBAR ASSY



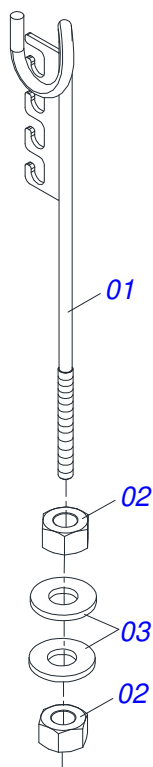
Item	Code	Description	See page	QT
01	0501066559	DRAWBAR		01
02	0501066560	TRACTOR HITCH		01
03	0503010002	1800 GREASE FITTING		01
04	0503019567	SECURITY CHAIN 1300 X 5/16 WITH HOOK / RING		01
05	0591014183	CURRENT FIXING PLATE		01
06	0503018754	NUT 1 - 8 UNC - 2B G8		02
07	0521012087	FLAT WASHER		04
08	0501010219	1" X 7-1/2" BOLT		02
09	0551014872	FLAT WASHER		02



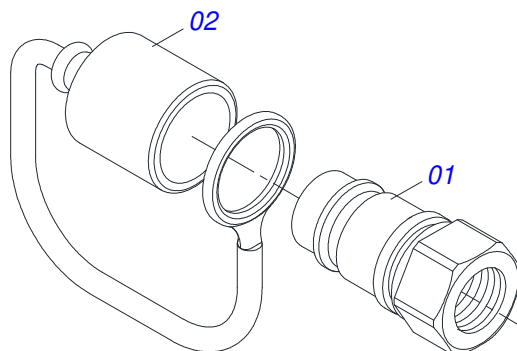
Item	Code	Description	See page	QT
01	0503010065	CANVAS TIRE		01
02	0503010068	6.00 X 16 INNER TIRE		01
03	0503010894	0.2"X0.6"X4.6"X6F0.6"X6" WHEEL		01



Item	Code	Description	See page	QT
01	0503010893	WHEEL		01
02	0503010033	7.50 X 16 INNER TIRE		01
03	0503010120	CANVAS TIRE		01



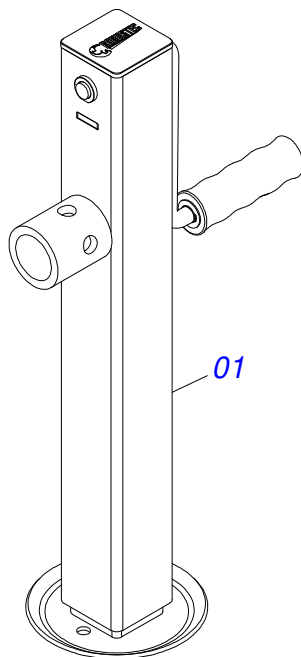
Item	Code	Description	See page	QT
01	0511067334	HOSE SUPPORT		01
02	0503010014	3/4" ZN G.5 (HEAVY) UNC HEX NUT		02
03	0501010322	20,50 X 46 X 4,00 ZN FLAT WASHER		02



Item	Code	Description	See page	QT
01	0503011627	MALE QUICK COUPLER AGR 1/2 NPT		01
02	0503011882	MALE QUICK COUPLER CAP		01

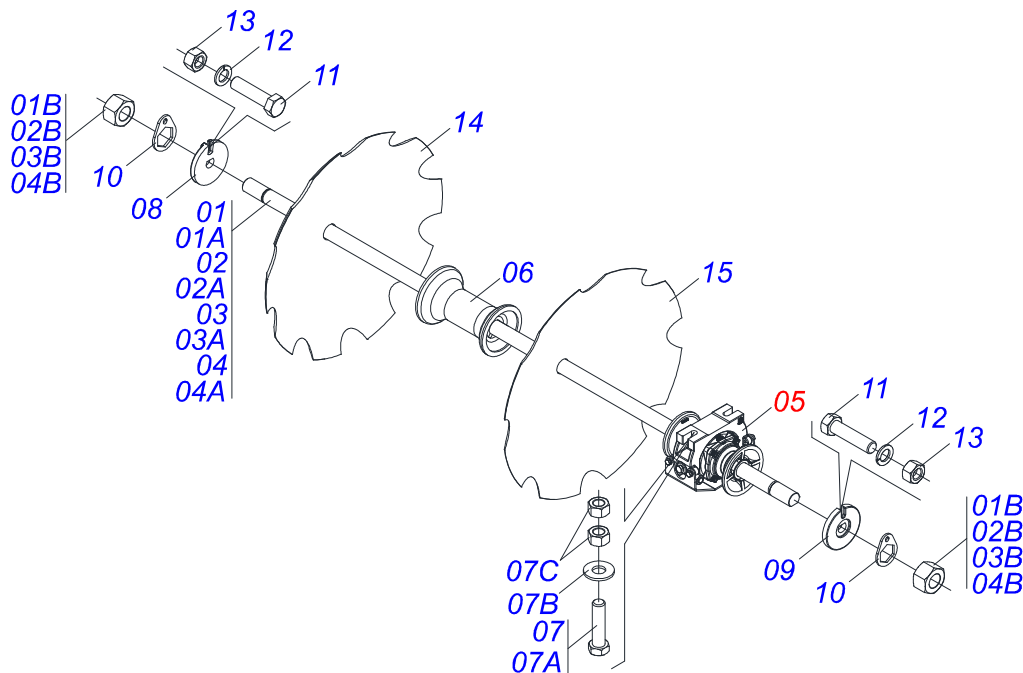
DRAWBAR JACK

0503062157

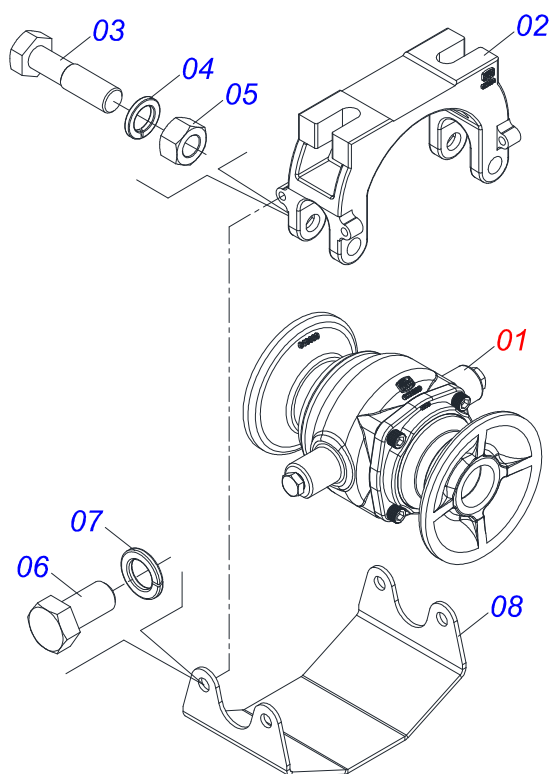


Item	Code	Description	See page	QT
01	0503062157	DRAWBAR JACK	14	01

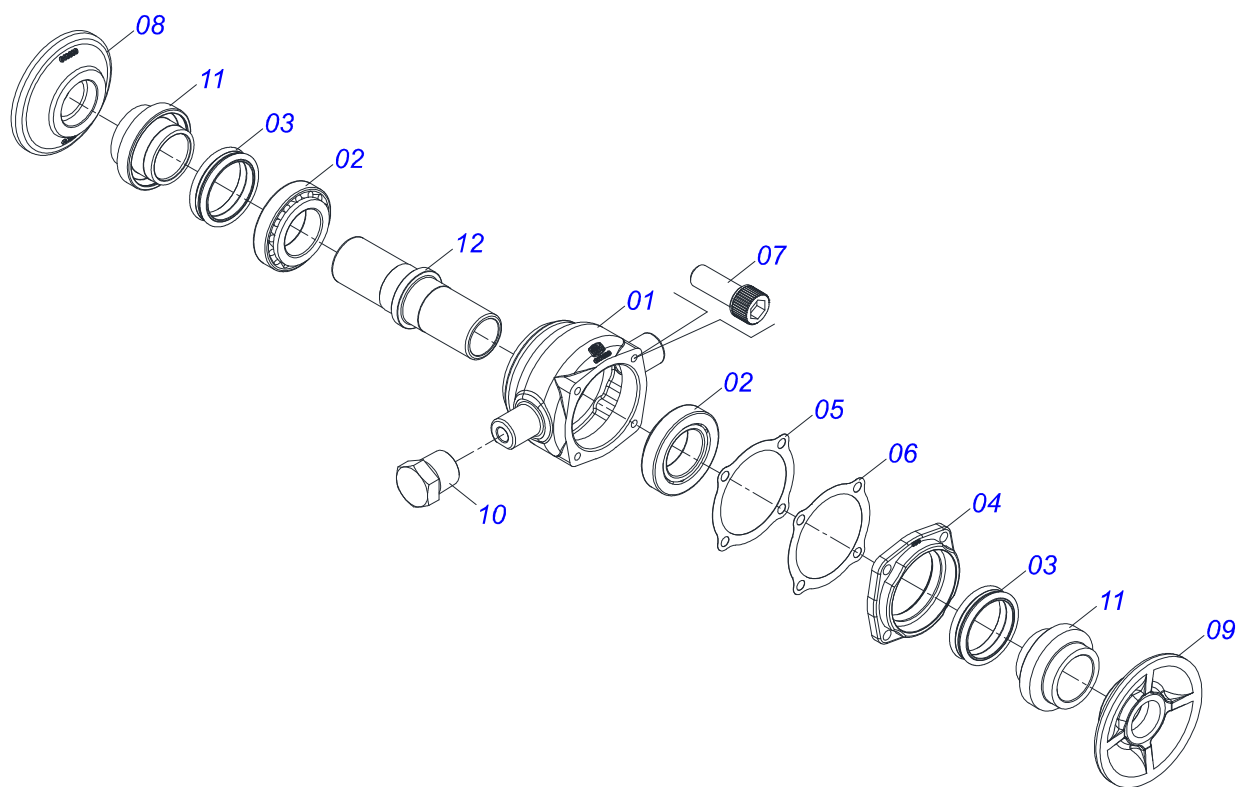
DISC GANG SECTION



Item	Code	Description	See page	16	20	22	24	26	28	32	36
01	0501043837	1-1/2" X 68" AXLE WITH NUTS		02	00	00	00	00	00	04	00
01A	0511010225	1-1/2" X 68" AXLE		01	00	00	00	00	00	01	00
01B	0501010110	1.1/2" NC 6FPP 2.3/8 HEXAGONAL NUT		02	00	00	00	00	00	02	00
02	0501043835	1.1/2" X 1040 AXLE W/NUT		00	04	02	00	00	00	00	00
02A	0511010224	1.1/2" X 1040 AXLE		00	01	01	00	00	00	00	00
02B	0501010110	1.1/2" NC 6FPP 2.3/8 HEXAGONAL NUT		00	02	02	00	00	00	00	00
03	0501043689	1-1/2" X 1275 AXLE W/NUT		00	00	02	04	00	00	00	06
03A	0511012600	1-1/2" X 1275 AXLE		00	00	01	01	00	00	00	01
03B	0501010110	1.1/2" NC 6FPP 2.3/8 HEXAGONAL NUT		00	00	02	02	00	00	00	02
04	0501043697	1.1/2" 6FPP X 1505 AXLE WITH NUTS		00	00	00	00	00	04	00	00
04A	0511012601	1.1/2" 6FPP X 1505 AXLE		00	00	00	00	00	01	00	00
04B	0501010110	1.1/2" NC 6FPP 2.3/8 HEXAGONAL NUT		00	00	00	00	00	02	00	00
05	0521047184	DMO 225 X 1.1/2" AGRICULTURAL BEARING	16	06	08	08	08	08	08	08	12
06	0502010621	8.8" 1-1/2" SPACER		08	08	10	12	14	16	20	18
07	0521047597	ASSEMBLY SCREW 5/8 UNC X 2.1/2" BEARING		12	16	16	16	16	16	16	24
07A	0503010233	5/8 UNC X 2.1/2" CS G.5 ZN BOLT		01	01	01	01	01	01	01	01
07B	0501012140	FLAT WASHER 16,50 X 40 X 4,00 ZN		01	01	01	01	01	01	01	01
07C	0503010013	5/8 UNC G.5 ZN HEX NUT		02	02	02	02	02	02	02	02
08	0502010871	EXTERNAL AXLE WASHER 1.1/2"		02	04	04	04	04	04	04	06
09	0502010872	1-1/2" INNER AXLE WASHER		02	04	04	04	04	04	04	06
10	0501018592	1.5/8 HEX 60,0/60,2 LOCK NUT		04	08	08	08	08	08	08	12
11	0503011267	BOLT 5/8" UNC X 1.1/2" C S G.5 ZN		04	08	08	08	08	08	08	12
12	0503010027	5/8 SPRING WASHER		04	08	08	08	08	08	08	12
13	0503010013	5/8 UNC G.5 ZN HEX NUT		04	08	08	08	08	08	08	12
14	0602030237	DR 24 X 4,75 C84AF02FR1.9/16 10R		16	20	22	24	26	28	32	36
15	0602033283	DR 26 X 4,75 C89AF02FR1.9/16 10R		16	20	22	24	26	28	32	36



Item	Code	Description	See page	QT
01	0521050837	DMO 225 X 1.1/2 IMP AGRICULTURAL BEARING	17	01
02	0502012854	BEARING SUPPORT 182/192,5		01
03	0501011541	5/8 UNC X 3 CS G.5 ZN1K28066 BOLT		02
04	0503010027	5/8 SPRING WASHER		02
05	0503010013	5/8 UNC G.5 ZN HEX NUT		02
06	0503011334	3/8 UNC X 3/4 CS G.5 ZN BOLT		04
07	0503010025	3/8" SPRING WASHER		04
08	0581014143	SWIVEL OIL BATH BEARING WEAR PLATE		01



Item	Code	Description	See page	QT
01	0502012839	BEARING HOUSING 182/192,5		01
02	0503010006	32210 ROLLER BEARING		02
03	0503030026	SEAL LP JB-253		02
04	0502020424	HOUSING CAP 182/192,225		01
05	0503030013	4.4" X 3.5" X 0.004" JOINT		01
06	0503030684	4.4" X 3.5" X 0.004" JOINT		01
07	0503010134	3/8" X 1" BOLT		04
08	0502010605	INNER FLANGE		01
09	0502010604	OUTER FLANGE		01
10	0503010856	OIL PLUG R 3/8 BSPT		02
11	0502010821	RETAINER HOLDER WITH BUSHING		02
12	0502040611	AXLE		01



MARCHESAN

Technical Publications | Elaboration and Revision
LUIZ CANDIDO

www.marchesan.com.br

