

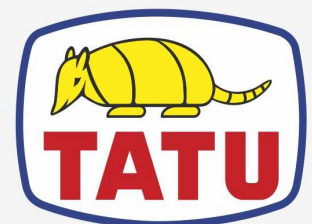
**OFFSET DISK HARROW**

**ATCRL 6009 14/16/18/19/20/21/22/23/24/25/  
26/28/29/32/33/36/37D**

**ATCRL 6009 14/16/18/19/20/21/22/23/24/25/  
26/28/29/32/33/36/37D**

**Code:** 0501093847  
**Series:** S-0124  
**Revision:** 00  
**Revision Date:** MARCH/2024

# **PARTS CATALOGUE**



**MARCHESAN**



# PRODUCTS

Code	Working Width	Description
0102440671C		ATCRL 6009 14 X 24 X 4,75 DR DMO E 1.1/2 EXP S-0124
0102440671		ATCRL 6009 14 X 24 X 4,75 DR DMO E 1.1/2 S-0124
0102440754C		ATCRL 6009 14 X 24 X 6,00 DR DMO E 1.1/2 EXP S-0124
0102440754		ATCRL 6009 14 X 24 X 6,00 DR DMO E 1.1/2 S-0124
0102440691		ATCRL 6009 14 X 24 X 6,00 DRC DMO E 1.1/2 S-0124
0102440681		ATCRL 6009 14 X 26 X 4,75 DR DMO E 1.1/2 S-0124
0102440688		ATCRL 6009 14 X 26 X 6,00 DR DMO E 1.1/2 S-0124
0102440725		ATCRL 6009 16 X 22 X 4,75 DR DMO E 1.1/2 S-0124
0102440729		ATCRL 6009 16 X 24 X 4,75 DR DMO E 1.1/2 ESP S-0124
0102440757C		ATCRL 6009 16 X 24 X 4,75 DR DMO E 1.1/2 EXP S-0124
0102440757		ATCRL 6009 16 X 24 X 4,75 DR DMO E 1.1/2 S-0124
0102440774C		ATCRL 6009 16 X 24 X 6,00 DR DMO E 1.1/2 EXP S-0124
0102440774		ATCRL 6009 16 X 24 X 6,00 DR DMO E 1.1/2 S-0124
0102440692		ATCRL 6009 16 X 24 X 6,00 DRC DMO E 1.1/2 S-0124
0102440672C		ATCRL 6009 16 X 26 X 6,00 DR DMO E 1.1/2 EXP S-0124
0102440672		ATCRL 6009 16 X 26 X 6,00 DR DMO E 1.1/2 S-0124
0102440724		ATCRL 6009 18 X 22 X 4,75 DR DMO E 1.1/2 S-0124
0102440664C		ATCRL 6009 18 X 24 X 4,75 DR DMO E 1.1/2 EXP S-0124
0102440664		ATCRL 6009 18 X 24 X 4,75 DR DMO E 1.1/2 S-0124
0102440728		ATCRL 6009 18 X 24 X 6,00 DR DMO E 1.1/2 ESP S-0124
0102440699C		ATCRL 6009 18 X 24 X 6,00 DR DMO E 1.1/2 EXP S-0124
0102440699		ATCRL 6009 18 X 24 X 6,00 DR DMO E 1.1/2 S-0124
0102440689		ATCRL 6009 18 X 24 X 6,00 DRC DMO E 1.1/2 S-0124
0102440778C		ATCRL 6009 18 X 24 X 6,00 MT DMO E 1.1/2 EXP S-0124
0102440778		ATCRL 6009 18 X 24 X 6,00 MT DMO E 1.1/2 S-0124
0102440751		ATCRL 6009 18 X 26 X 4,75 DR DMO E 1.1/2 C/PN S-0124
0102440682		ATCRL 6009 18 X 26 X 4,75 DR DMO E 1.1/2 S/PN S-0124
0102440673C		ATCRL 6009 18 X 26 X 6,00 DR DMO E 1.1/2 EXP S-0124
0102440673		ATCRL 6009 18 X 26 X 6,00 DR DMO E 1.1/2 S-0124
0102440680		ATCRL 6009 18X24X4,75 DRC DMO E 1.1/2 S-0124

## ATTENTION: IMPORTANT

Marchesan S.A. reserves the right to improve and/or modify the technical features of its products, without obligation to do the same with those products already sold and without prior knowledge of the dealer or the customer. The photos are only illustrative.



# PRODUCTS

0102440745C	ATCRL 6009 19 X 24 X 4,75 DR DMO E 1.1/2 EXP S-0124
0102440695	ATCRL 6009 19 X 24 X 4,75 DR DMO E 1.1/2 S-0124
0102440745	ATCRL 6009 19 X 24 X 4,75 DR DMO E 1.1/2 S-0124
0102440726	ATCRL 6009 20 X 22 X 4,75 DR DMO E 1.1/2 S-0124
0102440730	ATCRL 6009 20 X 24 X 4,75 DR DMO E 1.1/2 ESP S-0124
0102440665C	ATCRL 6009 20 X 24 X 4,75 DR DMO E 1.1/2 EXP S-0124
0102440665	ATCRL 6009 20 X 24 X 4,75 DR DMO E 1.1/2 S-0124
0102440678	ATCRL 6009 20 X 24 X 4,75 DRC DMO E 1.1/2 S-0124
0102440737	ATCRL 6009 20 X 24 X 4,75 MT DMO E 1.1/2 S-0124
0102440701C	ATCRL 6009 20 X 24 X 6,00 DR DMO E 1./2 EXP S-0124
0102440701	ATCRL 6009 20 X 24 X 6,00 DR DMO E 1./2 S-0124
0102440690	ATCRL 6009 20 X 24 X 6,00 DRC DMO E 1.1/2 S-0124
0102440776C	ATCRL 6009 20 X 24 X 6,00 MT DMO E 1./2 EXP S-0124
0102440776	ATCRL 6009 20 X 24 X 6,00 MT DMO E 1./2 S-0124
0102440683	ATCRL 6009 20 X 26 X 4,75 DR DMO E 1.1/2 S-0124
0102440674C	ATCRL 6009 20 X 26 X 6,00 DR DMO E 1.1/2 EXP S-0124
0102440674	ATCRL 6009 20 X 26 X 6,00 DR DMO E 1.1/2 S-0124
0102440696C	ATCRL 6009 21 X 24 X 4,75 DR DMO E 1.1/2 EXP S-0124
0102440746C	ATCRL 6009 21 X 24 X 4,75 DR DMO E 1.1/2 EXP S-0124
0102440735	ATCRL 6009 21 X 24 X 4,75 DR DMO E 1.1/2 MC S-0124
0102440746	ATCRL 6009 21 X 24 X 4,75 DR DMO E 1.1/2 S-0124
0102440696	ATCRL 6009 21 X 24 X 4,75 DR DMO E 1.1/2 S-0124
0102440374C	ATCRL 6009 22 X 24 X 4,75 DR DMO E 1.1/2 EXP S-0124
0102440734C	ATCRL 6009 22 X 24 X 4,75 DR DMO E 1.1/2 EXP S-0124
0102440734	ATCRL 6009 22 X 24 X 4,75 DR DMO E 1.1/2 S-0124
0102440374	ATCRL 6009 22 X 24 X 4,75 DR DMO E 1.1/2 S-0124
0102440707	ATCRL 6009 22 X 24 X 6,00 DRC DMO E 1.1/2 S-0124
0102440779C	ATCRL 6009 22 X 24 X 6,00 MT DMO E 1.1/2 EXP S-0124
0102440779	ATCRL 6009 22 X 24 X 6,00 MT DMO E 1.1/2 S-0124
0102440742	ATCRL 6009 22 X 26 X 4,75 DR DMO E 1.1/2 S-0124
0102440705C	ATCRL 6009 22 X 26 X 6,00 DR DMO E 1.1/2 EXP S-0124

## ATTENTION: IMPORTANT

Marchesan S.A. reserves the right to improve and/or modify the technical features of its products, without obligation to do the same with those products already sold and without prior knowledge of the dealer or the customer. The photos are only illustrative.



# PRODUCTS

0102440705	ATCRL 6009 22 X 26 X 6,00 DR DMO E 1.1/2 S-0124
0102440747C	ATCRL 6009 23 X 24 X 4,75 DR DMO E 1.1/2 EXP S-0124
0102440710	ATCRL 6009 23 X 24 X 4,75 DR DMO E 1.1/2 S-0124
0102440747	ATCRL 6009 23 X 24 X 4,75 DR DMO E 1.1/2 S-0124
0102440716	ATCRL 6009 23 X 24 X 6,00 DRC DMO E 1.1/2 S-0124
0102440781C	ATCRL 6009 23 X 26 X 6,00 DR DMO E 1.1/2 EXP S-0124
0102440763C	ATCRL 6009 23 X 26 X 6,00 DR DMO E 1.1/2 EXP S-0124
0102440781	ATCRL 6009 23 X 26 X 6,00 DR DMO E 1.1/2 S-0124
0102440739	ATCRL 6009 23 X 26 X 6,00 DR DMO E 1.1/2 S-0124
0102440763	ATCRL 6009 23 X 26 X 6,00 DR DMO E 1.1/2 S-0124
0102440731	ATCRL 6009 24 X 24 X 4,75 DR DMO E 1.1/2 ESP S-0124
0102440667C	ATCRL 6009 24 X 24 X 4,75 DR DMO E 1.1/2 EXP S-0124
0102440667	ATCRL 6009 24 X 24 X 4,75 DR DMO E 1.1/2 S-0124
0102440679	ATCRL 6009 24 X 24 X 4,75 DRC DMO E 1.1/2 S-0124
0102440700C	ATCRL 6009 24 X 24 X 6,00 DR DMO E 1.1/2 EXP S-0124
0102440700	ATCRL 6009 24 X 24 X 6,00 DR DMO E 1.1/2 S-0124
0102440693	ATCRL 6009 24 X 24 X 6,00 DRC DMO E 1.1/2 S-0124
0102440704C	ATCRL 6009 24 X 24 X 6,00 MT DMO E 1.1/2 EXP S-0124
0102440704	ATCRL 6009 24 X 24 X 6,00 MT DMO E 1.1/2 S-0124
0102440684C	ATCRL 6009 24 X 26 X 4,75 DR DMO E 1.1/2 EXP S-0124
0102440775	ATCRL 6009 24 X 26 X 4,75 DR DMO E 1.1/2 FF S-0124
0102440684	ATCRL 6009 24 X 26 X 4,75 DR DMO E 1.1/2 S-0124
0102440750	ATCRL 6009 24 X 26 X 4,75 DR DMO E 1.1/2 S/PN S-0124
0102440758C	ATCRL 6009 24 X 26 X 6,00 DR DMO E 1.1/2 EXP EXP S-0124
0102440676C	ATCRL 6009 24 X 26 X 6,00 DR DMO E 1.1/2 EXP S-0124
0102440676	ATCRL 6009 24 X 26 X 6,00 DR DMO E 1.1/2 S-0124
0102440758	ATCRL 6009 24 X 26 X 6,00 DR DMO E 1.1/2 S/PN S-0124
0102440697C	ATCRL 6009 25 X 24 X 4,75 DR DMO E 1.1/2 EXP S-0124
0102440748C	ATCRL 6009 25 X 24 X 4,75 DR DMO E 1.1/2 EXP S-0124
0102440748	ATCRL 6009 25 X 24 X 4,75 DR DMO E 1.1/2 S-0124
0102440697	ATCRL 6009 25 X 24 X 4,75 DR DMO E 1.1/2 S-0124

## ATTENTION: IMPORTANT

Marchesan S.A. reserves the right to improve and/or modify the technical features of its products, without obligation to do the same with those products already sold and without prior knowledge of the dealer or the customer. The photos are only illustrative.



# PRODUCTS

0102440780C	ATCRL 6009 25 X 26 X 6,00 DR DMO E 1.1/2 EXP S-0124
0102440766C	ATCRL 6009 25 X 26 X 6,00 DR DMO E 1.1/2 EXP S-0124
0102440780	ATCRL 6009 25 X 26 X 6,00 DR DMO E 1.1/2 S-0124
0102440741	ATCRL 6009 25 X 26 X 6,00 DR DMO E 1.1/2 S-0124
0102440766	ATCRL 6009 25 X 26 X 6,00 DR DMO E 1.1/2 S-0124
0102440760	ATCRL 6009 26 X 24 X 6,00 DR DMO E 1.1/2 C/ET S-0124
0102440760C	ATCRL 6009 26 X 24 X 6,00 DR DMO E 1.1/2 ESP EXP S-0124
0102440761C	ATCRL 6009 26 X 26 X 6,00 DR DMO E 1.1/2 ESP EXP S-0124
0102440761	ATCRL 6009 26 X 26 X 6,00 DR DMO E 1.1/2 ESP S-0124
0102440732	ATCRL 6009 28 X 24 X 4,75 DR DMO E 1.1/2 ESP S-0124
0102440668C	ATCRL 6009 28 X 24 X 4,75 DR DMO E 1.1/2 EXP S-0124
0102440668	ATCRL 6009 28 X 24 X 4,75 DR DMO E 1.1/2 S-0124
0102440708	ATCRL 6009 28 X 24 X 4,75 DRC DMO E 1.1/2 S-0124
0102440736C	ATCRL 6009 28 X 24 X 6,00 MT DMO E 1.1/2 EXP S-0124
0102440736	ATCRL 6009 28 X 24 X 6,00 MT DMO E 1.1/2 S-0124
0102440685C	ATCRL 6009 28 X 26 X 4,75 DR DMO E 1.1/2 EXP S-0124
0102440685	ATCRL 6009 28 X 26 X 4,75 DR DMO E 1.1/2 S-0124
0102440744	ATCRL 6009 28 X 26 X 4,75 DR DMO E 1.1/2 S/PN S-0124
0102440744C	ATCRL 6009 28 X 26 X 4,75 DR DMO E 1.1/2 ESP EXP S-0124
0102440762C	ATCRL 6009 28 X 26 X 6,00 DR DMO E 1.1/2 ESP EXP S-0124
0102440677C	ATCRL 6009 28 X 26 X 6,00 DR DMO E 1.1/2 EXP S-0124
0102440677	ATCRL 6009 28 X 26 X 6,00 DR DMO E 1.1/2 S-0124
0102440762	ATCRL 6009 28 X 26 X 6,00 DR DMO E 1.1/2 S/PN S-0124
0102440711C	ATCRL 6009 29 X 24 X 4,75 DR DMO E 1.1/2 EXP S-0124
0102440749C	ATCRL 6009 29 X 24 X 4,75 DR DMO E 1.1/2 EXP S-0124
0102440749	ATCRL 6009 29 X 24 X 4,75 DR DMO E 1.1/2 S-0124
0102440711	ATCRL 6009 29 X 24 X 4,75 DR DMO E 1.1/2 S-0124
0102440717	ATCRL 6009 29 X 24 X 6,00 DRC DMO E 1.1/2 S-0124
0102440765C	ATCRL 6009 29 X 26 X 6,00 DR DMO E 1.1/2 EXP S-0124
0102440712	ATCRL 6009 29 X 26 X 6,00 DR DMO E 1.1/2 S-0124
0102440765	ATCRL 6009 29 X 26 X 6,00 DR DMO E 1.1/2 S-0124

## ATTENTION: IMPORTANT

Marchesan S.A. reserves the right to improve and/or modify the technical features of its products, without obligation to do the same with those products already sold and without prior knowledge of the dealer or the customer. The photos are only illustrative.



# PRODUCTS

0102440669	ATCRL 6009 32 X 24 X 4,75 DR DMO E 1.1/2 S-0124
0102440709	ATCRL 6009 32 X 24 X 4,75 DRC DMO E 1.1/2 S-0124
0102440706	ATCRL 6009 32 X 24 X 6,00 DRC DMO E 1.1/2 S-0124
0102440686C	ATCRL 6009 32 X 26 X 4,75 DR DMO E 1.1/2 EXP S-0124
0102440686	ATCRL 6009 32 X 26 X 4,75 DR DMO E 1.1/2 S-0124
0102440753	ATCRL 6009 32 X 26 X 4,75 DR DMO E 1.1/2 S/PN S-0124
0102440759C	ATCRL 6009 32 X 26 X 6,00 DR DMO E 1.1/2 ESP EXP S-0124
0102440675C	ATCRL 6009 32 X 26 X 6,00 DR DMO E 1.1/2 EXP S-0124
0102440675	ATCRL 6009 32 X 26 X 6,00 DR DMO E 1.1/2 S-0124
0102440759	ATCRL 6009 32 X 26 X 6,00 DR DMO E 1.1/2 S/PN S-0124
0102440713	ATCRL 6009 33 X 24 X 4,75 DR DMO E 1.1/2 S-0124
0102440740	ATCRL 6009 33 X 26 X 6,00 DR DMO E 1.1/2 S-0124
0102440670	ATCRL 6009 36 X 24 X 4,75 DR DMO E 1.1/2 S-0124
0102440727	ATCRL 6009 36 X 24 X 6,00 DRC DMO E 1.1/2 S-0124
0102440756	ATCRL 6009 36 X 26 X 4,75 DL DMO E 1.1/2 S/PN S-0124
0102440687C	ATCRL 6009 36 X 26 X 4,75 DR DMO E 1.1/2 EXP S-0124
0102440687	ATCRL 6009 36 X 26 X 4,75 DR DMO E 1.1/2 S-0124
0102440755	ATCRL 6009 36 X 26 X 4,75 DR DMO E 1.1/2 S/PN S-0124
0102440738	ATCRL 6009 36 X 26 X 4,75 DR DMO E 1.1/2 S/PN S-0124
0102440738C	ATCRL 6009 36 X 26 X 4,75 DR DMO E 1.1/2 ESP EXP S-0124
0102440755C	ATCRL 6009 36 X 26 X 4,75 DR DMO E 1.1/2 ESP EXP S-0124
0102440752C	ATCRL 6009 36 X 26 X 6,00 DR DMO E 1.1/2 ESP EXP S-0124
0102440694C	ATCRL 6009 36 X 26 X 6,00 DR DMO E 1.1/2 EXP S-0124
0102440694	ATCRL 6009 36 X 26 X 6,00 DR DMO E 1.1/2 S-0124
0102440752	ATCRL 6009 36 X 26 X 6,00 DR DMO E 1.1/2 S/PN S-0124
0102440714	ATCRL 6009 37 X 24 X 4,75 DR DMO E 1.1/2 S-0124

## ATTENTION: IMPORTANT

Marchesan S.A. reserves the right to improve and/or modify the technical features of its products, without obligation to do the same with those products already sold and without prior knowledge of the dealer or the customer. The photos are only illustrative.



**MARCHESAN**

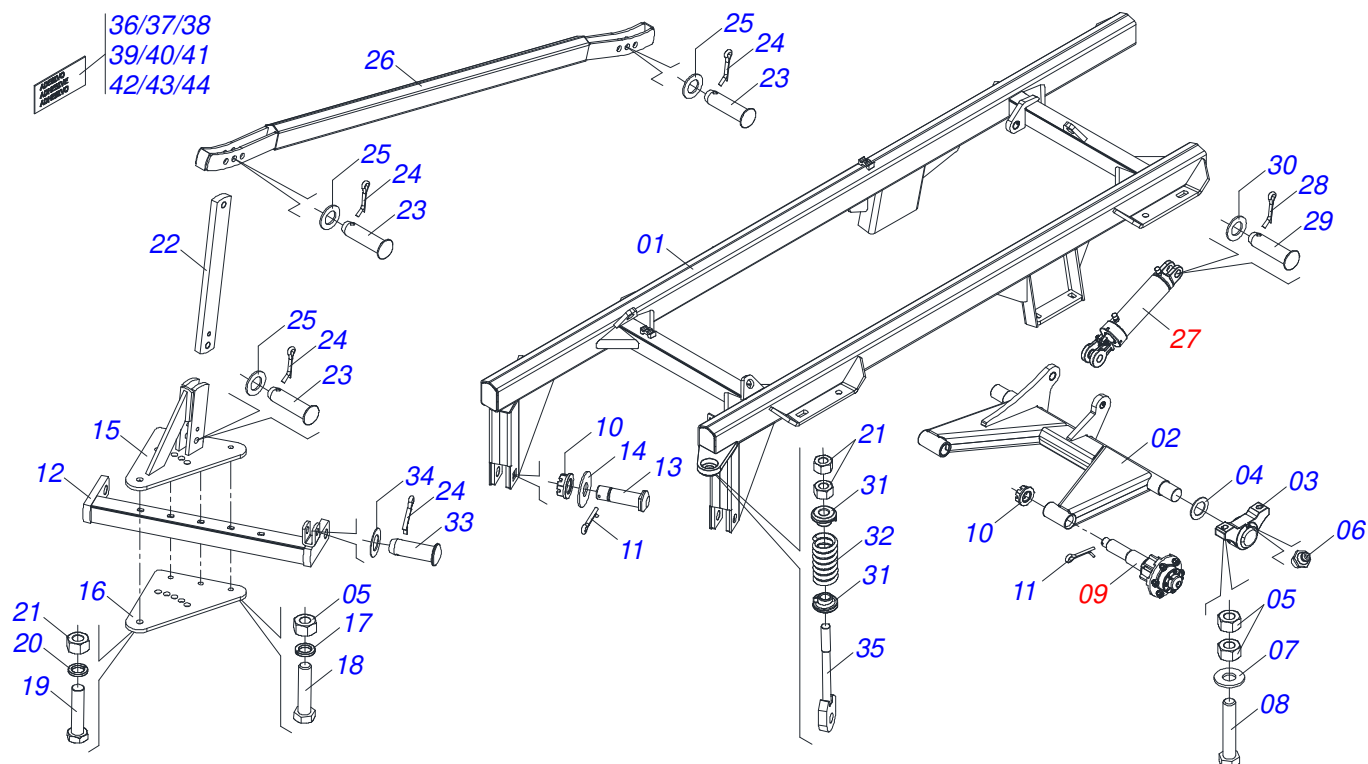
# INDEX

0909097116	FRAME ASSY - 14/16/18/19/20/21/22/23/24/25D	.....	1
0501043803	ASSY FRAME - 14/16D	.....	2
0511058298	HYDRAULIC CYLINDER 44,45 X 85,7 X 515 X 203	.....	3
0501043654	FRAME ASSY - 18/19/20/21/22/23/24/25D	.....	4
0511059180	HYDRAULIC CYLINDER 50,80 X 101,60 X 515 X 203	.....	5
0501051634	STUB SHAFT HUB ASSY	.....	6
0501051142	CARRYING WHEEL HUB	.....	7
0511045933	FRAME ASSY - 20/24D (11L-15)	.....	8
0501054931	STUB SHAFT & HUB	.....	9
0501041096	DRAWBAR ASSY	.....	10
0501044596	DRAWBAR ASSY	.....	11
0503060094	WHEEL AND TIRE ASSY	.....	12
0503060091	L 29.5" X 0.63"-10L WHEEL AND TIRE ASSY	.....	13
0503060181	WHEEL AND TIRE	.....	14
0501040257	3/4" X 38" HOSE SUPPORT ASSY	.....	15
0501053834	MALE QUICK COUPLER	.....	16
0503062157	DRAWBAR JACK	.....	17
0909097118	FRAME ASSY - 26/28/29/32/33/36/37D	.....	18
0531040089	FRAME ASSY - 26D	.....	19
0501055300	WHEEL WITHOUT TIRE	.....	20
0511045932	FRAME ASSY - 28D (11L-15)	.....	21
0501044123	FRAME ASSY - 28/29/32/33/36/37D	.....	22
0521057318	HITCH HITCH 25.4 X 152.4 WITH LOCK	.....	23
0909097117	DISC GANG - 14/16/18/19/20/21/22/23/24/25D	.....	24
0909097119	DISC GANG - 26/28/29/32/33/36/37D	.....	25
0521047184	DMO 225 X 1.1/2 AGRICULTURAL BEARING	.....	26
0521050837	DMO 225 X 1.1/2 IMP AGRICULTURAL BEARING	.....	27









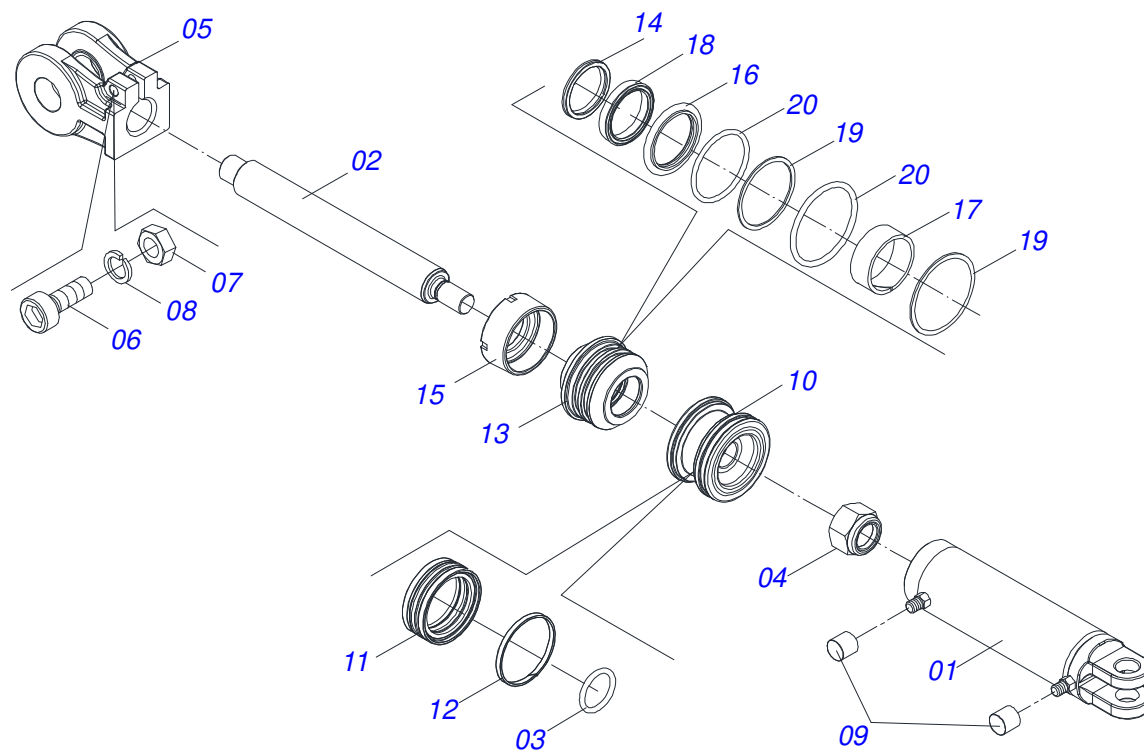
Item	Code	Description	See page	QT
01	0511066918	FRAME		01
02	0501066950	CARRYING-WHEELS		01
03	0501110856	ARTICULATION BEARING		02
04	0501017579	FLAT WASHER		02
05	0503010014	3/4" ZN G.5 (HEAVY) UNC HEX NUT		11
06	0503010002	1800 GREASE FITTING		02
07	0501010322	20,50 X 46 X 4,00 ZN FLAT WASHER		04
08	0503010797	3/4" X 4" BOLT		04
09	0501051634	STUB SHAFT HUB ASSY	6	02
10	0501011301	1.1/2" UNC 6FPP 2.5/16" NUT		04
11	0503010010	SPLIT PIN 1/4" X 2.1/2"		04
12	0501060370	OFFSET BAR		01
13	0521017538	11-1/2" X 5" COUPLING SHAFT		02
14	0511019880	FLAT WASHER		02
15	0501066099	UPPER PLATE WITH SUPPORT		01
16	0501010241	UPPER /LOWER PLATE		01
17	0503011442	3/4" SPRING WASHER		03
18	0503011198	BOLT 3/4" UNC X 6" CS G.5		03
19	0501010060	1" X 6-1/2" BOLT		02
20	0503011438	SPRING WASHER		02
21	0501010059	1.5/8 NUT		04
22	0511012972	STABILIZER BAR TOWER		01
23	0521010576	0.9" X 3.7" COUPLING SHAFT		03
24	0503010571	1/4" X 1.1/2" SPLIT PIN		04
25	0501011445	FLAT WASHER		03
26	0511066932	STABILIZER BAR		01
27	0511058298	HYDRAULIC CYLINDER 44,45 X 85,7 X 515 X 203	3	01
28	0503010523	1/4" X 2" SPLIT PIN		02
29	0521010779	31.75 X 95 COUPLING SHAFT		02
30	0501017779	FLAT WASHER 32 X 60 X 4,75		02
31	1902020392	SPRING SUPPORT		02
32	0503030441	12.7" X 5.7" X 0.5" SPRING		01



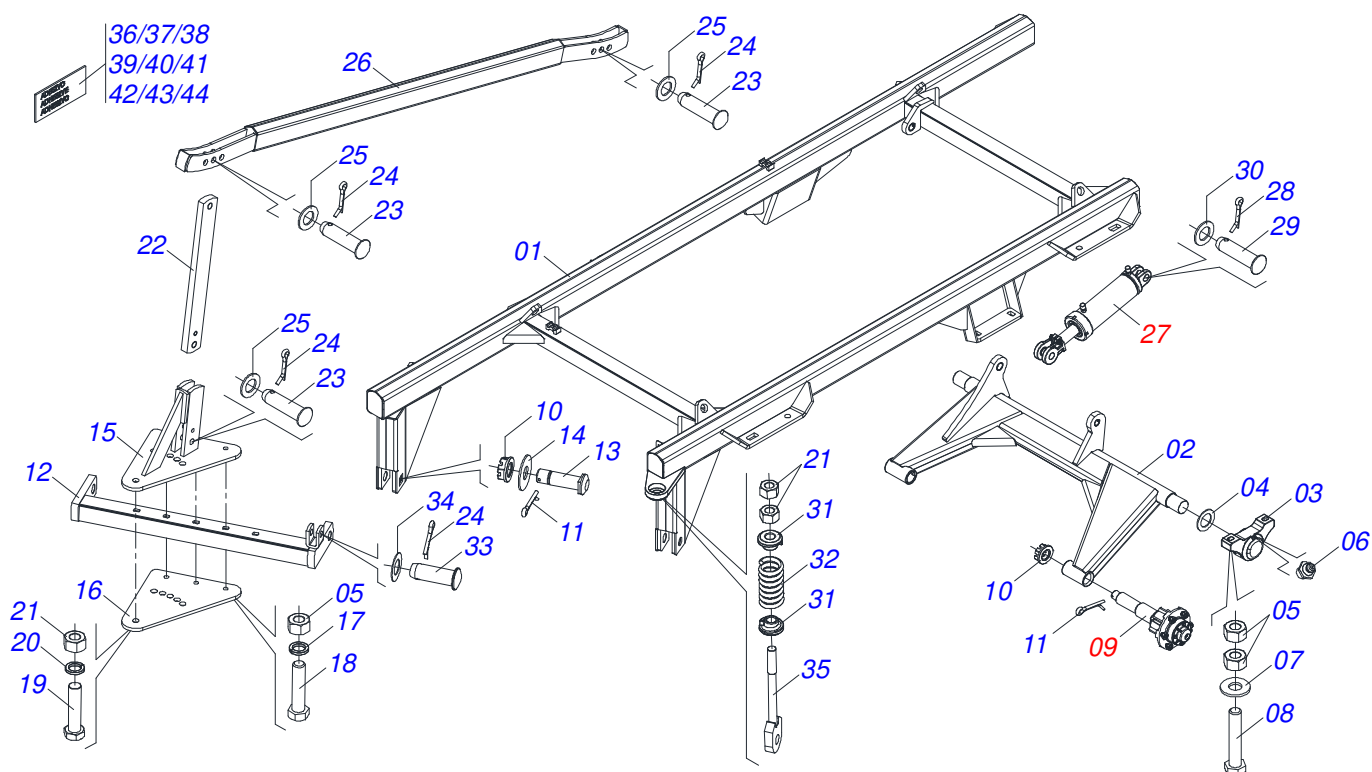
ASSY FRAME - 14/16D

0501043803

Item	Code	Description	See page	QT
33	0521010592	1.1" X 3.1" COUPLING SHAFT		01
34	0561011883	FLAT WASHER		01
35	0501064698	SPRING ROD		01
36	0503031428	READ MANUAL DECAL		01
37	0503031087	AUTO CONTROL APPROVED DECAL		01
38	0503031827	LUBRICATE AND RETIGHTEN DAILY DECAL		01
39	0503061529	ATCRL 6009 DECAL ASSY		01
40	0503034499	HOSE IDENTIFICATION DECAL		01
41	0503034078	LIFTING POINTS DECAL		03
42	0503031738	WARNING DECAL		01
43	0503033038	DANGER DECAL		01
44	0503031739	DANGER DECAL		01



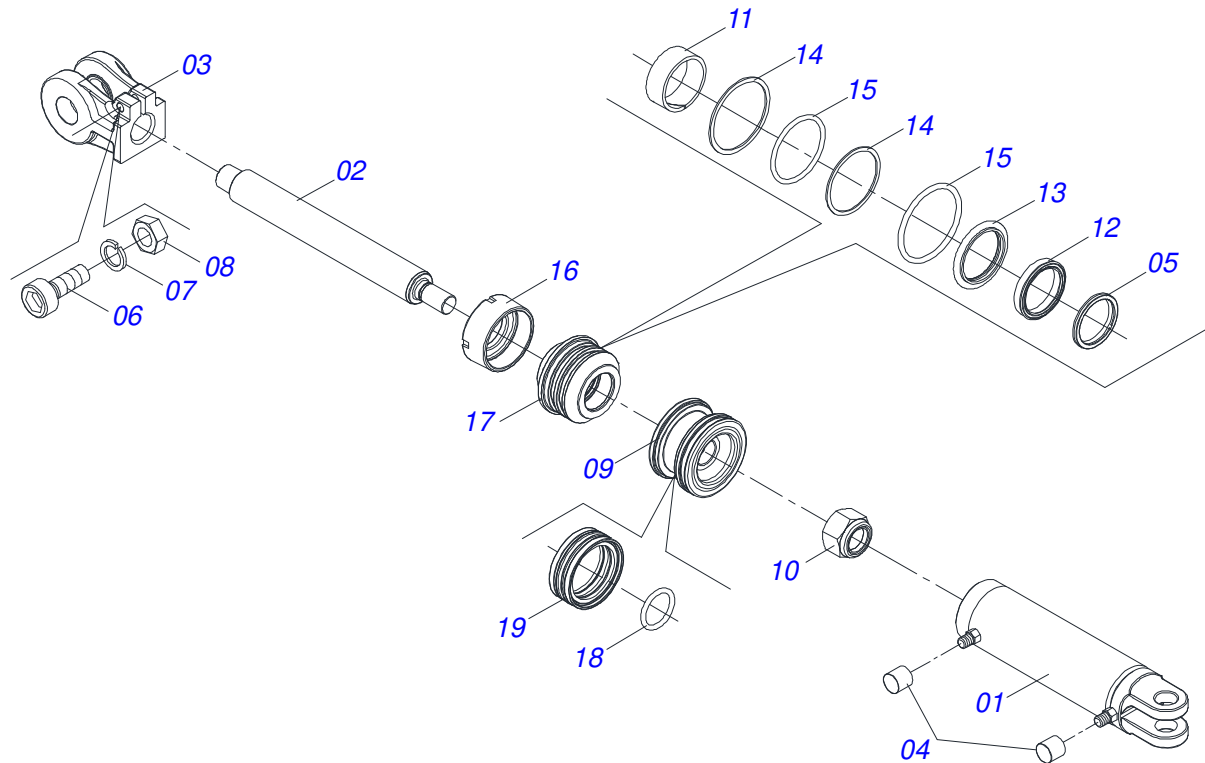
Item	Code	Description	See page	QT
01	0511061588	3.4" X 16" CYLINDER CASE		01
02	0521010421	HYDRAULIC CYLINDER TURNBUCKLE		01
03	0503010042	2-214 N 3006-9B O'RING		01
04	0503010063	1" SELF-ALIGNING NUT		01
05	0502040747	32.54 CLEVIS CLAMP		01
06	0503011094	BOLT 3/8" UNC X 2" C C S I 12.9		01
07	0503010026	3/8" NUT		01
08	0503010025	3/8 SPRING WASHER		01
09	0503030385	CYLINDER PLUG N-002		02
10	0571019710	1.7" X 3.4" PISTON		01
11	0503017935	RING		01
12	0503018144	RING		01
13	0571019711	RING SUPPORT		01
14	0503010761	D-1750 SCRAPER RING		01
15	0571019709	DETACHABLE COVER		01
16	0503017936	RING		01
17	0503017938	RING GUIDE		01
18	0503017937	GASKET		01
19	0503017940	8-337 BACK-UP RING		02
20	0503017939	2-337 N 3006-9B O' RING		02



Item	Code	Description	See page	QT
01	0501065311	FRAME		01
02	0501065518	CARRYING-WHEELS		01
03	0501110856	ARTICULATION BEARING		02
04	0501017579	FLAT WASHER		02
05	0503010014	3/4" ZN G.5 (HEAVY) UNC HEX NUT		11
06	0503010002	1800 GREASE FITTING		02
07	0501010322	20,50 X 46 X 4,00 ZN FLAT WASHER		04
08	0503010797	3/4" X 4" BOLT		04
09	0501051634	STUB SHAFT HUB ASSY	6	02
10	0501011301	1.1/2" UNC 6FPP 2.5/16" NUT		04
11	0503010010	SPLIT PIN 1/4" X 2.1/2"		04
12	0501063260	OFFSET BAR		01
13	0521017538	11-1/2" X 5" COUPLING SHAFT		02
14	0511019880	FLAT WASHER		02
15	0501066099	UPPER PLATE WITH SUPPORT		01
16	0501010241	UPPER /LOWER PLATE		01
17	0503011442	3/4" SPRING WASHER		03
18	0503011198	BOLT 3/4" UNC X 6" CS G.5		03
19	0501010060	1" X 6-1/2" BOLT		02
20	0503011438	SPRING WASHER		02
21	0501010059	1.5/8 NUT		04
22	0511012972	STABILIZER BAR TOWER		01
23	0521010576	0.9" X 3.7" COUPLING SHAFT		03
24	0503010571	1/4" X 1.1/2" SPLIT PIN		04
25	0501011445	FLAT WASHER		03
26	0511066932	STABILIZER BAR		01
27	0511059180	HYDRAULIC CYLINDER 50,80 X 101,60 X 515 X 203	5	01
28	0503010523	1/4" X 2" SPLIT PIN		02
29	0521010779	31.75 X 95 COUPLING SHAFT		02
30	0501017779	FLAT WASHER 32 X 60 X 4,75		02
31	1902020392	SPRING SUPPORT		02
32	0503030441	12.7" X 5.7" X 0.5" SPRING		01

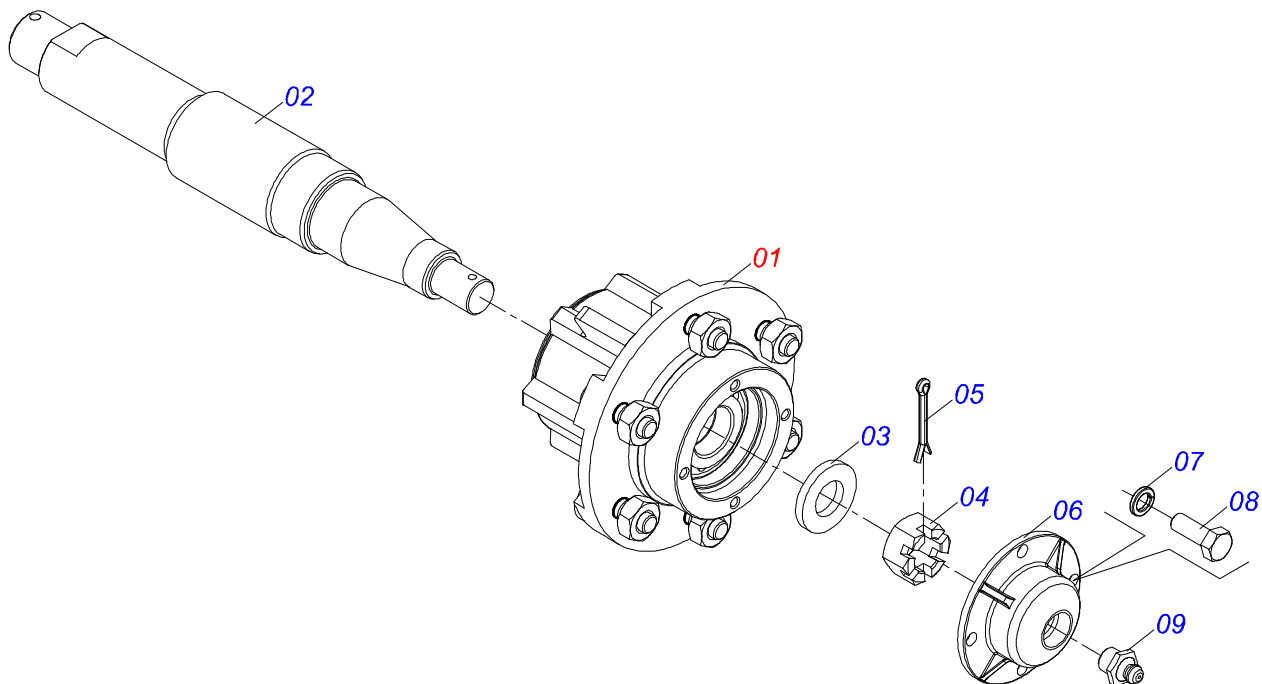


Item	Code	Description	See page	QT
33	0521010592	1.1" X 3.1" COUPLING SHAFT		01
34	0561011883	FLAT WASHER		01
35	0501064698	SPRING ROD		01
36	0503031428	READ MANUAL DECAL		01
37	0503031087	AUTO CONTROL APPROVED DECAL		01
38	0503031827	LUBRICATE AND RETIGHTEN DAILY DECAL		01
39	0503061529	ATCRL 6009 DECAL ASSY		01
40	0503034499	HOSE IDENTIFICATION DECAL		01
41	0503034078	LIFTING POINTS DECAL		04
42	0503031738	WARNING DECAL		01
43	0503033038	DANGER DECAL		01
44	0503031739	DANGER DECAL		01



Item	Code	Description	See page	QT
01	0511070658	CYLINDER CASE		01
02	0571019958	HYDRAULIC CYLINDER TURNBUCKLE		01
03	0502040747	32.54 CLEVIS CLAMP		01
04	0503030385	CYLINDER PLUG N-002		02
05	0503010039	D-2000 SCRAPER RING		01
06	0503011094	BOLT 3/8" UNC X 2" C C S I 12.9		01
07	0503011443	SPRING WASHER 3/8"		01
08	0503010026	3/8" NUT		01
09	0502012820	2" X 4" PISTON		01
10	0503010817	SELF LOCKING NUT 1.1/4 UNF ALTA G.5 ZN		01
11	0503018025	RING GUIDE W2-2250-750		01
12	0503018026	GASKET 1870-2000-375 B POLYMAX		01
13	0503018024	RING BS OD050805200171D-BR		01
14	0503010338	2-342 N 3006-9B O-RING		02
15	0503011061	8-342 BACK-UP RING		02
16	0502012822	END CAP 4"		01
17	0502012821	2" X 4" RING SUPPORT		01
18	0503018029	O-RING 2-217 N 3006 90B		01
19	0503015633	SELEMASTER SEALING		01

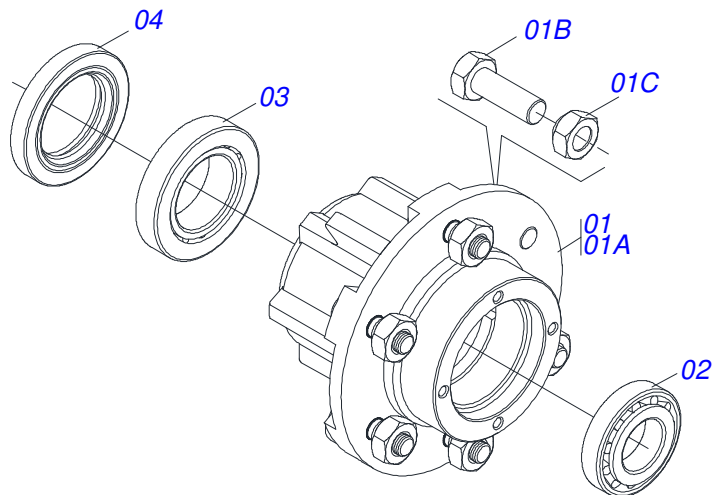
STUB SHAFT HUB ASSY



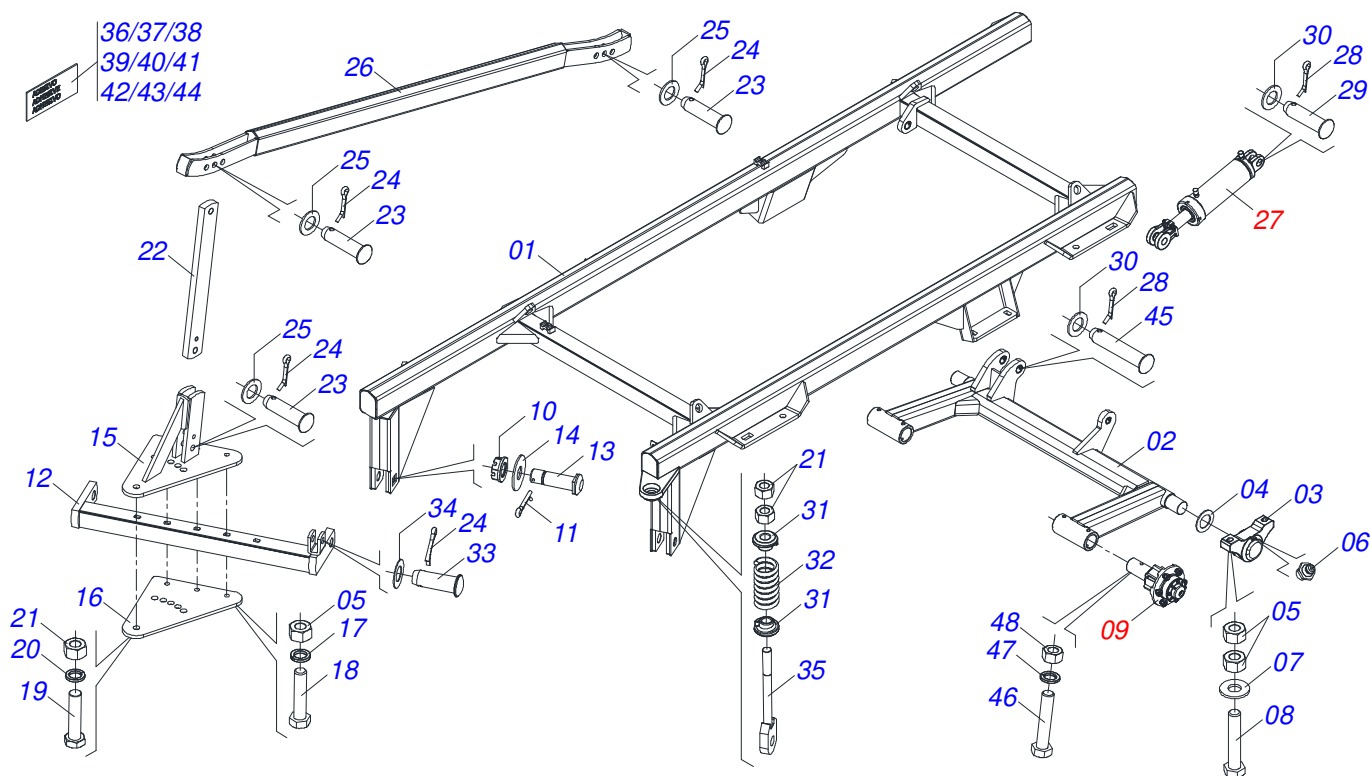
Item	Code	Description	See page	QT
01	0501051142	CARRYING WHEEL HUB	7	01
02	0521010821	2.5" X 16.5" AXLE		01
03	0501016545	FLAT WASHER		01
04	0503030009	1" CASTLE NUT		01
05	0503010018	5/32" X 1-1/2" SPLIT PIN		01
06	0502020591	PROTECCION COVER		01
07	0503011444	SPRING WASHER 5/16"		04
08	0503010358	5/16" X 5/8" BOLT		04
09	0503010002	1800 GREASE FITTING		01



CARRYING WHEEL HUB



Item	Code	Description	See page	QT
01	0501110728	WHEEL HUB		01
01A	0502011121	CARRYING WHEEL HUB		01
01B	0501010127	9/16" X 1-7/8" LUG BOLT		06
01C	0503010035	9/16" CONIC NUT		06
02	0503010037	30207 ROLLER BEARING		01
03	0503010006	32210 ROLLER BEARING		01
04	0503012928	SEAL		01

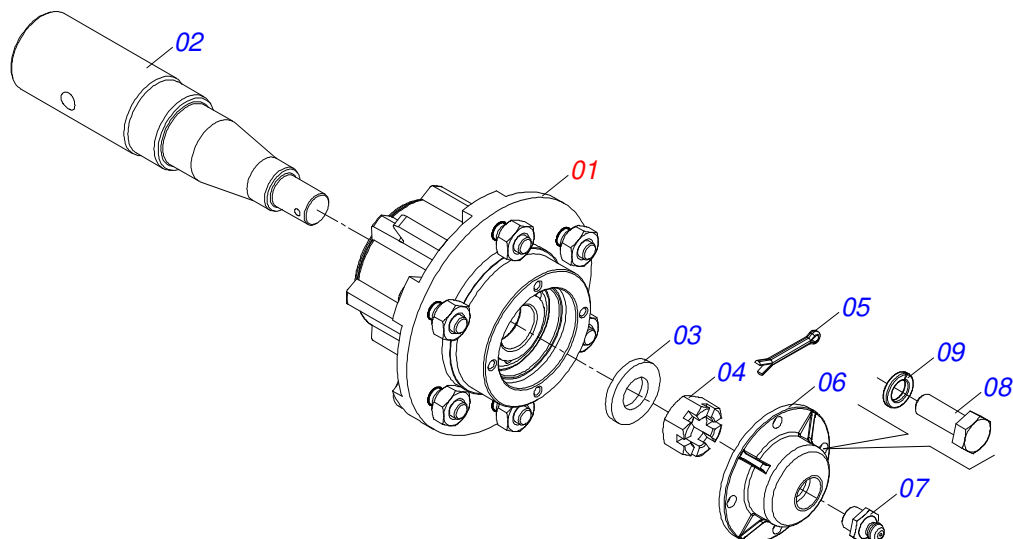


Item	Code	Description	See page	QT
01	0501065311	FRAME		01
02	0511065084	CARRYING-WHEELS SUPPORT		01
03	0501110856	ARTICULATION BEARING		02
04	0501017579	FLAT WASHER		02
05	0503010014	3/4" ZN G.5 (HEAVY) UNC HEX NUT		11
06	0503010002	1800 GREASE FITTING		02
07	0501010322	20,50 X 46 X 4,00 ZN FLAT WASHER		04
08	0503010797	3/4" X 4" BOLT		04
09	0501054931	STUB SHAFT & HUB	9	02
10	0501011301	1.1/2" UNC 6FPP 2.5/16" NUT		02
11	0503010010	SPLIT PIN 1/4" X 2.1/2"		02
12	0501063260	OFFSET BAR		01
13	0521017538	11-1/2" X 5" COUPLING SHAFT		02
14	0511019880	FLAT WASHER		02
15	0501066099	UPPER PLATE WITH SUPPORT		01
16	0501010241	UPPER /LOWER PLATE		01
17	0503011442	3/4" SPRING WASHER		03
18	0503011198	BOLT 3/4" UNC X 6" CS G.5		03
19	0501010060	1" X 6-1/2" BOLT		02
20	0503011438	SPRING WASHER		02
21	0501010059	1.5/8 NUT		04
22	0511012972	STABILIZER BAR TOWER		01
23	0521010576	0.9" X 3.7" COUPLING SHAFT		03
24	0503010571	1/4" X 1.1/2" SPLIT PIN		04
25	0501011445	FLAT WASHER		03
26	0511066932	STABILIZER BAR		01
27	0511059180	HYDRAULIC CYLINDER 50,80 X 101,60 X 515 X 203	5	01
28	0503010523	1/4" X 2" SPLIT PIN		02
29	0521010779	31.75 X 95 COUPLING SHAFT		01
30	0501017779	FLAT WASHER 32 X 60 X 4,75		02
31	1902020392	SPRING SUPPORT		02
32	0503030441	12.7" X 5.7" X 0.5" SPRING		01



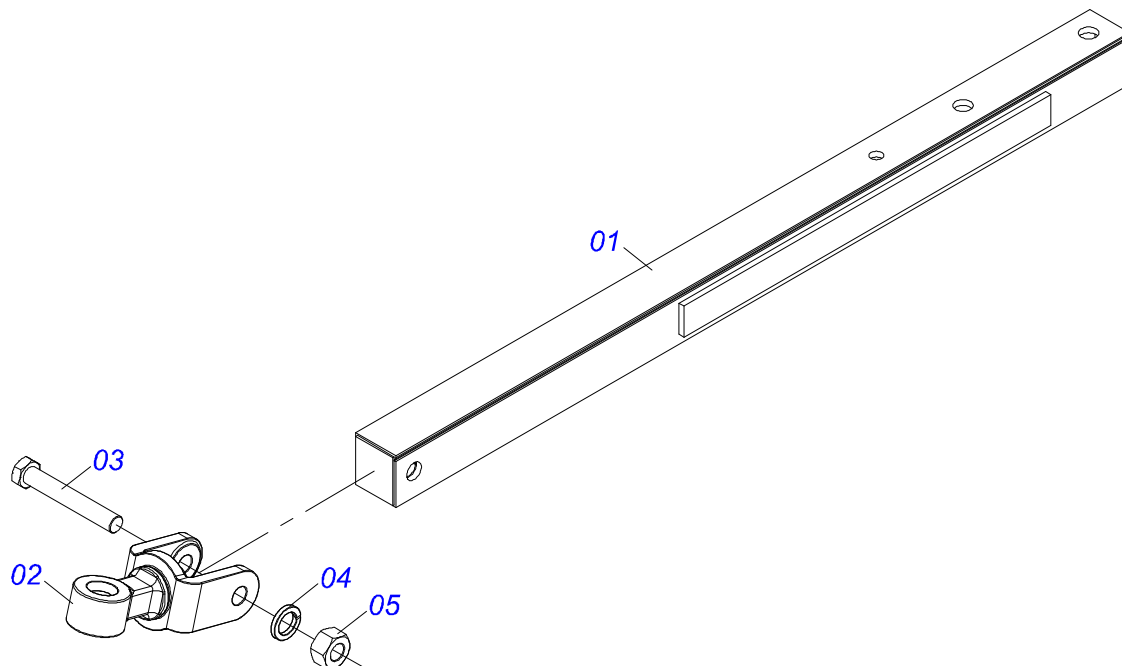
Item	Code	Description	See page	QT
33	0521010592	1.1" X 3.1" COUPLING SHAFT		01
34	0561011883	FLAT WASHER		01
35	0501064698	SPRING ROD		01
36	0503031428	READ MANUAL DECAL		01
37	0503031087	AUTO CONTROL APPROVED DECAL		01
38	0503031827	LUBRICATE AND RETIGHTEN DAILY DECAL		01
39	0503061529	ATCRL 6009 DECAL ASSY		01
40	0503034499	HOSE IDENTIFICATION DECAL		01
41	0503034078	LIFTING POINTS DECAL		04
42	0503031738	WARNING DECAL		01
43	0503033038	DANGER DECAL		01
44	0503031739	DANGER DECAL		01
45	0511010174	1.2" X 5.9" COUPLING SHAFT		01
46	0503010547	1/2" X 4" BOLT		02
47	0503011440	SPRING WASHER		02
48	0503010060	1/2 UNC G.5 ZN HEX NUT		02

STUB SHAFT & HUB



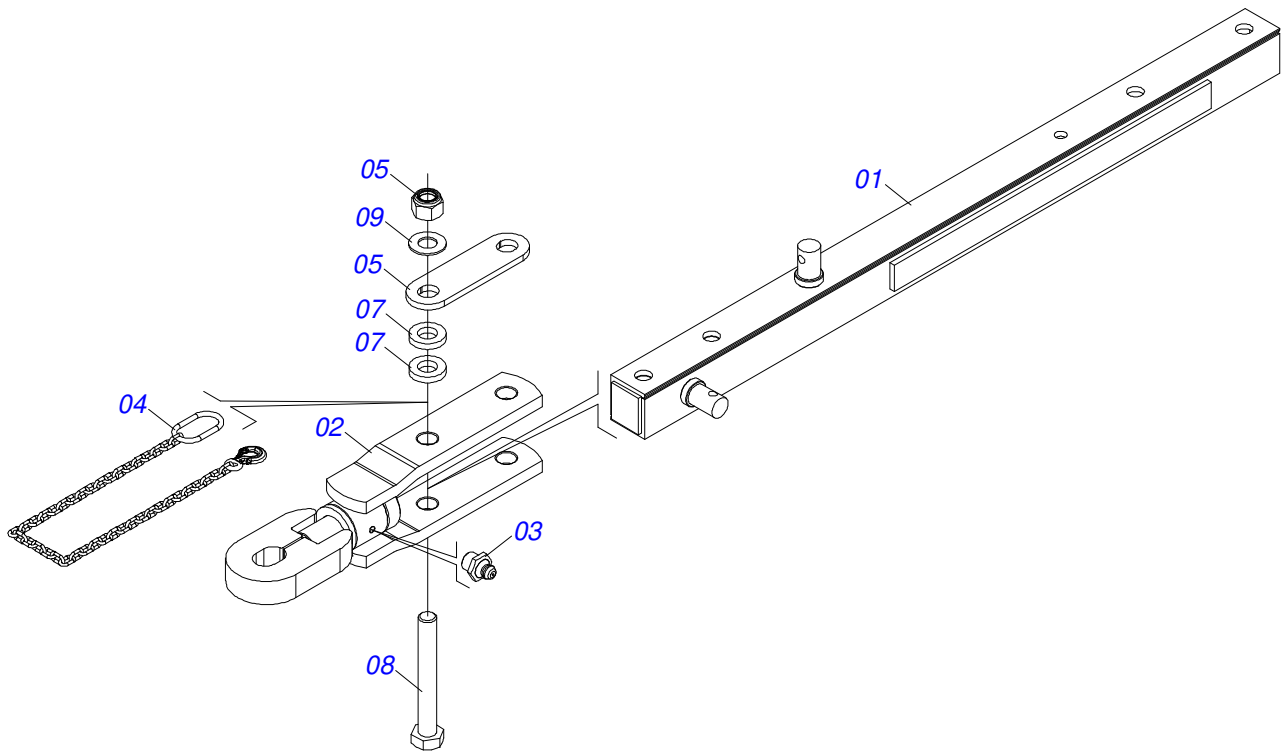
Item	Code	Description	See page	QT
01	0501051142	CARRYING WHEEL HUB	7	01
02	0541010739	2.5" X 12.2" AXLE		01
03	0501016545	FLAT WASHER		01
04	0503030009	1" CASTLE NUT		01
05	0503010018	5/32" X 1-1/2" SPLIT PIN		01
06	0502020591	PROTECCION COVER		01
07	0503010002	1800 GREASE FITTING		01
08	0503010358	5/16" X 5/8" BOLT		04
09	0503011444	SPRING WASHER 5/16"		04

**DRAWBAR ASSY**

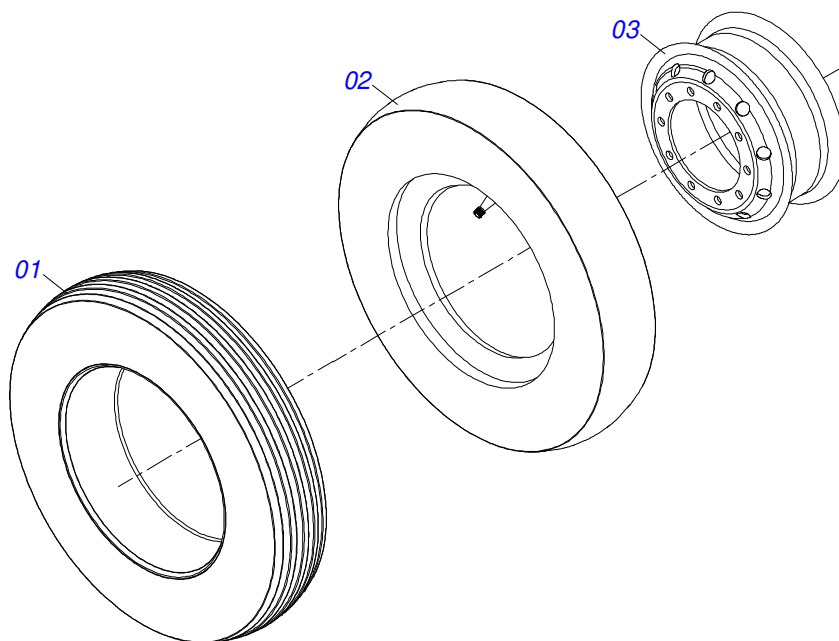


Item	Code	Description	See page	QT
01	0501060188	DRAWBAR ASSY		01
02	0521061775	TRACTOR HITCH		01
03	0501010060	1" X 6-1/2" BOLT		01
04	0503011438	SPRING WASHER		01
05	0501010059	1.5/8 NUT		01

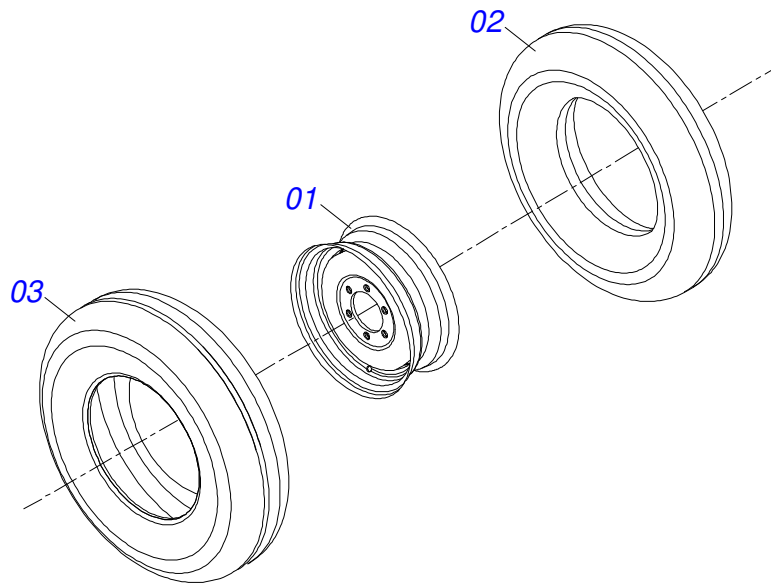
**DRAWBAR ASSY**



Item	Code	Description	See page	QT
01	0501066559	DRAWBAR		01
02	0501066560	TRACTOR HITCH		01
03	0503010002	1800 GREASE FITTING		01
04	0503019567	SECURITY CHAIN 1300 X 5/16 WITH HOOK / RING		01
05	0591014183	CURRENT FIXING PLATE		01
06	0503018754	NUT 1 - 8 UNC - 2B G8		02
07	0521012087	FLAT WASHER		04
08	0501010219	1" X 7-1/2" BOLT		02
09	0551014872	FLAT WASHER		02

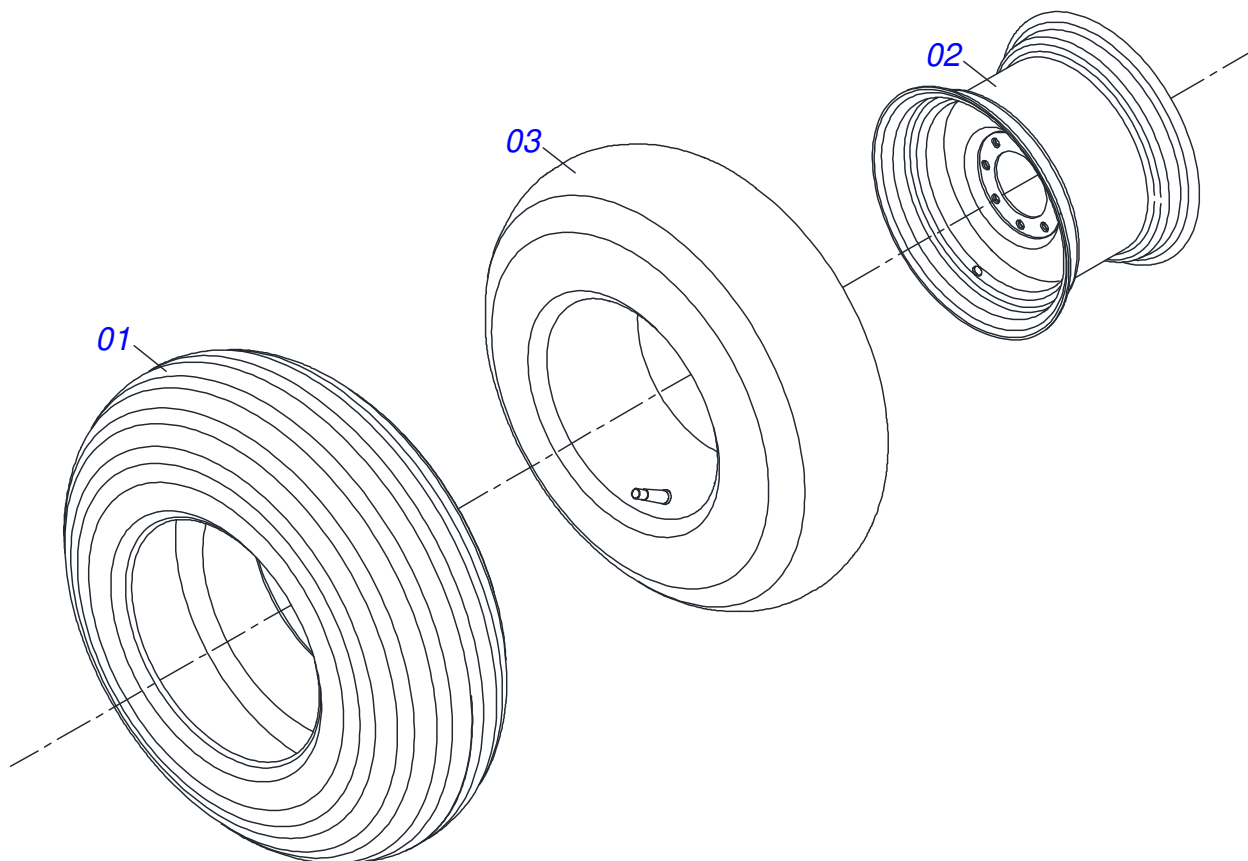


Item	Code	Description	See page	QT
01	0503010065	CANVAS TIRE		01
02	0503010068	6.00 X 16 INNER TIRE		01
03	0503010894	0.2"X0.6"X4.6"X6F0.6"X6" WHEEL		01

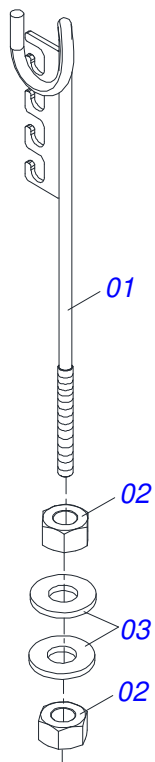


Item	Code	Description	See page	QT
01	0503010893	WHEEL		01
02	0503010033	7.50 X 16 INNER TIRE		01
03	0503010120	CANVAS TIRE		01



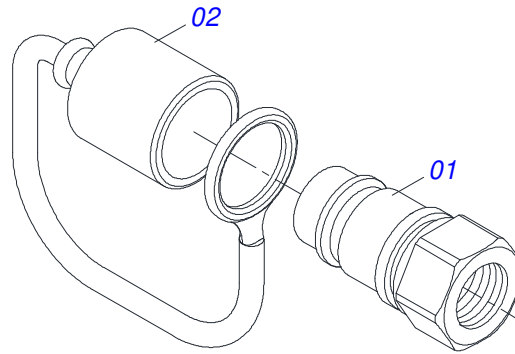


Item	Code	Description	See page	QT
01	0503010858	CANVAS TIRE		01
02	0503011468	WEEL		01
03	0503010860	AIR CHAMBER 11L 15		01



Item	Code	Description	See page	QT
01	0511067334	HOSE SUPPORT		01
02	0503010014	3/4" ZN G.5 (HEAVY) UNC HEX NUT		02
03	0501010322	20,50 X 46 X 4,00 ZN FLAT WASHER		02

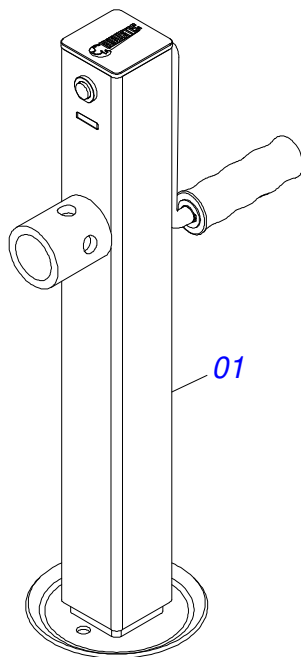
MALE QUICK COUPLER



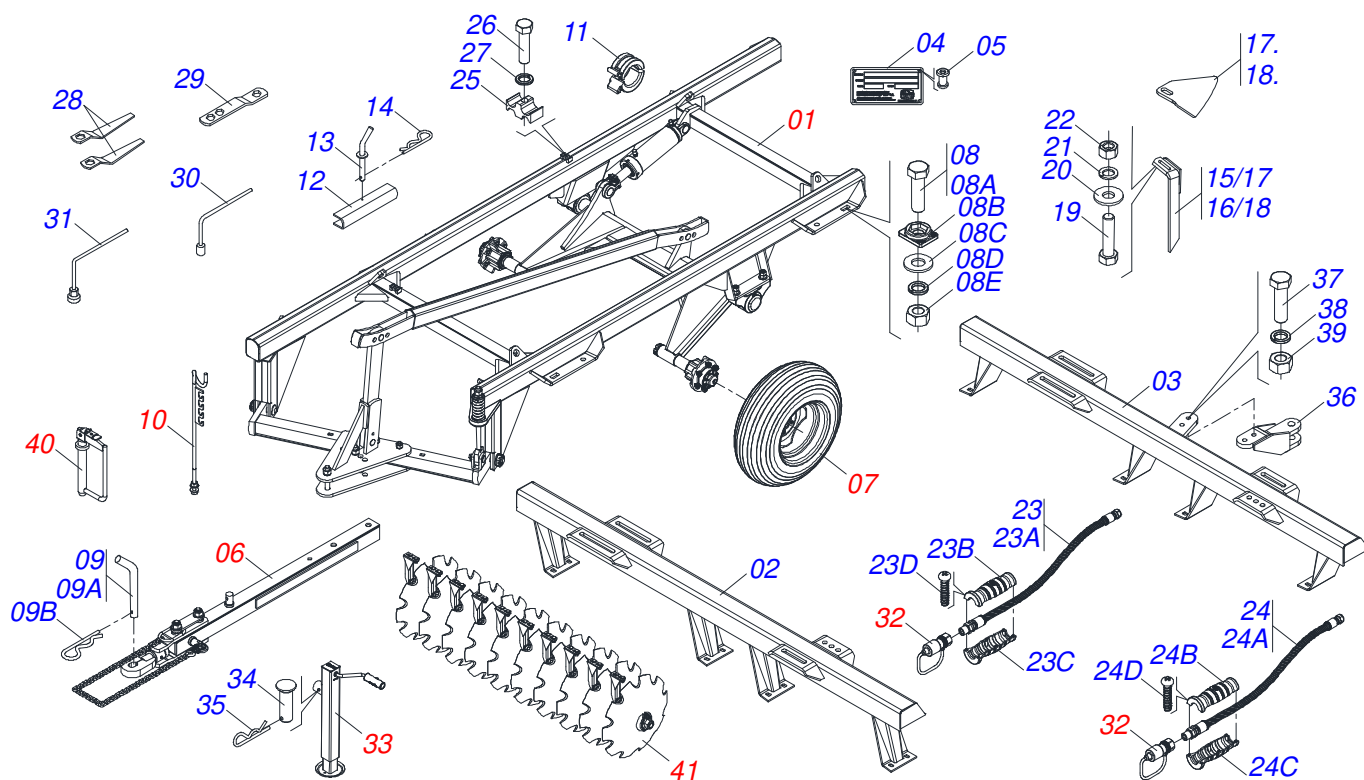
Item	Code	Description	See page	QT
01	0503011627	MALE QUICK COUPLER AGR 1/2 NPT		01
02	0503011882	MALE QUICK COUPLER CAP		01

**DRAWBAR JACK**

0503062157



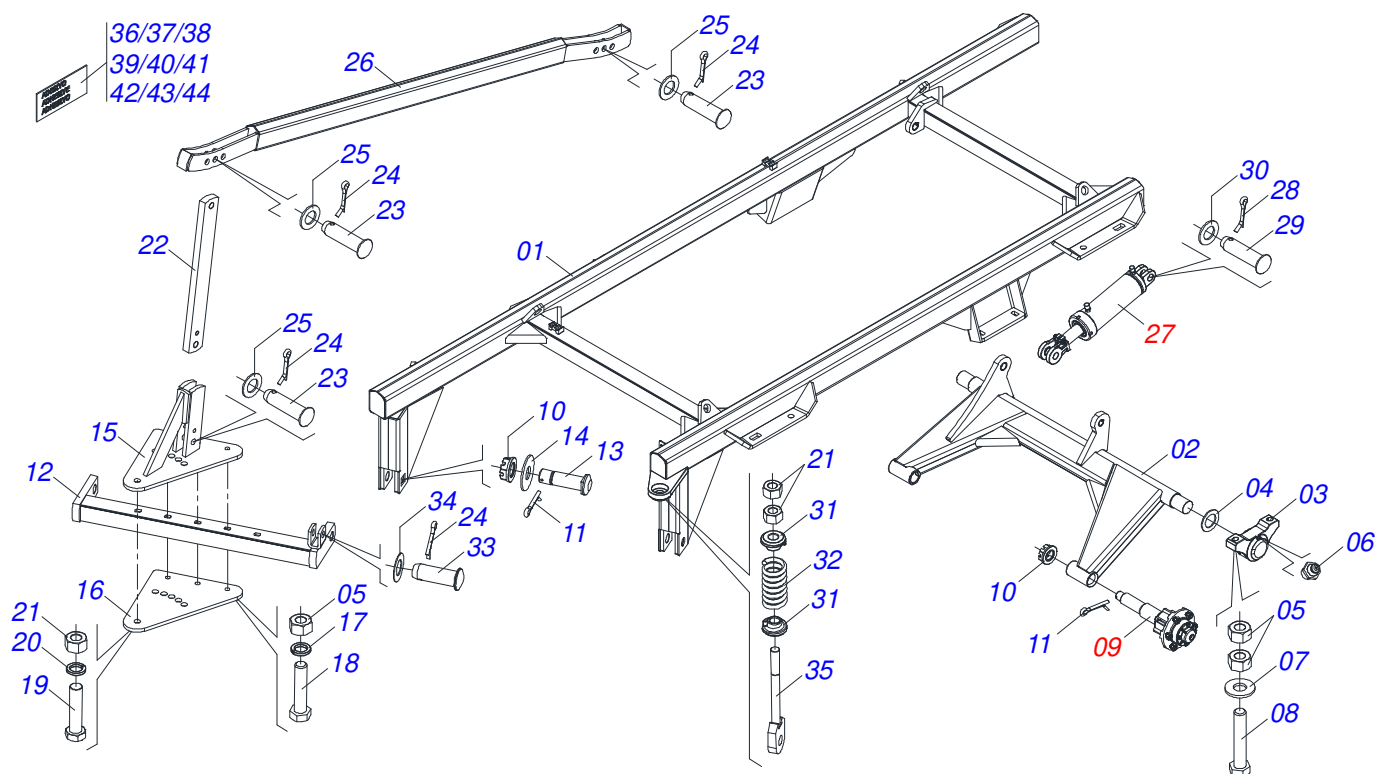
Item	Code	Description	See page	QT
01	0503062157	DRAWBAR JACK	17	01



Item	Code	Description	See page	26	28	29	32	33	36	37
01	0531040089	FRAME ASSY - 26D	19	01	00	00	00	00	00	00
01.	0511045932	FRAME ASSY - 28D (11L-15)	21	00	01	00	00	00	00	00
01..	0501044123	FRAME ASSY - 28/29/32/33/36/37D	22	00	01	01	01	01	01	01
02	0531061012	FRONT FRAME - 26D		01	00	00	00	00	00	00
02.	0501065809	FRONT FRAME - 28/29D		00	01	01	00	00	00	00
02..	0501066116	FRONT FRAME - 32/33D		00	00	00	01	01	00	00
02...	0501066118	FRONT FRAME - 36/37D		00	00	00	00	00	01	01
03	0531061014	REAR FRAME - 26D		01	00	00	00	00	00	00
03.	0501065810	REAR FRAME - 28D		00	01	00	00	00	00	00
03..	0511063797	REAR FRAME - 29D		00	00	01	00	00	00	00
03...	0501066117	REAR FRAME - 32D		00	00	00	01	00	00	00
03....	0511064147	REAR FRAME - 33D		00	00	00	00	01	00	00
03.....	0501066119	REAR FRAME - 36D		00	00	00	00	00	01	00
03.....	0511065001	REAR FRAME - 37D		00	00	00	00	00	00	01
04	0503034003	61 X 118 SERIAL NUMBER TAG		01	01	01	01	01	01	01
05	0503010001	RIVET 3,2 X 5,5		04	04	04	04	04	04	04
06	0501041096	DRAWBAR ASSY	10	00	01	01	01	01	01	01
06.	0501044596	DRAWBAR ASSY	11	01	01	00	01	00	01	00
07	0503060091	L 29.5" X 0.63"-10L WHEEL AND TIRE ASSY	13	02	02	02	02	02	02	02
07.	0503060181	WHEEL AND TIRE	14	00	02	00	00	00	00	00
08	0501040877	C1" X 3-1/4" BOLT ASSY		08	08	08	08	08	08	08
08A	0501010171	BOLT 1 UNC X 3.1/2 C S G.5		01	01	01	01	01	01	01
08B	0502012861	1" SQUARE WASHER		01	01	01	01	01	01	01
08C	0501010065	1" SPRING WASHER		01	01	01	01	01	01	01
08D	0503010012	1" SPRING WASHER		01	01	01	01	01	01	01
08E	0501010059	1.5/8 NUT		01	01	01	01	01	01	01
09	0501040343	HITCH AXIS ASSY		00	01	01	01	01	01	01
09A	0521010453	JOINT AXIS		00	01	01	01	01	01	01
09B	0503031035	HITCH PIN CLIP		00	01	01	01	01	01	01
10	0501040257	3/4" X 38" HOSE SUPPORT ASSY	15	01	01	01	01	01	01	01
11	0501047895	25 ROD STOP		04	04	04	04	04	04	04
12	0511010839	TRANSPORT LOCK 7.9" X 2.1" X 0.4"		01	01	01	01	01	01	01



Item	Code	Description	See page	26	28	29	32	33	36	37
13	0501068994	8,30 X 78 LOCK PIN		01	01	01	01	01	01	01
14	0503030168	HITCH PIN CLIP		01	01	01	01	01	01	01
15	0501064168	FRONT SCRAPER		08	09	09	11	11	11	11
16	0501064167	REAR SCRAPER		08	09	10	11	12	11	12
17	0501066449	CLEANER FRONT		00	04	04	04	04	06	06
17.	0581019572	FRONT CLEANER LEFT REAR (BEARING)		04	00	00	00	00	00	00
18	0501066450	CLEANER REAR		00	04	04	04	04	06	06
18.	0581019573	FRONT CLEANER/RIGHT REAR (BERING)		04	00	00	00	00	00	00
19	0503011082	C1/2" X 1.3/4" SCREW		32	52	54	60	62	68	70
20	0511017302	FLAT WASHER 13,50 X 32,50 X 3,0 ZN		32	52	54	60	62	68	70
21	0503010019	1/2" SPRING WASHER		32	52	54	60	62	68	70
22	0503010060	1/2 UNC G.5 ZN HEX NUT		32	52	54	60	62	68	70
23	0521055893	3/8" X 230" TR-TM BLACK/BLUE HOSE		01	01	01	01	01	01	01
23A	0501080421	3/8" X 230" TR-TM HOSE		01	01	01	01	01	01	01
23B	0503034494	HYDRAULIC HOSE GRIP (BLUE)		01	01	01	01	01	01	01
23C	0503034492	HYDRAULIC HOSE GRIP (BLACK)		01	01	01	01	01	01	01
23D	0503018952	PH 2,5 X 10 ZB PLASTIC BOLT		06	06	06	06	06	06	06
24	0521056233	3/8" X 236.22" TR-TM BLACK/RED HOSE		01	01	01	01	01	01	01
24A	0501080443	3/8" X 236.22" TR-TM HOSE		01	01	01	01	01	01	01
24B	0503034495	HYDRAULIC HOSE GRIP (RED)		01	01	01	01	01	01	01
24C	0503034492	HYDRAULIC HOSE GRIP (BLACK)		01	01	01	01	01	01	01
24D	0503018952	PH 2,5 X 10 ZB PLASTIC BOLT		06	06	06	06	06	06	06
25	0502012702	BODY SUPPORT CLAMP		02	02	02	02	02	02	02
26	0503012555	SCREW 7/16 UNC X 2 CS RT G.7 ZN		02	02	02	02	02	02	02
27	0503010180	7/16" SPRING WASHER		02	02	02	02	02	02	02
28	0501011432	1-1/2" AND 1-5/8 GANG BOLT WRENCH		02	02	02	02	02	02	02
29	0511018451	5/8" X 3/4" X 1" UNIVERSAL		01	01	01	01	01	01	01
30	0501068273	5/8" WRENCH		01	01	01	01	01	01	01
31	0501061617	1" GANG BOLT WRENCH		01	01	01	01	01	01	01
32	0501053834	MALE QUICK COUPLER	16	02	02	02	02	02	02	02
33	0503062157	DRAWBAR JACK	17	01	01	00	01	00	01	00
34	0521010549	COUPLING SHAFT		01	01	00	01	00	01	00
35	0503030168	HITCH PIN CLIP		01	01	00	01	00	01	00
36	0511064810	REAR HITCH		01	00	00	00	00	00	00
37	0503011346	7/8" X 3-1/2" BOLT		02	00	00	00	00	00	00
38	0503010408	7/8" SPRING WASHER		02	00	00	00	00	00	00
39	0503010417	7/8" NUT		02	00	00	00	00	00	00
40	0521057318	HITCH HITCH 25.4 X 152.4 WITH LOCK	23	01	00	00	00	00	00	00
41		DISC GANG - 26/28/29/32/33/36/37D	25							



Item	Code	Description	See page	QT
01	0501068765	FRAME		01
02	0501065518	CARRYING-WHEELS		01
03	0501110856	ARTICULATION BEARING		02
04	0501017579	FLAT WASHER		02
05	0503010014	3/4" ZN G.5 (HEAVY) UNC HEX NUT		11
06	0503010002	1800 GREASE FITTING		02
07	0501010322	20,50 X 46 X 4,00 ZN FLAT WASHER		04
08	0503010797	3/4" X 4" BOLT		04
09	0501055300	WHEEL WITHOUT TIRE	20	02
10	0501011301	1.1/2" UNC 6FPP 2.5/16" NUT		04
11	0503010010	SPLIT PIN 1/4" X 2.1/2"		04
12	0501063260	OFFSET BAR		01
13	0521017538	11-1/2" X 5" COUPLING SHAFT		02
14	0511019880	FLAT WASHER		02
15	0501066099	UPPER PLATE WITH SUPPORT		01
16	0501010241	UPPER /LOWER PLATE		01
17	0503011442	3/4" SPRING WASHER		03
18	0503011198	BOLT 3/4" UNC X 6" CS G.5		03
19	0501010060	1" X 6-1/2" BOLT		02
20	0503011438	SPRING WASHER		02
21	0501010059	1.5/8 NUT		04
22	0511012972	STABILIZER BAR TOWER		01
23	0521010576	0.9" X 3.7" COUPLING SHAFT		03
24	0503010571	1/4" X 1.1/2" SPLIT PIN		04
25	0501011445	FLAT WASHER		03
26	0511066932	STABILIZER BAR		01
27	0511059180	HYDRAULIC CYLINDER 50,80 X 101,60 X 515 X 203	5	01
28	0503010523	1/4" X 2" SPLIT PIN		02
29	0521010779	31.75 X 95 COUPLING SHAFT		02
30	0501017779	FLAT WASHER 32 X 60 X 4,75		02
31	1902020392	SPRING SUPPORT		02
32	0503030441	12.7" X 5.7" X 0.5" SPRING		01



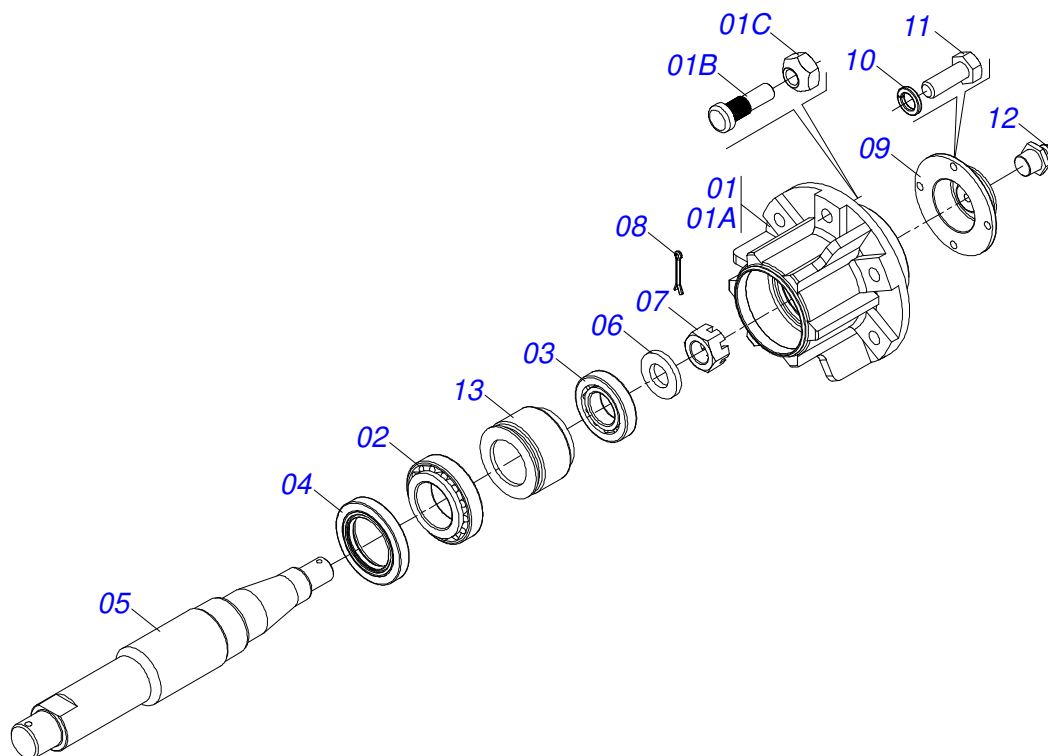
FRAME ASSY - 26D

0531040089

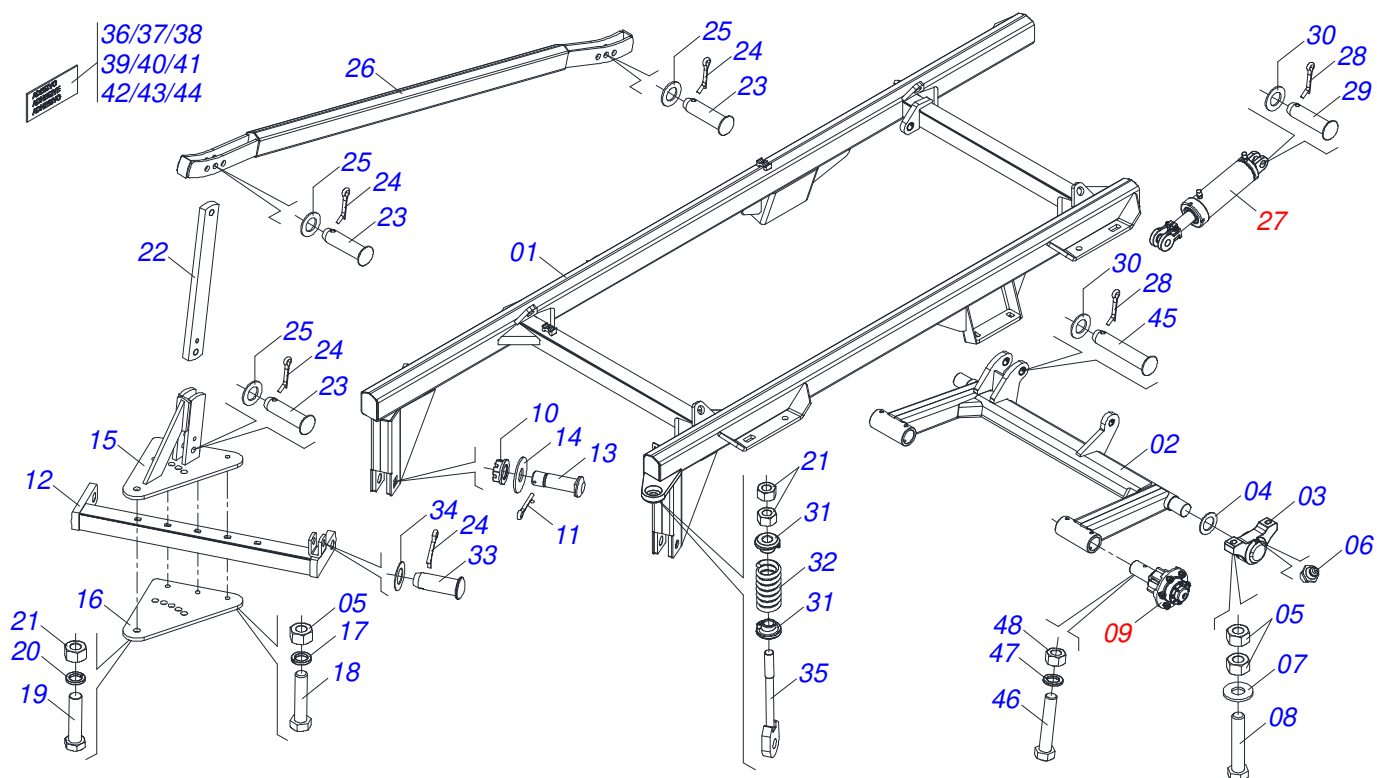
Item	Code	Description	See page	QT
33	0521010592	1.1" X 3.1" COUPLING SHAFT		01
34	0561011883	FLAT WASHER		01
35	0501064698	SPRING ROD		01
36	0503031428	READ MANUAL DECAL		01
37	0503031087	AUTO CONTROL APPROVED DECAL		01
38	0503031827	LUBRICATE AND RETIGHTEN DAILY DECAL		01
39	0503061529	ATCRL 6009 DECAL ASSY		01
40	0503034499	HOSE IDENTIFICATION DECAL		01
41	0503034078	LIFTING POINTS DECAL		04
42	0503031738	WARNING DECAL		01
43	0503033038	DANGER DECAL		01
44	0503031739	DANGER DECAL		01



WHEEL WITHOUT TIRE



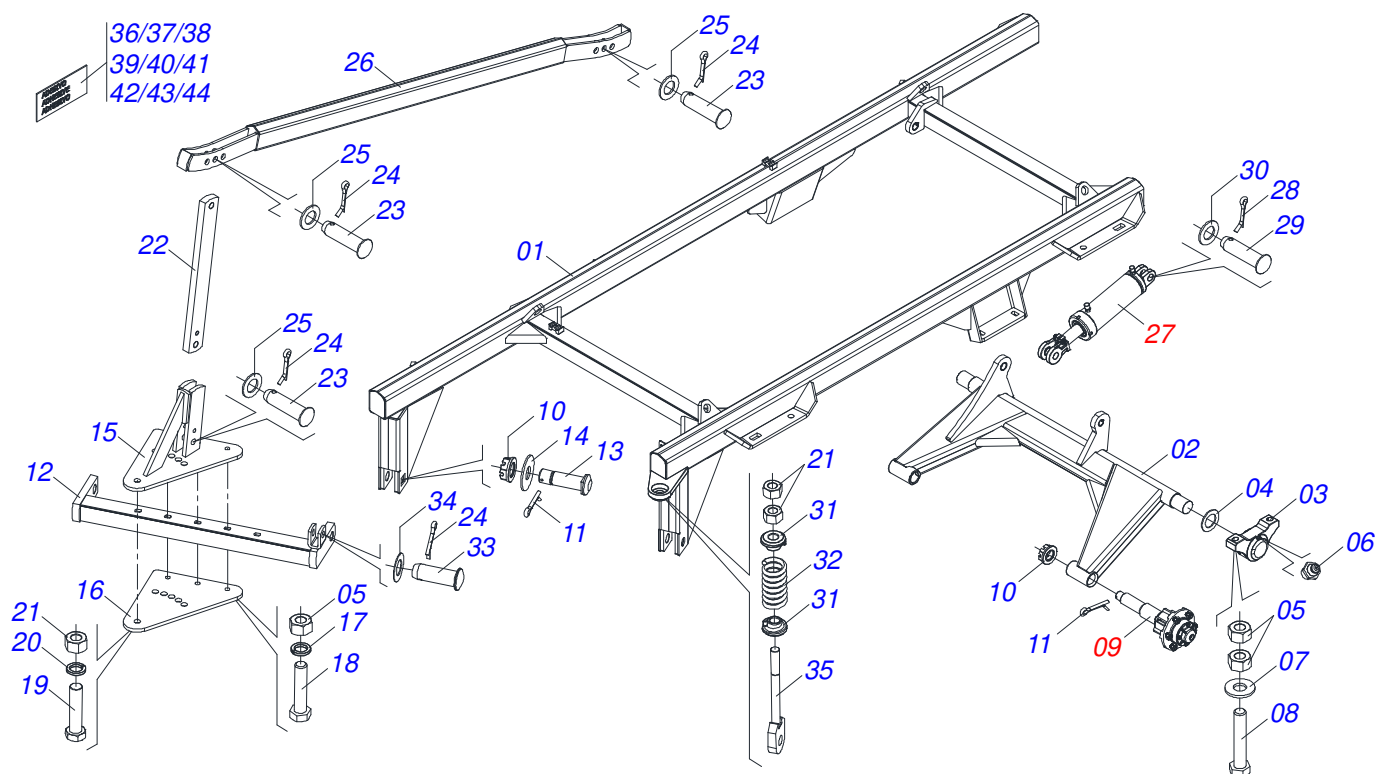
Item	Code	Description	See page	QT
01	0501110728	WHEEL HUB		01
01A	0502011121	CARRYING WHEEL HUB		01
01B	0501010127	9/16" X 1-7/8" LUG BOLT		06
01C	0503010035	9/16" CONIC NUT		06
02	0503012171	32210 ROLLER BEARING		01
03	0503012170	30207 ROLLER BEARING		01
04	0503012928	SEAL		01
05	0521010821	2.5" X 16.5" AXLE		01
06	0501016545	FLAT WASHER		01
07	0503030009	1" CASTLE NUT		01
08	0503010018	5/32" X 1-1/2" SPLIT PIN		01
09	0502020591	PROTECCION COVER		01
10	0503011444	SPRING WASHER 5/16"		04
11	0503010358	5/16" X 5/8" BOLT		04
12	0503010002	1800 GREASE FITTING		01
13	1882970002	GREASE		00



Item	Code	Description	See page	QT
01	0501068765	FRAME		01
02	0511065084	CARRYING-WHEELS SUPPORT		01
03	0501110856	ARTICULATION BEARING		02
04	0501017579	FLAT WASHER		02
05	0503010014	3/4" ZN G.5 (HEAVY) UNC HEX NUT		11
06	0503010002	1800 GREASE FITTING		02
07	0501010322	20,50 X 46 X 4,00 ZN FLAT WASHER		04
08	0503010797	3/4" X 4" BOLT		04
09	0501054931	STUB SHAFT & HUB	9	02
10	0501011301	1.1/2" UNC 6FPP 2.5/16" NUT		02
11	0503010010	SPLIT PIN 1/4" X 2.1/2"		02
12	0501063260	OFFSET BAR		01
13	0521017538	11-1/2" X 5" COUPLING SHAFT		02
14	0511019880	FLAT WASHER		02
15	0501066099	UPPER PLATE WITH SUPPORT		01
16	0501010241	UPPER /LOWER PLATE		01
17	0503011442	3/4" SPRING WASHER		03
18	0503011198	BOLT 3/4" UNC X 6" CS G.5		03
19	0501010060	1" X 6-1/2" BOLT		02
20	0503011438	SPRING WASHER		02
21	0501010059	1.5/8 NUT		04
22	0511012972	STABILIZER BAR TOWER		01
23	0521010576	0.9" X 3.7" COUPLING SHAFT		03
24	0503010571	1/4" X 1.1/2" SPLIT PIN		04
25	0501011445	FLAT WASHER		03
26	0511066932	STABILIZER BAR		01
27	0511059180	HYDRAULIC CYLINDER 50,80 X 101,60 X 515 X 203	5	01
28	0503010523	1/4" X 2" SPLIT PIN		02
29	0521010779	31.75 X 95 COUPLING SHAFT		01
30	0501017779	FLAT WASHER 32 X 60 X 4,75		02
31	1902020392	SPRING SUPPORT		02
32	0503030441	12.7" X 5.7" X 0.5" SPRING		01



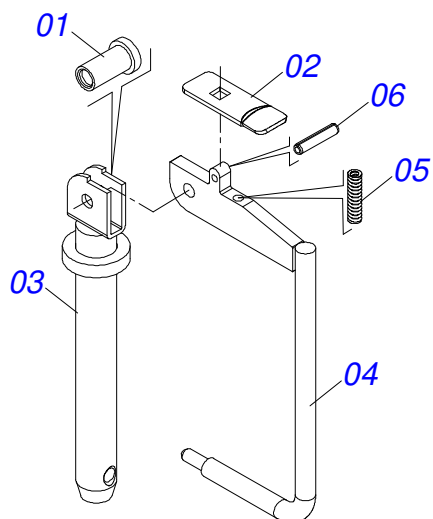
Item	Code	Description	See page	QT
33	0521010592	1.1" X 3.1" COUPLING SHAFT		01
34	0561011883	FLAT WASHER		01
35	0501064698	SPRING ROD		01
36	0503031428	READ MANUAL DECAL		01
37	0503031087	AUTO CONTROL APPROVED DECAL		01
38	0503031827	LUBRICATE AND RETIGHTEN DAILY DECAL		01
39	0503061529	ATCRL 6009 DECAL ASSY		01
40	0503034499	HOSE IDENTIFICATION DECAL		01
41	0503034078	LIFTING POINTS DECAL		04
42	0503031738	WARNING DECAL		01
43	0503033038	DANGER DECAL		01
44	0503031739	DANGER DECAL		01
45	0511010174	1.2" X 5.9" COUPLING SHAFT		01
46	0503010547	1/2" X 4" BOLT		02
47	0503011440	SPRING WASHER		02
48	0503010060	1/2 UNC G.5 ZN HEX NUT		02



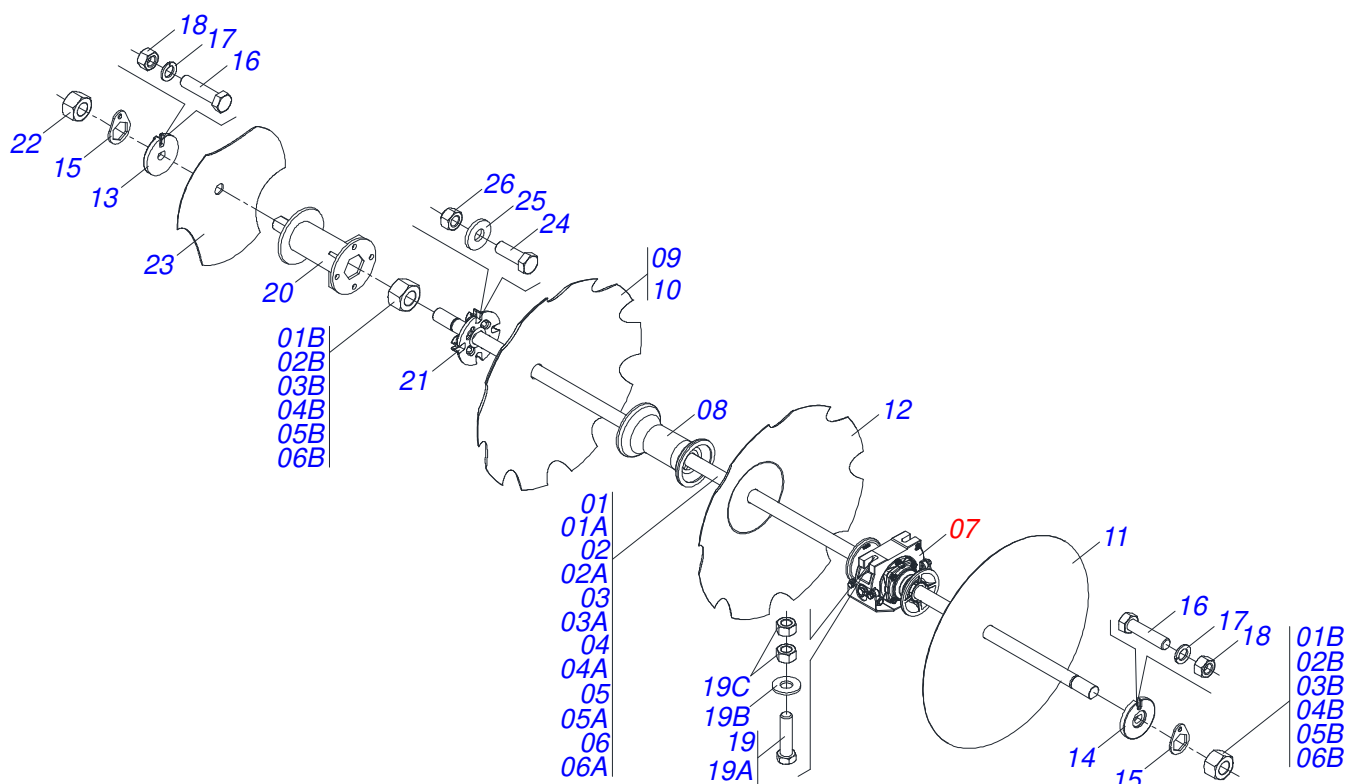
Item	Code	Description	See page	QT
01	0501068765	FRAME		01
02	0501065518	CARRYING-WHEELS		01
03	0501110856	ARTICULATION BEARING		02
04	0501017579	FLAT WASHER		02
05	0503010014	3/4" ZN G.5 (HEAVY) UNC HEX NUT		11
06	0503010002	1800 GREASE FITTING		02
07	0501010322	20,50 X 46 X 4,00 ZN FLAT WASHER		04
08	0503010797	3/4" X 4" BOLT		04
09	0501051634	STUB SHAFT HUB ASSY	6	02
10	0501011301	1.1/2" UNC 6FPP 2.5/16" NUT		04
11	0503010010	SPLIT PIN 1/4" X 2.1/2"		04
12	0501063260	OFFSET BAR		01
13	0521017538	11-1/2" X 5" COUPLING SHAFT		02
14	0511019880	FLAT WASHER		02
15	0501066099	UPPER PLATE WITH SUPPORT		01
16	0501010241	UPPER /LOWER PLATE		01
17	0503011442	3/4" SPRING WASHER		03
18	0503011198	BOLT 3/4" UNC X 6" CS G.5		03
19	0501010060	1" X 6-1/2" BOLT		02
20	0503011438	SPRING WASHER		02
21	0501010059	1.5/8 NUT		04
22	0511012972	STABILIZER BAR TOWER		01
23	0521010576	0.9" X 3.7" COUPLING SHAFT		03
24	0503010571	1/4" X 1.1/2" SPLIT PIN		04
25	0501011445	FLAT WASHER		03
26	0511066932	STABILIZER BAR		01
27	0511059180	HYDRAULIC CYLINDER 50,80 X 101,60 X 515 X 203	5	01
28	0503010523	1/4" X 2" SPLIT PIN		02
29	0521010779	31.75 X 95 COUPLING SHAFT		02
30	0501017779	FLAT WASHER 32 X 60 X 4,75		02
31	1902020392	SPRING SUPPORT		02
32	0503030441	12.7" X 5.7" X 0.5" SPRING		01



Item	Code	Description	See page	QT
33	0521010592	1.1" X 3.1" COUPLING SHAFT		01
34	0561011883	FLAT WASHER		01
35	0501064698	SPRING ROD		01
36	0503031428	READ MANUAL DECAL		01
37	0503031087	AUTO CONTROL APPROVED DECAL		01
38	0503031827	LUBRICATE AND RETIGHTEN DAILY DECAL		01
39	0503061529	ATCRL 6009 DECAL ASSY		01
40	0503034499	HOSE IDENTIFICATION DECAL		01
41	0503034078	LIFTING POINTS DECAL		04
42	0503031738	WARNING DECAL		01
43	0503033038	DANGER DECAL		01
44	0503031739	DANGER DECAL		01



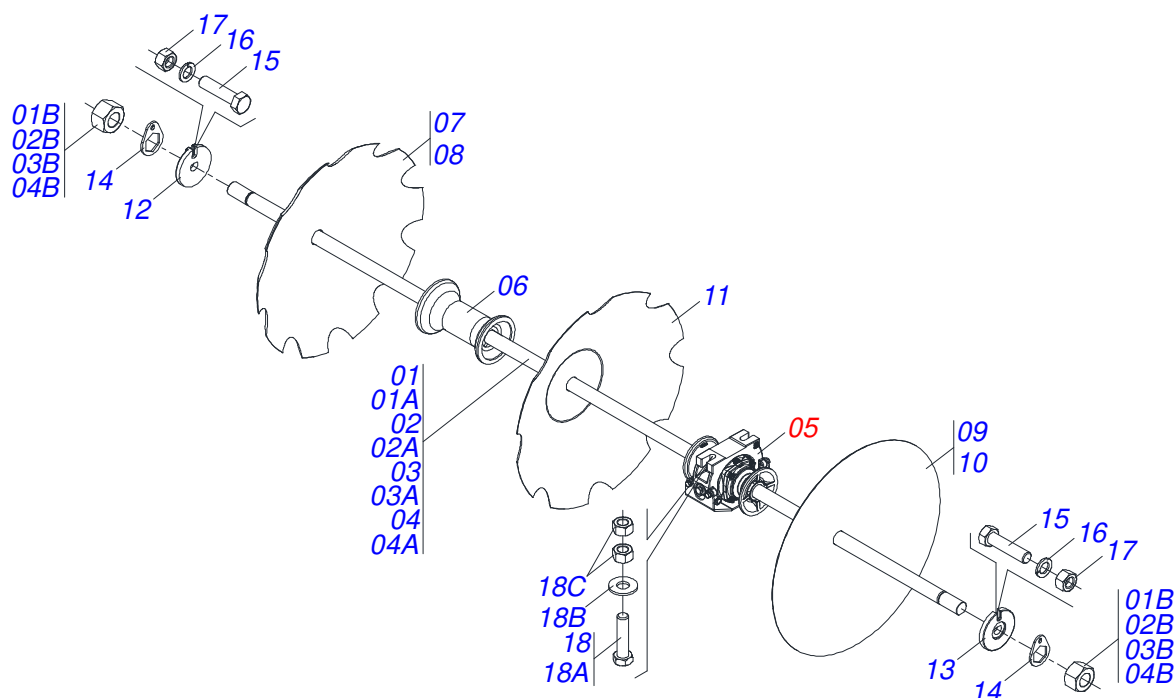
Item	Code	Description	See page	QT
01	0591012353	PIN 9,3 X 18		01
02	0591012352	DISCONNECT AXLE HITCH		01
03	0531060552	AXLE 25,4 X 205		01
04	0531060553	HITCH LOCK AXIS 25.4		01
05	0503035062	COMPRESSION SPRING 6.35 X 25 X 1.28		01
06	0503019613	ELASTIC PIN 5X24 701136		01



Item	Code	Description	See page	14	16	18	19	20	21	22	23	24	25
01	0501043835	1.1/2" X 1040 AXLE W/NUT		00	00	00	00	04	03	02	02	00	00
01A	0511010224	1.1/2" X 1040 AXLE		00	00	00	00	01	01	01	01	00	00
01B	0501010110	1.1/2 NC 6FPP 2.3/8 HEXAGONAL NUT		00	00	00	00	02	02	02	02	00	00
02	0501043689	1-1/2" X 1275 AXLE W/NUT		00	00	00	00	00	01	02	01	04	03
02A	0511012600	1-1/2" X 1275 AXLE		00	00	00	00	00	01	01	01	01	01
02B	0501010110	1.1/2 NC 6FPP 2.3/8 HEXAGONAL NUT		00	00	00	00	00	02	02	02	02	02
03	0501043697	1.1/2 6FPP X 1505 AXLE WITH NUTS		02	00	00	00	00	00	00	01	00	01
03A	0511012601	1.1/2 6FPP X 1505 AXLE		01	00	00	00	00	00	00	01	00	01
03B	0501010110	1.1/2 NC 6FPP 2.3/8 HEXAGONAL NUT		02	00	00	00	00	00	00	02	00	02
04	0501043837	1-1/2" X 68" AXLE WITH NUTS		00	02	00	00	00	00	00	00	00	00
04A	0511010225	1-1/2" X 68" AXLE		00	01	00	00	00	00	00	00	00	00
04B	0501010110	1.1/2 NC 6FPP 2.3/8 HEXAGONAL NUT		00	02	00	00	00	00	00	00	00	00
05	0501043756	1-1/2" X 77" AXLE WITH NUTS		00	00	02	01	00	00	00	00	00	00
05A	0511010230	1-1/2" X 77" AXLE		00	00	01	01	00	00	00	00	00	00
05B	0501010110	1.1/2 NC 6FPP 2.3/8 HEXAGONAL NUT		00	00	02	02	00	00	00	00	00	00
06	0501043757	1-1/2" X 86" AXLE WITH NUTS		00	00	00	01	00	00	00	00	00	00
06A	0511012602	1-1/2" X 86" AXLE		00	00	00	01	00	00	00	00	00	00
06B	0501010110	1.1/2 NC 6FPP 2.3/8 HEXAGONAL NUT		00	00	00	02	00	00	00	00	00	00
07	0521047184	DMO 225 X 1.1/2 AGRICULTURAL BEARING	26	04	06	06	06	08	08	08	08	08	08
08	0502010621	8.8" 1-1/2" SPACER		08	08	10	11	08	09	10	11	12	13
09	0602027355	DR 20 X 3,50 C53AF02FR1.9/16 10R		00	00	00	01	00	01	00	01	00	01
09.	0602029396	DR 22 X 4,75 C69AF02FR1.9/16 10R		14	16	18	01	20	01	22	01	24	01
09..	0602029413	DR 22 X 6,00 C74AF02FR1.9/16 10R		00	00	00	00	00	00	00	01	00	01
09...	0602030237	DR 24 X 4,75 C84AF02FR1.9/16 10R		14	16	18	17	20	19	22	21	24	23
09....	0602030283	DR 24 X 6,00 C84AF02FR1.9/16 10R		14	16	18	00	20	00	22	01	24	01
09.....	0602033283	DR 26 X 4,75 C89AF02FR1.9/16 10R		14	16	18	00	20	00	22	00	24	00
09.....	0602033231	DR 26 X 6,00 C89AF02FR1.9/16 10R		14	16	18	00	20	00	22	21	24	23
10	0602030237	DR 24 X 4,75 C84AF02FR1.9/16 10R		07	08	09	00	10	00	11	00	12	00
10.	0602030283	DR 24 X 6,00 C84AF02FR1.9/16 10R		07	08	09	00	10	00	11	00	12	00
11	0601030246	DL 24 X 4,75 C84AF02FR1.9/16		07	08	09	00	10	00	11	00	12	00
11.	0601030305	DL 24 X 6,00 C84AF02FR1.9/16		07	08	09	00	10	00	11	00	12	00
12	0609030032	DRC 24 X 4,75 C98AF02FR1.9/16 8R		14	16	18	00	20	00	22	00	24	00



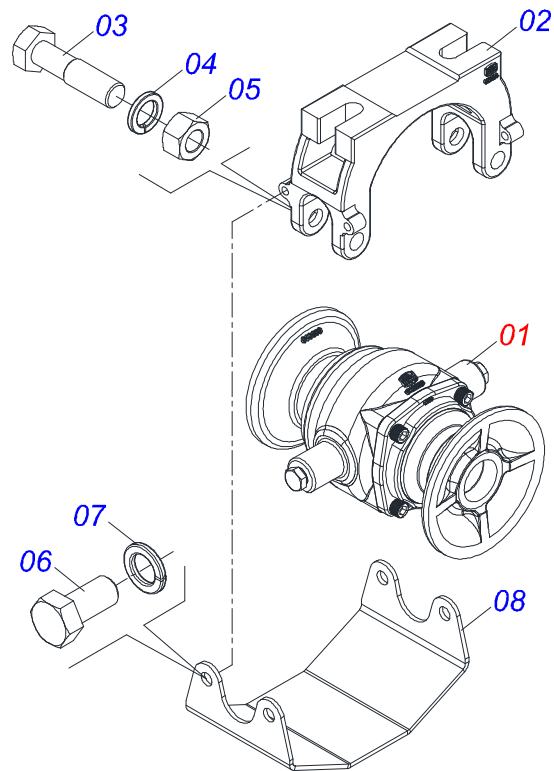




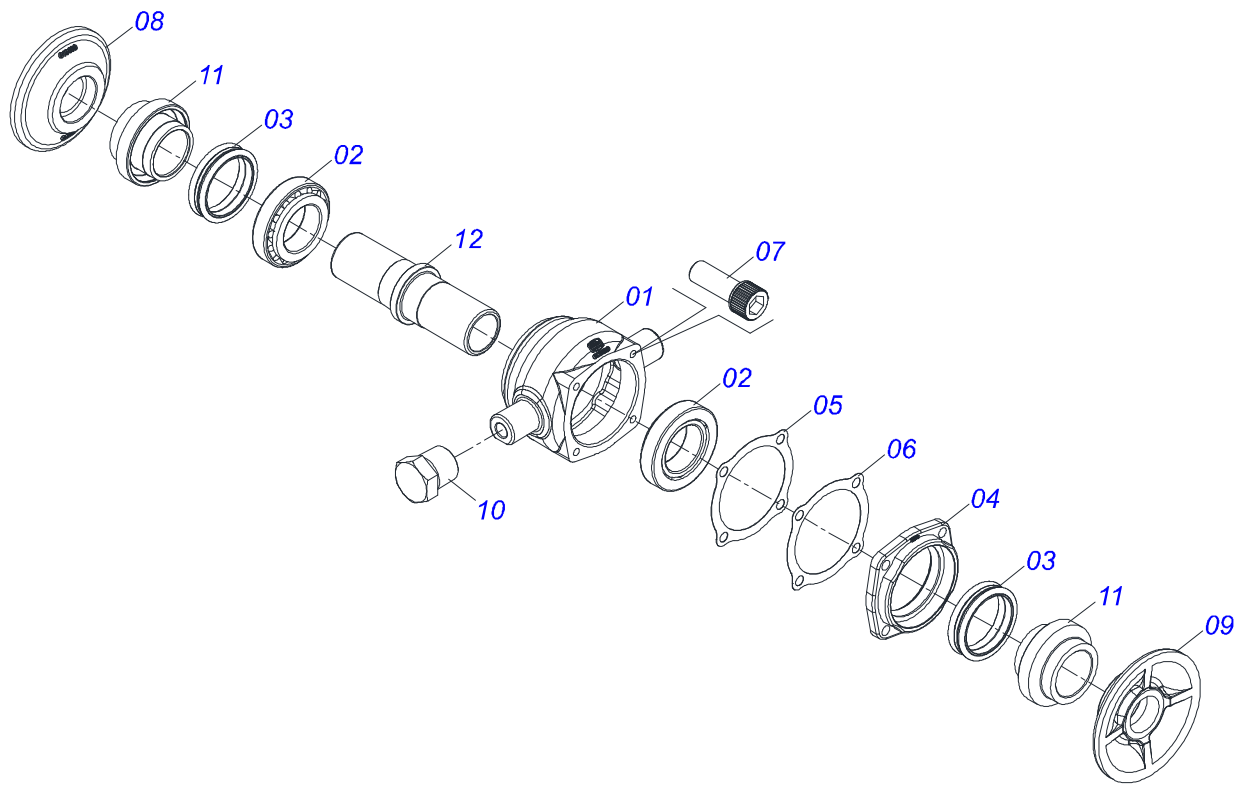
Item	Code	Description	See page	26	28	29	32	33	36	37
01	0501043689	1-1/2" X 1275 AXLE W/NUT		02	00	00	00	00	06	05
01A	0511012600	1-1/2" X 1275 AXLE		01	00	00	00	00	01	01
01B	0501010110	1.1/2 NC 6FPP 2.3/8 HEXAGONAL NUT		02	00	00	00	00	02	02
02	0501043697	1.1/2 6FPP X 1505 AXLE WITH NUTS		00	04	03	00	00	00	01
02A	0511012601	1.1/2 6FPP X 1505 AXLE		00	01	01	00	00	00	01
02B	0501010110	1.1/2 NC 6FPP 2.3/8 HEXAGONAL NUT		00	02	02	00	00	00	02
03	0501043837	1-1/2" X 68" AXLE WITH NUTS		00	00	01	04	03	00	00
03A	0511010225	1-1/2" X 68" AXLE		00	00	01	01	01	00	00
03B	0501010110	1.1/2 NC 6FPP 2.3/8 HEXAGONAL NUT		00	00	02	02	02	00	00
04	0501043756	1-1/2" X 77" AXLE WITH NUTS		00	00	00	00	01	00	00
04A	0511010230	1-1/2" X 77" AXLE		00	00	00	00	01	00	00
04B	0501010110	1.1/2 NC 6FPP 2.3/8 HEXAGONAL NUT		00	00	00	00	02	00	00
05	0521047184	DMO 225 X 1.1/2 AGRICULTURAL BEARING	26	08	08	08	08	08	12	12
06	0502010621	8.8" 1-1/2" SPACER		14	16	17	20	21	18	19
07	0602027355	DR 20 X 3,50 C53AF02FR1.9/16 10R		00	00	01	00	01	00	01
07.	0602029396	DR 22 X 4,75 C69AF02FR1.9/16 10R		00	00	01	00	01	00	01
07..	0602029413	DR 22 X 6,00 C74AF02FR1.9/16 10R		00	00	01	00	00	00	00
07...	0602030237	DR 24 X 4,75 C84AF02FR1.9/16 10R		00	28	27	32	31	36	35
07....	0602030283	DR 24 X 6,00 C84AF02FR1.9/16 10R		26	00	01	00	00	00	00
07.....	0602033283	DR 26 X 4,75 C89AF02FR1.9/16 10R		00	28	00	32	00	36	00
07.....	0602033231	DR 26 X 6,00 C89AF02FR1.9/16 10R		00	28	27	32	33	36	00
07.....	0602033252	DR 26 X 6,00 C89AF02FR1.9/16 10R		26	00	00	00	00	00	00
08	0602030283	DR 24 X 6,00 C84AF02FR1.9/16 10R		00	14	00	00	00	00	00
09	0601030305	DL 24 X 6,00 C84AF02FR1.9/16		00	14	00	00	00	00	00
10	0601034036	DL 26 X 4,75 C89AF02FR1.9/16		00	00	00	00	00	36	00
11	0609030032	DRC 24 X 4,75 C98AF02FR1.9/16 8R		00	28	29	32	00	36	00
11.	0609030034	DRC 24 X 6,00 C98AF02FR1.9/16 8R		00	28	29	32	00	36	00
12	0502010871	EXTERNAL AXLE WASHER 1.1/2"		04	04	04	04	04	06	06
13	0502010872	1-1/2" INNER AXLE WASHER		04	04	04	04	04	06	06
14	0501018592	1.5/8 HEX 60,0/60,2 LOCK NUT		08	08	08	08	08	12	12
15	0503011267	BOLT 5/8" UNC X 1.1/2 C S G.5 ZN		08	08	08	08	08	12	12
16	0503010027	5/8 SPRING WASHER		08	08	08	08	08	12	12



Item	Code	Description	See page	26	28	29	32	33	36	37
17	0503010013	5/8 UNC G.5 ZN HEX NUT		08	08	08	08	08	12	12
18	0521047597	ASSEMBLY SCREW 5/8 UNC X 2.1/2 BEARING		16	16	16	16	16	24	24
18A	0503010233	5/8" X 2-1/2" BOLT		01	01	01	01	01	01	01
18B	0501012140	FLAT WASHER 16,50 X 40 X 4,00 ZN		01	01	01	01	01	01	01
18C	0503010013	5/8 UNC G.5 ZN HEX NUT		02	02	02	02	02	02	02

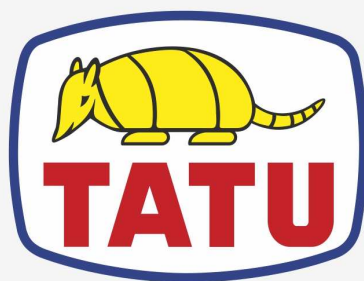


Item	Code	Description	See page	QT
01	0521050837	DMO 225 X 1.1/2 IMP AGRICULTURAL BEARING	27	01
02	0502012854	BEARING SUPPORT 182/192,5		01
03	0501011541	5/8 UNC X 3 CS G.5 ZN1K28066 BOLT		02
04	0503010027	5/8 SPRING WASHER		02
05	0503010013	5/8 UNC G.5 ZN HEX NUT		02
06	0503011334	3/8 UNC X 3/4 CS G.5 ZN BOLT		04
07	0503010025	3/8 SPRING WASHER		04
08	0581014143	SWIVEL OIL BATH BEARING WEAR PLATE		01



Item	Code	Description	See page	QT
01	0502012839	BEARING HOUSING 182/192,5		01
02	0503010006	32210 ROLLER BEARING		02
03	0503030026	SEAL LP JB-253		02
04	0502020424	HOUSING CAP 182/192,225		01
05	0503030013	4.4" X 3.5" X 0.004" JOINT		01
06	0503030684	4.4" X 3.5" X 0.004" JOINT		01
07	0503010134	3/8" X 1" BOLT		04
08	0502010605	INNER FLANGE		01
09	0502010604	OUTER FLANGE		01
10	0503010856	OIL PLUG R 3/8 BSPT		02
11	0502010821	RETAINER HOLDER WITH BUSHING		02
12	0502040611	AXLE		01





**MARCHESAN**

**Technical Publications | Elaboration and Revision**

ALESSANDRA PATRICIA KAWAHARA CARRILI

[www.marchesan.com.br](http://www.marchesan.com.br)

