

DOUBLE OFFSET DISK HARROW

GH2 1009T - 16/18/20/22D
GH2 1009T - 16/18/20/22D

Code: 0501093843
Series: S-0224
Revision: 00
Revision Date: MAY/2024

PARTS CATALOGUE



MARCHESAN



PRODUCTS

Code	Working Width	Description
0102190256		GH2 1009T 16X24X4,75 MT DMO E 1.1/2 S-0224
0102190258		GH2 1009T 18X24X4,75 DR DMO E 1.1/2 FF S-0224
0102190257		GH2 1009T 18X24X4,75 MT DMO E 1.1/2 FF S-0224
0102190260		GH2 1009T 20X24X4,75 MT DMO E 1.1/2 S-0224
0102190259		GH2 1009T 22X24X4,75 MT DMO E 1.1/2 FF S-0224

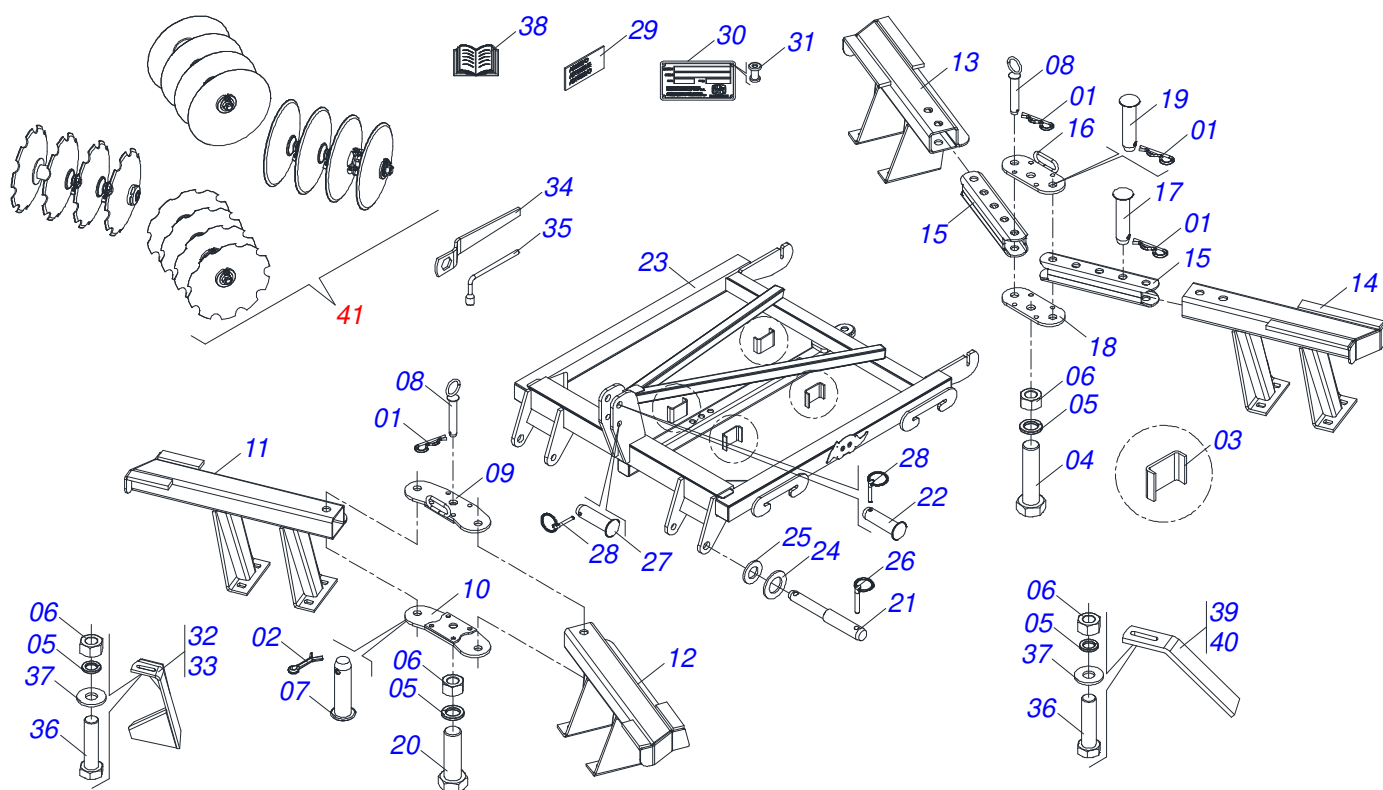
ATTENTION: IMPORTANT

Marchesan S.A. reserves the right to improve and/or modify the technical features of its products, without obligation to do the same with those products already sold and without prior knowledge of the dealer or the customer. The photos are only illustrative.



INDEX

0909097207	FRAME ASSY	1
0909091425	DISC GANG ASSY	2
0521047184	DMO 225 X 1.1/2 AGRICULTURAL BEARING	3
0521050837	DMO 225 X 1.1/2 IMP AGRICULTURAL BEARING	4



Item	Code	Description	See page	016	018	020	022
01	0503031035	HITCH PIN CLIP		006	006	006	006
02	0503010571	1/4" X 1.1/2" SPLIT PIN		007	005	007	007
02.	0503010523	1/4 X 2 SPLIT PIN		000	001	000	000
03	0541018541	REGULATOR GUIDE		004	004	004	004
04	0503010384	1/2" X 5" BOLT		004	004	004	004
05	0503010019	1/2" SPRING WASHER		016	020	024	028
06	0503010060	1/2 UNC G.5 ZN HEX NUT		016	020	024	028
07	0521010581	0.9" X 4.9" COUPLING SHAFT		002	002	002	002
08	0511067081	LOCK PIN 25 X 125		002	002	002	002
09	0511068780	FRONT UPPER REGULACION		001	001	001	001
10	0511068795	FRONT LOWER REGULACION		001	001	001	001
11	0511069739	RIGHT FRONT FRAME - 16/18D		001	001	000	000
11.	0511069743	RIGHT FRONT FRAME - 20/22D		000	000	001	001
12	0511069740	LEFT FRONT FRAME - 16/18D		001	001	000	000
12.	0511069744	LEFT FRONT FRAME - 20/22D		000	000	001	001
13	0511069741	RIGHT REAR FRAME - 16/18D		001	001	000	000
13.	0511069745	RIGHT REAR FRAME - 20/22D		000	000	001	001
14	0511069742	LEFT REAR FRAME - 16/18D		001	001	000	000
14.	0511069746	LEFT REAR FRAME - 20/22D		000	000	001	001
15	0511066990	ADJUSTMENT TUBE		002	002	002	002
16	0511066991	REAR ADJUSTMENT BASE		001	001	001	001
17	0521010577	0.9" X 4.1" COUPLING SHAFT		004	004	004	004
18	0541018540	REGULATORY BODY REAR BASE		001	001	001	001
19	0521010578	COUPLING SHAFT		002	002	002	002
19.	0521010579	COUPLING SHAFT		000	003	000	000
19..	0521010780	1.2" X 4.5" COUPLING SHAFT		000	001	000	000
20	0503010706	BOLT 1/2 UNC X 4.1/2 C S G.5 ZN		004	004	004	004
21	0541015542	1.1/8" HITCH AXLE		002	002	002	002
22	0511011887	COUPLING SHAFT		001	001	001	001
23	0511069738	FRAME		001	001	001	001
24	0501012916	FLAT WASHER 40 X 66 X 4,75 ZN		002	002	002	002
25	0511017480	FLAT WASHER		002	002	002	002

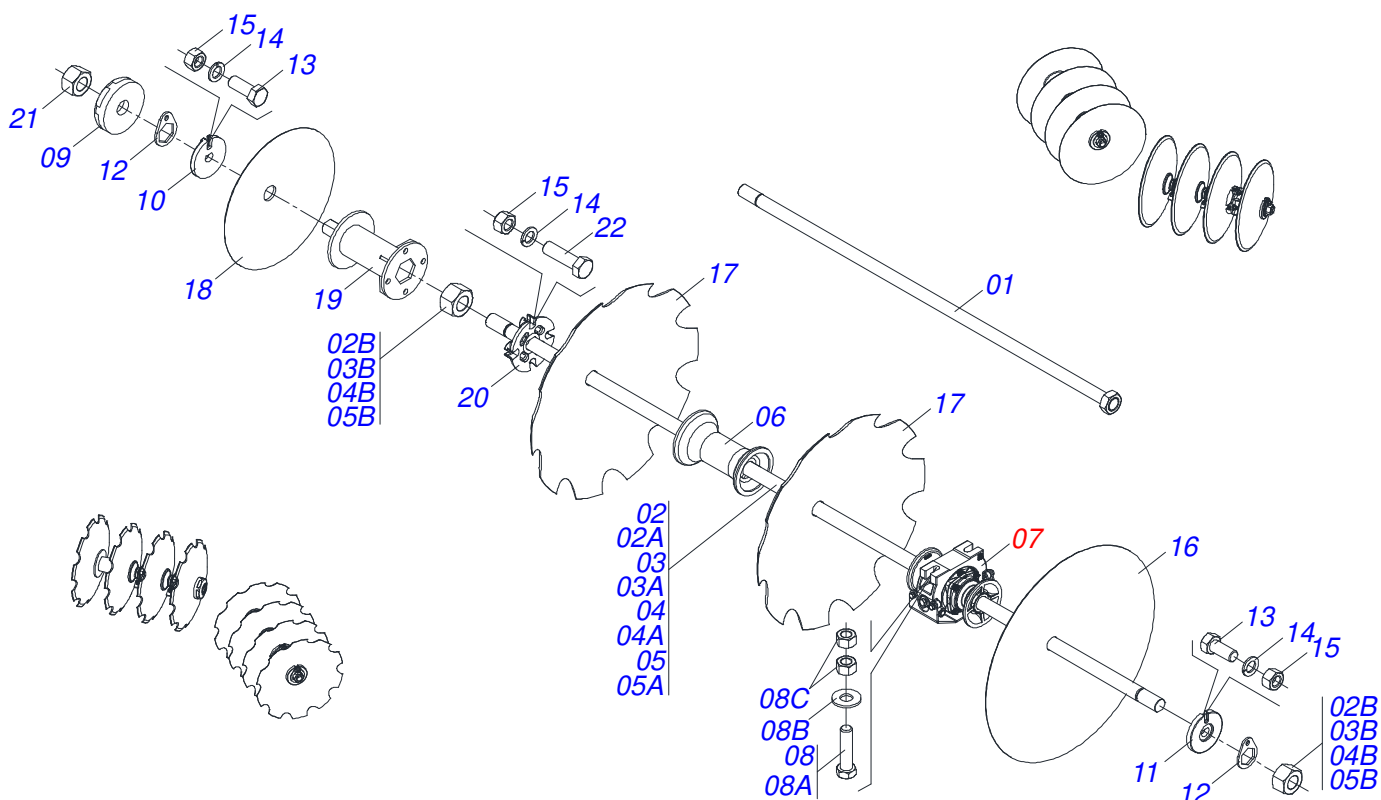


FRAME ASSY

0909097207

Item	Code	Description	See page	016	018	020	022
26	0503030430	7/16 X 2" PIN LOCK		004	004	004	004
27	0521010578	COUPLING SHAFT		001	002	001	001
28	0503030085	LOCK PIN		002	002	002	002
29	0503061757	ADHESIVE LABEL SET GH2 1009T SILVER		001	001	001	001
30	0503034003	61 X 118 SERIAL NUMBER TAG		001	001	001	001
31	0503010001	RIVET 3,2 X 5,5		004	004	004	004
32	0511066927	WIPER FRONT LEFT REAR RIGHT		002	002	004	004
33	0511066928	WIPER FRONT RIGHT REAR LEFT		002	002	004	004
34	0501011432	1-1/2" AND 1-5/8 GANG BOLT WRENCH		001	001	001	001
35	0501068273	5/8" WRENCH		001	001	001	001
36	0503010920	1/2 UNC X 1.1/2 C S G.5 ZN BOLT		008	012	016	020
37	0511017302	FLAT WASHER 13,50 X 32,50 X 3,0 ZN		008	012	016	020
38	0511034346	PLASTIC COVER WITH INSTRUCTIONS MANUAL		001	001	001	001
39	0551019356	LEFT SCRAPER - FURROW FILLER		000	001	000	001
40	0551019355	RIGHT SCRAPER SUPPORT FURROW FILLER		000	001	000	001
41		DISC GANG ASSY	2				

DISC GANG ASSY



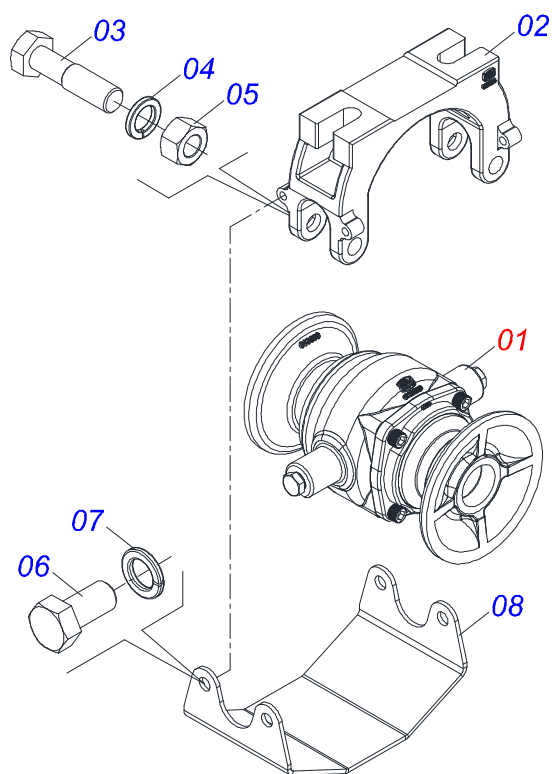
Item	Code	Description	See page	016	018	020	022
01	0511069751	AXIS 1.1/2 UNC 6FPP X 795 WITH NUTS		002	000	000	000
02	0501043705	AXLE ASSY WITH NUT 1.1/2" 6FPP X 810		002	000	000	000
02A	0511010766	1.1/2" X 810 AXLE ASSY		001	000	000	000
02B	0501010110	1.1/2 NC 6FPP 2.3/8 HEXAGONAL NUT		002	000	000	000
03	0521045330	AXIS 1.1/2 UNC 6FPP X 795 WITH NUTS		000	002	000	000
03A	0511069751	AXIS 1.1/2 UNC 6FPP X 795 WITH NUTS		000	001	000	000
03B	0501010110	1.1/2 NC 6FPP 2.3/8 HEXAGONAL NUT		000	001	000	000
04	0501043835	1.1/2" X 1040 AXLE W/NUT		000	000	002	002
04A	0511010224	1.1/2" X 1040 AXLE		000	000	001	001
04B	0501010110	1.1/2 NC 6FPP 2.3/8 HEXAGONAL NUT		000	000	002	002
05	0511042326	AXIS 1.1/2 6FPP X 1025 WITH NUTS		000	000	002	002
05A	0511061239	AXIS 1.1/2 6FPP X 1025 WITH NUT		000	000	001	001
05B	0501010110	1.1/2 NC 6FPP 2.3/8 HEXAGONAL NUT		000	000	001	001
06	0502010621	8.8" 1-1/2" SPACER		004	004	008	008
07	0521047184	DMO 225 X 1.1/2 AGRICULTURAL BEARING	3	008	008	008	008
08	0521047597	ASSEMBLY SCREW 5/8 UNC X 2.1/2 BEARING		016	016	016	016
08A	0503010233	5/8 UNC X 2.1/2 CS G.5 ZN BOLT		001	001	001	001
08B	0501012140	FLAT WASHER 16,50 X 40 X 4,00 ZN		001	001	001	001
08C	0503010013	5/8 UNC G.5 ZN HEX NUT		002	002	002	002
09	0502010619	1.1/2 EXTERNAL AXLE WASHER		002	002	002	002
10	0502010871	EXTERNAL AXLE WASHER 1.1/2"		002	002	002	002
11	0502010872	1-1/2" INNER AXLE WASHER		002	002	004	004
12	0501018592	1.5/8 HEX 60,0/60,2 LOCK NUT		006	006	006	006
13	0503011267	BOLT 5/8" UNC X 1.1/2 C S G.5 ZN		006	006	006	006
14	0503010027	5/8 SPRING WASHER		006	014	006	006
15	0503010013	5/8 UNC G.5 ZN HEX NUT		006	014	006	006
16	0601031114	24" X 4,75 PLAIN DISC BLADE		007	008	010	010
16.	0601029361	DL22X4,75 C72AF04FR1.9/16 TATU		002	000	000	000
17	0602030419	24" X 4,75" NOTCHED DISC BLADE		007	008	010	010
18	0601029413	DL 22 X 4,5 C64AF02FR1.9/16		000	002	000	002
18.	0602029416	DR 22 X 4,5 C64AF02FR1.9/16 10R		000	002	000	000
19	0521062027	186 SPACER		000	002	000	002



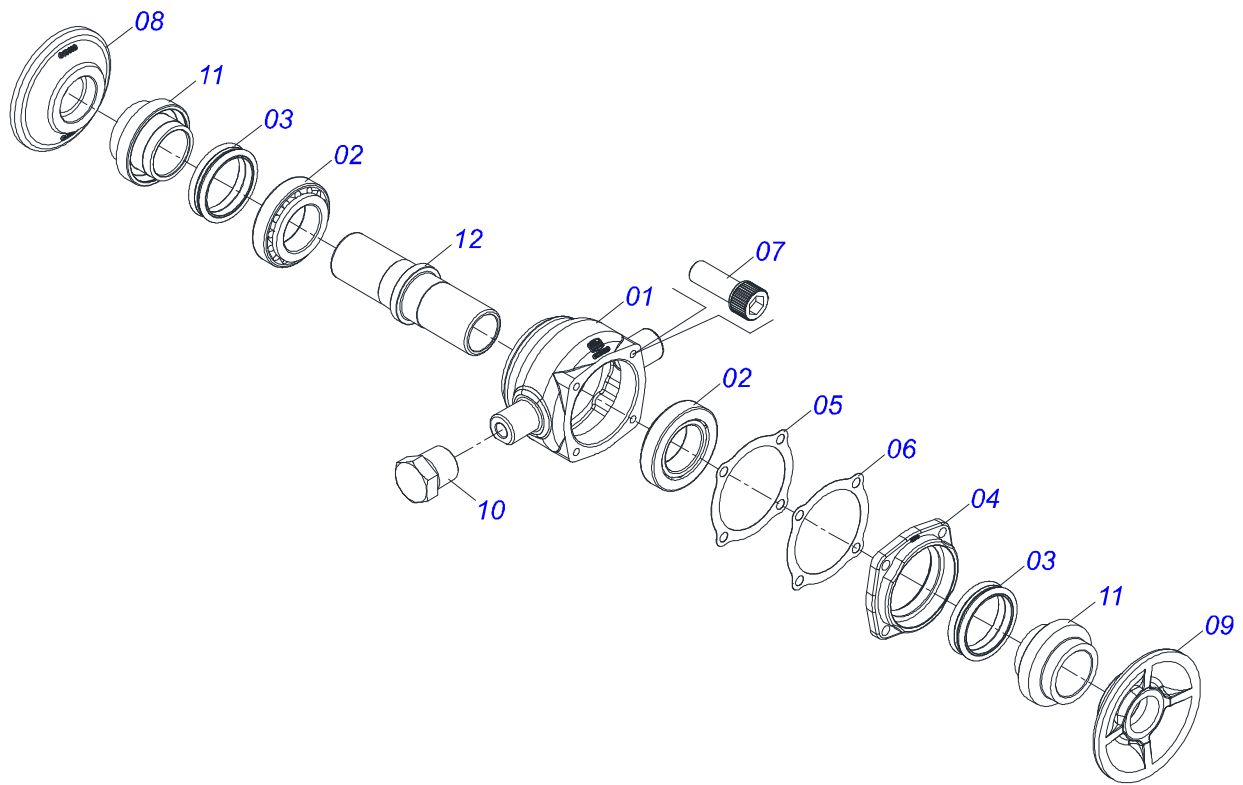
DISC GANG ASSY

0909091425

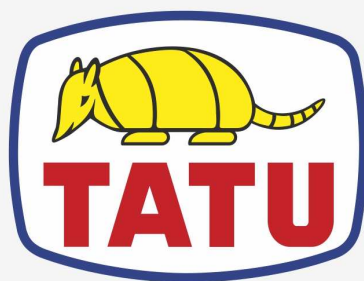
Item	Code	Description	See page	016	018	020	022
20	0502012376	1-1/2" EXTERNAL AXLE LOCK		000	002	006	002
21	0501010110	1.1/2 NC 6FPP 2.3/8 HEXAGONAL NUT		000	002	000	000
22	0503010232	5/8" X 1.3/4" BOLT		000	008	000	000



Item	Code	Description	See page	QT
01	0521050837	DMO 225 X 1.1/2 IMP AGRICULTURAL BEARING	4	01
02	0502012854	BEARING SUPPORT 182/192,5		01
03	0501011541	5/8 UNC X 3 CS G.5 ZN1K28066 BOLT		02
04	0503010027	5/8 SPRING WASHER		02
05	0503010013	5/8 UNC G.5 ZN HEX NUT		02
06	0503011334	3/8 UNC X 3/4 CS G.5 ZN BOLT		04
07	0503010025	3/8" SPRING WASHER		04
08	0581014143	SWIVEL OIL BATH BEARING WEAR PLATE		01



Item	Code	Description	See page	QT
01	0502012839	BEARING HOUSING 182/192,5		01
02	0503010006	32210 ROLLER BEARING		02
03	0503030026	SEAL LP JB-253		02
04	0502020424	HOUSING CAP 182/192,225		01
05	0503030013	4.4" X 3.5" X 0.004" JOINT		01
06	0503030684	4.4" X 3.5" X 0.004" JOINT		01
07	0503010134	3/8" X 1" BOLT		04
08	0502010605	INNER FLANGE		01
09	0502010604	OUTER FLANGE		01
10	0503010856	OIL PLUG R 3/8 BSPT		02
11	0502010821	RETAINER HOLDER WITH BUSHING		02
12	0502040611	AXLE		01



MARCHESAN

Technical Publications | Elaboration and Revision

ALESSANDRA PATRICIA KAWAHARA CARRILI

www.marchesan.com.br

