

**DOUBLE OFFSET DISK HARROW**

**GTLD-R - 44/48D**  
**GTLD-R - 44/48D**

**Code:** 0501093842  
**Series:** S-0224  
**Revision:** 00  
**Revision Date:** MARCH/2024

# **PARTS CATALOGUE**



**MARCHESAN**



# PRODUCTS

Code	Working Width	Description
0102430735		GTLD-R 44X24X6 MT DMO S-0224
0102430721		GTLD-R 44X26X6 MT DMO S-0224
0102430722		GTLD-R 48X26X6 MT DMO S-0224

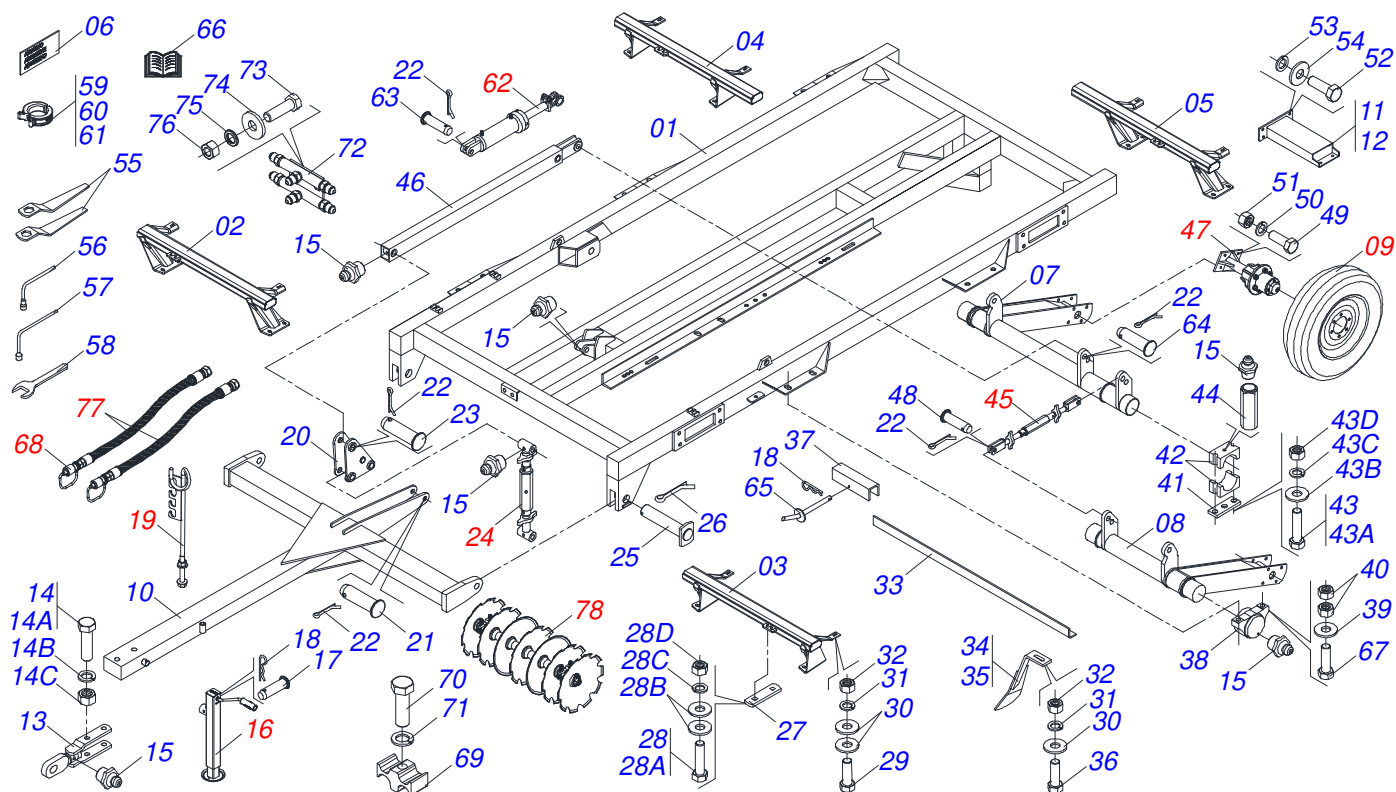
## ATTENTION: IMPORTANT

Marchesan S.A. reserves the right to improve and/or modify the technical features of its products, without obligation to do the same with those products already sold and without prior knowledge of the dealer or the customer. The photos are only illustrative.



# INDEX

0909097158	ASSY FRAME	.....	1
0503060091	L 29.5" X 0.63"-10L WHEEL AND TIRE ASSY	.....	2
0503062157	DRAWBAR JACK	.....	3
0501040257	3/4" X 38" HOSE SUPPORT ASSY	.....	4
0501044204	ESTABILIZER ASSY	.....	5
0501045162	ASSEMBLY CARRYING WHEELS ESTABILIZER	.....	6
0501051631	STUB SHAFT & HUB ASSY	.....	7
0511059180	HYDRAULIC CYLINDER 50,80 X 101,60 X 515 X 203	.....	8
0501053834	MALE QUICK COUPLER	.....	9
0501055766	HOSE SET	.....	10
0909097159	DISC GANG ASSY	.....	11
0521047184	DMO 225 X 1.1/2 AGRICULTURAL BEARING	.....	12
0521050837	DMO 225 X 1.1/2 IMP AGRICULTURAL BEARING	.....	13



Item	Code	Description	See page	044	048
01	0501068604	FRAME - 40/44D		001	000
01.	0501067530	FRAME - 48/52D		000	001
02	0501067416	RIGHT FRONT FRAME - 44D		001	000
02.	0501067424	RIGHT FRONT FRAME - 48D		000	001
03	0501067417	LEFT FRONT FRAME - 44D		001	000
03.	0501067425	LEFT FRONT FRAME - 48D		000	001
04	0501067418	RIGHT REAR FRAME - 44D		001	000
04.	0501067426	RIGHT REAR FRAME - 48D		000	001
05	0501067419	LEFT REAR FRAME - 44D		001	000
05.	0501067427	LEFT REAR FRAME - 48D		000	001
06	0503060836	SET DE ETIQUETAS ADHESIVAS GTLD PLATA		001	001
07	0501069059	RIGHT WHEEL SUPPORT		001	001
08	0501069060	LEFT WHEEL SUPPORT		001	001
09	0503060091	L 29.5" X 0.63"-10L WHEEL AND TIRE ASSY	2	004	004
10	0501066067	DRAWBAR		001	001
11	0501066137	REAR ADJUSTMENT		002	002
12	0501066136	FRONT ADJUSTMENT		000	002
13	0501065566	TRACTOR HITCH		001	001
14	0501041894	1" X 7" ASSY BOLT		002	002
14A	0501010334	1" X 7" BOLT		001	001
14B	0503010012	1" SPRING WASHER		001	001
14C	0501010059	1.5/8 NUT		001	001
15	0503010002	1800 GREASE FITTING		008	008
16	0503062157	DRAWBAR JACK	3	001	001
17	0521010549	COUPLING SHAFT		001	001
18	0503030168	HITCH PIN CLIP		003	003
19	0501040257	3/4" X 38" HOSE SUPPORT ASSY	4	001	001
20	0501065531	ROCKER ARM		001	001
21	0521010546	1.2" X 5.7" COUPLING SHAFT		001	001
22	0503010523	1/4" X 2" SPLIT PIN		011	011
23	0501019719	1.1/4" X 155MM COUPLING SHAFT		003	003
24	0501044204	ESTABILIZER ASSY	5	001	001

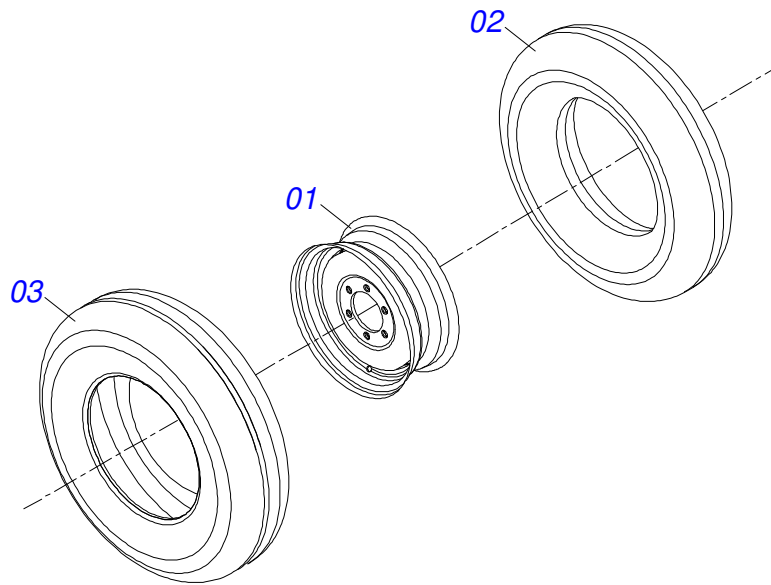
ASSY FRAME

Item	Code	Description	See page	044	048
25	0521010620	1.5" X 4.6" COUPLING SHAFT		002	002
26	0503010534	3/8" X 2.1/2" SPLIT PIN		002	002
27	0511013056	FIXING BASE FRAME		008	008
28	0511042229	1" X 6" BOLT		016	016
28A	0503013113	1" X 6" BOLT		001	001
28B	0501010065	1" SPRING WASHER		002	002
28C	0503010012	1" SPRING WASHER		001	001
28D	0501010059	1.5/8 NUT		001	001
29	0503010740	BOLT 1/2 UNC X 2 CS G.5 ZN		016	016
30	0511017302	FLAT WASHER 13,50 X 32,50 X 3,0 ZN		032	032
31	0503010019	1/2" SPRING WASHER		016	016
32	0503010060	1/2 UNC G.5 ZN HEX NUT		016	016
33	0511012594	1020 BAR FIX SCRAPER		002	002
33.	0511012604	1250 BAR FIX SCRAPER		006	002
33..	0511012596	1480 FIX BAR SCRAPER		000	004
34	0501067394	FRONT RIGHT/REAR LEFT WIPER		023	025
35	0501067395	FRONT LEFT/REAR RIGHT WIPER		023	025
36	0503011082	C1/2" X 1.3/4" SCREW		030	034
37	0511010839	TRANSPORT LOCK 7.9" X 2.1" X 0.4"		002	002
38	0502010972	ARTICULATION BEARING		003	003
39	0501010065	1" SPRING WASHER		006	006
40	0501010059	1.5/8 NUT		006	006
41	0501015593	SUPPORT PLATE		001	001
42	0502010673	BEARING SEMI		002	002
43	0501042309	1" X 9" AR ASSY BOLT		002	002
43A	0501010064	BOLT 1" UNC X 9 CS G.5 ZN		001	001
43B	0501010065	1" SPRING WASHER		001	001
43C	0503010012	1" SPRING WASHER		001	001
43D	0501010059	1.5/8 NUT		001	001
44	0501019757	EXTENSION GREASE FITTING		002	002
45	0501045162	ASSEMBLY CARRYING WHEELS ESTABILIZER	6	001	001
46	0501067527	STABILIZER BAR		001	001
47	0501051631	STUB SHAFT & HUB ASSY	7	004	004
48	0521010778	1.25" X 3.15" COUPLING SHAFT		002	002
49	0503010899	5/8 UNC X 2.1/4 BOLT		016	016
50	0503010027	5/8 SPRING WASHER		024	032
51	0503010013	5/8 UNC G.5 ZN HEX NUT		024	032
52	0501011544	3/4" X 1-1/2" BOLT		008	016
53	0503010023	3/4" SPRING WASHER		008	016
54	0501010322	20,50 X 46 X 4,00 ZN FLAT WASHER		008	016
55	0501011432	1-1/2" AND 1-5/8 GANG BOLT WRENCH		002	002
56	0501061045	1" WRENCH CYLINDRICAL		001	001
57	0501068273	5/8" WRENCH		001	001
58	0511010153	2-5/16" FIXED WRENCH		001	001
59	0501047895	25 ROD STOP		002	002
60	0501047885	30 ROD STOP		002	002
61	0501047887	40 ROD STOP		002	002
62	0511059180	HYDRAULIC CYLINDER 50,80 X 101,60 X 515 X 203	8	002	002
63	0521012538	1.2" X 3.5" COUPLING SHAFT		004	004
64	0521010780	1.2" X 4.5" COUPLING SHAFT		001	001
65	0501068994	8,30 X 78 LOCK PIN		002	002
66	0501032682	PLASTIC COVER WITH INSTRUCTIONS MANUAL		001	001
67	0503011432	BOLT		006	002
68	0501053834	MALE QUICK COUPLER	9	002	002
69	0502012702	BODY SUPPORT CLAMP		004	004
70	0503012555	7/16" UNC X 2" CS RT G.7 ZN SCREW		004	004
71	0503010180	7/16" SPRING WASHER		004	004
72	0501068706	DOUBLE CONNECTION		001	001
73	0503010237	3/8" X 1" BOLT		002	002
74	0501010984	10,50 X 27 X 3,00 FLAT WASHER		002	002
75	0503010025	3/8 SPRING WASHER		002	002

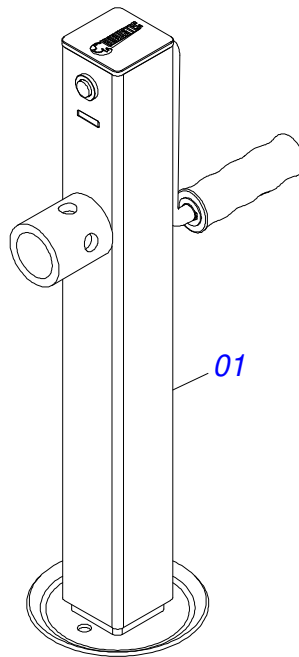


ASSY FRAME

Item	Code	Description	See page	044	048
76	0503010026	3/8" NUT		002	002
77	0501055766	HOSE SET	10	001	001
78		DISC GANG ASSY	11		

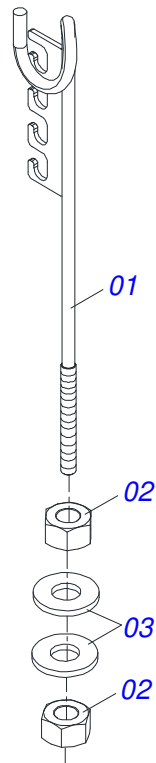


Item	Code	Description	See page	QT
01	0503010893	WHEEL		01
02	0503010033	7.50 X 16 INNER TIRE		01
03	0503010120	CANVAS TIRE		01

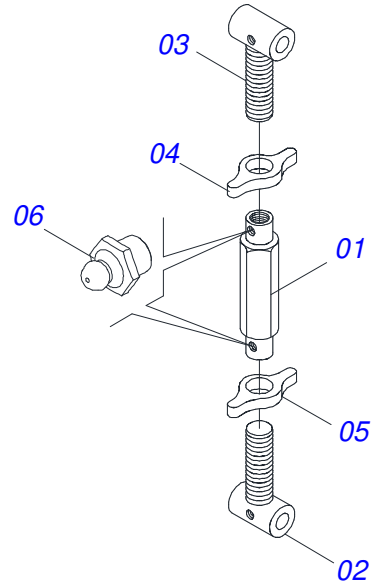


Item	Code	Description	See page	QT
01	0503062157	DRAWBAR JACK	3	01

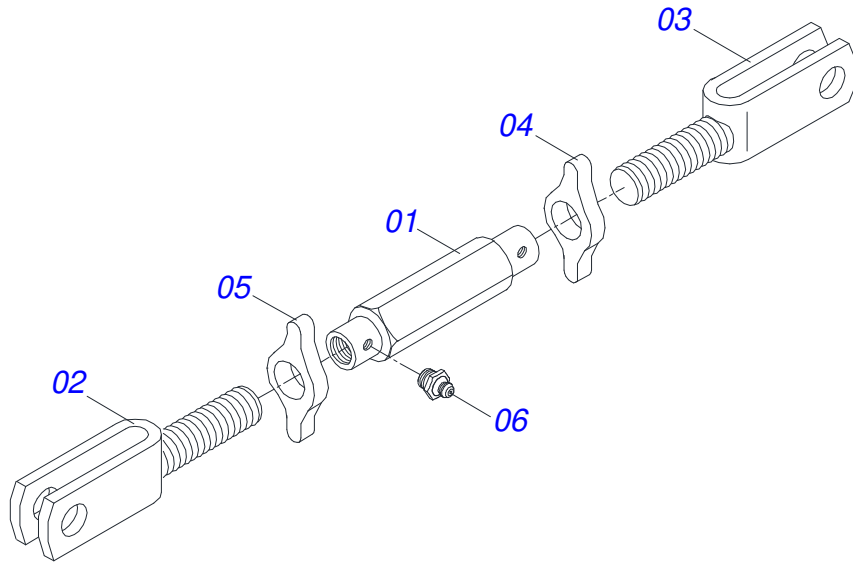




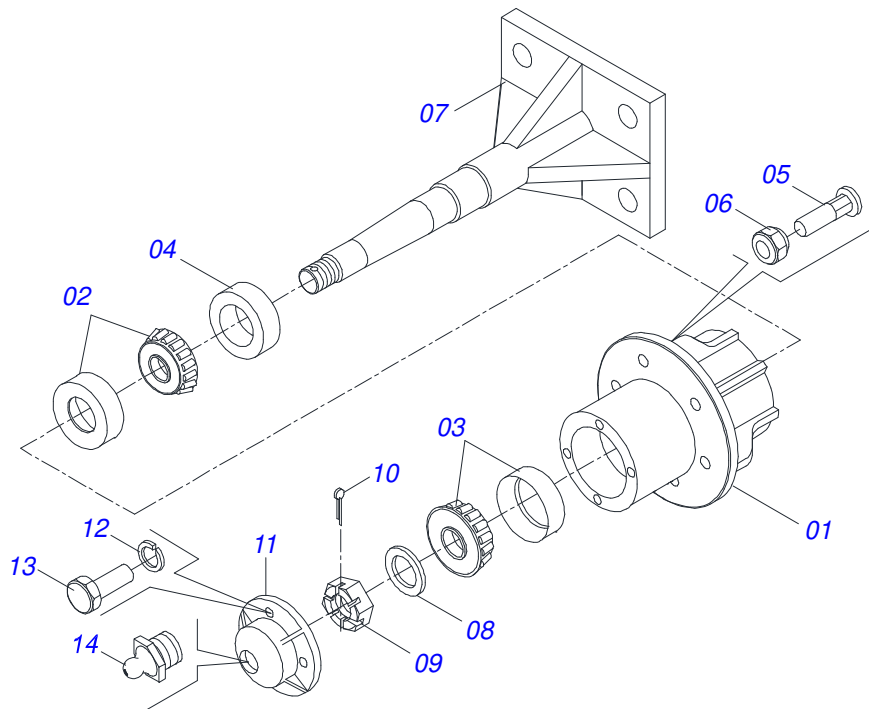
Item	Code	Description	See page	QT
01	0511067334	HOSE SUPPORT		01
02	0503010014	3/4" ZN G.5 (HEAVY) UNC HEX NUT		02
03	0501010322	20,50 X 46 X 4,00 ZN FLAT WASHER		02



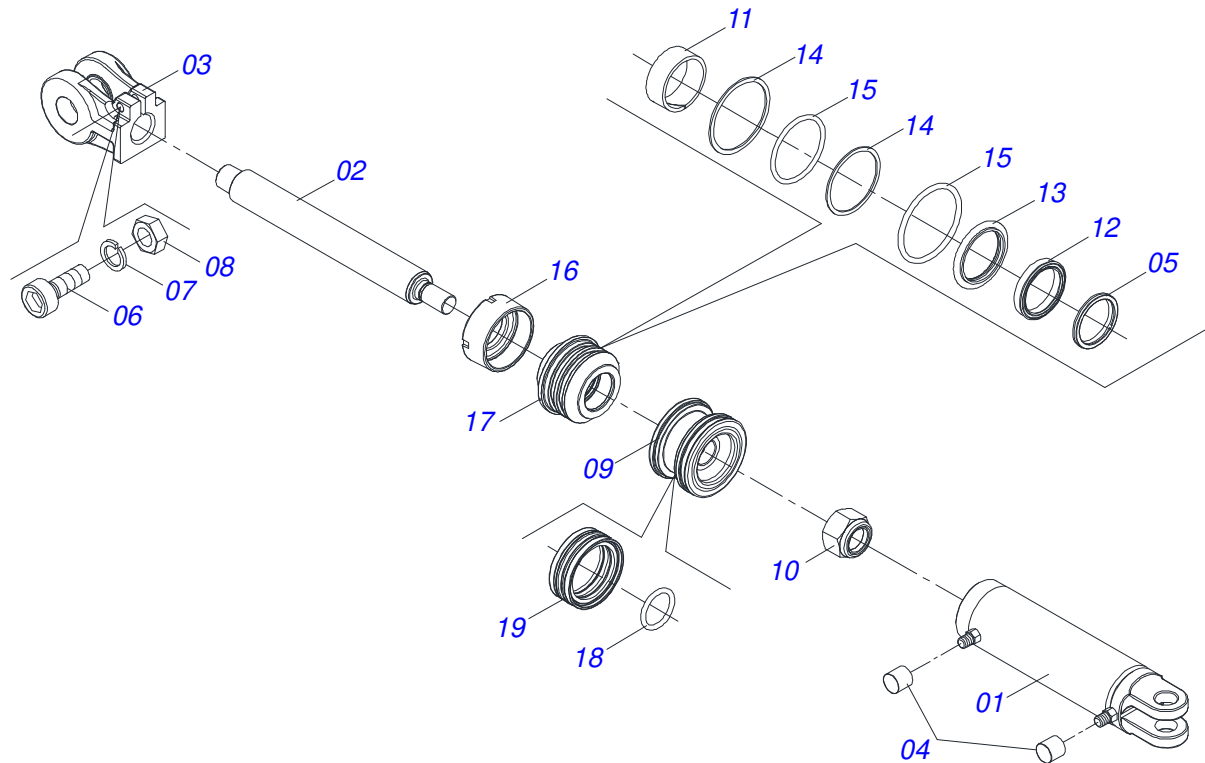
Item	Code	Description	See page
01	0502011195	ADJUSTMENT NUT BODY	01
02	0501064002	LEFT JACK CRANK	01
03	0501064001	RIGHT JACK CRANK	01
04	0541018672	COUNTERNUT	01
05	0541018673	COUNTERNUT	01
06	0503010002	1800 GREASE FITTING	02



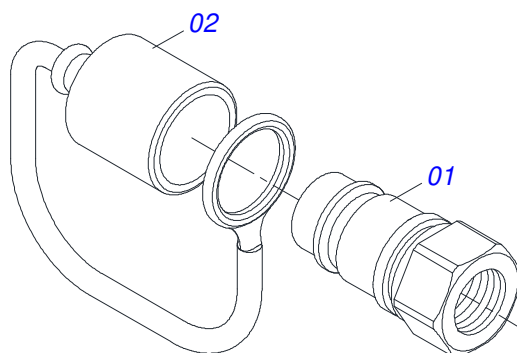
Item	Code	Description	See page	QT
01	0502011195	ADJUSTMENT NUT BODY		01
02	0501066930	LEFT TURNBUCKLE		01
03	0501066931	RIGTH TURNBUCKLE		01
04	0541018672	COUNTERNUT		02
05	0541018673	COUNTERNUT		02
06	0503010002	1800 GREASE FITTING		04



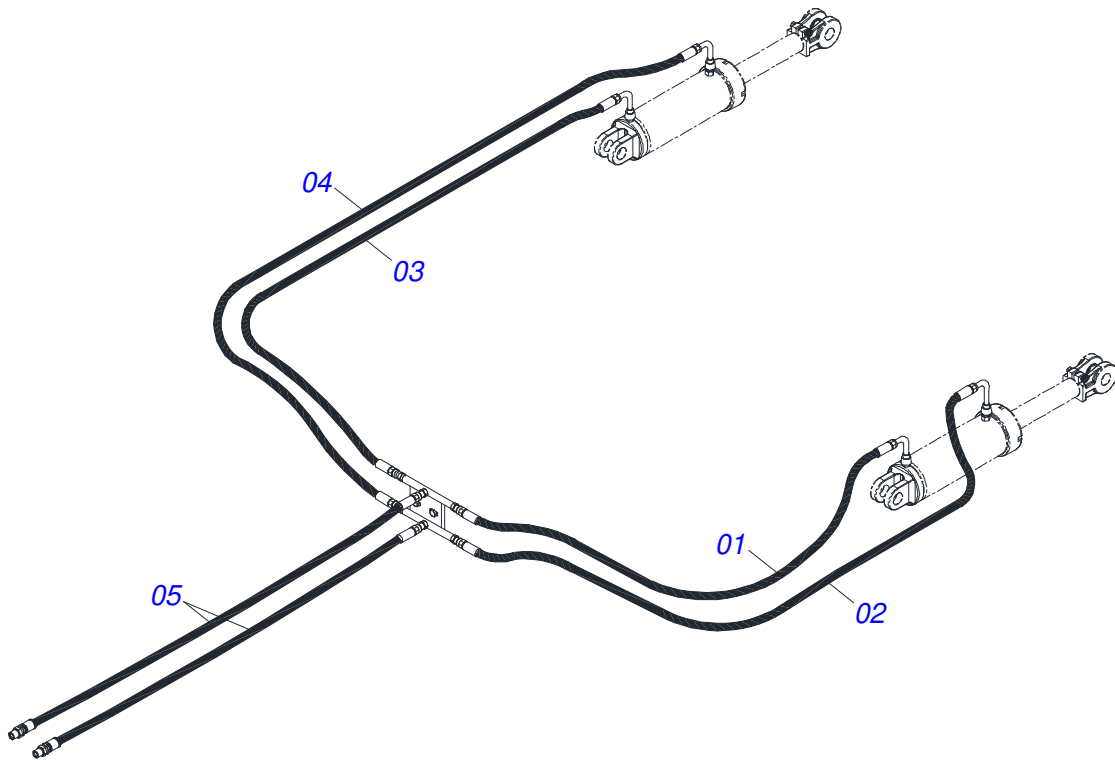
Item	Code	Description	See page	QT
01	0502011121	CARRYING WHEEL HUB		01
02	0503010006	32210 ROLLER BEARING		01
03	0503010037	30207 ROLLER BEARING		01
04	0503012928	SEAL		01
05	0501010127	9/16" X 1-7/8" LUG BOLT		06
06	0503010035	9/16" CONIC NUT		06
07	0501069087	WHEEL FIXING SUPPORT		01
08	0501016545	FLAT WASHER		01
09	0503030009	1" CASTLE NUT		01
10	0503010018	5/32" X 1-1/2" SPLIT PIN		01
11	0502020591	PROTECCION COVER		01
12	0503011444	SPRING WASHER 5/16"		04
13	0503010358	5/16" X 5/8" BOLT		04
14	0503010002	1800 GREASE FITTING		01



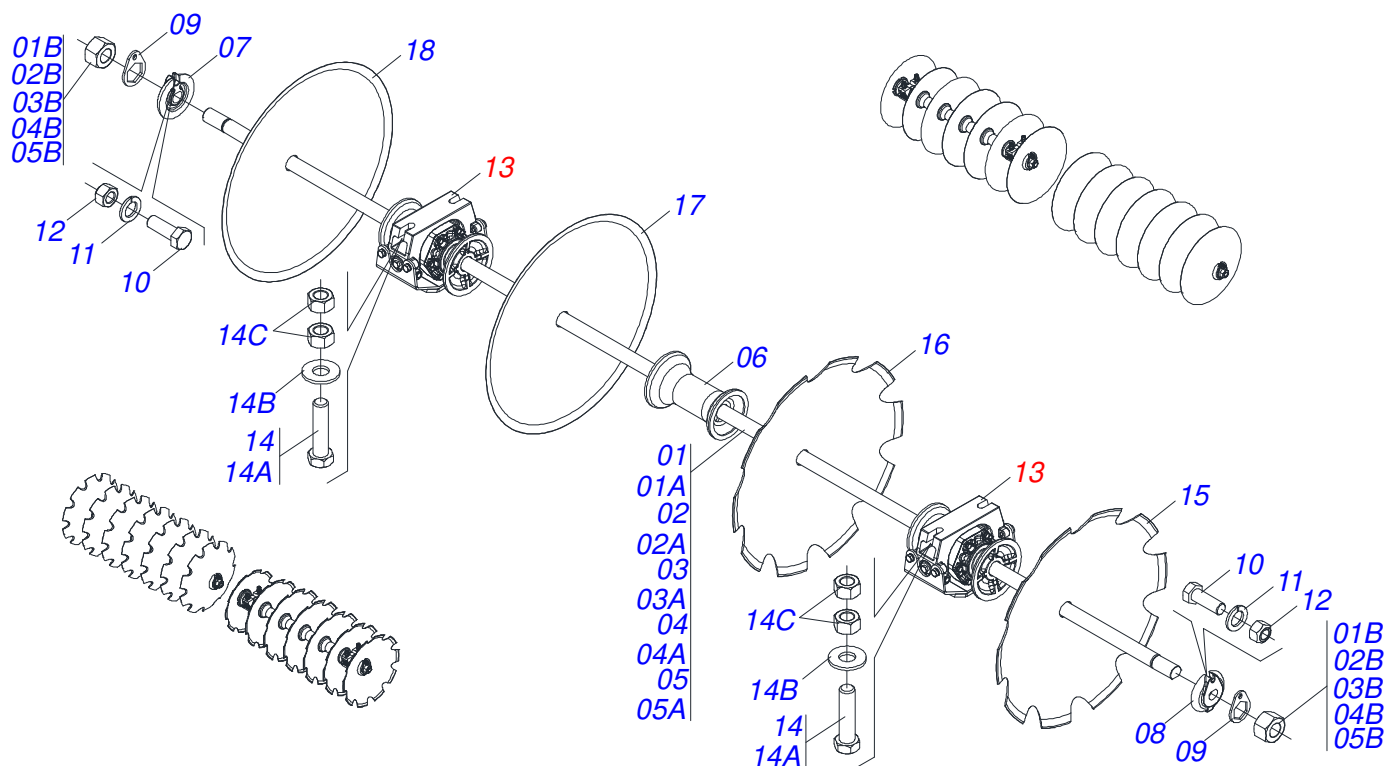
Item	Code	Description	See page	QT
01	0511070658	CYLINDER CASE		01
02	0571019958	HYDRAULIC CYLINDER TURNBUCKLE		01
03	0502040747	32.54 CLEVIS CLAMP		01
04	0503030385	CYLINDER PLUG N-002		02
05	0503010039	D-2000 SCRAPER RING		01
06	0503011094	BOLT 3/8" UNC X 2" C C S I 12.9		01
07	0503011443	SPRING WASHER 3/8"		01
08	0503010026	3/8" NUT		01
09	0502012820	2" X 4" PISTON		01
10	0503010817	1.1/4" SELF LOCKING NUT		01
11	0503018025	RING GUIDE W2-2250-750		01
12	0503018026	GASKET 1870-2000-375 B POLYMAX		01
13	0503018024	RING BS OD050805200171D-BR		01
14	0503010338	2-342 N 3006-9B O'RING		02
15	0503011061	8-342 BACK-UP RING		02
16	0502012822	END CAP 4"		01
17	0502012821	2" X 4" RING SUPPORT		01
18	0503018029	O'RING 2-217 N 3006 90B		01
19	0503015633	SELEMASTER SEALING		01



Item	Code	Description	See page	QT
01	0503011627	MALE QUICK COUPLER AGR 1/2 NPT		01
02	0503011882	MALE QUICK COUPLER CAP		01



Item	Code	Description	See page	QT
01	0501080431	3/8" X 1900 TR-TC HOSE ASSY		01
02	0501080419	3/8" X 82,6" TR-TC HOSE		01
03	0501080469	3/8" X 98.42" TR-TR HOSE ASSY		01
04	0501080401	3/8" X 106" TR-TC HOSE		01
05	0501080361	3/8" X 157" TR-TM HOSE		02
06	0503033158	PLASTIC BAG		01

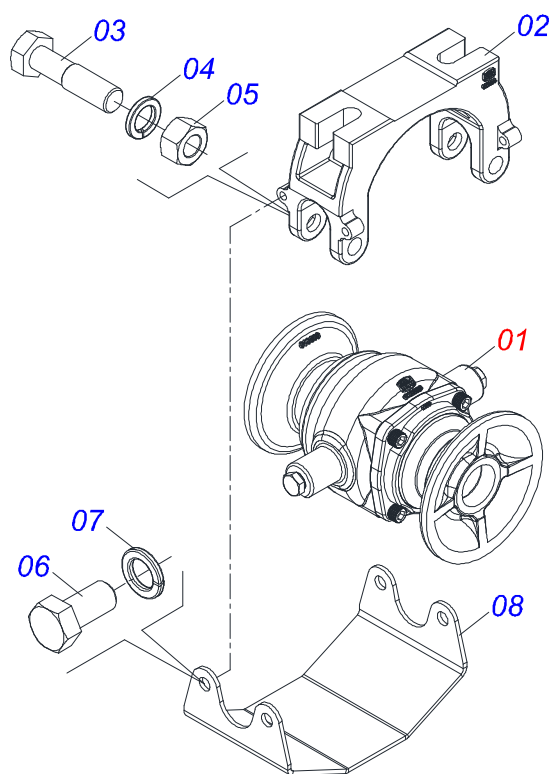


Item	Code	Description	See page	044	048
01	0501043758	1-1/2" X 2425 AXLE WITH NUTS		002	000
01A	0511012603	1.1/2" X 2425 AXLE W/NUTS		001	000
01B	0501010110	1.1/2 NC 6FPP 2.3/8 HEXAGONAL NUT		002	000
02	0501044069	1.1/2" X 2655 AXLE WITH/NUTS		002	000
02A	0511010853	1.1/2" X 2655 AXLE W/NUTS		001	000
02B	0501010110	1.1/2 NC 6FPP 2.3/8 HEXAGONAL NUT		002	000
03	0501043835	1.1/2" X 1040 AXLE W/NUT		000	002
03A	0511010224	1.1/2" X 1040 AXLE		000	001
03B	0501010110	1.1/2 NC 6FPP 2.3/8 HEXAGONAL NUT		000	002
04	0501043689	1-1/2" X 1275 AXLE W/NUT		000	002
04A	0511012600	1-1/2" X 1275 AXLE		000	001
04B	0501010110	1.1/2 NC 6FPP 2.3/8 HEXAGONAL NUT		000	002
05	0501043697	1.1/2 6FPP X 1505 AXLE WITH NUTS		000	004
05A	0511012601	1.1/2 6FPP X 1505 AXLE		000	001
05B	0501010110	1.1/2 NC 6FPP 2.3/8 HEXAGONAL NUT		000	002
06	0502010621	8.8" 1-1/2" SPACER		030	026
07	0502010871	EXTERNAL AXLE WASHER 1.1/2"		004	008
08	0502010872	1-1/2" INNER AXLE WASHER		004	008
09	0501018592	1.5/8 HEX 60,0/60,2 LOCK NUT		008	016
10	0503011267	BOLT 5/8" UNC X 1.1/2 C S G.5 ZN		008	016
11	0503010027	5/8 SPRING WASHER		008	016
12	0503010013	5/8 UNC G.5 ZN HEX NUT		008	016
13	0521047184	DMO 225 X 1.1/2 AGRICULTURAL BEARING	12	012	016
14	0521047597	ASSEMBLY SCREW 5/8 UNC X 2.1/2 BEARING		024	032
14A	0503010233	5/8" X 2-1/2" BOLT		001	001
14B	0501012140	FLAT WASHER 16,50 X 40 X 4,00 ZN		001	001
14C	0503010013	5/8 UNC G.5 ZN HEX NUT		002	002
15	0602030331	DR 24X6 C72AF02FR1.9/16 10REC TATU		020	000
15.	0602033252	DR 26 X 6,00 C89AF02FR1.9/16 10R		000	022
16	0602029413	DR 22 X 6,00 C74AF02FR1.9/16 10R		002	000
16.	0602027348	DR 20X4,5 C50AF02FR1.9/16 3REC TATU		002	000
16..	0602030331	DR 24X6 C72AF02FR1.9/16 10REC TATU		000	002

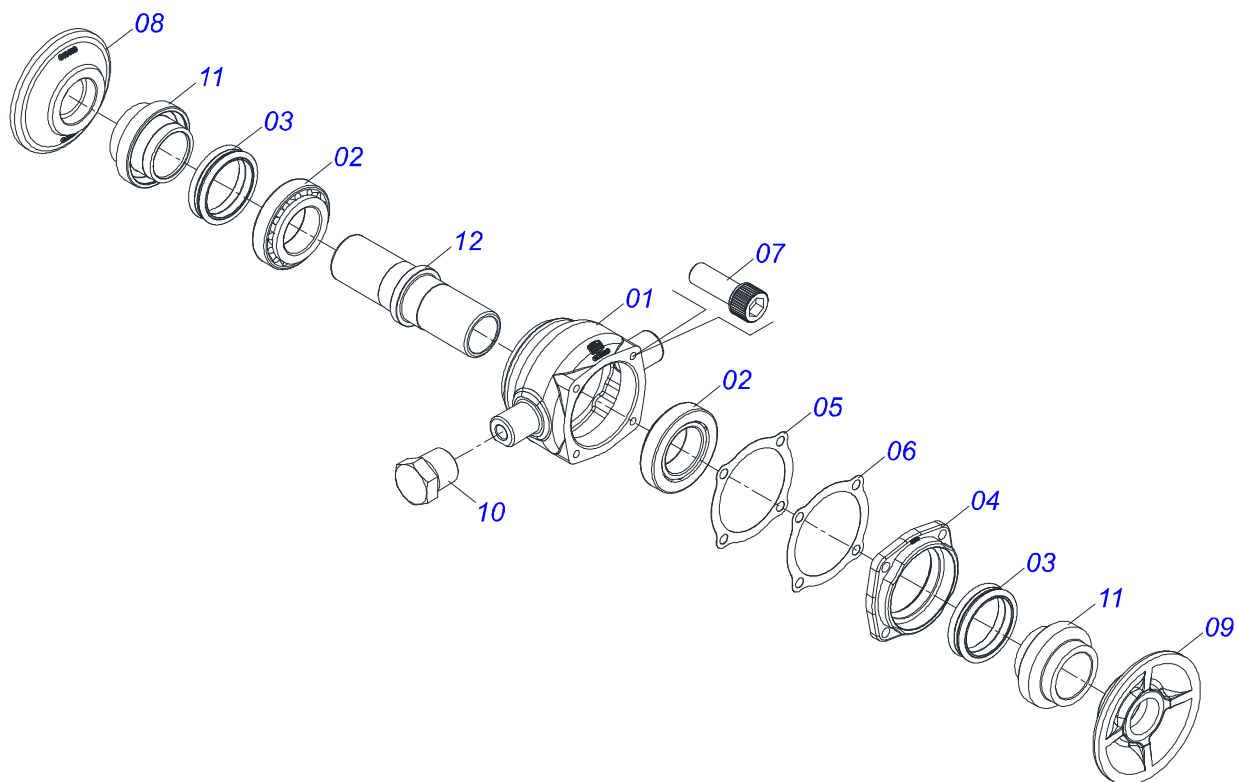




Item	Code	Description	See page	044	048
17	0601029409	DL 22 X 6,00 C74AF02FR1.9/16		002	000
18	0601031031	DL 24X6 C72AF02FR1.9/16 TATU		020	002
18.	0601033237	DL 26X6 C90AF02FR1.9/16 TATU TERRAME		000	022

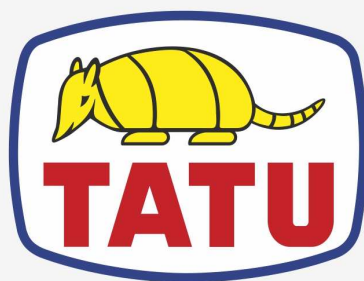


Item	Code	Description	See page	QT
01	0521050837	DMO 225 X 1.1/2 IMP AGRICULTURAL BEARING	13	01
02	0502012854	BEARING SUPPORT 182/192,5		01
03	0501011541	5/8 UNC X 3 CS G.5 ZN1K28066 BOLT		02
04	0503010027	5/8 SPRING WASHER		02
05	0503010013	5/8 UNC G.5 ZN HEX NUT		02
06	0503011334	3/8 UNC X 3/4 CS G.5 ZN BOLT		04
07	0503010025	3/8 SPRING WASHER		04
08	0581014143	SWIVEL OIL BATH BEARING WEAR PLATE		01



Item	Code	Description	See page	QT
01	0502012839	BEARING HOUSING 182/192,5		01
02	0503010006	32210 ROLLER BEARING		02
03	0503030026	SEAL LP JB-253		02
04	0502020424	HOUSING CAP 182/192,225		01
05	0503030013	4.4" X 3.5" X 0.004" JOINT		01
06	0503030684	4.4" X 3.5" X 0.004" JOINT		01
07	0503010134	3/8" X 1" BOLT		04
08	0502010605	INNER FLANGE		01
09	0502010604	OUTER FLANGE		01
10	0503010856	OIL PLUG R 3/8 BSPT		02
11	0502010821	RETAINER HOLDER WITH BUSHING		02
12	0502040611	AXLE		01





**MARCHESAN**

**Technical Publications | Elaboration and Revision**

ALESSANDRA PATRICIA KAWAHARA CARRILI

[www.marchesan.com.br](http://www.marchesan.com.br)

