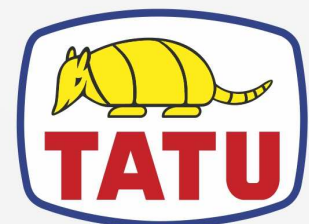


**DOUBLE OFFSET DISK HARROW**

**GTD R - 44/48D**  
**GTD R - 44/48D**

**Code:** 0501093839  
**Series:** S-0224  
**Revision:** 00  
**Revision Date:** MARCH/2024

# **PARTS CATALOGUE**



**MARCHESAN**



# PRODUCTS

Code	Working Width	Description
0102430706		GTD R 44X26X6 DR DMO E 1.5/8 FF S-0224
0102430705		GTD R 44X26X6 MT DMO E 1.5/8 FF S-0224
0102430707		GTD R 48X26X6 DR DMO E 1.5/8 FF S-0224
0102430708		GTD R 48X26X6 MT DMO E 1.5/8 FF S-0224

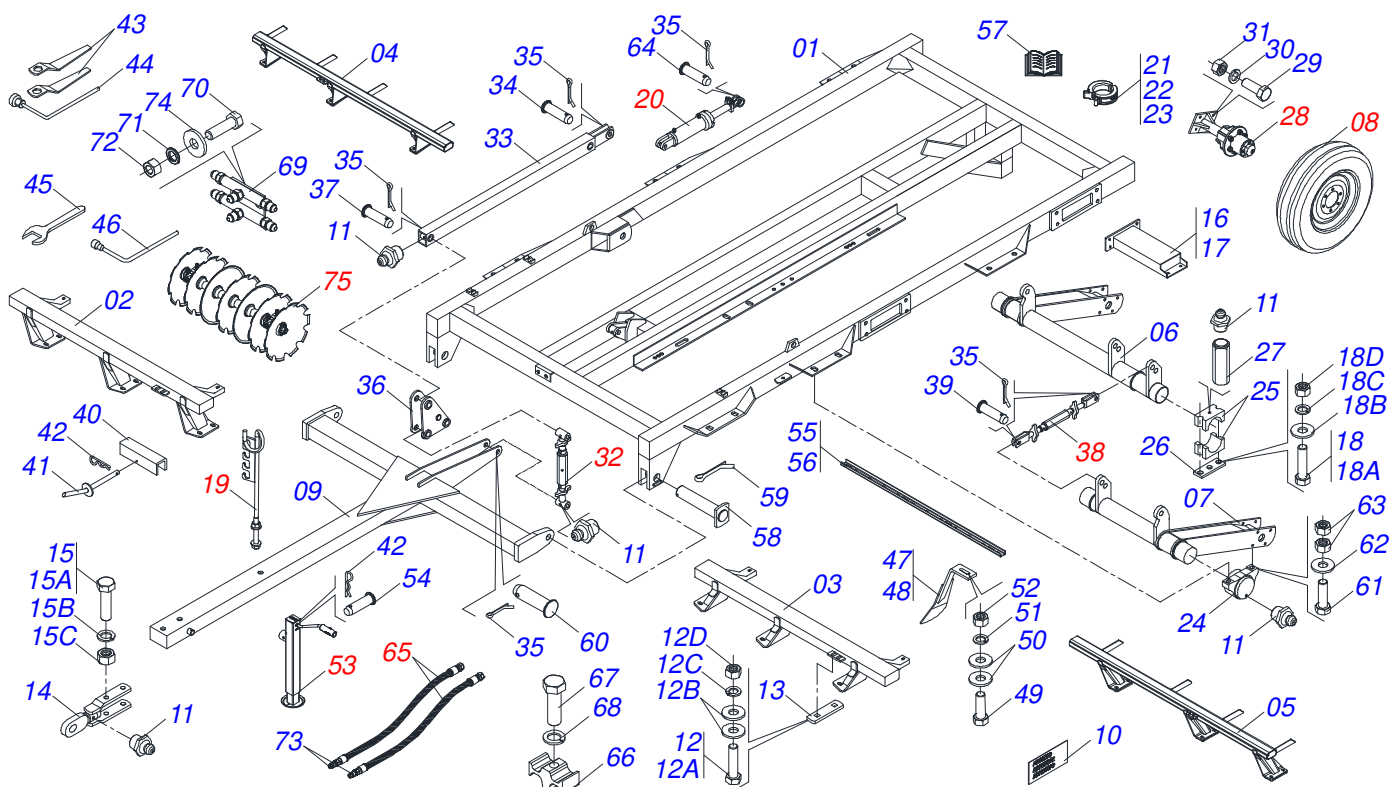
## ATTENTION: IMPORTANT

Marchesan S.A. reserves the right to improve and/or modify the technical features of its products, without obligation to do the same with those products already sold and without prior knowledge of the dealer or the customer. The photos are only illustrative.



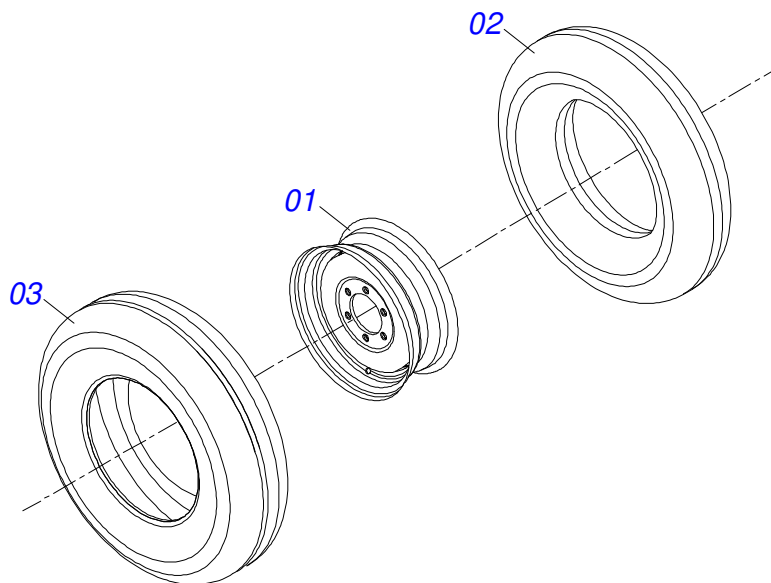
# INDEX

0909097147	ASSY FRAME	.....	1
0503060091	L 29.5" X 0.63"-10L WHEEL AND TIRE ASSY	.....	2
0501040257	3/4" X 38" HOSE SUPPORT ASSY	.....	3
0511059180	HYDRAULIC CYLINDER 50,80 X 101,60 X 515 X 203	.....	4
0501051631	STUB SHAFT & HUB ASSY	.....	5
0501044204	ESTABILIZER ASSY	.....	6
0501045162	ASSEMBLY CARRYING WHEELS ESTABILIZER	.....	7
0503062157	DRAWBAR JACK	.....	8
0501055766	HOSE SET	.....	9
0909097148	DISC GANG ASSY	.....	10
0511048374	BEARING WITH SUPPORT PROTECTION	.....	11
0501059734	BEARING DMO 225 X 1.5/8 IMP	.....	12

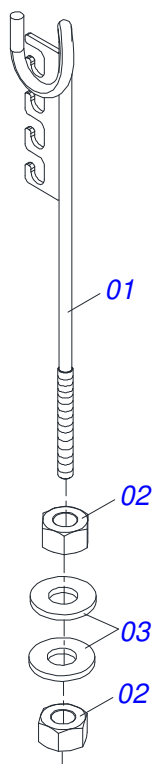


Item	Code	Description	See page	044	048
01	0501068605	FRAME - 40/44D		001	000
01.	0501067533	FRAME - 48/52D		000	001
02	0511064796	RIGHT FRONT FRAME - 44D		001	000
02.	0511064800	RIGHT FRONT FRAME - 48D		000	001
03	0511064797	LEFT FRONT FRAME - 44D		001	000
03.	0511064801	LEFT FRONT FRAME - 48D		000	001
04	0511064798	RIGHT REAR FRAME - 44D		001	000
04.	0511064802	RIGHT REAR FRAME - 48D		000	001
05	0511064799	REAR LEFT FRAME - 44D		001	000
05.	0511064803	LEFT FRONT FRAME - 48D		000	001
06	0501069059	RIGHT WHEEL SUPPORT		001	001
07	0501069060	LEFT WHEEL SUPPORT		001	001
08	0503060091	L 29.5" X 0.63"-10L WHEEL AND TIRE ASSY	2	004	004
09	0501066067	DRAWBAR		001	001
10	0503060835	GTD ADHESIVE LABEL SET SILVER		001	001
11	0503010002	1800 GREASE FITTING		007	007
12	0511042229	1" X 6" BOLT		016	016
12A	0503013113	1" X 6" BOLT		001	001
12B	0501010065	1" SPRING WASHER		002	002
12C	0503010012	1" SPRING WASHER		001	001
12D	0501010059	1.5/8 NUT		001	001
13	0511013056	FIXING BASE FRAME		008	008
14	0501065566	TRACTOR HITCH		001	001
15	0501041894	1" X 7" ASSY BOLT		002	002
15A	0501010334	1" X 7" BOLT		001	001
15B	0503010012	1" SPRING WASHER		001	001
15C	0501010059	1.5/8 NUT		001	001
16	0501066137	REAR ADJUSTMENT		002	002
17	0501066136	FRONT ADJUSTMENT		000	002
18	0501042309	1" X 9" AR ASSY BOLT		002	002
18A	0501010064	BOLT 1" UNC X 9 CS G.5 ZN		001	001
18B	0501010065	1" SPRING WASHER		001	001

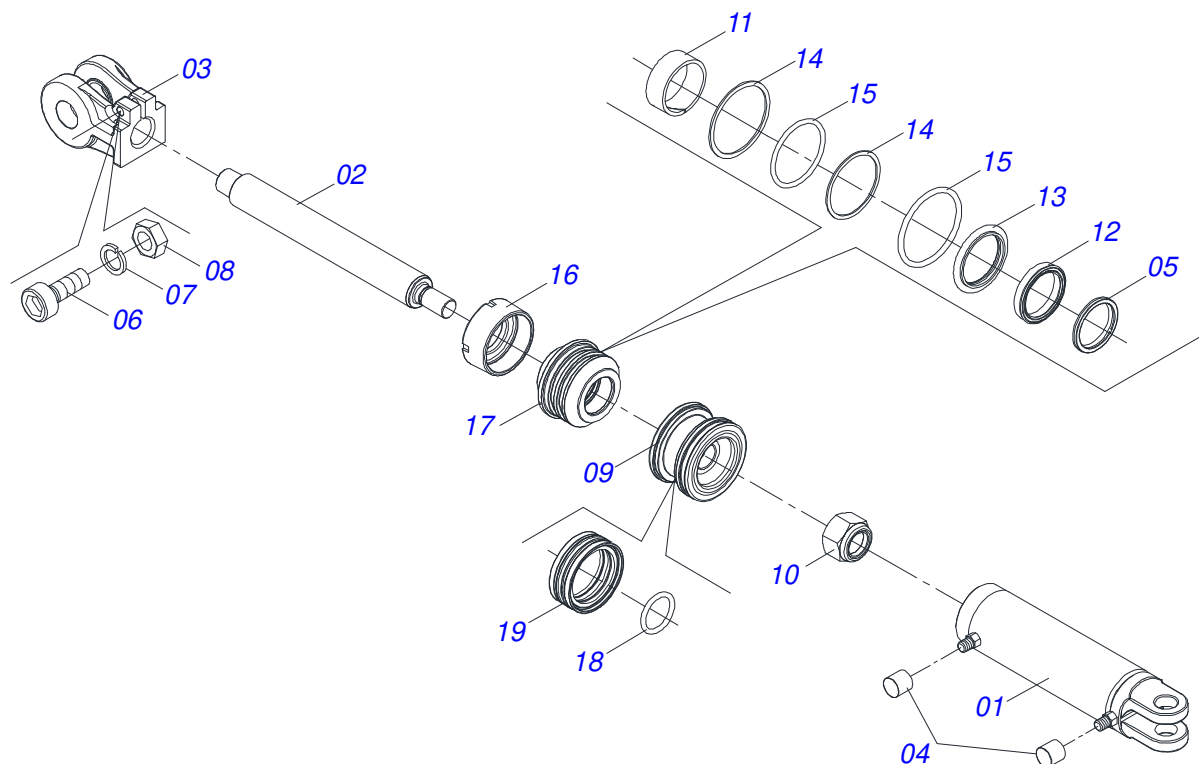
Item	Code	Description	See page	044	048
18C	0503010012	1" SPRING WASHER		001	001
18D	0501010059	1.5/8 NUT		001	001
19	0501040257	3/4" X 38" HOSE SUPPORT ASSY	3	001	001
20	0511059180	HYDRAULIC CYLINDER 50,80 X 101,60 X 515 X 203	4	002	002
21	0501047895	25 ROD STOP		002	002
22	0501047885	30 ROD STOP		002	002
23	0501047887	40 ROD STOP		002	002
24	0502010972	ARTICULATION BEARING		003	003
25	0502010673	BEARING SEMI		002	002
26	0501015593	SUPPORT PLATE		001	001
27	0501019757	EXTENSION GREASE FITTING		002	002
28	0501051631	STUB SHAFT & HUB ASSY	5	004	004
29	0503010899	5/8 UNC X 2.1/4 BOLT		016	016
30	0503010027	5/8 SPRING WASHER		032	032
31	0503010013	5/8 UNC G.5 ZN HEX NUT		032	032
32	0501044204	ESTABILIZER ASSY	6	001	001
33	0501067527	STABILIZER BAR		001	001
34	0521010780	1.2" X 4.5" COUPLING SHAFT		001	001
35	0503010523	1/4" X 2" SPLIT PIN		011	011
36	0501065531	ROCKER ARM		001	001
37	0501019719	1.1/4" X 155MM COUPLING SHAFT		003	003
38	0501045162	ASSEMBLY CARRYING WHEELS ESTABILIZER	7	001	001
39	0521010778	1.25" X 3.15" COUPLING SHAFT		002	002
40	0511010839	TRANSPORT LOCK 7.9" X 2.1" X 0.4"		002	002
41	0501068994	8,30 X 78 LOCK PIN		002	002
42	0503030168	HITCH PIN CLIP		003	003
43	0501011431	1-3/4" GANG BOLT WRENCH		002	002
44	0503016140	3/4" WRENCH CABLE CYLINDRICAL		001	001
45	0511010153	2-5/16" FIXED WRENCH		001	001
46	0501061045	1" WRENCH CYLINDRICAL		001	001
47	0511060599	LEFT FRONT CLEANER		023	025
48	0511060598	RIGHT FRONT CLEANER		023	025
49	0503011082	C1/2" X 1.3/4" SCREW		046	050
50	0511017302	FLAT WASHER 13,50 X 32,50 X 3,0 ZN		092	100
51	0503010019	1/2" SPRING WASHER		046	050
52	0503010060	1/2 UNC G.5 ZN HEX NUT		046	050
53	0503062157	DRAWBAR JACK	8	001	001
54	0521010549	COUPLING SHAFT		001	001
55	0541010757	FRONT FASTENING BAR 2570 - 44D		002	000
55.	0541010758	FRONT FASTENING BAR 2820 - 48D		000	002
56	0531019615	REAR FASTENING BAR 2690 - 44D		002	000
56.	0531019614	REAR FASTENING BAR 2960 - 48D		000	002
57	0501032682	PLASTIC COVER WITH INSTRUCTIONS MANUAL		001	001
58	0521010620	1.5" X 4.6" COUPLING SHAFT		002	002
59	0503010534	3/8" X 2.1/2" SPLIT PIN		002	002
60	0521010546	1.2" X 5.7" COUPLING SHAFT		001	001
61	0503011432	BOLT		006	006
62	0501010065	1" SPRING WASHER		006	006
63	0501010059	1.5/8 NUT		006	006
64	0521012538	1.2" X 3.5" COUPLING SHAFT		004	004
65	0501055766	HOSE SET	9	001	001
66	0502012702	BODY SUPPORT CLAMP		005	005
67	0503012555	7/16" UNC X 2" CS RT G.7 ZN SCREW		005	005
68	0503010180	7/16" SPRING WASHER		005	005
69	0501068706	DOUBLE CONNECTION		001	001
70	0503010237	3/8" X 1" BOLT		002	002
71	0503010025	3/8 SPRING WASHER		002	002
72	0503010026	3/8" NUT		002	002
73	0503011627	MALE QUICK COUPLER AGR 1/2 NPT		002	002
74	0501010984	10,50 X 27 X 3,00 FLAT WASHER		002	002
75		DISC GANG ASSY	10		



Item	Code	Description	See page	QT
01	0503010893	WHEEL		01
02	0503010033	7.50 X 16 INNER TIRE		01
03	0503010120	CANVAS TIRE		01

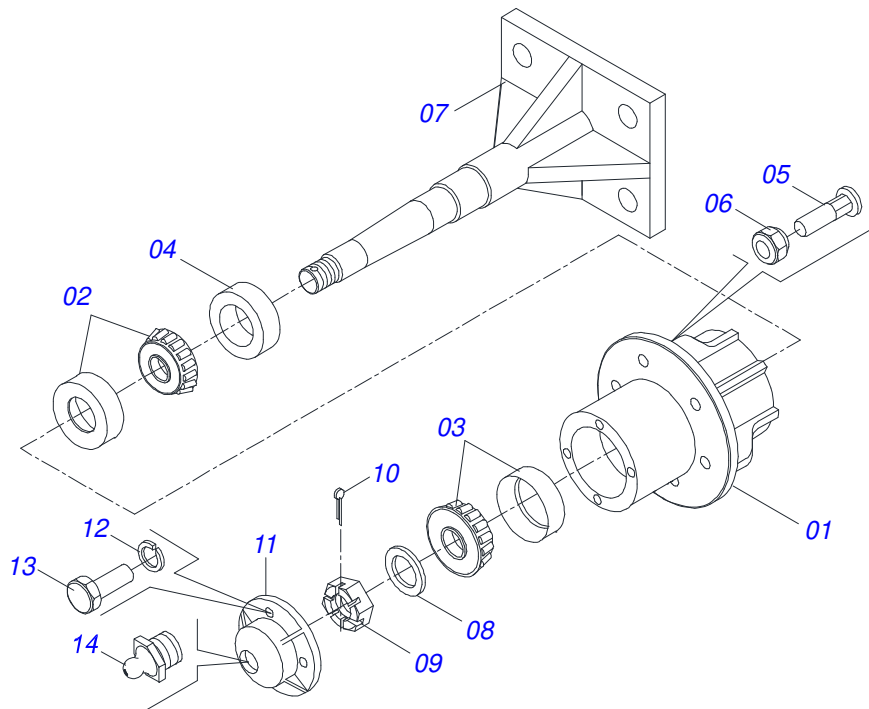


Item	Code	Description	See page	QT
01	0511067334	HOSE SUPPORT		01
02	0503010014	3/4" ZN G.5 (HEAVY) UNC HEX NUT		02
03	0501010322	20,50 X 46 X 4,00 ZN FLAT WASHER		02

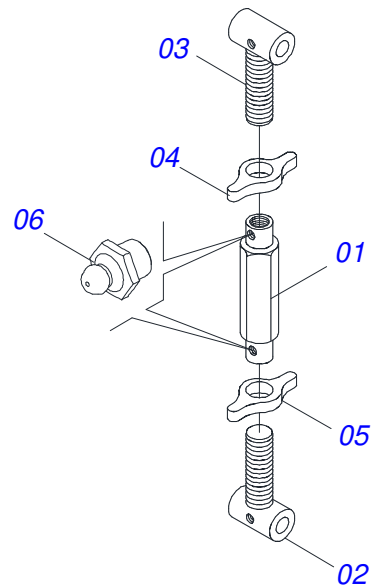


Item	Code	Description	See page	QT
01	0511070658	CYLINDER CASE		01
02	0571019958	HYDRAULIC CYLINDER TURNBUCKLE		01
03	0502040747	32.54 CLEVIS CLAMP		01
04	0503030385	CYLINDER PLUG N-002		02
05	0503010039	D-2000 SCRAPER RING		01
06	0503011094	BOLT 3/8" UNC X 2" C C S I 12.9		01
07	0503011443	SPRING WASHER 3/8"		01
08	0503010026	3/8" NUT		01
09	0502012820	2" X 4" PISTON		01
10	0503010817	SELF LOCKING NUT 1.1/4 UNF ALTA G.5 ZN		01
11	0503018025	RING GUIDE W2-2250-750		01
12	0503018026	GASKET 1870-2000-375 B POLYMAX		01
13	0503018024	RING BS OD050805200171D-BR		01
14	0503010338	2-342 N 3006-9B O-RING		02
15	0503011061	8-342 BACK-UP RING		02
16	0502012822	END CAP 4"		01
17	0502012821	2" X 4" RING SUPPORT		01
18	0503018029	O-RING 2-217 N 3006 90B		01
19	0503015633	SELEMASTER SEALING		01

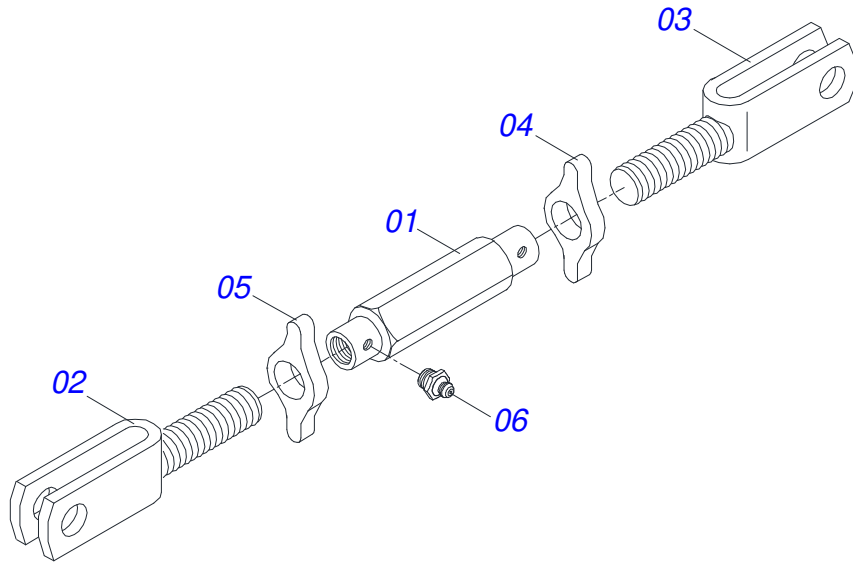




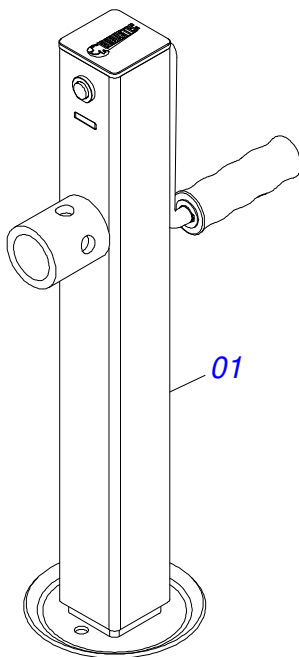
Item	Code	Description	See page	QT
01	0502011121	CARRYING WHEEL HUB		01
02	0503010006	32210 ROLLER BEARING		01
03	0503010037	30207 ROLLER BEARING		01
04	0503012928	SEAL		01
05	0501010127	9/16" X 1-7/8" LUG BOLT		06
06	0503010035	9/16" CONIC NUT		06
07	0501069087	WHEEL FIXING SUPPORT		01
08	0501016545	FLAT WASHER		01
09	0503030009	1" CASTLE NUT		01
10	0503010018	5/32" X 1-1/2" SPLIT PIN		01
11	0502020591	PROTECCION COVER		01
12	0503011444	SPRING WASHER 5/16"		04
13	0503010358	5/16" X 5/8" BOLT		04
14	0503010002	1800 GREASE FITTING		01



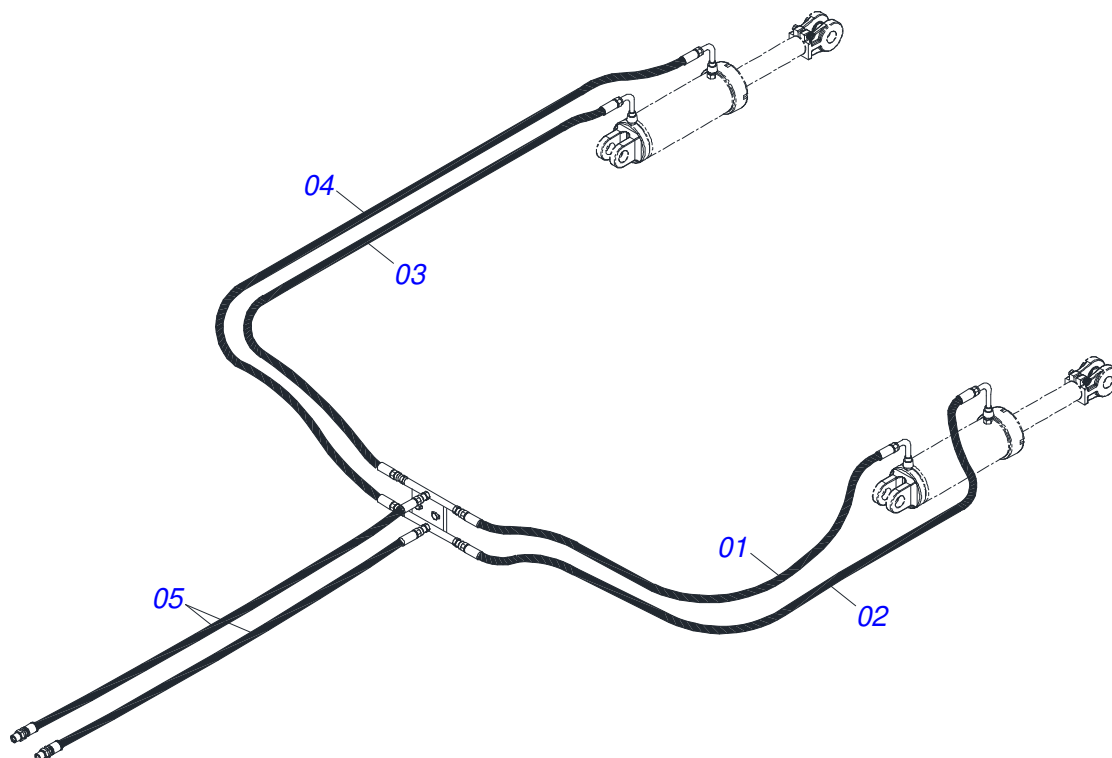
Item	Code	Description	See page
01	0502011195	ADJUSTMENT NUT BODY	01
02	0501064002	LEFT JACK CRANK	01
03	0501064001	RIGHT JACK CRANK	01
04	0541018672	COUNTERNUT	01
05	0541018673	COUNTERNUT	01
06	0503010002	1800 GREASE FITTING	02



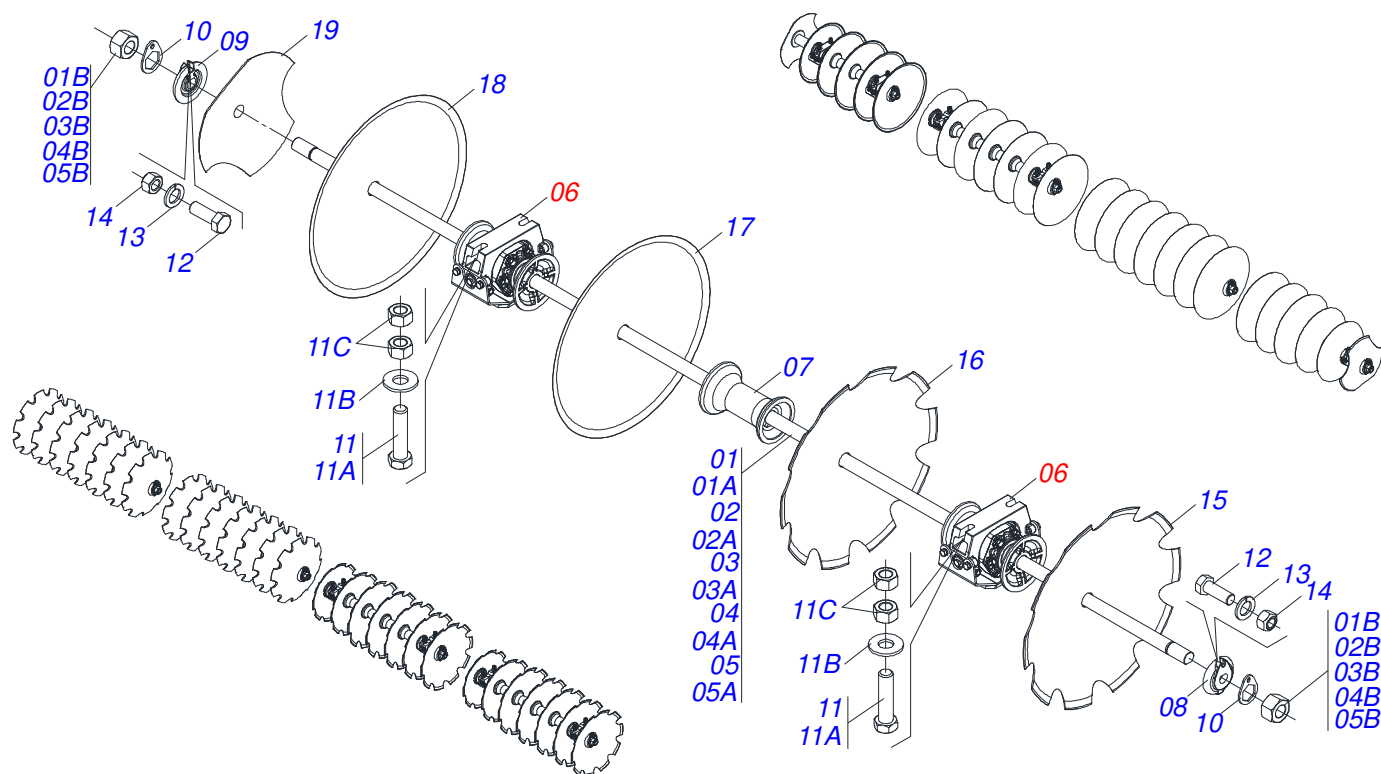
Item	Code	Description	See page	QT
01	0502011195	ADJUSTMENT NUT BODY		01
02	0501066930	LEFT TURNBUCKLE		01
03	0501066931	RIGTH TURNBUCKLE		01
04	0541018672	COUNTERNUT		02
05	0541018673	COUNTERNUT		02
06	0503010002	1800 GREASE FITTING		04



Item	Code	Description	See page	QT
01	0503062157	DRAWBAR JACK	8	01

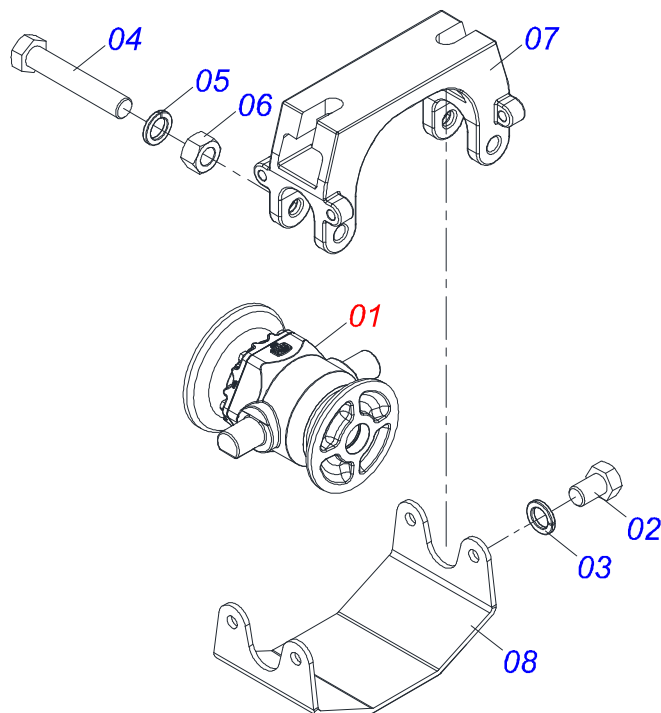


Item	Code	Description	See page	QT
01	0501080431	3/8" X 1900 TR-TC HOSE ASSY		01
02	0501080419	3/8" X 82,6" TR-TC HOSE		01
03	0501080469	3/8" X 98.42" TR-TR HOSE ASSY		01
04	0501080401	3/8" X 106" TR-TC HOSE		01
05	0501080361	3/8" X 157" TR-TM HOSE		02
06	0503033158	PLASTIC BAG		01

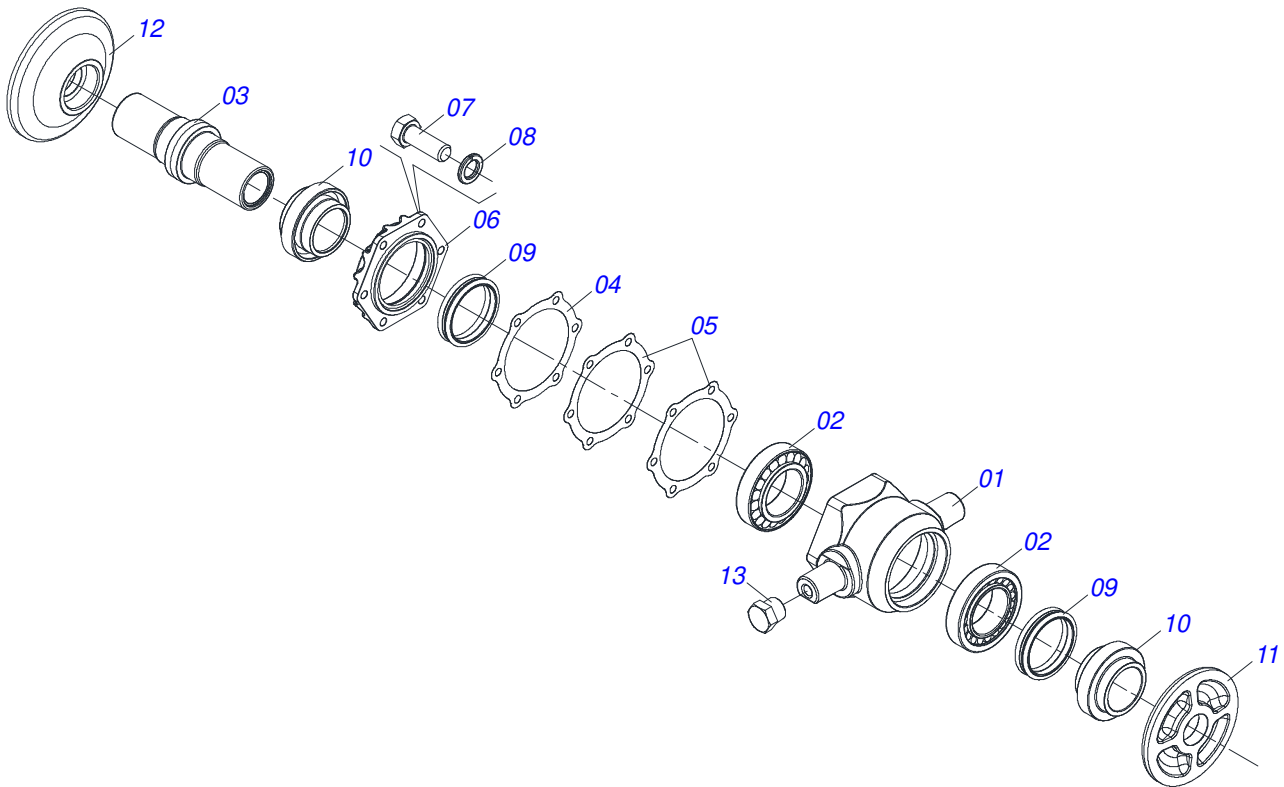


Item	Code	Description	See page	044	048
01	0501044429	1-5/8" X 2465 AXLE		002	000
01A	0511013535	1.5/8" X 2465 5AXLE		001	000
01B	0502040640	1.5/8" 2.3/4" NUT		002	000
02	0501046810	1.5/ 8X 2700 AXLE		002	000
02A	0511016878	1.5/8 X 2700 AXLE		001	000
02B	0502040640	1.5/8" 2.3/4" NUT		002	000
03	0501046853	1-5/8" X 43" AXLE WITH NUTS 2-3/4		000	002
03A	0501015029	1-5/8" X 43" AXLE		000	001
03B	0502040640	1.5/8" 2.3/4" NUT		000	002
04	0501046855	1-5/8" X 52" AXLE WITH NUTS 2-3/4		000	002
04A	0501015237	1-5/8" X 52" AXLE		000	001
04B	0502040640	1.5/8" 2.3/4" NUT		000	002
05	0501046857	1-5/8" X 61" AXLE WITH NUTS 2-3/4"		000	004
05A	0501015632	1-5/8" X 61" AXLE		000	001
05B	0502040640	1.5/8" 2.3/4" NUT		000	002
06	0511048374	BEARING WITH SUPPORT PROTECTION	11	012	016
07	0502010626	8.9" 1-5/8" SPACER		030	026
08	0502011047	1-5/8" INNER AXLE WASHER		004	008
09	0502011048	1-5/8" EXTERNAL AXLE WASHER		004	008
10	0511014339	1-5/8" 2.8" NUT LOCK		008	016
11	0521047424	SCREW ASSY		024	032
11A	0501010500	3/4" X 3" BOLT		001	001
11B	0501010322	20,50 X 46 X 4,00 ZN FLAT WASHER		001	001
11C	0503012183	SNC 3/4" ZIN 1K03097 NUT		002	002
12	0503011267	BOLT 5/8" UNC X 1.1/2 C S G.5 ZN		008	016
13	0503010027	5/8 SPRING WASHER		008	016
14	0503010013	5/8 UNC G.5 ZN HEX NUT		008	016
15	0602033232	DR 26 X 6,00 C89AF02FR1.11/16 10R		020	022
16	0602030369	24" X 0.2" NOTCHED DISC BLADE		002	002
17	0601033215	26"X 0.2" PLAIN DISC BLADE		020	022
18	0601031076	26"X 0.2" PLAIN DISC BLADE		002	002
19	0602029360	DR 22X6 C69AF02FR1.11/16 03REC TATU		002	002

BEARING WITH SUPPORT PROTECTION



Item	Code	Description	See page	QT
01	0501059734	BEARING DMO 225 X 1.5/8 IMP	12	01
02	0503010834	1/2 X 1 BOLT		04
03	0503010019	1/2" SPRING WASHER		04
04	0503010762	SCREW 5/8 UNC X 3.1/2 CS G.5 ZN		02
05	0503010027	5/8 SPRING WASHER		02
06	0503010013	5/8 UNC G.5 ZN HEX NUT		02
07	0502012626	CENTER OSCILLATING BEARING SUPPORT		01
08	0501213923	BEARING PROTECTION COVER		01



Item	Code	Description	See page	QT
01	0502020691	BEARING HUB		01
02	0503010005	32212 ROLLER BEARING		02
03	0502010899	AXLE CM/DM		01
04	0503030685	5.5" X 4.4" X 0.003" GASKET		01
05	0503030030	5.6" X 4.4" X 0.01" GASKET		02
06	0502020161	WEAR PLATE BEARING		01
07	0503010237	3/8" X 1" BOLT		06
08	0503011443	SPRING WASHER 3/8"		06
09	0503030027	DUO-CONE SEAL		02
10	0502040287	SEAL RETAINER		02
11	0502040239	OUTER FLANGE		01
12	0502040240	INNER FLANGE		01
13	0503010856	OIL PLUG R 3/8 BSPT		02

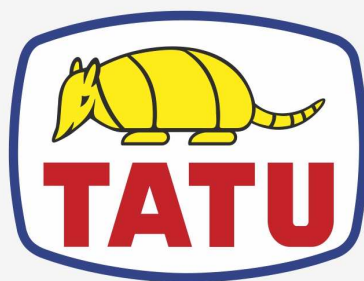


# ANNOTATION



A series of horizontal lines for writing, spanning the width of the page.





**MARCHESAN**

**Technical Publications | Elaboration and Revision**

ALESSANDRA PATRICIA KAWAHARA CARRILI

[www.marchesan.com.br](http://www.marchesan.com.br)

