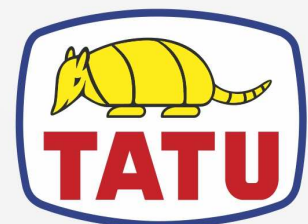


DOUBLE OFFSET DISK HARROW

GTD QL - 56/64D
GTD QL - 56/64D

Code: 0501093838
Series: S-0224
Revision: 00
Revision Date: MARCH/2024

PARTS CATALOGUE



MARCHESAN



PRODUCTS

Code	Working Width	Description
0102430700		GTD QL 56X26X4,75 DR DMO E 1.5/8 ESP S-0224
0102430702		GTD QL 56X26X6 MT DMO E 1.5/8 ESP S-0224
0102430701		GTD QL 56X26X6 MT DMO E 1.5/8 RLH C/PN FF S-0224
0102430704		GTD QL 64X26X6 DR DMO E 1.5/8 ESP S-0224
0102430703		GTD QL 64X26X6 DR DMO E 1.5/8 RLH FF S-0224

ATTENTION: IMPORTANT

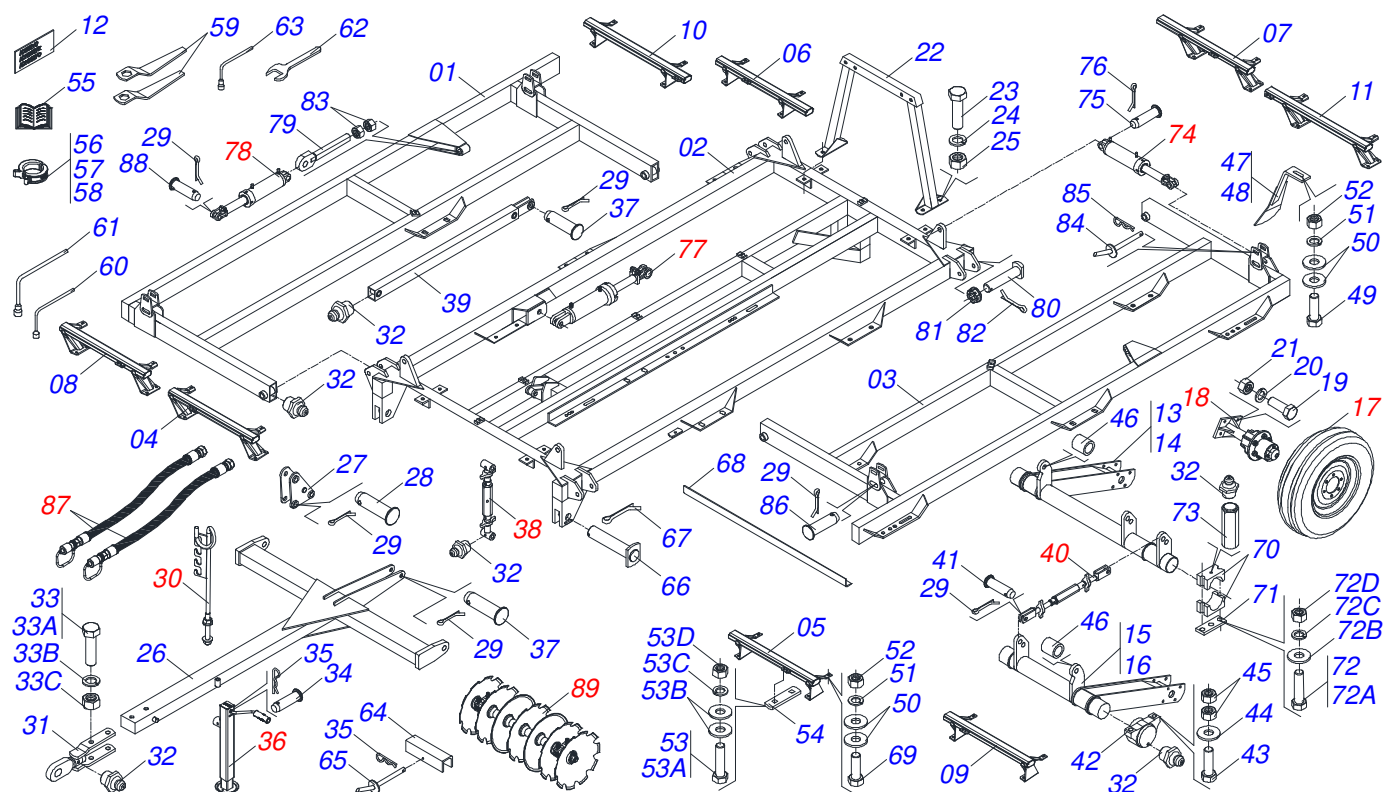
Marchesan S.A. reserves the right to improve and/or modify the technical features of its products, without obligation to do the same with those products already sold and without prior knowledge of the dealer or the customer. The photos are only illustrative.



MARCHESAN

INDEX

0909097152	ASSY FRAME	1
0503060091	L 29.5" X 0.63"-10L WHEEL AND TIRE ASSY	2
0503060181	WHEEL AND TIRE	3
0501051631	STUB SHAFT & HUB ASSY	4
0501055288	2.1/2X3 20 WHEEL WITHOUT TIRE	5
0501040257	3/4" X 38" HOSE SUPPORT ASSY	6
0503062157	DRAWBAR JACK	7
0501044204	ESTABILIZER ASSY	8
0501045162	ASSEMBLY CARRYING WHEELS ESTABILIZER	9
0501047912	HYDRAULIC CYLINDER 50,8 X 101,6 X 870 X 585	10
0521045636	HYDRAULIC CYLINDER	11
0521045637	HYDRAULIC CYLINDER	12
0909097154	HYDRAULIC CIRCUIT	13
0501053834	MALE QUICK COUPLER	14
0501053835	FEMALE QUICK COUPLER	15
0909097153	DISC GANG ASSY	16
0511048374	BEARING WITH SUPPORT PROTECTION	17
0501059734	BEARING DMO 225 X 1.5/8 IMP	18



Item	Code	Description	See page	056	064
01	0501068033	RIGHT SIDE FRAME - 56 TO 64		001	001
02	0501068469	FRAME CENTRAL - 56/60/64D		001	001
03	0501068058	LEFT SIDE FRAME - 56 TO 64D		001	001
04	0501068389	RIGHT FRONT CENTRAL FRAME- 52 TO 64D		001	001
05	0501068390	LEFT FRONT CENTRAL FRAME - 56 TO 64D		001	001
06	0501067458	RIGHT REAR FRAME - 24D		001	001
07	0501067459	LEFT REAR FRAME - 24D		001	001
08	0501068391	RIGHT FRONT SIDE FRAME - 56D		001	000
08.	0501068399	RIGHT FRONT SIDE FRAME - 64D		000	001
09	0501068392	LEFT FRONT SIDE FRAME - 56D		001	000
09.	0501068400	LEFT FRONT SIDE FRAME - 64D		000	001
10	0501068393	RIGHT SIDE REAR FRAME - 56D		001	000
10.	0501068401	RIGHT SIDE REAR FRAME - 64D		000	001
11	0501068394	LEFT SIDE REAR FRAME - 56D		001	000
11.	0501068402	LEFT SIDE REAR FRAME - 64D		000	001
12	0503060835	GTD ADHESIVE LABEL SET SILVER		001	001
13	0501069059	RIGHT WHEEL SUPPORT		001	001
14	0501069060	LEFT WHEEL SUPPORT		001	001
15	0501069116	RIGHT SIDE WHEEL FIXING SUPPORT		001	001
16	0501069117	LEFT SIDE WHEEL FIXING SUPPORT		001	001
17	0503060091	L 29.5" X 0.63"-10L WHEEL AND TIRE ASSY	2	006	006
17.	0503060181	WHEEL AND TIRE	3	006	000
18	0501051631	STUB SHAFT & HUB ASSY	4	006	000
18.	0501055288	2.1/2X3 20 WHEEL WITHOUT TIRE	5	006	006
19	0503010899	5/8 UNC X 2.1/4 BOLT		024	024
20	0503010027	5/8 SPRING WASHER		040	040
21	0503010013	5/8 UNC G.5 ZN HEX NUT		040	040
22	0501066242	CENTER BEATER		002	002
23	0501010098	BOLT 3/4" UNC X 2 C S G.5 ZN		008	008
24	0503010023	3/4" SPRING WASHER		008	008
25	0503010014	3/4" ZN G.5 (HEAVY) UNC HEX NUT		008	008
26	0501066067	DRAWBAR		001	001

ASSY FRAME

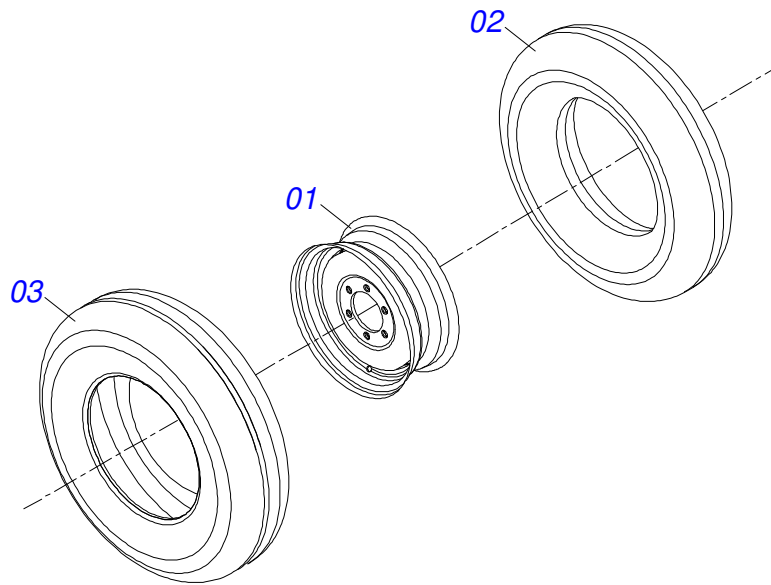
Item	Code	Description	See page	056	064
27	0501065531	ROCKER ARM		001	001
28	0521010546	1.2" X 5.7" COUPLING SHAFT		001	001
29	0503010523	1/4" X 2" SPLIT PIN		019	019
30	0501040257	3/4" X 38" HOSE SUPPORT ASSY	6	001	001
31	0501065901	TRACTOR HITCH		001	001
32	0503010002	1800 GREASE FITTING		011	021
33	0501041894	1" X 7" ASSY BOLT		002	002
33A	0501010334	1" X 7" BOLT		001	001
33B	0503010012	1" SPRING WASHER		001	001
33C	0501010059	1.5/8 NUT		001	001
34	0521010549	COUPLING SHAFT		001	001
35	0503030168	HITCH PIN CLIP		003	003
36	0503062157	DRAWBAR JACK	7	001	001
37	0521010780	1.2" X 4.5" COUPLING SHAFT		002	002
38	0501044204	ESTABILIZER ASSY	8	001	001
39	0501067527	STABILIZER BAR		001	001
40	0501045162	ASSEMBLY CARRYING WHEELS ESTABILIZER	9	001	001
41	0521010778	1.25" X 3.15" COUPLING SHAFT		002	002
42	0502010972	ARTICULATION BEARING		007	007
43	0503011432	BOLT		014	014
44	0501010065	1" SPRING WASHER		014	014
45	0501010059	1.5/8 NUT		014	014
46	0511019921	1.3" X 0.1" X 1" SLEEVE		008	002
47	0501067394	FRONT RIGHT/REAR LEFT WIPER		029	033
48	0501067395	FRONT LEFT/REAR RIGHT WIPER		029	033
49	0503011082	C1/2" X 1.3/4" SCREW		042	046
50	0511017302	FLAT WASHER 13,50 X 32,50 X 3,0 ZN		084	092
51	0503010019	1/2" SPRING WASHER		042	046
52	0503010060	1/2 UNC G.5 ZN HEX NUT		042	046
53	0511042229	1" X 6" BOLT		032	032
53A	0503013113	1" X 6" BOLT		001	001
53B	0501010065	1" SPRING WASHER		002	002
53C	0503010012	1" SPRING WASHER		001	001
53D	0501010059	1.5/8 NUT		001	001
54	0511013056	FIXING BASE FRAME		016	016
55	0501032682	PLASTIC COVER WITH INSTRUCTIONS MANUAL		001	001
56	0501047895	25 ROD STOP		002	002
57	0501047885	30 ROD STOP		002	002
58	0501047887	40 ROD STOP		002	002
59	0501011431	1-3/4" GANG BOLT WRENCH		002	002
60	0503016140	3/4" WRENCH CABLE CYLINDRICAL		001	001
61	0501068273	5/8" WRENCH		001	000
62	0511010153	2-5/16" FIXED WRENCH		001	001
63	0501061045	1" WRENCH CYLINDRICAL		000	001
64	0581017856	TRANSPORT LOCK		002	002
65	0501068994	8,30 X 78 LOCK PIN		002	002
66	0521010620	1.5" X 4.6" COUPLING SHAFT		002	002
67	0503010534	3/8" X 2.1/2" SPLIT PIN		002	002
68	0511012604	1250 BAR FIX SCRAPER		002	002
68.	0511012596	1480 FIX BAR SCRAPER		004	002
68..	0511012599	1940 BAR FIX SCRAPER		002	002
69	0503010740	BOLT 1/2 UNC X 2 CS G.5 ZN		016	020
70	0502010673	BEARING SEMI		002	002
71	0501015593	SUPPORT PLATE		001	001
72	0501042309	1" X 9" AR ASSY BOLT		002	002
72A	0501010064	BOLT 1" UNC X 9 CS G.5 ZN		001	001
72B	0501010065	1" SPRING WASHER		001	001
72C	0503010012	1" SPRING WASHER		001	001
72D	0501010059	1.5/8 NUT		001	001
73	0501019757	EXTENSION GREASE FITTING		002	002
74	0501047912	HYDRAULIC CYLINDER 50,8 X 101,6 X 870 X 585	10	004	004



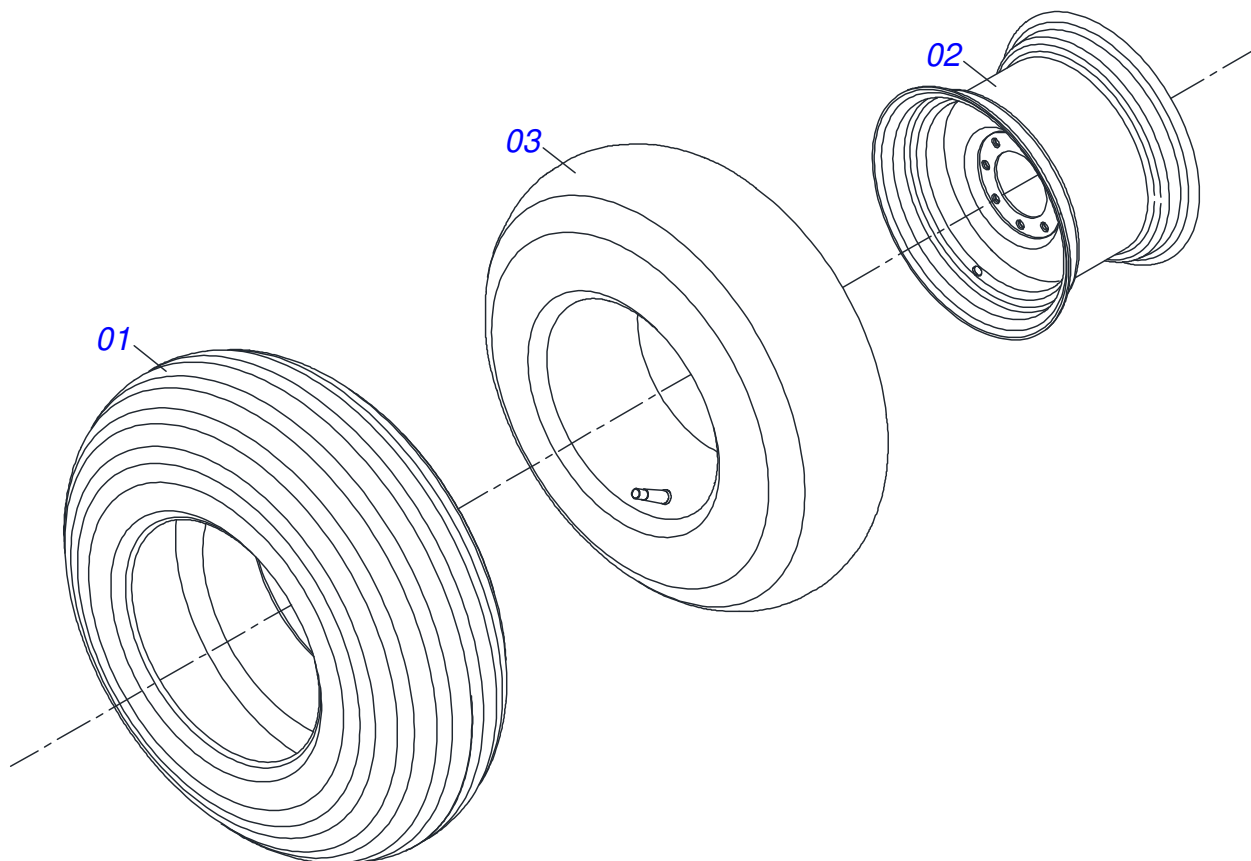
ASSY FRAME

0909097152

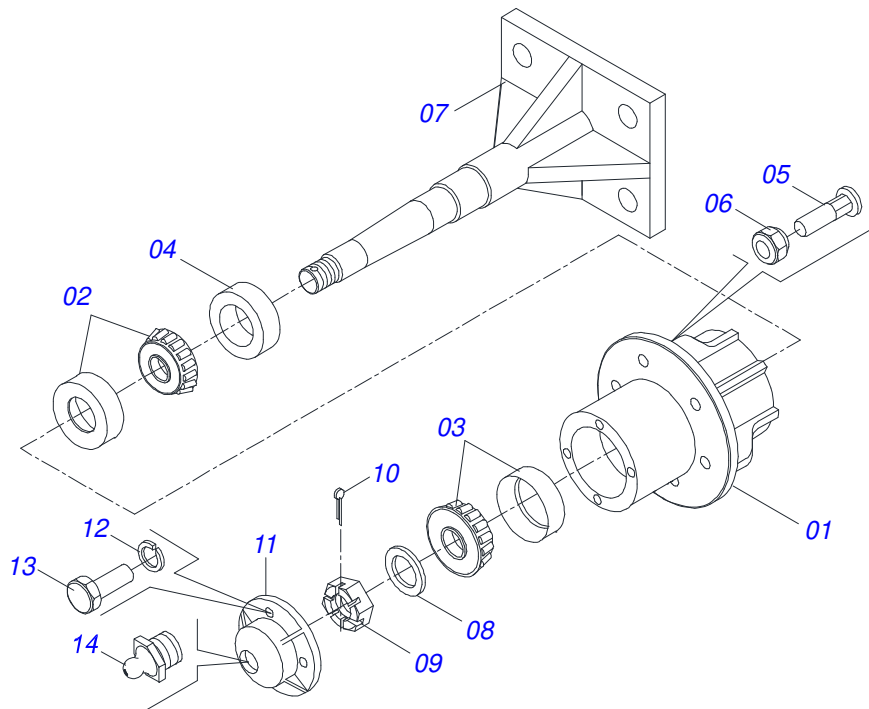
Item	Code	Description	See page	056	064
75	0521010576	0.9" X 3.7" COUPLING SHAFT		004	004
76	0503010571	1/4" X 1.1/2" SPLIT PIN		004	004
77	0521045636	HYDRAULIC CYLINDER	11	002	002
78	0521045637	HYDRAULIC CYLINDER	12	002	002
79	0501063989	HYDRAULIC CYLINDER REGULATOR		002	002
80	0511010703	PIVOT SHAFT 205		004	004
81	0501011301	1.1/2" UNC 6FPP 2.5/16" NUT		004	004
82	0503010010	SPLIT PIN 1/4" X 2.1/2"		004	004
83	0501010110	1.1/2 NC 6FPP 2.3/8 HEXAGONAL NUT		004	004
84	0501069081	19,05 X 150 LOCK PIN		004	004
85	0503030012	HITCH PIN CLIP		004	004
86	0501019719	1.1/4" X 155MM COUPLING SHAFT		007	007
87		HYDRAULIC CIRCUIT	13		
88	0521012538	1.2" X 3.5" COUPLING SHAFT		008	008
89		DISC GANG ASSY	16		



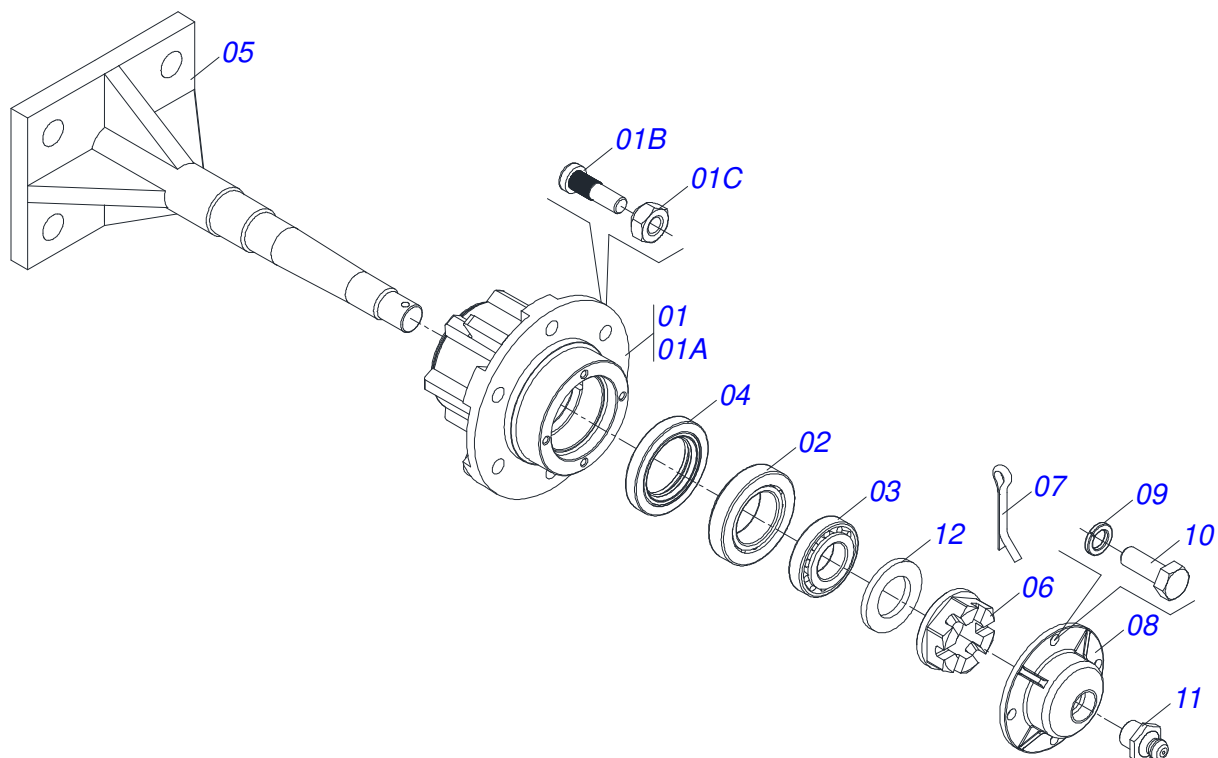
Item	Code	Description	See page	QT
01	0503010893	WHEEL		01
02	0503010033	7.50 X 16 INNER TIRE		01
03	0503010120	CANVAS TIRE		01



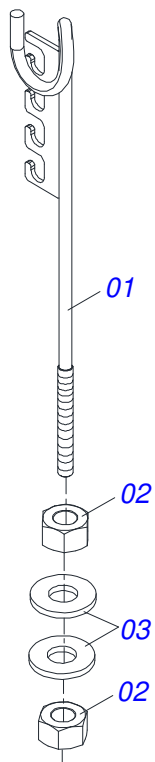
Item	Code	Description	See page	QT
01	0503010858	CANVAS TIRE		01
02	0503011468	WEEL		01
03	0503010860	AIR CHAMBER 11L 15		01



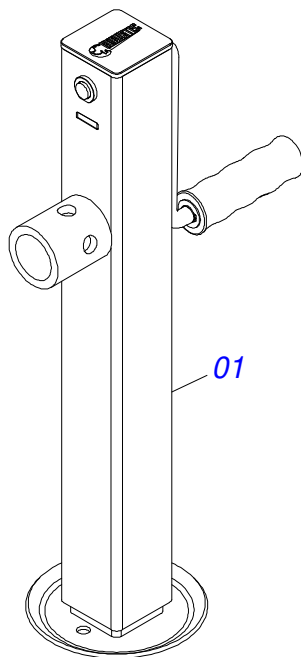
Item	Code	Description	See page	QT
01	0502011121	CARRYING WHEEL HUB		01
02	0503010006	32210 ROLLER BEARING		01
03	0503010037	30207 ROLLER BEARING		01
04	0503012928	SEAL		01
05	0501010127	9/16" X 1-7/8" LUG BOLT		06
06	0503010035	9/16" CONIC NUT		06
07	0501069087	WHEEL FIXING SUPPORT		01
08	0501016545	FLAT WASHER		01
09	0503030009	1" CASTLE NUT		01
10	0503010018	5/32" X 1-1/2" SPLIT PIN		01
11	0502020591	PROTECCION COVER		01
12	0503011444	SPRING WASHER 5/16"		04
13	0503010358	5/16" X 5/8" BOLT		04
14	0503010002	1800 GREASE FITTING		01



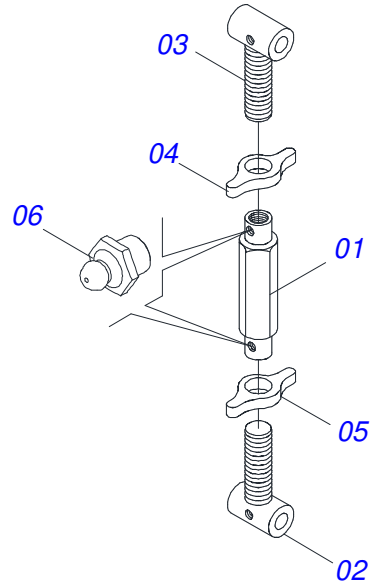
Item	Code	Description	See page	QT
01	0501110728	WHEEL HUB		01
01A	0502011121	CARRYING WHEEL HUB		01
01B	0501010127	9/16" X 1-7/8" LUG BOLT		06
01C	0503010035	9/16" CONIC NUT		06
02	0503012171	32210 ROLLER BEARING		01
03	0503012170	30207 ROLLER BEARING		01
04	0503012928	SEAL		01
05	0501069087	WHEEL FIXING SUPPORT		01
06	0503030009	1" CASTLE NUT		01
07	0503010018	5/32" X 1-1/2" SPLIT PIN		01
08	0502020591	PROTECCION COVER		01
09	0503011444	SPRING WASHER 5/16"		04
10	0503010358	5/16" X 5/8" BOLT		04
11	0503010002	1800 GREASE FITTING		01
12	0501016545	FLAT WASHER		01
13	1882970002	GREASE		0,26 Kg



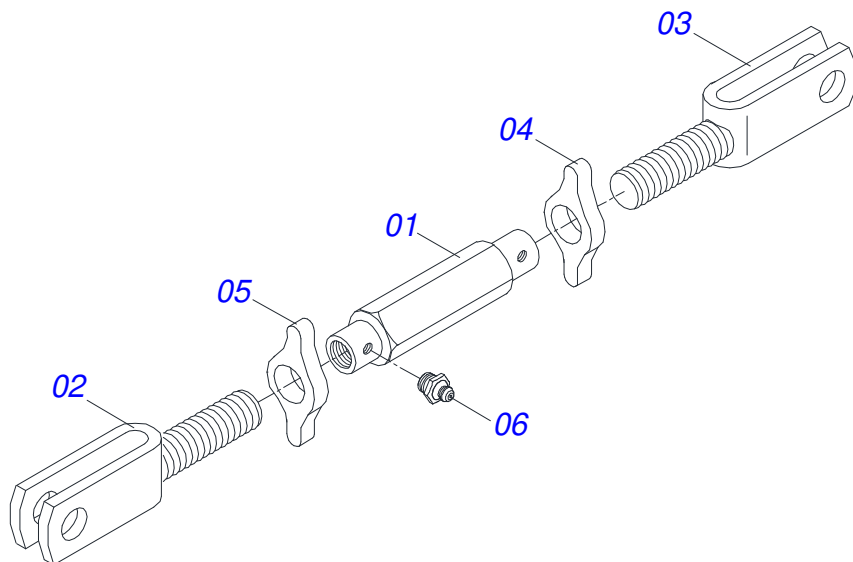
Item	Code	Description	See page	QT
01	0511067334	HOSE SUPPORT		01
02	0503010014	3/4" ZN G.5 (HEAVY) UNC HEX NUT		02
03	0501010322	20,50 X 46 X 4,00 ZN FLAT WASHER		02



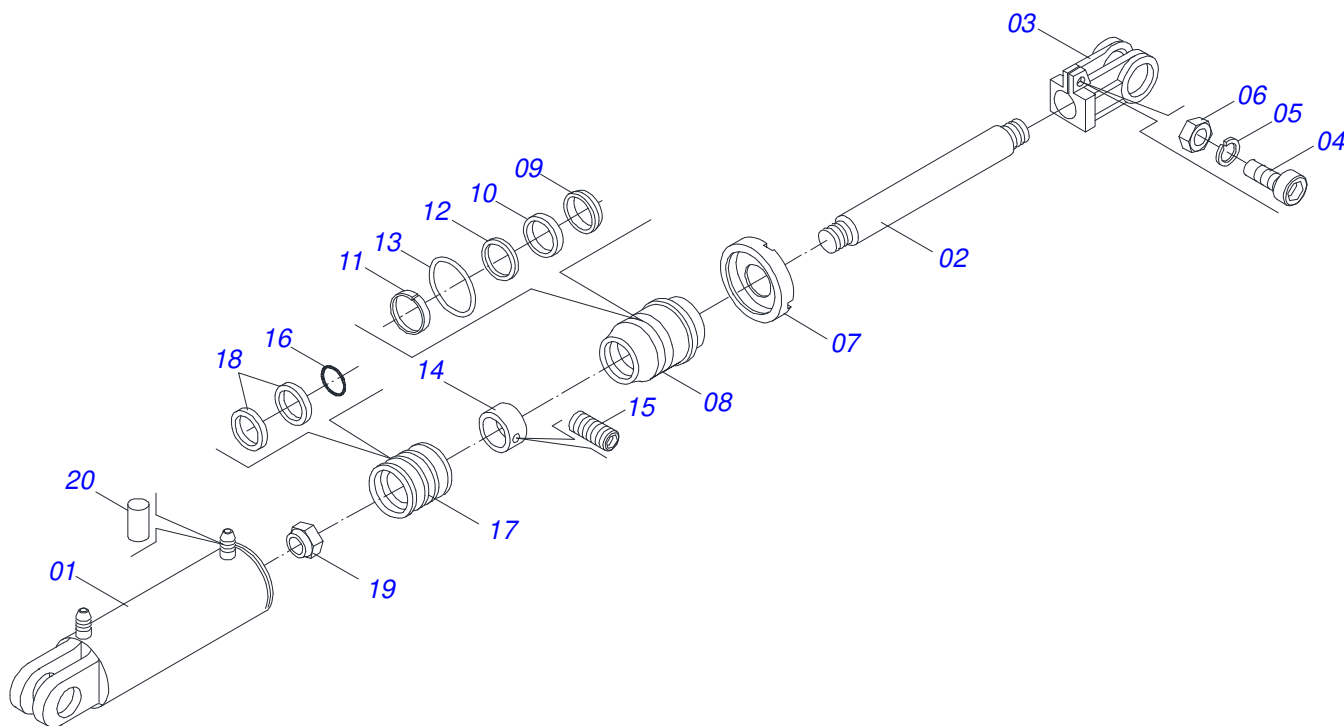
Item	Code	Description	See page	QT
01	0503062157	DRAWBAR JACK	7	01



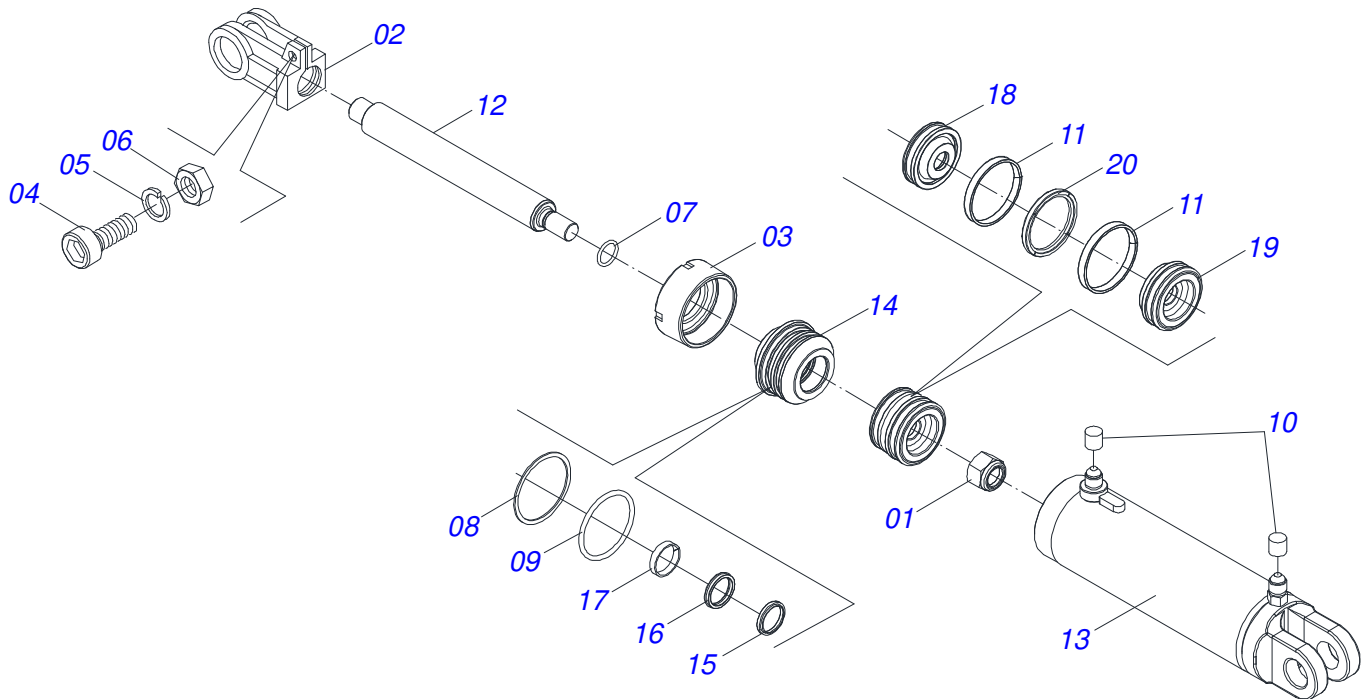
Item	Code	Description	See page
01	0502011195	ADJUSTMENT NUT BODY	01
02	0501064002	LEFT JACK CRANK	01
03	0501064001	RIGHT JACK CRANK	01
04	0541018672	COUNTERNUT	01
05	0541018673	COUNTERNUT	01
06	0503010002	1800 GREASE FITTING	02



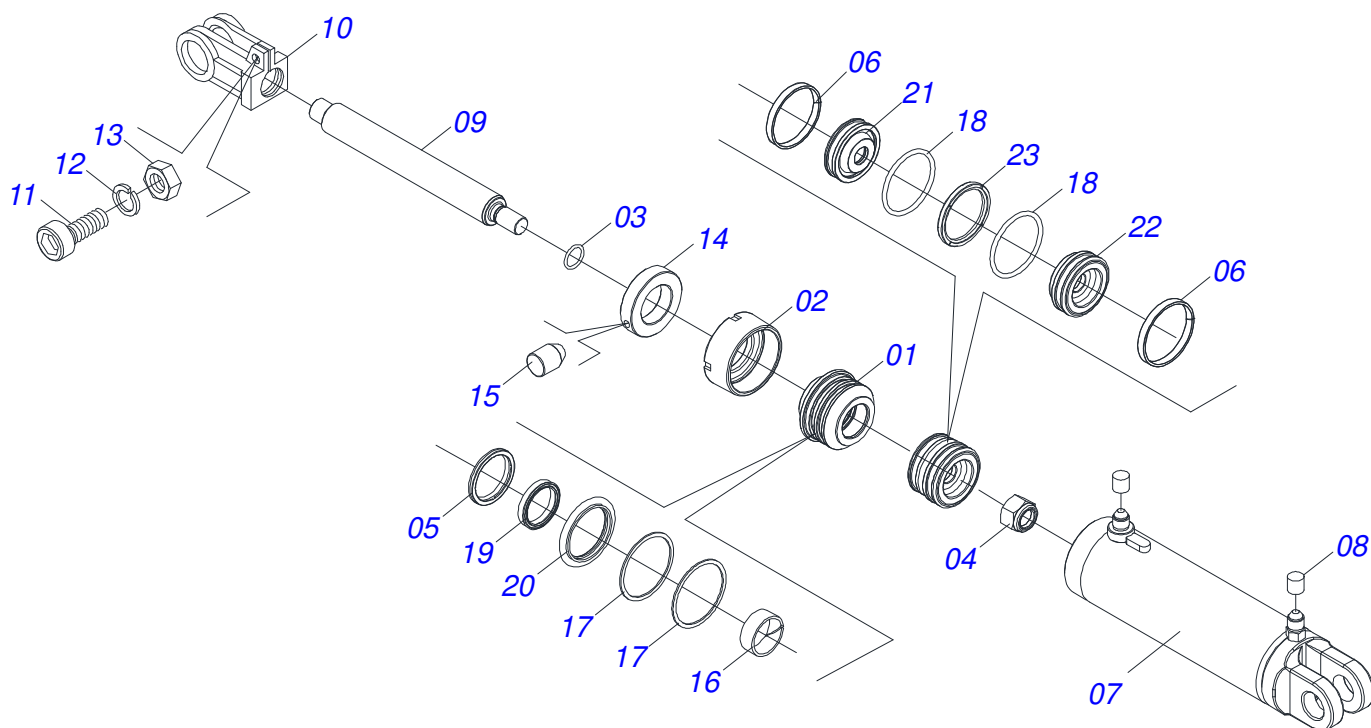
Item	Code	Description	See page	QT
01	0502011195	ADJUSTMENT NUT BODY		01
02	0501066930	LEFT TURNBUCKLE		01
03	0501066931	RIGTH TURNBUCKLE		01
04	0541018672	COUNTERNUT		02
05	0541018673	COUNTERNUT		02
06	0503010002	1800 GREASE FITTING		04



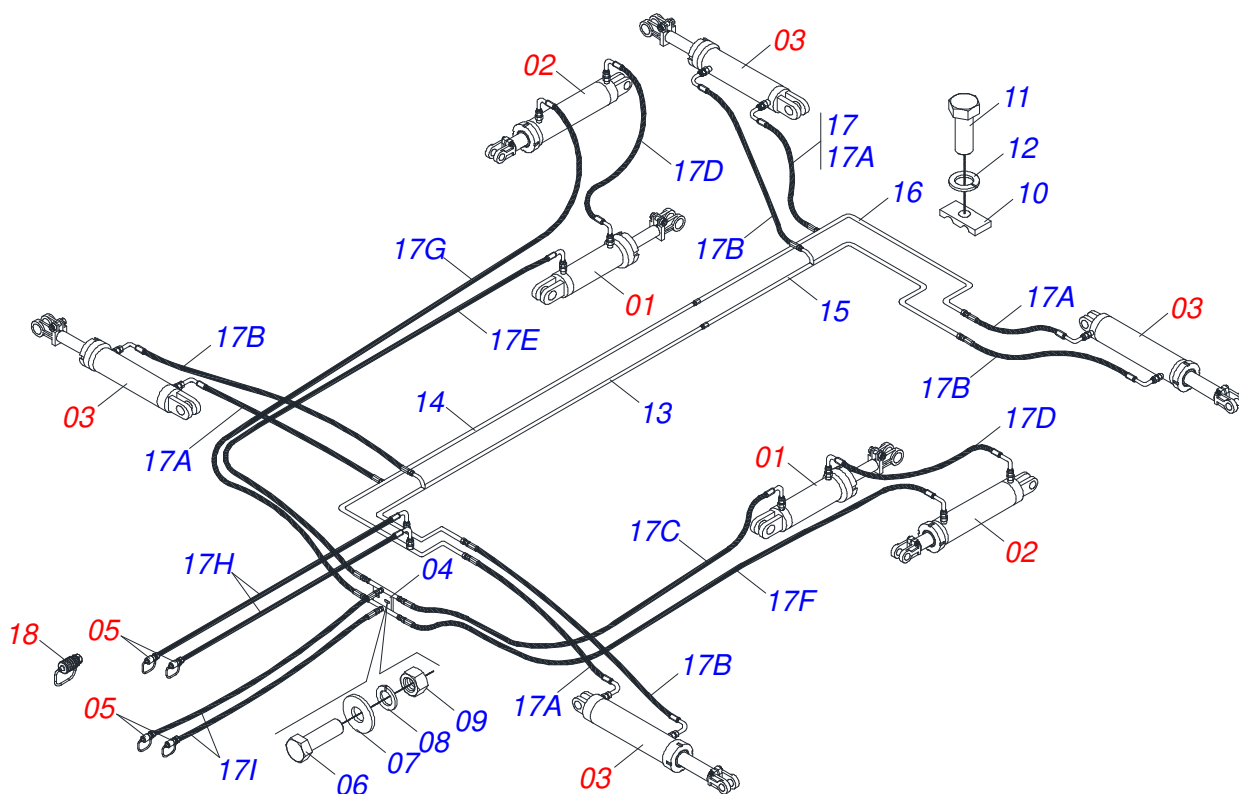
Item	Code	Description	See page	QT
01	0501067324	4" X 24" CYLINDER CASE		01
02	0511017801	2"X 29.33" TURNBUCLE		01
03	0502040747	32.54 CLEVIS CLAMP		01
04	0503011094	BOLT 3/8" UNC X 2" C C S I 12.9		01
05	0503010025	3/8 SPRING WASHER		01
06	0503010026	3/8" NUT		01
07	0502010017	4" LID		01
08	0502010523	2" X 4" RING SUPPORT		01
09	0503010039	D-2000 SCRAPER RING		01
10	0503010991	1870-2000-375-B GASKET		01
11	0503010952	W2-2250-500 RING		01
12	0503011061	8-342 BACK-UP RING		01
13	0503010338	2-342 N 3006-9B O'RING		01
14	0511018114	51 X 3 X 25 BUSHING		01
15	0503011148	3/8" X 1/2" BOLT		01
16	0503010345	2-218 N 3006-9B O'RING		01
17	0502010682	2"X4" PISTON		01
18	0503010043	PACKING 3750-3250		02
19	0503010044	SELF LOCKING NUT 1.1/4 UNF G.5 ZN		01
20	0503030385	CYLINDER PLUG N-002		02
21	0501031248	HYDRAULIC CYLINDER REPAIR KIT		01



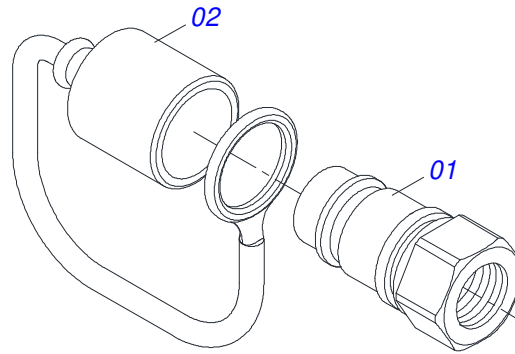
Item	Code	Description	See page	QT
001	0503010817	SELF LOCKING NUT 1.1/4 UNF ALTA G.5 ZN		01
002	0502040747	32.54 CLEVIS CLAMP		01
003	0502010017	4" LID		01
004	0503011094	BOLT 3/8" UNC X 2" C C S I 12.9		01
005	0503011443	SPRING WASHER 3/8"		01
006	0503010026	3/8" NUT		01
007	0503010345	2-218 N 3006-9B O'RING		01
008	0503010338	2-342 N 3006-9B O'RING		01
009	0503011061	8-342 BACK-UP RING		01
010	0503030385	CYLINDER PLUG N-002		02
011	0503017889	RING GUIDE		02
012	0531018245	EXTENDING BODY		01
013	0521066149	CYLINDER CASE		01
014	0502011250	RING OF SUPPORT		01
015	0503015715	SCRAPER SEALING		01
016	0503015642	U-CUP SEALING RUUB000970		01
017	0503010973	W2-2500-500 PK O'RING G.E		01
018	0581012601	PISTON		01
019	0581012602	PISTON		01
020	0503018651	SEALING		01



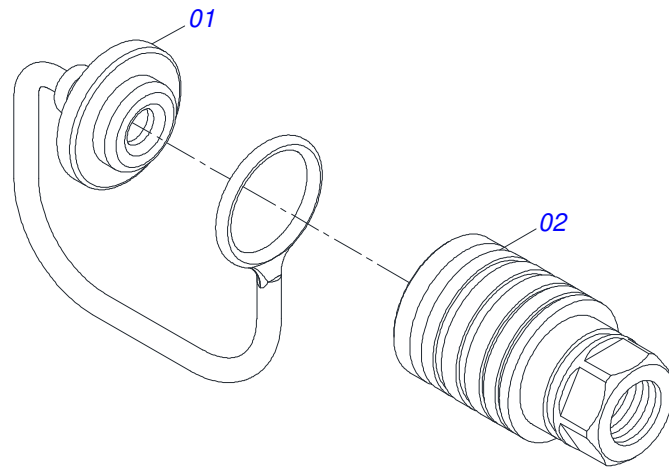
Item	Code	Description	See page	QT
001	0571019711	RING SUPPORT		01
002	0571019709	DETACHABLE COVER		01
003	0503010042	2-214 N 3006-9B O'RING		01
004	0503010063	1" SELF-ALIGNING NUT		01
005	0503010761	D-1750 SCRAPER RING		01
006	0503017883	RING GUIDE		02
007	0521066592	CYLINDER CASE		01
008	0503030385	CYLINDER PLUG N-002		02
009	0521010421	HYDRAULIC CYLINDER TURNBUCKLE		01
010	0502040747	32.54 CLEVIS CLAMP		01
011	0503011094	BOLT 3/8" UNC X 2" C C S I 12.9		01
012	0503010025	3/8 SPRING WASHER		01
013	0503010026	3/8" NUT		01
014	0511018115	1.8" X 0.1" 0.7" BUSHING		01
015	0503011148	3/8" X 1/2" BOLT		01
016	0503017938	RING GUIDE		01
017	0503017940	8-337 BACK-UP RING		02
018	0503017939	2-337 N 3006-9B O' RING		02
019	0503017937	GASKET		01
020	0503017936	RING		01
021	0581012598	PISTON		01
022	0581012597	PISTON		01
023	0503018650	SEALING		01



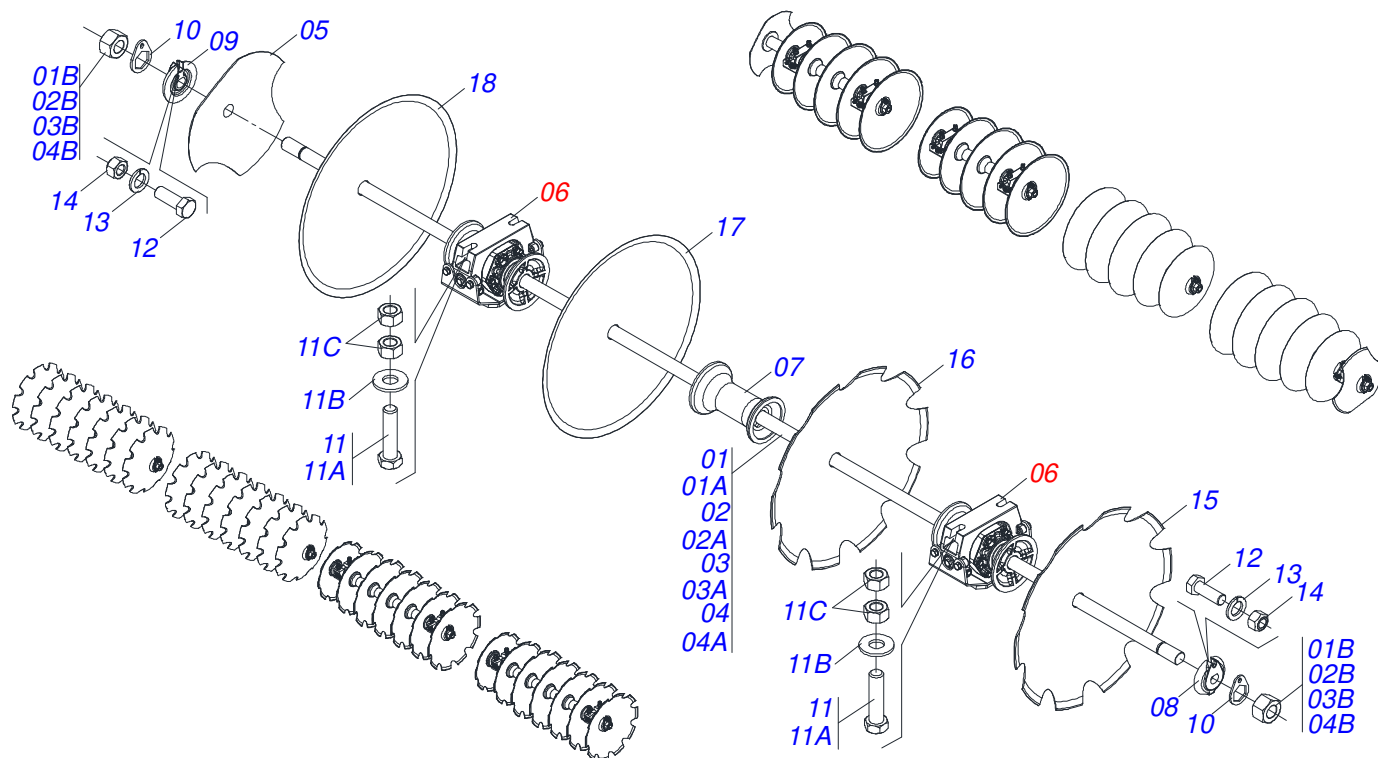
Item	Code	Description	See page	QT
01	0521045636	HYDRAULIC CYLINDER	11	02
02	0521045637	HYDRAULIC CYLINDER	12	02
03	0501047912	HYDRAULIC CYLINDER 50,8 X 101,6 X 870 X 585	10	04
04	0501068706	DOUBLE CONNECTION		01
05	0501053834	MALE QUICK COUPLER	14	04
06	0503010237	3/8" X 1" BOLT		02
07	0511017302	FLAT WASHER 13,50 X 32,50 X 3,0 ZN		02
08	0503010025	3/8 SPRING WASHER		02
09	0503010026	3/8" NUT		02
10	0502012702	BODY SUPPORT CLAMP		10
11	0503012555	7/16" UNC X 2" CS RT G.7 ZN SCREW		10
12	0503010180	7/16" SPRING WASHER		10
13	0501066264	INNER FRONT DUCT		01
14	0501066265	EXTERNAL FRONT DUCT		01
15	0501066266	INTERNAL REAR DUCT		01
16	0501066267	EXTERNAL REAR DUCT		01
17	0501056302	HOSE SET		01
17A	0501080328	3/8" X 29" TR-TC HOSE		04
17B	0501080436	3/8" X 62" TR-TC HOSE		04
17C	0501080461	3/8" X 70" TR-TC HOSE		01
17D	0501080393	3/8" X 86" TC-TC HOSE		02
17E	0501080469	3/8" X 98.42" TR-TR HOSE ASSY		01
17F	0501080435	3/8" X 141" TR-TC HOSE		01
17G	0501080388	3/8 X 4300 TR-TC HOSE ASSY		01
17H	0501080422	3/8" X 157" TC-TM HOSE		02
17I	0501080361	3/8" X 157" TR-TM HOSE		02
18	0501053835	FEMALE QUICK COUPLER	15	04



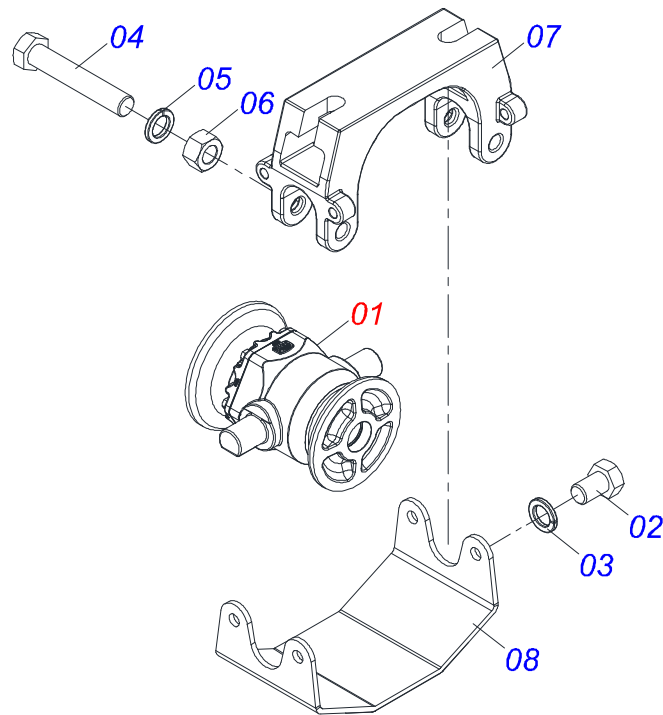
Item	Code	Description	See page	QT
01	0503011627	MALE QUICK COUPLER AGR 1/2 NPT		01
02	0503011882	MALE QUICK COUPLER CAP		01



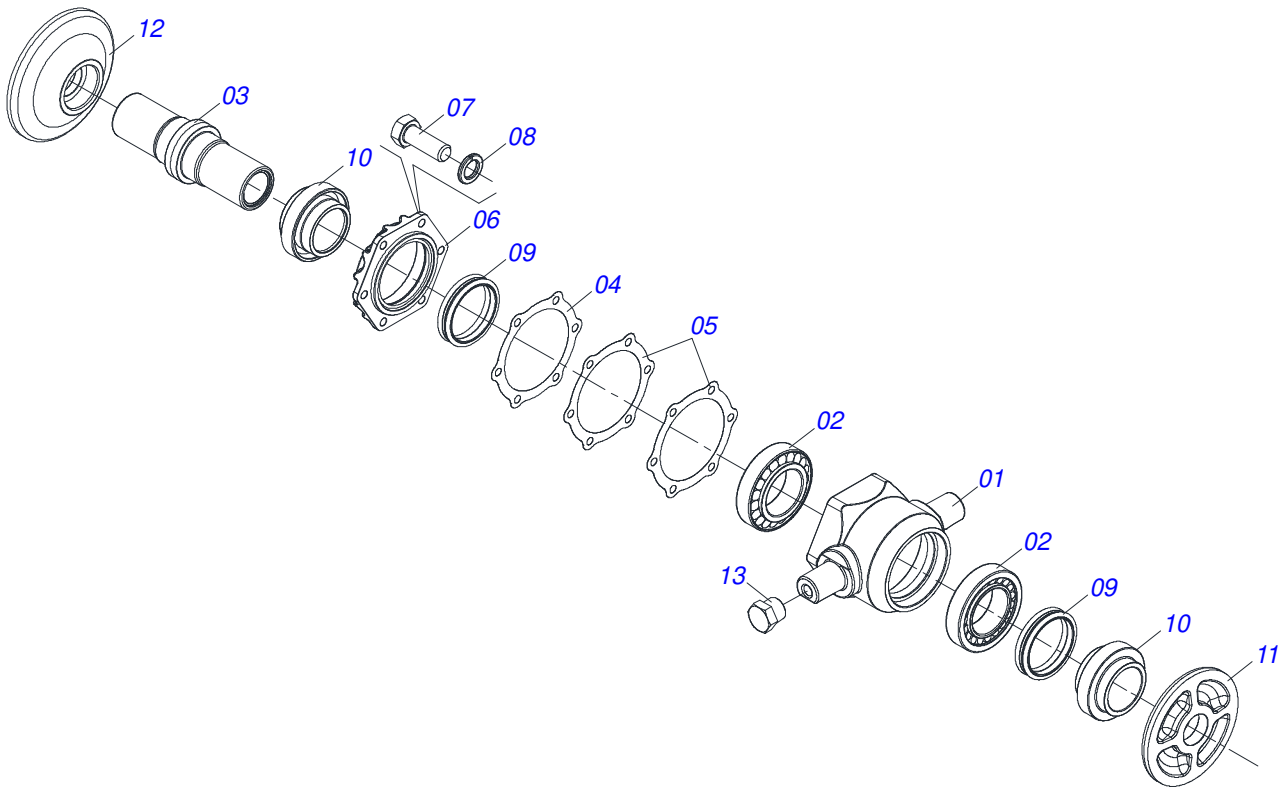
Item	Code	Description	See page	QT
01	0503011883	PLASTIC COVER		01
02	0503011628	FEMALE QUICK COUPLER		01



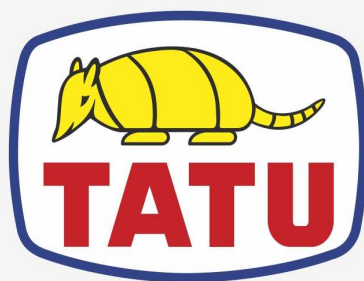
Item	Code	Description	See page	056	064
01	0501046855	1-5/8" X 52" AXLE WITH NUTS 2-3/4		002	002
01A	0501015237	1-5/8" X 52" AXLE		001	001
01B	0502040640	1.5/8" 2.3/4" NUT		002	002
02	0501046857	1-5/8" X 61" AXLE WITH NUTS 2-3/4"		004	002
02A	0501015632	1-5/8" X 61" AXLE		001	001
02B	0502040640	1.5/8" 2.3/4" NUT		002	002
03	0501046860	1-5/8" X 79" AXLE WITH NUTS 2-3/4"		002	002
03A	0501015329	1-5/8 X 79" AXLE		001	001
03B	0502040640	1.5/8" 2.3/4" NUT		002	002
04	0501044429	1-5/8" X 2465 AXLE		002	000
04A	0511013535	1.5/8" X 2465 5AXLE		001	000
04B	0502040640	1.5/8" 2.3/4" NUT		002	000
05	0602029360	DR 22X6 C69AF02FR1.11/16 03REC TATU		001	001
06	0511048374	BEARING WITH SUPPORT PROTECTION	17	016	020
07	0502010626	8.9" 1-5/8" SPACER		034	038
08	0502011047	1-5/8" INNER AXLE WASHER		008	008
09	0502011048	1-5/8" EXTERNAL AXLE WASHER		008	008
10	0511014339	1-5/8" 2.8" NUT LOCK		016	016
11	0521047424	SCREW ASSY		032	040
11A	0501010500	3/4" X 3" BOLT		001	001
11B	0501010322	20,50 X 46 X 4,00 ZN FLAT WASHER		001	001
11C	0503012183	SNC 3/4" ZIN 1K03097 NUT		002	002
12	0503011267	BOLT 5/8" UNC X 1.1/2 C S G.5 ZN		016	016
13	0503010027	5/8 SPRING WASHER		016	016
14	0503010013	5/8 UNC G.5 ZN HEX NUT		016	016
15	0602033232	DR 26 X 6,00 C89AF02FR1.11/16 10R		026	030
15.	0602033002	DR26X4,75 C90AF04FR1.11/16 10R TATU		052	000
16	0602030369	DR24X6 C84AF02FR1.11/16 10REC TATU		002	002
16.	0602030002	DR 24 X 4,75 C84AF04FR1.11/16 10REC TATU		002	000
17	0601033215	DL26X6 C90AF02FR1.11/16 TATU		026	000
18	0601031076	DL24X6 C84AF02FR1.11/16 TATU		002	000



Item	Code	Description	See page	QT
01	0501059734	BEARING DMO 225 X 1.5/8 IMP	18	01
02	0503010834	1/2 X 1 BOLT		04
03	0503010019	1/2" SPRING WASHER		04
04	0503010762	SCREW 5/8 UNC X 3.1/2 CS G.5 ZN		02
05	0503010027	5/8 SPRING WASHER		02
06	0503010013	5/8 UNC G.5 ZN HEX NUT		02
07	0502012626	CENTER OSCILLATING BEARING SUPPORT		01
08	0501213923	BEARING PROTECTION COVER		01



Item	Code	Description	See page	QT
01	0502020691	BEARING HUB		01
02	0503010005	32212 ROLLER BEARING		02
03	0502010899	AXLE CM/DM		01
04	0503030685	5.5" X 4.4" X 0.003" GASKET		01
05	0503030030	5.6" X 4.4" X 0.01" GASKET		02
06	0502020161	WEAR PLATE BEARING		01
07	0503010237	3/8" X 1" BOLT		06
08	0503011443	SPRING WASHER 3/8"		06
09	0503030027	DUO-CONE SEAL		02
10	0502040287	SEAL RETAINER		02
11	0502040239	OUTER FLANGE		01
12	0502040240	INNER FLANGE		01
13	0503010856	OIL PLUG R 3/8 BSPT		02



MARCHESAN

Technical Publications | Elaboration and Revision

ALESSANDRA PATRICIA KAWAHARA CARRILI

www.marchesan.com.br

