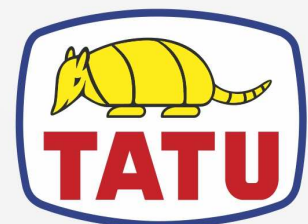


DOUBLE OFFSET DISK HARROW

GTD 28/32/36/40D
GTD 28/32/36/40D

Code: 0501093837
Series: S-0224
Revision: 00
Revision Date: MARCH/2024

PARTS CATALOGUE



MARCHESAN



PRODUCTS

Code	Working Width	Description
0102430689		GTD 28X26X6 DR DMO E 1.5/8 FF S-0224
0102430690		GTD 28X26X6 MT DMO E 1.5/8 FF S-0224
0102430691		GTD 32X24X6 DR DMO E 1.5/8 FF S-0224
0102430692		GTD 32X26X6 DR DMO E 1.5/8 FF S-0224
0102430693		GTD 32X26X6 MT DMO E 1.5/8 FF S-0224
0102430694		GTD 36X24X4,75 DR DMO E 1.5/8 S-0224
0102430695		GTD 36X24X4,75 MT DMO 1.5/8 S-0224
0102430696		GTD 36X26X6 DR DMO E 1.5/8 FF S-0224
0102430697		GTD 40X26X4,75 DR DMO E 1.5/8 S-0224
0102430698		GTD 40X26X6 DR DMO E 1.5/8 FF S-0224
0102430699		GTD 40X26X6 MT DMO E 1.5/8 FF S-0224

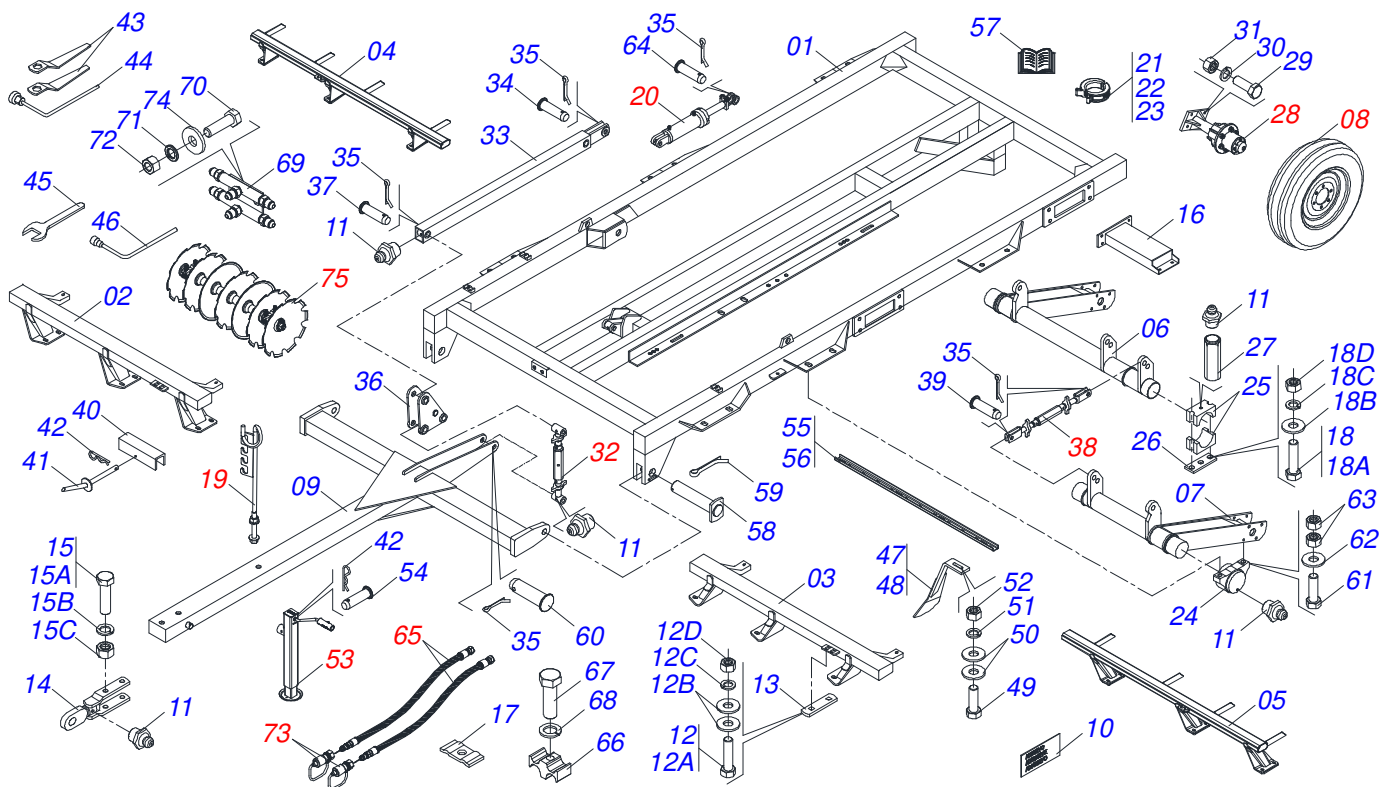
ATTENTION: IMPORTANT

Marchesan S.A. reserves the right to improve and/or modify the technical features of its products, without obligation to do the same with those products already sold and without prior knowledge of the dealer or the customer. The photos are only illustrative.



INDEX

0909097149	ASSY FRAME	1
0503060091	L 29.5" X 0.63"-10L WHEEL AND TIRE ASSY	2
0501040257	3/4" X 38" HOSE SUPPORT ASSY	3
0511059180	HYDRAULIC CYLINDER 50,80 X 101,60 X 515 X 203	4
0501051631	STUB SHAFT & HUB ASSY	5
0501044204	ESTABILIZER ASSY	6
0501045162	ASSEMBLY CARRYING WHEELS ESTABILIZER	7
0503062157	DRAWBAR JACK	8
0501055766	HOSE SET	9
0501053834	MALE QUICK COUPLER	10
0909097150	DISC GANG ASSY	11
0511048374	BEARING WITH SUPPORT PROTECTION	12
0501059734	BEARING DMO 225 X 1.5/8 IMP	13



Item	Code	Description	See page	028	032	036	040
01	0501067532	FRAME - 24/28/32/36/44/48D		001	001	001	000
01.	0501068605	FRAME - 40/44D		000	000	000	001
02	0511065093	RIGHT FRONT FRAME - 28D		001	000	000	000
02.	0511064788	RIGHT FRONT FRAME - 32D		000	001	000	000
02..	0511064792	RIGHT FRONT FRAME - 36D		000	000	001	000
02...	0511065097	RIGHT FRONT FRAME - 40D		000	000	000	001
03	0511065094	LEFT FRONT FRAME - 28D		001	000	000	000
03.	0511064789	LEFT FRONT FRAME - 32D		000	001	000	000
03..	0511064793	LEFT FRONT FRAME - 36D		000	000	001	000
03...	0511065098	LEFT FRONT FRAME - 40D		000	000	000	001
04	0511065095	RIGHT REAR FRAME - 28D		001	000	000	000
04.	0511064790	RIGHT REAR FRAME - 32D		000	001	000	000
04..	0511064794	RIGHT REAR FRAME - 36D		000	000	001	000
04...	0511065099	RIGHT REAR FRAME - 40D		000	000	000	001
05	0511065096	LEFT REAR FRAME - 28D		001	000	000	000
05.	0511064791	LEFT REAR FRAME - 32D		000	001	000	000
05..	0511064795	LEFT REAR FRAME - 36D		000	000	001	000
05...	0511065100	LEFT REAR FRAME - 40D		000	000	000	001
06	0501069059	RIGHT WHEEL SUPPORT		001	001	001	001
07	0501069060	LEFT WHEEL SUPPORT		001	001	001	001
08	0503060091	L 29.5" X 0.63"-10L WHEEL AND TIRE ASSY	2	004	004	004	004
09	0501066067	DRAWBAR		001	001	001	001
10	0503060835	GTD ADHESIVE LABEL SET SILVER		001	001	001	001
11	0503010002	1800 GREASE FITTING		007	007	007	007
12	0511042229	1" X 6" BOLT		016	016	016	016
12A	0503013113	1" X 6" BOLT		001	001	001	001
12B	0501010065	1" SPRING WASHER		002	002	002	002
12C	0503010012	1" SPRING WASHER		001	001	001	001
12D	0501010059	1.5/8 NUT		001	001	001	001
13	0511013056	FIXING BASE FRAME		008	008	008	008
14	0501065566	TRACTOR HITCH		001	001	001	001
15	0501041894	1" X 7" ASSY BOLT		002	002	002	002

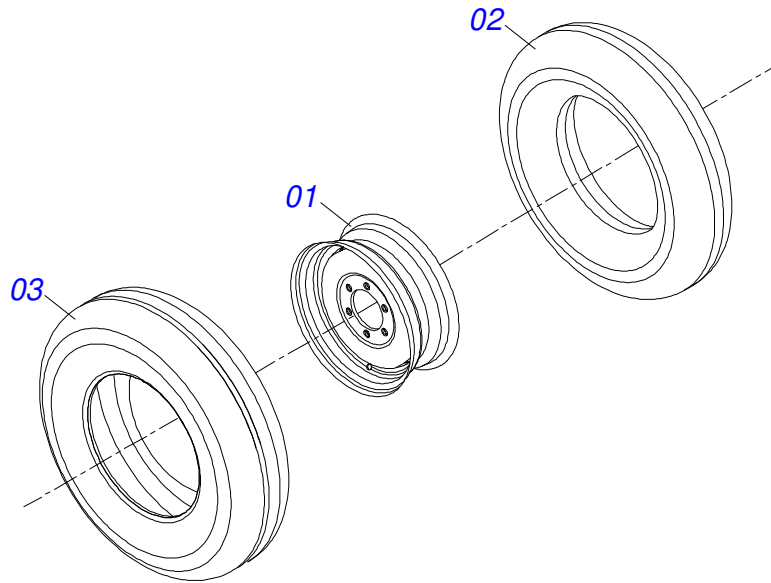
ASSY FRAME

Item	Code	Description	See page	028	032	036	040
15A	0501010334	1" X 7" BOLT		001	001	001	001
15B	0503010012	1" SPRING WASHER		001	001	001	001
15C	0501010059	1.5/8 NUT		001	001	001	001
16	0501066137	REAR ADJUSTMENT		000	000	000	002
17	0531011180	SUPPORT		000	000	005	000
18	0501042309	1" X 9" AR ASSY BOLT		002	002	002	002
18A	0501010064	BOLT 1" UNC X 9 CS G.5 ZN		001	001	001	001
18B	0501010065	1" SPRING WASHER		001	001	001	001
18C	0503010012	1" SPRING WASHER		001	001	001	001
18D	0501010059	1.5/8 NUT		001	001	001	001
19	0501040257	3/4" X 38" HOSE SUPPORT ASSY	3	001	001	001	001
20	0511059180	HYDRAULIC CYLINDER 50,80 X 101,60 X 515 X 203	4	002	002	002	002
21	0501047895	25 ROD STOP		002	002	002	002
22	0501047885	30 ROD STOP		002	002	002	002
23	0501047887	40 ROD STOP		002	002	002	002
24	0502010972	ARTICULATION BEARING		003	003	003	003
25	0502010673	BEARING SEMI		002	002	002	002
26	0501015593	SUPPORT PLATE		001	001	001	001
27	0501019757	EXTENSION GREASE FITTING		002	002	002	002
28	0501051631	STUB SHAFT & HUB ASSY	5	004	004	004	004
29	0503010899	5/8 UNC X 2.1/4 BOLT		016	016	016	016
30	0503010027	5/8 SPRING WASHER		032	032	032	032
31	0503010013	5/8 UNC G.5 ZN HEX NUT		032	032	032	032
32	0501044204	ESTABILIZER ASSY	6	001	001	001	001
33	0501067527	STABILIZER BAR		001	001	001	001
34	0521010780	1.2" X 4.5" COUPLING SHAFT		001	001	001	001
35	0503010523	1/4" X 2" SPLIT PIN		011	011	011	011
36	0501065531	ROCKER ARM		001	001	001	001
37	0501019719	1.1/4" X 155MM COUPLING SHAFT		003	003	003	003
38	0501045162	ASSEMBLY CARRYING WHEELS ESTABILIZER	7	001	001	001	001
39	0521010778	1.25" X 3.15" COUPLING SHAFT		002	002	002	002
40	0511010839	TRANSPORT LOCK 7.9" X 2.1" X 0.4"		002	002	002	002
41	0501068994	8,30 X 78 LOCK PIN		002	002	002	002
42	0503030168	HITCH PIN CLIP		003	003	003	003
43	0501011431	1-3/4" GANG BOLT WRENCH		002	002	002	002
44	0503016140	3/4" WRENCH CABLE CYLINDRICAL		001	001	001	001
45	0511010153	2-5/16" FIXED WRENCH		001	001	001	001
46	0501061045	1" WRENCH CYLINDRICAL		001	001	001	001
47	0511060599	LEFT FRONT CLEANER		015	017	019	021
48	0511060598	RIGHT FRONT CLEANER		015	017	019	021
49	0503011082	C1/2" X 1.3/4" SCREW		030	034	038	042
50	0511017302	FLAT WASHER 13,50 X 32,50 X 3,0 ZN		060	068	072	084
51	0503010019	1/2" SPRING WASHER		030	034	038	042
52	0503010060	1/2 UNC G.5 ZN HEX NUT		030	034	038	042
53	0503062157	DRAWBAR JACK	8	001	001	001	001
54	0521010549	COUPLING SHAFT		001	001	001	001
55	0541010754	FRONT FIXING BAR - 28D		002	000	000	000
55.	0541010753	FRONT FIXING BAR 1880 - 32D		000	002	000	000
55..	0541010755	FRONT FIXING BAR 2110 - 36D		000	000	002	000
55...	0541010756	FRONT FIXER BAR 2340 - 40D		000	000	000	002
56	0531019618	REAR FIXING BAR 1770 - 28D		002	000	000	000
56.	0531019619	REAR FIXING BAR 2000 - 32D		000	002	000	000
56..	0531019617	REAR FIXING BAR 2230 - 36D		000	000	002	000
56...	0531019616	REAR FIXING BAR 2460 - 40D		000	000	000	002
57	0501032682	PLASTIC COVER WITH INSTRUCTIONS MANUAL		001	001	001	001
58	0521010620	1.5" X 4.6" COUPLING SHAFT		002	002	002	002
59	0503010534	3/8" X 2.1/2" SPLIT PIN		002	002	002	002
60	0521010546	1.2" X 5.7" COUPLING SHAFT		001	001	001	001
61	0503011432	BOLT		006	006	006	006
62	0501010065	1" SPRING WASHER		006	006	006	006
63	0501010059	1.5/8 NUT		006	006	006	006

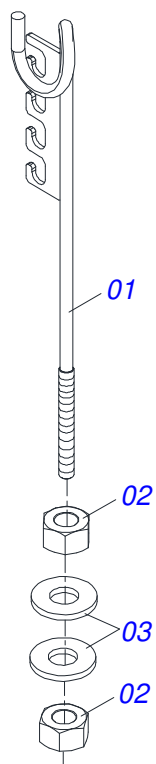


ASSY FRAME

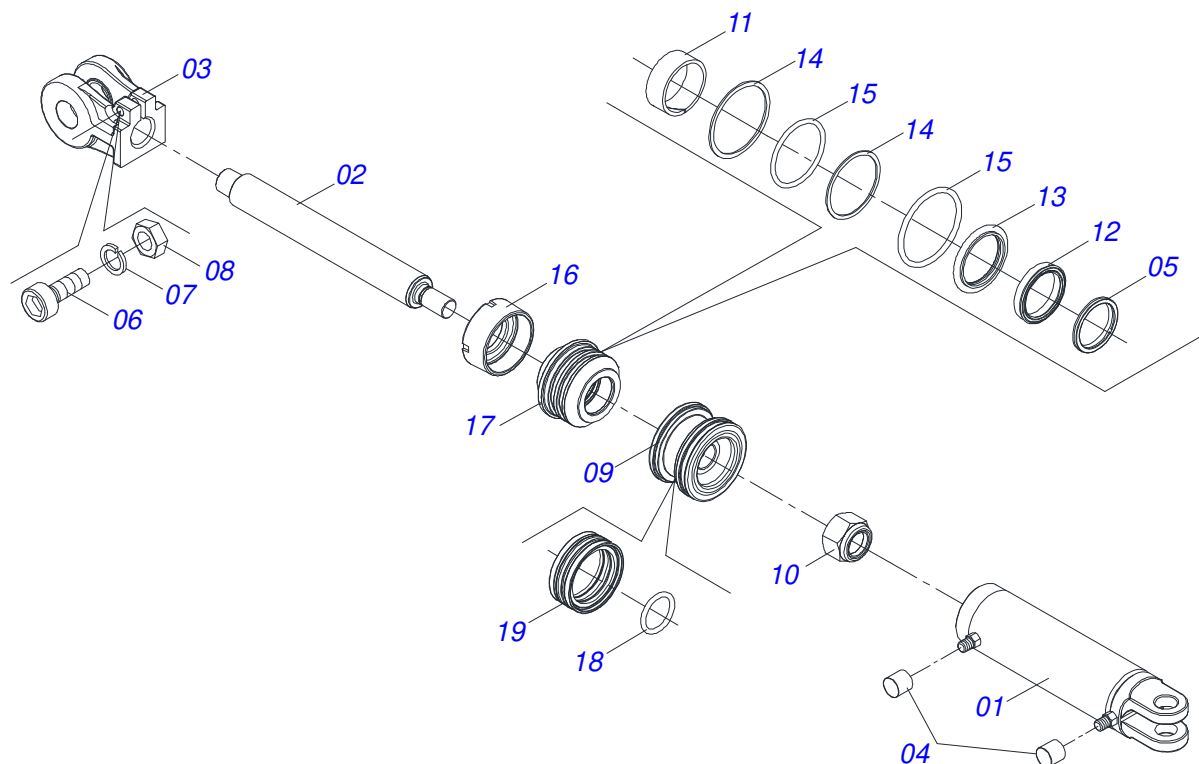
Item	Code	Description	See page	028	032	036	040
64	0521012538	1.2" X 3.5" COUPLING SHAFT		004	004	004	004
65	0501055766	HOSE SET	9	001	001	001	001
66	0502012702	BODY SUPPORT CLAMP		005	005	000	005
67	0503012555	7/16" UNC X 2" CS RT G.7 ZN SCREW		005	005	000	005
68	0503010180	7/16" SPRING WASHER		005	005	000	005
69	0501068706	DOUBLE CONNECTION		001	001	001	001
70	0503010237	3/8" X 1" BOLT		002	002	002	002
71	0503010025	3/8 SPRING WASHER		002	002	002	002
72	0503010026	3/8" NUT		002	002	002	002
73	0501053834	MALE QUICK COUPLER	10	002	002	002	002
74	0501010984	10,50 X 27 X 3,00 FLAT WASHER		002	002	002	002
75		DISC GANG ASSY	11				



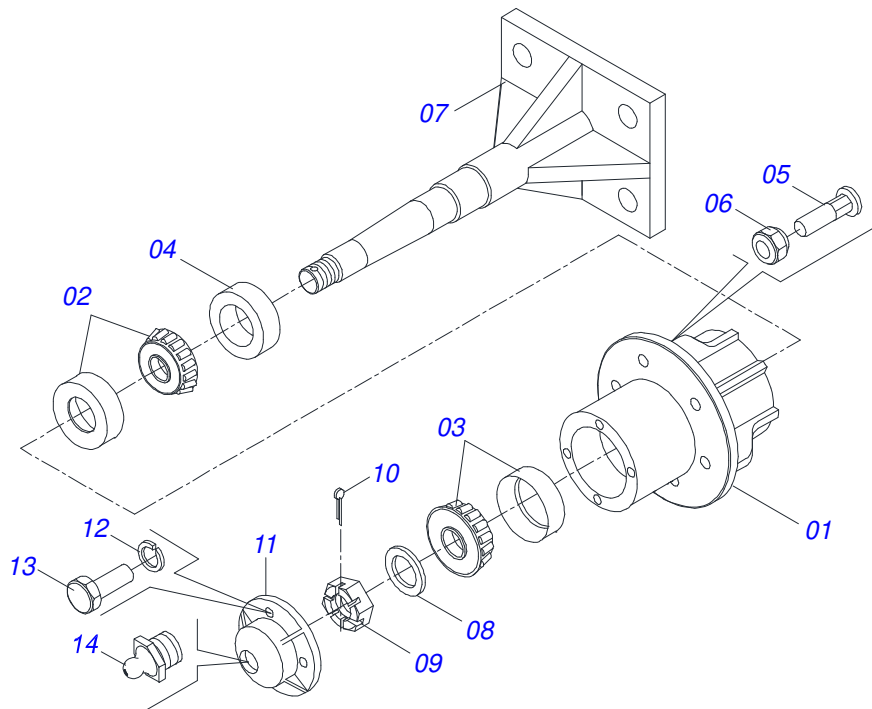
Item	Code	Description	See page	QT
01	0503010893	WHEEL		01
02	0503010033	7.50 X 16 INNER TIRE		01
03	0503010120	CANVAS TIRE		01



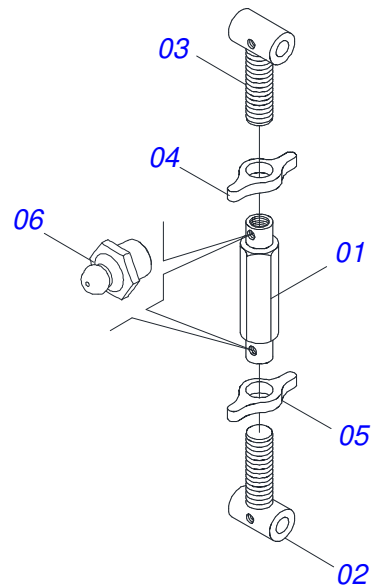
Item	Code	Description	See page	QT
01	0511067334	HOSE SUPPORT		01
02	0503010014	3/4" ZN G.5 (HEAVY) UNC HEX NUT		02
03	0501010322	20,50 X 46 X 4,00 ZN FLAT WASHER		02



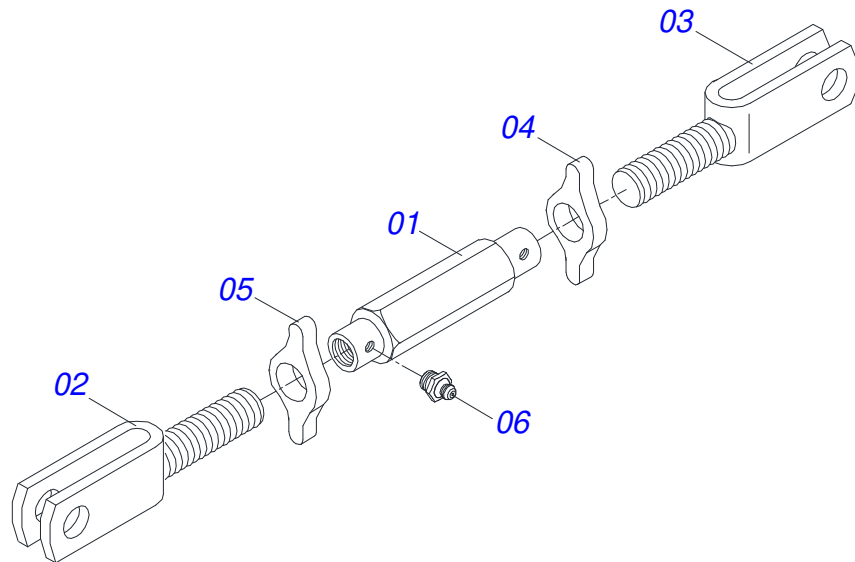
Item	Code	Description	See page	QT
01	0511070658	CYLINDER CASE		01
02	0571019958	HYDRAULIC CYLINDER TURNBUCKLE		01
03	0502040747	32.54 CLEVIS CLAMP		01
04	0503030385	CYLINDER PLUG N-002		02
05	0503010039	D-2000 SCRAPER RING		01
06	0503011094	BOLT 3/8" UNC X 2" C C S I 12.9		01
07	0503011443	SPRING WASHER 3/8"		01
08	0503010026	3/8" NUT		01
09	0502012820	2" X 4" PISTON		01
10	0503010817	SELF LOCKING NUT 1.1/4 UNF ALTA G.5 ZN		01
11	0503018025	RING GUIDE W2-2250-750		01
12	0503018026	GASKET 1870-2000-375 B POLYMAX		01
13	0503018024	RING BS OD050805200171D-BR		01
14	0503010338	2-342 N 3006-9B O-RING		02
15	0503011061	8-342 BACK-UP RING		02
16	0502012822	END CAP 4"		01
17	0502012821	2" X 4" RING SUPPORT		01
18	0503018029	O-RING 2-217 N 3006 90B		01
19	0503015633	SELEMASTER SEALING		01



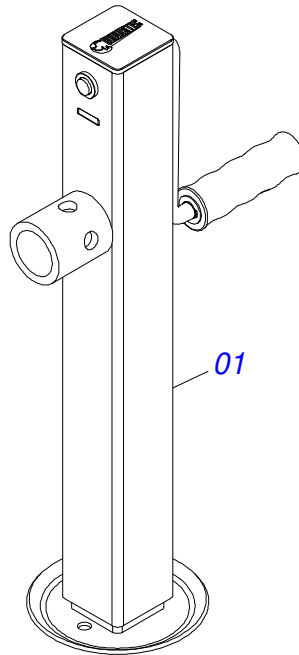
Item	Code	Description	See page	QT
01	0502011121	CARRYING WHEEL HUB		01
02	0503010006	32210 ROLLER BEARING		01
03	0503010037	30207 ROLLER BEARING		01
04	0503012928	SEAL		01
05	0501010127	9/16" X 1-7/8" LUG BOLT		06
06	0503010035	9/16" CONIC NUT		06
07	0501069087	WHEEL FIXING SUPPORT		01
08	0501016545	FLAT WASHER		01
09	0503030009	1" CASTLE NUT		01
10	0503010018	5/32" X 1-1/2" SPLIT PIN		01
11	0502020591	PROTECCION COVER		01
12	0503011444	SPRING WASHER 5/16"		04
13	0503010358	5/16" X 5/8" BOLT		04
14	0503010002	1800 GREASE FITTING		01



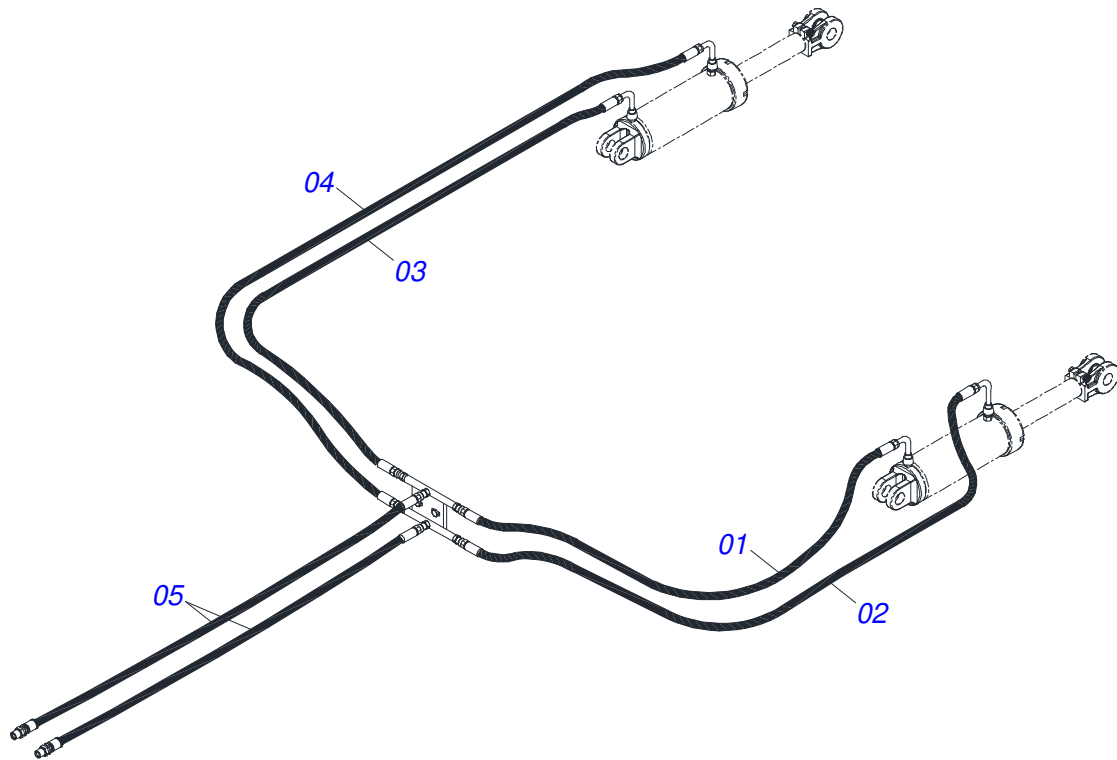
Item	Code	Description	See page
01	0502011195	ADJUSTMENT NUT BODY	01
02	0501064002	LEFT JACK CRANK	01
03	0501064001	RIGHT JACK CRANK	01
04	0541018672	COUNTERNUT	01
05	0541018673	COUNTERNUT	01
06	0503010002	1800 GREASE FITTING	02



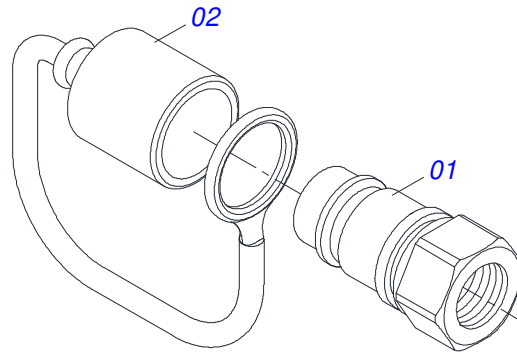
Item	Code	Description	See page	QT
01	0502011195	ADJUSTMENT NUT BODY		01
02	0501066930	LEFT TURNBUCKLE		01
03	0501066931	RIGTH TURNBUCKLE		01
04	0541018672	COUNTERNUT		02
05	0541018673	COUNTERNUT		02
06	0503010002	1800 GREASE FITTING		04



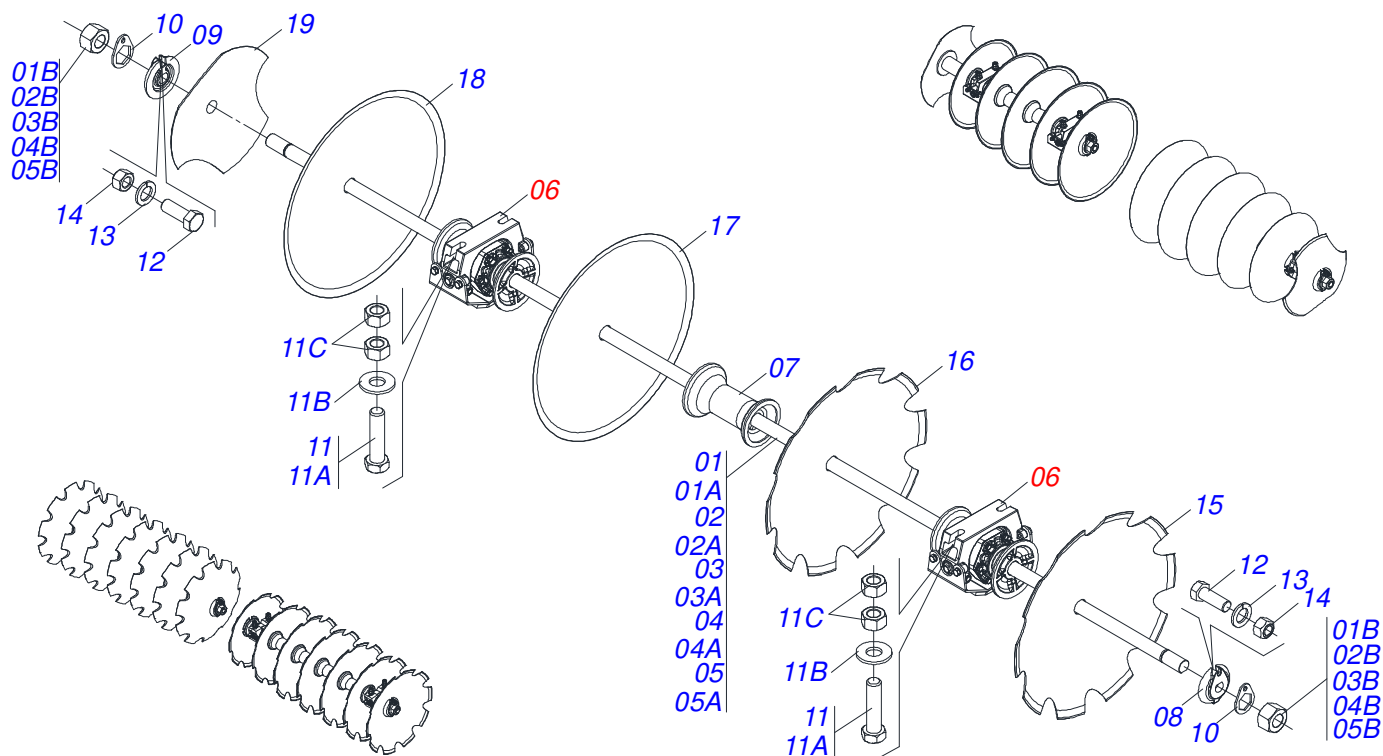
Item	Code	Description	See page	QT
01	0503062157	DRAWBAR JACK	8	01



Item	Code	Description	See page	QT
01	0501080431	3/8" X 1900 TR-TC HOSE ASSY		01
02	0501080419	3/8" X 82,6" TR-TC HOSE		01
03	0501080469	3/8" X 98.42" TR-TR HOSE ASSY		01
04	0501080401	3/8" X 106" TR-TC HOSE		01
05	0501080361	3/8" X 157" TR-TM HOSE		02
06	0503033158	PLASTIC BAG		01



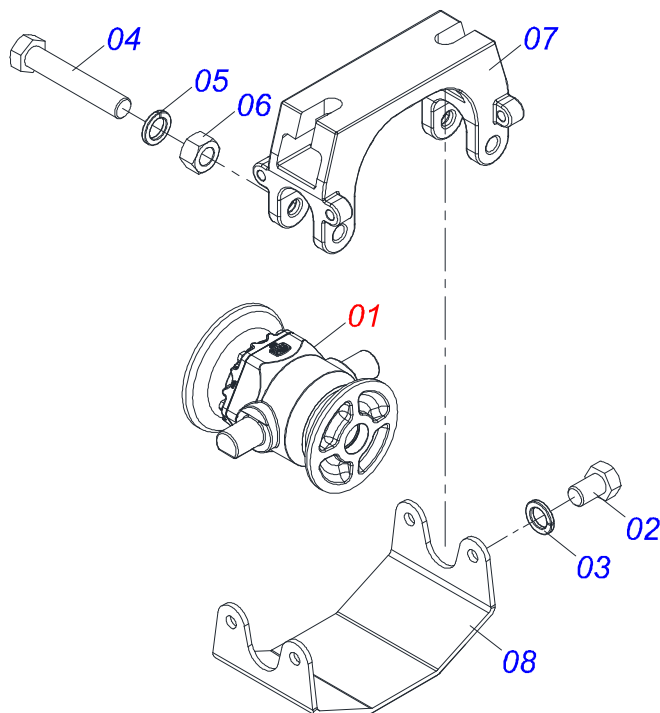
Item	Code	Description	See page	QT
01	0503011627	MALE QUICK COUPLER AGR 1/2 NPT		01
02	0503011882	MALE QUICK COUPLER CAP		01



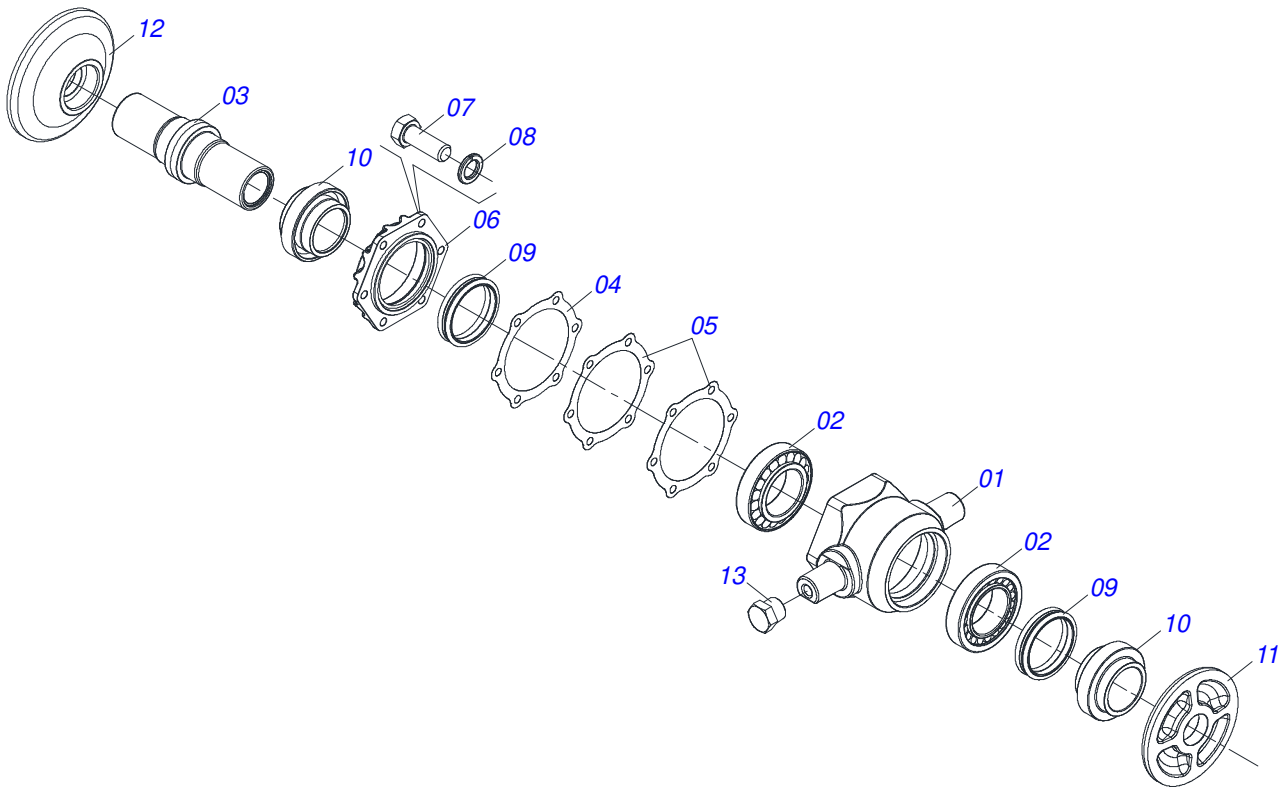
Item	Code	Description	See page	028	032	036	040
01	0501046857	1-5/8" X 61" AXLE WITH NUTS 2-3/4"		002	000	000	000
01A	0501015632	1-5/8" X 61" AXLE		001	000	000	000
01B	0502040640	1.5/8" 2.3/4" NUT		002	000	000	000
02	0501046859	1-5/8" X 70" AXLE WITH NUTS 2-3/4"		002	002	000	000
02A	0501015631	1-5/8" X 70" AXLE		001	001	000	000
02B	0502040640	1.5/8" 2.3/4" NUT		002	002	000	000
03	0501046860	1-5/8" X 79" AXLE WITH NUTS 2-3/4"		000	002	002	000
03A	0501015329	1-5/8 X 79" AXLE		000	001	001	000
03B	0502040640	1.5/8" 2.3/4" NUT		000	002	002	000
04	0501044427	1-5/8" AXLE ASSY		000	000	002	002
04A	0511013059	1-5/8" X 2235 AXLE		000	000	001	001
04B	0502040640	1.5/8" 2.3/4" NUT		000	000	002	002
05	0501044429	1-5/8" X 2465 AXLE		000	000	000	002
05A	0511013535	1.5/8" X 2465 5AXLE		000	000	000	001
05B	0502040640	1.5/8" 2.3/4" NUT		000	000	000	002
06	0511048374	BEARING WITH SUPPORT PROTECTION	12	008	010	012	012
07	0502010626	8.9" 1-5/8" SPACER		018	020	022	026
08	0502011047	1-5/8" INNER AXLE WASHER		004	004	004	004
09	0502011048	1-5/8" EXTERNAL AXLE WASHER		004	004	004	004
10	0511014339	1-5/8" 2.8" NUT LOCK		008	008	008	008
11	0521047424	SCREW ASSY		016	020	024	024
11A	0501010500	3/4" X 3" BOLT		001	001	001	001
11B	0501010322	20,50 X 46 X 4,00 ZN FLAT WASHER		001	001	001	001
11C	0503012183	SNC 3/4" ZIN 1K03097 NUT		002	002	002	002
12	0503011267	BOLT 5/8" UNC X 1.1/2 C S G.5 ZN		008	008	008	008
13	0503010027	5/8 SPRING WASHER		008	008	008	008
14	0503010013	5/8 UNC G.5 ZN HEX NUT		008	008	008	008
15	0602033232	DR 26 X 6,00 C89AF02FR1.11/16 10R		012	014	032	018
15.	0602033286	DR26X4,75 C72AF02FR1.11/16 TATU		000	000	000	036
16	0602030369	DR24X6 C84AF02FR1.11/16 10REC TATU		002	002	004	002
16.	0602030339	DR24X4,75 C72AF02FR1.11/16 10R TATU		000	000	016	004
17	0601033215	DL26X6 C90AF02FR1.11/16 TATU		012	014	000	018



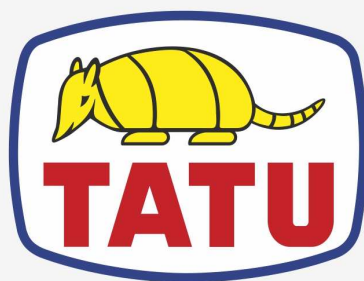
Item	Code	Description	See page	028	032	036	040
18	0601031076	DL24X6 C84AF02FR1.11/16 TATU		002	002	000	002
18.	0601031043	DL24X4,75 C72AF02FR1.11/16 TATU TER		000	000	016	000
18..	0601029008	DL22X4,5 C74AFPFR1.11/16 TATU		000	000	000	002
19	0602029360	DR 22X6 C69AF02FR1.11/16 03REC TATU		002	002	002	002
19.	0602029044	DR22X4,5 C75AF02FR1.11/16 10R NICOL		000	000	002	000
19..	0602029352	DR22X4,75 C74AF02FR1.11/16 10R TATU		000	000	000	002



Item	Code	Description	See page	QT
01	0501059734	BEARING DMO 225 X 1.5/8 IMP	13	01
02	0503010834	1/2 X 1 BOLT		04
03	0503010019	1/2" SPRING WASHER		04
04	0503010762	SCREW 5/8 UNC X 3.1/2 CS G.5 ZN		02
05	0503010027	5/8 SPRING WASHER		02
06	0503010013	5/8 UNC G.5 ZN HEX NUT		02
07	0502012626	CENTER OSCILLATING BEARING SUPPORT		01
08	0501213923	BEARING PROTECTION COVER		01



Item	Code	Description	See page	QT
01	0502020691	BEARING HUB		01
02	0503010005	32212 ROLLER BEARING		02
03	0502010899	AXLE CM/DM		01
04	0503030685	5.5" X 4.4" X 0.003" GASKET		01
05	0503030030	5.6" X 4.4" X 0.01" GASKET		02
06	0502020161	WEAR PLATE BEARING		01
07	0503010237	3/8" X 1" BOLT		06
08	0503011443	SPRING WASHER 3/8"		06
09	0503030027	DUO-CONE SEAL		02
10	0502040287	SEAL RETAINER		02
11	0502040239	OUTER FLANGE		01
12	0502040240	INNER FLANGE		01
13	0503010856	OIL PLUG R 3/8 BSPT		02



MARCHESAN

Technical Publications | Elaboration and Revision

ALESSANDRA PATRICIA KAWAHARA CARRILI

www.marchesan.com.br

