

OFFSET DISK HARROW

GAPCR 360 - 12/14D - AXIS 2.1/8"
GAPCR 360 - 12/14D - EIXO 2.1/8"

Code: 0501093827
Series: S-1223
Revision: 00
Revision Date: FEBRUARY/2024

PARTS CATALOGUE



MARCHESAN



PRODUCTS

Code	Working Width	Description
0102060495		GAPCR 360 12X34X9,0 DR DMO E 2.1/8 PN400/60 S-1223
0102060491		GAPCR 360 14X34X9,0 DR DMO E 2.1/8 PN11L15 S-1223
0102060473		GAPCR 360 14X34X9,0 DR DMO E 2.1/8 PN400/60 S-1223

ATTENTION: IMPORTANT

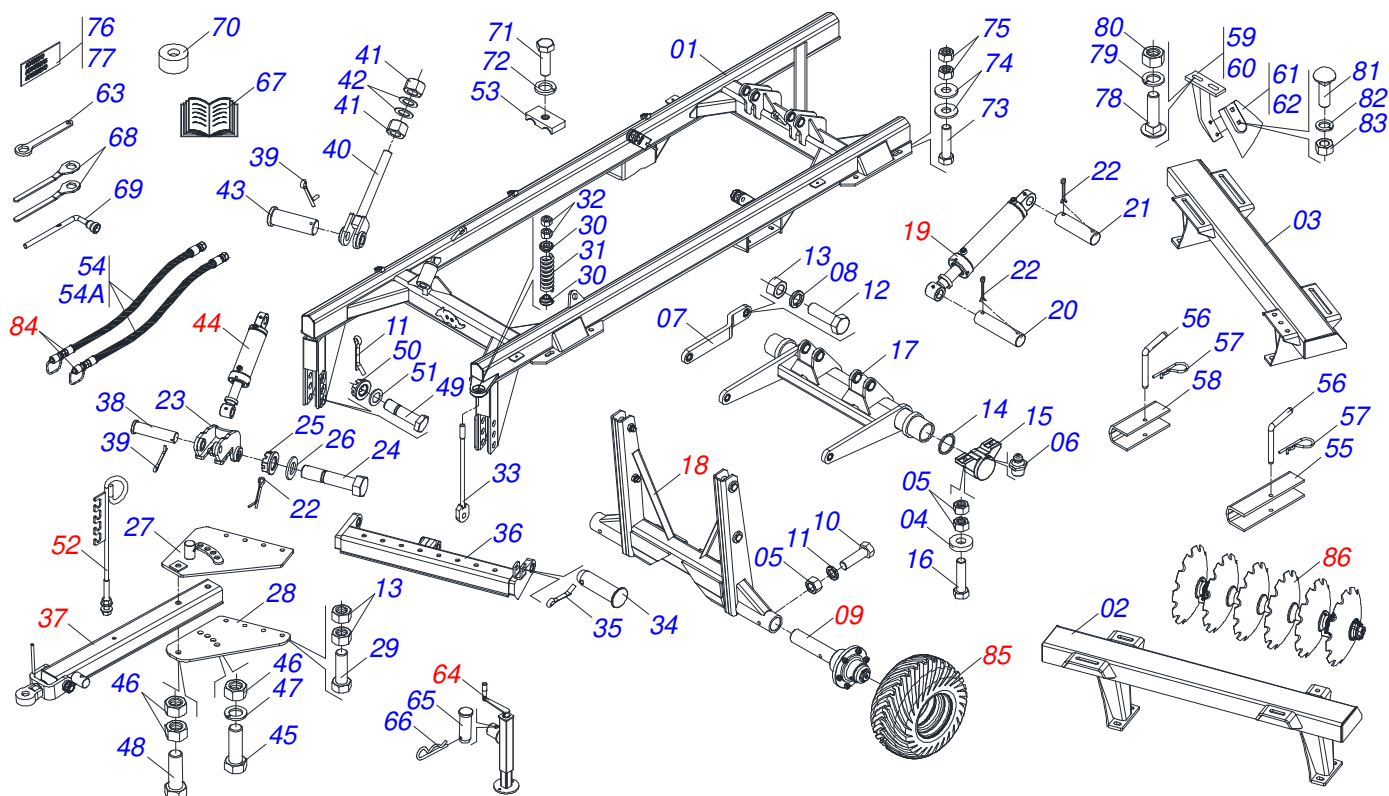
Marchesan S.A. reserves the right to improve and/or modify the technical features of its products, without obligation to do the same with those products already sold and without prior knowledge of the dealer or the customer. The photos are only illustrative.



MARCHESAN

INDEX

0909097093	ASSY FRAME - 12D	1
0909097095	ASSY FRAME - 14D	2
0501055850	CARRYNG WHEEL HUB ASSEMBLY ASSY	3
0501054685	WHEELS HUB ASSY	4
0521045051	WHEELS ASSY	5
0521044885	WHEEL ASSY	6
0531041388	53,98 X 101,6 X 630 X 300 HYDRAULIC CYLINDER	7
0511050170	HARNESS ASSY	8
0531041389	101,6 X 53,98 X 520 X 200 HYDRAULIC CYLINDER	9
0501040257	3/4" X 38" HOSE SUPPORT ASSY	10
0511048088	DRAWBAR JACK	11
0501053834	MALE QUICK COUPLER	12
0503061868	400/60 WHEEL WITH TIRE	13
0909097094	DISC GANG ASSY	14
0531041578	AGRICULTURAL BEARING DM OL 360 X 2.1/8	15
0531052835	AGRICULTURAL BEARING DM OL 360 X 2.1/8 SWING	16



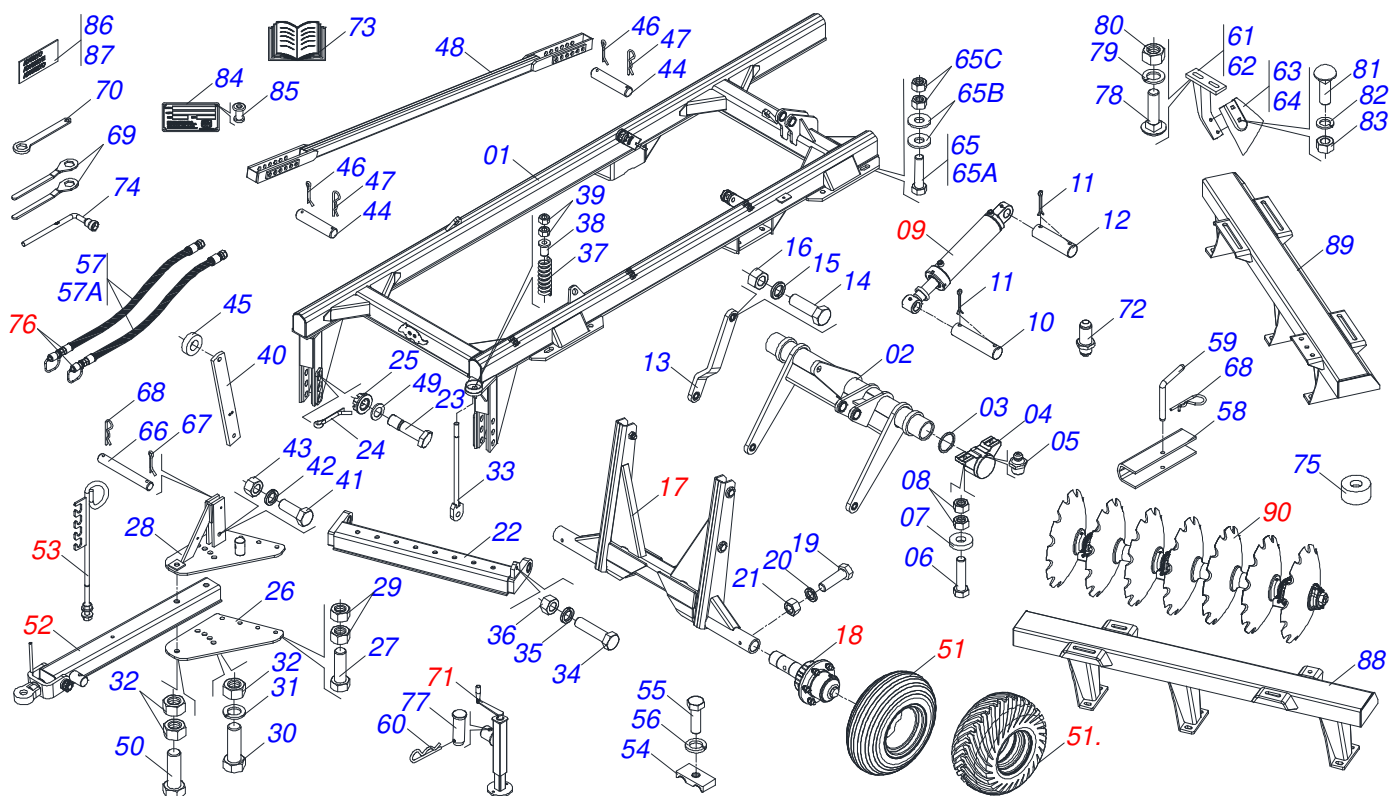
Item	Code	Description	See page	QT
01	0521064431	FRAME		01
02	0531067810	FRONT FRAME - 12D		01
03	0531067809	REAR FRAME - 12D		01
04	0521013710	WASHER SEMIMAN		04
05	0503012183	SNC 3/4" ZIN 1K03097 NUT		10
06	0503010002	1800 GREASE FITTING		03
07	0511063681	ARM		02
08	0503010012	1" SPRING WASHER		02
09	0501055850	CARRYNG WHEEL HUB ASSEMBLY ASSY	3	02
10	0503011084	3/4" X 5" BOLT		02
11	0503011442	3/4" SPRING WASHER		02
12	0503011432	BOLT		02
13	0503012182	1" NUT		10
14	0503012223	FELT RING		02
15	0502011583	BEARING AXLE		02
16	0511010392	BOLT		04
17	0511068627	WHEEL AXLE		01
18	0521045051	WHEELS ASSY	5	01
19	0531041388	53,98 X 101,6 X 630 X 300 HYDRAULIC CYLINDER	7	02
20	0591019956	44,45 X 168 HEADLESS PIN		02
21	0521013706	HEADLESS PIN		02
22	0503010010	SPLIT PIN 1/4" X 2.1/2"		11
23	0521062108	HEADING ARTICULATION		01
24	0521013739	BOLT HARNESS		01
25	0502011592	CASTLE NUT		01
26	0501012916	FLAT WASHER 40 X 66 X 4,75 ZN		01
27	0511068632	TOP HITCH PLATE		01
28	0521061881	LOWER HITCH PLATE		01
29	0501010219	1" X 7-1/2" BOLT		04
30	1902020392	SPRING SUPPORT		02



Item	Code	Description	See page	QT
31	0503031341	2.7 X 8 X 0.5 COMPRESSION SPRING		01
32	0501010059	1.5/8 NUT		02
33	0501066240	SPRING ROD		01
34	0521010592	1.1" X 3.1" COUPLING SHAFT		01
35	0503010571	1/4" X 1.1/2" SPLIT PIN		01
36	0511068631	DRAWBAR ASSY		01
37	0511050170	HARNES ASSY	8	01
38	0551015334	PIN		01
39	0503011345	1/4" X 3.1/2" SPLIT PIN		02
40	0511068629	PISTON TIME		01
41	0501010333	1.3/4" NUT		02
42	0521014368	FLAT WASHER		02
43	0551015331	PIN		01
44	0531041389	101,6 X 53,98 X 520 X 200 HYDRAULIC CYLINDER	9	01
45	0503012174	1-1/4" X 8-1/4" BOLT		01
46	0503012181	1.1/4" NUT		03
47	0503011439	1.1/4" SPRING WASHER		01
48	0501010085	1.1/4 UNC X 9 C S 8.8 ZN BOLT		01
49	0501016416	1-1/2" X 5.4" BOLT		02
50	0501011301	1.1/2" UNC 6FPP 2.5/16" NUT		02
51	0551012215	FLAT WASHER		02
52	0501040257	3/4" X 38" HOSE SUPPORT ASSY	10	01
53	0502012702	BODY SUPPORT CLAMP		03
54	0511050954	HOSE GAME		01
54A	0501080640	3/8 X 7200 TC-TM HOSE		02
55	0591019957	TRANSPORT LOCK		02
56	0541016844	FIXER LOCK		06
57	0503030285	HITCH PIN CLIP		06
58	0591019958	LOCK FOR TRANSPORTATION		01
59	0511060138	FRONT CLEANER SUPPORT		06
60	0511060139	REAR CLEANER SUPPORT		06
61	0521013678	FRONT CLEANER		06
62	0521013679	REAR CLEANER		06
63	0531013656	WRENCH		01
64	0511048088	DRAWBAR JACK	11	01
65	0561014251	COUPLING SHAFT		01
66	0503030012	HITCH PIN CLIP		01
67	0511030134	BAG WITH INSTRUCTION MANUAL		01
68	0501316941	KEY 2.1/8 AND 2.1/2		02
69	0501061617	1" GANG BOLT WRENCH		01
70	0503013171	SEALING 1/2" X 10M 1J51066		01
71	0503012555	SCREW 7/16 UNC X 2 CS RT G.7 ZN		03
72	0503010180	7/16" SPRING WASHER		03
73	0503011432	BOLT		08
74	0521015523	BOOST		16
75	0503812182	HEXAGONAL NUT		16
76	0503031428	READ MANUAL DECAL		01
76.	0503031087	AUTO CONTROL APPROVED DECAL		01
76..	0503031827	LUBRICATE AND RETIGHTEN DAILY DECAL		01
76...	0503034499	HOSE IDENTIFICATION DECAL		01
77	0503034078	LIFTING POINTS DECAL		03
77.	0503031738	WARNING DECAL		01
77..	0503033038	DANGER DECAL		01
77...	0503031739	DANGER DECAL		01
77....	0503060788	GAPCR DECAL SET		01
78	0503012180	FRENCH 3/4" X 2 BOLT		12
79	0503010023	3/4" SPRING WASHER		12



Item	Code	Description	See page	QT
80	0503012183	SNC 3/4" ZIN 1K03097 NUT		12
81	0503012195	5/8" NUT		12
82	0503010027	5/8 SPRING WASHER		12
83	0503010013	5/8 UNC G.5 ZN HEX NUT		12
84	0501053834	MALE QUICK COUPLER	12	02
85	0503061868	400/60 WHEEL WITH TIRE	13	02
86		DISC GANG ASSY	14	



Item	Code	Description	See page	QT
01	0521064430	FRAME		01
02	0511060135	WHEELS AXLE		01
03	0503012223	FELT RING		02
04	0502011583	BEARING AXLE		02
05	0503010002	1800 GREASE FITTING		02
06	0503010797	3/4" X 4" BOLT		04
07	0521013710	WASHER SEMIMAN		04
08	0503012183	SNC 3/4" ZIN 1K03097 NUT		08
09	0531041388	53,98 X 101,6 X 630 X 300 HYDRAULIC CYLINDER	7	01
10	0591019956	44,45 X 168 HEADLESS PIN		01
11	0503010010	SPLIT PIN 1/4" X 2.1/2"		04
12	0521013706	HEADLESS PIN		01
13	0511063681	ARM		02
14	0503011432	BOLT		02
15	0503010012	1" SPRING WASHER		02
16	0503012182	1" NUT		02
17	0521044885	WHEEL ASSY	6	01
17.	0521045051	WHEELS ASSY	5	01
18	0501054685	WHEELS HUB ASSY	4	02
18.	0501055850	CARRYNG WHEEL HUB ASSEMBLY ASSY	3	02
19	0501010163	5/8" X 4-1/2" BOLT		02
19.	0503811084	BOLT		02
20	0503010027	5/8 SPRING WASHER		02
20.	0503011442	3/4" SPRING WASHER		02
21	0503010013	5/8 UNC G.5 ZN HEX NUT		02
21.	0503810014	3/4" NUT		02
22	0511060115	DRAWBAR		01
23	0501016416	1-1/2" X 5.4" BOLT		02
24	0503010010	SPLIT PIN 1/4" X 2.1/2"		02
25	0501011301	1.1/2" UNC 6FPP 2.5/16" NUT		02



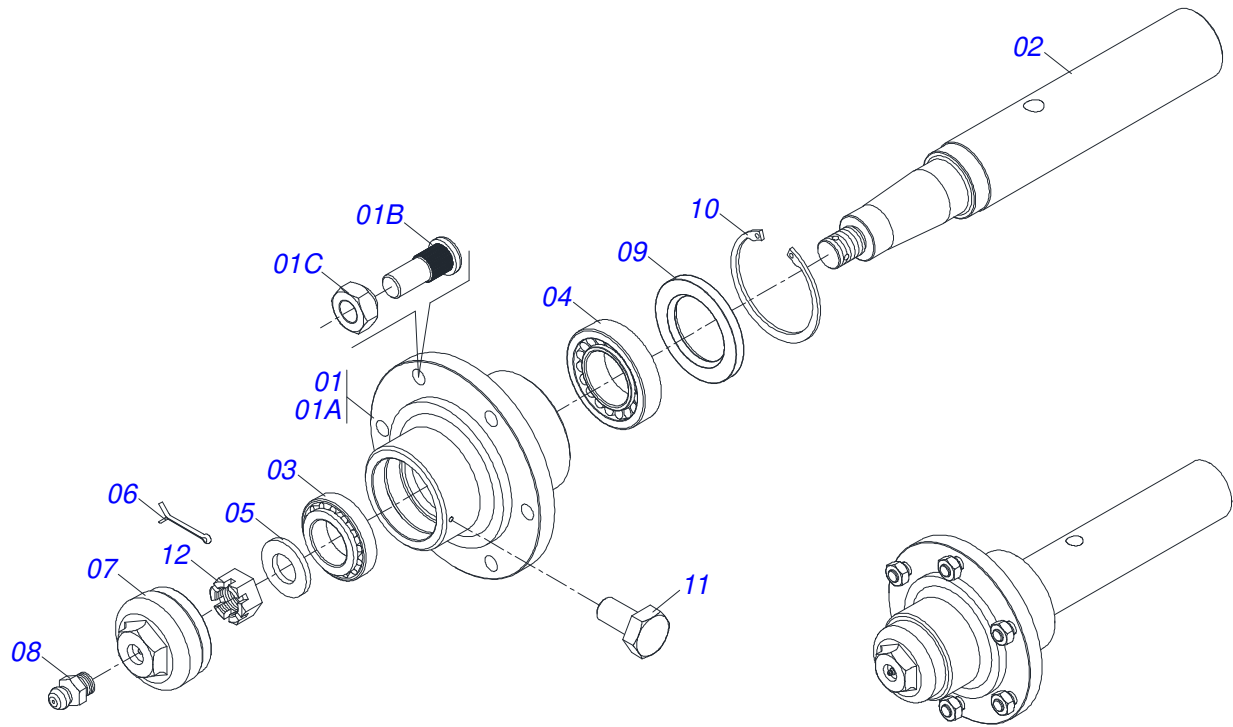
ASSY FRAME - 14D

0909097095

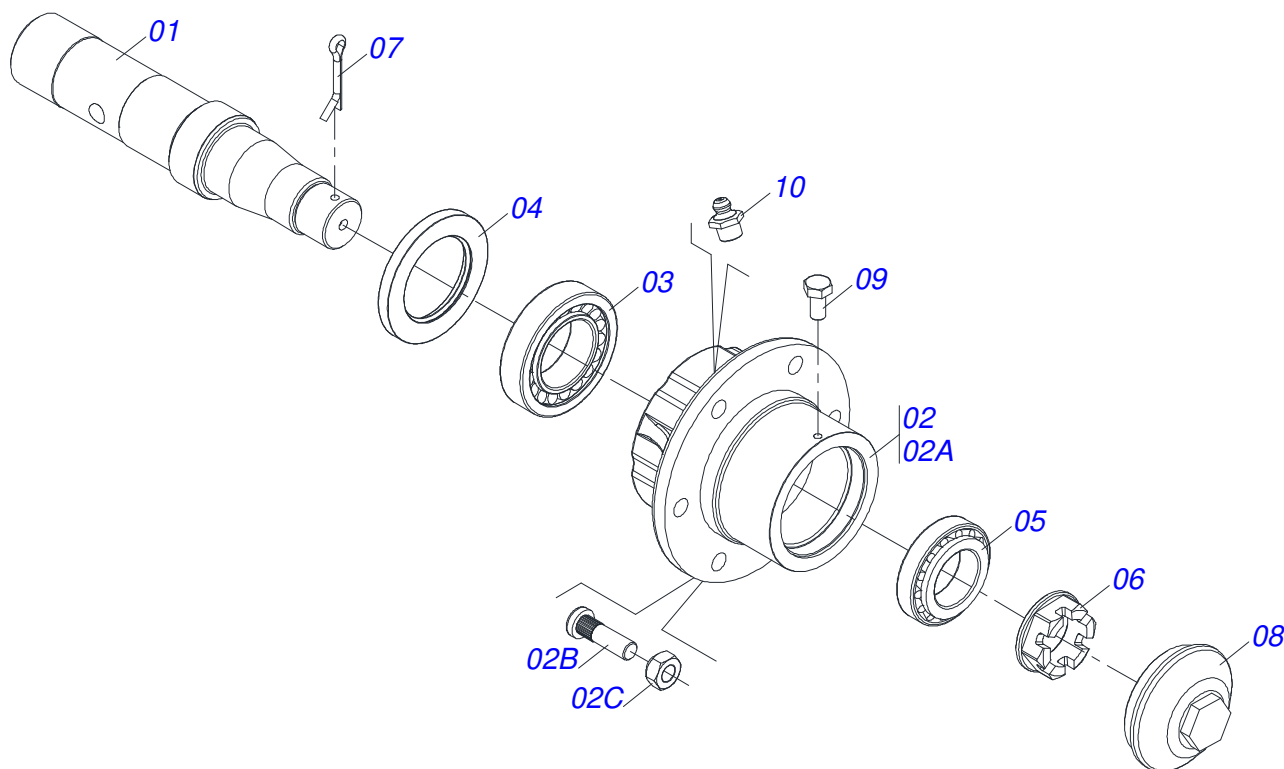
Item	Code	Description	See page	QT
26	0511060125	BOTTOM PLATE HITCH		01
27	0501010219	1" X 7-1/2" BOLT		04
28	0511060126	TOP PLATE HITCH		01
29	0503012182	1" NUT		08
30	0503012192	1-1/4" X 8 BOLT		01
31	0503010070	SPRING WASHER		01
32	0503012181	1.1/4" NUT		03
33	0511060124	SPINDLE ASSEMBLY		01
34	0501010125	3/4" X 2-1/2" BOLT		01
35	0503010023	3/4" SPRING WASHER		01
36	0503012183	SNC 3/4" ZIN 1K03097 NUT		01
37	0503031460	SPRING		01
38	0502011582	SPINDLE GUIDE		01
39	0503012182	1" NUT		02
40	0521013673	TOWER		01
41	0503011432	BOLT		01
42	0503010012	1" SPRING WASHER		01
43	0503012182	1" NUT		01
44	0521013703	PIN FREE HEAR		02
45	0521015518	BOOST		04
46	0503010038	3/16" X 2" SPLIT PIN		02
47	0503031470	TM 251 X 4,0 STAPLE		02
48	0511060127	BEAM STABILIZER		01
49	0551012215	FLAT WASHER		02
50	0501014174	1-1/4" X 9.5" BOLT		01
51	0503061864	WHEEL SET		02
51.	0503061868	400/60 WHEEL WITH TIRE	13	02
52	0511050170	HARNES ASSY	8	01
53	0501040257	3/4" X 38" HOSE SUPPORT ASSY	10	01
54	0502012702	BODY SUPPORT CLAMP		03
55	0503012555	SCREW 7/16 UNC X 2 CS RT G.7 ZN		03
56	0503010180	7/16" SPRING WASHER		03
57	0511050954	HOSE GAME		01
57A	0501080640	3/8 X 7200 TC-TM HOSE		02
58	0591019957	TRANSPORT LOCK		01
59	0541016844	FIXER LOCK		01
60	0503030012	HITCH PIN CLIP		01
61	0511060138	FRONT CLEANER SUPPORT		07
62	0511060139	REAR CLEANER SUPPORT		07
63	0521013678	FRONT CLEANER		07
64	0521013679	REAR CLEANER		07
65	0531041590	1 X 4 C S COMPLETE SCREW ASSEMBLY		08
65A	0503011432	BOLT		01
65B	0521015523	BOOST		02
65C	0503012182	1" NUT		02
66	0521013812	HEADLESS CLEVIS PIN		01
67	0503010362	1/8" X 1.1/4" SPLIT PIN		01
68	0503030285	HITCH PIN CLIP		02
69	0501011431	1-3/4" GANG BOLT WRENCH		02
70	0531013656	WRENCH		01
71	0511048088	DRAWBAR JACK	11	01
72	0551012528	ADAPTER (GND)		02
73	0511030134	BAG WITH INSTRUCTION MANUAL		01
74	0503018438	1" WRENCH CYLINDRICAL HEX		01
75	0503013171	SEALING 1/2" X 10M 1J51066		01
76	0501053834	MALE QUICK COUPLER	12	02
77	0561014251	COUPLING SHAFT		01



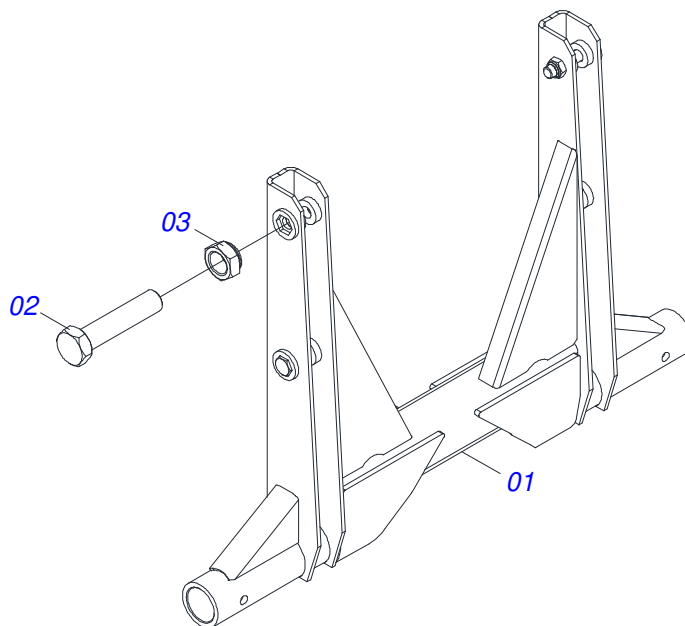
Item	Code	Description	See page	QT
78	0503012180	FRENCH 3/4" X 2 BOLT		28
79	0503010023	3/4" SPRING WASHER		28
80	0503012183	SNC 3/4" ZIN 1K03097 NUT		28
81	0503012195	5/8" NUT		28
82	0503010027	5/8 SPRING WASHER		28
83	0503010013	5/8 UNC G.5 ZN HEX NUT		28
84	0503034003	61 X 118 SERIAL NUMBER TAG		01
85	0503010001	RIVET 3,2 X 5,5		04
86	0503031428	READ MANUAL DECAL		01
86.	0503031738	WARNING DECAL		01
86..	0503033038	DANGER DECAL		02
87	0503031087	AUTO CONTROL APPROVED DECAL		01
87.	0503031739	DANGER DECAL		01
87..	0503061972	GAPCR 360 DECAL SET		01
88	0531067812	FRONT FRAME - 14D		01
89	0531067811	REAR FRAME - 14D		01
90		DISC GANG ASSY	14	



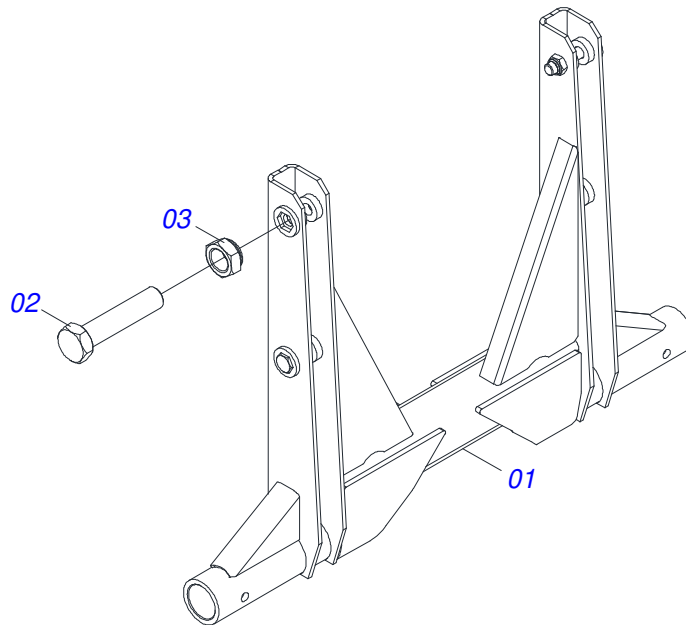
Item	Code	Description	See page	QT
01	0501110766	HUB CARRYING WHEELS WITH BOLT		01
01A	0502011715	WHEEL HUB		01
01B	0503012307	5/8" X 2" BOLT		06
01C	0503010064	5/8 UNF CONIC NUT		06
02	0541014720	CR 7076205/1/1 AXLE		01
03	0503010006	32210 ROLLER BEARING		01
04	0503010005	32212 ROLLER BEARING		01
05	0501010086	FLAT WASHER		01
06	0503010067	3/16" X 2.1/2" SPLIT PIN		01
07	0502011647	COVER		01
08	0503010691	1/4" GREASE FITTING		01
09	0503010009	RETAINER 00573-B		01
10	0503012723	502115 RENO RING		01
11	0503010298	1/4" X 1/2" BOLT		01
12	0503012457	UNF 1.1/4" CASTLE NUT		01



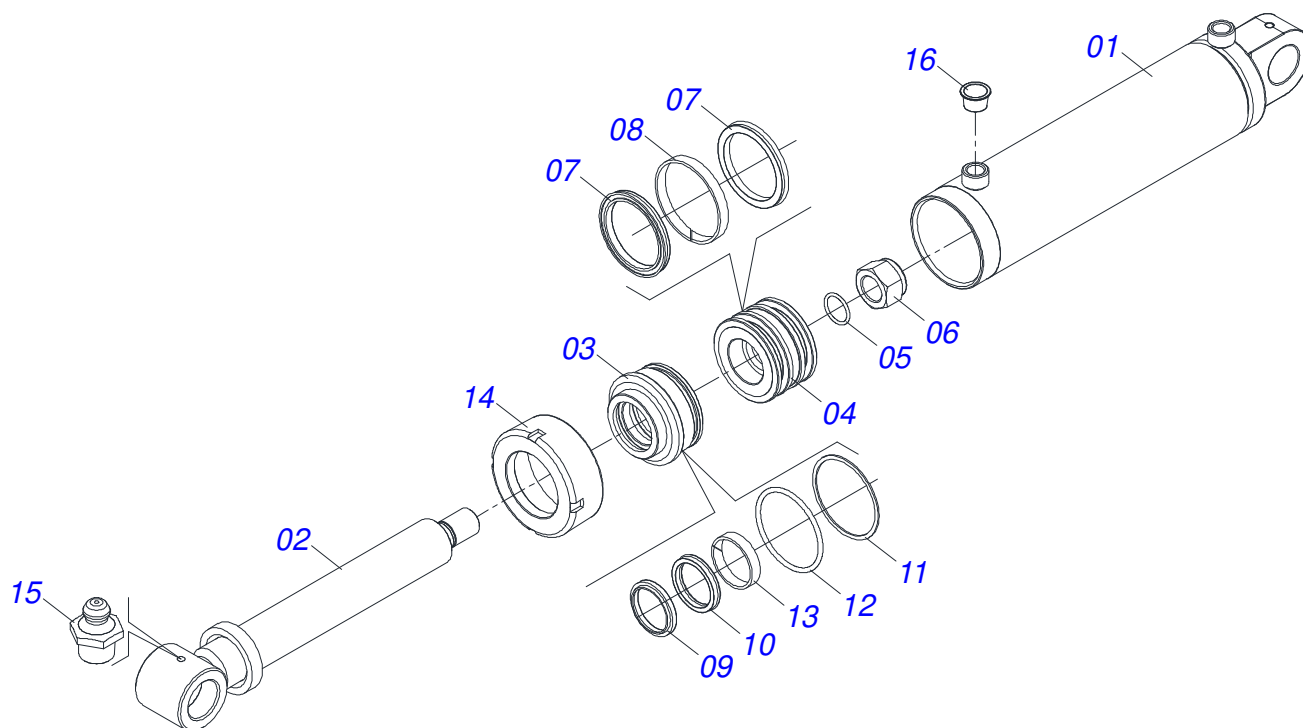
Item	Code	Description	See page	QT
01	0531019478	CR 30M/1 AXLE		01
02	0501110768	HUB CARRYING WHEELS WITH BOLT		01
02A	0502011389	HUB		01
02B	0501010186	WHEEL BOLT 5/8"UNF X 2.1/8CR		06
02C	0503010064	5/8 UNF CONIC NUT		06
03	0503010005	32212 ROLLER BEARING		01
04	0503010009	RETAINER 00573-B		01
05	0503010006	32210 ROLLER BEARING		01
06	0501010888	1.3/4" 2.5/16" CASTLE NUT		01
07	0503010010	SPLIT PIN 1/4" X 2.1/2"		01
08	0502020593	PROTECTION LID		01
09	0503010295	SCREW 5/16 UNC X 5/8 CS G.2 ZN		01
10	0503010002	1800 GREASE FITTING		01



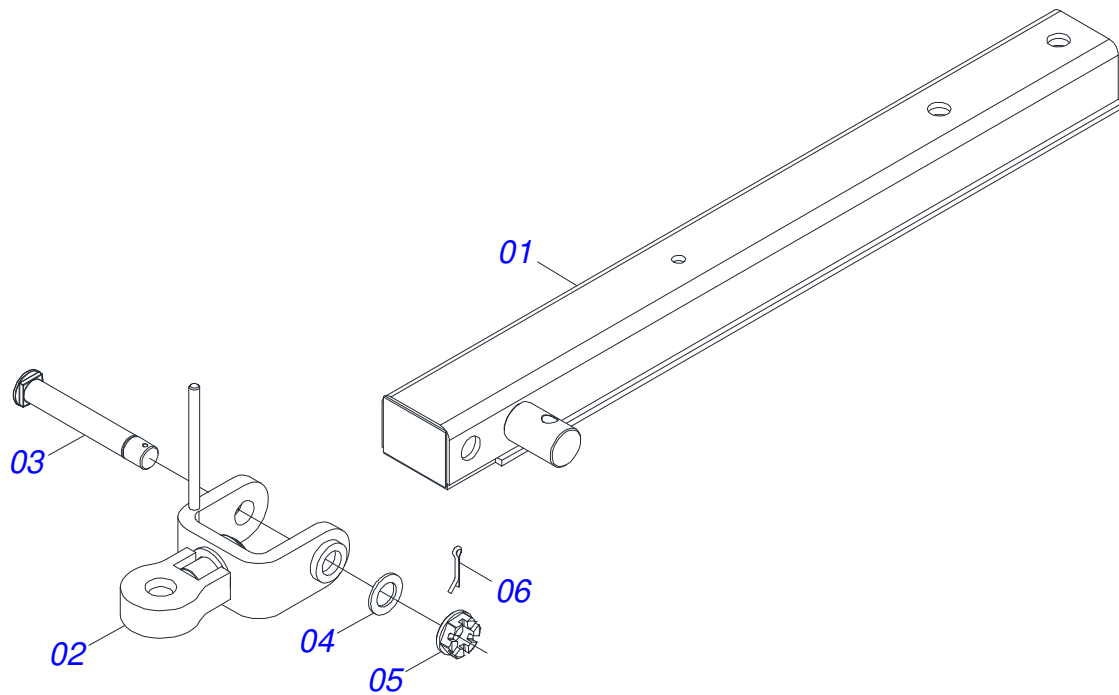
Item	Code	Description	See page	QT
01	0511068626	ASSEMBLY CARRYING-WHEELS		01
02	0501011547	1" X 4-1/2" BOLT		04
03	0503014182	SELF-ADJUSTING NUT		04



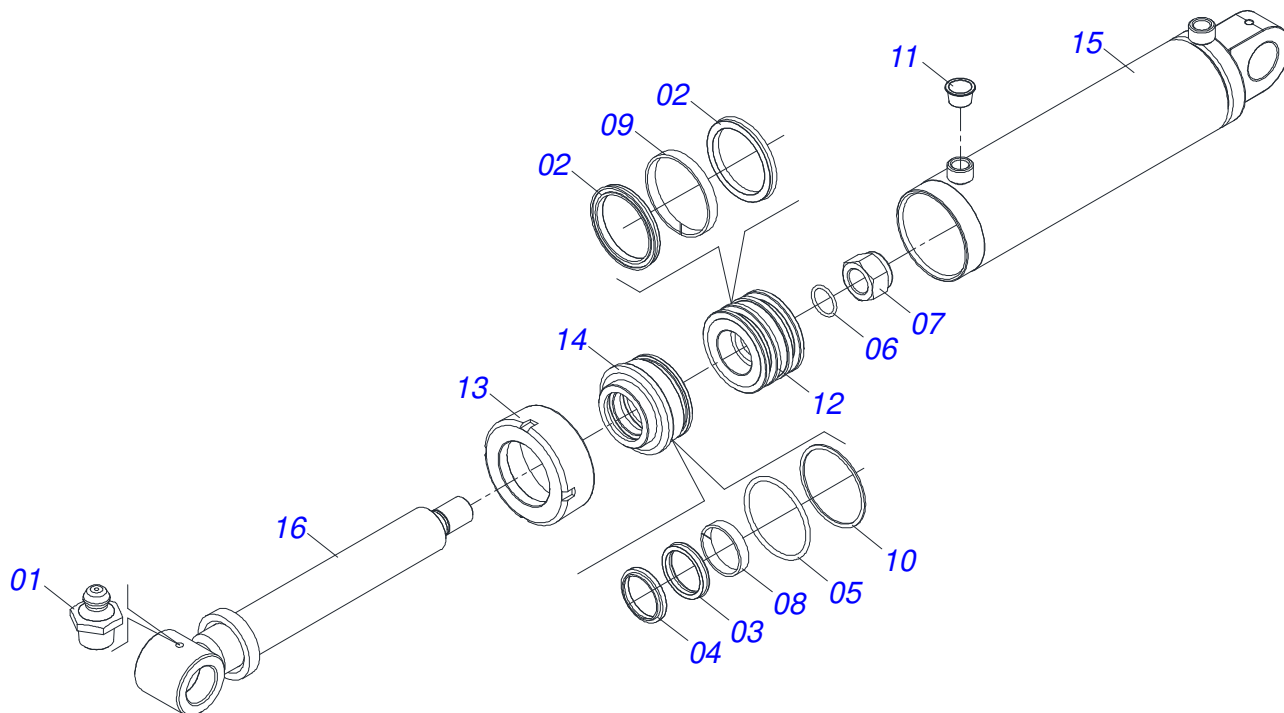
Item	Code	Description	See page	QT
01	0511060141	WHEEL ASSEMBLY		01
02	0501011547	1" X 4-1/2" BOLT		04
03	0503014182	SELF-ADJUSTING NUT		04



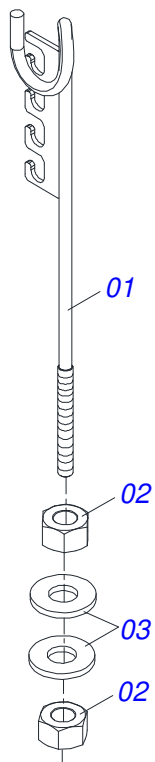
Item	Code	Description	See page	QT
01	0511062252	101,6 X 418 CYLINDER CASE		01
02	0531062977	HYDRAULIC CYLINDER TURNBUCKLE		01
03	0502011250	RING OF SUPPORT		01
04	0502011969	53,98 X 101,60 PISTON		01
05	0503010345	2-218 N 3006-9B O-RING		01
06	0503010817	SELF LOCKING NUT 1.1/4 UNF ALTA G.5 ZN		01
07	0503010043	PACKING 3750-3250		02
08	0503010994	W2-4000-500 PK RING G.E		01
09	0503010319	D-2125 SCRAPER		01
10	0503010314	GASKET		01
11	0503011061	8-342 BACK-UP RING		01
12	0503010338	2-342 N 3006-9B O-RING		01
13	0503010973	W2-2500-500 PK O-RING G.E		01
14	0502010017	4" LID		01
15	0503010002	1800 GREASE FITTING		02
16	0503030384	PLUG N-001		02



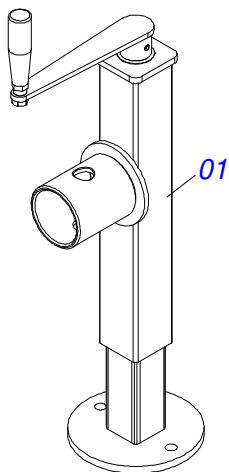
Item	Code	Description	See page	QT
01	0511060119	HARNESS		01
02	0521062956	HITCH		01
03	0561018588	COUPLING SHAFT		01
04	0501011301	1.1/2" UNC 6FPP 2.5/16" NUT		01
05	0501012916	FLAT WASHER 40 X 66 X 4,75 ZN		01
06	0503010010	SPLIT PIN 1/4" X 2.1/2"		01



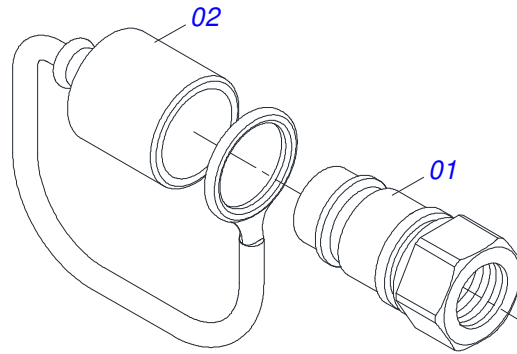
Item	Code	Description	See page	QT
01	0503010002	1800 GREASE FITTING		02
02	0503010043	PACKING 3750-3250		02
03	0503010314	GASKET		01
04	0503010319	D-2125 SCRAPER		01
05	0503010338	2-342 N 3006-9B O'RING		01
06	0503010345	2-218 N 3006-9B O'RING		01
07	0503010817	SELF LOCKING NUT 1.1/4 UNF ALTA G.5 ZN		01
08	0503010973	W2-2500-500 PK O'RING G.E		01
09	0503010994	W2-4000-500 PK RING G.E		01
10	0503011061	8-342 BACK-UP RING		01
11	0503030384	PLUG N-001		02
12	0502011969	53,98 X 101,60 PISTON		01
13	0502010017	4" LID		01
14	0502011250	RING OF SUPPORT		01
15	0511068637	CYLINDER CASE		01
16	0531062978	HYDRAULIC CYLINDER TURNBUCKLE		01



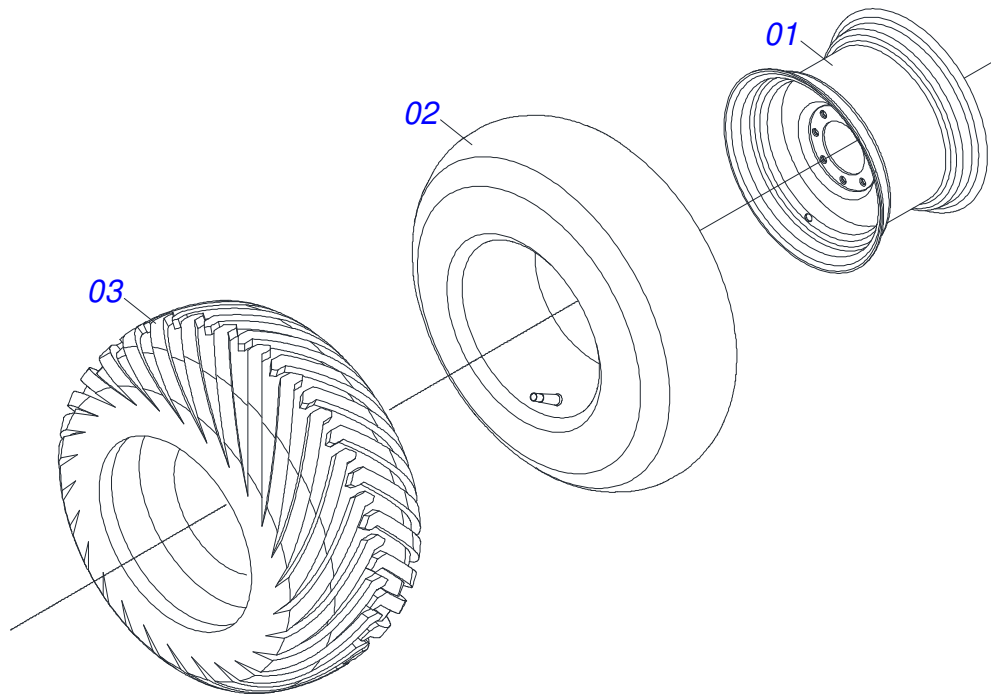
Item	Code	Description	See page	QT
01	0511067334	HOSE SUPPORT		01
02	0503010014	3/4" ZN G.5 (HEAVY) UNC HEX NUT		02
03	0501010322	20,50 X 46 X 4,00 ZN FLAT WASHER		02



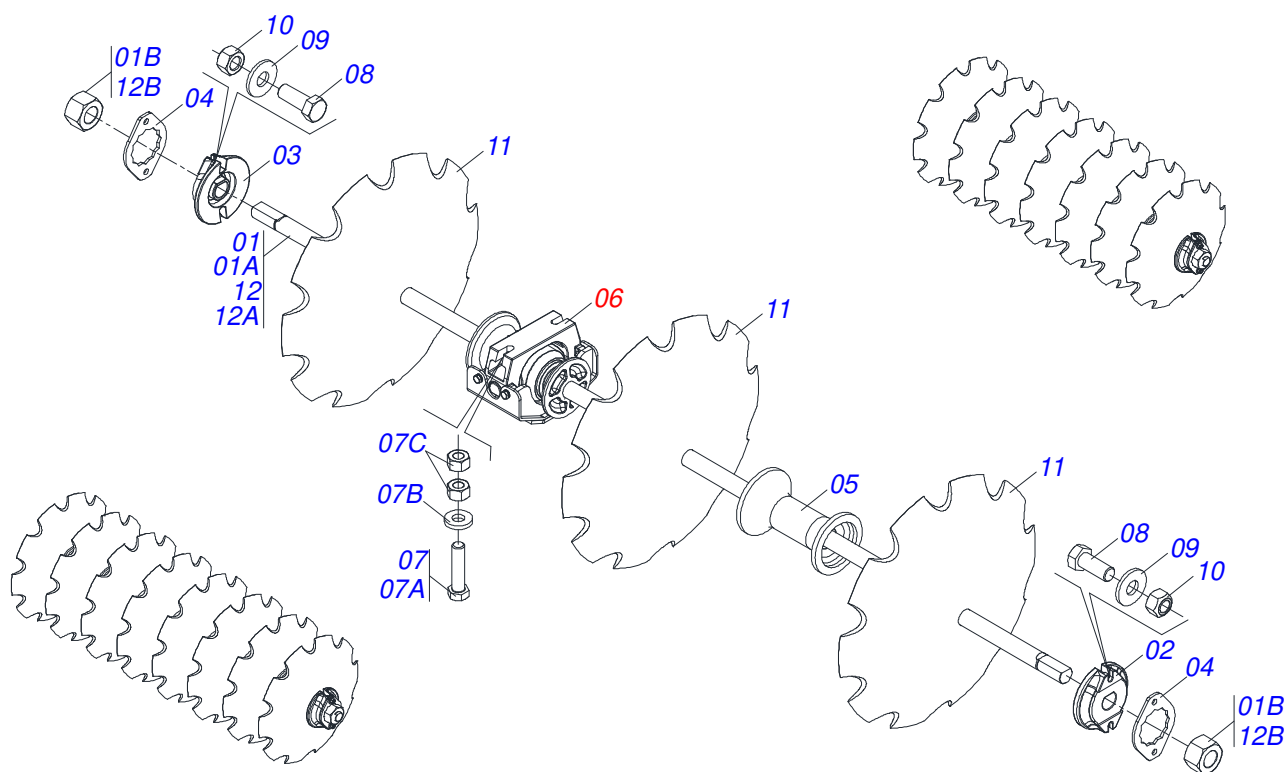
Item	Code	Description	See page	QT
01	0503062227	DRAWBAR JACK		01



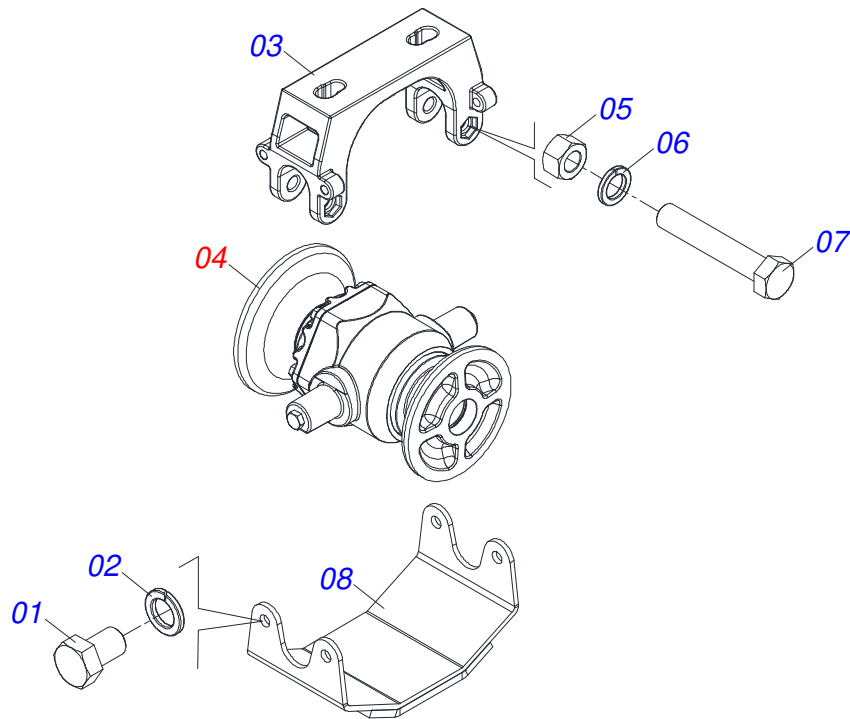
Item	Code	Description	See page	QT
01	0503011627	MALE QUICK COUPLER AGR 1/2 NPT		01
02	0503011882	MALE QUICK COUPLER CAP		01



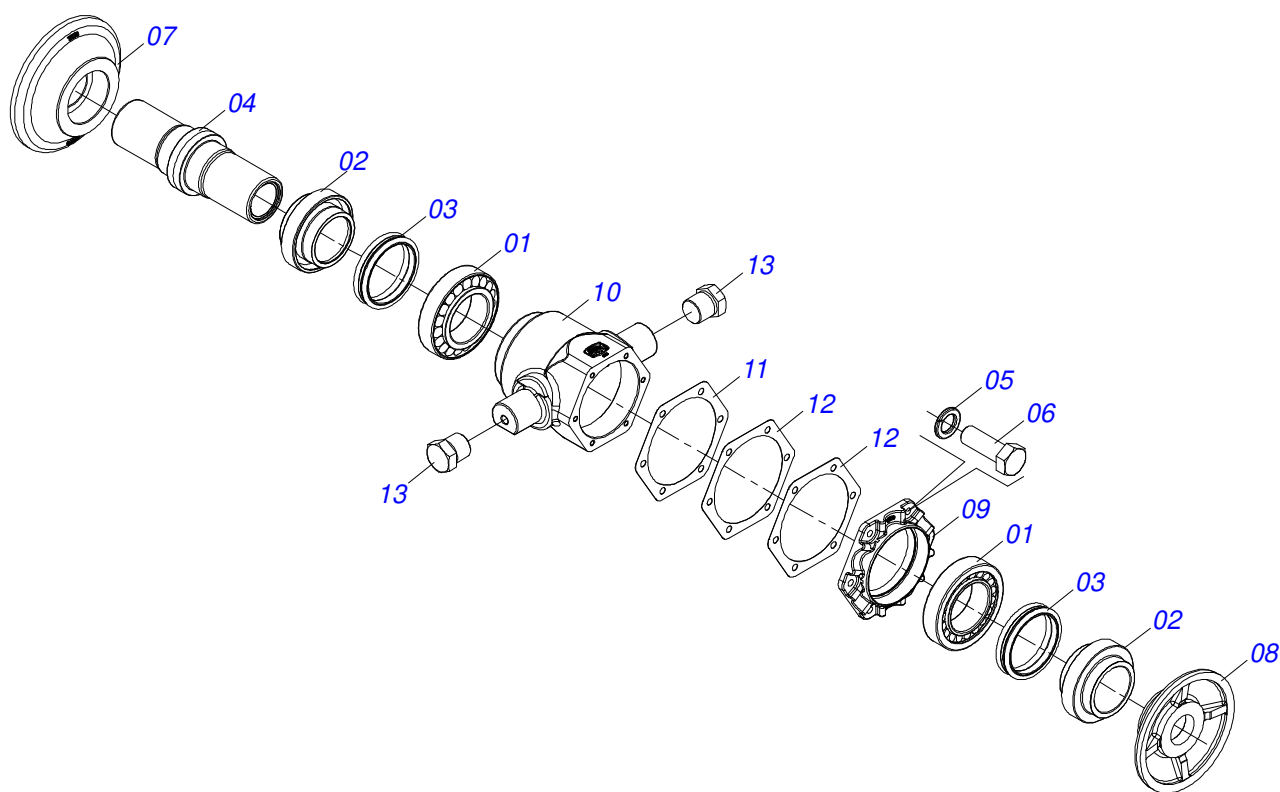
Item	Code	Description	See page	QT
01	0503012916	W-13 X 16,5 HOOP WHEEL		01
02	0503012112	400/60 - 15.5 TR 15 INNER TIRE		01
03	0503013119	CANVAS TIRE 400/60-15,5-T404-14L TRELEBORG		01



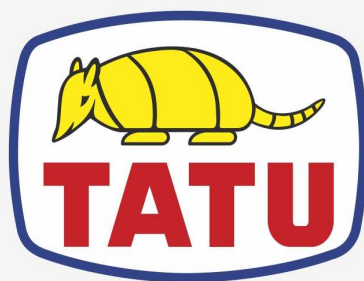
Item	Code	Description	See page	12	14
01	0531045631	AXIS 2.1/8 X 2040 WITH NUTS		02	00
01A	0501318171	AXIS 2.1/8 X 1322		01	00
01B	0502040063	2-1/8" X 54 99 NUT		02	00
02	0502010594	2-1/8" EXTERNAL AXLE WASHER		02	02
03	0502010595	2-1/8" INNER AXLE WASHER		02	02
04	0541010368	NUT LOCK		04	04
05	0502040928	SEPARATOR		06	06
06	0531041578	AGRICULTURAL BEARING DM OL 360 X 2.1/8	15	04	06
07	0531041581	1" X 4" BOLT ASSY		08	12
07A	0503011432	BOLT		01	01
07B	0541010210	FLAT WASHER		01	01
07C	0501010059	1.5/8 NUT		02	02
08	0503010232	5/8" X 1.3/4" BOLT		08	08
09	0501012140	FLAT WASHER 16,50 X 40 X 4,00 ZN		08	08
10	0503012412	5/8" UNC SELF LOCKING NUT		08	08
11	0602046013	DR 34 X 9,00 C120AF04FR2.3/16 12R		12	14
12	0531045630	AXIS 2.1/8 X 2410 WITH NUTS		00	02
12A	0551017146	2.1/8" X 2390 AXLE		00	01
12B	0502040063	2-1/8" X 54 99 NUT		00	02



Item	Code	Description	See page	QT
01	0503010834	1/2 X 1 BOLT		04
02	0503010019	1/2" SPRING WASHER		04
03	0502013011	360 OSCILLATING BEARING SUPPORT (CENTRAL)		01
04	0531052835	AGRICULTURAL BEARING DM OL 360 X 2.1/8 16 SWING		01
05	0503010013	5/8 UNC G.5 ZN HEX NUT		02
06	0503010027	5/8 SPRING WASHER		02
07	0503010480	5/8" X 4.3/4" BOLT		02
08	0501210530	SWING BEARING COVER		01



Item	Code	Description	See page	QT
01	0503010117	32216 ROLLER BEARING		02
02	0502040123	MRO - 330 RETAINER DOOR WITH BUSHING		02
03	0503030028	JB-257 SEAL		02
04	0502040034	BEARING AXLE		01
05	0503011443	SPRING WASHER 3/8"		06
06	0503010751	C3/8" X 1.1/4" HEX BOLT G.5		06
07	0501211750	EXTERNAL DISC BACKREST 2.1/8		01
08	0501211749	INTERNAL BACKREST DISC 2.1/8		01
09	0502012772	BEARING COVER		01
10	0502013012	2.1/8" BEARING HUB		01
11	0503034044	JOINT		01
12	0503034045	JOINT		02
13	0503010856	OIL PLUG R 3/8 BSPT		02
14	3402301275	TATU OIL		0.6 Lts



MARCHESAN

Technical Publications | Elaboration and Revision

ALESSANDRA PATRICIA KAWAHARA CARRILI

www.marchesan.com.br

