

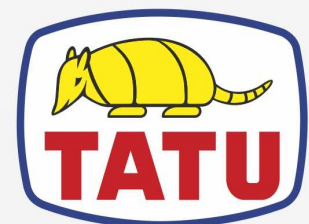
KNIFE ROLLER

CICLUS 9000
CICLUS 9000

Code: 0501093819
Series: S-0124
Revision: 00
Revision Date: JANUARY/2024

PARTS

CATALOGUE



MARCHESAN



PRODUCTS

Code	Working Width	Description
0102590002		CICLUS 9000 S-0124

ATTENTION: IMPORTANT

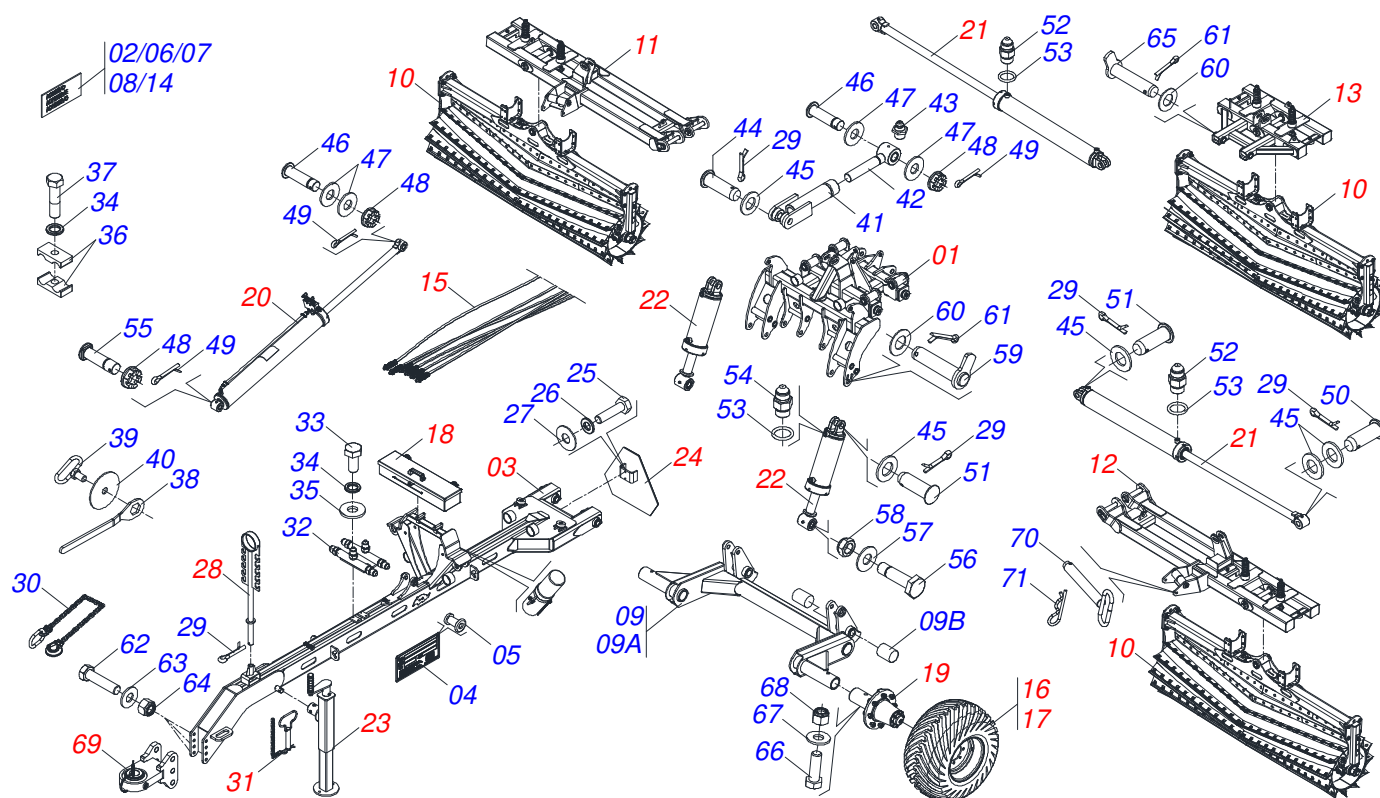
Marchesan S.A. reserves the right to improve and/or modify the technical features of its products, without obligation to do the same with those products already sold and without prior knowledge of the dealer or the customer. The photos are only illustrative.



MARCHESAN

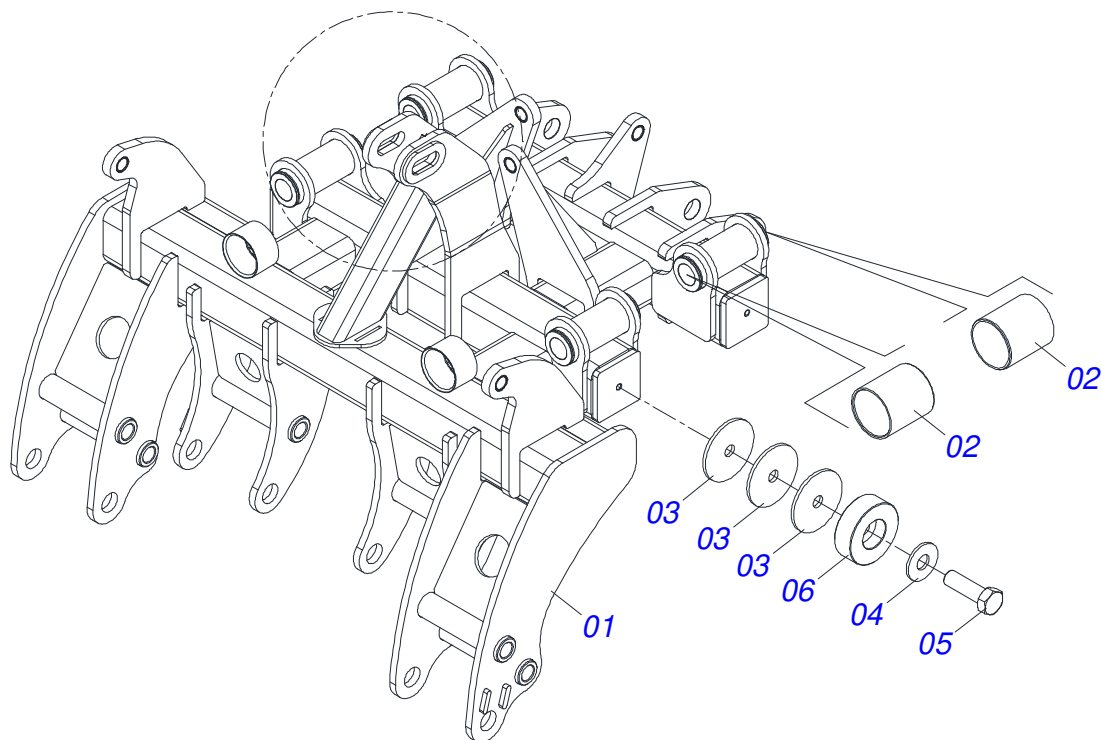
INDEX

0909097074	FRAME ASSY	1
0541052538	CENTRAL FRAME WITH BUSHING	2
0541052539	DRAWBAR (5312) WITH BUSHING	3
0531045503	COMPLETE ROLL	4
0541052540	ROLLER FIXATION SUPPORT WITH BUSHING	5
0531045502	9.30" X 2.1/8" NATIONAL DMO AGRICULTURAL BEARING WITH PROTECTION	6
0541052534	9.30" X 2.1/8" NATIONAL DMO AGRICULTURAL BEARING	7
0909097075	RIGHT SIDE FRAME ASSY	8
0909097076	LEFT SIDE FRAME ASSY	9
0909097077	REAR FRAME ASSEMBLY	10
0541053257	HOSE SET	11
0503064500	WHEEL WITH TIRE 400/60 X 15.5-16L LEFT	12
0503064501	WHEEL WITH TIRE 400/60 X 15.5-16L RIGHT	13
0531045625	TOOL BOX ASSY	14
0501056467	WHEEL WITHOUT TIRE	15
0531045500	2.50" X 5.90" X 59.30" X 45.10" HYDRAULIC CYLINDER WITH RETENTION VALVE	16
0531045499	2.50" X 5.90" X 59.30" X 45.10" HYDRAULIC CYLINDER	17
0531045501	50,80 X 101,60 X 1280 X 765 HYDRAULIC CYLINDER	18
0531045498	2" X 4.50" X 24.80" X 8.50" HYDRAULIC CYLINDER	19
0521055305	HEAVY ROW JACK	20
0531040334	SAFETY TRIANGLE DECAL	21
0521058087	AXLE 5/8 EC 72 ASSY	22
0521049934	TRACTOR HITCH	23

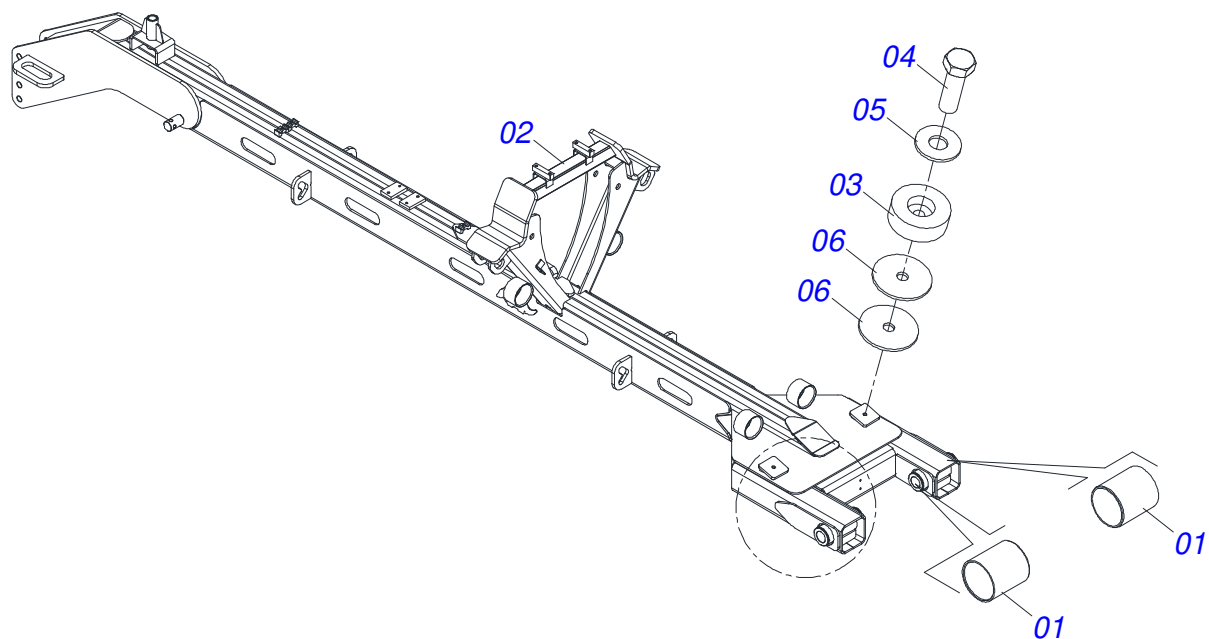


Item	Code	Description	See page	QT
01	0541052538	CENTRAL FRAME WITH BUSHING	2	01
02	0503034078	LIFTING POINTS DECAL		13
02.	0503035222	WARNING MACHINE RUNAWAY DECAL		01
02..	0503035219	DANGER NEGATIVE TONGUE DECAL		01
02...	0503013229	REFLECTIVE SIDE BAND		08
03	0541052539	DRAWBAR (5312) WITH BUSHING	3	01
04	0503034003	61 X 118 SERIAL NUMBER TAG		01
05	0503010001	RIVET 3,2 X 5,5		04
06	0503035340	TATU LOGO DECAL		02
06.	0503033038	DANGER DECAL		01
06..	0503035531	COLORS HOSE GRIP DECAL (TATU SPEED DISK)		01
06...	0503031827	DAILY LUBRICATION AND RETIGHTENING DECAL		01
07	0503031428	ATTENTION READ MANUAL DECAL		01
07.	0503035216	CAUTION HYDRAULIC CONTROL HAZARD DECAL		01
07..	0503035218	DANGER ELETROCUTION HAZARD DECAL		01
07...	0503035220	WARNING FRAME PINCH POINT DECAL		01
08	0503035221	WARNING HIGH PRESSURE DECAL		01
08.	0503035223	WARNING MAXIMUM SPEED DECAL		01
08..	0503035224	WARNING SAFETY INFORMATION DECAL		01
08...	0503031739	DANGER DECAL		01
09	0541052782	CENTER WHEEL WITH BUSHINGS		01
09A	0531067399	500 X 2305 CENTRAL WHEEL		01
09B	0503019271	SELF LUBRICATING BUSHING		04
10	0531045503	COMPLETE ROLL	4	03
11		RIGHT SIDE FRAME ASSY	8	
12		LEFT SIDE FRAME ASSY	9	
13		REAR FRAME ASSEMBLY	10	
14	0503035217	DANGER CRUSHING HAZARD DECAL		02
14.	0503031896	DANGER DECAL		02
15	0541053257	HOSE SET	11	01
16	0503064500	WHEEL WITH TIRE 400/60 X 15.5-16L LEFT	12	01
17	0503064501	WHEEL WITH TIRE 400/60 X 15.5-16L RIGHT	13	01

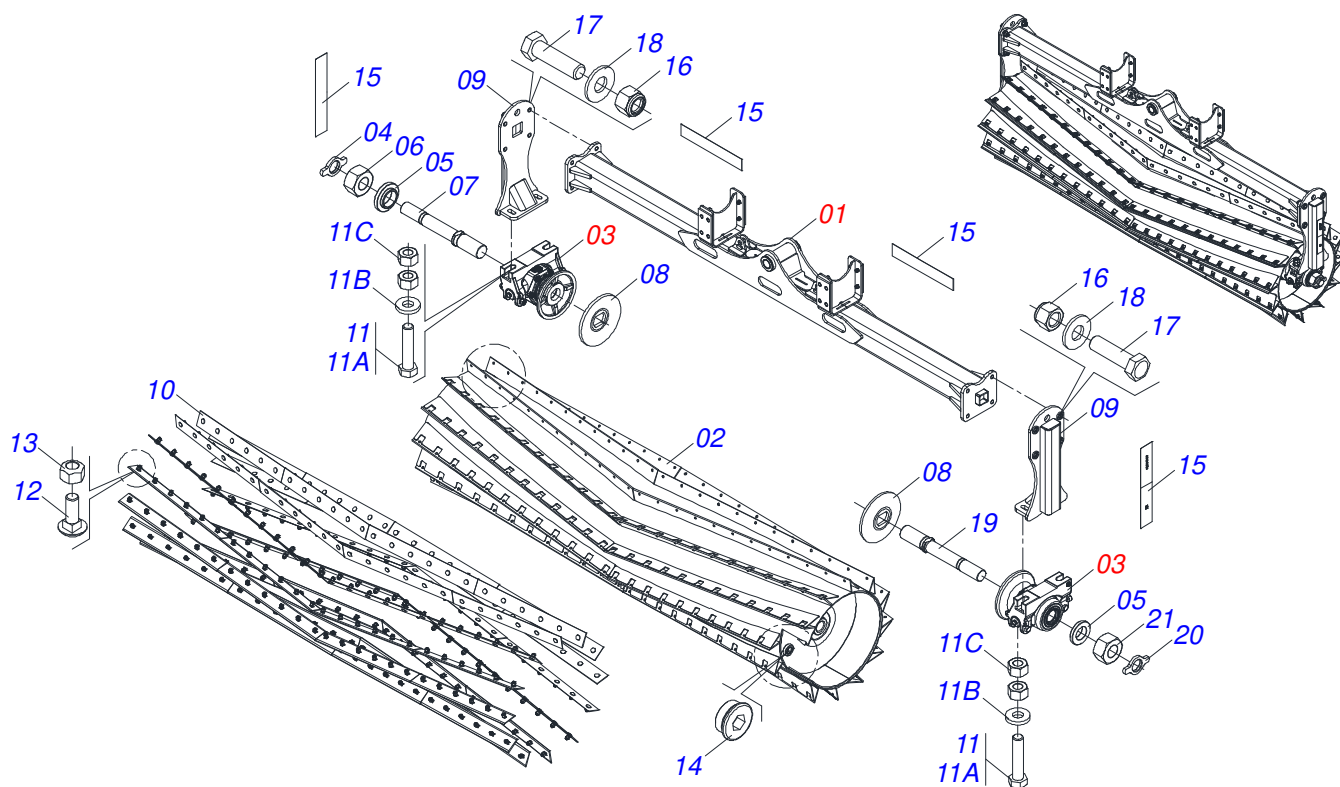
Item	Code	Description	See page	QT
18	0531045625	TOOL BOX ASSY	14	01
19	0501056467	WHEEL WITHOUT TIRE	15	02
20	0531045500	2.50" X 5.90" X 59.30" X 45.10" HYDRAULIC CYLINDER WITH RETENTION VALVE	16	01
21	0531045501	50,80 X 101,60 X 1280 X 765 HYDRAULIC CYLINDER	18	02
22	0531045498	2" X 4.50" X 24.80" X 8.50" HYDRAULIC CYLINDER	19	02
23	0521055305	HEAVY ROW JACK	20	01
24	0531040334	SAFETY TRIANGLE DECAL	21	01
25	0503010461	BOLT 1/4" UNC X 1" C S G.2 ZN		02
26	0503010143	1/4" SPRING WASHER		02
27	0503010357	8 X 20 X 1 FLAT WASHER		02
28	0531062415	HOSE SUPPORT 805		01
29	0503010523	1/4 X 2 SPLIT PIN		09
30	0503013150	1300 X 3/8" CHAIN		01
31	0521058087	AXLE 5/8 EC 72 ASSY	22	01
32	0501068706	DOUBLE CONNECTION		02
33	0503011338	BOLT 7/16" UNC X 1" CS G.5 ZN		04
34	0503010180	7/16" SPRING WASHER		07
35	0501012803	FLAT WASHER 12 X 30 X 3,00 ZN		04
36	1902010477	UPPER CLAMP BODY		05
37	0503011103	BOLT 7/16" UNC X 2.1/2" C S G.5 ZN		02
38	0501316941	KEY 2.1/8 AND 2.1/2		01
39	0501069343	WRENCH FIXER		01
40	0521011722	FLAT WASHER		01
41	0531067385	ADJUSTMENT BAR (360)		01
42	0511073769	EXTENDER 44.4 X 284		01
43	0503010002	1800 GREASE FITTING		01
44	0521012536	COUPLING SHAFT		01
45	0501017779	FLAT WASHER 32 X 60 X 4,75		09
46	0501317126	37.50 X 180 ZN JUNCTION AXLE		02
47	0501314316	FLAT WASHER 38,50 X 90 X 6,35		04
48	0501011301	1.1/2" UNC 6FPP 2.5/16" NUT		03
49	0503010010	1/4" X 2.1/2" SPLIT PIN		03
50	0521015501	COUPLING SHAFT		02
51	0521010779	31.75 X 95 COUPLING SHAFT		04
52	0561014252	3/4" UNF X 1" NIPPLE WITH REDUCTION		04
53	0503010190	2-114 N 3006-9B O'RING		08
54	0501010617	NIPPLE 3/4" NF X 3/4" NF HEX. 7/8" X 44		04
55	0541014119	37.5 X 195 COUPLING SHAFT		01
56	0581018185	1.1/4" UNF BOLT		02
57	0501011280	FLAT WASHER 32,50 X 75 X 4,75		02
58	0503010044	SELF LOCKING NUT 1.1/4 UNF G.5 ZN		02
59	0531067379	303 HOLE 283 JUNCTION AXLE		04
60	0591010852	52 X 100 X 4.75 FLAT WASHER		06
61	0503010073	3/8" X 3.1/2" SPLIT PIN		06
62	0503013935	1 UNC X 9 C S G.8 ZN BOLT		03
63	0501010690	FLAT WASHER 26 X 58 X 4,75		03
64	0503018754	NUT 1 - 8 UNC - 2B G8		03
65	0531067413	238 (HOLE 218) JUNCTION AXLE		02
66	0503011198	BOLT 3/4" UNC X 6" CS G.5		02
67	0501010104	FLAT WASHER 45 X 20 X 4		02
68	0503011075	3/4 UNC LOCK NUT		02
69	0521049934	TRACTOR HITCH	23	01
70	0531066851	JOINT SHAFT		02
71	0503031035	HITCH PIN CLIP		02



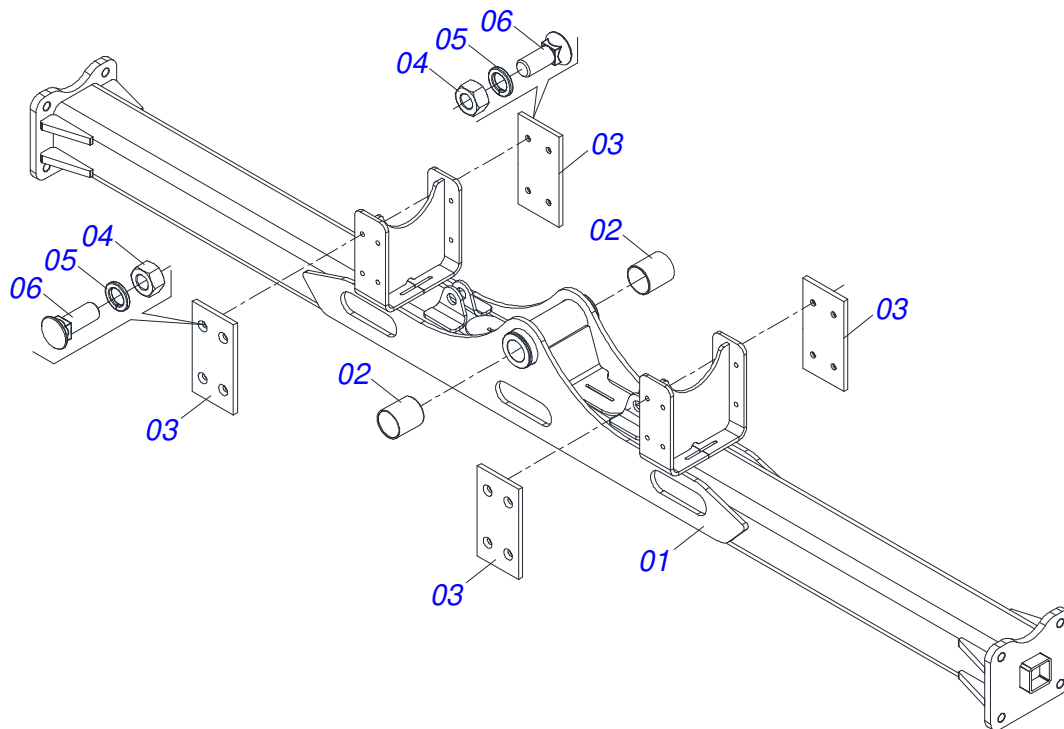
Item	Code	Description	See page	QT
01	0531067397	CENTER FRAME		01
02	0503019271	SELF LUBRICATING BUSHING		08
03	0571013284	17,50 X 90 X 4,75 FLAT WASHER		12
04	0571010265	16,50 X 40 X 3,00 ZN FLAT WASHER		04
05	0501010100	BOLT 5/8" UNC X 2 CS G.5 ZN		04
06	0581011153	FRAME BEATER		04



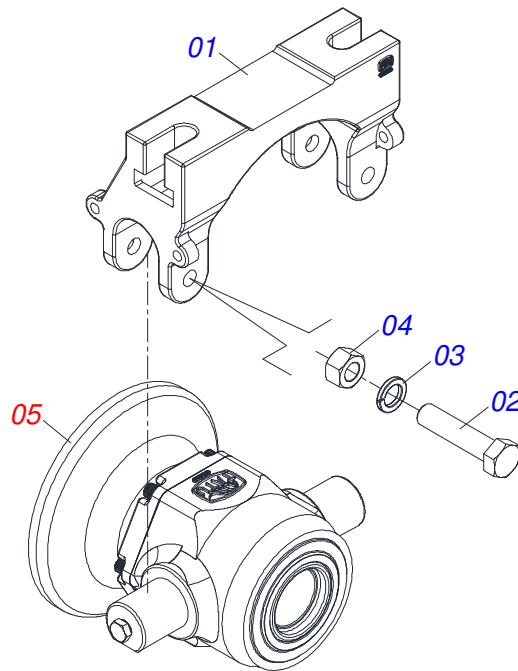
Item	Code	Description	See page	QT
01	0503019271	SELF LUBRICATING BUSHING		04
02	0531067398	DRAWBAR (5312)		01
03	0521011481	FRAME BATTERY		02
04	0501010100	BOLT 5/8" UNC X 2 CS G.5 ZN		02
05	0571010265	16,50 X 40 X 3,00 ZN FLAT WASHER		02
06	0571013284	17,50 X 90 X 4,75 FLAT WASHER		04



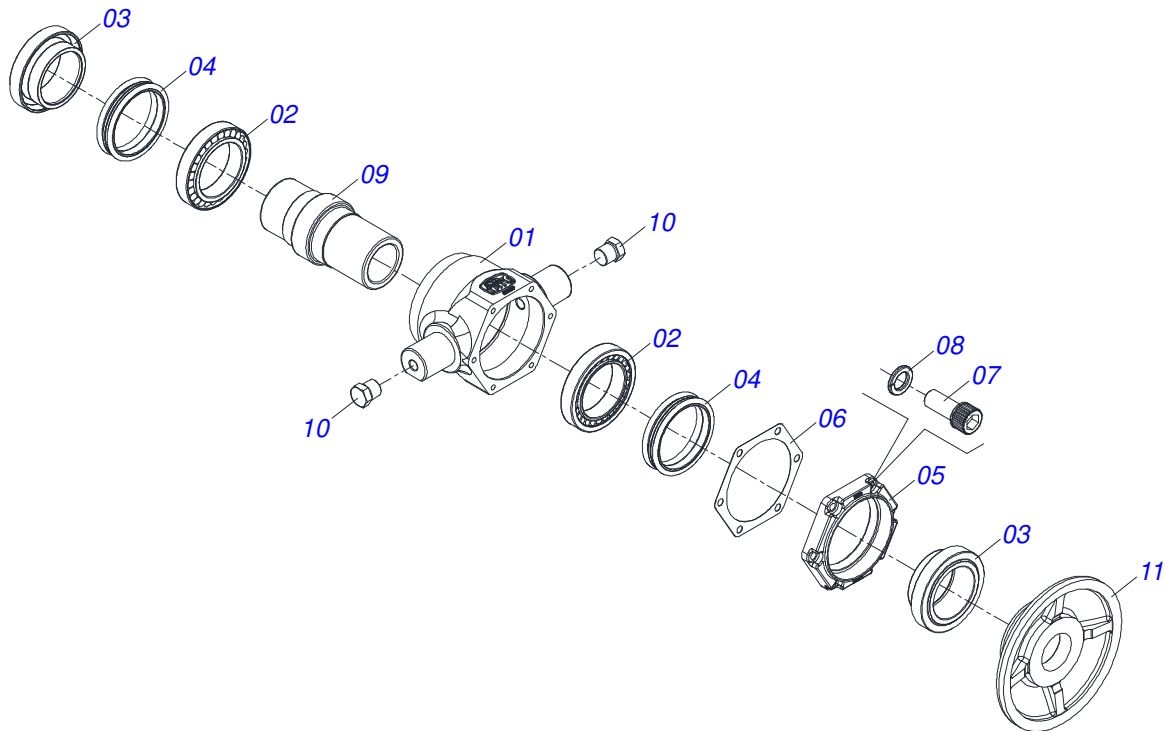
Item	Code	Description	See page	QT
01	0541052540	ROLLER FIXATION SUPPORT WITH BUSHING	5	01
02	0531067390	ROLLER 3000		01
03	0531045502	9.30" X 2.1/8" NATIONAL DMO AGRICULTURAL 6 BEARING WITH PROTECTION		02
04	0551012908	RIGHT LOCKNUT R 2-1/8"		01
05	0501316661	FLAT WASHER 55		02
06	0591016676	NUT R.2.1/8 UNS 7FPP X 53 ZN		01
07	0501316660	AXIS 2.1/8 X 470 RIGHT-HAND THREAD		01
08	0501316659	BUSHING THRUST WASHER		02
09	0531067382	SUPPORT		02
10	0501316658	760 KNIFE		48
11	0521047558	7/8" X 4" BOLT ASSY		04
11A	0503013310	7/8 UNC X 4 C S G.5 ZN BOLT		01
11B	0561013107	FLAT WASHER		01
11C	0503010417	7/8" NUT		02
12	0503014734	BOLT		288
13	0503010589	1/2" UNC SELF ADJUSTING NUT		288
14	0503063970	THREADED PLUG 1.5/16 UNF		02
15	0503013229	REFLECTIVE SIDE BAND		04
16	0503010152	3/4" SELF LOCKING NUT		08
17	0503017855	BOLT 3/4" UNF 2.3/4 CS G.5 ZN		08
18	0501010104	FLAT WASHER 45 X 20 X 4		08
19	0501318641	2.1/8 X 470 AXIS		01
20	0551012909	LEFT LOCKNUT R 2-1/8"		01
21	0501318646	R.2.1/8 UNS 7FPP X 53 SA NUT		01



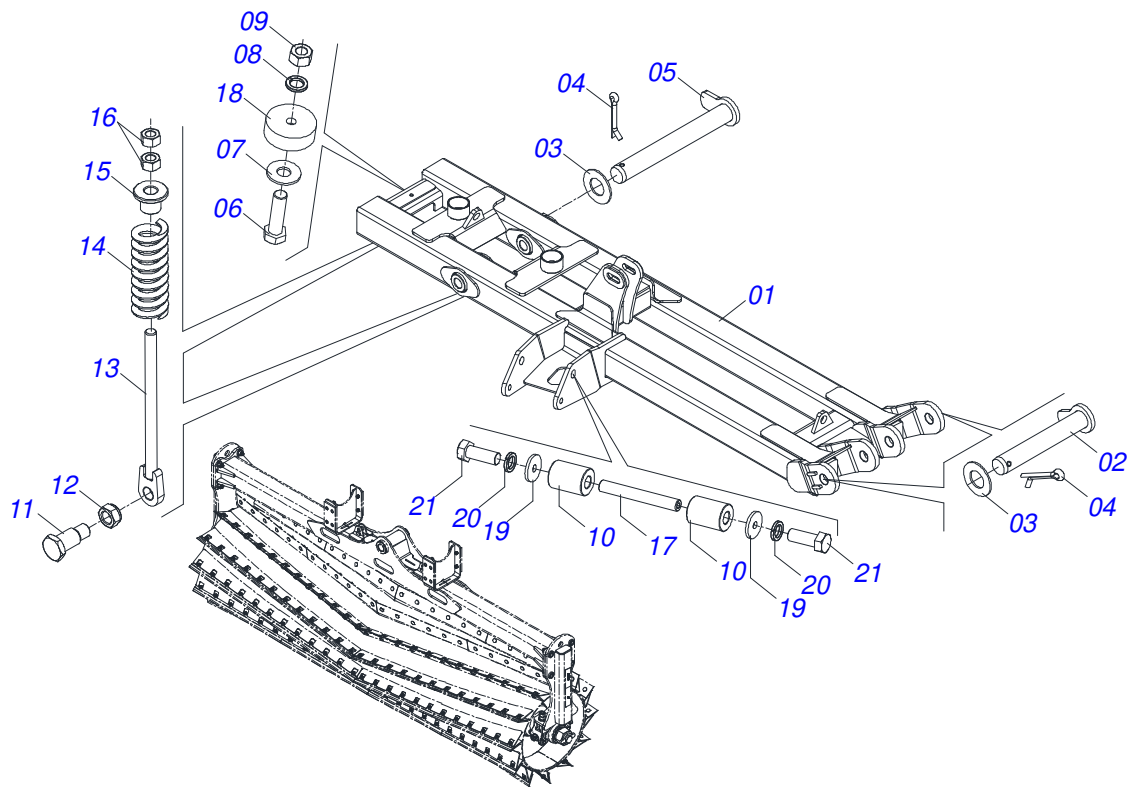
Item	Code	Description	See page	QT
01	0531067396	FIXING SUPPORT		01
02	0503019271	SELF LUBRICATING BUSHING		02
03	0501316597	190 X 100 X 10 PLATE		04
04	0503010244	7/16" NUT		16
05	0503010180	7/16" SPRING WASHER		16
06	0503011199	7/16" X 1-1/2" BOLT		16



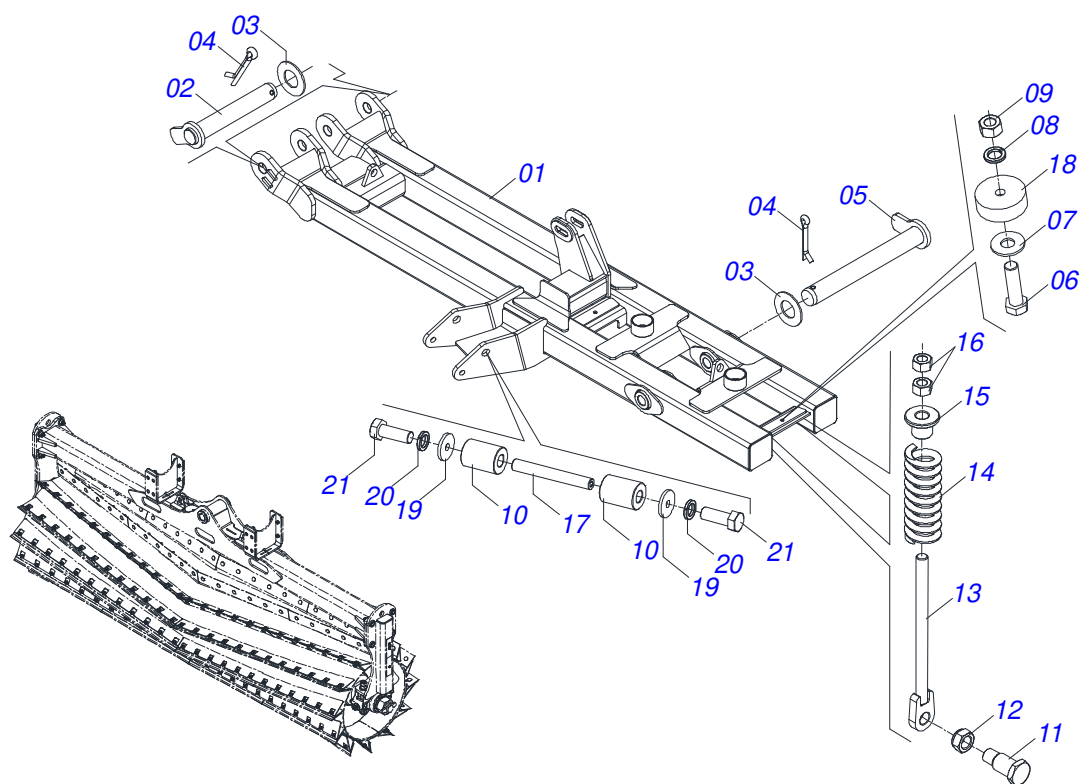
Item	Code	Description	See page	QT
01	0502012860	BEARING SUPPORT		01
02	0501011543	5/8" X 4" BOLT		02
03	0503010027	5/8 SPRING WASHER		02
04	0503010013	5/8 UNC G.5 ZN HEX NUT		02
05	0541052534	9.30" X 2.1/8" NATIONAL DMO AGRICULTURAL 7 BEARING		01



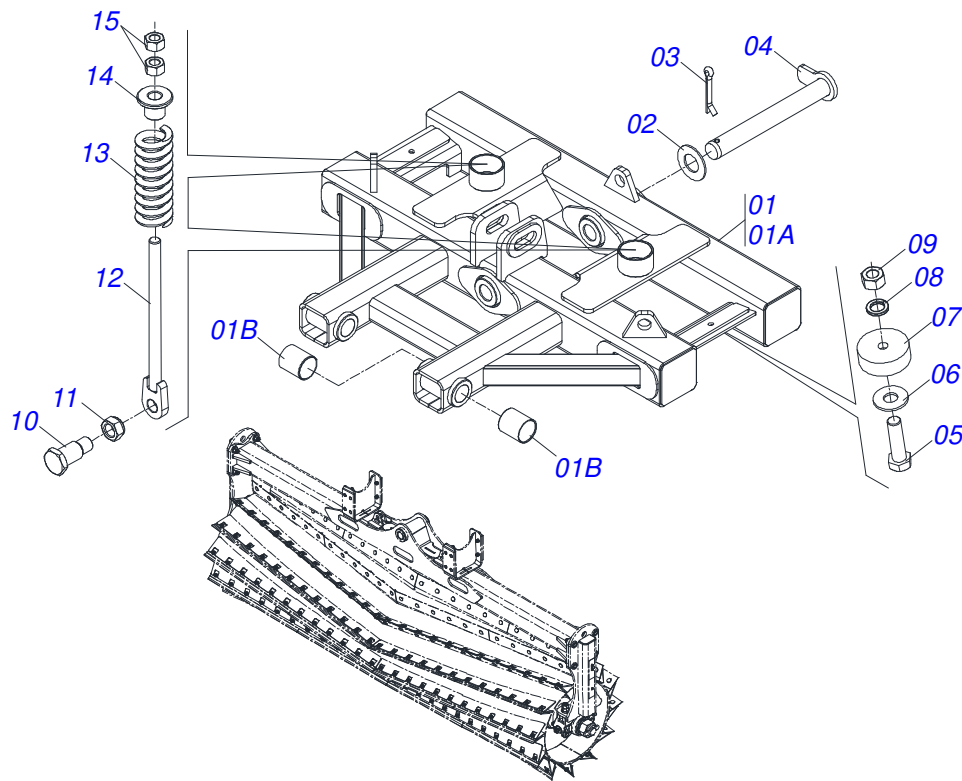
Item	Code	Description	See page	QT
01	0502012859	BEARING BOX		01
02	0503013966	ROLLER BEARING		02
03	0502040198	SEAL RETAINER		02
04	0503030028	JB-257 SEAL		02
05	0502012481	BOX COVER		01
06	0503032999	JOINT		01
07	0503010175	3/8" X 1-1/4" BOLT		06
08	0503011443	SPRING WASHER 3/8"		06
09	0501316674	(201) BEARING AXIS		01
10	0503010856	OIL PLUG R 3/8 BSPT		02
11	0581012051	EXTERNAL DISC		01



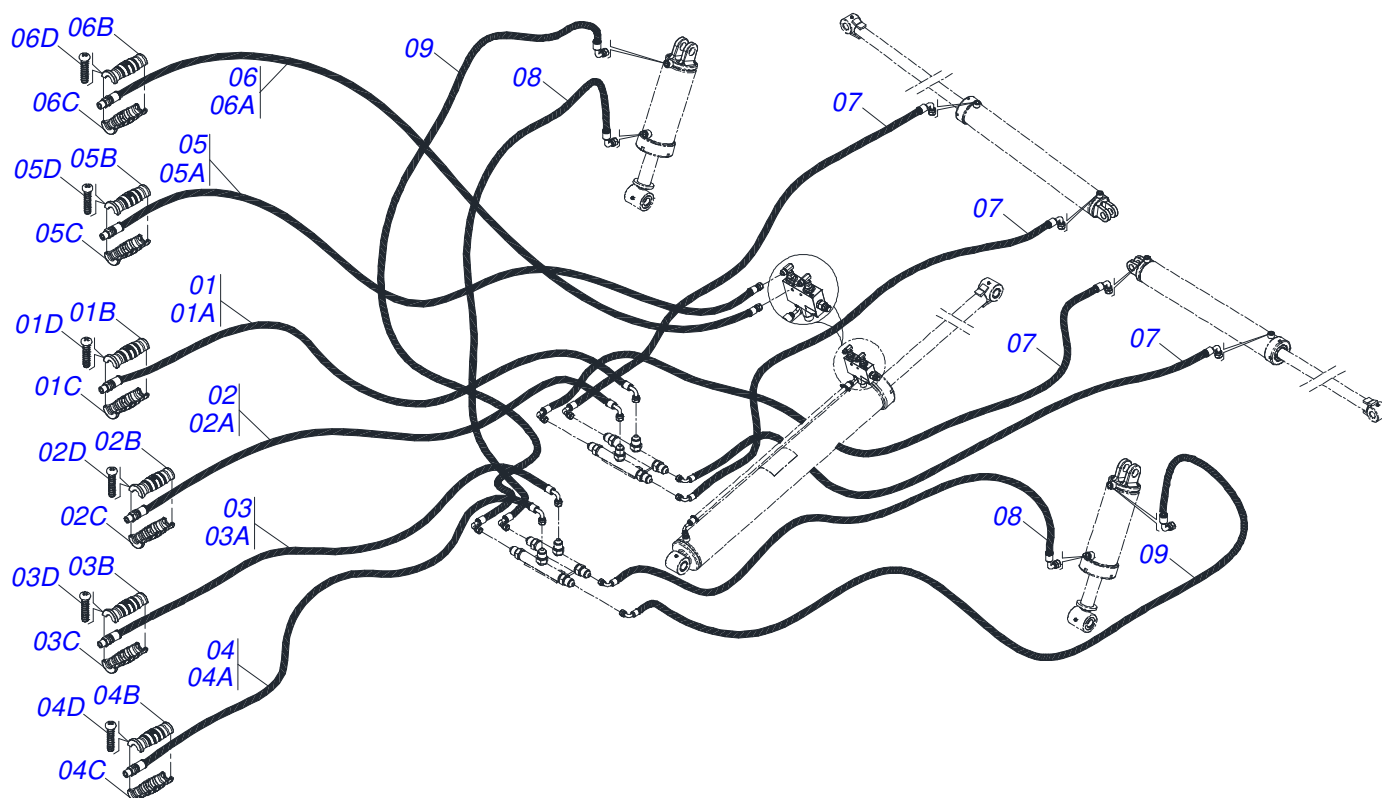
Item	Code	Description	See page	QT
01	0531067523	RIGHT SIDE FRAME		01
02	0531067392	JUNCTION AXIS 313 (HOLE 293)		02
03	0591010852	52 X 100 X 4.75 FLAT WASHER		02
04	0503010073	3/8" X 3.1/2" SPLIT PIN		02
05	0531067393	JUNCTION AXIS 643 (HOLE 623)		01
06	0503010899	5/8 UNC X 2.1/4 BOLT		02
07	0571010265	16,50 X 40 X 3,00 ZN FLAT WASHER		02
08	0503010027	5/8 SPRING WASHER		02
09	0503010013	5/8 UNC G.5 ZN HEX NUT		02
10	0591010854	SIDE FRAME SUPPORT		02
11	0501316672	SPINDLE FIXATION AXIS		02
12	0503017755	NUT		02
13	0531067391	SPINDLE ASSEMBLY (430)		02
14	0503031460	SPRING		02
15	0501316684	SPRING GUIDE (50)		02
16	0503012182	1" NUT		04
17	0591010853	38.1 X 285 FIXING SHAFT		01
18	0521011481	FRAME BATTERY		02
19	0571018839	20 X 75 X 8 FLAT WASHER		02
20	0503010023	3/4" SPRING WASHER		02
21	0501010098	BOLT 3/4" UNC X 2 C S G.5 ZN		02



Item	Code	Description	See page	QT
01	0531067522	LEFT SIDE FRAME		01
02	0531067392	JUNCTION AXIS 313 (HOLE 293)		02
03	0591010852	52 X 100 X 4.75 FLAT WASHER		02
04	0503010073	3/8" X 3.1/2" SPLIT PIN		02
05	0531067393	JUNCTION AXIS 643 (HOLE 623)		01
06	0503010899	5/8 UNC X 2.1/4 BOLT		02
07	0571010265	16,50 X 40 X 3,00 ZN FLAT WASHER		02
08	0503010027	5/8 SPRING WASHER		02
09	0503010013	5/8 UNC G.5 ZN HEX NUT		02
10	0591010854	SIDE FRAME SUPPORT		02
11	0501316672	SPINDLE FIXATION AXIS		02
12	0503017755	NUT		02
13	0531067391	SPINDLE ASSEMBLY (430)		02
14	0503031460	SPRING		02
15	0501316684	SPRING GUIDE (50)		02
16	0503012182	1" NUT		04
17	0591010853	38.1 X 285 FIXING SHAFT		01
18	0521011481	FRAME BATTERY		02
19	0571018839	20 X 75 X 8 FLAT WASHER		02
20	0503010023	3/4" SPRING WASHER		02
21	0501010098	BOLT 3/4" UNC X 2 C S G.5 ZN		02



Item	Code	Description	See page	QT
01	0541052535	REAR FRAME WITH BUSHING		01
01A	0531067394	REAR FRAME		01
01B	0503019271	SELF LUBRICATING BUSHING		04
02	0591010852	52 X 100 X 4.75 FLAT WASHER		01
03	0503010073	3/8" X 3.1/2" SPLIT PIN		01
04	0531067393	JUNCTION AXIS 643 (HOLE 623)		01
05	0503010899	5/8 UNC X 2.1/4 BOLT		02
06	0571010265	16,50 X 40 X 3,00 ZN FLAT WASHER		02
07	0521011481	FRAME BATTERY		02
08	0503010027	5/8 SPRING WASHER		02
09	0503010013	5/8 UNC G.5 ZN HEX NUT		02
10	0501316672	SPINDLE FIXATION AXIS		02
11	0503017755	NUT		02
12	0531067391	SPINDLE ASSEMBLY (430)		02
13	0503031460	SPRING		02
14	0501316684	SPRING GUIDE (50)		02
15	0503012182	1" NUT		04



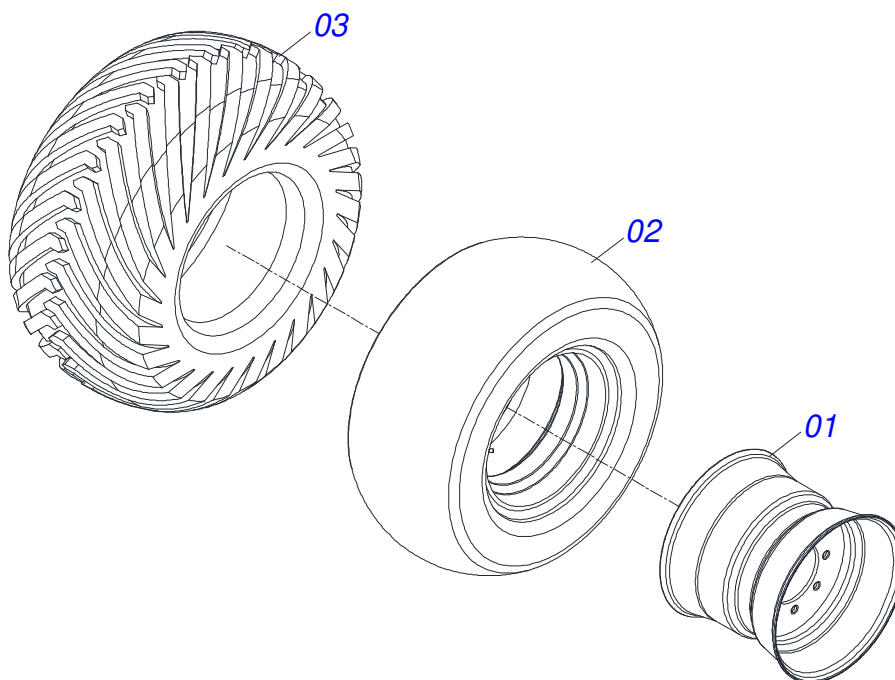
Item	Code	Description	See page	QT
01	0541053412	3/8" X 181.10" TC-TM BLUE/BROWN HOSE		01
01A	0501080845	3/8" X 181.10" TC-TM HOSE		01
01B	0503034490	HYDRAULIC HOSE GRIP (BROWN)		01
01C	0503034494	HYDRAULIC HOSE GRIP (BLUE)		01
01D	0503018952	PH 2,5 X 10 ZB PLASTIC BOLT		06
02	0541053413	3/8" X 181.10" TC-TM RED/BROWN HOSE		01
02A	0501080845	3/8" X 181.10" TC-TM HOSE		01
02B	0503034495	HYDRAULIC HOSE GRIP (RED)		01
02C	0503034490	HYDRAULIC HOSE GRIP (BROWN)		01
02D	0503018952	PH 2,5 X 10 ZB PLASTIC BOLT		06
03	0521051510	3/8" X 181.10" TC-TM BLACK/BLUE HOSE		01
03A	0501080845	3/8" X 181.10" TC-TM HOSE		01
03B	0503034492	HYDRAULIC HOSE GRIP (BLACK)		01
03C	0503034494	HYDRAULIC HOSE GRIP (BLUE)		01
03D	0503018952	PH 2,5 X 10 ZB PLASTIC BOLT		06
04	0541053414	3/8" X 181.10" TC-TM BLACK/RED HOSE		01
04A	0501080845	3/8" X 181.10" TC-TM HOSE		01
04B	0503034492	HYDRAULIC HOSE GRIP (BLACK)		01
04C	0503034495	HYDRAULIC HOSE GRIP (RED)		01
04D	0503018952	PH 2,5 X 10 ZB PLASTIC BOLT		06
05	0541053410	3/8" X 263.80" TR-TM RED/GREEN HOSE		01
05A	0501082198	3/8" X 263.80" TR-TM HOSE		01
05B	0503034495	HYDRAULIC HOSE GRIP (RED)		01
05C	0503034497	HYDRAULIC HOSE GRIP (GREEN)		01
05D	0503018952	PH 2,5 X 10 ZB PLASTIC BOLT		06
06	0541053411	3/8" X 263.80" TR-TM BLUE/GREEN HOSE		01
06A	0501082198	3/8" X 263.80" TR-TM HOSE		01
06B	0503034494	HYDRAULIC HOSE GRIP (BLUE)		01
06C	0503034497	HYDRAULIC HOSE GRIP (GREEN)		01
06D	0503018952	PH 2,5 X 10 ZB PLASTIC BOLT		03
07	0501080909	3/8" X 181.10" TC-TC HOSE		04
08	0501080389	3/8" X 126" TC-TC HOSE		02



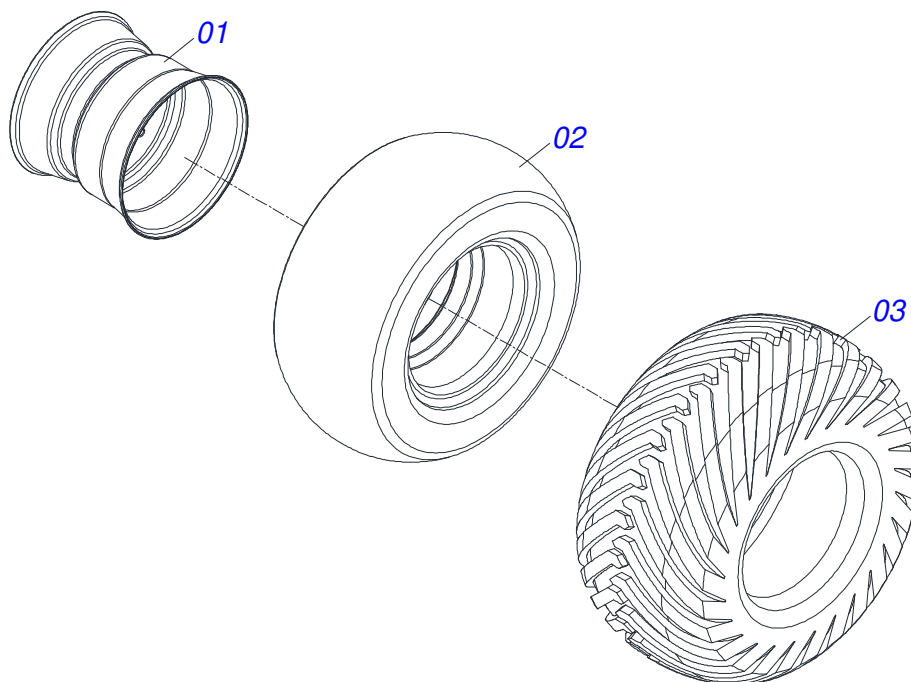
CICLUS 9000
HOSE SET

Page 11
0541053257

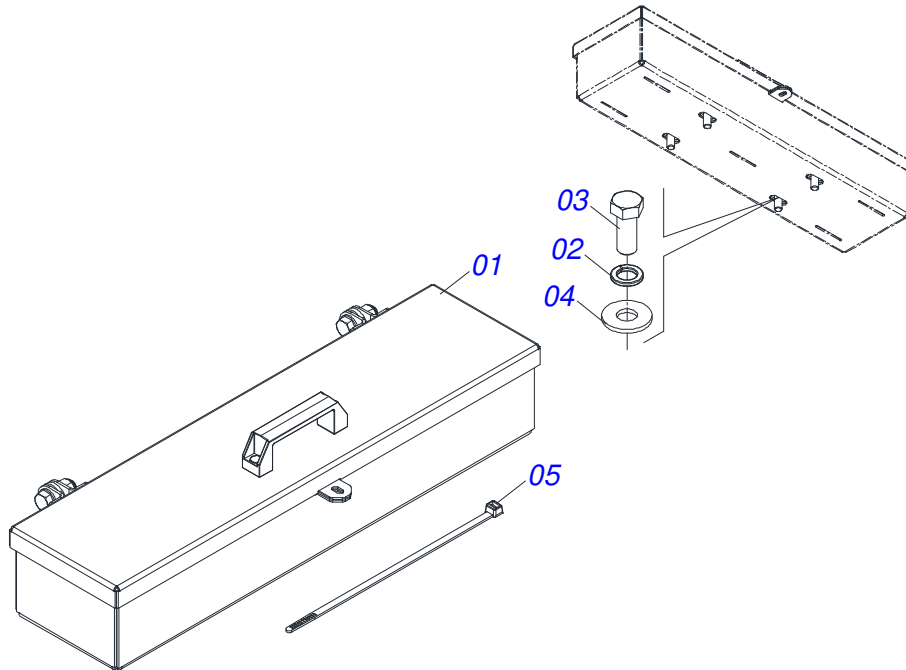
Item	Code	Description	See page	QT
09	0501080699	3/8" X 137.80" TC-TC HOSE		02



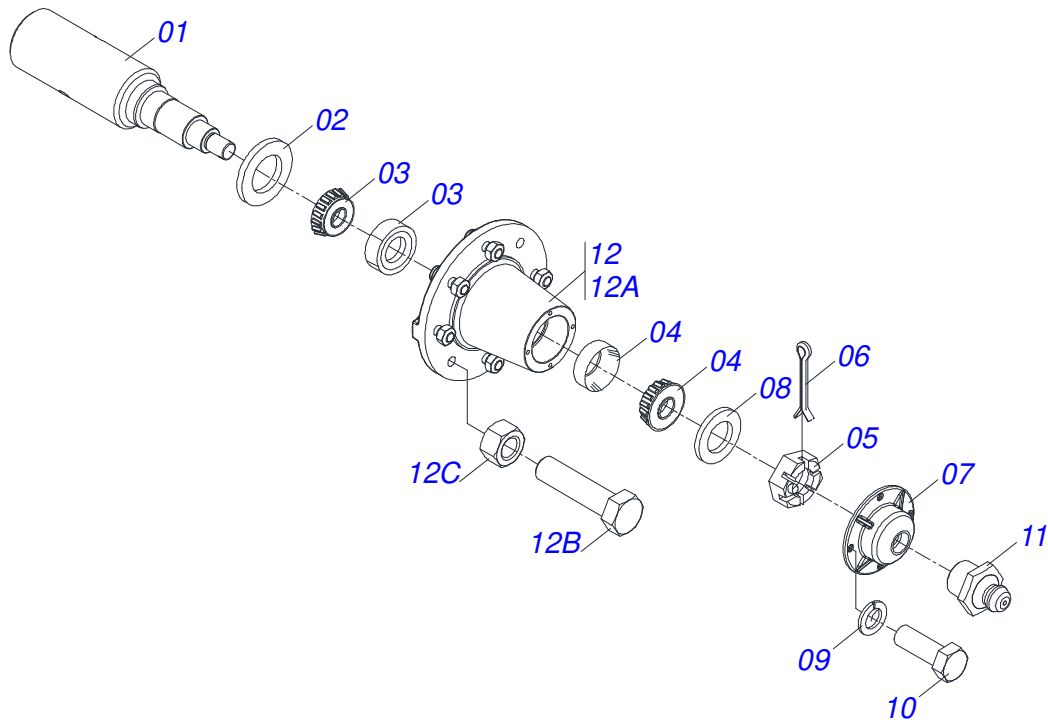
Item	Code	Description	See page	QT
01	0501069483	WHEEL 13 X 15,5 - 21FT		01
02	0503012112	400/60 - 15.5 TR 15 INNER TIRE		01
03	0503017354	TYRE		01



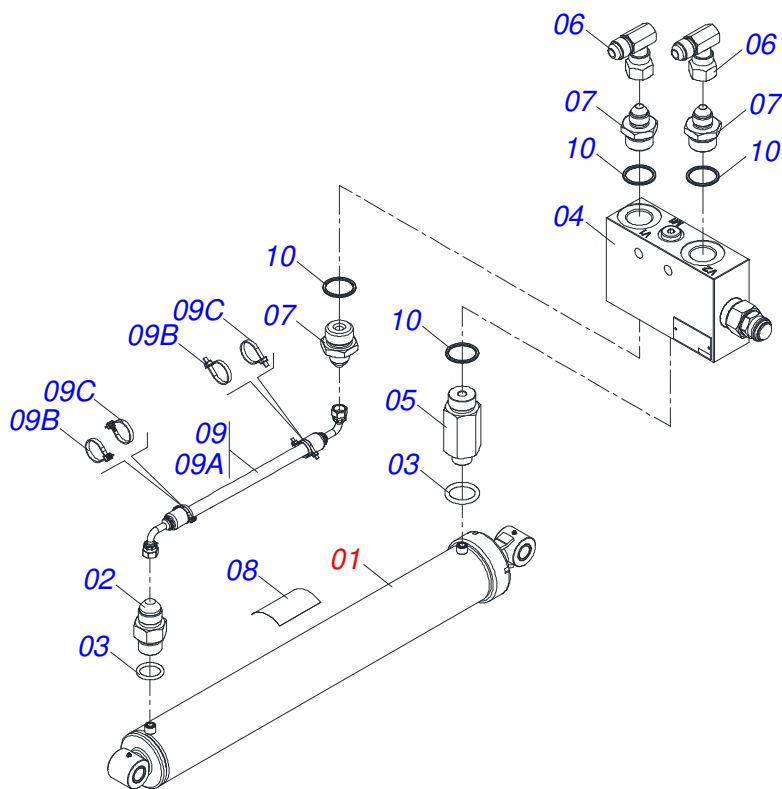
Item	Code	Description	See page	QT
01	0501069483	WHEEL 13 X 15,5 - 21FT		01
02	0503012112	400/60 - 15.5 TR 15 INNER TIRE		01
03	0503017354	TYRE		01



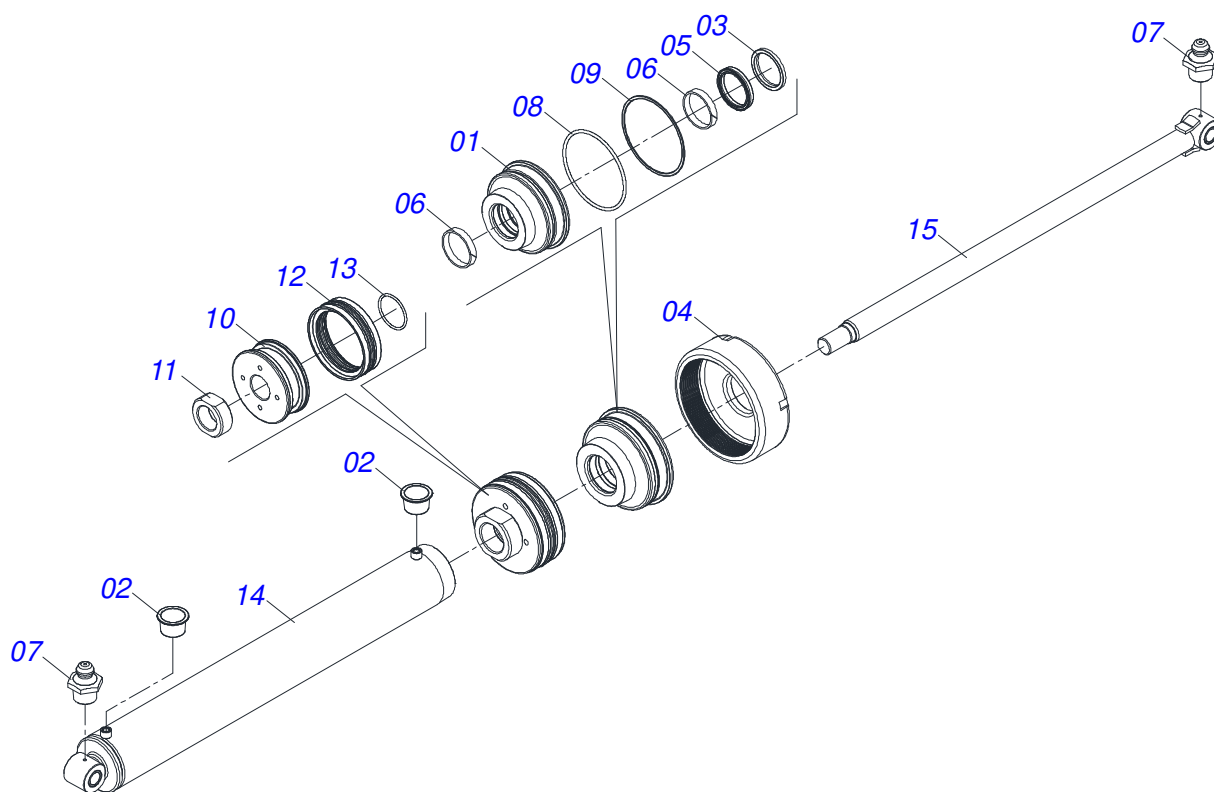
Item	Code	Description	See page	QT
01	0531054500	TOOL BOX		01
02	0503010019	1/2" SPRING WASHER		04
03	0503014007	BOLT 1/2 UNC X 1.1/4 C S G.5 ZN		04
04	0511017302	FLAT WASHER 13,50 X 32,50 X 3,0 ZN		04
05	0503013100	NYLON CLAMP 4,8 X 1,3 X 200 MM		01



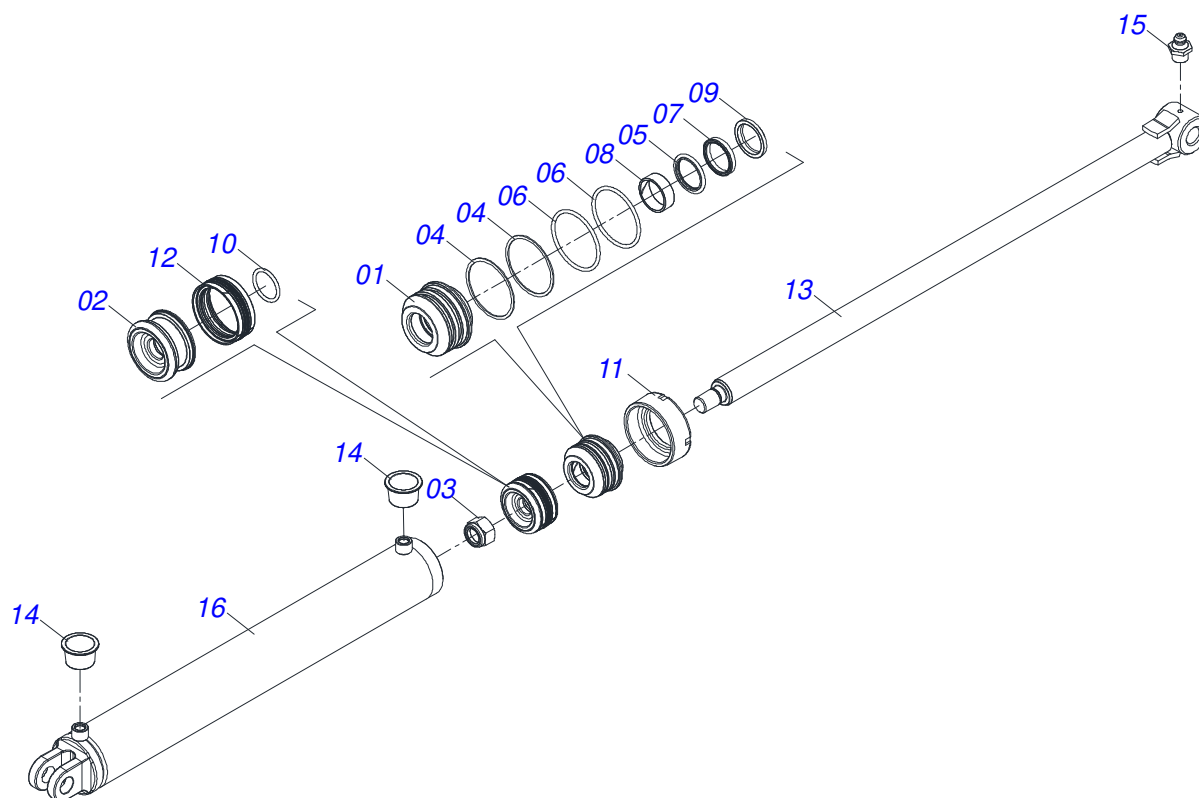
Item	Code	Description	See page	QT
01	0541016566	SPINDLE 3.1/2 X 375		01
02	0503013314	RETAINER 5166-GB 63,5 X 110 X 13 ARCA		01
03	0503015290	ROLLER BEARING 3780/3720		01
04	0503014821	ROLLER BEARING 2780/2720		01
05	0503830009	CASTLE NUT R 1 UNS 14FPP X 22 SA		01
06	0503010018	5/32" X 1-1/2" SPLIT PIN		01
07	0502020591	PROTECTION LID		01
08	0511812492	FLAT WASHER 28 X 46 X 6,30 AS		01
09	0503011444	SPRING WASHER 5/16"		04
10	0503810358	BOLT 5/16 UNC X 7/8" C S G.5 SA		04
11	0503010002	1800 GREASE FITTING		01
12	0501110738	CARRYING WHEEL HUB 21FT		01
12A	0502012260	TRANSPORT CARRYING-WHEEL HUB		01
12B	0501010186	WHEEL BOLT 5/8"UNF X 2.1/8CR		08
12C	0503010064	5/8 UNF CONIC NUT		08



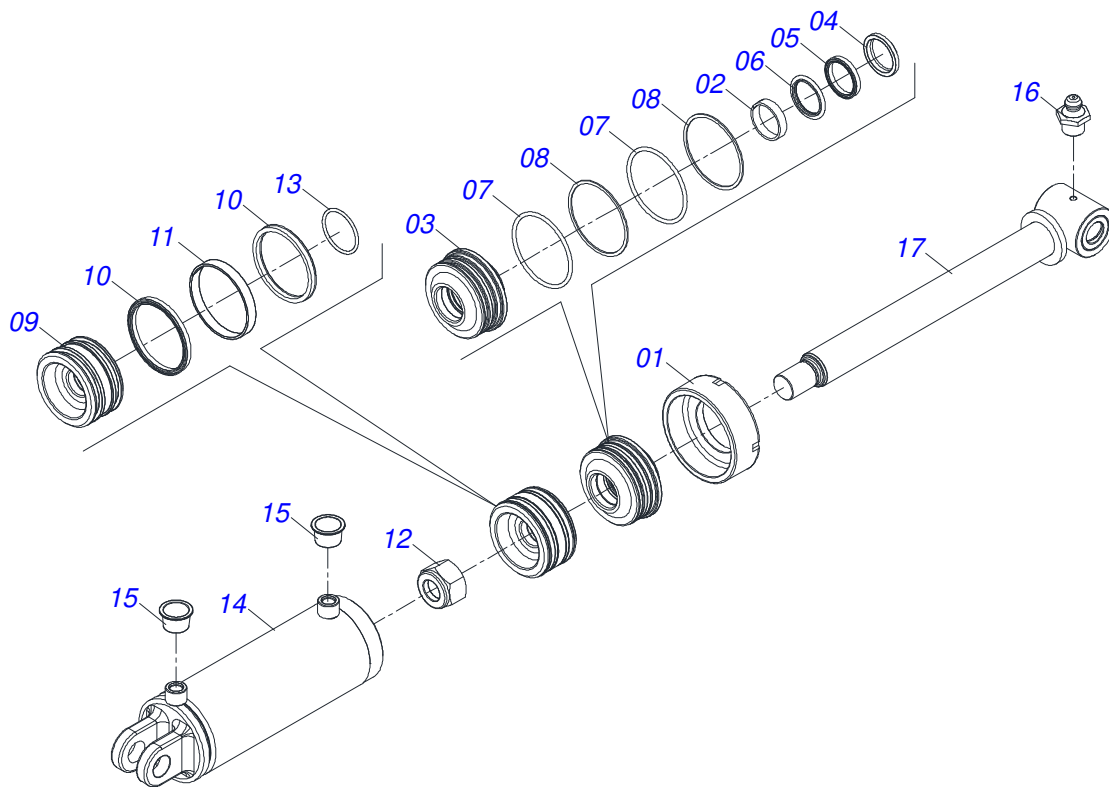
Item	Code	Description	See page	QT
01	0531045499	2.50" X 5.90" X 59.30" X 45.10" HYDRAULIC CYLINDER	17	01
02	0501010617	NIPPLE 3/4" NF X 3/4" NF HEX. 7/8" X 44		01
03	0503010190	2-114 N 3006-9B O'RING		02
04	0513011589	COUNTERBALANCE VALVE		01
05	0501314082	NIPPLE FITTING 3/4 BSP 14FPP X 3/4 UNF 16FPP X 78		01
06	0503018034	HYDRAULIC FITTING JIC 37 X R.3/4 UNF		02
07	0501219897	NIPPLE 3/4 BSP 14FPP X 3/4 UNF 16FPP X 45		03
08	0503035216	CAUTION HYDRAULIC CONTROL HAZARD DECAL		01
09	0541052532	HOSE 3/8 X 1450 TC-TC WITH RED/GREEN CLAMP		01
09A	0501081974	3/8 X 1450 TC-TC 180G HOSE		01
09B	0503018810	NYLON CLAMP 4,8 X 200 MM (RED)		02
09C	0513011950	NYLON CLAMP 4,80 X 1,30 X 200 MM R22 (GREEN)		02
10	0503036553	SEALING WASHER JC-3/4-BSP 74152900		04



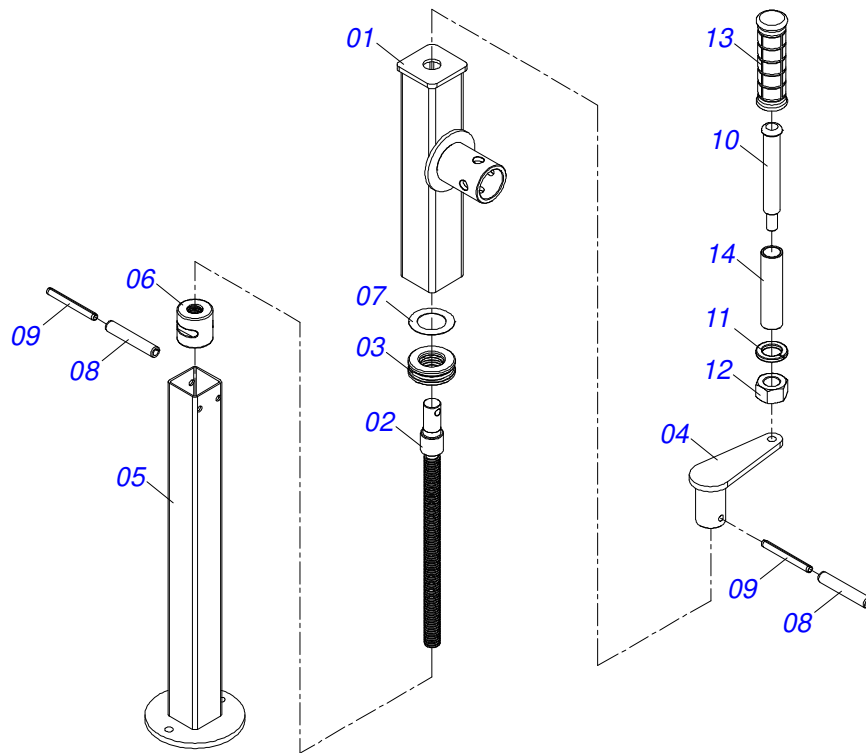
Item	Code	Description	See page	QT
01	0581018237	RING SUPPORT 63.50 X 150 X 80		01
02	0503030384	PLUG N-001		02
03	0503010287	D-2500 SCRAPER RING		01
04	0541010615	MOVABLE COVER		01
05	0503014960	GASKET		01
06	0503010971	W2-2750-500 PK RING G.I		02
07	0503010002	1800 GREASE FITTING		02
08	0503010704	2-357 N 3006-9B O'RING		01
09	0503019286	BACK-UP RING 8-357		01
10	0581018236	PISTON 150 X 57		01
11	0581018235	10 X 30 NUT		01
12	0503015912	SELEMASTER SEALING		01
13	0503019098	O' RING 2-227 N 3006-90B		01
14	0531067749	CYLINDER BARREL 150 X 1305		01
15	0531067376	EXTENDER 63.50 X 1446		01



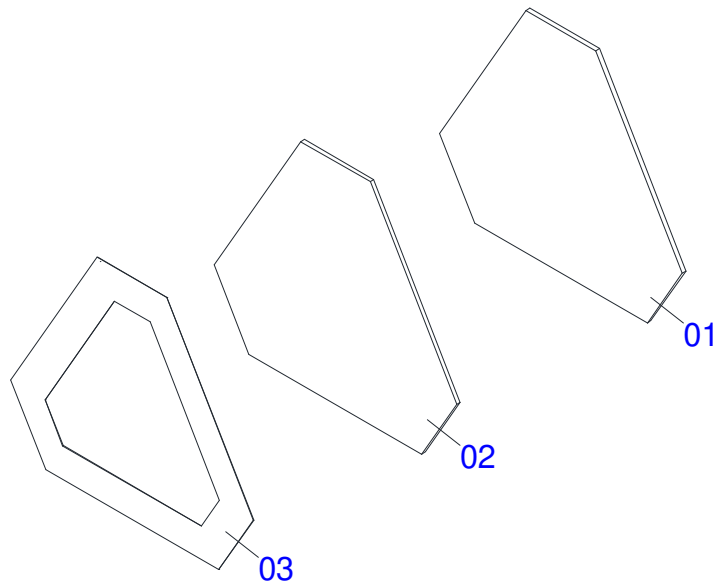
Item	Code	Description	See page	QT
01	0502012821	2" X 4" RING SUPPORT		01
02	0502012820	2" X 4" PISTON		01
03	0503010817	1.1/4" SELF LOCKING NUT		01
04	0503011061	8-342 BACK-UP RING		02
05	0503018024	RING BS OD050805200171D-BR		01
06	0503010338	2-342 N 3006-9B O'RING		02
07	0503018026	GASKET 1870-2000-375 B POLYMAX		01
08	0503018025	RING GUIDE W2-2250-750		01
09	0503010039	D-2000 SCRAPER RING		01
10	0503018029	O'RING 2-217 N 3006 90B		01
11	0502012822	END CAP 4"		01
12	0503015633	SELEMASTER SEALING		01
13	0531062988	PISTON ROD		01
14	0503030384	PLUG N-001		02
15	0503010002	1800 GREASE FITTING		01
16	0531067377	CYLINDER BARREL 101,60 X 941		01



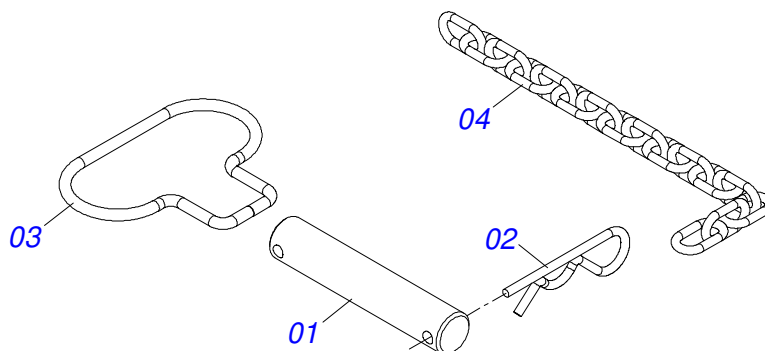
Item	Code	Description	See page	QT
01	0502011222	END CAP 4 . 1/2"		01
02	0503010952	W2-2250-500 RING		01
03	0581010659	2" X 4" RING SUPPOT		01
04	0503010039	D-2000 SCRAPER RING		01
05	0503018026	GASKET 1870-2000-375 B POLYMAX		01
06	0503018024	RING BS OD050805200171D-BR		01
07	0503011892	O' RING, 2-346 N 3006-9B		02
08	0503011893	BACK-UP RING, 8-346		02
09	0581010658	PISTON 50,80 X 114,30		01
10	0503018164	GASKET 2500-4000-375 B (1150 AGEL)		02
11	0503018165	GUIDE RING W2-4500-590		01
12	0503010290	SELF ADJUSTING 1.1/2" UNF NUT		01
13	0503010141	2-226 N 3006-9B O'RING		01
14	0531067374	CYLINDER BARREL 114,3 X 404		01
15	0503030384	PLUG N-001		02
16	0503010002	1800 GREASE FITTING		01
17	0531067375	EXTENDER 50,80 X 566		01



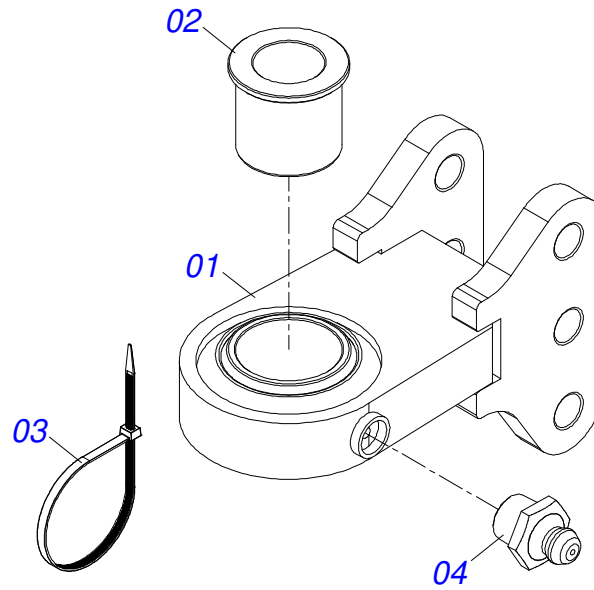
Item	Code	Description	See page	QT
01	0521069700	JACK EXTERNAL BODY		01
02	0521067900	JACK SPINDLE		01
03	0503013092	51305 BEARING		01
04	0521069702	HANDLE		01
05	0521069701	JACK INTERNAL BODY		01
06	0502012723	JACK SHAFT BUSHING		01
07	0521015818	FLAT WASHER		01
08	0503010361	SPRING PIN		03
09	0503010756	0.2" X 2.4" SPRING PIN		03
10	0581014604	ARTICULATION SHAFT		01
11	0503010019	1/2" SPRING WASHER		01
12	0503010060	1/2 UNC G.5 ZN HEX NUT		01
13	0503037382	25 X 120 PVC HANDLE		01
14	0581014603	TUBE 19,5 X 25 X 110		01



Item	Code	Description	See page	QT
01	0531062096	SIGNALING SUPPORT		01
02	0531060087	SIGNALING SUPPORT		01
03	0503032128	SAFETY TRIANGLE DECAL		01



Item	Code	Description	See page	QT
01	0591014369	5/8 X 82 AXLE		01
02	0503030168	HITCH PIN CLIP		01
03	0503034794	HANDLE PIN HITCH 4MM		01
04	0503034756	3,00 X 16 CHAIN		01



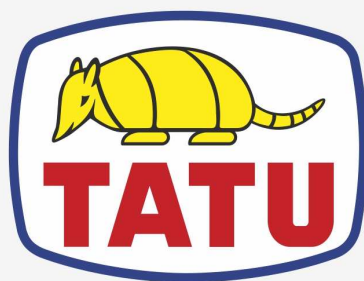
Item	Code	Description	See page	QT
01	0531060712	TRACTOR HITCH		01
02	0591013086	SLEEVE 52,8 X 78 X 76 (PIN 2")		01
03	0503018829	NYLON CLAMP 7,8 X 1,8 X 390 MM		01
04	0503010002	1800 GREASE FITTING		01



ANNOTATION

Lined writing area with horizontal lines.





MARCHESAN

Technical Publications | Elaboration and Revision

ALESSANDRA PATRICIA KAWAHARA CARRILI

www.marchesan.com.br

