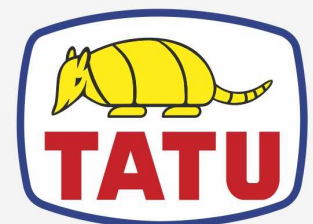


ROTARY CUTTERS

RC2E 2300/2600 R
RC2E 2300/2600 R

Code: 0501093818
Series: S-0923
Revision: 00
Revision Date: FEBRUARY/2024

PARTS CATALOGUE



MARCHESAN



PRODUCTS

Code	Working Width	Description
0104120099		RC2 E 2300 R S-0923
0104120100		RC2 E 2600 R S-0923

ATTENTION: IMPORTANT

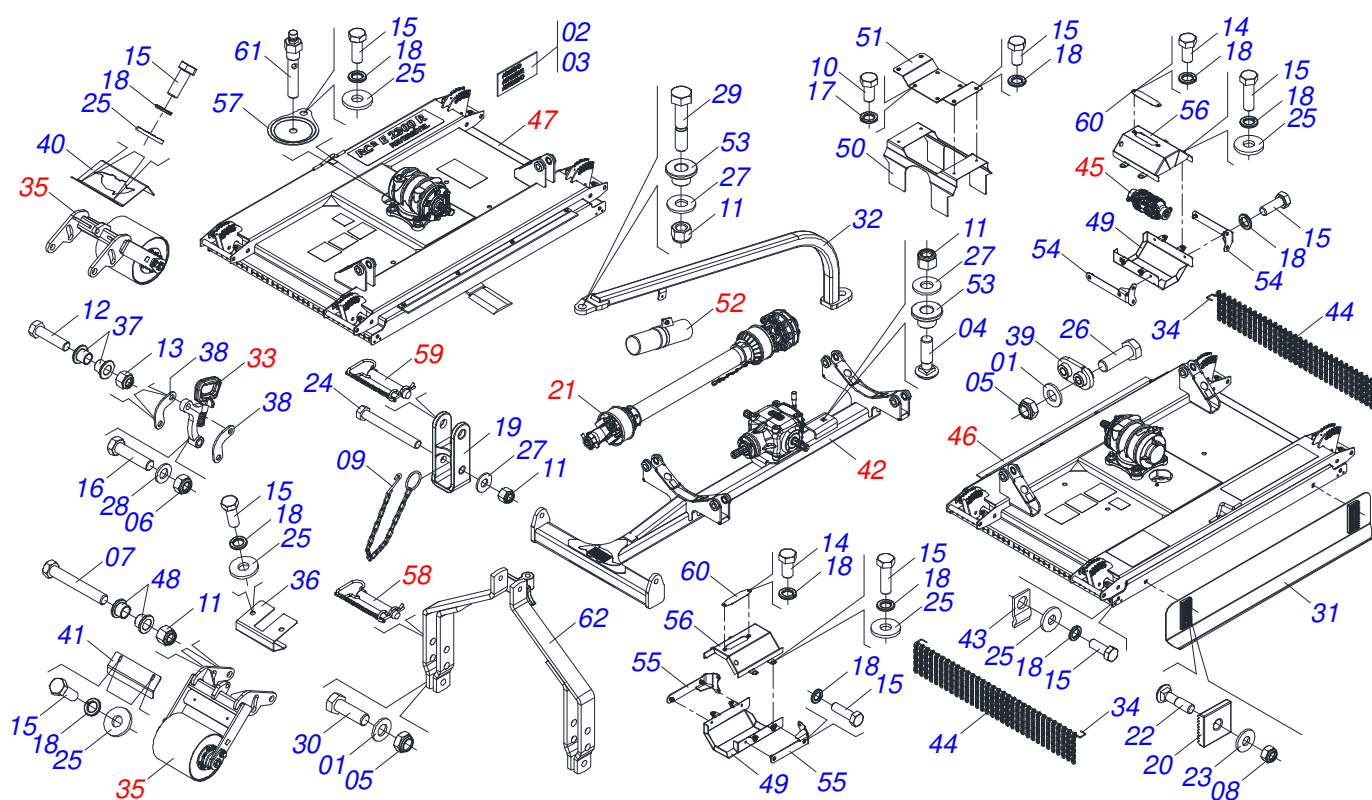
Marchesan S.A. reserves the right to improve and/or modify the technical features of its products, without obligation to do the same with those products already sold and without prior knowledge of the dealer or the customer. The photos are only illustrative.



MARCHESAN

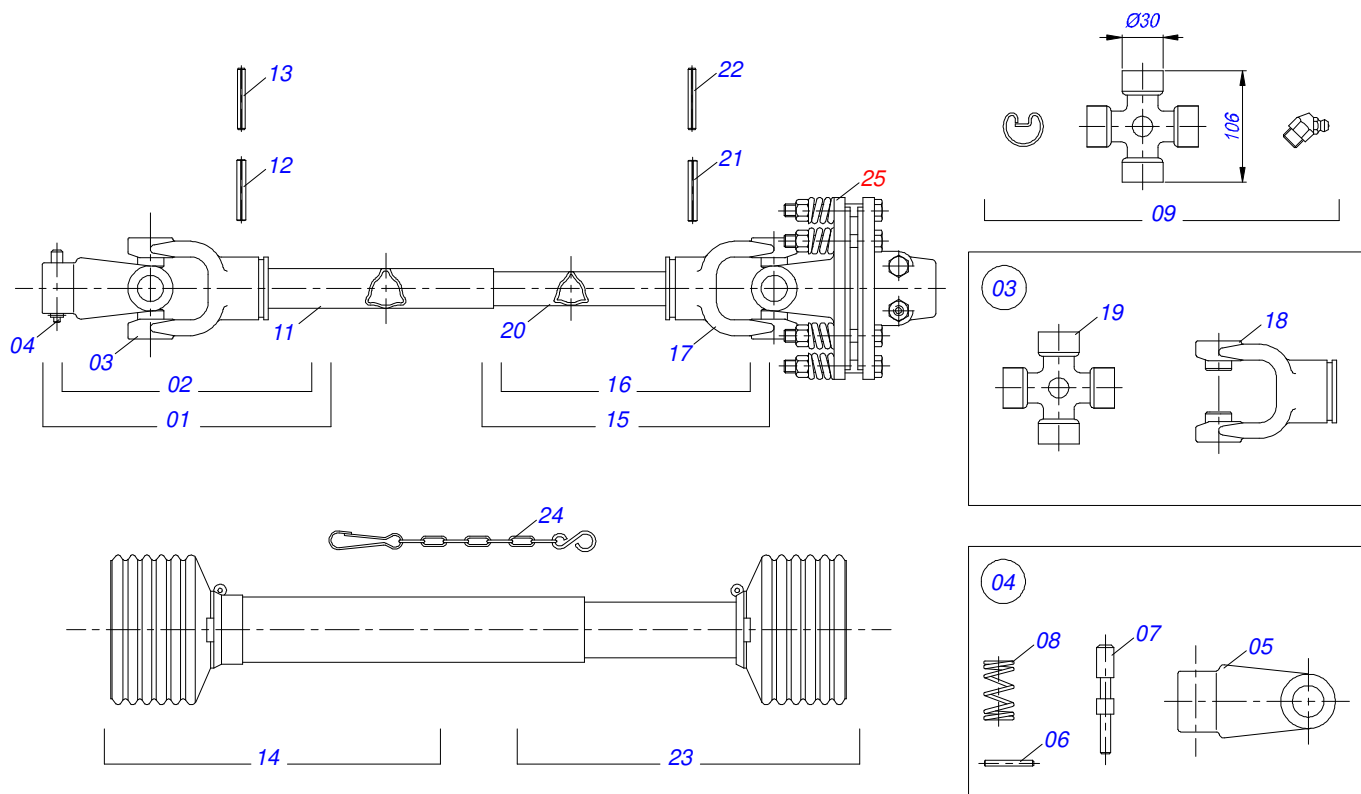
INDEX

0531045474	FRAME ASSY - 2300	1
0501045426	DRIVE SHAFT	2
0501049150	90 KGM FRICTION	3
0541052669	HEIGHT CONTROL REGULATOR	4
0531045471	ROLLER ASSY	5
0511051546	RIGHT DEPTH CONTROL HUB	6
0511051583	SEMI-ASSEMBLED DEPTH WHEEL HUB	7
0541052324	CENTRAL FRAME ASSY	8
0541052334	DOUBLE JOINT ASSY	9
0541052249	LEFT SIDE SEMI MOUNTED FRAME	10
0541052323	RIGHT SIDE SEMI MOUNTED FRAME	11
0541051535	340 SUPPORT ASSY	12
0531053079	MANUAL CANISTER ASSY	13
0521054328	AXLE 27,80 X EC 130 ASSY	14
0521054135	AXLE 25,00 X EC 130 ASSY	15
0531045492	FRAME ASSY - 2600	16
0541052423	DOUBLE JOINT ELASTIC COUPLING	17
0531058690	ELASTIC COUPLING 1.3/8 AXLE	18
0541052422	LEFT SIDE SEMI MOUNTED FRAME	19
0541052421	RIGHT SIDE SEMI MOUNTED FRAME	20
0541051275	340 SUPPORT ASSY	21

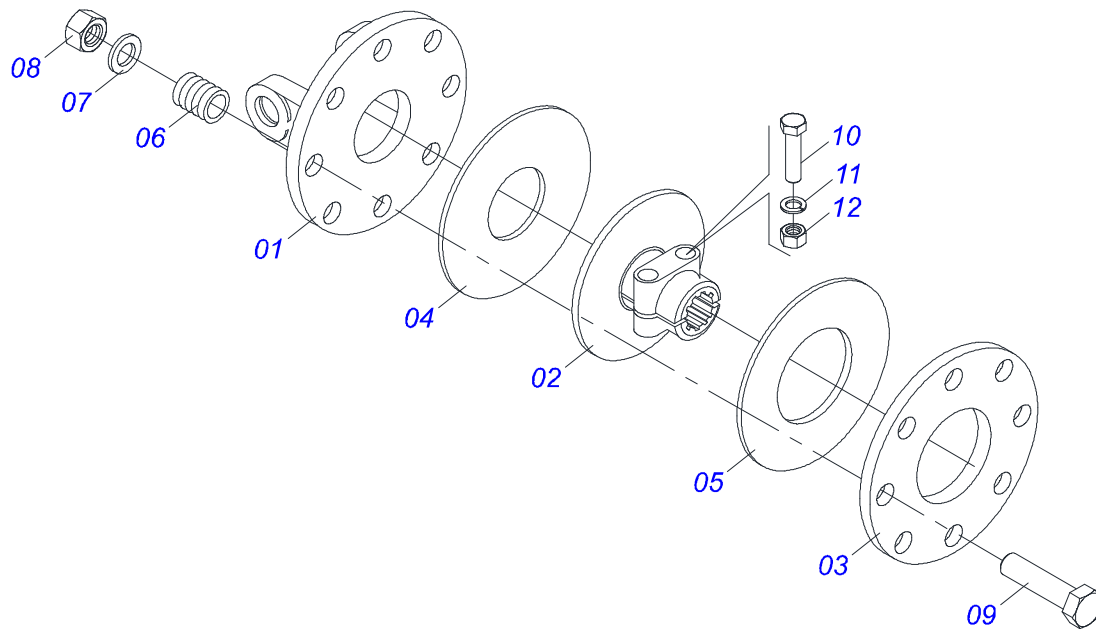


Item	Code	Description	See page	QT
01	0511015994	FLAT WASHER		10
02	0503034247	LUBRICATION POINT DECAL		03
03	0503031087	AUTO CONTROL APPROVED DECAL		01
04	0503014249	3/4" X 2-1/2" BOLT		01
05	0503014182	SELF-ADJUSTING NUT		10
06	0503013389	5/8" SELF LOCKING NUT		08
07	0503012951	3/4" X 10-1/2" BOLT		16
08	0503012412	5/8" UNC SELF LOCKING NUT		04
09	0503011981	17.7" CHAIN WITH HOOK/LINK		01
10	0503011167	M16 X 2 X 30 BOLT		04
11	0503011075	3/4 UNC LOCK NUT		19
12	0503010740	BOLT 1/2 UNC X 2 CS G.5 ZN		16
13	0503010589	1/2" UNC SELF ADJUSTING NUT		16
14	0503010256	3/8" X 3/4" BOLT		06
15	0503010237	3/8" X 1" BOLT		70
16	0503010233	5/8" X 2-1/2" BOLT		08
17	0503010027	5/8 SPRING WASHER		04
18	0503010025	3/8 SPRING WASHER		76
19	0502040922	DRAWBAR SUPPLEMENT		01
20	0502010083	SQUARE WASHER		04
21	0501045426	DRIVE SHAFT	2	01
22	0501014177	5/8" X 2-1/2" BOLT		04
23	0501012140	FLAT WASHER 16,50 X 40 X 4,00 ZN		04
24	0501011545	3/4" X 6-1/2" BOLT		01
25	0501010984	10,50 X 27 X 3,00 FLAT WASHER		54
26	0501010392	1" X 5" BOLT		08
27	0501010322	20,50 X 46 X 4,00 ZN FLAT WASHER		03
28	0501010301	FLAT WASHER 16 X 29,50 X 3,00		08
29	0501010216	3/4 UNC X 4.1/2 C S G.5 ZN BOLT		01
30	0501010171	BOLT 1 UNC X 3.1/2 C S G.5		02
31	0531067758	SIDE PROTECTION		02
32	0531067606	SIDE SUPPORT		01

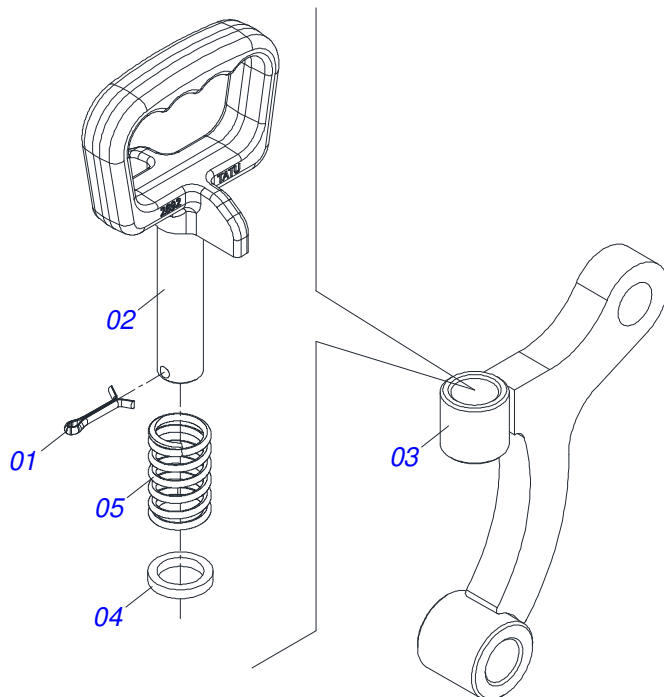
Item	Code	Description	See page	QT
33	0541052669	HEIGHT CONTROL REGULATOR	4	08
34	0501318495	3/16 STEEL CABLE		04
35	0531045471	ROLLER ASSY	5	08
36	0501318354	ROLLER SUPPORT LID		08
37	0501318353	SPACER SLEEVE		32
38	0501318373	DEPTH CONTROL JOINT SUPPORT		16
39	0501111261	FRAME JOINT WITH SLEEVE		04
40	0501318357	REAR ROLLER CLEANER		04
41	0501318358	FRONT ROLLER CLEANER		04
42	0541052324	CENTRAL FRAME ASSY	8	01
43	0501315042	1/4 STEEL CABLE CLAMP		08
44	0503036597	10 LINK CHAIN		128
45	0541052334	DOUBLE JOINT ASSY	9	02
46	0541052249	LEFT SIDE SEMI MOUNTED FRAME	10	01
47	0541052323	RIGHT SIDE SEMI MOUNTED FRAME	11	01
48	0501318330	SPACER SLEEVE		32
49	0501111144	BOTTOM PROTECTION COVER COUPLING WITH RIVET		03
50	0501211001	PROTECTION COVER		01
51	0501111011	DISTRIBUTOR PROTECTION BASE		01
52	0531053079	MANUAL CANISTER ASSY	13	01
53	0591014147	SIDE SUPPORT GUIDE SLEEVE		02
54	0501110996	LOWER SUPPORT COVER PROTECTION WITH RIVET		04
55	0501110997	LARGER SUPPORT COVER PROTECTION		02
56	0501110998	CARDAN TOP PROTECTION COVER		03
57	0591012025	ACCESS COVER		02
58	0521054328	AXLE 27,80 X EC 130 ASSY	14	02
59	0521054135	AXLE 25,00 X EC 130 ASSY	15	01
60	0581012546	LUBRICATION AXIS TRANSMISSION		03
61	0501110186	OIL SMALLER LEVEL INDICATOR		02
62	0501066446	DRAWBAR		01



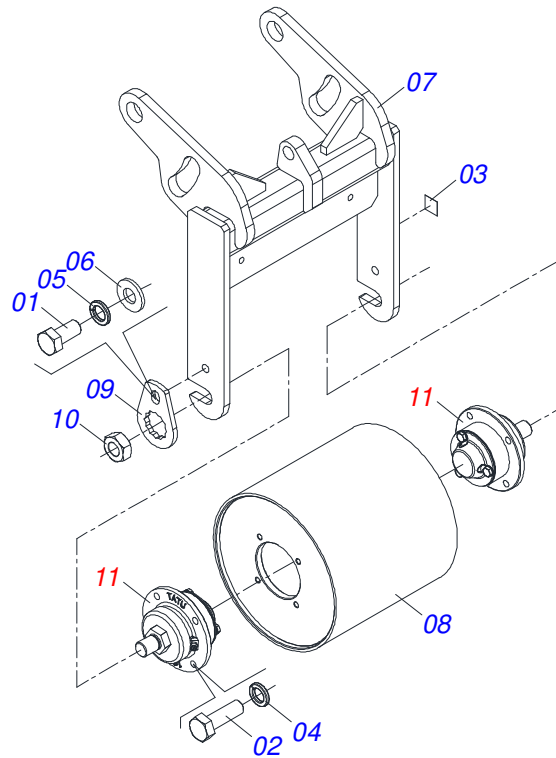
Item	Code	Description	See page	QT
01	0501052529	UNIVERSAL JOINT WITH SLEEVE/PROT		01
02	0501052523	UNIVERSAL JOINT WITH SLEEVE		01
03	0501052524	UNIVERSAL JOINT		01
04	0501050334	1-60 TERMINAL WITH QUICK HITCH		01
05	0502010568	1-60 STRIATED 1.3/8" TERMINAL		01
06	0503010838	0.1" X 0.8" SPRING PIN		02
07	0503037375	PIN QUICK COUPLING		02
08	0503030518	0.5"X1.0"X 0.1" COMPRESSION SPRING		02
09	0503010837	CARDAN CROSSPIECE		01
10	0503012608	T2-60/CI51 TERMINAL		01
11	0503012609	2.1" X 2.0" X 35" TRIAN FEMALE TUB		01
12	0503010843	0.4" X 3.3" SPRING PIN		01
13	0503011878	0.2" X 3.3" SPRING PIN		01
14	0503012075	PROTECTION FOR UNIV JOINT AND SLEEVE		01
15	0501052554	UNIVERSAL JOINT WITH SHAFT/PROT		01
16	0501052553	UNIVERSAL JOINT WITH CROSS/SHAFT		01
17	0501052520	UNIVERSAL JOINT WITH CROSSPIECE		01
18	0503012600	T3-60/CI52 TERMINAL		01
19	0503010837	CARDAN CROSSPIECE		01
20	0503012610	1.8" X 1.7" X 35" TRIAN MALE TUB		01
21	0503011069	0.4" X 2.8" SPRING PIN		01
22	0503011805	0.2" X 2.8" SPRING PIN		01
23	0503012076	PROTECTION FOR UNIV JOINT AND AXLE		01
24	0503012023	CHAIN FOR PROTECTION		02
25	0501049150	90 KGM FRICTION	3	01



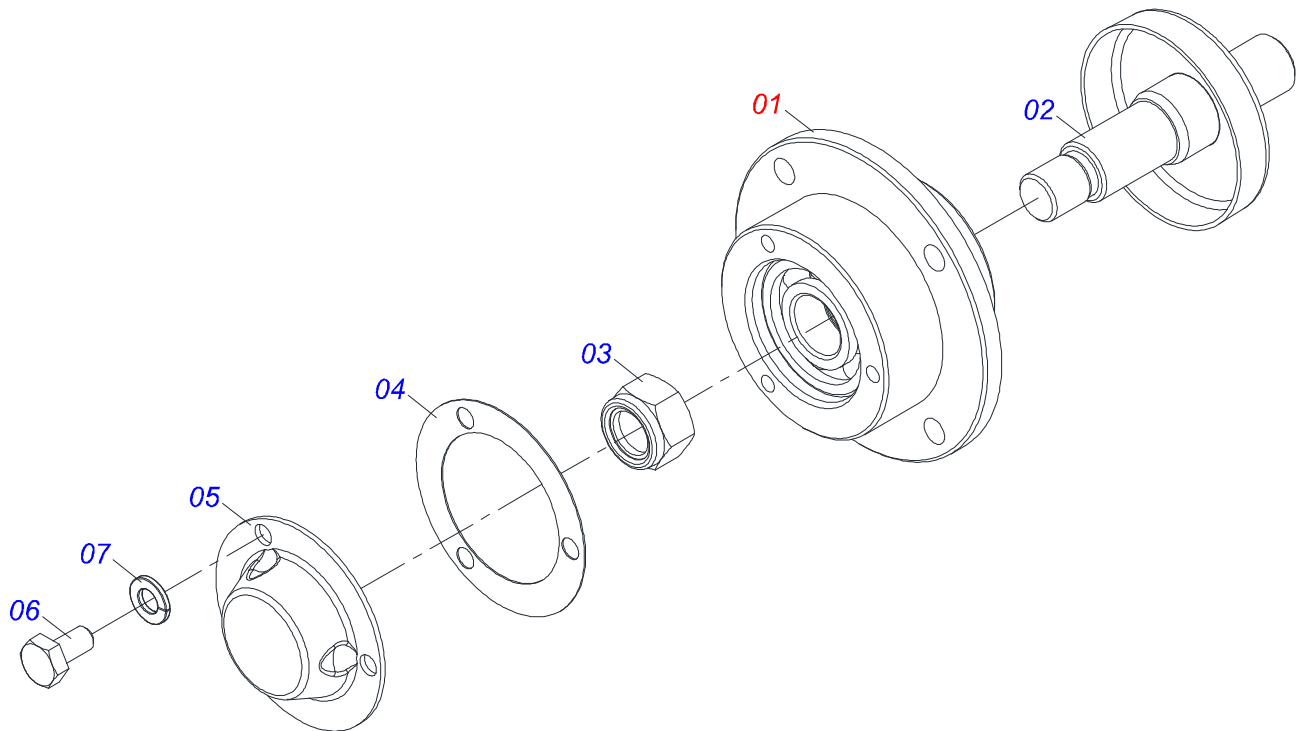
Item	Code	Description	See page	QT
01	0503031588	FRONT FLANGE		01
02	0503011869	CENTRAL FLANGE		01
03	0503011870	REAR FLANGE		01
04	0503031474	INNER FRICTION DISC		01
05	0503031478	OUTER FRICTION DISC		01
06	0503030630	1.02"X1.3"X0.2" COMPRESSION SPRING		08
07	0511017302	FLAT WASHER 13,50 X 32,50 X 3,0 ZN		08
08	0503011336	1/2" HEX SELF ADJUSTING NUT		08
09	0503010752	1/2" X 3.1/2" BOLT		08
10	0503010741	1/2" X 2-3/4" BOLT		02
11	0503010019	1/2" SPRING WASHER		02
12	0503010060	1/2 UNC G.5 ZN HEX NUT		02



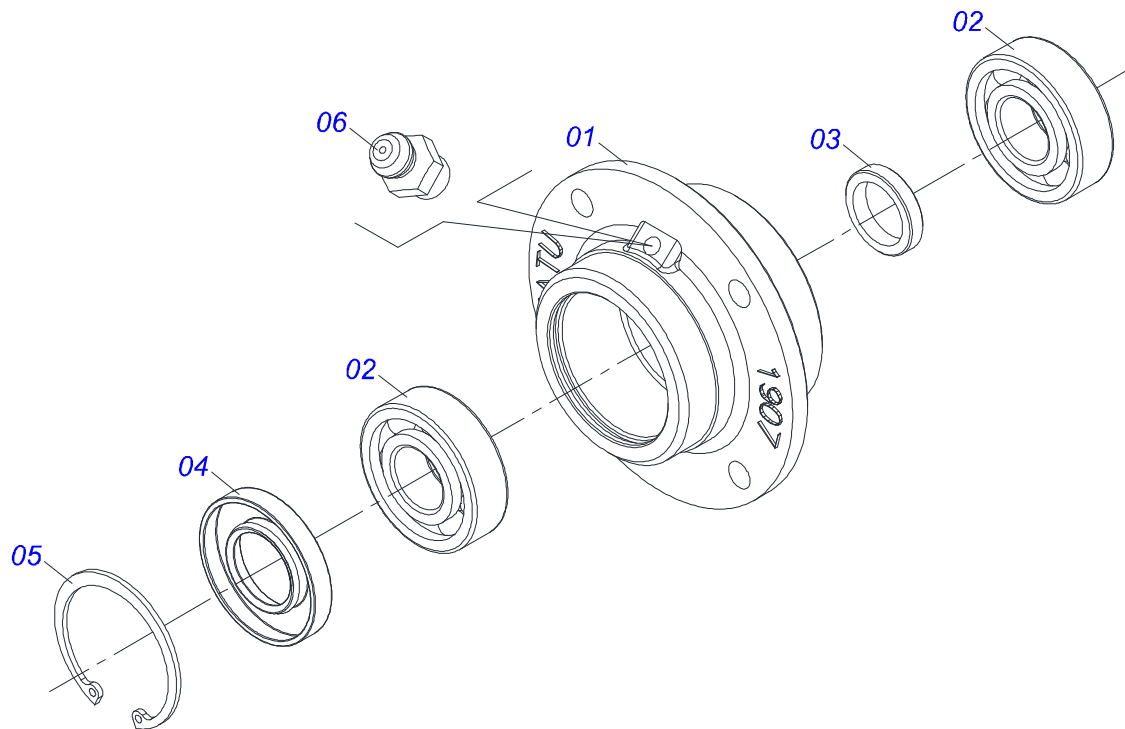
Item	Code	Description	See page	QT
01	0503010257	1/8" X 1" SPLIT PIN		01
02	0502012964	HANDLE		01
03	0531067223	ARM		01
04	0581019519	FLAT WASHER		01
05	0503030975	0.9" X 1.5" X 0.1" SPRING		01



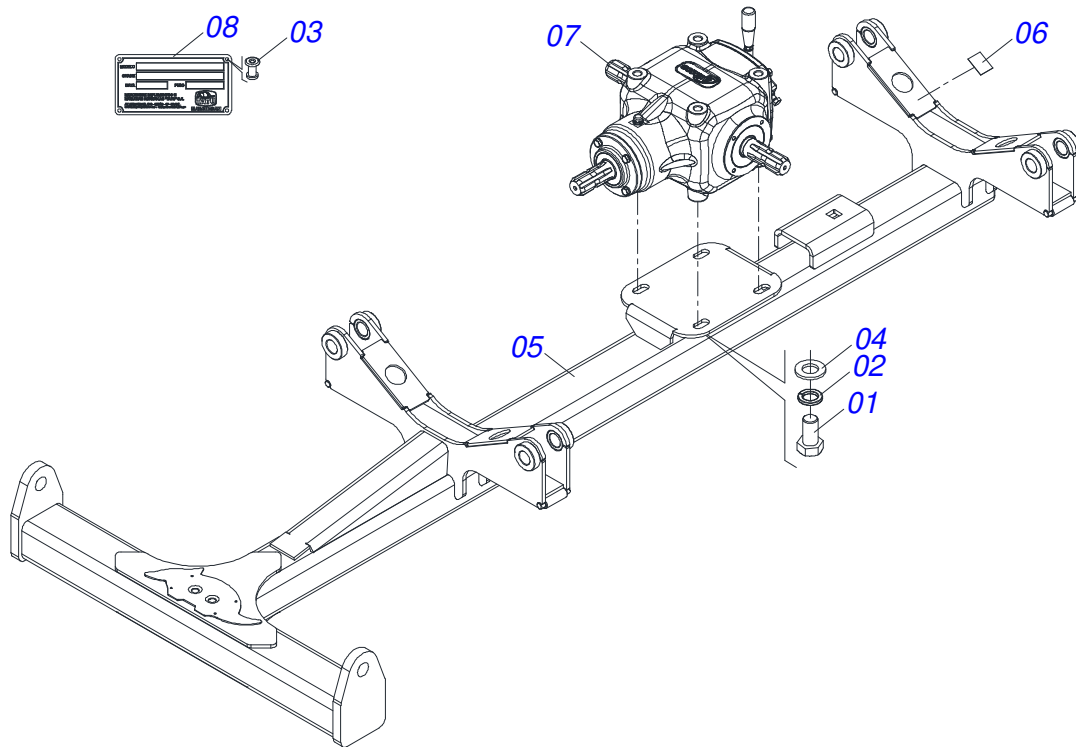
Item	Code	Description	See page	QT
01	0503012556	1/2" X 1" BOLT		02
02	0503010371	5/16" X 1" BOLT		08
03	0503034247	LUBRICATION POINT DECAL		02
04	0503011444	SPRING WASHER 5/16"		08
05	0503011440	SPRING WASHER		02
06	0501010937	13,50 X 28 X 3,00 FLAT WASHER		02
07	0531067278	ROLLER SUPPORT		01
08	0531067224	ROLLER		01
09	0591011531	3/4 LOCK NUT		02
10	0501314148	3/4 UNF NUT		02
11	0511051546	RIGHT DEPTH CONTROL HUB	6	02



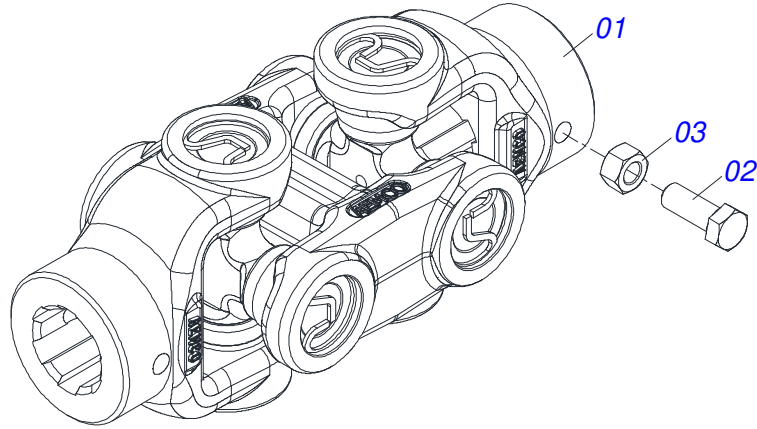
Item	Code	Description	See page	QT
01	0511051583	SEMI-ASSEMBLED DEPTH WHEEL HUB	7	01
02	0511066638	RIGHT AXLE WITH DUST CLOAK		01
03	0503010878	5/8" SELF ALIGNING NUT		01
04	0503030757	2.9" X 2" X 0.02" JOINT		01
05	0521019178	PROTECTION LID		01
06	0503014729	1/4" UNF X 1/2" BOLT		03
07	0503011441	SPRING WASHER		03



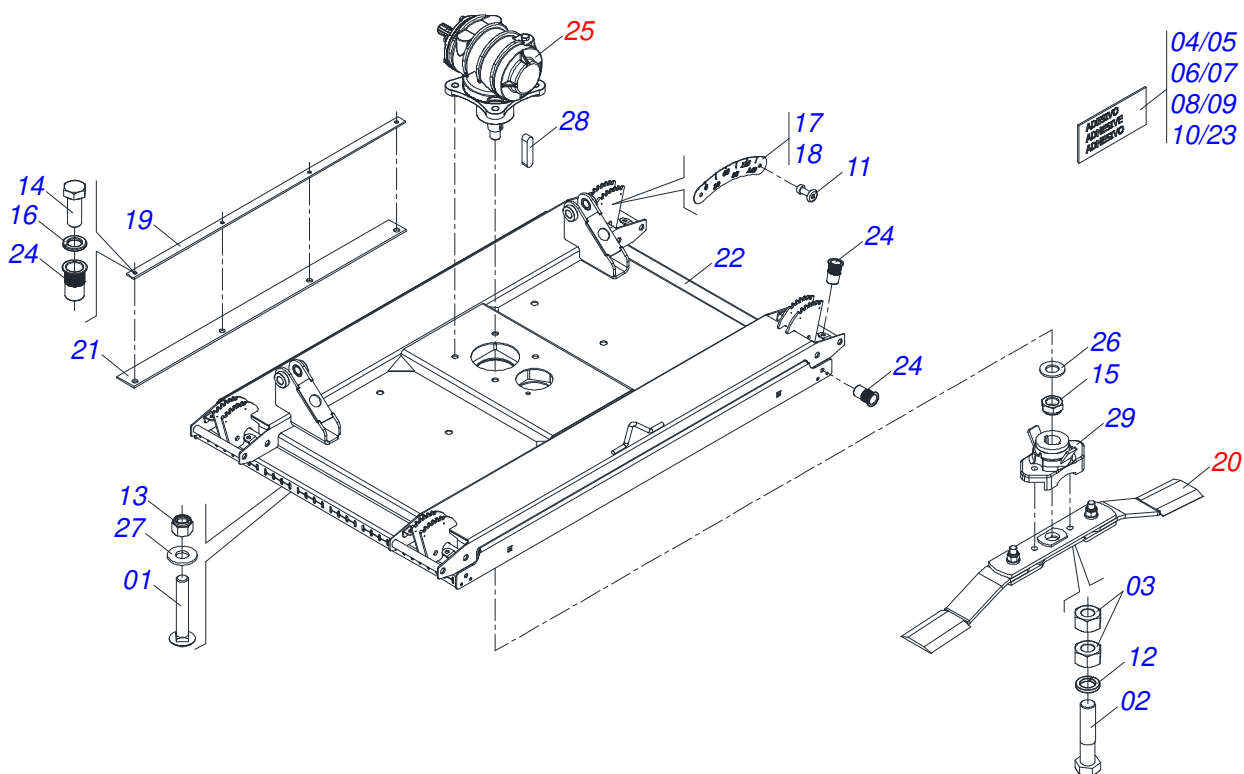
Item	Code	Description	See page	QT
01	0502011907	DEPTH CONTROL WHEEL HUB		01
02	0503010269	6204 BALL BEARING		02
03	0501013636	SPACING SLEEVE		01
04	0503010689	SEAL 00763-BR		01
05	0503011105	SEAL RING		01
06	0503010691	1/4" GREASE FITTING		01



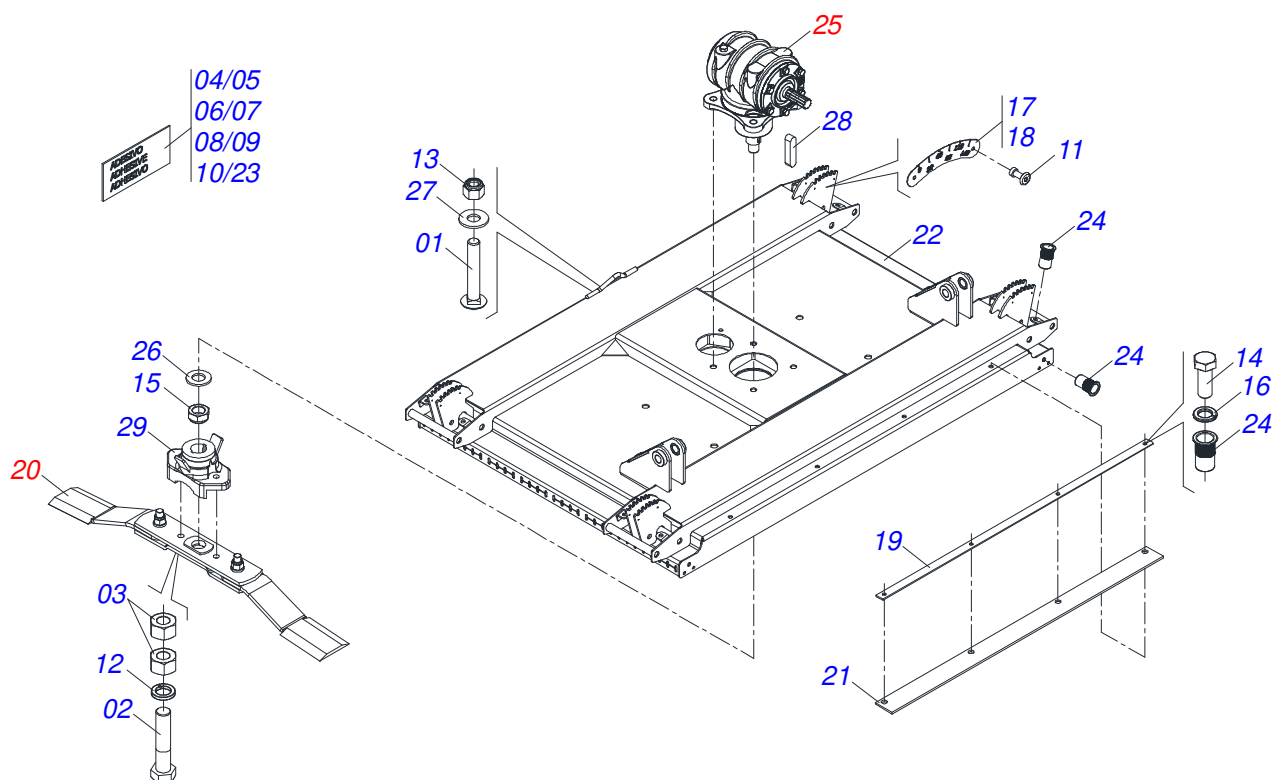
Item	Code	Description	See page	QT
01	0503011167	M16 X 2 X 30 BOLT		04
02	0503010027	5/8 SPRING WASHER		04
03	0503010001	RIVET 3,2 X 5,5		04
04	0501011299	FLAT WASHER		04
05	0531067225	CENTRAL FRAME		01
06	0503034078	LIFTING POINTS DECAL		04
07	0503063554	TRANSMISSION BOX DISTRIBUTOR		01
08	0503034003	61 X 118 SERIAL NUMBER TAG		01



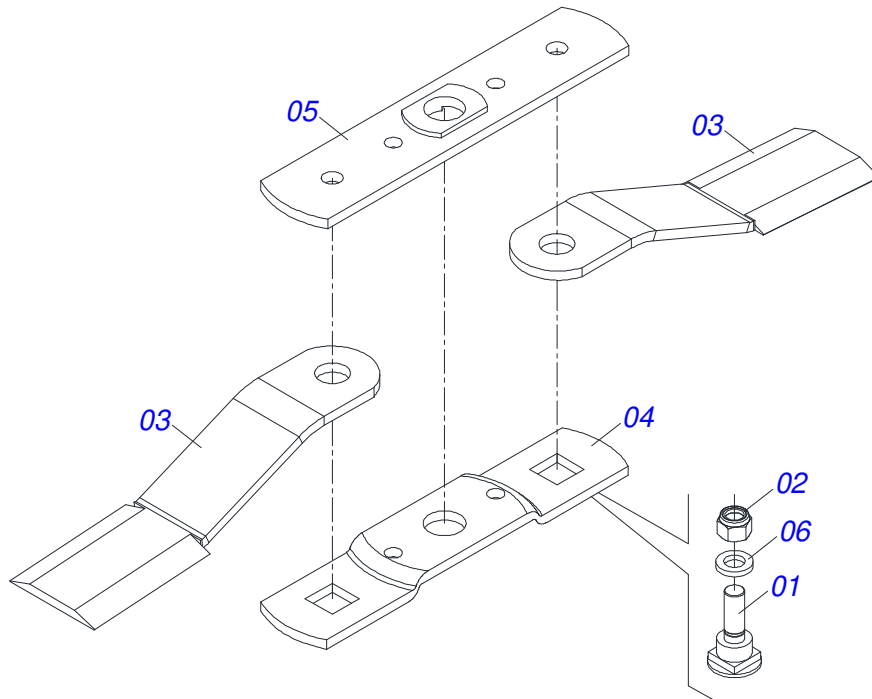
Item	Code	Description	See page	QT
01	0503064255	CCH-2500 (CC313H313) JOINT		01
02	0503010237	3/8" X 1" BOLT		04
03	0503010026	3/8" NUT		04



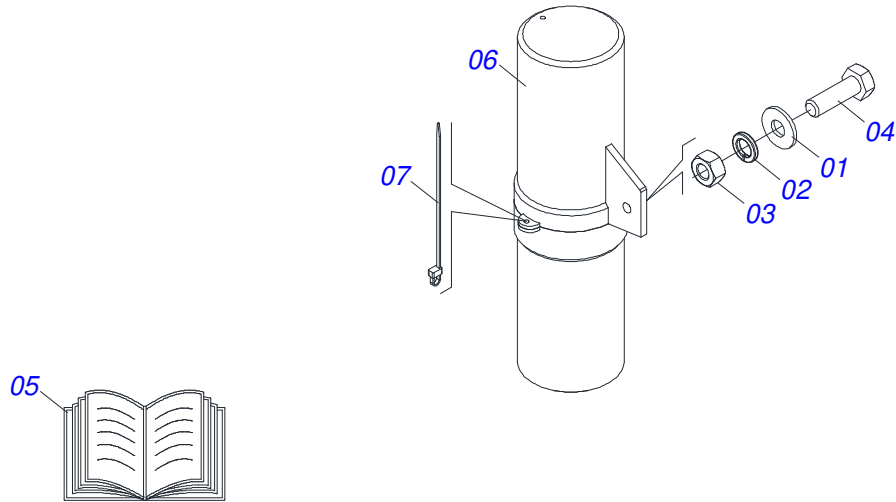
Item	Code	Description	See page	QT
01	0503017867	SCREW 3/4 UNC X 4.1/2 CAPQ G.7 ZN		04
02	0503010901	3/4UNC 3.1/2 BOLT		02
03	0503010014	3/4" ZN G.5 (HEAVY) UNC HEX NUT		04
04	0503034333	TATU MARCHESAN LOGO DECAL		01
05	0503032949	ATTENTION 3 LANGUAGES DECAL		01
06	0503032535	SIDE CARDAN DECAL		01
07	0503032534	IMPORTANT FRICTION ADJUSTMENT DECAL		01
08	0503032060	50 METERS DISTANCE DANGER DECAL		01
09	0503031930	DANGER ROTATING BLADES DECAL		01
10	0503031127	RESPIRO DECAL		01
11	0503013356	RIVET POP 3,2 X 10,0		16
12	0503011442	3/4" SPRING WASHER		02
13	0503011075	3/4 UNC LOCK NUT		04
14	0503010237	3/8" X 1" BOLT		04
15	0503010044	SELF LOCKING NUT 1.1/4 UNF G.5 ZN		01
16	0503010025	3/8 SPRING WASHER		04
17	0501316138	LEFT SCALE		04
18	0501316137	RIGHT SCALE		04
19	0501318348	PROTECTIVE CANVAS FIXING RULER		01
20	0541051535	340 SUPPORT ASSY	12	01
21	0503036660	RUBBER BLANKET		01
22	0531067218	RIGHT SIDE FRAME		01
23	0503034078	LIFTING POINTS DECAL		03
24	0503019413	THREAD SCREW INTERNAL		17
25	0501046948	MULTIPLIER		01
26	0501017779	FLAT WASHER 32 X 60 X 4,75		01
27	0501010322	20,50 X 46 X 4,00 ZN FLAT WASHER		04
28	0501010536	KEYWAY SQUARE		02
29	0502012453	SUPPORT FLANGE		01



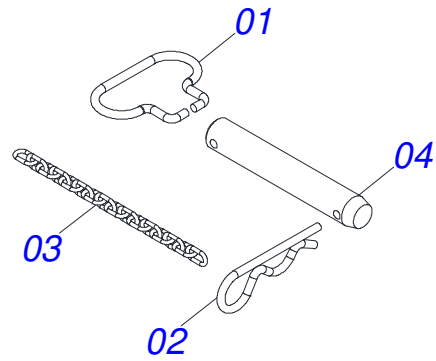
Item	Code	Description	See page	QT
01	0503017867	SCREW 3/4 UNC X 4.1/2 CAPQ G.7 ZN		04
02	0503010901	3/4UNC 3.1/2 BOLT		02
03	0503010014	3/4" ZN G.5 (HEAVY) UNC HEX NUT		04
04	0503035684	RC2E 2300 R LOGO DECAL		01
05	0503031932	90 OIL RETIGHTEN LUBRICATION DECAL		01
06	0503031428	READ MANUAL DECAL		01
07	0503032534	IMPORTANT FRICTION ADJUSTMENT DECAL		01
08	0503031427	ATTENTION POWER SPOT DECAL		01
09	0503031929	SPECIAL BLADES EQUIPMENT DECAL		01
10	0503031127	RESPIRO DECAL		01
11	0503013356	RIVET POP 3,2 X 10,0		16
12	0503011442	3/4" SPRING WASHER		02
13	0503011075	3/4 UNC LOCK NUT		04
14	0503010237	3/8" X 1" BOLT		04
15	0503010044	SELF LOCKING NUT 1.1/4 UNF G.5 ZN		01
16	0503010025	3/8 SPRING WASHER		04
17	0501316138	LEFT SCALE		04
18	0501316137	RIGHT SCALE		04
19	0501318348	PROTECTIVE CANVAS FIXING RULER		01
20	0541051535	340 SUPPORT ASSY	12	01
21	0503036660	RUBBER BLANKET		01
22	0531067218	RIGHT SIDE FRAME		01
23	0503034078	LIFTING POINTS DECAL		03
24	0503019413	THREAD SCREW INTERNAL		17
25	0501046948	MULTIPLIER		01
26	0501017779	FLAT WASHER 32 X 60 X 4,75		01
27	0501010322	20,50 X 46 X 4,00 ZN FLAT WASHER		04
28	0501010536	KEYWAY SQUARE		02
29	0502012453	SUPPORT FLANGE		01



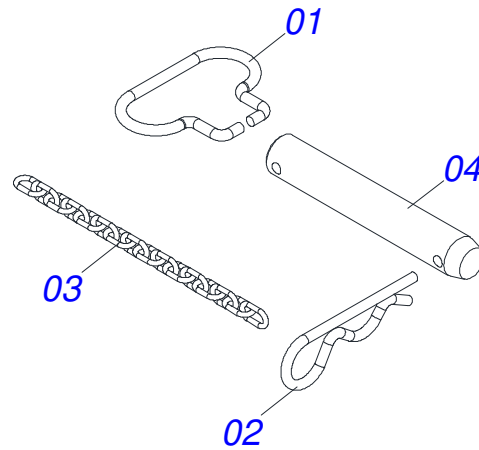
Item	Code	Description	See page	QT
01	0511019000	BOLT		02
02	0503010812	7/8" UNF SELF LOCKING NUT		02
03	0622400045	BRUSHCUTTER		02
04	0561017368	ROTARY LOWER SUPPORT		01
05	0561017308	SUPPORT UPPER BASE		01
06	0501016249	FLAT WASHER		02



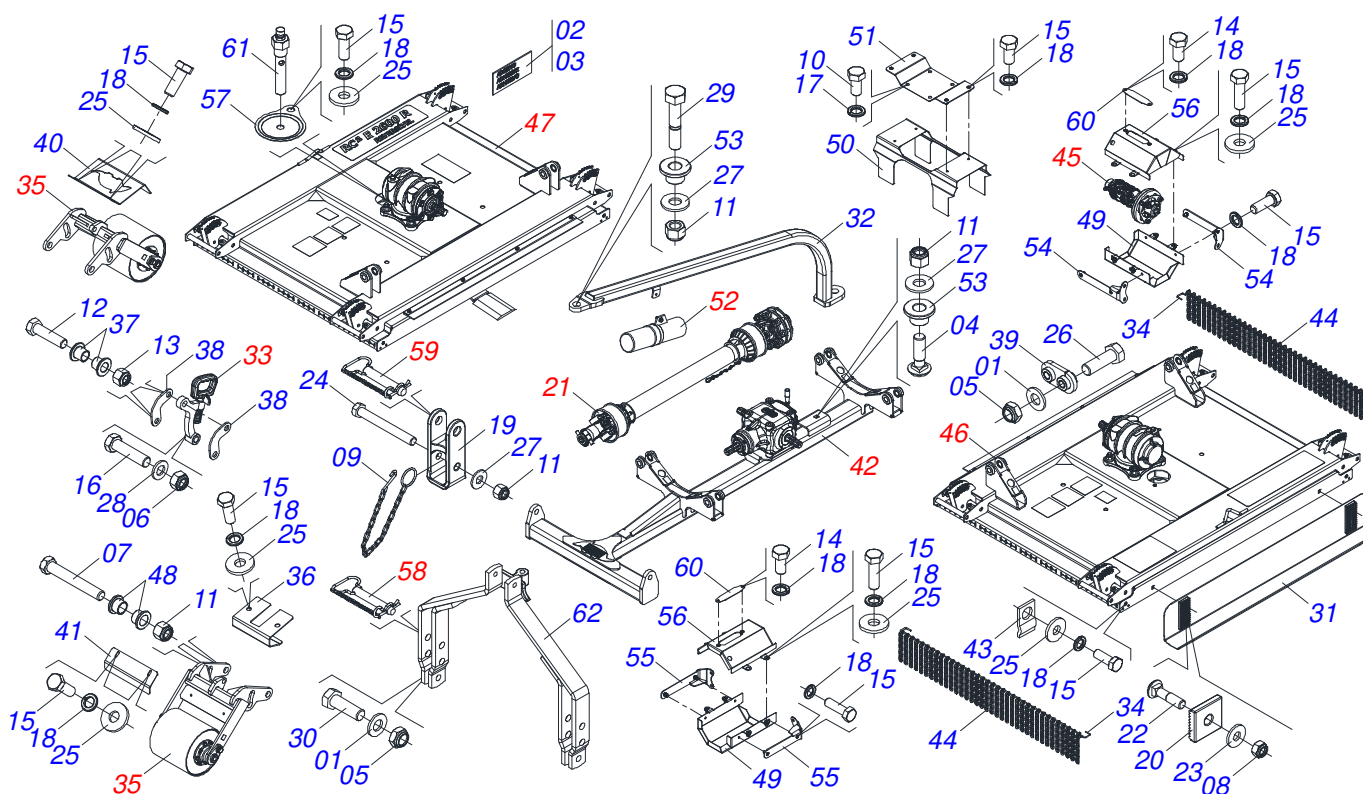
Item	Code	Description	See page	QT
01	0501010694	FLAT WASHER 32,50 X 75 X 4,75		01
02	0503010179	LOCK WASHER 5/16 ZN 1K01528		01
03	0503010337	NUT 5/16 UNC G.5 ZN		01
04	0503010363	BOLT 5/16 UNC X 1 C S G.2 ZN		01
05	0511034261	PLASTIC COVER WITH INSTRUCTIONS MANUAL		01
06	0503060100	SUPPORT INSTRUCTION MANUAL		01
07	0503010267	NYLON CLAMP 3,60 X 1,3 X 155 MM		01



Item	Code	Description	See page	QT
01	0503034755	HANDLE PIN HITCH		01
02	0503031035	HITCH PIN CLIP		01
03	0503034756	3,00 X 16 CHAIN		01
04	0581018636	AXIS 27,80 X 155 X EC 130 FR 7,14		01

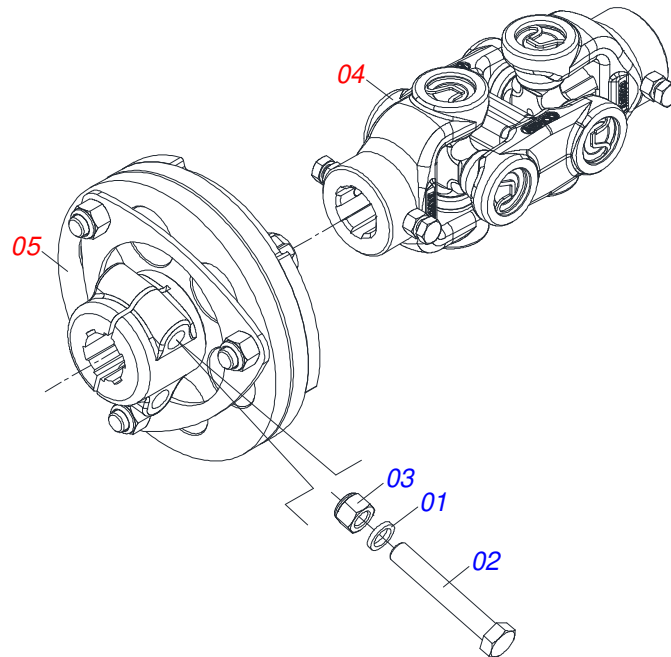


Item	Code	Description	See page	QT
01	0503034755	HANDLE PIN HITCH		01
02	0503031035	HITCH PIN CLIP		01
03	0503034756	3,00 X 16 CHAIN		01
04	0581018637	AXIS 25 X 155 X EC 130 FR 7,14		01

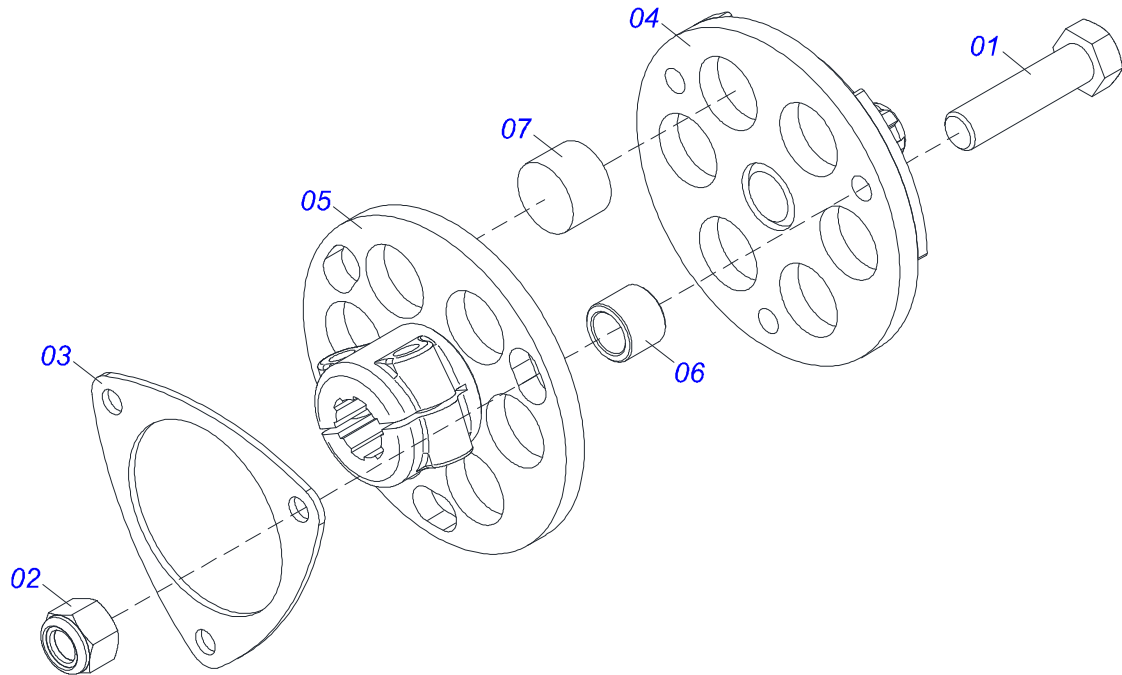


Item	Code	Description	See page	QT
01	0511015994	FLAT WASHER		10
02	0503034247	LUBRICATION POINT DECAL		03
03	0503031087	AUTO CONTROL APPROVED DECAL		01
04	0503014249	3/4" X 2-1/2" BOLT		01
05	0503014182	SELF-ADJUSTING NUT		10
06	0503013389	5/8" SELF LOCKING NUT		08
07	0503012951	3/4" X 10-1/2" BOLT		16
08	0503012412	5/8" UNC SELF LOCKING NUT		04
09	0503011981	17.7" CHAIN WITH HOOK/LINK		01
10	0503011167	M16 X 2 X 30 BOLT		04
11	0503011075	3/4 UNC LOCK NUT		19
12	0503010740	BOLT 1/2 UNC X 2 CS G.5 ZN		16
13	0503010589	1/2" UNC SELF ADJUSTING NUT		16
14	0503010256	3/8" X 3/4" BOLT		06
15	0503010237	3/8" X 1" BOLT		70
16	0503010233	5/8" X 2-1/2" BOLT		08
17	0503010027	5/8 SPRING WASHER		04
18	0503010025	3/8 SPRING WASHER		76
19	0502040922	DRAWBAR SUPPLEMENT		01
20	0502010083	SQUARE WASHER		04
21	0501045426	DRIVE SHAFT	2	01
22	0501014177	5/8" X 2-1/2" BOLT		04
23	0501012140	FLAT WASHER 16,50 X 40 X 4,00 ZN		04
24	0501011545	3/4" X 6-1/2" BOLT		01
25	0501010984	10,50 X 27 X 3,00 FLAT WASHER		54
26	0501010392	1" X 5" BOLT		08
27	0501010322	20,50 X 46 X 4,00 ZN FLAT WASHER		03
28	0501010301	FLAT WASHER 16 X 29,50 X 3,00		08
29	0501010216	3/4 UNC X 4.1/2 C S G.5 ZN BOLT		01
30	0501010171	BOLT 1 UNC X 3.1/2 C S G.5		02
31	0531067758	SIDE PROTECTION		02
32	0531067606	SIDE SUPPORT		01

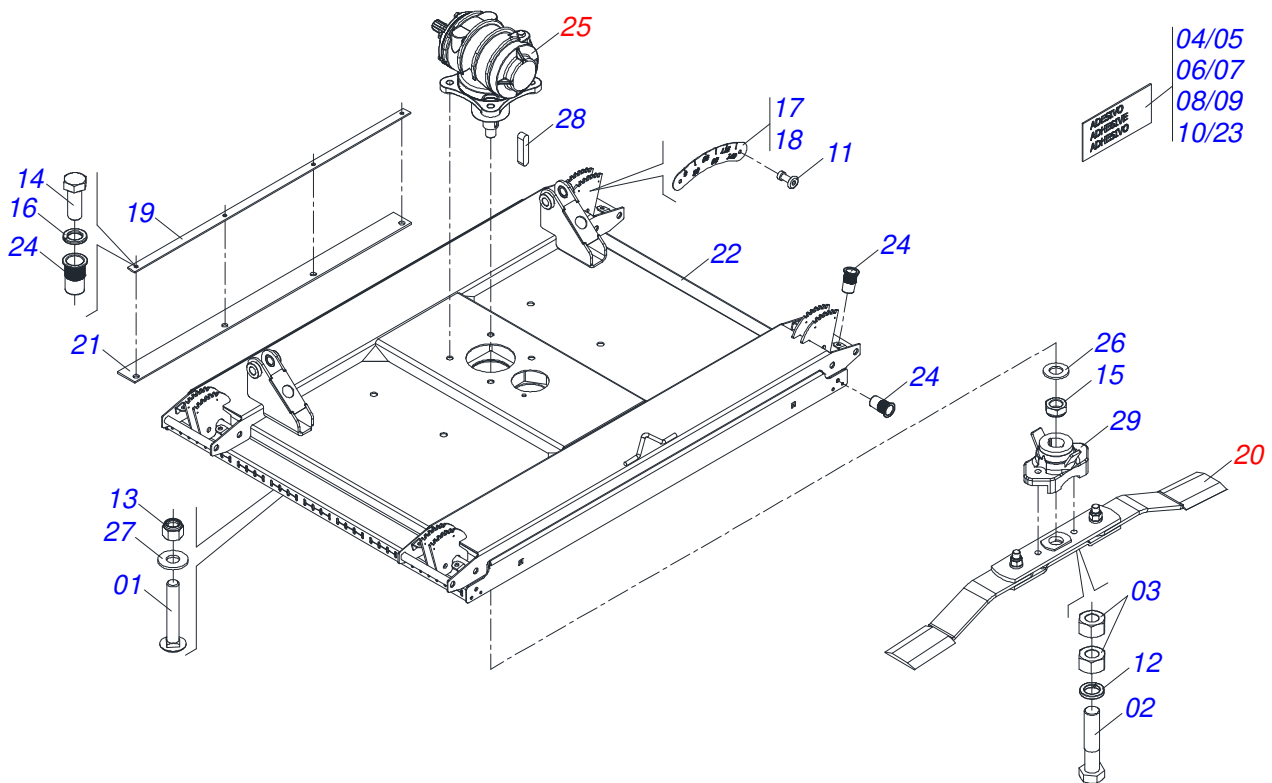
Item	Code	Description	See page	QT
33	0541052669	HEIGHT CONTROL REGULATOR	4	08
34	0501316472	3/16 STEEL CABLE		04
35	0531045471	ROLLER ASSY	5	08
36	0501318354	ROLLER SUPPORT LID		08
37	0501318353	SPACER SLEEVE		32
38	0501318373	DEPTH CONTROL JOINT SUPPORT		16
39	0501111261	FRAME JOINT WITH SLEEVE		04
40	0501318357	REAR ROLLER CLEANER		04
41	0501318358	FRONT ROLLER CLEANER		04
42	0541052324	CENTRAL FRAME ASSY	8	01
43	0501315042	1/4 STEEL CABLE CLAMP		08
44	0503036597	10 LINK CHAIN		144
45	0541052423	DOUBLE JOINT ELASTIC COUPLING	17	02
46	0541052422	LEFT SIDE SEMI MOUNTED FRAME	19	01
47	0541052421	RIGHT SIDE SEMI MOUNTED FRAME	20	01
48	0501318330	SPACER SLEEVE		32
49	0501111144	BOTTOM PROTECTION COVER COUPLING WITH RIVET		03
50	0501316473	BIGGER PROTECTION COVER		01
51	0501111011	DISTRIBUTOR PROTECTION BASE		01
52	0531053079	MANUAL CANISTER ASSY	13	01
53	0591014147	SIDE SUPPORT GUIDE SLEEVE		02
54	0501110996	LOWER SUPPORT COVER PROTECTION WITH RIVET		04
55	0501110997	LARGER SUPPORT COVER PROTECTION		02
56	0501110998	CARDAN TOP PROTECTION COVER		03
57	0591012025	ACCESS COVER		02
58	0521054328	AXLE 27,80 X EC 130 ASSY	14	02
59	0521054135	AXLE 25,00 X EC 130 ASSY	15	01
60	0581012546	LUBRICATION AXIS TRANSMISSION		03
61	0501110186	OIL SMALLER LEVEL INDICATOR		02
62	0501066446	DRAWBAR		01



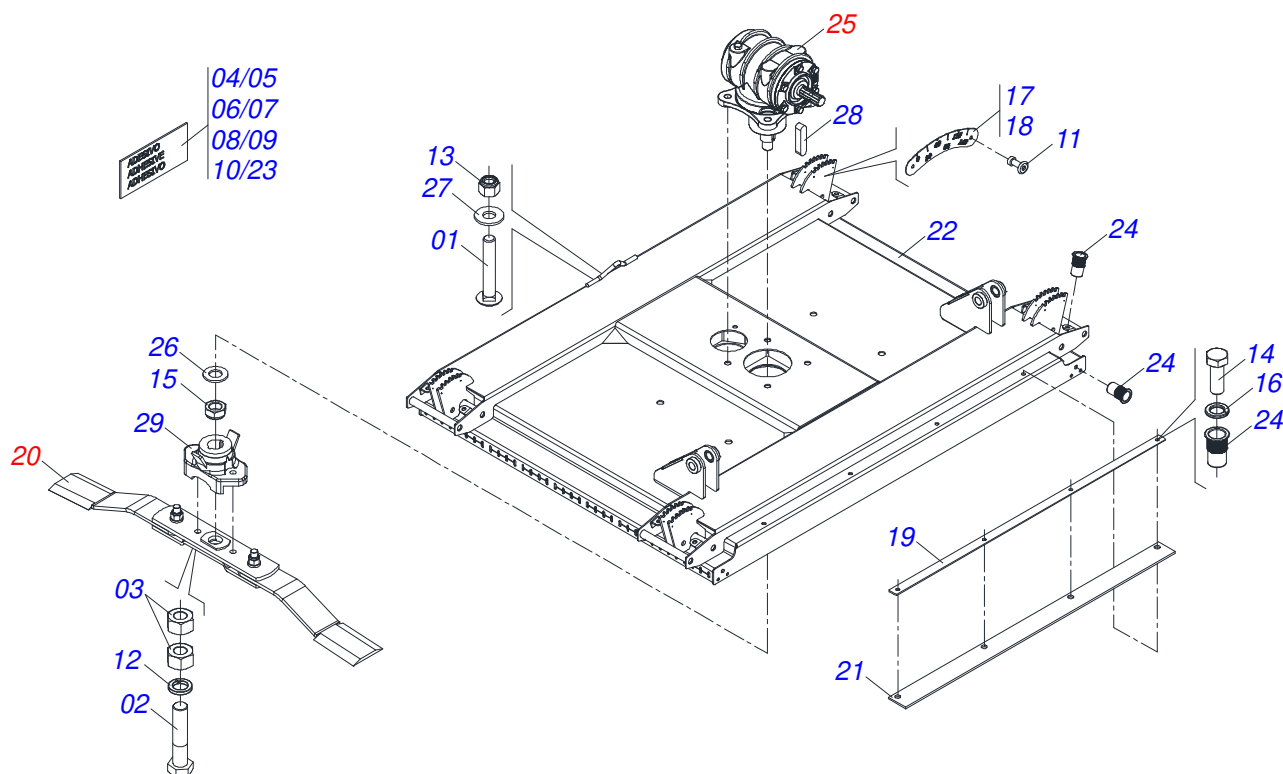
Item	Code	Description	See page	QT
01	0541012143	FLAT WASHER		02
02	0503010847	1/2" X 3.1/4" BOLT		02
03	0503010589	1/2" UNC SELF ADJUSTING NUT		02
04	0541052334	DOUBLE JOINT ASSY	9	01
05	0531058690	ELASTIC COUPLING 1.3/8 AXLE	18	01



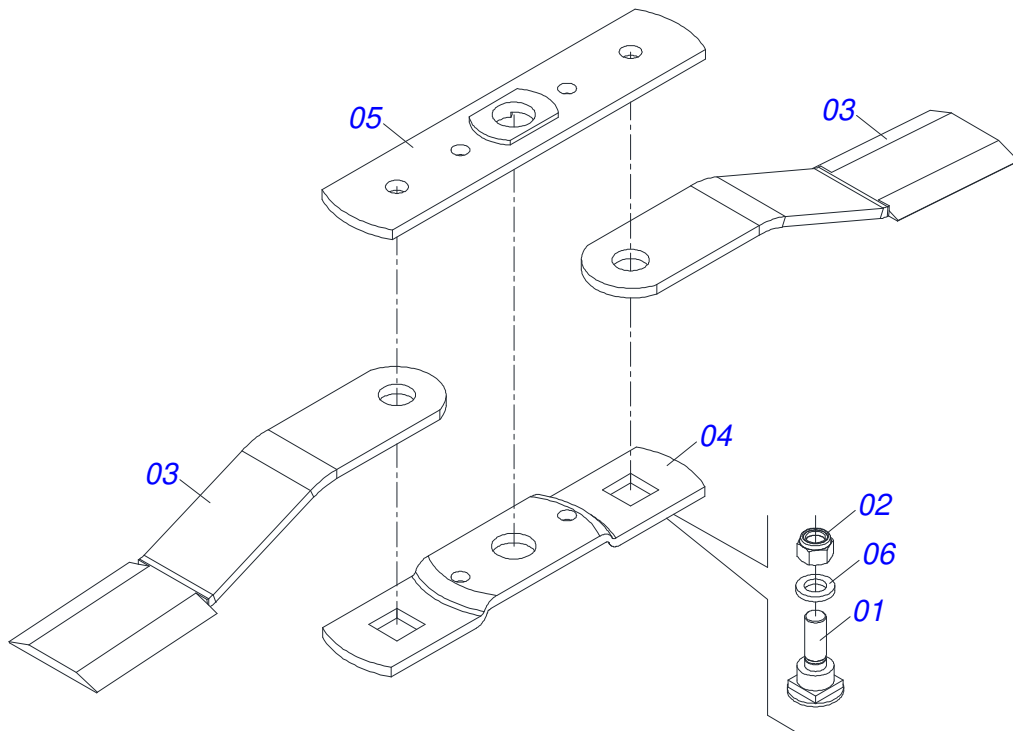
Item	Code	Description	See page	QT
01	0503011239	1/2" X 2" BOLT		03
02	0503010589	1/2" UNC SELF ADJUSTING NUT		03
03	0501310774	COUPLINING		01
04	0531065987	COUPLING FLANGE		01
05	0531065989	COUPLING FLANGE		01
06	0501310781	13,5 X 19,05 X 15 SLEEVE		03
07	0501310782	ELASTIC COUPLING RUBBER		06



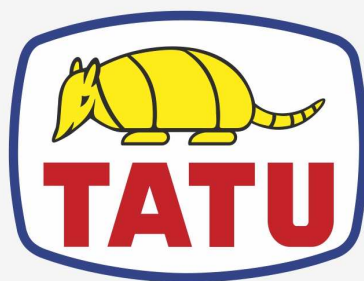
Item	Code	Description	See page	QT
01	0503017867	SCREW 3/4 UNC X 4.1/2 CAPQ G.7 ZN		04
02	0503010901	3/4UNC 3.1/2 BOLT		02
03	0503010014	3/4" ZN G.5 (HEAVY) UNC HEX NUT		04
04	0503034333	TATU MARCHESAN LOGO DECAL		01
05	0503032949	ATTENTION 3 LANGUAGES DECAL		01
06	0503032535	SIDE CARDAN DECAL		01
07	0503032534	IMPORTANT FRICTION ADJUSTMENT DECAL		01
08	0503032060	50 METERS DISTANCE DANGER DECAL		01
09	0503031930	DANGER ROTATING BLADES DECAL		01
10	0503031127	RESPIRO DECAL		01
11	0503013356	RIVET POP 3,2 X 10,0		16
12	0503011442	3/4" SPRING WASHER		02
13	0503011075	3/4 UNC LOCK NUT		04
14	0503010237	3/8" X 1" BOLT		04
15	0503010044	SELF LOCKING NUT 1.1/4 UNF G.5 ZN		01
16	0503010025	3/8 SPRING WASHER		04
17	0501316138	LEFT SCALE		04
18	0501316137	RIGHT SCALE		04
19	0501318348	PROTECTIVE CANVAS FIXING RULER		01
20	0541051275	340 SUPPORT ASSY	21	01
21	0503036660	RUBBER BLANKET		01
22	0531067341	RIGHT/LEFT SIDE FRAME		01
23	0503034078	LIFTING POINTS DECAL		03
24	0503019413	THREAD SCREW INTERNAL		17
25	0501046948	MULTIPLIER		01
26	0501017779	FLAT WASHER 32 X 60 X 4,75		01
27	0501010322	20,50 X 46 X 4,00 ZN FLAT WASHER		04
28	0501010536	KEYWAY SQUARE		02
29	0502012453	SUPPORT FLANGE		01



Item	Code	Description	See page	QT
01	0503017867	SCREW 3/4 UNC X 4.1/2 CAPQ G.7 ZN		04
02	0503010901	3/4UNC 3.1/2 BOLT		02
03	0503010014	3/4" ZN G.5 (HEAVY) UNC HEX NUT		04
04	0503035683	RC2E 2600 R LOGO DECAL		01
05	0503031932	90 OIL RETIGHTEN LUBRICATION DECAL		01
06	0503031428	READ MANUAL DECAL		01
07	0503032534	IMPORTANT FRICTION ADJUSTMENT DECAL		01
08	0503031427	ATTENTION POWER SPOT DECAL		01
09	0503031929	SPECIAL BLADES EQUIPMENT DECAL		01
10	0503031127	RESPIRO DECAL		01
11	0503013356	RIVET POP 3,2 X 10,0		16
12	0503011442	3/4" SPRING WASHER		02
13	0503011075	3/4 UNC LOCK NUT		04
14	0503010237	3/8" X 1" BOLT		04
15	0503010044	SELF LOCKING NUT 1.1/4 UNF G.5 ZN		01
16	0503010025	3/8 SPRING WASHER		04
17	0501316138	LEFT SCALE		04
18	0501316137	RIGHT SCALE		04
19	0501318348	PROTECTIVE CANVAS FIXING RULER		01
20	0541051275	340 SUPPORT ASSY	21	01
21	0503036660	RUBBER BLANKET		01
22	0531067341	RIGHT/LEFT SIDE FRAME		01
23	0503034078	LIFTING POINTS DECAL		03
24	0503019413	THREAD SCREW INTERNAL		17
25	0501046948	MULTIPLIER		01
26	0501017779	FLAT WASHER 32 X 60 X 4,75		01
27	0501010322	20,50 X 46 X 4,00 ZN FLAT WASHER		04
28	0501010536	KEYWAY SQUARE		02
29	0502012453	SUPPORT FLANGE		01



Item	Code	Description	See page	QT
01	0511019000	BOLT		02
02	0503010812	7/8" UNF SELF LOCKING NUT		02
03	0622400044	BRUSHCUTTER		02
04	0561017368	ROTARY LOWER SUPPORT		01
05	0561017308	SUPPORT UPPER BASE		01
06	0501016249	FLAT WASHER		02



MARCHESAN

Technical Publications | Elaboration and Revision

ALESSANDRA PATRICIA KAWAHARA CARRILI

www.marchesan.com.br

