

HINGE TYPE OFFSET DISK HARROW

GNL 32D
GNL 32D

Code: 0501093817
Series: S-0222
Revision: 00
Revision Date: JANUARY/2024

PARTS

CATALOGUE



MARCHESAN



PRODUCTS

Code	Working Width	Description
0102130659		GNL 32X22X4,50 MT DMO E 1.1/4 S-0222 (ESPECIAL)

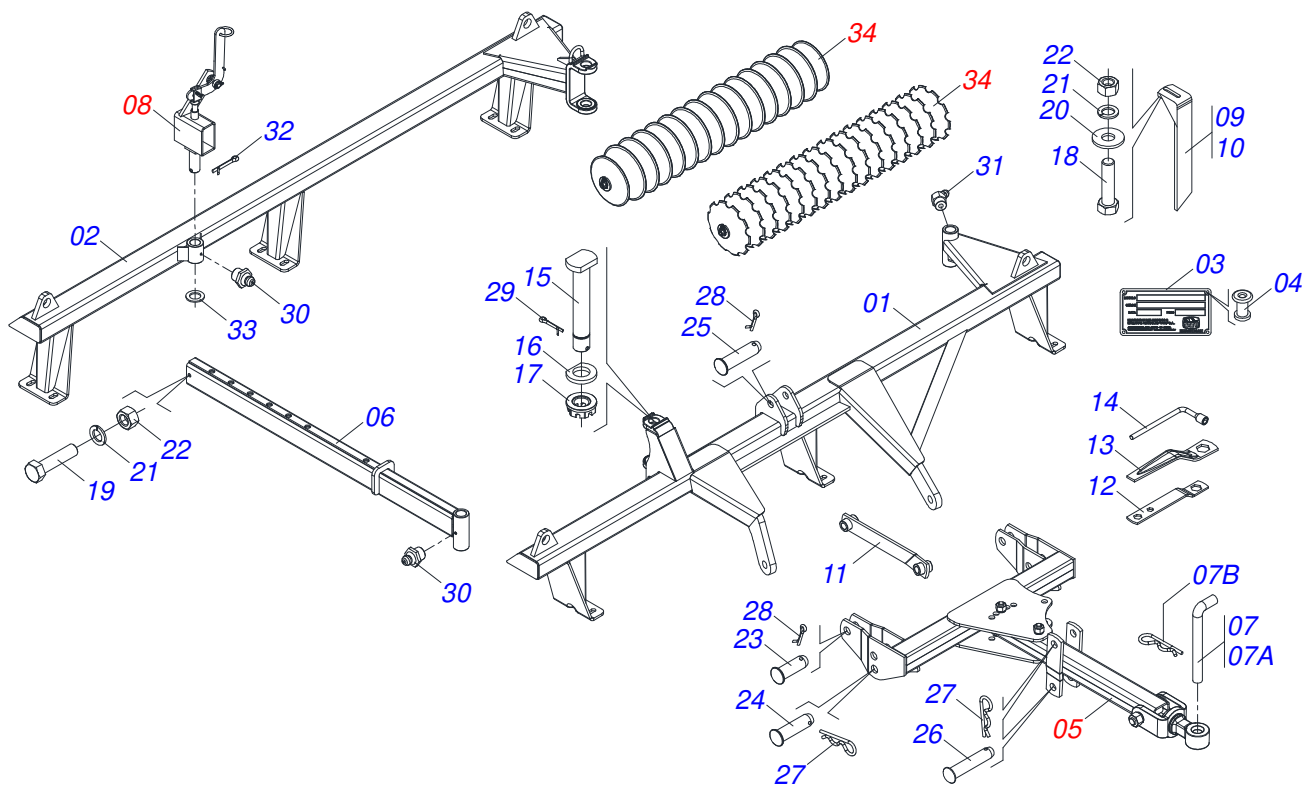
ATTENTION: IMPORTANT

Marchesan S.A. reserves the right to improve and/or modify the technical features of its products, without obligation to do the same with those products already sold and without prior knowledge of the dealer or the customer. The photos are only illustrative.



INDEX

0909097085	FRAME ASSY	1
0531040840	DRAWBAR ASSEMBLY	2
0501043278	ADJUSTMENT ASSY	3
0909097086	DISCS GANG	4
0521047188	182 X 1.1/4 DMO BEARING W/PROTECTION SUPPORT	5
0521050841	AGRICULTURAL BEARING DMO 182 X 1.1/4	6

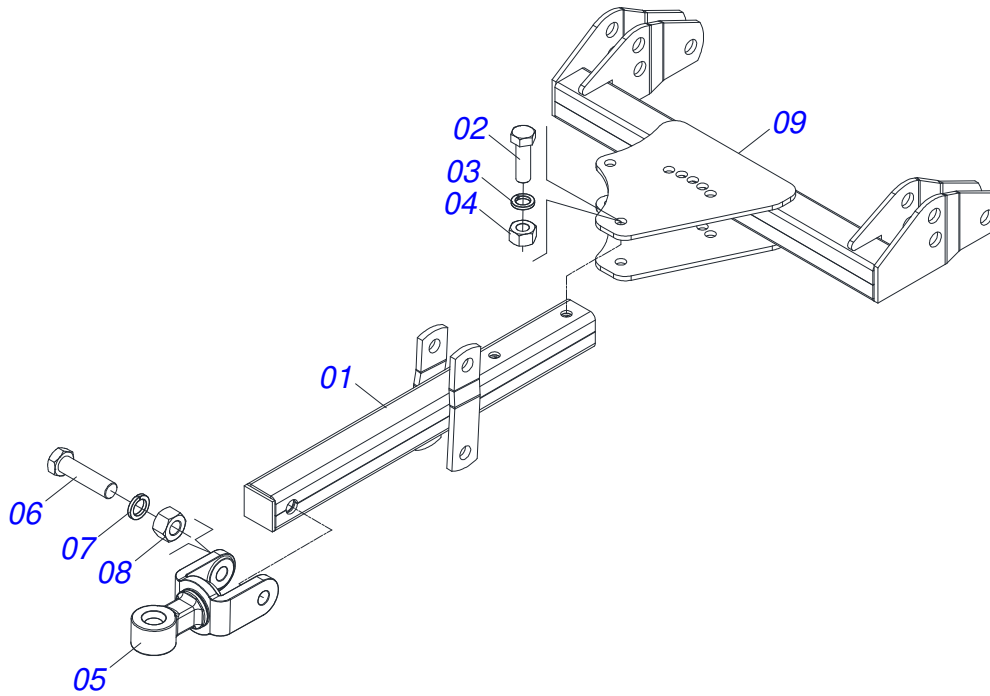


Item	Code	Description	See page	QT
01	0531063464	FRONT FRAME - 32		01
02	0531063466	REAR FRAME - 32		01
03	0503034003	61 X 118 SERIAL NUMBER TAG		01
04	0503010001	RIVET 3,2 X 5,5		04
05	0531040840	DRAWBAR ASSEMBLY	2	01
06	0531063468	ADJUSTMENT BAR		01
07	0501040343	HITCH AXIS ASSY		01
07A	0521010453	JOINT AXIS		01
07B	0503031035	HITCH PIN CLIP		01
08	0501043278	ADJUSTMENT ASSY	3	01
09	0501063963	FRONT SCRAPER		12
10	0501063962	REAR SCRAPER		12
11	0531061940	SIDE SUPPORT		01
12	0511018451	5/8" X 3/4" X 1" UNIVERSAL		01
13	0501010198	1-1/4" CABLE FLAT WRENCH		02
14	0501068273	5/8" WRENCH		01
15	0531019497	1.5" X 9.2" ARTICULATED AXIS		02
16	0531019540	FLAT WASHER		02
17	0501011301	1.1/2" UNC 6FPP 2.5/16" NUT		02
18	0503011082	C1/2" X 1.3/4" SCREW		48
19	0503010741	1/2" X 2-3/4" BOLT		01
20	0511017302	FLAT WASHER 13,50 X 32,50 X 3,0 ZN		48
21	0503010019	1/2" SPRING WASHER		49
22	0503010060	1/2 UNC G.5 ZN HEX NUT		49
23	0521010592	1.1" X 3.1" COUPLING SHAFT		02
24	0521010593	1.1" X 3.9" COUPLING SHAFT		02
25	0521010579	COUPLING SHAFT		01
26	0521010581	0.9" X 4.9" COUPLING SHAFT		02
27	0503031035	HITCH PIN CLIP		04
28	0503010571	1/4" X 1.1/2" SPLIT PIN		03

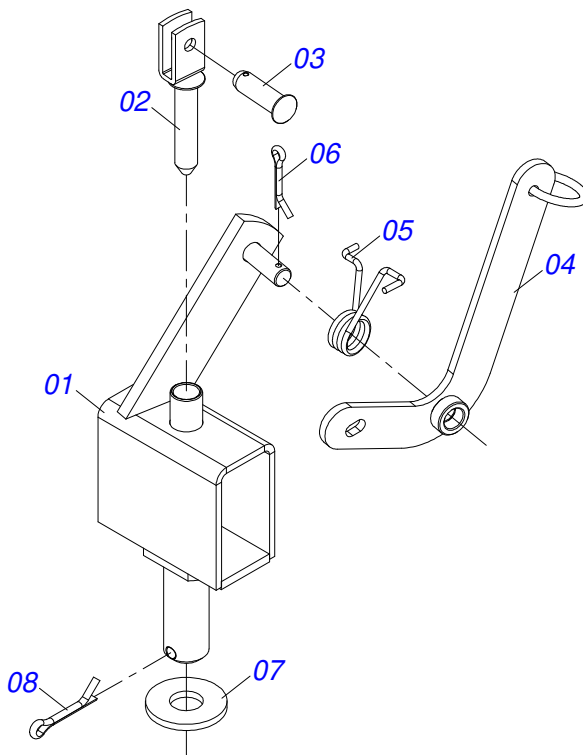


GNL 32D
FRAME ASSY

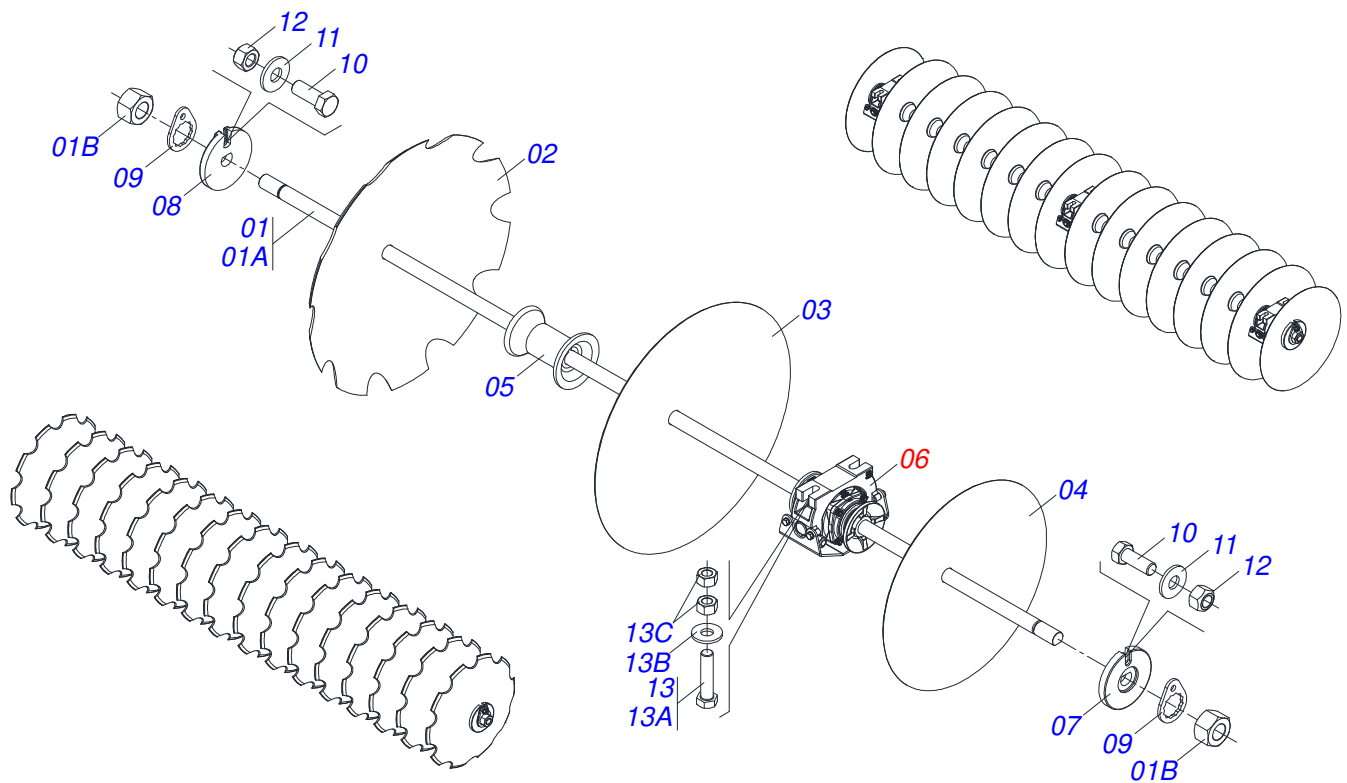
Item	Code	Description	See page	QT
29	0503010010	SPLIT PIN 1/4" X 2.1/2"		02
30	0503010002	1800 GREASE FITTING		02
31	0503010003	1845 GREASE FITTING		01
32	0503010073	3/8" X 3.1/2" SPLIT PIN		01
33	0501012916	FLAT WASHER 40 X 66 X 4,75 ZN		01
34		DISCS GANG	4	



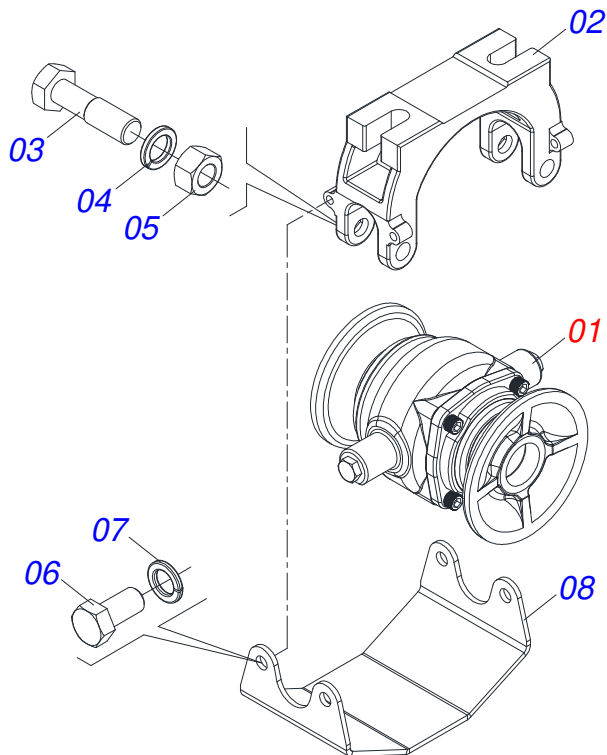
Item	Code	Description	See page	QT
01	0501060670	TRACTION BAR		01
02	0503011084	3/4" X 5" BOLT		02
03	0503011442	3/4" SPRING WASHER		02
04	0503010014	3/4" ZN G.5 (HEAVY) UNC HEX NUT		02
05	0521061775	TRACTOR HITCH		01
06	0501010060	1" X 6-1/2" BOLT		01
07	0503011438	SPRING WASHER		01
08	0501010059	1.5/8 NUT		01
09	0531061946	HITCH BAR		01



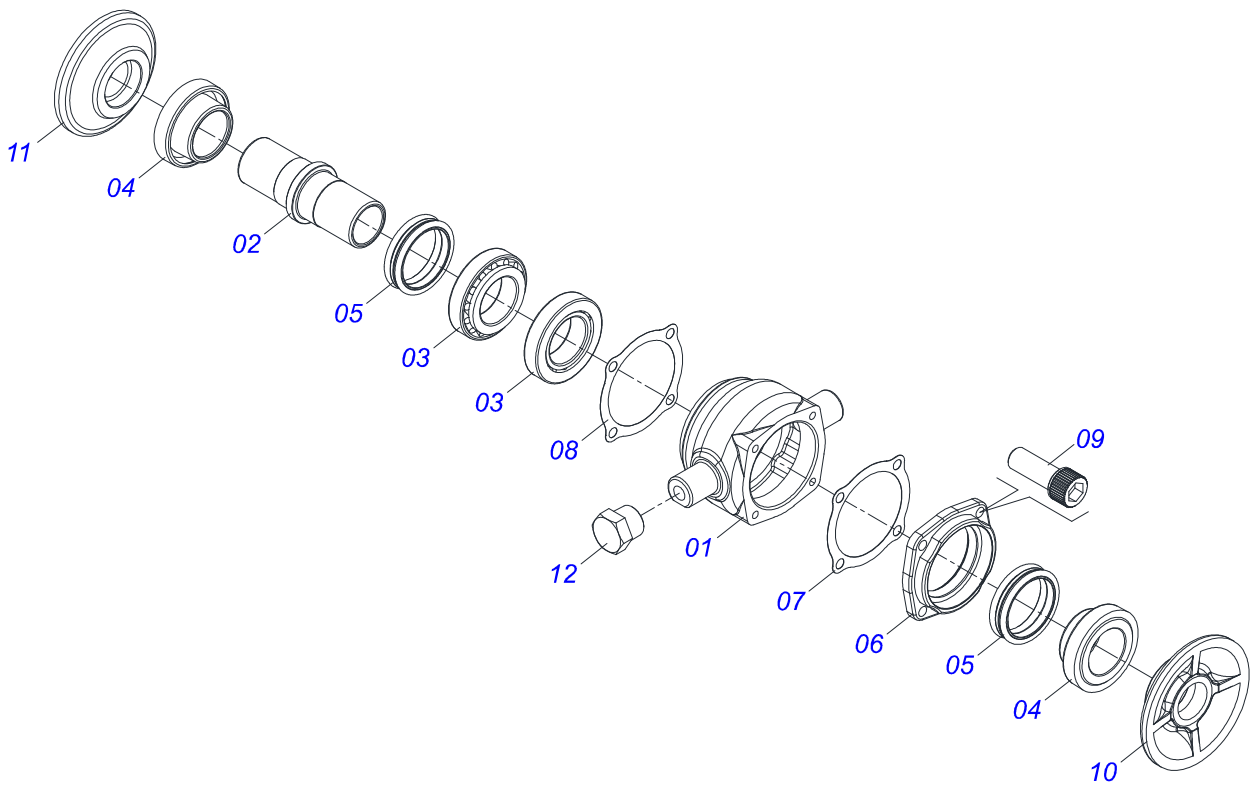
Item	Code	Description	See page	QT
01	0501063302	ADJUSTMENT		01
02	0501063078	ADJUSTMENT LOCK		01
03	0521010624	0.4" X 1.5" COUPLING SHAFT		01
04	0501068981	ADJUSTMENT LEVER		01
05	0503030025	1.4" X 0.2" TORSION SPRING		01
06	0503010071	3/16" X 1" SPLIT PIN		02
07	0501012916	FLAT WASHER 40 X 66 X 4,75 ZN		01
08	0503010073	3/8" X 3.1/2" SPLIT PIN		01



Item	Code	Description	See page	QT
01	0501042618	1.1/4" X 107.08" AXLE W/NUTS		02
01A	0501017162	1.1/4" X 107.08" AXLE		01
01B	0501010087	1.1/4" NUT		02
02	0602029421	DR 22 X 4,5 C64AF02FR1.5/16 10R		16
03	0601029417	DL 22 X 4,5 C64AF02FR1.5/16		14
04	0601027301	DL 20 X 3,5 C57AF02FR1.5/16		02
05	0502020068	6.57" SPACER		24
06	0521047188	182 X 1.1/4 DMO BEARING W/PROTECTION 5 SUPPORT		06
07	0502010834	1-1/4" INNER AXLE WASHER		02
08	0502010835	1-1/4" EXTERNAL AXLE WASHER		02
09	0501010455	1.1/4" NUT LOCK		04
10	0503010395	1/2" X 1-1/4" BOLT		04
11	0501010937	13,50 X 28 X 3,00 FLAT WASHER		04
12	0503011336	1/2" HEX SELF ADJUSTING NUT		04
13	0521059224	SCREW ASSEMBLY		12
13A	0501013233	5/8" X 2-3/4" BOLT		01
13B	0501012140	FLAT WASHER 16,50 X 40 X 4,00 ZN		01
13C	0503010013	5/8 UNC G.5 ZN HEX NUT		02



Item	Code	Description	See page	QT
01	0521050841	AGRICULTURAL BEARING DMO 182 X 1.1/4	6	01
02	0502012854	BEARING SUPPORT 182/192,5		01
03	0501011541	5/8 UNC X 3 CS G.5 ZN1K28066 BOLT		02
04	0503010027	5/8 SPRING WASHER		02
05	0503010013	5/8 UNC G.5 ZN HEX NUT		02
06	0503011334	3/8 UNC X 3/4 CS G.5 ZN BOLT		04
07	0503010025	3/8 SPRING WASHER		04
08	0581014143	SWIVEL OIL BATH BEARING WEAR PLATE		01



Item	Code	Description	See page	QT
01	0502012839	BEARING HOUSING 182/192,5		01
02	0502040060	AXLE CM/DM 182/192,5 SKF 32210		01
03	0503010006	32210 ROLLER BEARING		02
04	0502010541	SEAL HOLDER		02
05	0503030026	SEAL LP JB-253		02
06	0502020424	HOUSING CAP 182/192,225		01
07	0503030013	4.4" X 3.5" X 0.004" JOINT		02
08	0503030684	4.4" X 3.5" X 0.004" JOINT		01
09	0503010134	3/8" X 1" BOLT		04
10	0502010073	OUTER FLANGE		01
11	0502010074	INNER FLANGE		01
12	0503010856	OIL PLUG R 3/8 BSPT		02



MARCHESAN

Technical Publications | Elaboration and Revision

LEONARDO JOSÉ DA SILVA SOUZA

www.marchesan.com.br

