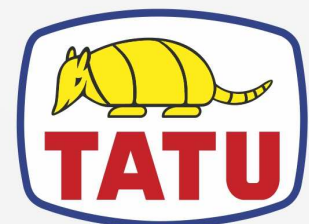


MOUNTED SPRAYER

FALKI 600 M12
FALKI 600 M12

Code: 0501093815
Series: S-0424
Revision: 00
Revision Date: AUGUST/2024

PARTS CATALOGUE



MARCHESAN



PRODUCTS

Code	Working Width	Description
0119040012		FALKI 600 M12 S-0424

ATTENTION: IMPORTANT

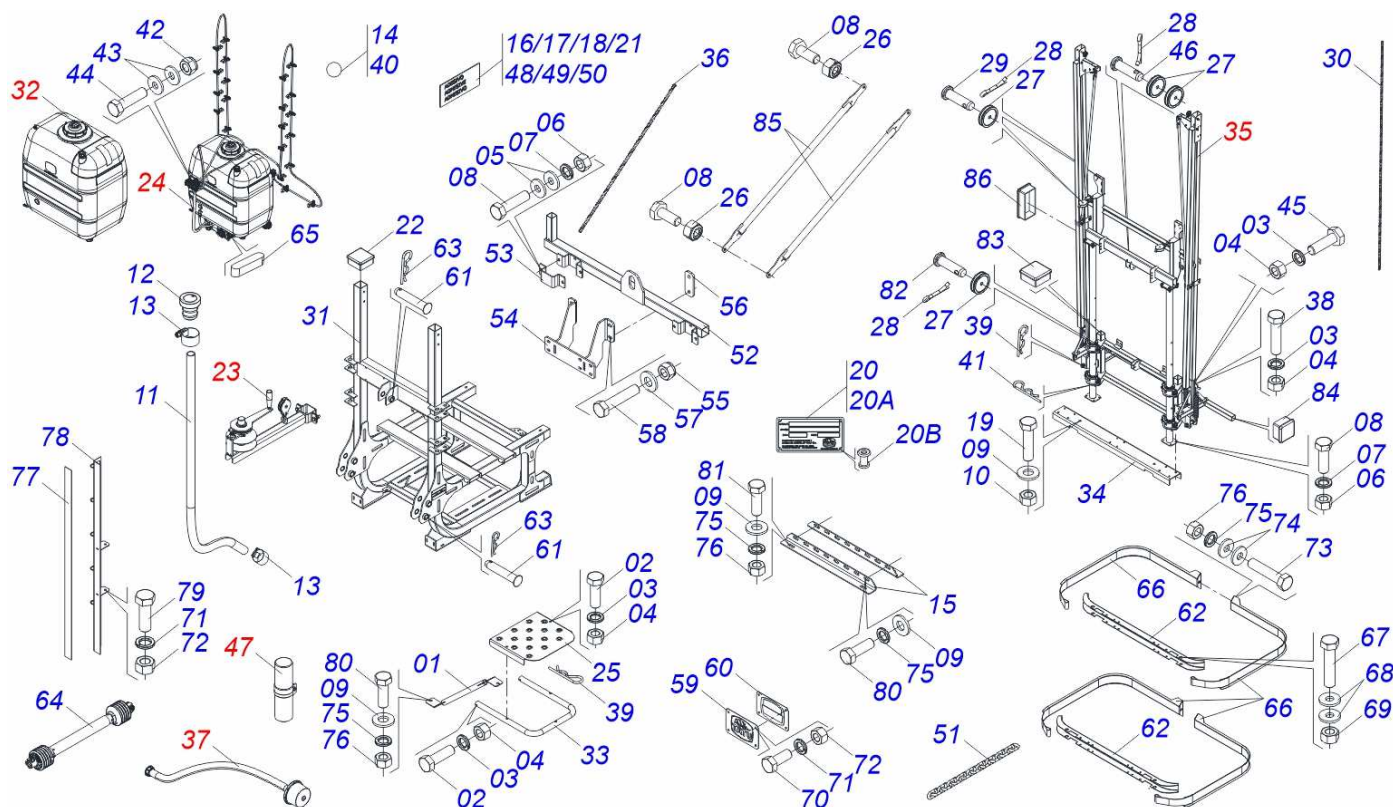
Marchesan S.A. reserves the right to improve and/or modify the technical features of its products, without obligation to do the same with those products already sold and without prior knowledge of the dealer or the customer. The photos are only illustrative.



MARCHESAN

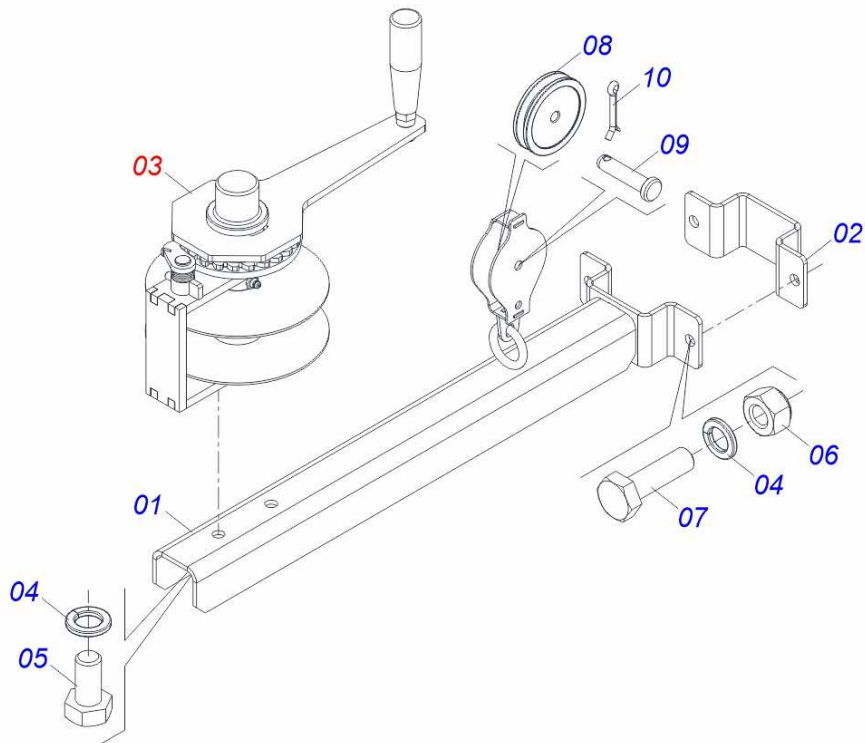
INDEX

0531045857	FALKI 600 M12	1
0541051293	SUPPORT	2
0541050733	RATCHET ARM ASSY	3
0541054478	SPRAYING KIT FALKI 600	4
0541053565	SUPPORT ASSY	5
0541053566	COMPLETE FINAL NOZZLE SUPPORT	6
0541053057	SUPPORT	7
0541054479	600 LITER TANK COMPLETE	8
0541054480	MANUAL BAR SYSTEM 12M	9
0541053567	RIGHT SIDE SUPPORT	10
0541053568	LEFT SIDE SUPPORT	11
0541054481	TOWER SET	12
0541054477	HOSE SET 1.1/2 X 5000 SUCTION	13
0541054464	MANUAL STORAGE TUBE ASSY	14

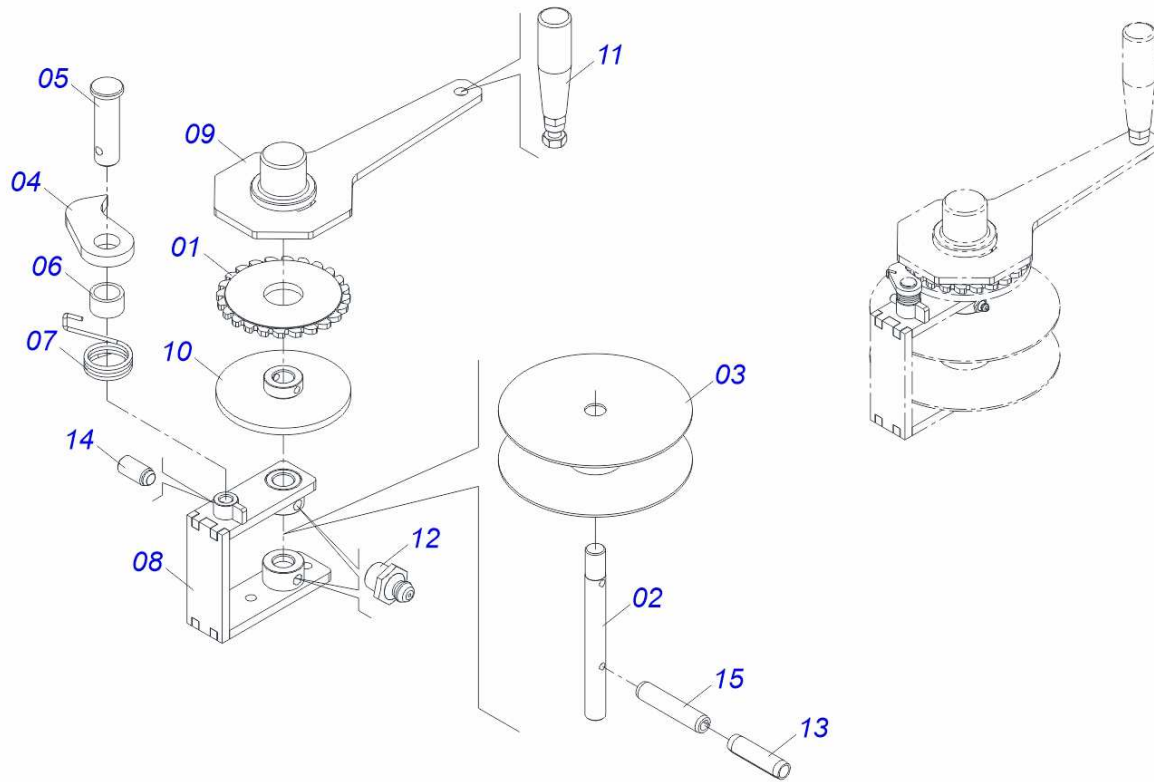


Item	Code	Description	See page	QT
01	0531067347	PLATFORM LOCK		01
02	0503011429	M 8 X 1,25 X 40 BOLT		05
03	0503014371	M8 SPRING WASHER		11
04	0503010427	METRIC M8 X P.0.5" NUT		11
05	0501010984	10,50 X 27 X 3,00 FLAT WASHER		08
06	0503011051	M10 X 0.6" NUT		12
07	0503015075	M10 SPRING WASHER		12
08	0503010188	M10 X 1,5 X 30 BOLT		16
09	0501010937	13,50 X 28 X 3,00 FLAT WASHER		15
10	0503015193	NUT PAIR M12		02
11	0501317099	CRYSTAL HOSE 3/4 X 1100MM TANK LEVEL		01
12	0501319598	3/4 LEVEL HOSE VENT		01
13	0503014255	14 X 22 CLAMP		02
14	3510150525	BALL		01
15	0501317285	PUMP SUPPORT		02
16	0503036799	SAFETY ADHESIVE LABEL		01
17	0503036800	ADHESIVE LABEL ATTENTION		01
18	0503036801	ADHESIVE LABEL ATTENTION BEFORE OPERATING RETIGHTEN		01
19	0503015191	HEX BOLT M12X100		01
20	0521056998	ALUMINUM IDENTIFICATION LABEL WITH RIVET		01
20A	0503034003	61 X 118 SERIAL NUMBER TAG		01
20B	0503010001	RIVET 3,2 X 5,5		04
21	0503031087	AUTO CONTROL APPROVED DECAL		01
22	0513012583	PP INTERNAL TUBE COVER 60 X 60		02
23	0541051293	SUPPORT	2	02
24	0541054478	SPRAYING KIT FALKI 600	4	01
25	0531066745	SUPPORT 300 X 300		01
26	0503011841	M10 SELF ADJUSTING NUT		04
27	0501314383	PULLEY		07
28	0503010426	SPLIT PIN 1/16 X 3/4		06
29	0501316429	PIN WITH HEAD 8 X 30MM		04

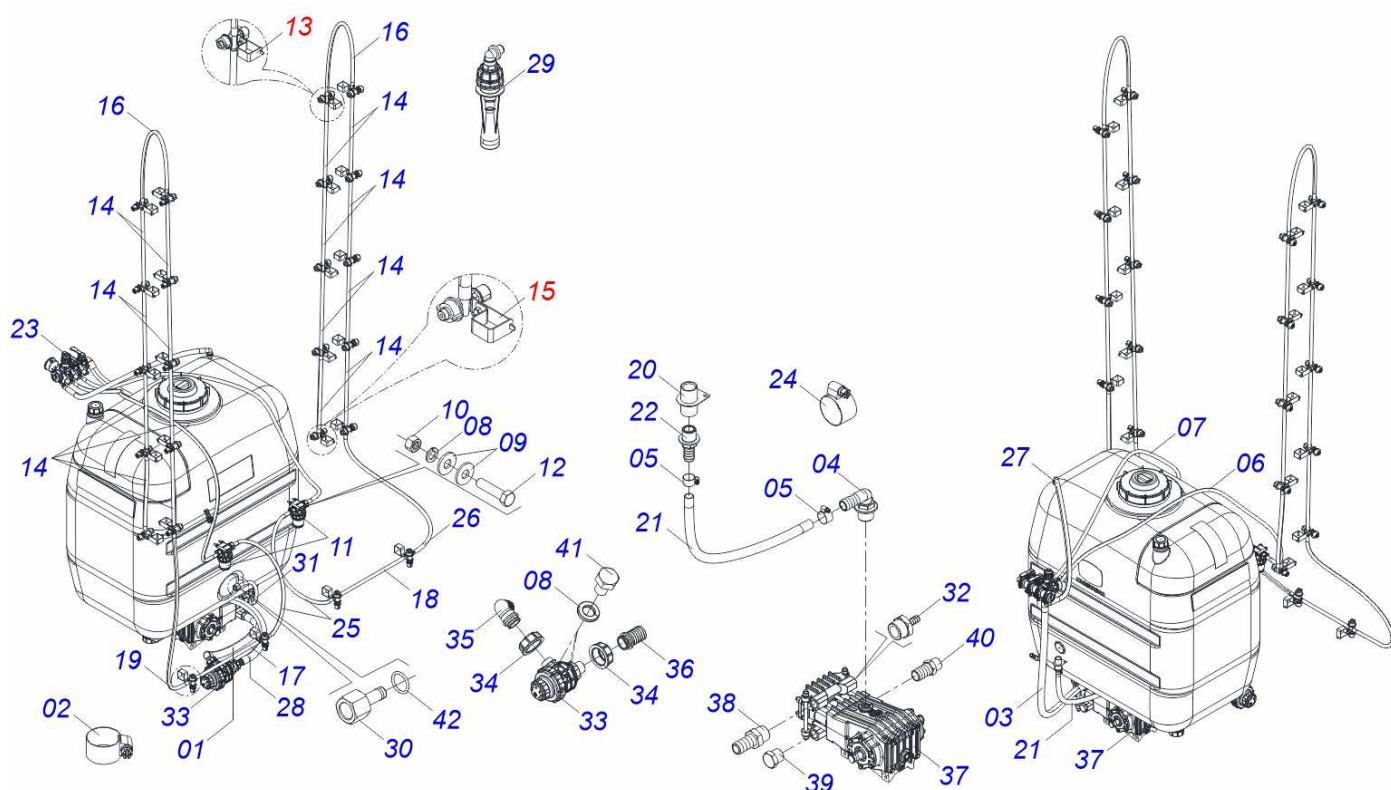
Item	Code	Description	See page	QT
30	0501413268	ROPE 1/4 X 6000MM		01
31	0531068826	SQUARE FRAME PEK/FALKI - 600 V2		01
32	0541054479	600 LITER TANK COMPLETE	8	01
33	0501413118	PLATFORM TUBE		01
34	0501413281	U-BEAM TOWER SUPPORT		01
35	0541054480	MANUAL BAR SYSTEM 12M	9	01
36	0501413269	ROPE 1/4 X 12000MM		02
37	0541054477	HOSE SET 1.1/2 X 5000 SUCTION	13	01
38	0503015116	M8 X 1,25 X 60 BOLT		02
39	0503030168	HITCH PIN CLIP		03
40	0513012030	WATER LEVEL BUOY		01
41	0513012658	COTTER PIN 5/16 X 155 ZB		02
42	0503013759	NUT		04
43	0501010694	FLAT WASHER 8,50 X 18 X 1,50 ZN		08
44	0503010365	BOLT 5/16 UNC X 1.1/4 C S G.5 ZN		04
45	0503011257	M 8 X 1,25 X 30 BOLT		04
46	0501413266	HEAD PIN 8 X 54MM		01
47	0541054464	MANUAL STORAGE TUBE ASSY	14	01
48	0503036804	RIGHT REFLECTIVE TATU ADHESIVE LABEL		01
49	0503036803	LEFT REFLECTIVE TATU ADHESIVE LABEL		01
50	0503036805	MARCHESAN ADHESIVE LABEL		01
51	0503037105	CHAIN ??3.50MM ZN		08
52	0531068820	MANUAL COMMAND SUPPORT		01
53	0501316538	ARM FIXATION STRAP		02
54	0531068104	SOLENOID VALVE SUPPORT		01
55	0503013357	3/8 SELF-ADJUSTING NUT		04
56	0501319935	FIXING PLATE		02
57	0501013518	FLAT WASHER 10,50 X 24 X 1,50 ZN		04
58	0503011141	3/8" X 2-3/4" BOLT		04
59	0503037060	TATU LOGO PLATE		01
60	0503037062	DECAL		01
61	0521010582	COUPLING SHAFT		03
62	0501414328	TANK SUPPORT STRAP		02
63	0503031035	HITCH PIN CLIP		03
64	0503064677	COMPLETE CARDAN WITH PROTECTION		01
65	0513012901	KEY 5/16 X 5/16 X 35 SAE 1045		01
66	0501414329	600 L TANK TIGHTENING STRAP		04
67	0501011543	5/8" X 4" BOLT		04
68	0591011409	FLAT WASHER 16,5 X 35 X 3,00		08
69	0503013389	5/8" SELF LOCKING NUT		04
70	0503037022	BOLT 1/4 UNC X 5/8 RI CS INOX BLACK		04
71	0503010143	1/4" SPRING WASHER		06
72	0503010144	1/4" NUT		08
73	0503013618	BOLT 1/2 UNC X 3.1/2 CSRT G.5 ZN		02
74	0501010937	13,50 X 28 X 3,00 FLAT WASHER		04
75	0503010019	1/2" SPRING WASHER		11
76	0503010060	1/2 UNC G.5 ZN HEX NUT		07
77	0503036802	ADHESIVE LABEL SCALE TANK 600L		01
78	0531069256	600 LEVEL GAUGE SET		01
79	0503010282	1/4" X 3/4" BOLT		04
80	0501010161	BOLT 1/2" UNC X 1.1/4" C S G.2 ZN		05
81	0503010920	1/2 UNC X 1.1/2 C S G.5 ZN BOLT		04
82	0501414931	HEAD PIN 8 X 42MM		01
83	0513012963	INTERNAL PLASTIC LID 50 X 50		02
84	0513012031	TUBE COVER 40 X 40		02
85	0531068754	LOCK		02
86	0513012964	INTERNAL PLASTIC LID 80 X 40		02



Item	Code	Description	See page	QT
01	0531067757	SUPPORT ARM		01
02	0501316538	ARM FIXATION STRAP		01
03	0541050733	RATCHET ARM ASSY	3	01
04	0503015075	M10 SPRING WASHER		04
05	0513010331	M10 X 1,5 X 20 C S 5.6 ZN BOLT		02
06	0503011841	M10 SELF ADJUSTING NUT		02
07	0503015130	M10 X 1,5 X 35 C S 8.8 ZN BOLT		02
08	0501314383	PULLEY		01
09	0501316429	PIN WITH HEAD 8 X 30MM		01
10	0503010140	1/8" X 3/4" SPLIT PIN		01



Item	Code	Description	See page	QT
01	0501313322	GEAR 24D		01
02	0501313386	PIN		01
03	0531066514	REEL		01
04	0501313321	SUPPORT		01
05	0501313384	HEAD PIN 9.5 X 35MM		01
06	0501313465	TUBE		01
07	0503036846	SPRING		01
08	0531066512	SUPPORT		01
09	0531066510	LEVER ARM COMPLETE		01
10	0531066518	FRICTION DISC		01
11	0503011312	ROTATIVE CABLE		01
12	0503010002	1800 GREASE FITTING		02
13	0503010585	0,24" X 1.18" SPRING PIN		01
14	0503013958	1/4" X 1" BOLT		01
15	0503010292	701164 6 X 40 SPRING PIN		01



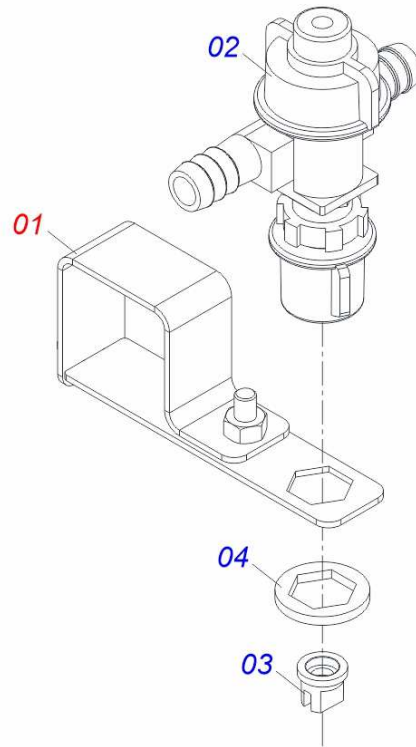
Item	Code	Description	See page	QT
01	0501413205	SPIRAL HOSE 1.1/4 X 600MM SUCTION		01
02	0503019481	HOSE CLAMP		09
03	0501410407	HOSE 1 X 2000 PRESSURE AB SANSUY BLACK		01
04	0503019488	G 3/4 CURVE CONNECTOR		01
05	0503014255	14 X 22 CLAMP		02
06	0501317101	HOSE 1/2 X 1750MM CONTROL / FILTER LE ROW		01
07	0501317102	HOSE 1/2 X 1800MM CONTROL / FILTER ROW LD		01
08	0503014371	M8 SPRING WASHER		07
09	0501010694	FLAT WASHER 8,50 X 18 X 1,50 ZN		08
10	0503010427	METRIC M8 X P.0.5" NUT		04
11	0503064205	3/4 THREAD LINE FILTER		02
12	0503018737	BOLT M8 X 1,25 X 80 GRAU 5.8 - RP ZN		04
13	0541053565	SUPPORT ASSY	5	22
14	0501410240	HOSE 1/2 X 450 AB AB SANSUY BLACK		18
15	0541053566	COMPLETE FINAL NOZZLE SUPPORT	6	02
16	0501410287	HOSE 1/2 X 700 AB AB SANSUY BLACK		02
17	0501410240	HOSE 1/2 X 450 AB AB SANSUY BLACK		01
18	0501410240	HOSE 1/2 X 450 AB AB SANSUY BLACK		01
19	0501410296	HOSE 1/2 X 1000 AB AB SANSUY BLACK		01
20	0531067521	PUMP SUPPLY ASSEMBLY		01
21	0501318010	3/4 CRYSTAL HOSE		01
22	0503019490	STRAIGHT CONNECTION G3/4 M D20		01
23	0503064624	MANUAL CONTROL 2V T5		01
24	0503015811	WORM THREAD CLAMP 13-19 9 MM		54
25	0501410294	HOSE 1/2 X 600 AB AB SANSUY BLACK		02
26	0501410296	HOSE 1/2 X 1000 AB AB SANSUY BLACK		01
27	0501317116	LOCKED HOSE 1 X 500MM COMMAND RETURN		01
28	0501413230	SPIRAL HOSE 1.1/4 X 700 SUCTION		01
29	0503064430	AGITATOR		01
30	0503018847	INTERNAL THREAD CONNECTOR 1/2 NPT X HOSE NOZZLE 1/2		01
31	0501410421	HOSE 1/2 X 650 AB AB SANSUY BLACK		01



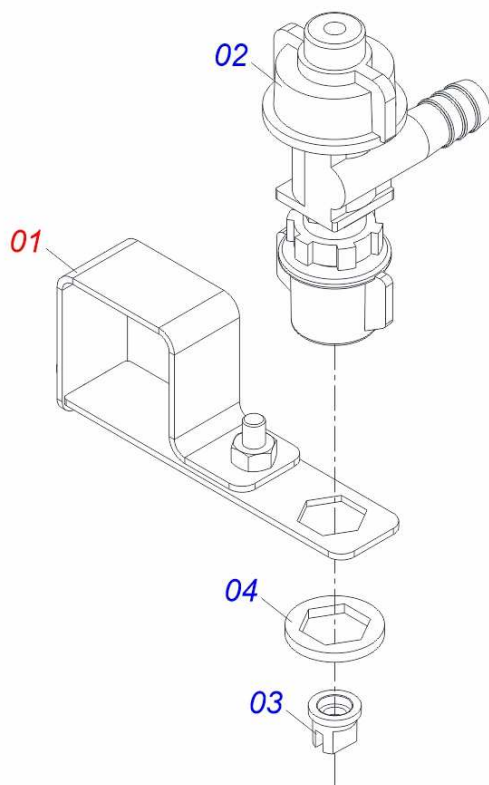
FALKI 600 M12
SPRAYING KIT FALKI 600

Page 4
0541054478

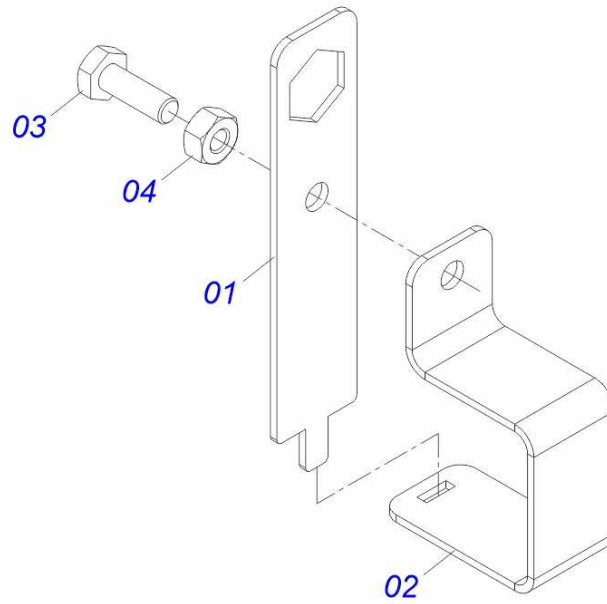
Item	Code	Description	See page	QT
32	0501413206	NIPPLE R1 NPT		01
33	0503064607	SUCTION FILTER M710 R 1.1/4		01
34	0513011450	NUT TYPE CONNECTION G1 1/4		02
35	0513012761	D32 CURVE TYPE CONNECTION NUT G1.1/4 116533.25		01
36	0513011449	STRAIGHT CONNECTION D.32 FOR NUT 1 1/4 WITH RING		01
37	0503064648	M75 TATU PUMP ASSEMBLY		01
38	0501414862	NIPPLE 1 BSPT X SPIKE 1 X 85		01
39	0501414865	PLUG 1 BSPT HEX 1.1/2		01
40	0501414863	HYDRAULIC NIPPLE 1 BSPT		01
41	0503015115	M8 X 1,25 X 12 BOLT		03
42	0513011459	O-RING 2.62 X 20.24 X 25.48		01



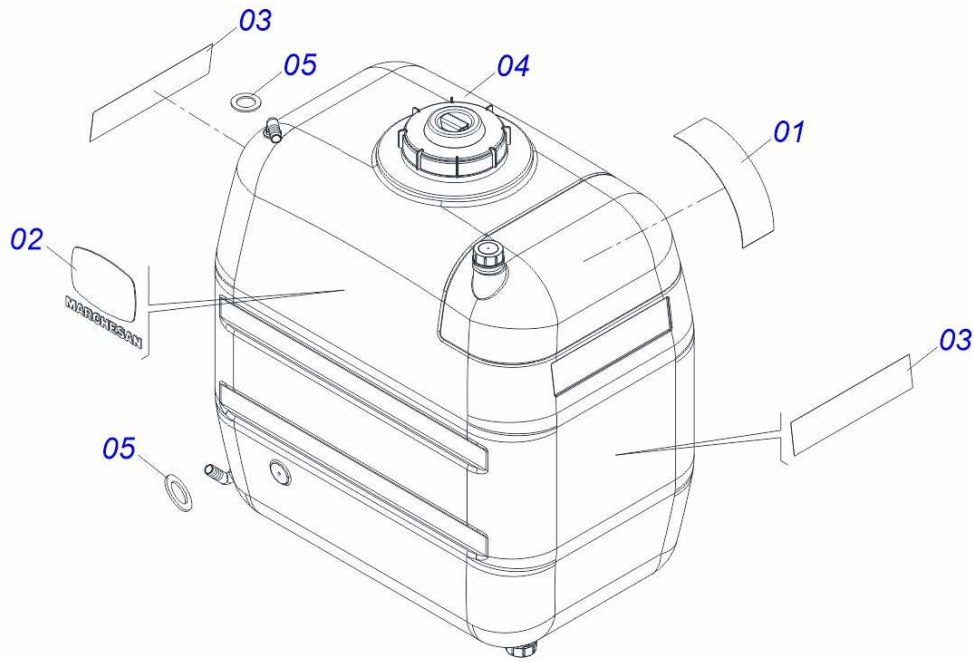
Item	Code	Description	See page	QT
01	0541053057	SUPPORT	7	01
02	0513012027	NOZZLE HOLDERS		01
03	0513012458	SPRAYER TIP MJ302 - TP 11002		01
04	0501414755	WASHER SHIM NOZZLE HOLDER		01



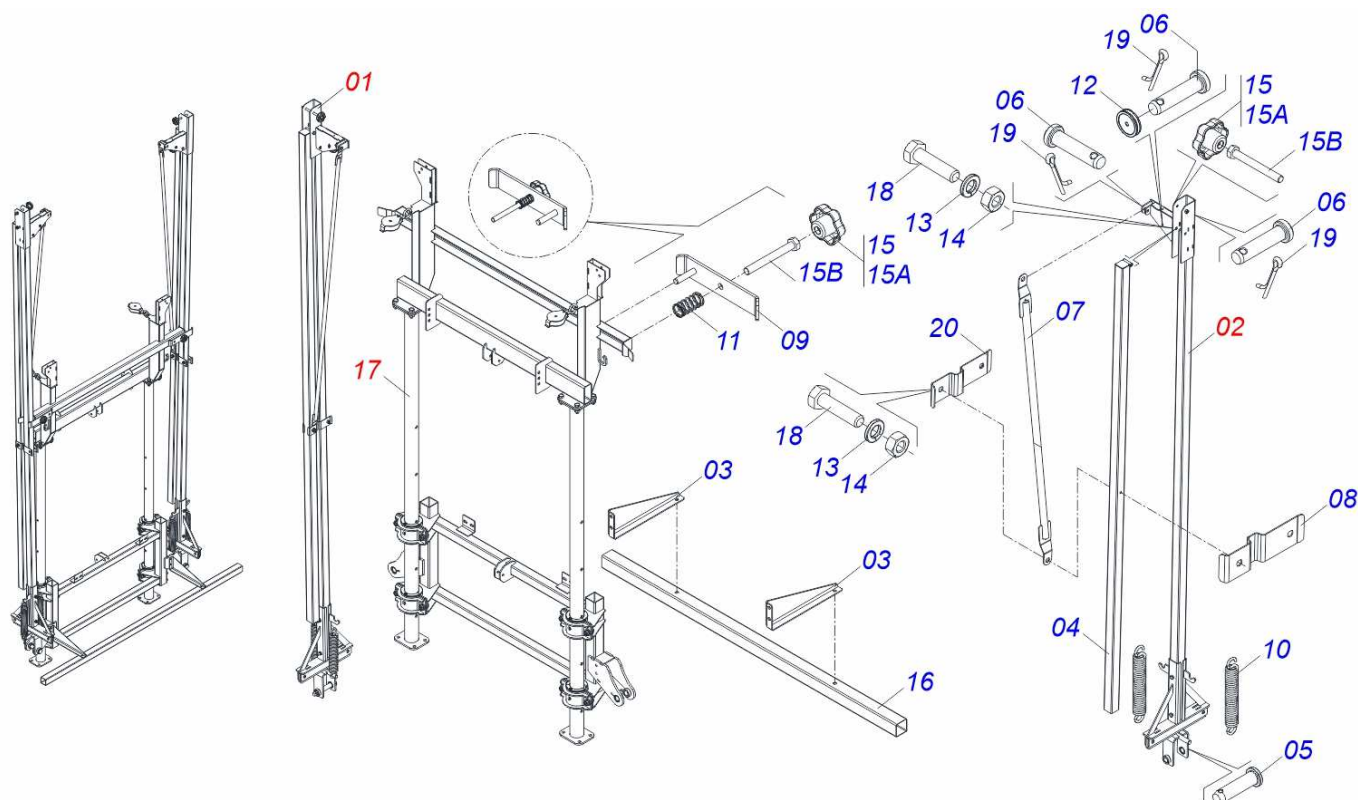
Item	Code	Description	See page	QT
01	0541053057	SUPPORT	7	01
02	0513012028	NOZZLE HOLDERS		01
03	0513012458	SPRAYER TIP MJ302 - TP 11002		01
04	0501414755	WASHER SHIM NOZZLE HOLDER		01



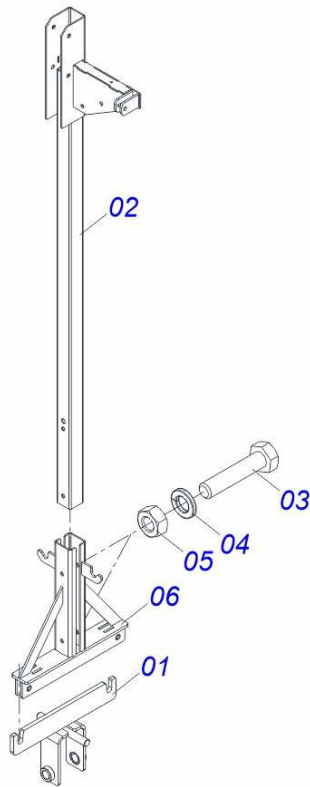
Item	Code	Description	See page	QT
01	0501316541	SUPPORT NOZZLE HOLDER		01
02	0501316542	SUPPORT NOZZLE HOLDER		01
03	0503010282	1/4" X 3/4" BOLT		01
04	0503010144	1/4" NUT		01



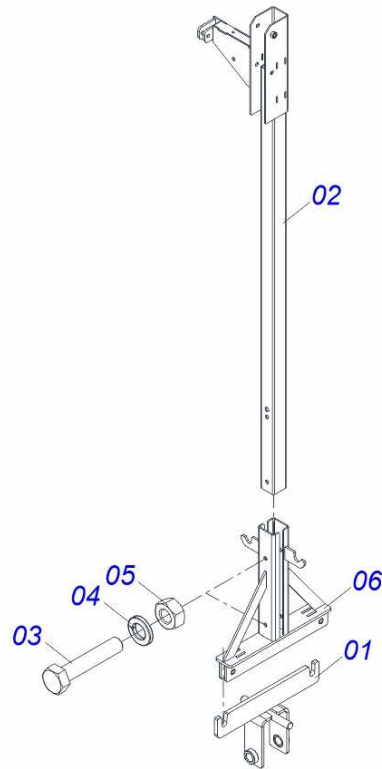
Item	Code	Description	See page	QT
01	0503036806	TANK LID SAFETY ADHESIVE LABEL		01
02	0503036808	FRONT TATU ADHESIVE LABEL		01
03	0503036903	FALKI 600 ADHESIVE LABEL		02
04	0503018930	AGRICULTURAL SPRAYER TANK		01
05	0513012659	FLAT JOINT 21.0 X 33.0 X 2.0		02



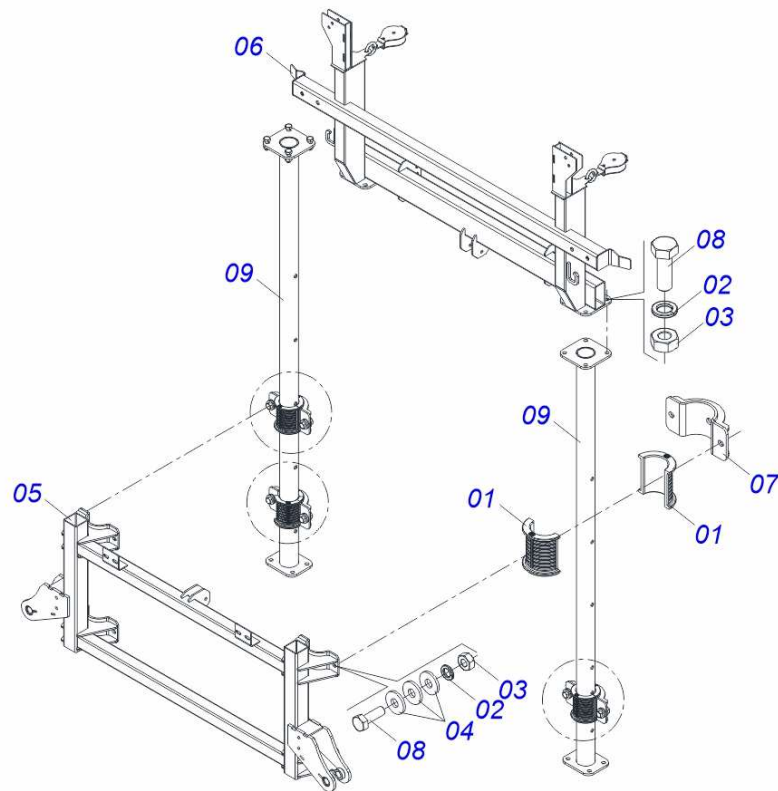
Item	Code	Description	See page	QT
01	0541053567	RIGHT SIDE SUPPORT	10	01
02	0541053568	LEFT SIDE SUPPORT	11	01
03	0501316441	CENTRAL BAR FIXING SUPPORT		02
04	0531066621	SECOND PART MANUAL BAR		02
05	0501316481	HEAD PIN 19.05 X 110 MM		02
06	0501316429	PIN WITH HEAD 8 X 30MM		06
07	0531067768	MANUAL BAR LOCK		02
08	0501316477	SUPPORT		02
09	0511073989	MANUAL BAR FASTENER		02
10	0503036847	TRACTION SPRING 36 X 220 X 6.35		04
11	0503036848	COMPRESSION SPRING 14 X 29 X 1.2		02
12	0501314383	PULLEY		02
13	0503014371	M8 SPRING WASHER		04
14	0503010427	METRIC M8 X P.0.5" NUT		04
15	0541053629	HANDLE WITH 5/16 X 4 ZN SCREW MSP1002		04
15A	0513012591	KNOB 5/16 MSP1002		01
15B	0513012654	BOLT 5/16 X 4 UNC CS RT G5		01
16	0501313416	TUBE 40 X 40 X 1540		01
17	0541054481	TOWER SET	12	01
18	0503015116	M8 X 1,25 X 60 BOLT		04
19	0503010426	SPLIT PIN 1/16 X 3/4		06
20	0531069009	FIXING		02



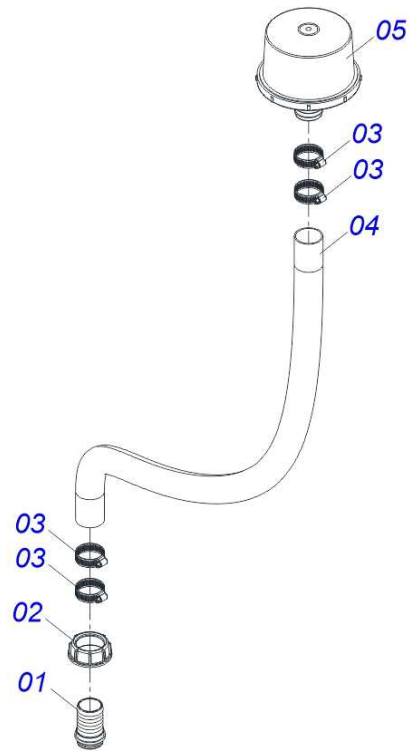
Item	Code	Description	See page	QT
01	0531067756	SUPPORT		01
02	0531066617	RIGHT SIDE MANUAL BAR		01
03	0513010618	M8 X 1,25 X 65 C S 8.8 ZN BOLT		02
04	0503014371	M8 SPRING WASHER		02
05	0503010427	METRIC M8 X P.0.5" NUT		02
06	0531067992	BAR FIXER		01



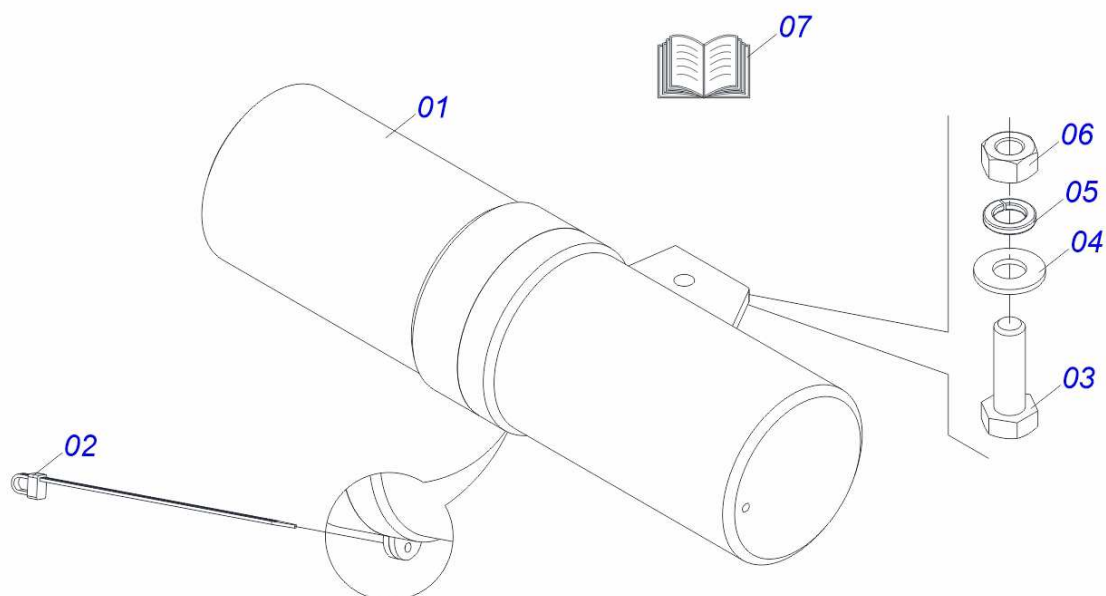
Item	Code	Description	See page	QT
01	0531067756	SUPPORT		01
02	0531067361	LEFT SIDE BAR		01
03	0513010618	M8 X 1,25 X 65 C S 8.8 ZN BOLT		02
04	0503014371	M8 SPRING WASHER		02
05	0503010427	METRIC M8 X P.0.5" NUT		02
06	0531067992	BAR FIXER		01



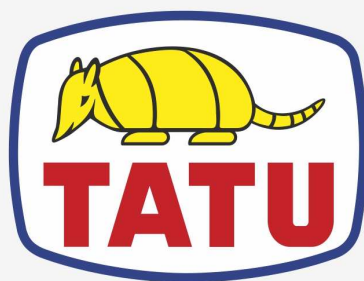
Item	Code	Description	See page	QT
01	0503036575	NYLON BUSH		08
02	0503015075	M10 SPRING WASHER		16
03	0503011051	M10 X 0.6" NUT		16
04	0501010984	10,50 X 27 X 3,00 FLAT WASHER		24
05	0531068640	FRAME		01
06	0531066614	SUPPORT		01
07	0531068827	CLAMP		04
08	0503010188	M10 X 1,5 X 30 BOLT		16
09	0531068639	GALVANIZED ARM		02



Item	Code	Description	See page	QT
01	0503019653	(SP3-106638) STRAIGHT CONNECTION		01
02	0503019645	(SP3-2002060) NUT TYPE CONNECTION		01
03	0503019651	(592-SPF-016-027) 1.1/2 HOSE CLAMP		04
04	0501413172	SPIRAL HOSE 1.1/2 X 5000 AB -AB		01
05	0513012045	SUPPLY FILTER 1 1/2 CONNECTION MODE		01



Item	Code	Description	See page	QT
01	0503060100	SUPPORT INSTRUCTION MANUAL		01
02	0503010267	NYLON CLAMP 3,60 X 1,3 X 155 MM		01
03	0503010363	BOLT 5/16 UNC X 1 C S G.2 ZN		01
04	0501010694	FLAT WASHER 8,50 X 18 X 1,50 ZN		01
05	0503010179	LOCK WASHER 5/16 ZN 1K01528		01
06	0503010337	NUT 5/16 UNC G.5 ZN		01
07	0511035032	PLASTIC COVER WITH INSTRUCTIONS MANUAL		01



MARCHESAN

Technical Publications | Elaboration and Revision

ALESSANDRA PATRICIA KAWAHARA CARRILI

www.marchesan.com.br

