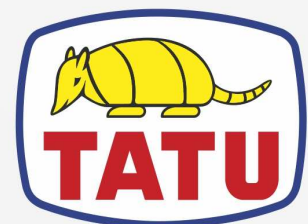


AUXILIARY PRODUCTS

**PAC/LDA - ACCESSORIES FOR PLAINERS
ACESSORIOS PARA PLAINAS - PAC/LDA**

Code: 0501093796
Series: S-0822
Revision: 00
Revision Date: JANUARY/2024

**PARTS
CATALOGUE**

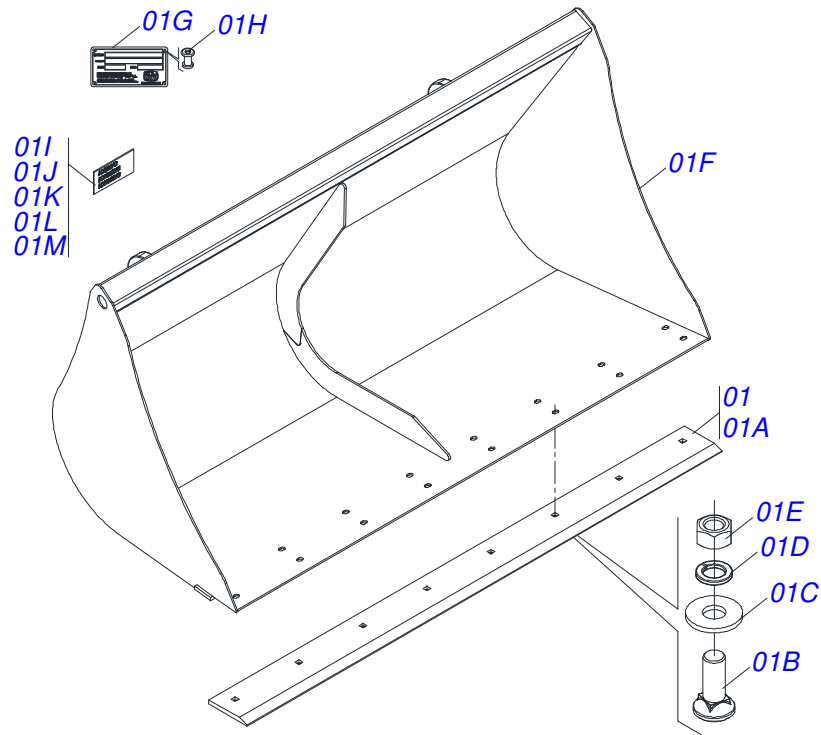


MARCHESAN

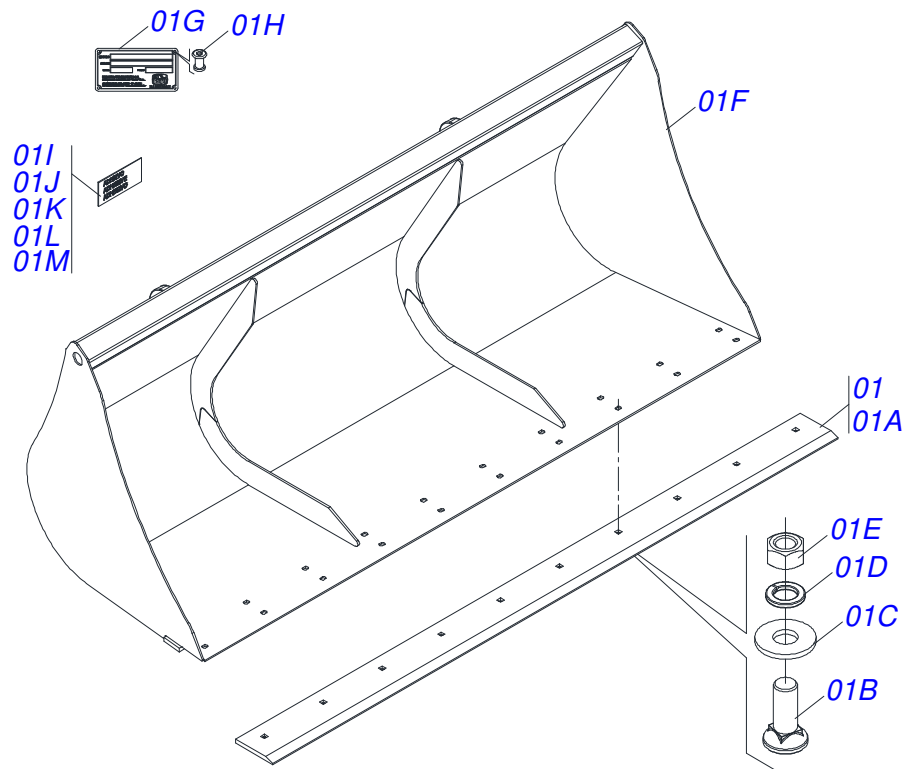


INDEX

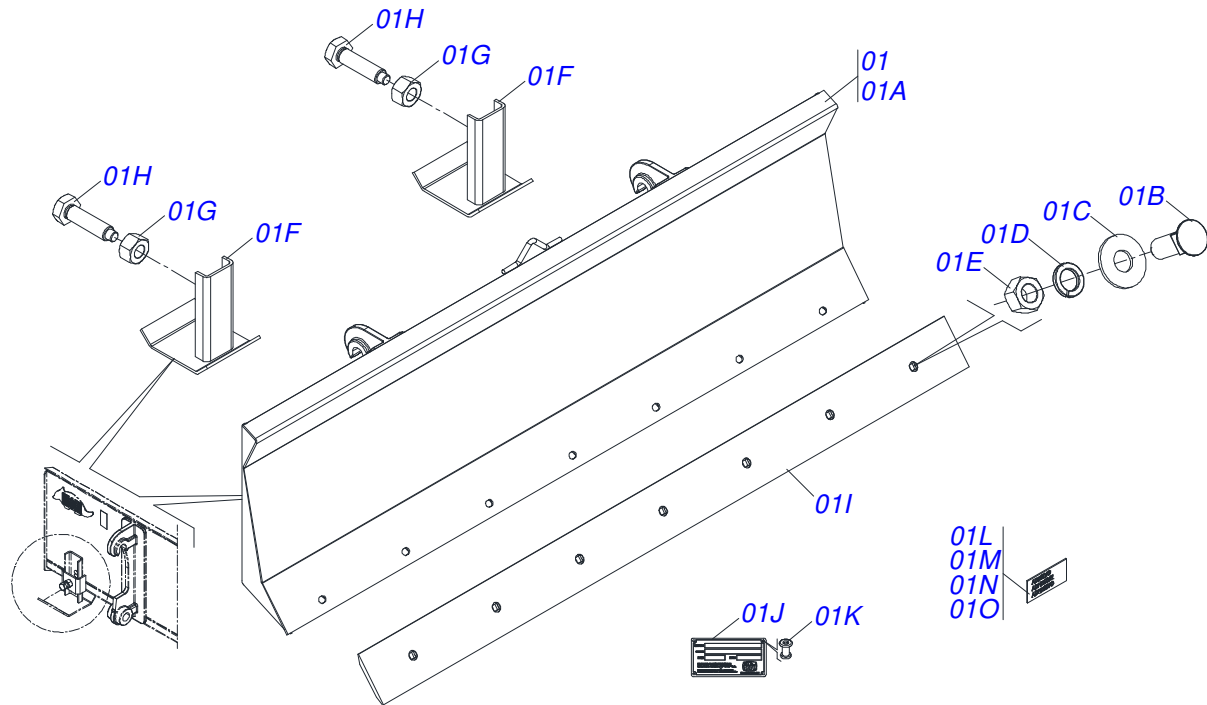
0531044018	PAC 1700 ASSY	1
0531044017	PAC 2100 ASSY	2
0531044016	LDA 2200 ASSY	3
0531044015	LDA 2400 ASSY	4
0531044014	LDA 2400 WITHOUT SUPPORT	5
0531044012	LDA 2600 ASSY	6
0531044013	LDA 2600 WITHOUT SUPPORT	7



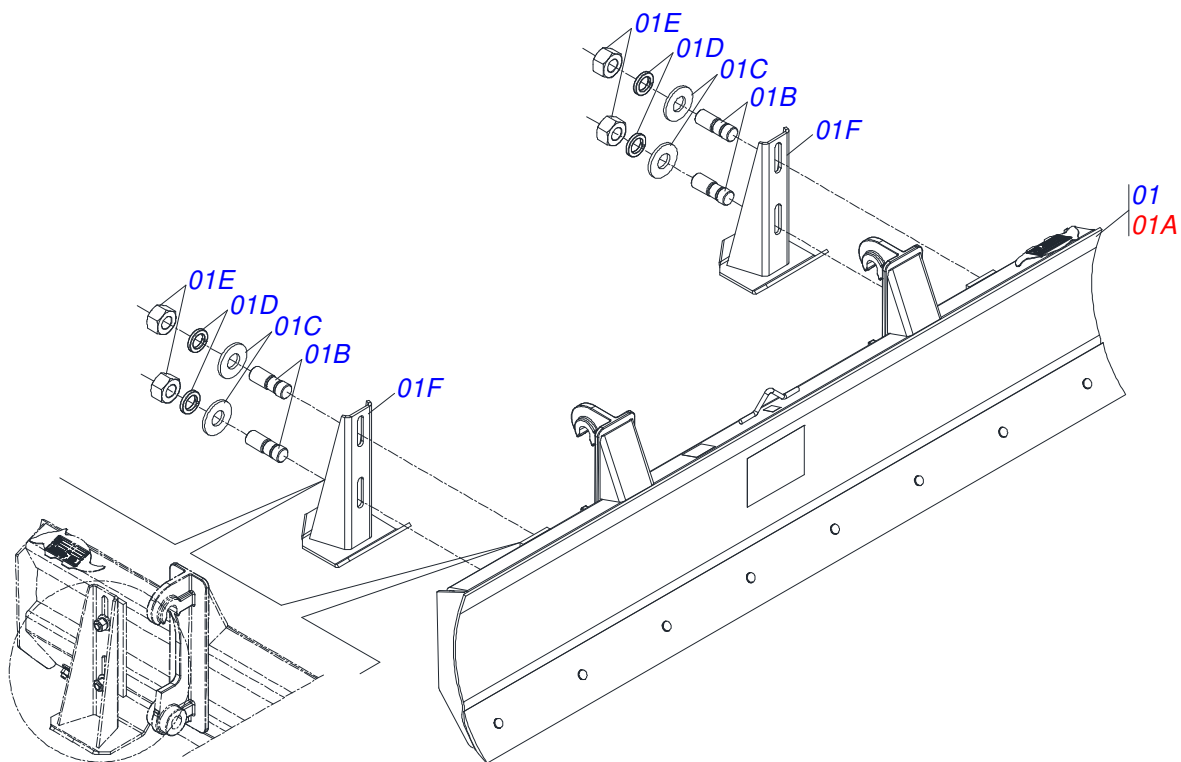
Item	Code	Description	See page	QT
01	0541051335	PAC 1700 SEMI COMPLETE		01
01A	0622360007	1700 SCRAPER BUCKET		01
01B	0503012956	1/2" X 1-1/2" BOLT		08
01C	0511017302	FLAT WASHER 13,50 X 32,50 X 3,0 ZN		08
01D	0503011440	SPRING WASHER		08
01E	0503012682	1/2" BSW NUT		08
01F	0531065146	1700 BUCKET		01
01G	0503034003	61 X 118 SERIAL NUMBER TAG		01
01H	0503010001	RIVET 3,2 X 5,5		04
01I	0503036237	SAFETY REMOVE SHELL IN MOTION DECAL		01
01J	0503036240	SAFETY DO NOT CLIMB ON THE RAISED SHELL DECAL		01
01K	0503033429	ADHESIVE LABEL		01
01L	0503034078	LIFTING POINTS DECAL		02
01M	0503031087	AUTO CONTROL APPROVED DECAL		01



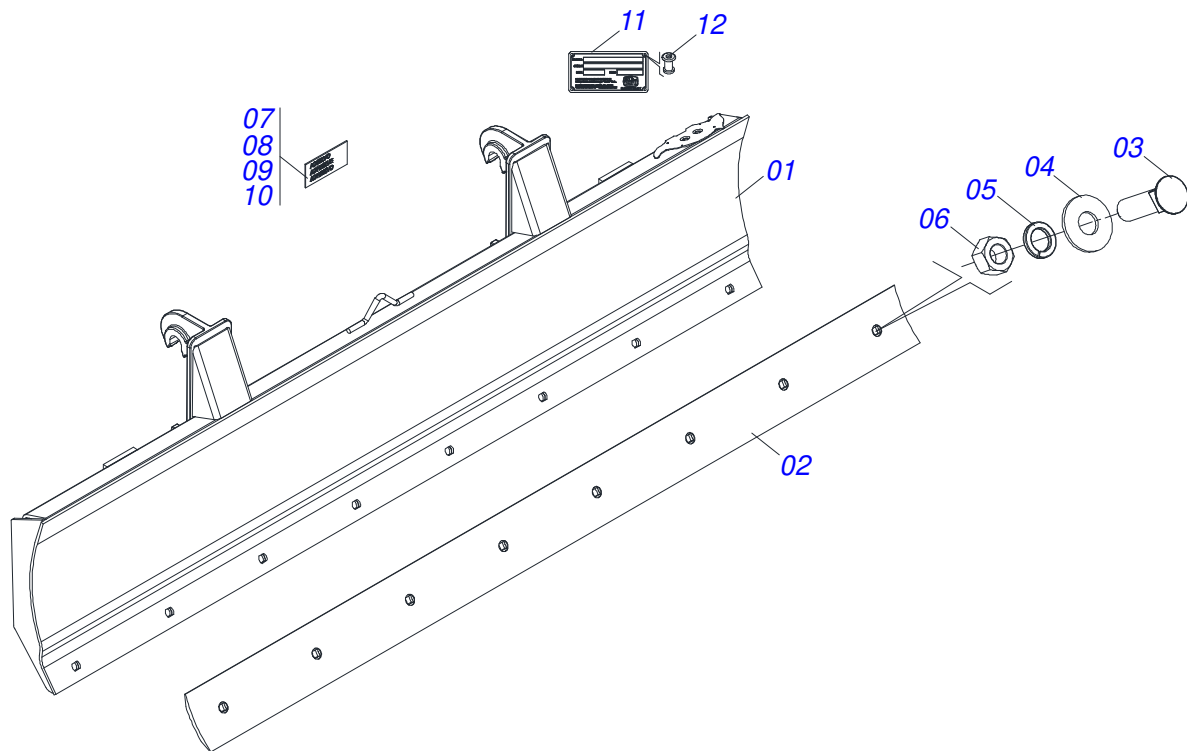
Item	Code	Description	See page	QT
01	0541051357	PAC 2100 SEMI MOUNTED		01
01A	0571018131	2105 BUCKET SCRAPER		01
01B	0503012956	1/2" X 1-1/2" BOLT		10
01C	0511017302	FLAT WASHER 13,50 X 32,50 X 3,0 ZN		10
01D	0503011440	SPRING WASHER		10
01E	0503012682	1/2" BSW NUT		10
01F	0531065145	BUCKET 2100		01
01G	0503034003	61 X 118 SERIAL NUMBER TAG		01
01H	0503010001	RIVET 3,2 X 5,5		04
01I	0503036237	SAFETY REMOVE SHELL IN MOTION DECAL		01
01J	0503036240	SAFETY DO NOT CLIMB ON THE RAISED SHELL DECAL		01
01K	0503033429	ADHESIVE LABEL		01
01L	0503034078	LIFTING POINTS DECAL		02
01M	0503031087	AUTO CONTROL APPROVED DECAL		01



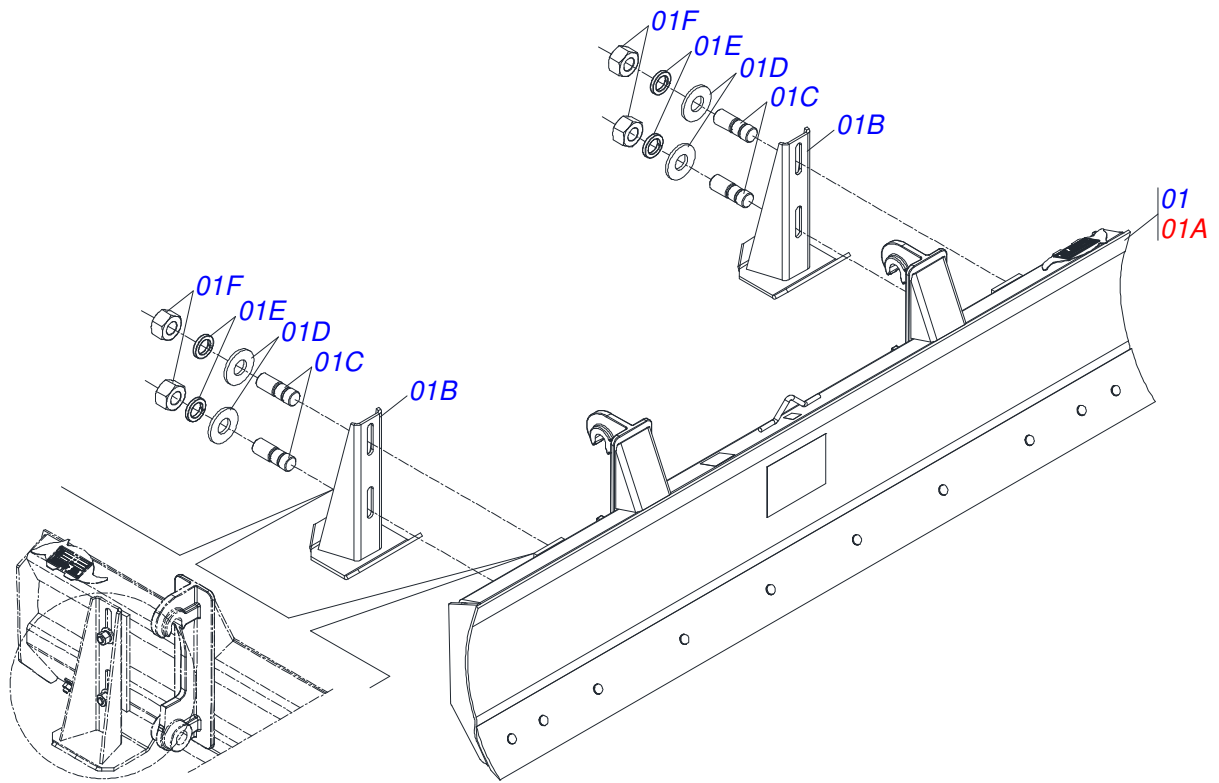
Item	Code	Description	See page	QT
01	0541051374	LDA 2200 SEMI MOUNTED		01
01A	0531065136	2200 FRONT BLADE		01
01B	0501012239	5/8" X 1.3/4" BOLT		07
01C	0571010265	16.5 X 40 X 3 FLAT WASHER		07
01D	0503010027	5/8 SPRING WASHER		07
01E	0503010013	5/8 UNC G.5 ZN HEX NUT		07
01F	0531065135	STABILIZER SUPPORT		02
01G	0503010014	3/4" ZN G.5 (HEAVY) UNC HEX NUT		02
01H	0501018246	3/4" X 3" BOLT		02
01I	0531019518	SCRAPER 2220 X 6 X 1/2		01
01J	0503034003	61 X 118 SERIAL NUMBER TAG		01
01K	0503010001	RIVET 3,2 X 5,5		04
01L	0503036241	SAFETY CAUTION SHOCK HAZARD DECAL		01
01M	0503033429	ADHESIVE LABEL		01
01N	0503031087	AUTO CONTROL APPROVED DECAL		01
01O	0503034078	LIFTING POINTS DECAL		01



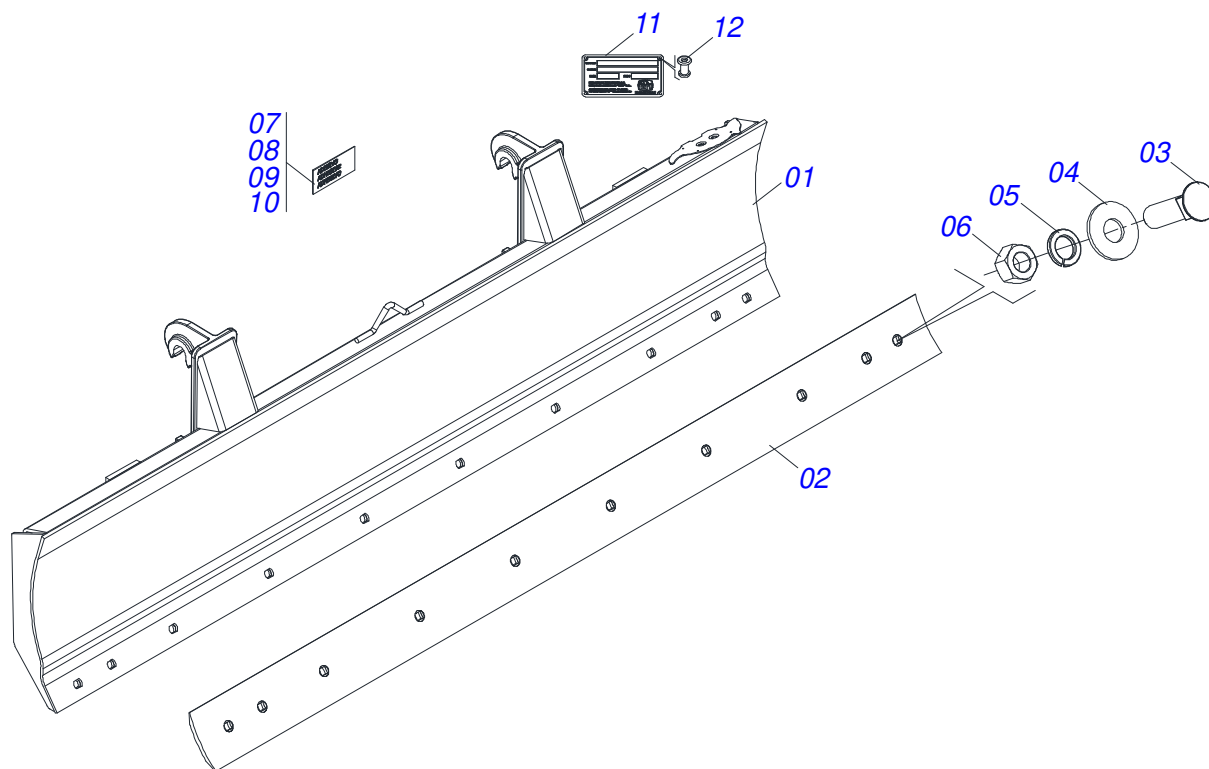
Item	Code	Description	See page	QT
01	0531045295	LDA 2400 SEMI MOUNTED		01
01A	0531044014	LDA 2400 WITHOUT SUPPORT	5	01
01B	0561016756	3/4 UNC X 3/4 UNC X 56 PRISONER		04
01C	0501010322	20,50 X 46 X 4,00 ZN FLAT WASHER		04
01D	0503010023	3/4" SPRING WASHER		04
01E	0503010014	3/4" ZN G.5 (HEAVY) UNC HEX NUT		04
01F	0531065140	STABILIZER SUPPORT		02



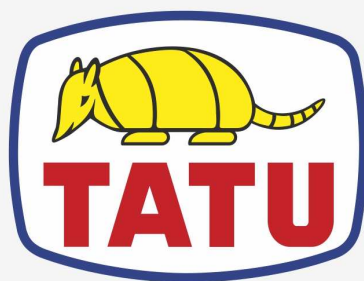
Item	Code	Description	See page	QT
01	0531065141	2400 FRONT BLADE		01
02	0622360016	94.5" SCRAPER REVERSIBLE		01
03	0501012240	BOLT		08
04	0501012140	FLAT WASHER 16,50 X 40 X 4,00 ZN		08
05	0503011445	SPRING WASHER		08
06	0503010013	5/8 UNC G.5 ZN HEX NUT		08
07	0503031087	AUTO CONTROL APPROVED DECAL		01
08	0503033429	ADHESIVE LABEL		01
09	0503036241	SAFETY CAUTION SHOCK HAZARD DECAL		01
10	0503034078	LIFTING POINTS DECAL		01
11	0503034003	61 X 118 SERIAL NUMBER TAG		01
12	0503010001	RIVET 3,2 X 5,5		04



Item	Code	Description	See page	QT
01	0531045294	LDA 2600 SEMI MOUNTED		01
01A	0531044013	LDA 2600 WITHOUT SUPPORT	7	01
01B	0531065140	STABILIZER SUPPORT		02
01C	0561016756	3/4 UNC X 3/4 UNC X 56 PRISONER		04
01D	0501010322	20,50 X 46 X 4,00 ZN FLAT WASHER		04
01E	0503010023	3/4" SPRING WASHER		04
01F	0503010014	3/4" ZN G.5 (HEAVY) UNC HEX NUT		04



Item	Code	Description	See page	QT
01	0531065150	2600 FRONT BLADE		01
02	0622360011	2600 SCRAPER REVERSIBLE		01
03	0501012240	BOLT		10
04	0501012140	FLAT WASHER 16,50 X 40 X 4,00 ZN		10
05	0503011445	SPRING WASHER		10
06	0503010013	5/8 UNC G.5 ZN HEX NUT		10
07	0503031087	AUTO CONTROL APPROVED DECAL		01
08	0503033429	ADHESIVE LABEL		01
09	0503036241	SAFETY CAUTION SHOCK HAZARD DECAL		01
10	0503034078	LIFTING POINTS DECAL		01
11	0503034003	61 X 118 SERIAL NUMBER TAG		01
12	0503010001	RIVET 3,2 X 5,5		04



MARCHESAN

Technical Publications | Elaboration and Revision

ALESSANDRA PATRICIA KAWAHARA CARRILI

www.marchesan.com.br

