

OFFSET DISK HARROW

ATCR 32/36/40/44D
ATCR 32/36/40/44D

Code: 0501093789
Series: S-1223
Revision: 00
Revision Date: JANUARY/2024

PARTS CATALOGUE



MARCHESAN



PRODUCTS

Code	Working Width	Description
0102440632C		ATCR 32 X 24 X 6,00 DR DMO E 1.5/8 EXP S-1223
0102440631		ATCR 32 X 24 X 6,00 DR DMO E 1.5/8 S-1223
0102440632		ATCR 32 X 24 X 6,00 DR DMO E 1.5/8 S-1223
0102440652		ATCR 32 X 26 X 6,00 DR DMO E 1.5/8 C/PROT PN400/60 S-1223
0102440645C		ATCR 32 X 26 X 6,00 DR DMO E 1.5/8 PN400/60 EXP S-1223
0102440646		ATCR 32 X 26 X 6,00 DR DMO E 1.5/8 PN400/60 S-1223
0102440645		ATCR 32 X 26 X 6,00 DR DMO E 1.5/8 PN400/60 S-1223
0102440627C		ATCR 32 X 28 X 6,00 DR DMO E 1.5/8 PN400/60 EXP S-1223
0102440627		ATCR 32 X 28 X 6,00 DR DMO E 1.5/8 PN400/60 S-1223
0102440610		ATCR 32 X 28 X 7,50 DR DMO E 1.5/8 PN400/60 S-1223
0102440623C		ATCR 36 X 24 X 6,00 DR DMO E 1.5/8 PN400/60 EXP S-1223
0102440623		ATCR 36 X 24 X 6,00 DR DMO E 1.5/8 PN400/60 S-1223
0102440615		ATCR 36 X 26 X 6,00 DMO E 1.5/8 S/RODA/DISCO S-1223
0102440626C		ATCR 36 X 26 X 6,00 DR DMO E 1.5/8 PN400/60 EXP S-1223
0102440626		ATCR 36 X 26 X 6,00 DR DMO E 1.5/8 PN400/60 S-1223
0102440648		ATCR 36 X 26 X 6,00 DR DMO E 1.5/8 PN 400/60 FF S-1223
0102440655C		ATCR 36 X 28 X 6,00 DR DMO E 1.5/8 PN 400/60 EXP S-1223
0102440655		ATCR 36 X 28 X 6,00 DR DMO E 1.5/8 PN 400/60 S-1223
0102440658		ATCR 40 X 24 X 6,00 DR DMO E 1.5/8 PN400/60 FF S-1223
0102440659C		ATCR 40 X 26 X 6,00 DL DMO E 1.5/8 ESP EXP S-1223
0102440659		ATCR 40 X 26 X 6,00 DL DMO E 1.5/8 PN400/60 DG FF S-1223
0102440629C		ATCR 40 X 26 X 6,00 DR DMO E 1.5/8 PN400/60 EXP S-1223
0102440649		ATCR 40 X 26 X 6,00 DR DMO E 1.5/8 PN400/60 FF S-1223
0102440629		ATCR 40 X 26 X 6,00 DR DMO E 1.5/8 PN400/60 S-1223
0102440660		ATCR 40 X 28 X 6,00 MT DMO E 1.5/8 PN400/60 S-1223
0102440661		ATCR 40 X 28 X 7,50 MT DMO E 1.5/8 PN400/60 S-1223
0102440634C		ATCR 44 X 24 X 6,00 MT DMO E 1.5/8 PN400/60 EXP S-1223
0102440634		ATCR 44 X 24 X 6,00 MT DMO E 1.5/8 PN400/60 S-1223
0102440654		ATCR 44 X 26 X 6,00 DR DMO C/P E 1.5/8 PN400/60 FF S-1223
0102440653		ATCR 44 X 26 X 6,00 DR DMO E 1.5/8 C/P PN400/60 S-1223

ATTENTION: IMPORTANT

Marchesan S.A. reserves the right to improve and/or modify the technical features of its products, without obligation to do the same with those products already sold and without prior knowledge of the dealer or the customer. The photos are only illustrative.



PRODUCTS

0102440635C	ATCR 44 X 26 X 6,00 DR DMO E 1.5/8 PN400/60 EXP S-1223
0102440635	ATCR 44 X 26 X 6,00 DR DMO E 1.5/8 PN400/60 S-1223
0102440662	ATCR 44 X 28 X 6,00 MT DMO E 1.5/8 PN400/60 S-1223
0102440663	ATCR 44 X 28 X 7,50 MT DMO E 1.5/8 PN400/60 S-1223

ATTENTION: IMPORTANT

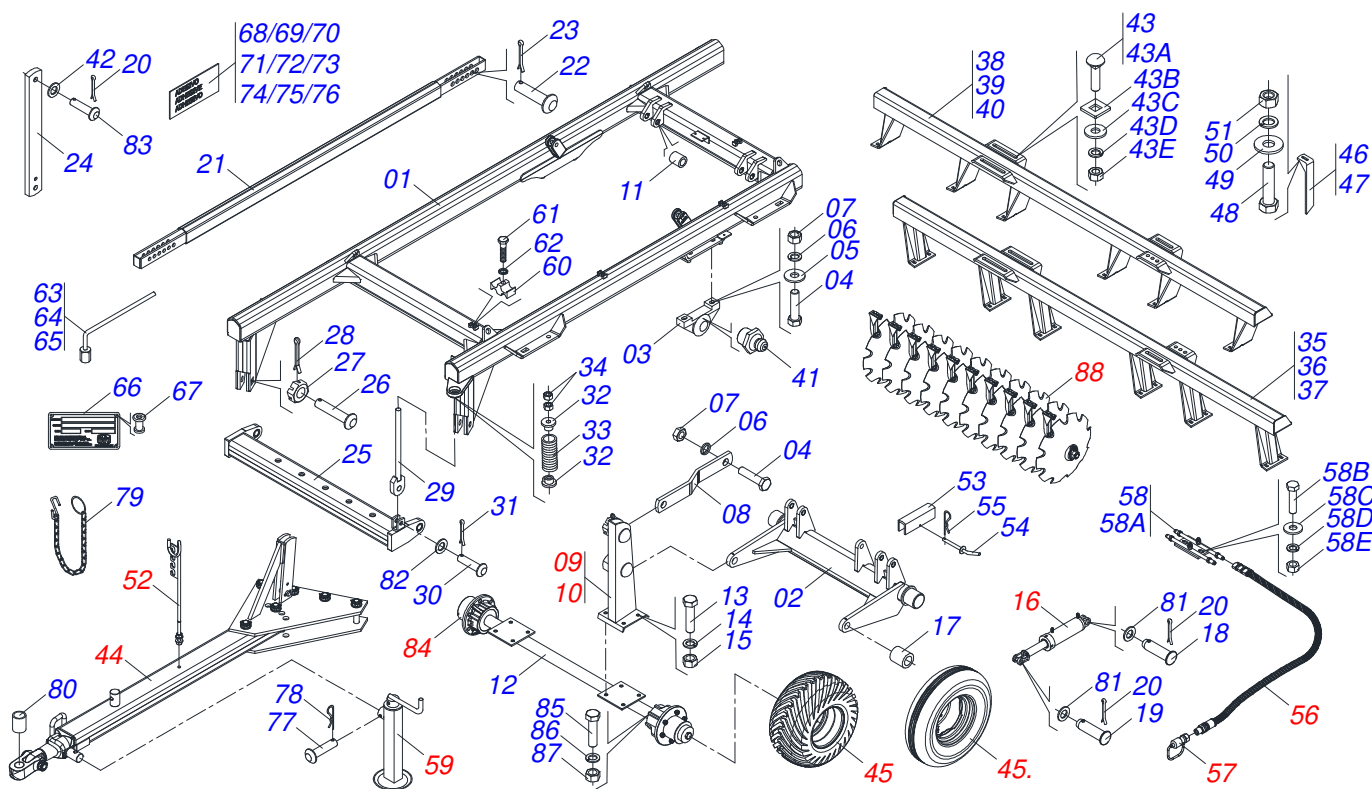
Marchesan S.A. reserves the right to improve and/or modify the technical features of its products, without obligation to do the same with those products already sold and without prior knowledge of the dealer or the customer. The photos are only illustrative.



MARCHESAN

INDEX

0909097067	FRAME ASSY	1
0503060102	WHEEL AND TIRE 400/60 - 14L RIGHT	2
0503060005	29.5" X 0.63"-10L WHEEL WITH TIRE ASSY	3
0501040257	3/4" X 38" HOSE SUPPORT ASSY	4
0501053834	MALE QUICK COUPLER	5
0501054147	RIGHT SUSPENSION TOWER	6
0501054148	LEFT SUSPENSION TOWER	7
0511059181	HYDRAULIC CYLINDER 50,80 X 101,60 X 515 X 248	8
0511041570	DRAWBAR ASSY 3"	9
0501051043	HOSE ASSY	10
0511048088	DRAWBAR JACK	11
0501051885	CARRYING-WHEELS	12
0501047809	3" X 85"STUB SHAFT & HUB ASSY	13
0909097068	DISC GANG	14
0511048374	BEARING WITH SUPPORT PROTECTION	15
0501059734	BEARING DMO 225 X 1.5/8 IMP	16



Item	Code	Description	See page	032	036	040	044
01	0501067290	CENTER FRAME		001	001	001	001
02	0501067244	WHEELS		001	001	001	001
03	0502010972	ARTICULATION BEARING		002	002	002	002
04	0503011432	BOLT		004	004	004	004
05	0501010065	1" SPRING WASHER		004	004	004	004
06	0503010012	1" SPRING WASHER		004	004	004	004
07	0501010059	1.5/8 NUT		004	004	004	004
08	0501110404	SUPPORT BAR		002	002	002	002
09	0501054147	RIGHT SUSPENSION TOWER	6	001	001	001	001
10	0501054148	LEFT SUSPENSION TOWER	7	001	001	001	001
11	0511019921	1.3" X 0.1" X 1" SLEEVE		002	002	002	002
12	0511069623	WHEEL SISTEM FIXER		001	001	001	001
13	0501810125	SCREW 3/4 UNC X 2.1/2 C S G.5		008	008	008	008
14	0503011442	3/4" SPRING WASHER		008	008	008	008
15	0503010014	3/4" ZN G.5 (HEAVY) UNC HEX NUT		008	008	008	008
16	0511059181	HYDRAULIC CYLINDER 50,80 X 101,60 X 515 X 248	8	002	002	002	002
17	0521010737	50,4/50,6X 38,5 X 35 SLEEVE		002	002	002	002
18	0511810174	COUPLING SHAFT		002	002	002	002
19	0521010547	1.2" X 6.5" COUPLING SHAFT		002	002	002	002
20	0503010523	1/4" X 2" SPLIT PIN		004	004	004	004
21	0501067243	STABILIZER BAR		001	001	001	001
22	0521810575	COUPLING SHAFT		002	002	002	002
23	0503010571	1/4" X 1.1/2" SPLIT PIN		002	002	002	002
24	0511013526	STABILIZER BAR TOWER		001	001	001	001
25	0501067241	OFFSET BAR		001	001	001	001
26	0521817538	COUPLING SHAFT		002	002	002	002
27	0501011301	1.1/2" UNC 6FPP 2.5/16" NUT		002	002	002	002
28	0503010010	SPLIT PIN 1/4" X 2.1/2"		002	002	002	002
29	0501064699	SPRING ROD		001	001	001	001
30	0521010592	1.1" X 3.1" COUPLING SHAFT		001	001	001	001

FRAME ASSY

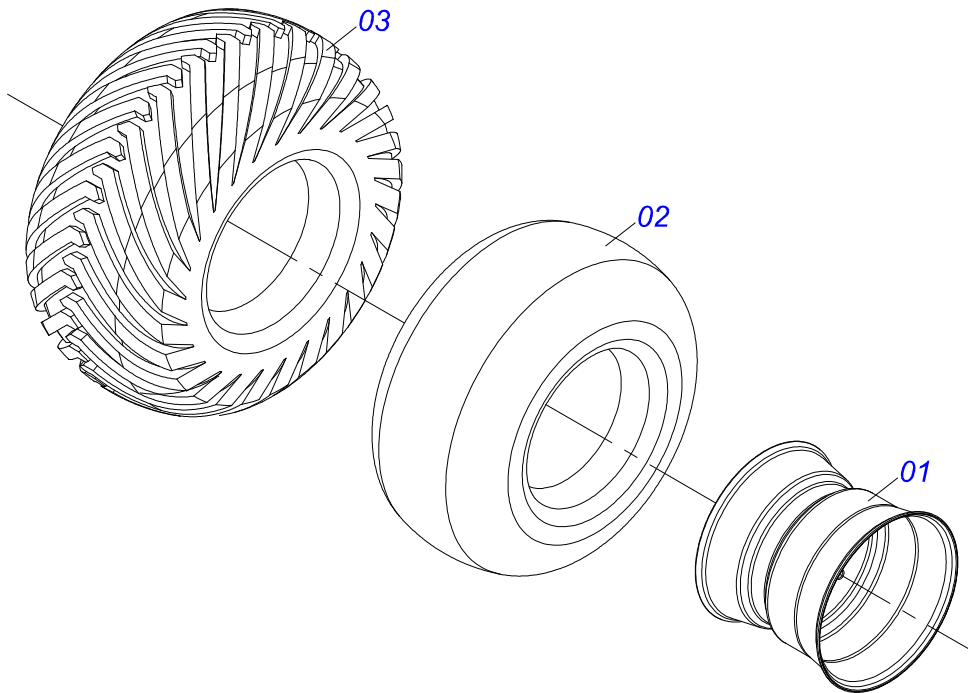
Item	Code	Description	See page	032	036	040	044
31	0503010571	1/4" X 1.1/2" SPLIT PIN		001	001	001	001
32	0502020394	SPRING SUPPORT		001	001	001	001
33	0503030441	12.7" X 5.7" X 0.5"SPRING		001	001	001	001
34	0501810087	NUT - 1.1/4 UNC 7FPP (SEXT.2) SA		002	002	002	002
35	0501065161	FRONT FRAME - 32D		001	000	000	000
36	0501065163	FRONT FRAME - 36D		000	001	000	000
37	0501065165	FRONT FRAME - 40D		000	000	001	000
37.	0501064756	FRONT FRAME - 44D		000	000	000	001
38	0501065162	REAR FRAME - 32D		001	000	000	000
39	0501065164	REAR FRAME - 36D		000	001	000	000
40	0501065166	REAR FRAME - 40D		000	000	001	000
40.	0501064757	REAR FRAME - 44D		000	000	000	001
41	0503010002	1800 GREASE FITTING		004	004	004	004
42	0501011445	FLAT WASHER		001	001	001	001
43	0501040877	C1" X 3-1/4" BOLT ASSY		008	008	008	008
43A	0501014309	C1" X 3-1/4" BOLT		001	001	001	001
43B	0501010951	1" SQUARE WASHER		001	001	001	001
43C	0501010065	1" SPRING WASHER		001	001	001	001
43D	0503011438	SPRING WASHER		001	001	001	001
43E	0501010059	1.5/8 NUT		001	001	001	001
44	0511041570	DRAWBAR ASSY 3"	9	001	001	001	001
45	0503060102	WHEEL AND TIRE 400/60 - 14L RIGHT	2	002	002	002	002
45.	0503060005	29.5" X 0.63"-10L WHEEL WITH TIRE ASSY	3	004	000	000	000
46	0501064168	FRONT SCRAPER		009	011	013	013
47	0501064167	REAR SCRAPER		009	011	013	013
48	0503010740	BOLT 1/2 UNC X 2 CS G.5 ZN		036	044	052	052
49	0511017302	FLAT WASHER 13,50 X 32,50 X 3,0 ZN		072	088	104	104
50	0503010019	1/2" SPRING WASHER		036	044	052	052
51	0503010060	1/2 UNC G.5 ZN HEX NUT		036	044	052	052
52	0501040257	3/4" X 38" HOSE SUPPORT ASSY	4	001	001	001	001
53	0501066386	TRANSPORT LOCK 9.54"		002	002	002	002
54	0501068994	8,30 X 78 LOCK PIN		001	001	001	001
55	0503030168	HITCH PIN CLIP		002	002	002	002
56	0501051043	HOSE ASSY	10	001	001	001	001
57	0501053834	MALE QUICK COUPLER	5	002	002	002	002
58	0501051611	CONNECTION ASSY		001	001	001	001
58A	0501068706	DOUBLE CONNECTION		001	001	001	001
58B	0503010237	3/8" X 1" BOLT		002	002	002	002
58C	0501010984	10,50 X 27 X 3,00 FLAT WASHER		002	002	002	002
58D	0503010025	3/8 SPRING WASHER		002	002	002	002
58E	0503010026	3/8" NUT		002	002	002	002
59	0511048088	DRAWBAR JACK	11	001	001	001	001
60	0502012702	BODY SUPPORT CLAMP		004	004	005	005
61	0503012555	SCREW 7/16 UNC X 2 CS RT G.7 ZN		004	004	005	005
62	0503010180	7/16" SPRING WASHER		004	004	005	005
63	0501061617	1" GANG BOLT WRENCH		001	001	001	001
64	0503016140	3/4" WRENCH CABLE CYLINDRICAL		002	002	002	002
65	0501011431	1-3/4" GANG BOLT WRENCH		001	001	001	001
66	0503034003	61 X 118 SERIAL NUMBER TAG		001	001	001	001
67	0503010001	RIVET 3,2 X 5,5		004	004	004	004
68	0503060787	GAICR DECAL SET		001	001	001	001
69	0503031428	READ MANUAL DECAL		001	001	001	001
70	0503031087	AUTO CONTROL APPROVED DECAL		001	001	001	001
71	0503031827	LUBRICATE AND RETIGHTEN DAILY DECAL		001	001	001	001
72	0503034078	LIFTING POINTS DECAL		004	004	004	004
73	0503031738	WARNING DECAL		002	002	002	002
74	0503033038	DANGER DECAL		001	001	001	001



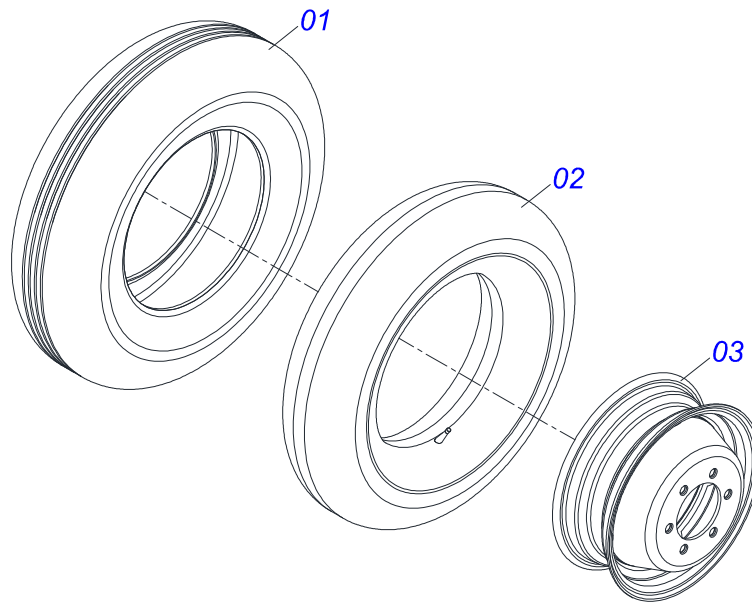
FRAME ASSY

0909097067

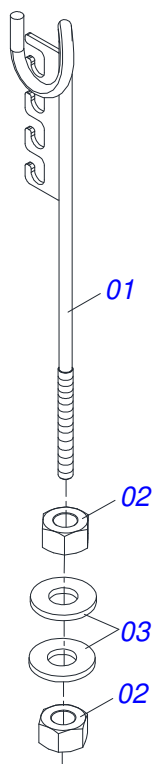
Item	Code	Description	See page	032	036	040	044
75	0503034499	HOSE IDENTIFICATION DECAL		001	001	001	001
76	0503031739	DANGER DECAL		001	001	001	001
77	0561014251	COUPLING SHAFT		001	001	001	001
78	0503030012	HITCH PIN CLIP		001	001	001	001
79	0503013150	1300 X 3/8" CHAIN		001	001	001	001
80	0581010270	48 X 59.30 X 76 SLEEVE		001	001	001	001
81	0501017779	FLAT WASHER 32 X 60 X 4,75		004	004	004	004
82	0561011883	FLAT WASHER		001	001	001	001
83	0521010576	0.9" X 3.7" COUPLING SHAFT		001	001	001	001
84	0501051885	CARRYING-WHEELS	12	002	002	002	002
84.	0501047809	3" X 85"STUB SHAFT & HUB ASSY	13	001	000	000	000
85	0503810706	SCREW 1/2 UNC X 4.1/2 C S G.5 SA		002	002	002	002
86	0503011440	SPRING WASHER		002	002	002	002
87	0503810060	1/2 NC S SA NUT		002	002	002	002
88		DISC GANG	14				



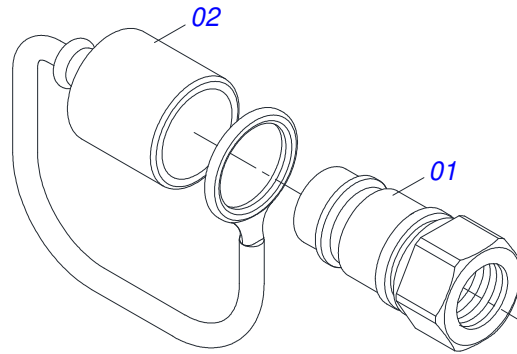
Item	Code	Description	See page	QT
01	0501069483	WHEEL 13 X 15,5 - 21FT		01
02	0503012112	400/60 - 15.5 TR 15 INNER TIRE		01
03	0503013119	CANVAS TIRE 400/60-15,5-T404-14L TRELEBORG		01



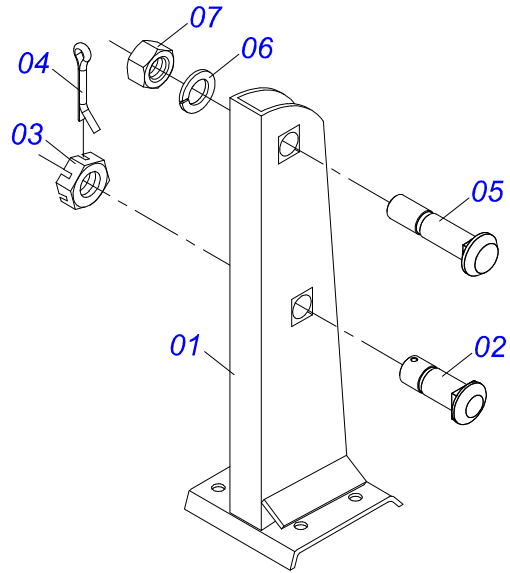
Item	Code	Description	See page	QT
01	0503010120	CANVAS TIRE		01
02	0503010033	7.50 X 16 INNER TIRE		01
03	0501061845	0.2"X0.6"X5.1"X6F0.6"X6.8"-D WHEEL		01



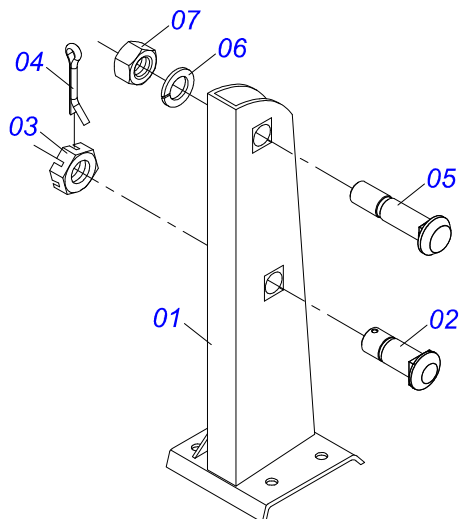
Item	Code	Description	See page	QT
01	0511067334	HOSE SUPPORT		01
02	0503010014	3/4" ZN G.5 (HEAVY) UNC HEX NUT		02
03	0501010322	20,50 X 46 X 4,00 ZN FLAT WASHER		02



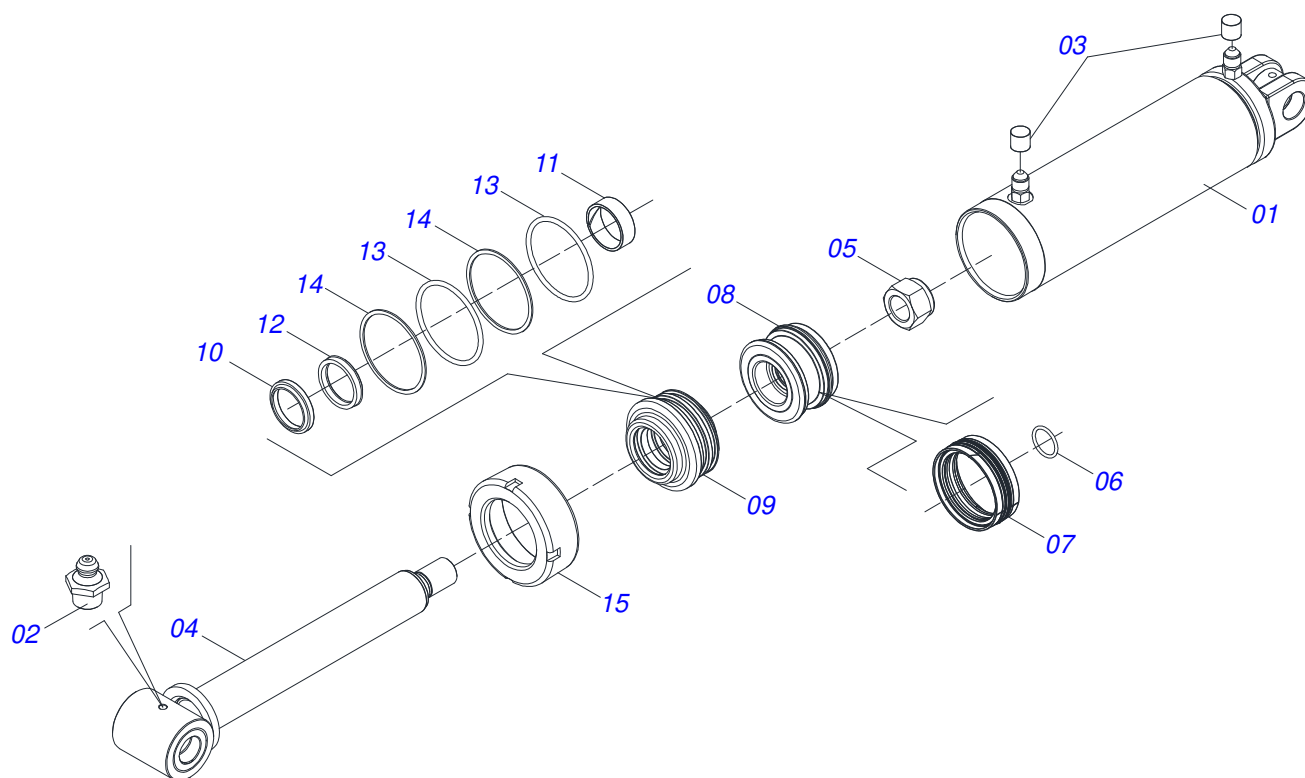
Item	Code	Description	See page	QT
01	0503011627	MALE QUICK COUPLER AGR 1/2 NPT		01
02	0503011882	MALE QUICK COUPLER CAP		01



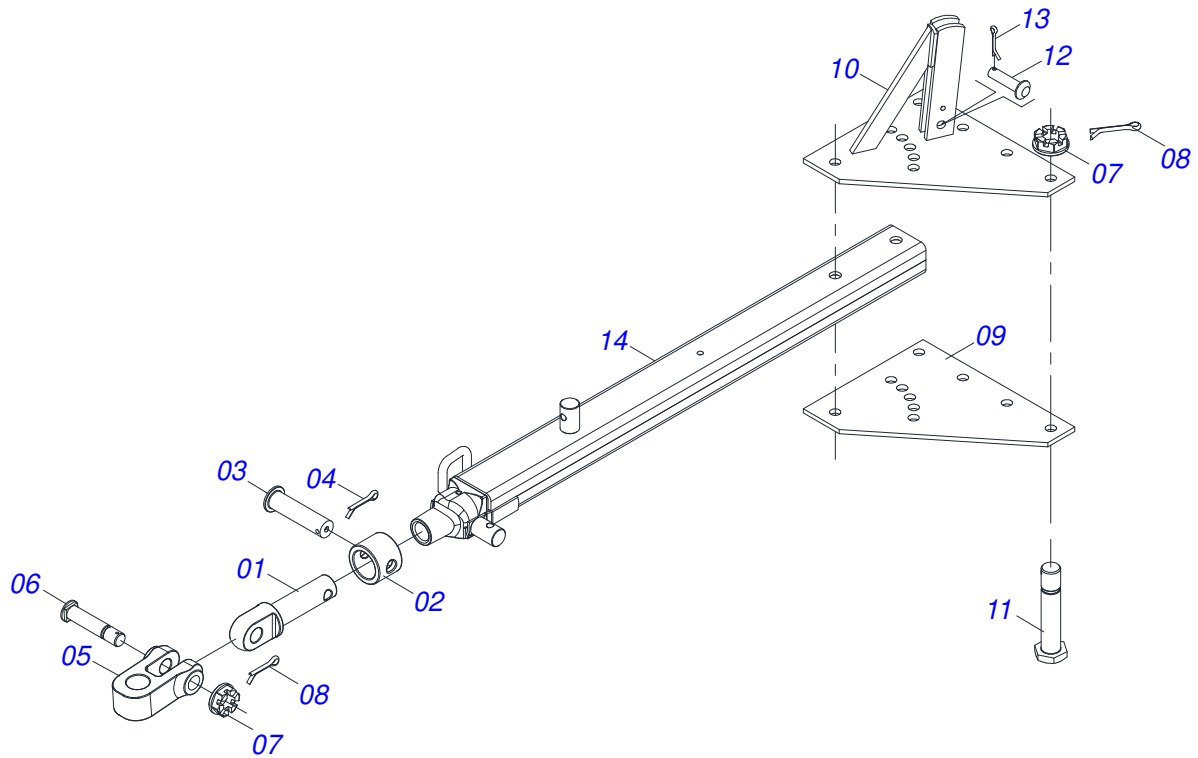
Item	Code	Description	See page	QT
01	0501068260	RIGHT SUSPENSION TOWER		01
02	0511018006	1-1/2 X 4.13" U BOLT OF SUSP TOWER		01
03	0501011301	1.1/2" UNC 6FPP 2.5/16" NUT		01
04	0503010010	SPLIT PIN 1/4" X 2.1/2"		01
05	0511017974	1" U BOLT SUSPENSION TOWER		01
06	0503010012	1" SPRING WASHER		01
07	0501010059	1.5/8 NUT		01



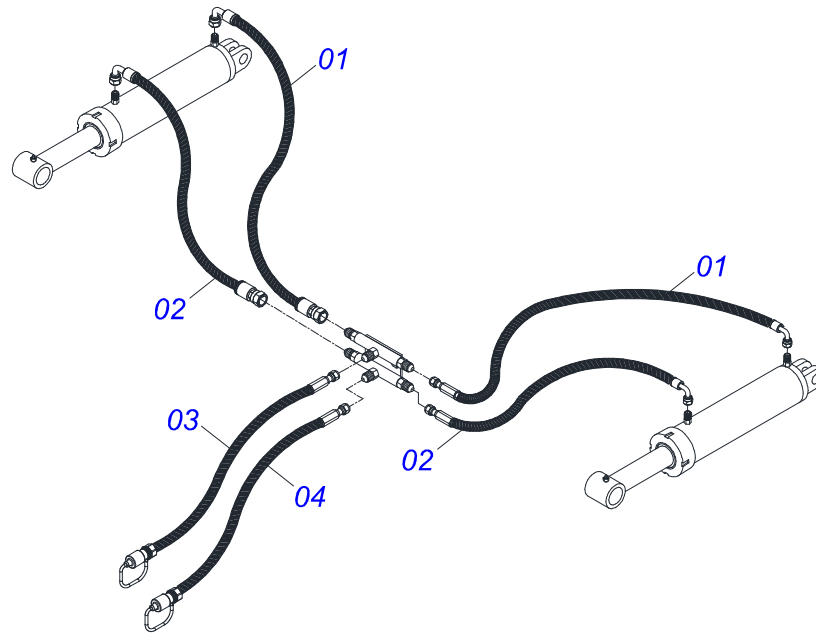
Item	Code	Description	See page	QT
01	0501068261	LEFT SUSPENSION TOWER		01
02	0511018006	1-1/2 X 4.13" U BOLT OF SUSP TOWER		01
03	0501011301	1.1/2" UNC 6FPP 2.5/16" NUT		01
04	0503010010	SPLIT PIN 1/4" X 2.1/2"		01
05	0511017974	1" U BOLT SUSPENSION TOWER		01
06	0503010012	1" SPRING WASHER		01
07	0501010059	1.5/8 NUT		01



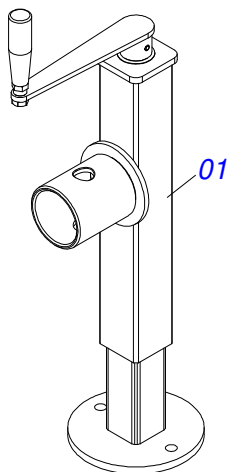
Item	Code	Description	See page	QT
01	0501067256	4" X 16" CYLINDER CASE		01
02	0503010002	1800 GREASE FITTING		02
03	0503030385	CYLINDER PLUG N-002		02
04	0521066345	PISTON ROD		01
05	0503010817	SELF LOCKING NUT 1.1/4 UNF ALTA G.5 ZN		01
06	0503010345	2-218 N 3006-9B O'RING		01
07	0503015633	SELEMASTER SEALING		01
08	0502012842	50,80 X 101,60 PISTON		01
09	0581010678	50,80 X 101 RING SUPPORT		01
10	0503015636	SCRAPER SEAL		01
11	0503018025	RING GUIDE W2-2250-750		01
12	0503018026	GASKET 1870-2000-375 B POLYMAX		01
13	0503010338	2-342 N 3006-9B O'RING		02
14	0503011061	8-342 BACK-UP RING		02
15	0502012822	END CAP 4"		01



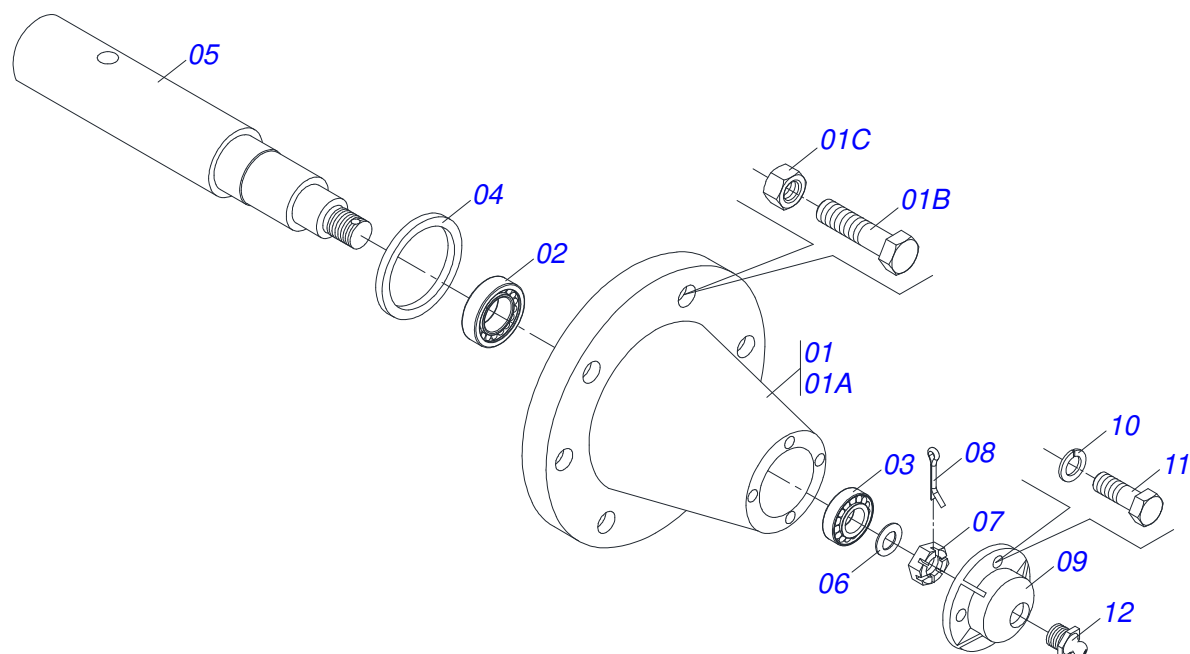
Item	Code	Description	See page	QT
01	0502040223	DRAWBOLT		01
02	0502040327	HITCH LOCK RING		01
03	0511014902	COUPLING SHAFT		01
04	0503010571	1/4" X 1.1/2" SPLIT PIN		01
05	1902040733	U COUPLING HOOK		01
06	0521012545	COUPLING SHAFT		01
07	0501011301	1.1/2" UNC 6FPP 2.5/16" NUT		07
08	0503010010	SPLIT PIN 1/4" X 2.1/2"		07
09	0511016137	UPPER /LOWER PLATE		01
10	0501067250	UPPER PLATE WITH SUPPORT		01
11	0501016419	1-1/2" X 7.5" BOLT		06
12	0521010779	31.75 X 95 COUPLING SHAFT		01
13	0503010523	1/4" X 2" SPLIT PIN		01
14	0501069323	TRACTION BAR		01



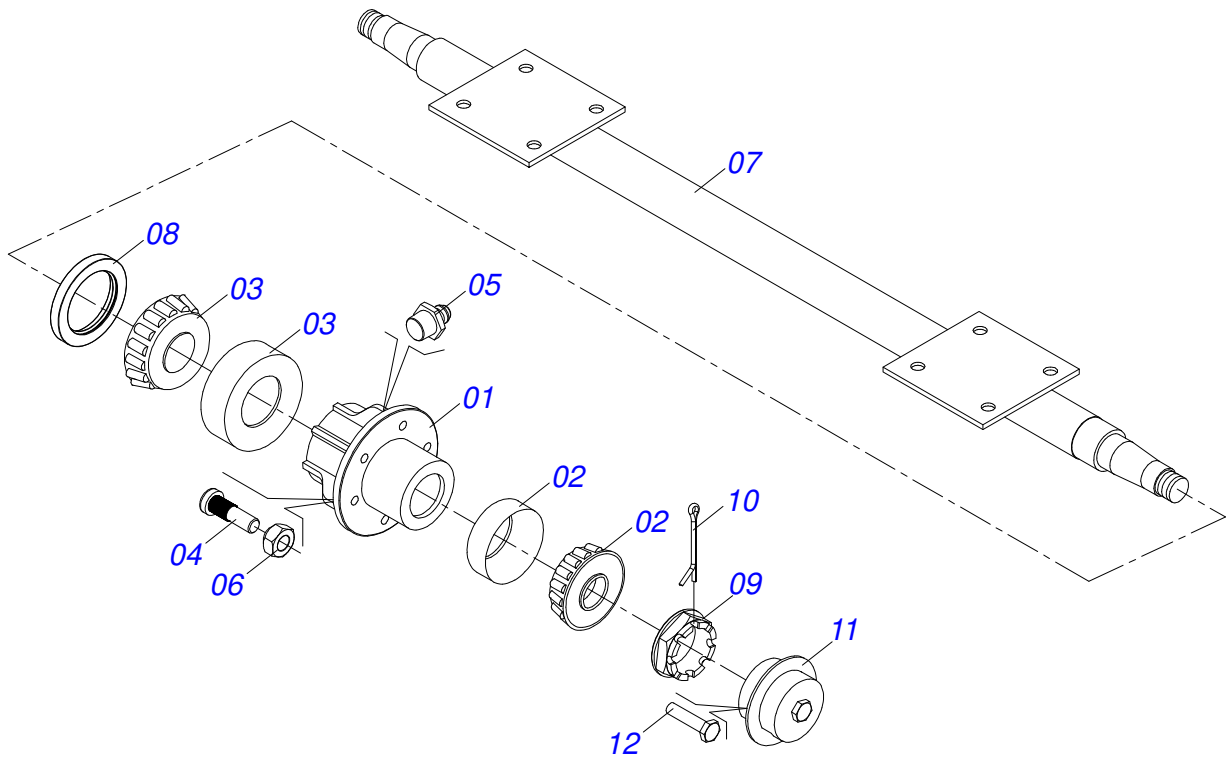
Item	Code	Description	See page	QT
01	0501080054	3/8" X 17" TR-TC HOSE		02
02	0501080413	3/8" X 27" TR-TC HOSE		02
03	0501080458	3/8" X 315" TC-TM HOSE		01
04	0501080459	3/8" X 322" TC-TM HOSE		01



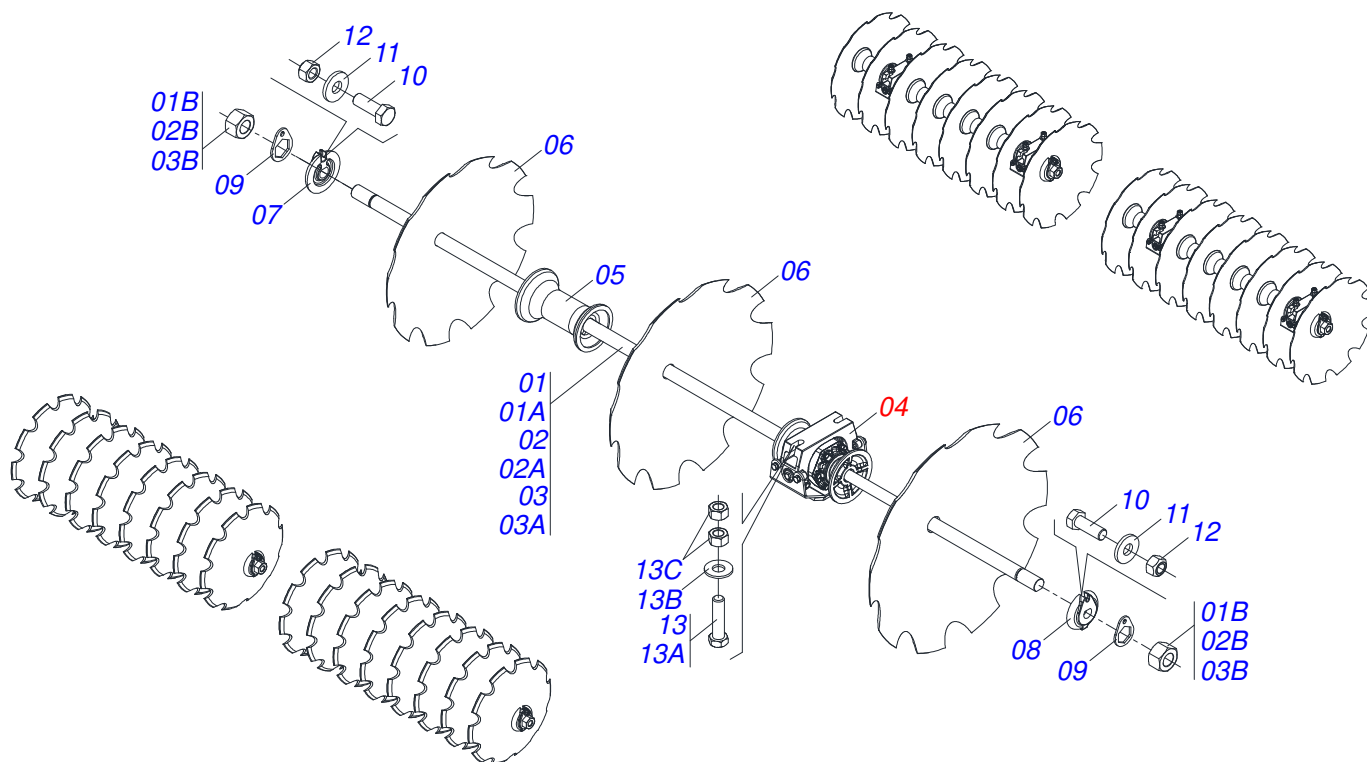
Item	Code	Description	See page	QT
01	0503062227	DRAWBAR JACK		01



Item	Code	Description	See page	QT
01	0501110738	CARRYING WHEEL HUB 21FT		01
01A	0502012260	TRANSPORT CARRYING-WHEEL HUB		01
01B	0503010064	5/8 UNF CONIC NUT		08
01C	0501010186	WHEEL BOLT 5/8"UNF X 2.1/8CR		08
02	0503011156	2780/2720 IMP ROLLER BEARING		01
03	0503010008	3780/3720 ROLLER BEARING		01
04	0503013314	RETAINER 5166-GB 63,5 X 110 X 13 ARCA		01
05	0511012494	SPINDLE		01
06	0511012492	FLAT WASHER		01
07	0503030009	1" CASTLE NUT		01
08	0503010018	5/32" X 1-1/2" SPLIT PIN		01
09	0502020591	PROTECCION COVER		01
10	0503011444	SPRING WASHER 5/16"		04
11	0503010358	5/16" X 5/8" BOLT		04
12	0503010002	1800 GREASE FITTING		01

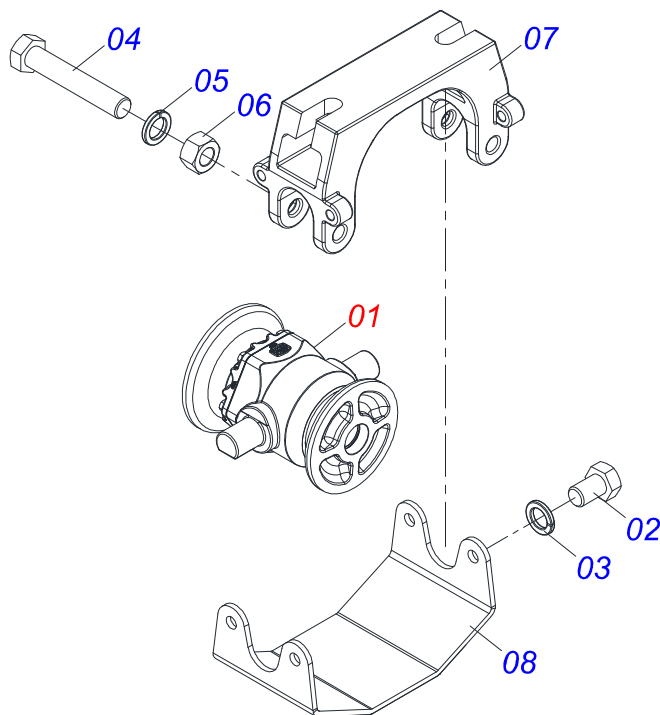


Item	Code	Description	See page	QT
01	0502011389	HUB		02
02	0503010006	32210 ROLLER BEARING		02
03	0503010005	32212 ROLLER BEARING		02
04	0501010186	WHEEL BOLT 5/8"UNF X 2.1/8CR		12
05	0503010002	1800 GREASE FITTING		02
06	0503010064	5/8 UNF CONIC NUT		12
07	0501067004	3" X 85" AXLE		01
08	0503011866	SEAL 00573-B WITH HOLE		02
09	0501010888	1.3/4" 2.5/16" CASTLE NUT		02
10	0503010010	SPLIT PIN 1/4" X 2.1/2"		02
11	0502020593	PROTECTION LID		02
12	0503010295	SCREW 5/16 UNC X 5/8 CS G.2 ZN		02

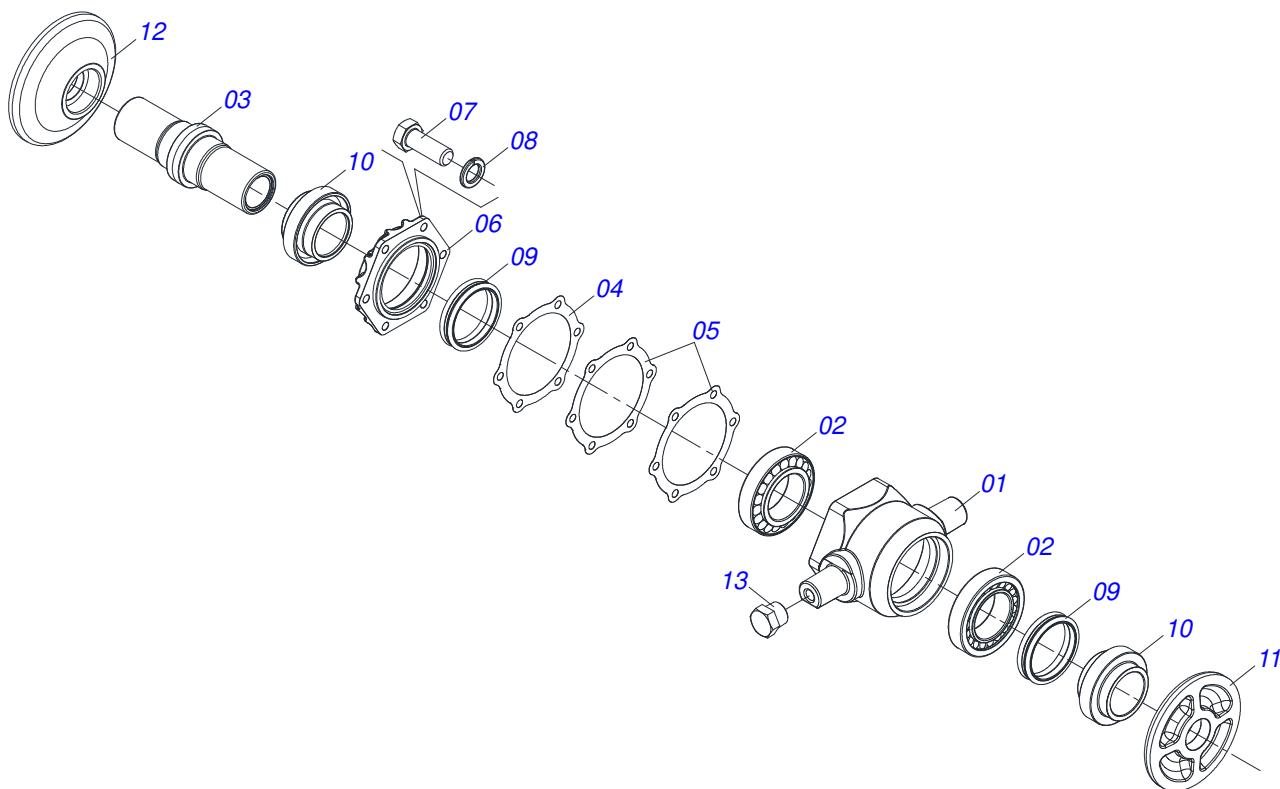


Item	Code	Description	See page	32	36	40	44
01	0501046855	1-5/8" X 52" AXLE WITH NUTS 2-3/4		02	06	02	04
01A	0501015237	1-5/8" X 52" AXLE		01	01	01	01
01B	0502040640	1.5/8" 2.3/4" NUT		02	02	02	02
02	0501046853	1-5/8" X 43" AXLE WITH NUTS 2-3/4		04	00	00	04
02A	0501015029	1-5/8" X 43" AXLE		01	00	00	01
02B	0502040640	1.5/8" 2.3/4" NUT		02	00	00	02
03	0501046857	1-5/8" X 61" AXLE WITH NUTS 2-3/4"		00	00	04	00
03A	0501015632	1-5/8" X 61" AXLE		00	00	01	00
03B	0502040640	1.5/8" 2.3/4" NUT		00	00	02	00
04	0511048374	BEARING WITH SUPPORT PROTECTION	15	12	12	12	16
05	0502010626	8.9" 1-5/8" SPACER		14	18	22	20
06	0602030005	DR 24 X 6,00 C84AF04FR1.11/16 10R		32	36	40	44
06.	0602033232	DR 26 X 6,00 C89AF02FR1.11/16 10R		32	36	40	44
06..	0602033005	DR 26 X 6,00 C90AF04FR1.11/16 10R		32	36	40	44
06...	0602033067	DR 26 X 7,50 C85AF04FR1.11/16 10R		32	36	40	44
06....	0602037004	DR 28 X 6,00 C102AF04FR1.11/16 10R		32	36	40	44
06.....	0602037006	DR 28 X 7,50 C102AF04FR1.11/16 10R		32	36	40	44
07	0502011048	1-5/8" EXTERNAL AXLE WASHER		06	06	06	08
08	0502011047	1-5/8" INNER AXLE WASHER		06	06	06	08
09	0511014339	1-5/8" 2.8" NUT LOCK		12	12	12	16
10	0503010232	5/8" X 1.3/4" BOLT		12	12	12	16
11	0501012140	FLAT WASHER 16,50 X 40 X 4,00 ZN		12	12	12	16
12	0503012412	5/8" UNC SELF LOCKING NUT		12	12	12	16
13	0521047424	SCREW ASSY		24	24	24	32
13A	0501010500	3/4" X 3" BOLT		01	01	01	01
13B	0501010322	20,50 X 46 X 4,00 ZN FLAT WASHER		01	01	01	01
13C	0503012183	SNC 3/4" ZIN 1K03097 NUT		02	02	02	02

BEARING WITH SUPPORT PROTECTION



Item	Code	Description	See page	QT
01	0501059734	BEARING DMO 225 X 1.5/8 IMP	16	01
02	0503010834	1/2 X 1 BOLT		04
03	0503010019	1/2" SPRING WASHER		04
04	0503010762	SCREW 5/8 UNC X 3.1/2 CS G.5 ZN		02
05	0503010027	5/8 SPRING WASHER		02
06	0503010013	5/8" UNC G.5 ZN HEX NUT		02
07	0502012626	CENTER OSCILLATING BEARING SUPPORT		01
08	0501213923	BEARING PROTECTION COVER		01



Item	Code	Description	See page	QT
01	0502020691	BEARING HUB		01
02	0503010005	32212 ROLLER BEARING		02
03	0502010899	AXLE CM/DM		01
04	0503030685	5.5" X 4.4" X 0.003" GASKET		01
05	0503030030	5.6" X 4.4" X 0.01" GASKET		02
06	0502020161	WEAR PLATE BEARING		01
07	0503010237	3/8" X 1" BOLT		06
08	0503011443	SPRING WASHER 3/8"		06
09	0503030027	DUO-CONE SEAL		02
10	0502040287	SEAL RETAINER		02
11	0502040239	OUTER FLANGE		01
12	0502040240	INNER FLANGE		01
13	0503010856	OIL PLUG R 3/8 BSPT		02



MARCHESAN

Technical Publications | Elaboration and Revision

LEONARDO JOSÉ DA SILVA SOUZA

www.marchesan.com.br

