

OFFSET DISK HARROW

ATCR 12/14/16/18/20/22/23/24/25/26/28/29D
ATCR 12/14/16/18/20/22/23/24/25/26/28/29D

Code: 0501093788
Series: S-1223
Revision: 00
Revision Date: JANUARY/2024

PARTS CATALOGUE



MARCHESAN



PRODUCTS

Code	Working Width	Description
0102440531		ATCR 12X24X6 DR DMO E 1.5/8 S-1223
0102440542C		ATCR 12X26X6 DR DMO E 1.5/8 EXP S-1223
0102440542		ATCR 12X26X6 DR DMO E 1.5/8 S-1223
0102440567		ATCR 12X28X6 DR DMO E 1.5/8 S-1223
0102440619		ATCR 14X24X6 DR DMO E 1.5/8 C/PROT S-1223
0102440543C		ATCR 14X24X6 DR DMO E 1.5/8 EXP S-1223
0102440543		ATCR 14X24X6 DR DMO E 1.5/8 S-1223
0102440582		ATCR 14X26X6 DR DMO E 1.5/8 C/PROT S-1223
0102440544C		ATCR 14X26X6 DR DMO E 1.5/8 EXP S-1223
0102440544		ATCR 14X26X6 DR DMO E 1.5/8 S-1223
0102440622		ATCR 14X26X6 DR DMO E 1.5/8 S/PN S-1223
0102440562		ATCR 14X28X6 DR DMO E 1.5/8 S-1223
0102440569		ATCR 14X28X7,5 DR DMO E 1.5/8 S-1223
0102440579		ATCR 16X24X6 DR DMO E 1.5/8 C/PROT S-1223
0102440545C		ATCR 16X24X6 DR DMO E 1.5/8 EXP S-1223
0102440636C		ATCR 16X24X6 DR DMO E 1.5/8 PN 11L15 EXP S-1223
0102440636		ATCR 16X24X6 DR DMO E 1.5/8 PN 11L15 S-1223
0102440613C		ATCR 16X24X6 DR DMO E 1.5/8 PN 7,5X16 EXP S-1223
0102440613		ATCR 16X24X6 DR DMO E 1.5/8 PN 7,5X16 S-1223
0102440545		ATCR 16X24X6 DR DMO E 1.5/8 S-1223
0102440614		ATCR 16X24X9 DR DMO E 1.5/8 S-1223
0102440603		ATCR 16X26X6 DL DMO E 1.5/8 S-1223
0102440583		ATCR 16X26X6 DR DMO E 1.5/8 C/PROT S-1223
0102440546C		ATCR 16X26X6 DR DMO E 1.5/8 EXP S-1223
0102440606		ATCR 16X26X6 DR DMO E 1.5/8 PN 7.50 S-1223
0102440546		ATCR 16X26X6 DR DMO E 1.5/8 S-1223
0102440598		ATCR 16X26X6 DR DMO E 1.5/8 TERR S-1223
0102440604		ATCR 16X26X6 MT DMO E 1.5/8 S-1223
0102440630		ATCR 16X28X6 DL DMO E 1.5/8 S-1223
0102440560		ATCR 16X28X6 DR DMO E 1.5/8 S-1223

ATTENTION: IMPORTANT

Marchesan S.A. reserves the right to improve and/or modify the technical features of its products, without obligation to do the same with those products already sold and without prior knowledge of the dealer or the customer. The photos are only illustrative.



PRODUCTS

0102440570	ATCR 16X28X7,5 DR DMO E 1.5/8 S-1223
0102440602	ATCR 18X24X6 DL DMO E 1.5/8 S-1223
0102440620	ATCR 18X24X6 DR DMO E 1.5/8 C/PROT S-1223
0102440547C	ATCR 18X24X6 DR DMO E 1.5/8 EXP S-1223
0102440624C	ATCR 18X24X6 DR DMO E 1.5/8 PN 11L15 EXP S-1223
0102440624	ATCR 18X24X6 DR DMO E 1.5/8 PN 11L15 S-1223
0102440547	ATCR 18X24X6 DR DMO E 1.5/8 S-1223
0102440549C	ATCR 18X26X6 DR DMO E 1.5/8 EXP S-1223
0102440618	ATCR 18X26X6 DR DMO E 1.5/8 PN 11L15 S-1223
0102440599	ATCR 18X26X6 DR DMO E 1.5/8 S-1223
0102440549	ATCR 18X26X6 DR DMO E 1.5/8 S-1223
0102440638	ATCR 18X26X6 MT DMO E 1.5/8 S-1223
0102440550	ATCR 18X28X6 DR DMO E 1.5/8 S-1223
0102440571	ATCR 18X28X7,5 DR DMO E 1.5/8 S-1223
0102440656	ATCR 20X24X6 DR DMO E 1.5/8 C/PROT S-1223
0102440551C	ATCR 20X24X6 DR DMO E 1.5/8 EXP S-1223
0102440607C	ATCR 20X24X6 DR DMO E 1.5/8 PN11L15 EXP S-1223
0102440607	ATCR 20X24X6 DR DMO E 1.5/8 PN11L15 S-1223
0102440551	ATCR 20X24X6 DR DMO E 1.5/8 S-1223
0102440640	ATCR 20X26X6 DL DMO E 1.5/8 S-1223
0102440616	ATCR 20X26X6 DMO E 1.5/8 S/RODA/DC/PN S-1223
0102440578	ATCR 20X26X6 DR DMO E 1.5/8 C/PROT S-1223
0102440552C	ATCR 20X26X6 DR DMO E 1.5/8 EXP S-1223
0102440552	ATCR 20X26X6 DR DMO E 1.5/8 S-1223
0102440595	ATCR 20X26X6 DR DMO E 1.5/8 TERR S-1223
0102440605	ATCR 20X26X6 MT DMO E 1.5/8 S-1223
0102440576C	ATCR 20X26X7,5 DR DMO E 1.5/8 EXP S-1223
0102440576	ATCR 20X26X7,5 DR DMO E 1.5/8 S-1223
0102440642	ATCR 20X28X6 DL DMO E 1.5/8 S-1223
0102440553	ATCR 20X28X6 DR DMO E 1.5/8 S-1223
0102440572	ATCR 20X28X7,5 DR DMO E 1.5/8 S-1223

ATTENTION: IMPORTANT

Marchesan S.A. reserves the right to improve and/or modify the technical features of its products, without obligation to do the same with those products already sold and without prior knowledge of the dealer or the customer. The photos are only illustrative.



PRODUCTS

0102440563	ATCR 22X24X6 DR DMO E 1.5/8 S-1223
0102440564C	ATCR 22X26X6 DR DMO E 1.5/8 EXP S-1223
0102440564	ATCR 22X26X6 DR DMO E 1.5/8 S-1223
0102440657	ATCR 22X26X6 DR DMO E 1.5/8 TERR FF S-1223
0102440575	ATCR 22X28X6 DR DMO E 1.5/8 S-1223
0102440565	ATCR 22X28X7,5 DR DMO E 1.5/8 S-1223
0102440625C	ATCR 23X26X6 DR DMO E 1.5/8 C/PROT EXP S-1223
0102440625	ATCR 23X26X6 DR DMO E 1.5/8 C/PROT S-1223
0102440580	ATCR 23X26X6 DR DMO E 1.5/8 S-1223
0102440621	ATCR 24X24X6 DR DMO E 1.5/8 C/PROT S-1223
0102440554C	ATCR 24X24X6 DR DMO E 1.5/8 EXP S-1090
0102440608C	ATCR 24X24X6 DR DMO E 1.5/8 PN11L15 EXP S-1223
0102440608	ATCR 24X24X6 DR DMO E 1.5/8 PN11L15 S-1223
0102440554	ATCR 24X24X6 DR DMO E 1.5/8 S-1090
0102440633	ATCR 24X24X6 MT DMO E 1.5/8 S-1223
0102440555C	ATCR 24X26X6 DR DMO E 1.5/8 EXP S-1223
0102440637C	ATCR 24X26X6 DR DMO E 1.5/8 PN11L15 C/P EXP S-1223
0102440637	ATCR 24X26X6 DR DMO E 1.5/8 PN11L15 C/PROT S-1223
0102440585	ATCR 24X26X6 DR DMO E 1.5/8 S-1223
0102440555	ATCR 24X26X6 DR DMO E 1.5/8 S-1223
0102440647	ATCR 24X26X6 DR DMO E 1.5/8 TERR FF S-1223
0102440596	ATCR 24X26X6 DR DMO E 1.5/8 TERR S-1223
0102440601	ATCR 24X26X6 MT DMO E 1.5/8 C/PROT S-1223
0102440566	ATCR 24X26X7,5 DR DMO E 1.5/8 S-1223
0102440556	ATCR 24X28X6 DR DMO E 1.5/8 S-1223
0102440639	ATCR 24X28X7,5 DL DMO E 1.5/8 S-1223
0102440573	ATCR 24X28X7,5 DR DMO E 1.5/8 S-1223
0102440611	ATCR 25X26X6 DR DMO E 1.5/8 C/PROT S-1223
0102440581	ATCR 25X26X6 DR DMO E 1.5/8 S-1223
0102440577C	ATCR 26X26X6 DR DMO E 1.5/8 EXP S-1223
0102440577	ATCR 26X26X6 DR DMO E 1.5/8 S-1223

ATTENTION: IMPORTANT

Marchesan S.A. reserves the right to improve and/or modify the technical features of its products, without obligation to do the same with those products already sold and without prior knowledge of the dealer or the customer. The photos are only illustrative.



PRODUCTS

0102440651	ATCR 26X26X6 DR DMO E1.5/8 TERR FF S-1223
0102440628	ATCR 26X28X6 DR DMO E 1.5/8 S-1223
0102440644	ATCR 26X28X7,5 DR DMO E 1.5/8 S-1223
0102440609C	ATCR 28X24X6 DR DMO E 1.5/8 PN 11L15 EXP S-1223
0102440609	ATCR 28X24X6 DR DMO E 1.5/8 PN 11L15 S-1223
0102440557	ATCR 28X24X6 DR DMO E 1.5/8 S-1223
0102440643C	ATCR 28X24X6 MT DMO E 1.5/8 EXP S-1223
0102440643	ATCR 28X24X6 MT DMO E 1.5/8 S-1223
0102440574	ATCR 28X26X6 DL DMO E 1.5/8 S/PNEU S-1223
0102440617	ATCR 28X26X6 DMO S/DC S/PN S-1223
0102440600	ATCR 28X26X6 DR DMO E 1.5/8 C/PROT S-1223
0102440584	ATCR 28X26X6 DR DMO E 1.5/8 C/PROT S-1223
0102440558C	ATCR 28X26X6 DR DMO E 1.5/8 EXP S-1223
0102440558	ATCR 28X26X6 DR DMO E 1.5/8 S-1223
0102440597	ATCR 28X26X6 DR DMO E 1.5/8 TERR S-1223
0102440650	ATCR 28X26X6 DR DMO E1.5/8 TERR FF S-1223
0102440568	ATCR 28X26X7,5 DR DMO E 1.5/8 TERR S-1223
0102440641	ATCR 28X28X6 DL DMO E 1.5/8 S-1223
0102440559C	ATCR 28X28X6 DR DMO E 1.5/8 EXP S-1223
0102440559	ATCR 28X28X6 DR DMO E 1.5/8 S-1223
0102440561	ATCR 28X28X7,5 DR DMO E 1.5/8 S-1223
0102440612	ATCR 29X26X6 DR DMO E 1.5/8 C/PROT S-1223
0102440586	ATCR 29X26X6 DR DMO E 1.5/8 S-1223

ATTENTION: IMPORTANT

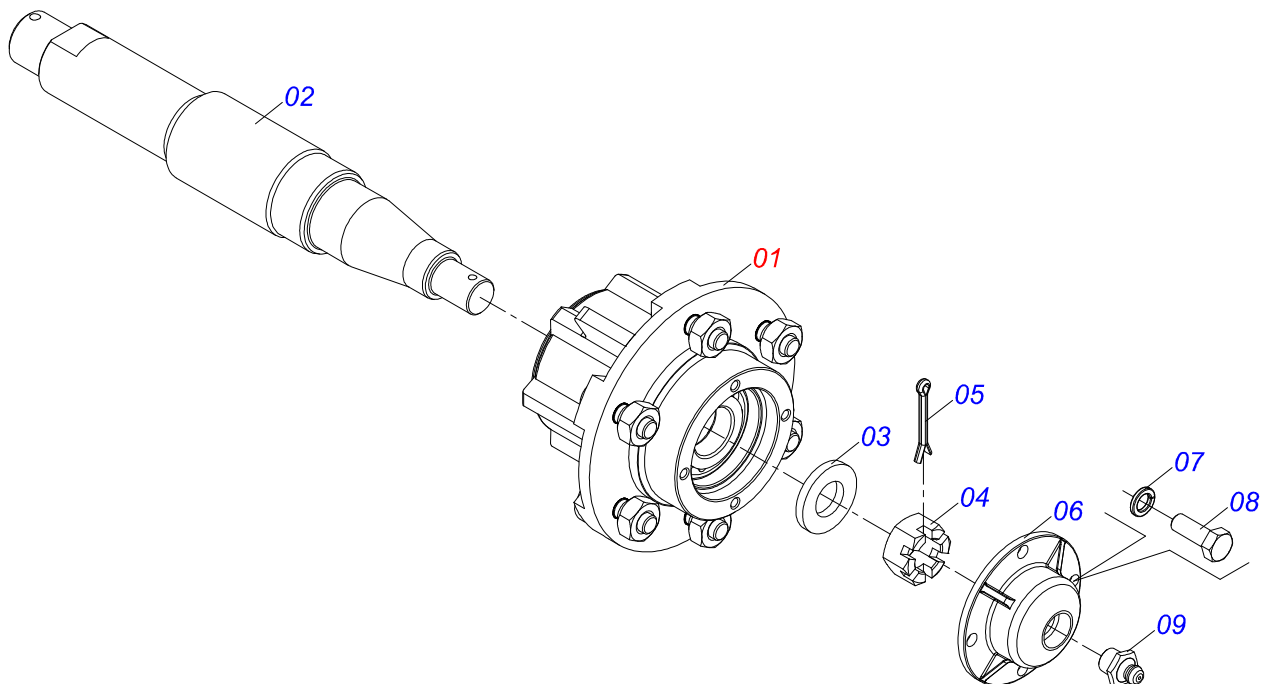
Marchesan S.A. reserves the right to improve and/or modify the technical features of its products, without obligation to do the same with those products already sold and without prior knowledge of the dealer or the customer. The photos are only illustrative.



INDEX

0909097065	FRAME ASSY	1
0501051634	STUB SHAFT HUB ASSY	2
0501051142	CARRYING WHEEL HUB	3
0503062157	DRAWBAR JACK	4
0511059180	HYDRAULIC CYLINDER 50,80 X 101,60 X 515 X 203	5
0501041096	DRAWBAR ASSY	6
0521048502	TRACTION BAR ASSY	7
0521057520	HITCH ASSY	8
0503060094	WHEEL AND TIRE ASSY	9
0503060091	L 29.5" X 0.63"-10L WHEEL AND TIRE ASSY	10
0503060181	WHEEL AND TIRE	11
0501040257	3/4" X 38" HOSE SUPPORT ASSY	12
0501053834	MALE QUICK COUPLER	13
0909097066	DISC GANG	14
0511048374	BEARING DM OL 225 X 1.5/8 OSCILLATING WITH SUPPORT PROTECTION IMP	15
0501059734	AGRICULTURAL BEARING DMO 225 X 1.5/8 MM IMP	16

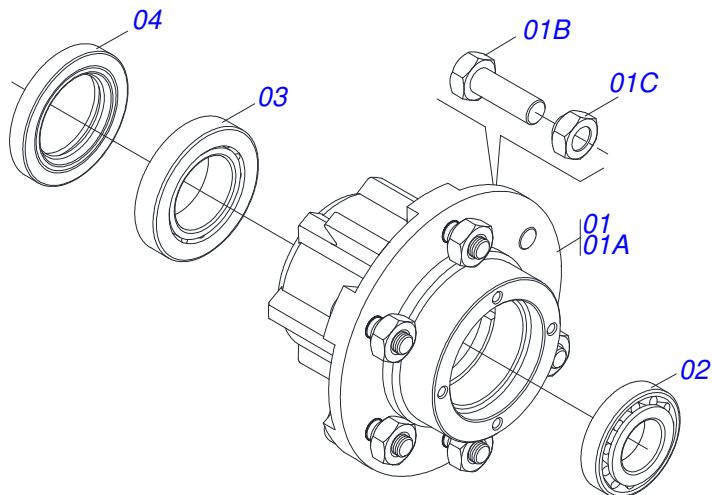
STUB SHAFT HUB ASSY



Item	Code	Description	See page	QT
01	0501051142	CARRYING WHEEL HUB	3	01
02	0521010821	2.5" X 16.5" AXLE		01
03	0501016545	FLAT WASHER		01
04	0503030009	1" CASTLE NUT		01
05	0503010018	5/32" X 1-1/2" SPLIT PIN		01
06	0502020591	PROTECCION COVER		01
07	0503011444	SPRING WASHER 5/16"		04
08	0503010358	5/16" X 5/8" BOLT		04
09	0503010002	1800 GREASE FITTING		01

CARRYING WHEEL HUB

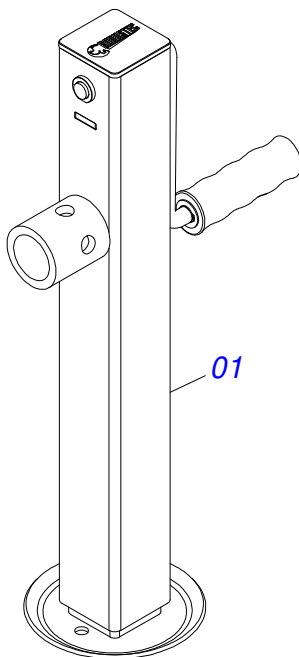
0501051142



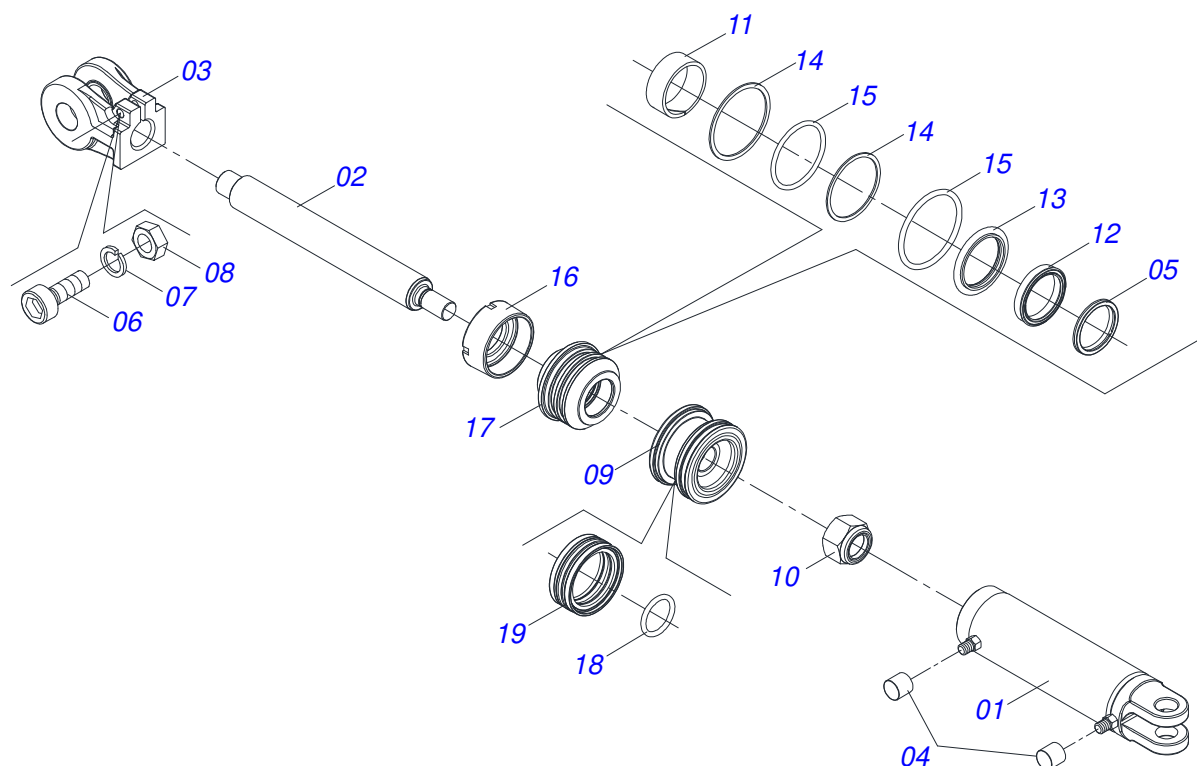
Item	Code	Description	See page	QT
01	0501110728	WHEEL HUB		01
01A	0502011121	CARRYING WHEEL HUB		01
01B	0501010127	9/16" X 1-7/8" LUG BOLT		06
01C	0503010035	9/16" CONIC NUT		06
02	0503010037	30207 ROLLER BEARING		01
03	0503010006	32210 ROLLER BEARING		01
04	0503012928	SEAL		01

DRAWBAR JACK

0503062157

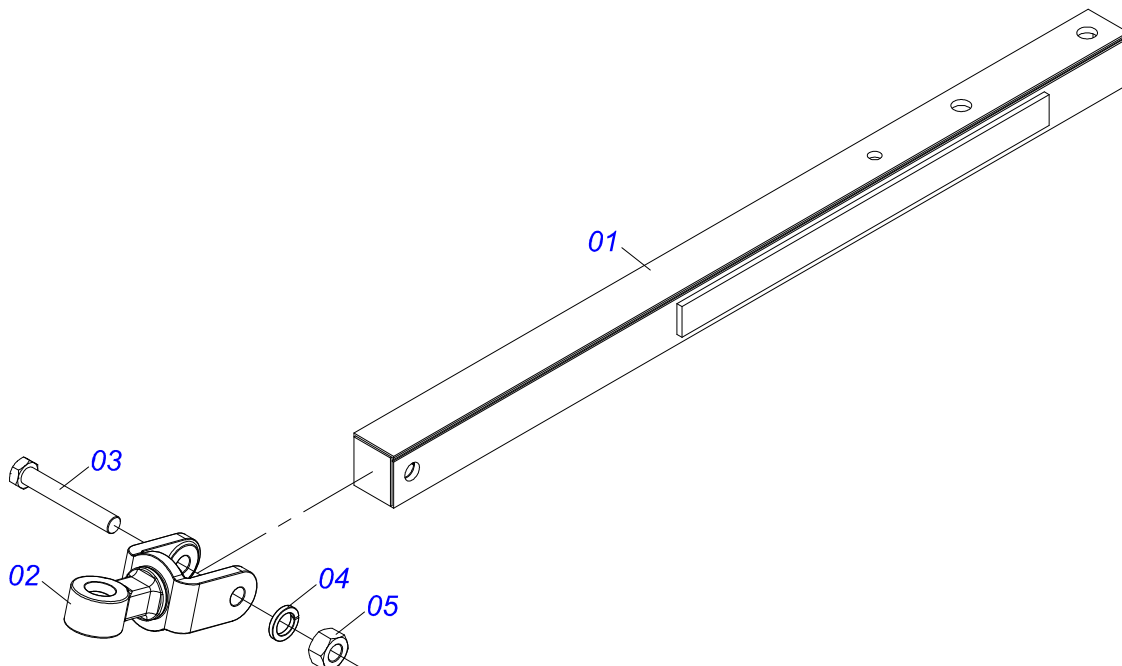


Item	Code	Description	See page	QT
01	0503062157	DRAWBAR JACK	4	01



Item	Code	Description	See page	QT
01	0511070658	CYLINDER CASE		01
02	0571019958	HYDRAULIC CYLINDER TURNBUCKLE		01
03	0502040747	32.54 CLEVIS CLAMP		01
04	0503030385	CYLINDER PLUG N-002		02
05	0503010039	D-2000 SCRAPER RING		01
06	0503011094	BOLT 3/8" UNC X 2" C C S I 12.9		01
07	0503011443	SPRING WASHER 3/8"		01
08	0503010026	3/8" NUT		01
09	0502012820	2" X 4" PISTON		01
10	0503010817	SELF LOCKING NUT 1.1/4 UNF ALTA G.5 ZN		01
11	0503018025	RING GUIDE W2-2250-750		01
12	0503018026	GASKET 1870-2000-375 B POLYMAX		01
13	0503018024	RING BS OD050805200171D-BR		01
14	0503010338	2-342 N 3006-9B O'RING		02
15	0503011061	8-342 BACK-UP RING		02
16	0502012822	END CAP 4"		01
17	0502012821	2" X 4" RING SUPPORT		01
18	0503018029	O'RING 2-217 N 3006 90B		01
19	0503015633	SELEMASTER SEALING		01

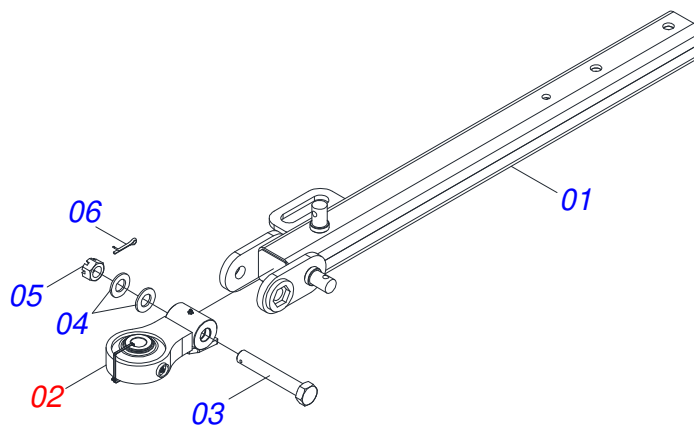
DRAWBAR ASSY



Item	Code	Description	See page	QT
01	0501060188	DRAWBAR ASSY		01
02	0521061775	TRACTOR HITCH		01
03	0501010060	1" X 6-1/2" BOLT		01
04	0503011438	SPRING WASHER		01
05	0501010059	1.5/8 NUT		01

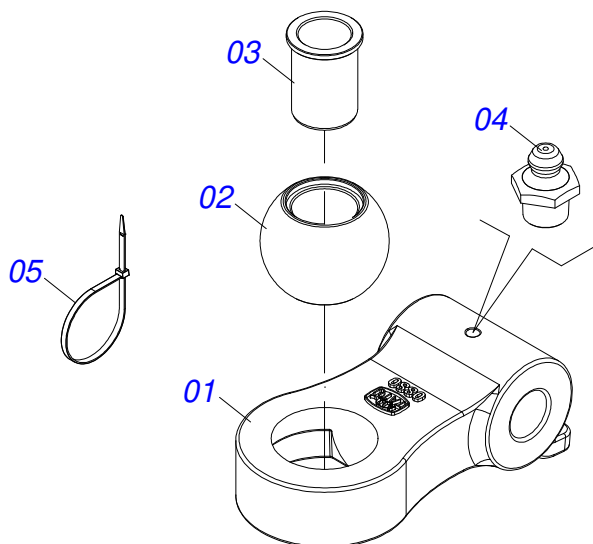
TRACTION BAR ASSY

0521048502

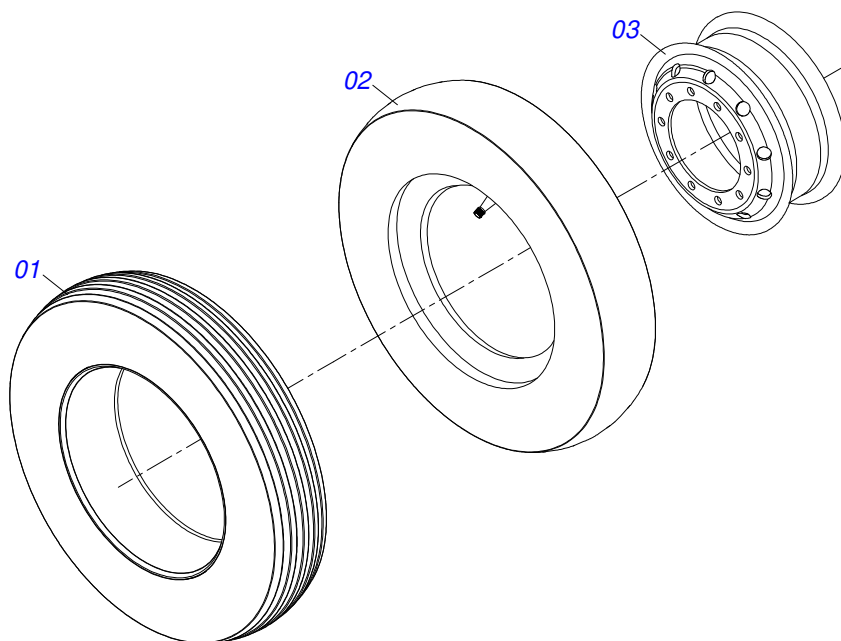


Item	Code	Description	See page	QT
01	0521069165	DRAWBAR		01
02	0521057520	HITCH ASSY	8	01
03	0581015973	1.1/4 UNC X 8 C S G5 SCREW		01
04	0501017779	FLAT WASHER 32 X 60 X 4,75		02
05	0503013026	1.1/4" CASTLE NUT		01
06	0503010010	SPLIT PIN 1/4" X 2.1/2"		01

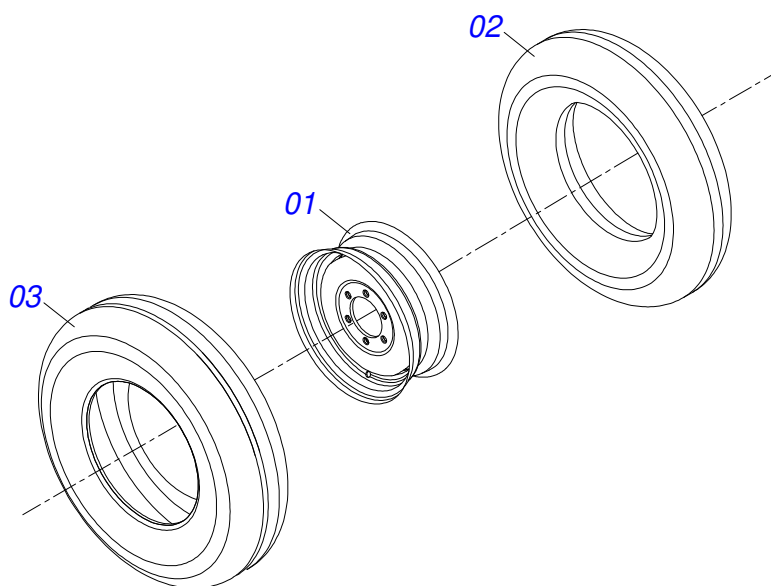
HITCH ASSY



Item	Code	Description	See page	QT
01	0502040880	HITCH BODY		01
02	0502040885	BODY ATTACHMENT		01
03	0591012511	SLEEVE		01
04	0503010002	1800 GREASE FITTING		01
05	0503018829	NYLON CLAMP 7,8 X 1,8 X 390 MM		01

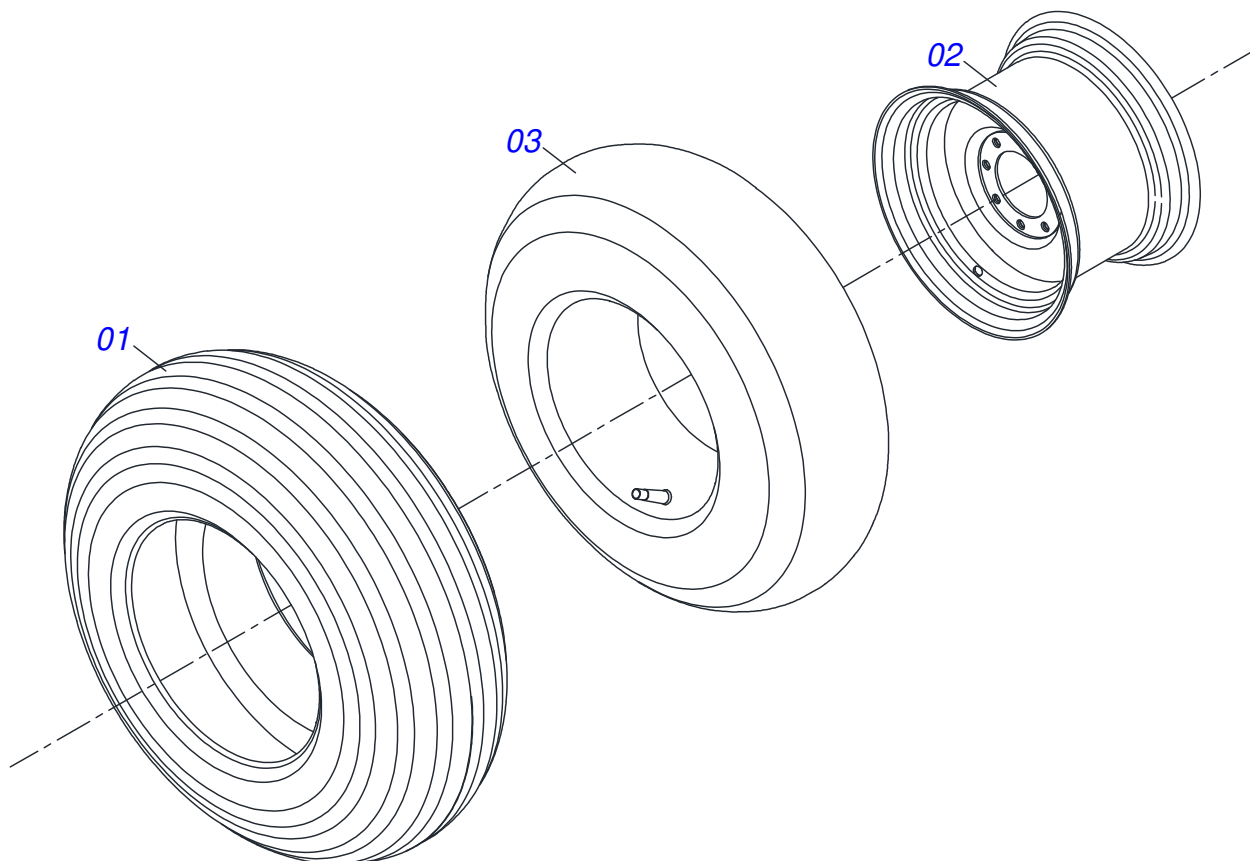


Item	Code	Description	See page	QT
01	0503010065	CANVAS TIRE		01
02	0503010068	6.00 X 16 INNER TIRE		01
03	0503010894	0.2"X0.6"X4.6"X6F0.6"X6" WHEEL		01

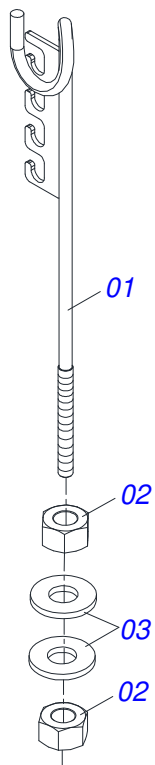


Item	Code	Description	See page	QT
01	0503010893	WHEEL		01
02	0503010033	7.50 X 16 INNER TIRE		01
03	0503010120	CANVAS TIRE		01

WHEEL AND TIRE

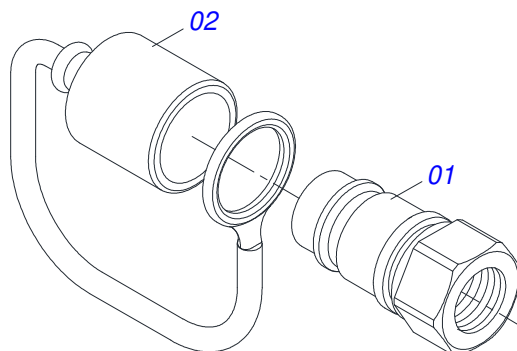


Item	Code	Description	See page	QT
01	0503010858	CANVAS TIRE		01
02	0503011468	WEEL		01
03	0503010860	AIR CHAMBER 11L 15		01

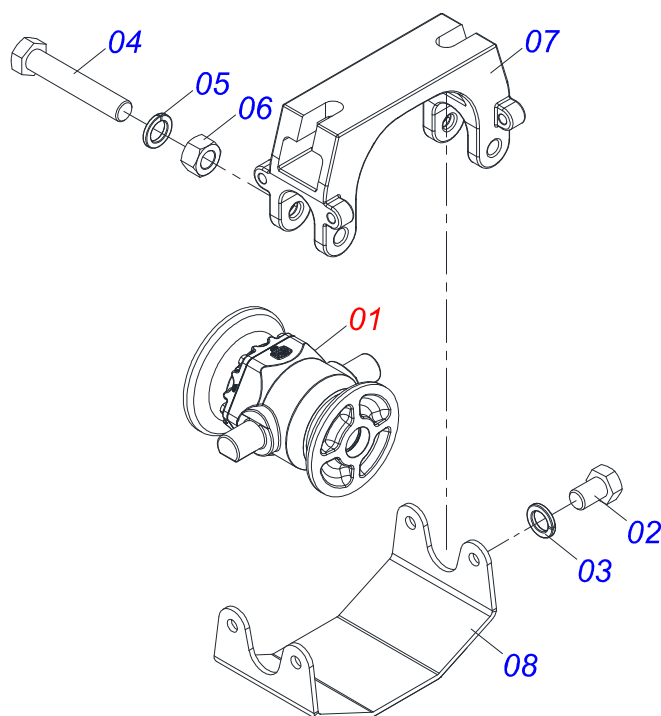


Item	Code	Description	See page	QT
01	0511067334	HOSE SUPPORT		01
02	0503010014	3/4" ZN G.5 (HEAVY) UNC HEX NUT		02
03	0501010322	20,50 X 46 X 4,00 ZN FLAT WASHER		02

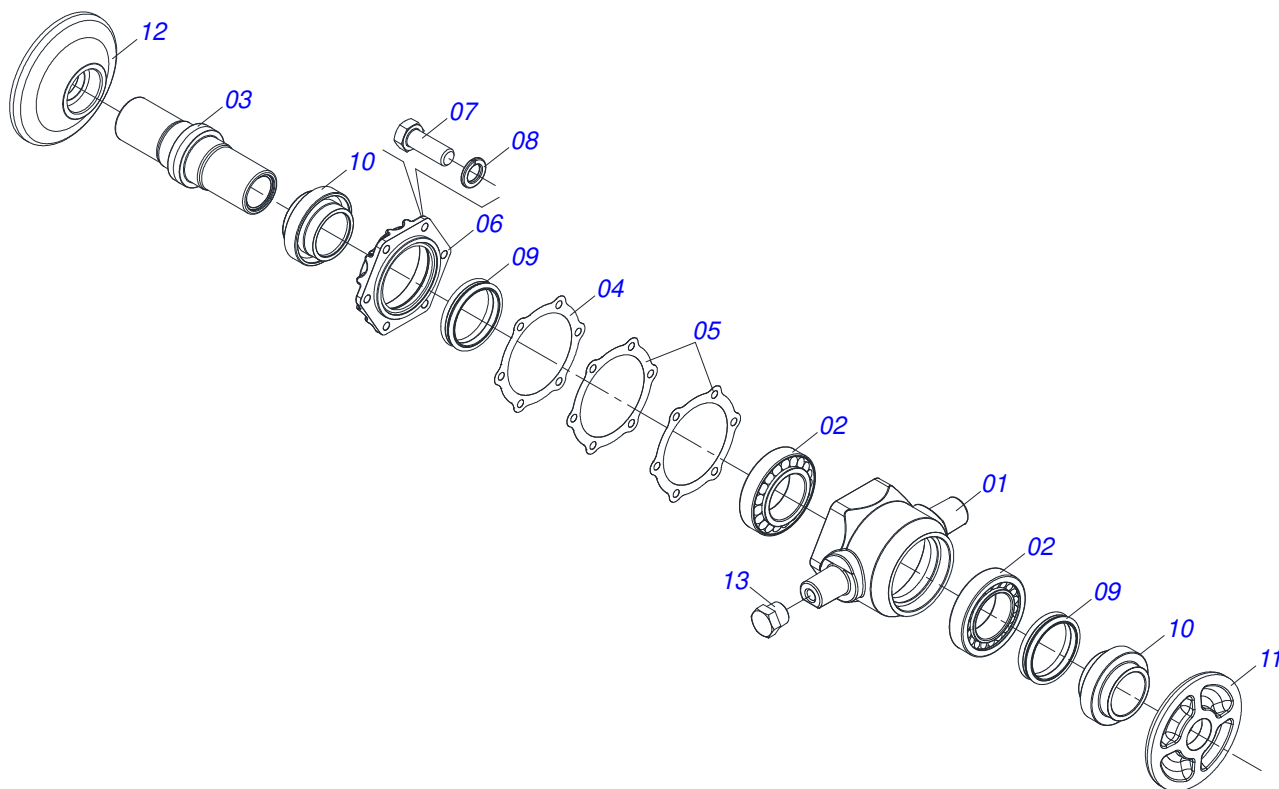
MALE QUICK COUPLER



Item	Code	Description	See page	QT
01	0503011627	MALE QUICK COUPLER AGR 1/2 NPT		01
02	0503011882	MALE QUICK COUPLER CAP		01



Item	Code	Description	See page	QT
01	0501059734	AGRICULTURAL BEARING DMO 225 X 1.5/8 MM IMP 16	16	01
02	0503010834	1/2 X 1 BOLT		04
03	0503010019	1/2" SPRING WASHER		04
04	0503010762	SCREW 5/8 UNC X 3.1/2 CS G.5 ZN		02
05	0503010027	5/8 SPRING WASHER		02
06	0503010013	5/8" UNC G.5 ZN HEX NUT		02
07	0502012626	CENTER OSCILLATING BEARING SUPPORT		01
08	0501213923	BEARING PROTECTION COVER		01



Item	Code	Description	See page	QT
01	0502020691	BEARING HUB		01
02	0503010005	32212 ROLLER BEARING		02
03	0502010899	AXLE CM/DM		01
04	0503030685	5.5" X 4.4" X 0.003" GASKET		01
05	0503030030	5.6" X 4.4" X 0.01" GASKET		02
06	0502020161	WEAR PLATE BEARING		01
07	0503010237	3/8" X 1" BOLT		06
08	0503011443	SPRING WASHER 3/8"		06
09	0503030027	DUO-CONE SEAL		02
10	0502040287	SEAL RETAINER		02
11	0502040239	OUTER FLANGE		01
12	0502040240	INNER FLANGE		01
13	0503010856	OIL PLUG R 3/8 BSPT		02



MARCHESAN

Technical Publications | Elaboration and Revision

LEONARDO JOSÉ DA SILVA SOUZA

www.marchesan.com.br

