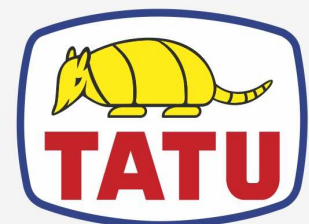


**OFFSET DISK HARROW**

**GAICR - 44/48D - AXIS 1.3/4" - PN400/60**  
**GAICR - 44/48D - EIXO 1.3/4" - PN400/60**

**Code:** 0501093787  
**Series:** S-0923  
**Revision:** 00  
**Revision Date:** APRIL/2024

# **PARTS CATALOGUE**



**MARCHESAN**



# PRODUCTS

Code	Working Width	Description
0102260731		GAICR 44X28X7,50 DR DMO E 1.3/4 PN400/60 S-0923
0102260819		GAICR 48X26X6 DR DMO E 1.3/4 PN400/60 FF S-0923
0102260818		GAICR 48X28X7,50 DR DMO E 1.3/4 PN400/60 S-0923
0102260820		GAICR 48X30X7,5 DR DMO E 1.3/4 PN400/60 S-0923

## ATTENTION: IMPORTANT

Marchesan S.A. reserves the right to improve and/or modify the technical features of its products, without obligation to do the same with those products already sold and without prior knowledge of the dealer or the customer. The photos are only illustrative.

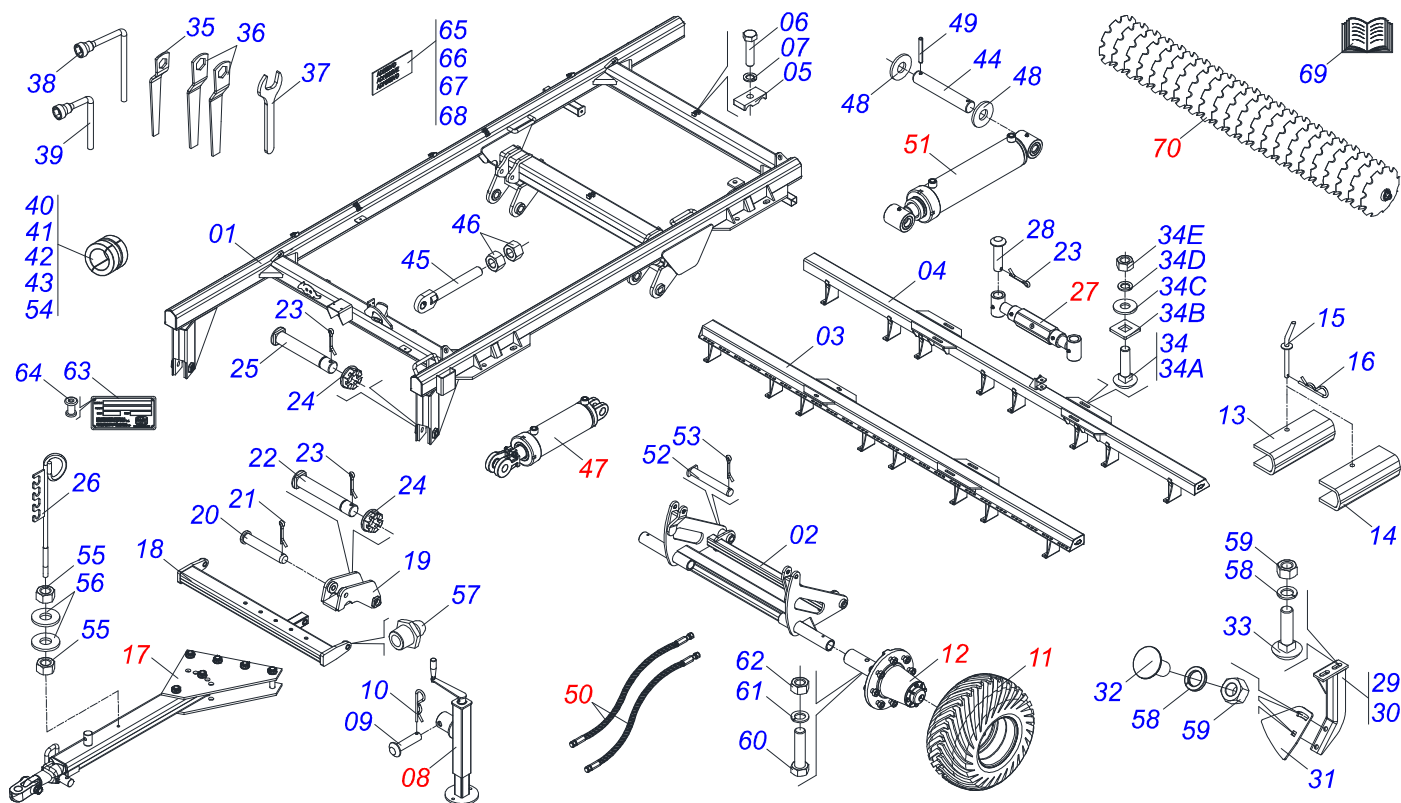


**MARCHESAN**

# INDEX

0909097174	ASSY FRAME	.....	1
0511048088	DRAWBAR JACK	.....	2
0503060102	WHEEL AND TIRE 400/60 - 14L RIGHT	.....	3
0501056467	WHEEL WITHOUT TIRE	.....	4
0521041026	DRAWBAR ASSY	.....	5
0501052005	STABILIZER FOR GANG	.....	6
0511058419	HYDRAULIC CYLINDER 50,80 X 101,60 X 514 X 206	.....	7
0909097176	HYDRAULIC CIRCUIT	.....	8
0521041328	HYDRAULIC CYLINDER 50,80 X 101,60 X 654 X 346	.....	9
0501053834	MALE QUICK COUPLER	.....	10
0909097175	DISC GANG ASSY	.....	11
0531045626	AGRICULTURAL BEARING DMO 262 X 1.3/4 WITH SUPPORT	.....	12
0531052860	AGRICULTURAL BEARING	.....	13

ASSY FRAME



Item	Code	Description	See page	44	48
01	0521063395	FRAME		01	01
02	0521063396	WHEEL		01	01
03	0511066041	FRONT FRAME		01	00
03.	0521067811	FRONT FRAME - 48D		00	01
04	0511066042	REAR FRAME		01	00
04.	0521067812	REAR FRAME - 48D		00	01
05	0502012702	BODY SUPPORT CLAMP		04	04
06	0503012555	7/16" UNC X 2" CS RT G.7 ZN SCREW		03	04
07	0503010180	7/16" SPRING WASHER		03	04
08	0511048088	DRAWBAR JACK	2	01	01
09	0561014251	COUPLING SHAFT		01	01
10	0503030012	HITCH PIN CLIP		01	01
11	0503060102	WHEEL AND TIRE 400/60 - 14L RIGHT	3	02	02
12	0501056467	WHEEL WITHOUT TIRE	4	02	02
13	0561016693	TRANSPORT LOCK		02	02
14	0551010332	TRANSPORT LOCK		01	01
15	0541016844	FIXER LOCK		03	03
16	0503030285	HITCH PIN CLIP		04	04
17	0521041026	DRAWBAR ASSY	5	01	01
18	0521063399	OFFSET BAR		01	01
19	0511064656	DRAWBAR PIVOT		01	01
20	0531019171	1.25" X 7" COUPLING SHAFT		01	01
21	0503010523	1/4" X 2" SPLIT PIN		04	04
22	0521812053	1.5" X 8.6" AXLE		01	01
23	0503010010	SPLIT PIN 1/4" X 2.1/2"		03	03
24	0501011301	1.1/2" UNC 6FPP 2.5/16" NUT		03	03
25	0531018100	37,50 X 200 COUPLING SHAFT		02	02
26	0511067334	HOSE SUPPORT		01	01
27	0501052005	STABILIZER FOR GANG	6	01	01
28	0521810546	AXIS 31,75X145		02	02
29	0511065925	REAR SCRAPER SUPPORT		23	25
30	0511065926	FRONT SCRAPER SUPPORT		22	26

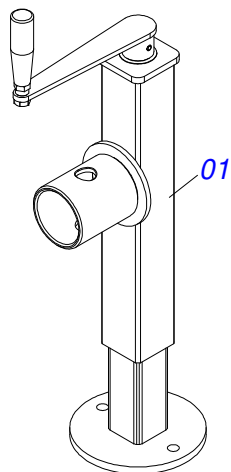


## ASSY FRAME

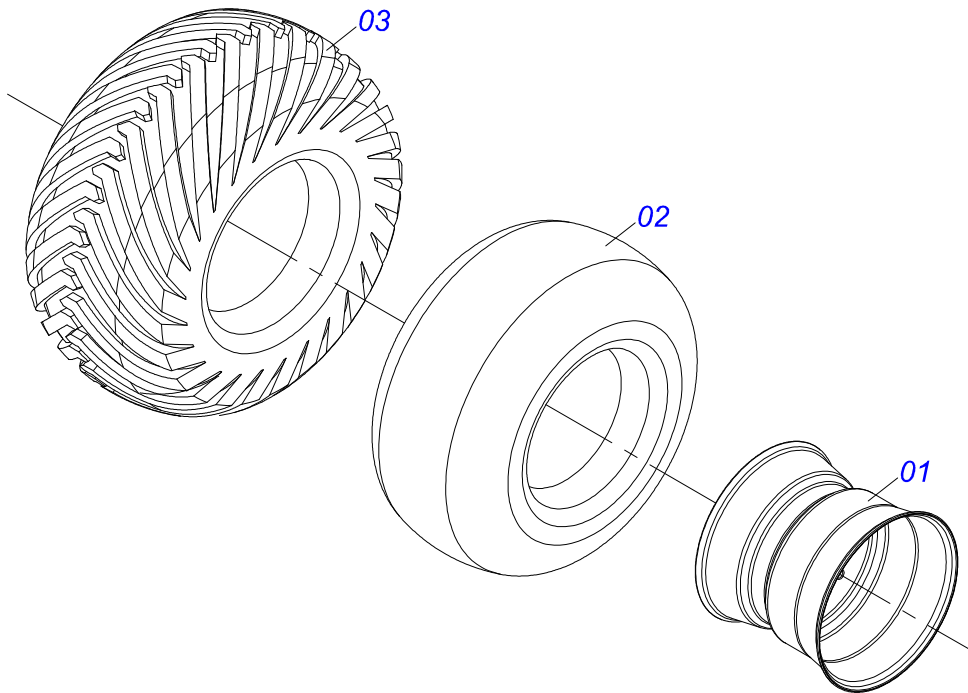
0909097174

Item	Code	Description	See page	44	48
31	0561014263	CLEANER SHOVEL		45	49
32	0503012195	5/8" NUT		90	98
33	0503013842	5/8" UNC X 1-3/4" BOLT		90	98
34	0501041102	1-1/4" X 3-3/4" ASSY BOLT		08	08
34A	0501015348	1-1/4" X 3-3/4" BOLT		01	01
34B	0501010953	1-1/4" SQUARE WASHER		01	01
34C	0531010713	FLAT WASHER		01	01
34D	0503010070	SPRING WASHER		01	01
34E	0501010087	1.1/4" NUT		01	01
35	0501011432	1-1/2" AND 1-5/8 GANG BOLT WRENCH		01	01
36	0501011431	1-3/4" GANG BOLT WRENCH		02	02
37	0511010153	2-5/16" FIXED WRENCH		01	01
38	0503016140	3/4" WRENCH CABLE CYLINDRICAL		01	01
39	0503016137	1-1/4" WRENCH CABLE CYLINDER		01	01
40	0501047895	25 ROD STOP		03	03
41	0501047885	30 ROD STOP		03	03
42	0501047886	35 ROD STOP		01	01
43	0501047887	40 ROD STOP		01	01
44	0531018101	1.2" X 6.3" PIVOT SHAFT		04	04
45	0511064433	REGULATOR SPINDLE 1-3/4		01	01
46	0501010333	1.3/4" NUT		02	02
47	0511058419	HYDRAULIC CYLINDER 50,80 X 101,60 X 514 X 206	7	01	01
48	0501017779	FLAT WASHER 32 X 60 X 4,75		08	08
49	0503011877	0.3" X 2.4" SPRING PIN		08	08
50		HYDRAULIC CIRCUIT	8		
51	0521041328	HYDRAULIC CYLINDER 50,80 X 101,60 X 654 X 346	9	02	02
52	0521063252	50,85 X 332 AXLE		02	02
53	0503010073	3/8" X 3.1/2" SPLIT PIN		02	02
54	0501047888	45 ROD STOP		01	01
55	0503010014	3/4" ZN G.5 (HEAVY) UNC HEX NUT		02	02
56	0501810322	FLAT WASHER		02	02
57	0503010002	1800 GREASE FITTING		07	07
58	0503010027	5/8 SPRING WASHER		90	98
59	0503010013	5/8 UNC G.5 ZN HEX NUT		90	98
60	0503013185	BOLT 3/4" UNC X 5.1/2 C S G.7 ZN		02	02
61	0503010023	3/4" SPRING WASHER		02	02
62	0503010014	3/4" ZN G.5 (HEAVY) UNC HEX NUT		02	02
63	0503034003	61 X 118 SERIAL NUMBER TAG		01	01
64	0503010001	RIVET 3,2 X 5,5		04	04
65	0503060787	GAICR DECAL SET		01	01
66	0503031087	AUTO CONTROL APPROVED DECAL		01	01
67	0503031827	DAILY LUBRICATION AND RETIGHTENING DECAL		01	01
68	0503031738	WARNING DECAL		01	01
69	0511034883	BAG WITH INSTRUCTION MANUAL		01	01
70		DISC GANG ASSY	11		

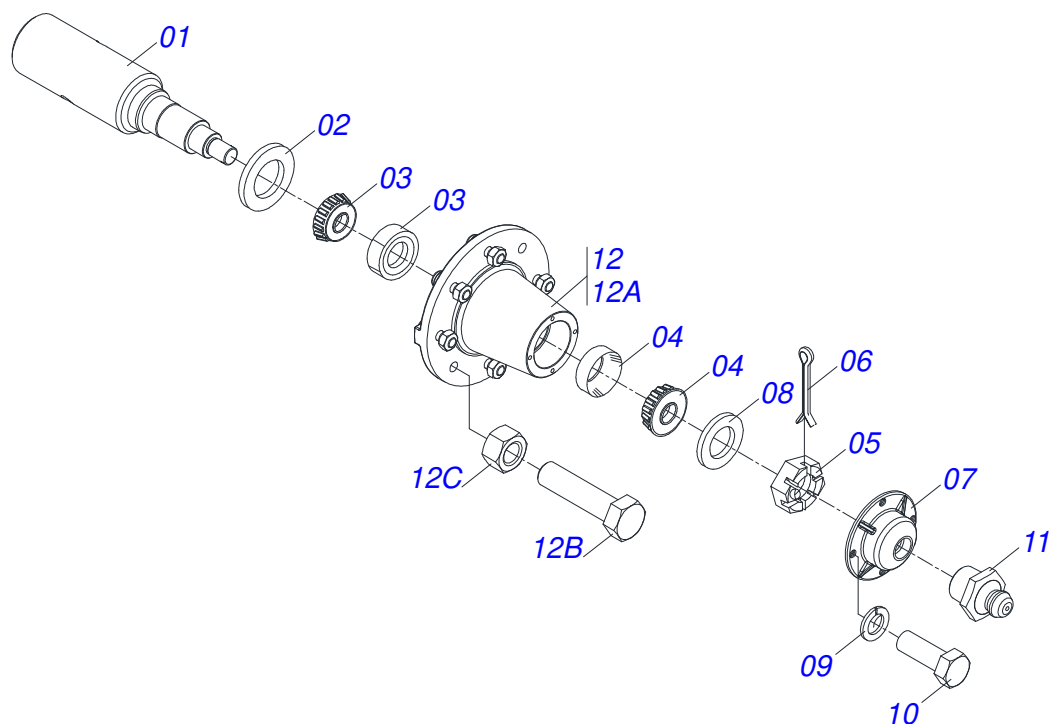
DRAWBAR JACK



Item	Code	Description	See page	QT
01	0503062227	DRAWBAR JACK		01



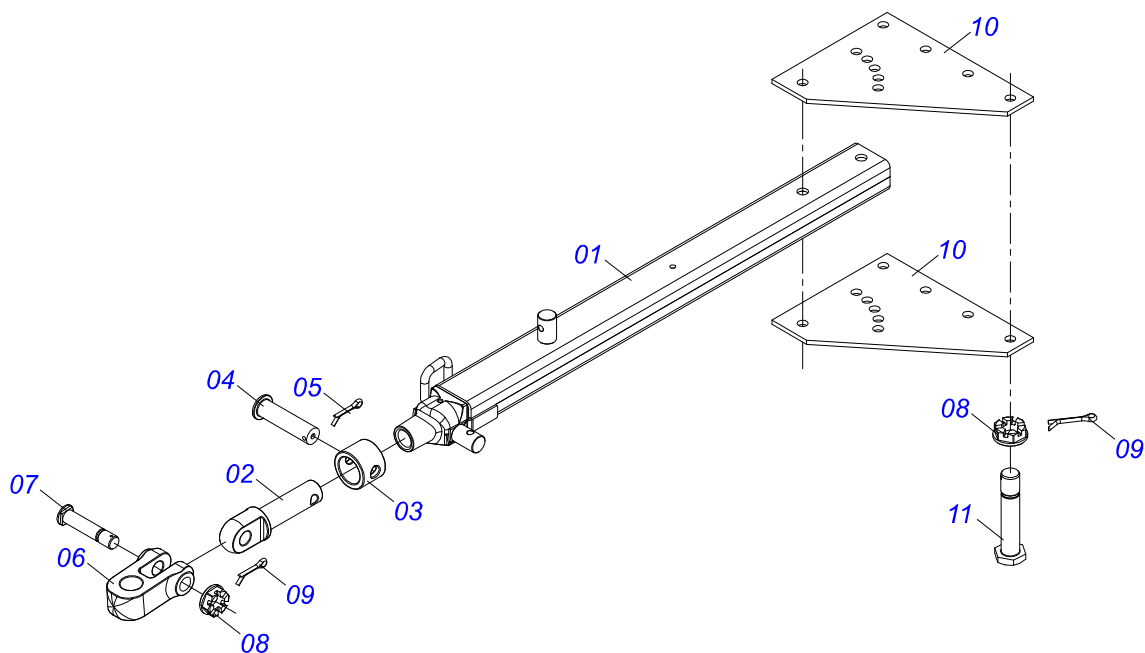
Item	Code	Description	See page	QT
01	0501069483	WHEEL 13 X 15,5 - 21FT		01
02	0503012112	400/60 - 15.5 TR 15 INNER TIRE		01
03	0503013119	CANVAS TIRE 400/60-15,5-T404-14L TRELEBORG		01



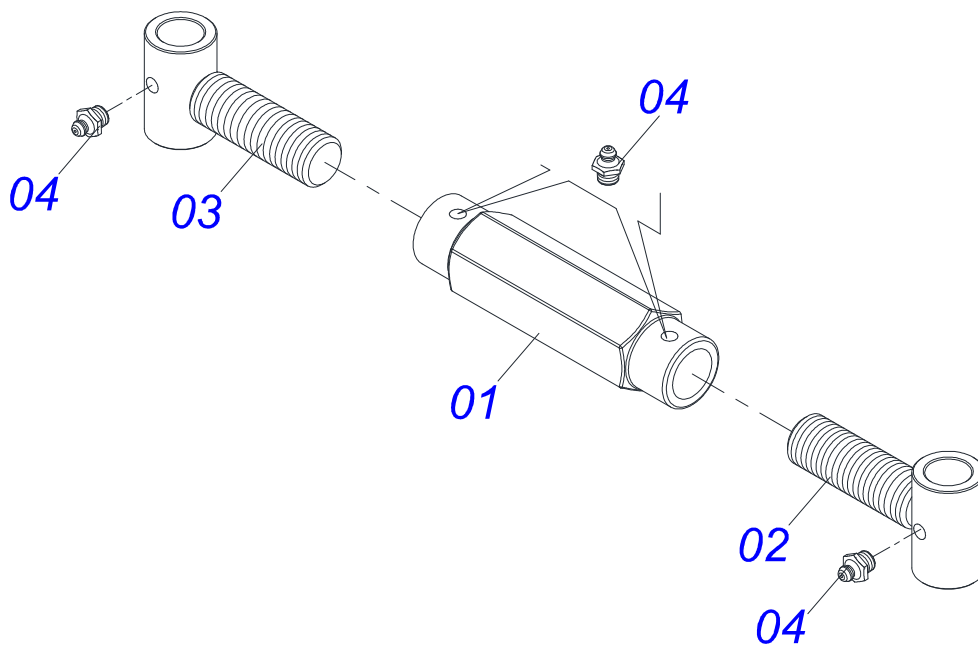
Item	Code	Description	See page	QT
01	0541016566	SPINDLE 3.1/2 X 375		01
02	0503013314	RETAINER 5166-GB 63,5 X 110 X 13 ARCA		01
03	0503015290	ROLLER BEARING 3780/3720		01
04	0503014821	ROLLER BEARING 2780/2720		01
05	0503830009	CASTLE NUT R 1 UNS 14FPP X 22 SA		01
06	0503010018	5/32" X 1-1/2" SPLIT PIN		01
07	0502020591	PROTECCION COVER		01
08	0511812492	FLAT WASHER 28 X 46 X 6,30 AS		01
09	0503011444	SPRING WASHER 5/16"		04
10	0503810358	BOLT 5/16 UNC X 7/8" C S G.5 SA		04
11	0503010002	1800 GREASE FITTING		01
12	0501110738	CARRYING WHEEL HUB 21FT		01
12A	0502012260	TRANSPORT CARRYING-WHEEL HUB		01
12B	0501010186	WHEEL BOLT 5/8"UNF X 2.1/8CR		08
12C	0503010064	5/8 UNF CONIC NUT		08



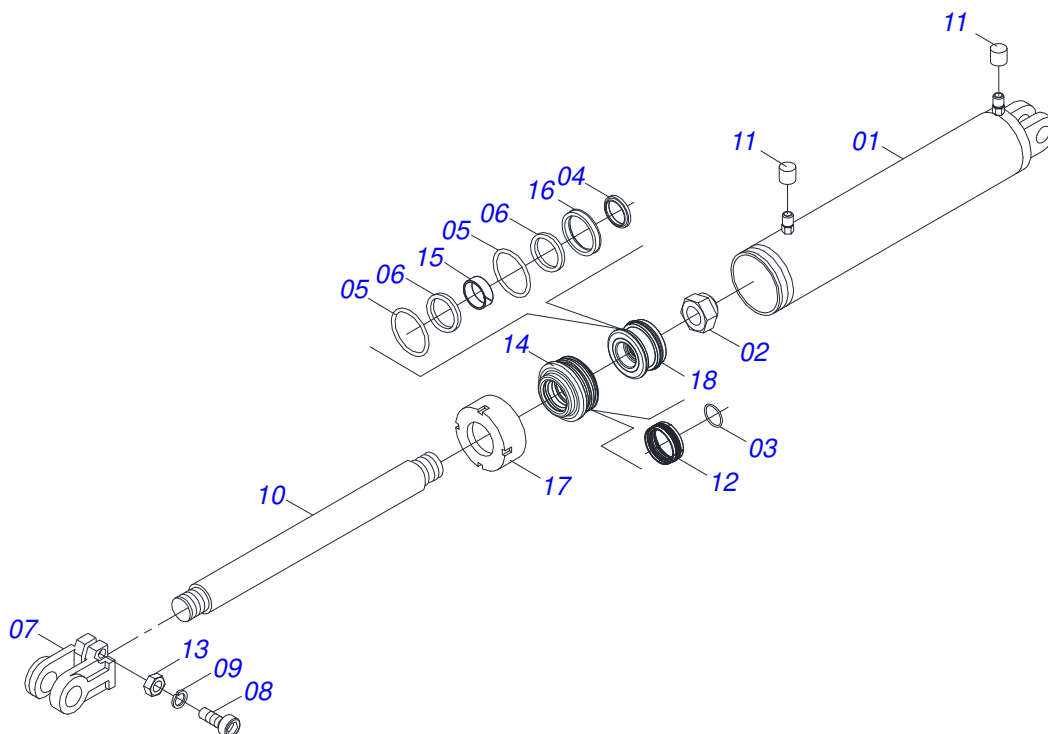
DRAWBAR ASSY



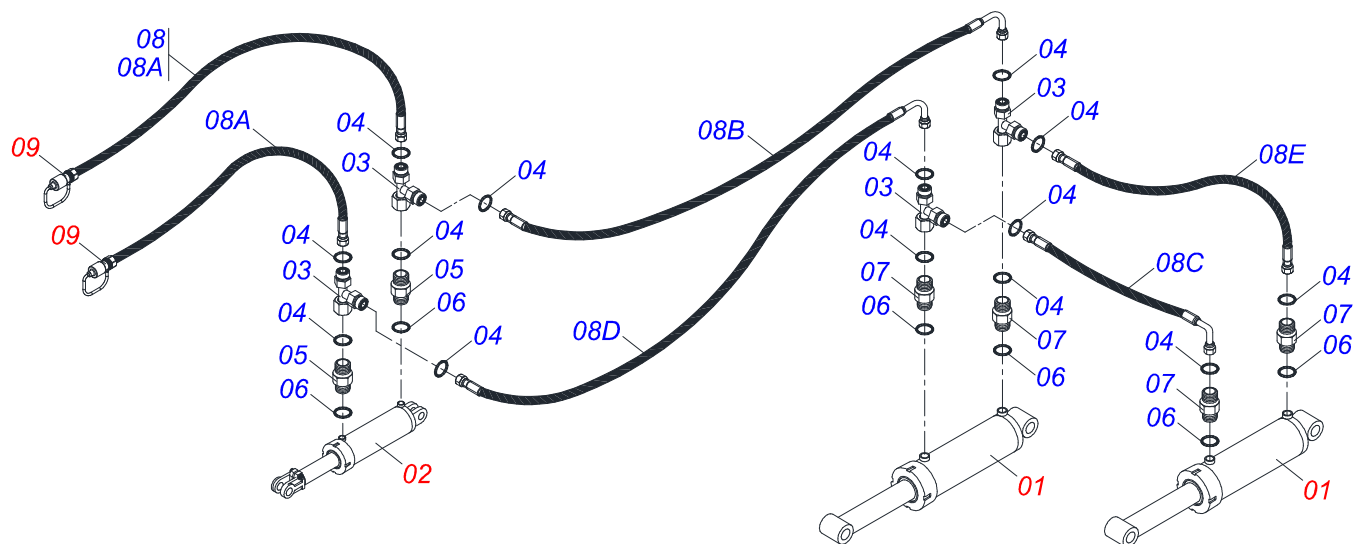
Item	Code	Description	See page	QT
01	0501069323	TRACTION BAR		01
02	1902040223	PIN HITCH		01
03	0502040327	HITCH LOCK RING		01
04	0511014902	COUPLING SHAFT		01
05	0503010571	1/4" X 1.1/2" SPLIT PIN		01
06	0502040732	CLEVIS		01
07	0521012545	COUPLING SHAFT		01
08	0501011301	1.1/2" UNC 6FPP 2.5/16" NUT		07
09	0503010010	SPLIT PIN 1/4" X 2.1/2"		06
10	0511016137	UPPER /LOWER PLATE		02
11	0501016419	1-1/2" X 7.5" BOLT		06



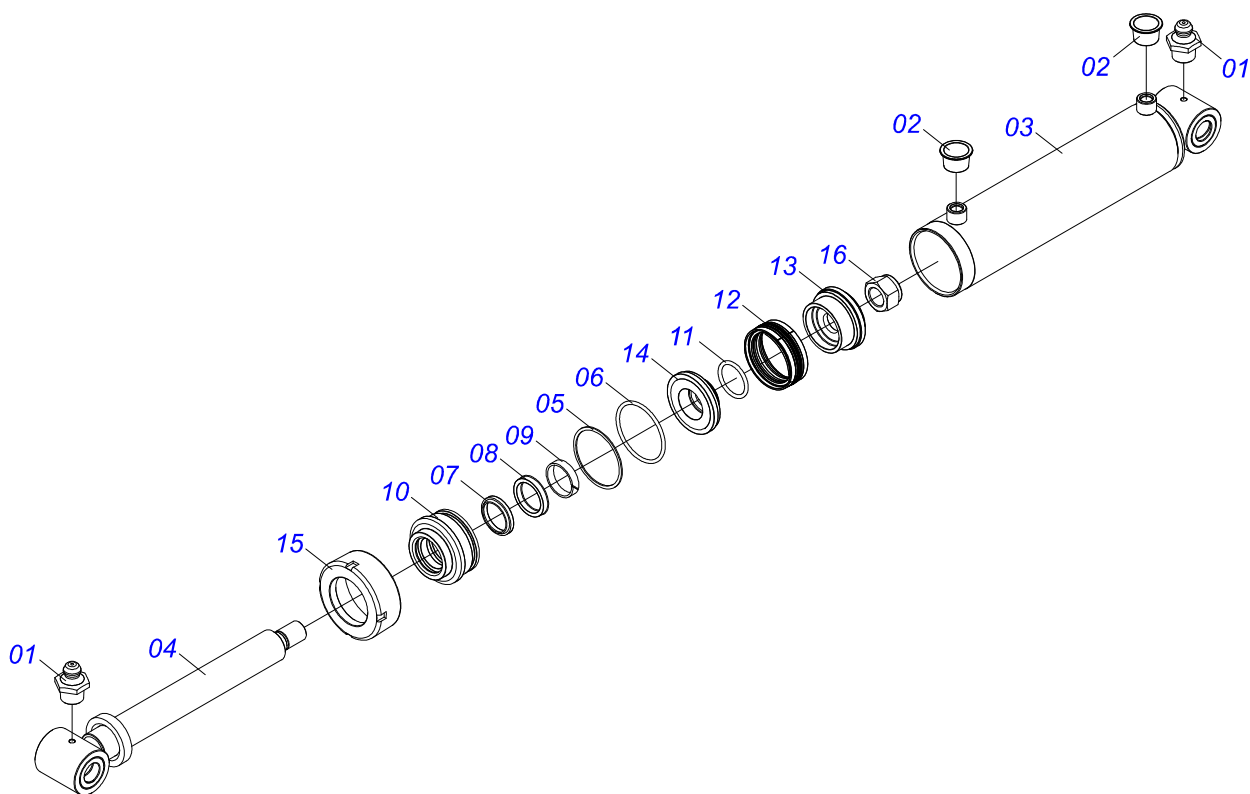
Item	Code	Description	See page	QT
01	0502011469	245 ADJUSTMENT NUT		01
02	0501069416	JACKET		01
03	0501069417	JACK CRANK		01
04	0503010002	1800 GREASE FITTING		04



Item	Code	Description	See page	QT
01	0511061336	101,6 X 398 CYLINDER CASE		01
02	0503010817	1.1/4" SELF LOCKING NUT		01
03	0503010345	2-218 N 3006-9B O'RING		01
04	0503015636	SCRAPER SEAL		01
05	0503010338	2-342 N 3006-9B O'RING		02
06	0503011061	8-342 BACK-UP RING		02
07	0502040747	32.54 CLEVIS CLAMP		01
08	0503011094	BOLT 3/8" UNC X 2" C C S I 12.9		01
09	0503011443	SPRING WASHER 3/8"		01
10	0521010422	HYDRAULIC CYLINDER TURNBUCKLE		01
11	0503030384	PLUG N-001		02
12	0503015633	SELEMASTER SEALING		01
13	0503010026	3/8" NUT		01
14	0581010678	50,80 X 101 RING SUPPORT		01
15	0503018025	RING GUIDE W2-2250-750		01
16	0503018026	GASKET 1870-2000-375 B POLYMAX		01
17	0502012822	END CAP 4"		01
18	0502012842	50,80 X 101,60 PISTON		01
19	0511032511R	HYDRAULIC CYLINDER REPAIR KIT		01

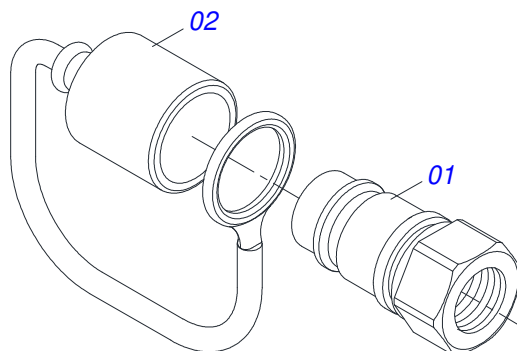


Item	Code	Description	See page	QT
01	0521041328	HYDRAULIC CYLINDER 50,80 X 101,60 X 654 X 346	9	02
02	0511058419	HYDRAULIC CYLINDER 50,80 X 101,60 X 514 X 206	7	01
03	0503013637	T 1/2" MALE ADAPTER		04
04	0503011030	2-014 N 3006-9B O'RING		14
05	0503032031	3/4" UNF REDUCTION NIPPLE		02
06	0503010190	2-114 N 3006-9B O'RING		06
07	0503030923	3/4" UNF X 13/16UN OFS X 40 NIPPLE		04
08	0511052166	HOSE SET		01
08A	0501080917	1/2" X 216.53" TR-TM OFS HOSE		02
08B	0501081075	1/2" X 4000 TR-TC HOSE ASSY		01
08C	0501081096	1/2" X 2200 TR-TC HOSE		01
08D	0501081593	HOSE TR-TC		01
08E	0501081758	HOSE TR-TR		01
09	0501053834	MALE QUICK COUPLER	10	02



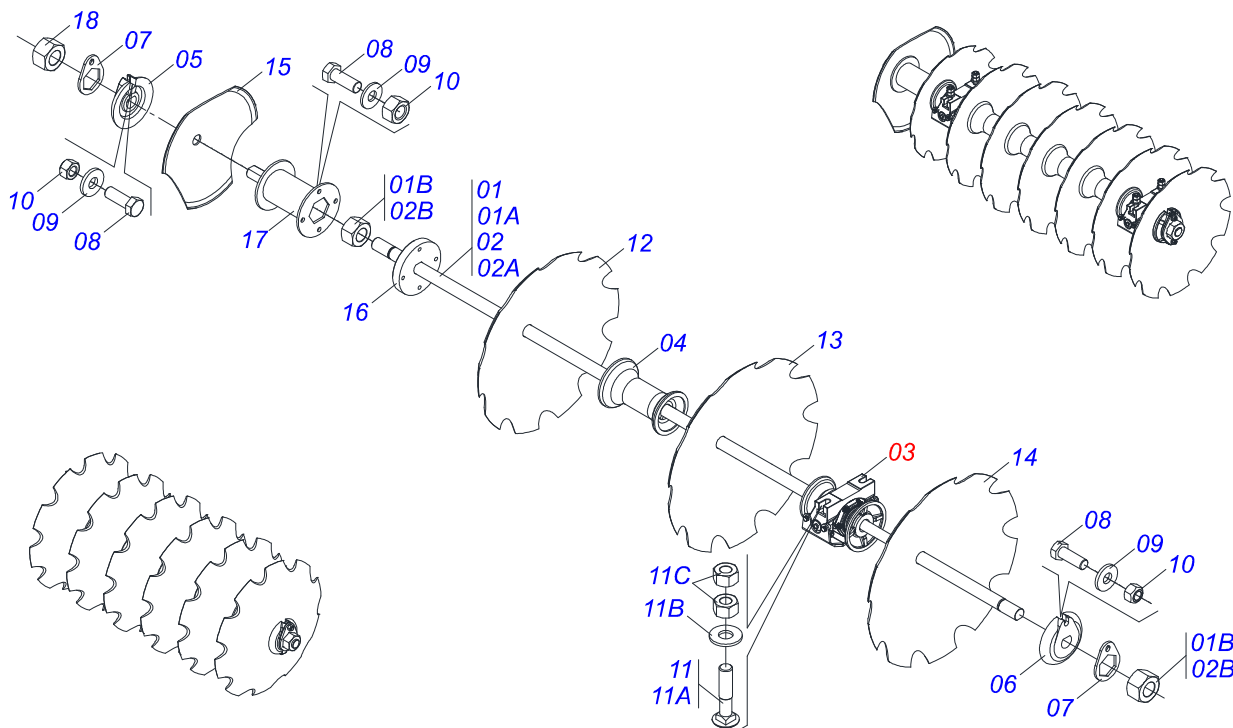
Item	Code	Description	See page	QT
01	0503010002	1800 GREASE FITTING		02
02	0503030384	PLUG N-001		02
03	0501079791	101,6 X 528,5 CYLINDER CASE		01
04	0521063513	TURNBUCKLE		01
05	0503011061	8-342 BACK-UP RING		01
06	0503010338	2-342 N 3006-9B O'RING		01
07	0503015636	SCRAPER SEAL		01
08	0503015635	U-CUP SEAL		01
09	0503015634	RING SLYDRING		01
10	0502012642	SUPPORT OF THE RINGS		01
11	0503010345	2-218 N 3006-9B O'RING		01
12	0503015633	SELEMASTER SEALING		01
13	0561016387	PISTON BODY		01
14	0561016389	PISTON BODY		01
15	0502010017	4" LID		01
16	0503010817	1.1/4" SELF LOCKING NUT		01

MALE QUICK COUPLER



Item	Code	Description	See page	QT
01	0503011627	MALE QUICK COUPLER AGR 1/2 NPT		01
02	0503011882	MALE QUICK COUPLER CAP		01

DISC GANG ASSY



Item	Code	Description	See page	44	48
01	0501040360	1.3/4" X 1250 AXLE WITH NUT		04	00
01A	0501011425	1.3/4 X 1250 AXLE		01	00
01B	0501810333	1.3/4 NUT		02	00
02	0501040361	1.3/4 X 1520 AXLE WITH NUT		04	08
02A	0501011424	1,3/4" X 1520 AXLE		01	01
02B	0501810333	1.3/4 NUT		02	02
03	0531045626	AGRICULTURAL BEARING DMO 262 X 1.3/4 WITH 12 SUPPORT		16	16
04	0502010400	263 SPACER		20	24
05	0502012222	1-3/4" EXTERNAL AXLE WASHER		08	08
06	0502012221	1-1/2" INNER AXLE WASHER		08	08
07	0511014339	1-5/8" 2.8" NUT LOCK		16	16
08	0503010232	5/8" X 1.3/4" BOLT		20	20
09	0503010027	5/8 SPRING WASHER		20	20
10	0503010013	5/8 UNC G.5 ZN HEX NUT		20	20
11	0521047424	SCREW ASSY		32	32
11A	0501010500	3/4" X 3" BOLT		01	01
11B	0501010322	20,50 X 46 X 4,00 ZN FLAT WASHER		01	01
11C	0503012183	SNC 3/4" ZIN 1K03097 NUT		02	02
12	0602040041	DR 30 X 7,50 C105AF04FR1.13/16 10R		44	48
12.	0602037001	DR 28 X 7,50 C102AF04FR1.13/16 10R		44	48
12..	0602033056	26" X 7,5 MM NOTCHED SIC BLADE		01	00
13	0602033006	DR 26 X 6,00 C90AF04FR1.13/16 10R		44	48
13.	0602030006	24" X 0.2" NOTCHED DISC BLADE		01	01
14	0602030323	24" X 7,5 NOTCHED DISC BLADE		01	01
14.	0602030234	24" X 6 NOTCHED DISC		01	01
15	0602030442	24" X 7,5 NOTCHED DISC BLADE		01	00
15.	0602029414	22" X 6 NOTCHED DISC BLADE		01	00
15..	0602029395	22" X 7,5 NOTCHED DISC BLADE		01	00
15...	0602029214	22" X 6 NOTCHED DISC BLADE		01	00
15....	0602027336	20" X 0.3" NOTCHED DISC BLADE		01	00
16	0502012378	1-3/4" EXTERNAL AXLE WASHER		01	00

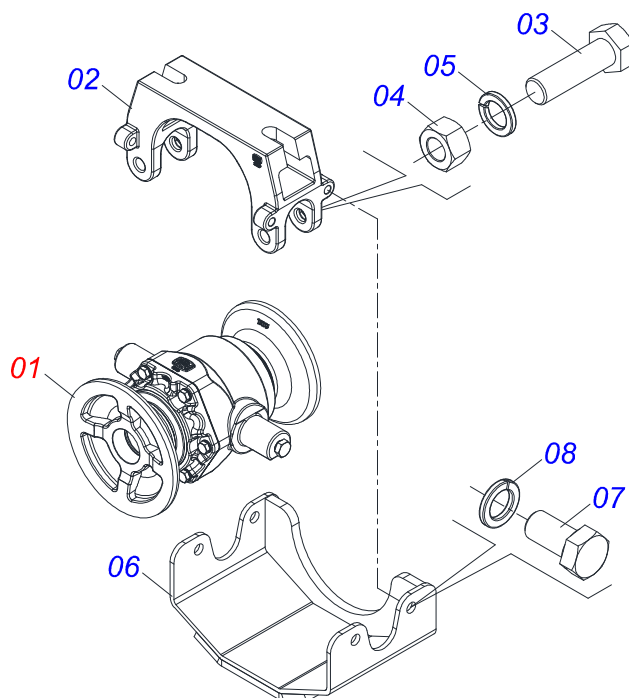


DISC GANG ASSY

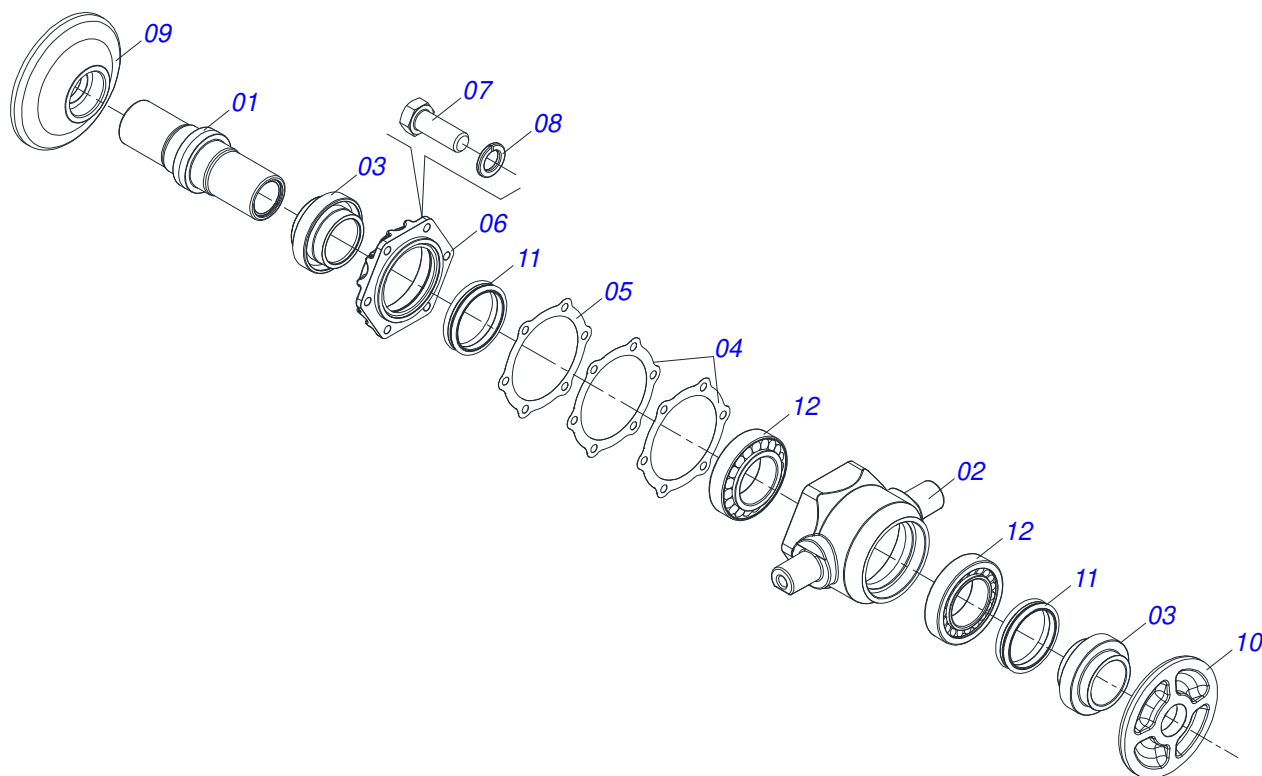
0909097175

Item	Code	Description	See page	44	48
17	0511067147	257 AXLE SPACER 1.3/4"		01	00
18	0501810333	1.3/4 NUT		01	00





Item	Code	Description	See page	QT
01	0531052860	AGRICULTURAL BEARING	13	01
02	0502012626	CENTER OSCILLATING BEARING SUPPORT		01
03	0503010762	SCREW 5/8 UNC X 3.1/2 CS G.5 ZN		02
04	0503010013	5/8 UNC G.5 ZN HEX NUT		02
05	0503010027	5/8 SPRING WASHER		02
06	0521067341	BEARING SWING COVER WITH ENHANCED		01
07	0503010834	1/2 X 1 BOLT		04
08	0503010019	1/2" SPRING WASHER		04



Item	Code	Description	See page	QT
01	0502010824	AXLE CM/DM		01
02	0502012343	AGRICULTURAL HOUSING BEARING		01
03	0502010823	SEAL RETAINER		02
04	0503030030	5.6" X 4.4" X 0.01" GASKET		02
05	0503030685	5.5" X 4.4" X 0.003" GASKET		01
06	0502020161	WEAR PLATE BEARING		01
07	0503010237	3/8" X 1" BOLT		06
08	0503011443	SPRING WASHER 3/8"		06
09	0502040141	OUTER FLANGE		01
10	0502040142	INNER FLANGE		01
11	0503030027	DUO-CONE SEAL		02
12	0503010104	3984/3920 ROLLER BEARING		02
13	0503010856	OIL PLUG R 3/8 BSPT		02
14	3402301275	TATU OIL		0,2 Lts





**MARCHESAN**

**Technical Publications | Elaboration and Revision**

ALESSANDRA PATRICIA KAWAHARA CARRILI

[www.marchesan.com.br](http://www.marchesan.com.br)

