

HINGE TYPE OFFSET DISK HARROW

GNDP 56/60D
GNDP 56/60D

Code: 0501093758
Series: S-1123
Revision: 00
Revision Date: JANUARY/2024

PARTS CATALOGUE



MARCHESAN



PRODUCTS

Code	Working Width	Description
0102530012		GNDP 56 X 22 X 4,5 MT DMO E 1.1/2 S-1123
0102530014		GNDP 60 X 22 X 4,5 MT DMO E 1.1/2 PN400/60 S-1123
0102530013		GNDP 60 X 22 X 4,5 MT DMO E 1.1/2 S-1123

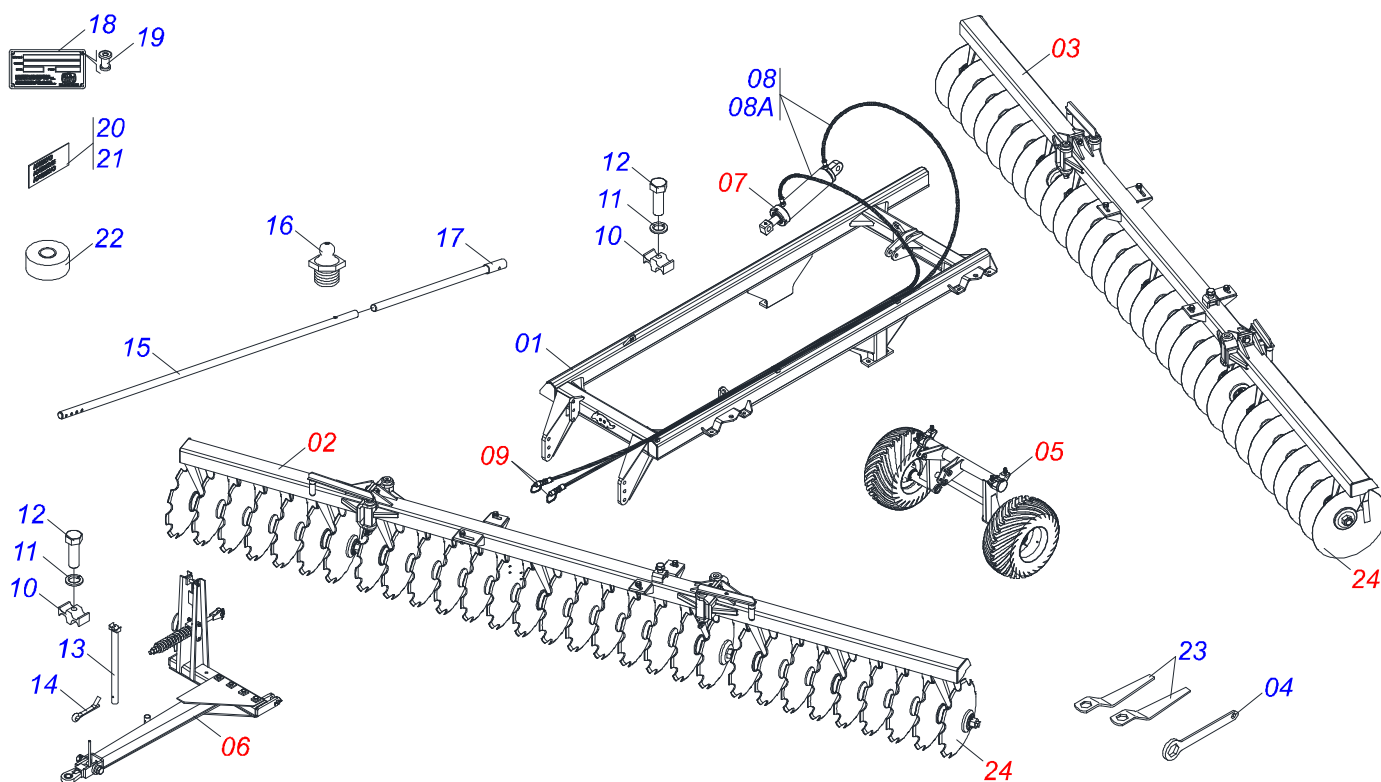
ATTENTION: IMPORTANT

Marchesan S.A. reserves the right to improve and/or modify the technical features of its products, without obligation to do the same with those products already sold and without prior knowledge of the dealer or the customer. The photos are only illustrative.

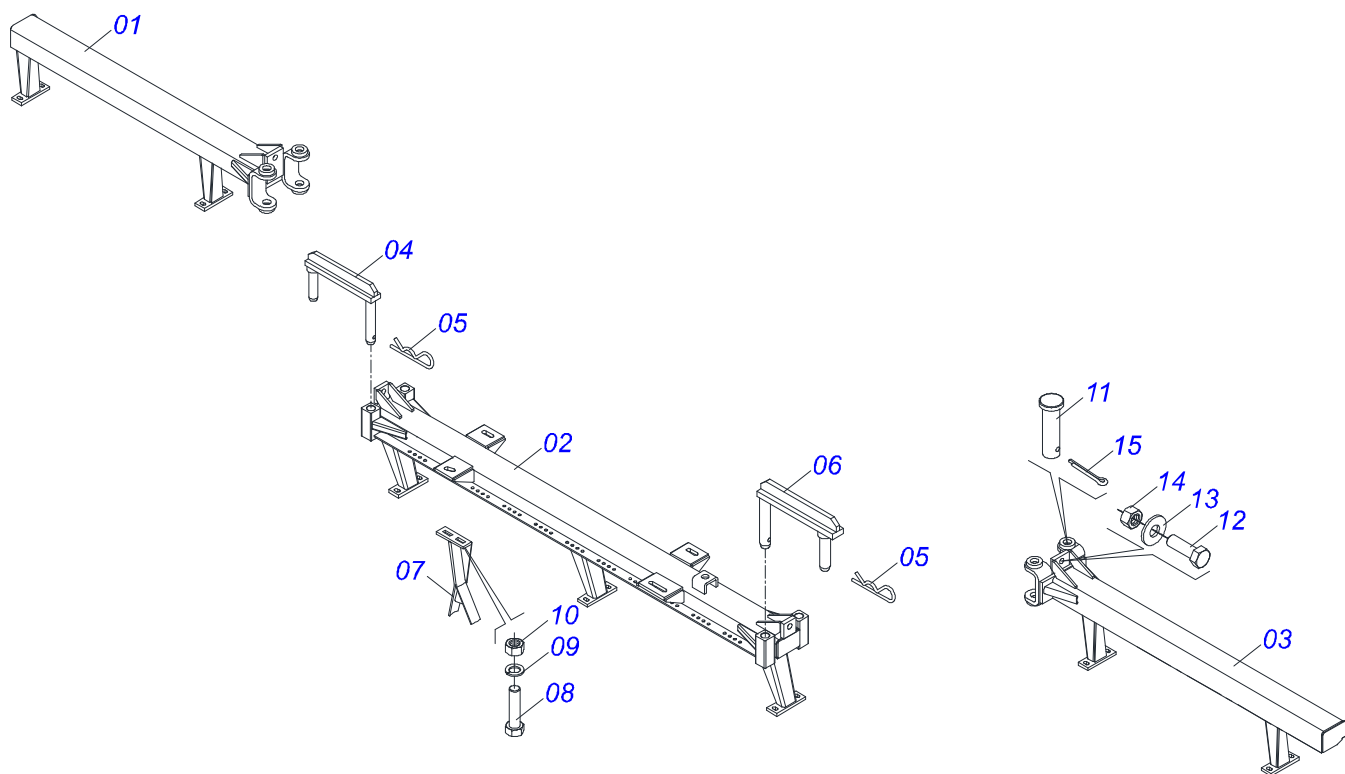


INDEX

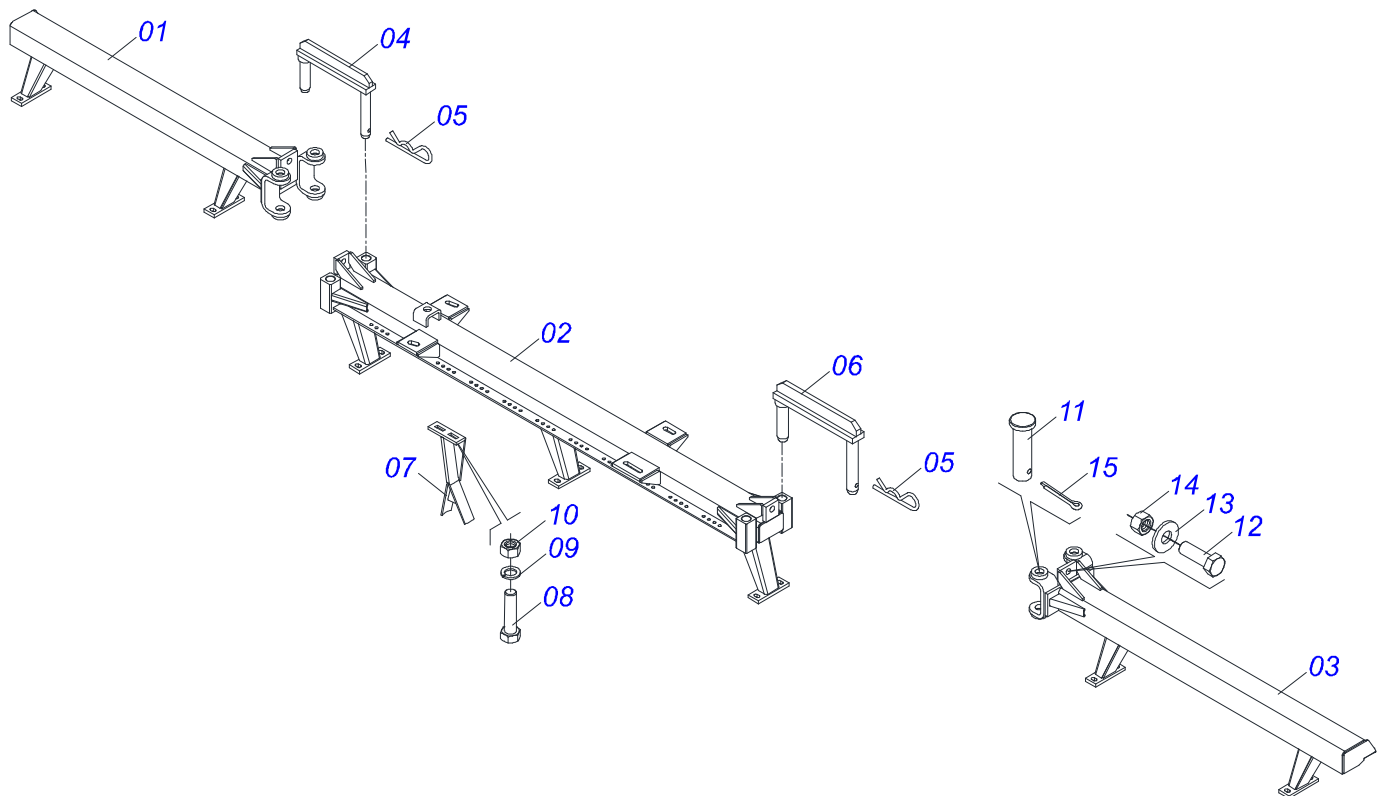
0909097052	ASSY FRAME	1
0909097053	COMPLETE FRONT FRAME	2
0909097054	COMPLETE REAR FRAME	3
0909097058	COMPLETE WHEELS - TIRE 7,50 X 16-10L	4
0909097055	COMPLETE WHEELS - TIRE 400/60 - 14L	5
0501054501	WHEEL HUB	6
0503060091	L29.5"X0.63"-10L WHEEL AND	7
0511058408	HYDRAULIC CYLINDER	8
0501055850	CARRYNG WHEEL HUB ASSEMBLY ASSY	9
0503061868	400/60 WHEEL WITH TIRE	10
0909097056	DRAWBAR ASSY	11
0511049366	AXLE ASSY	12
0501053834	MALE QUICK COUPLER	13
0909097057	ASSY DISCS GANG	14
0531042480	196 X 1.1/2 DMO AGRICULTURAL BEARING WITH PROTECTION SUPPORT	15
0531055221	196 X 1.1/2 IMP DMO AGRICULTURAL BEARING	16



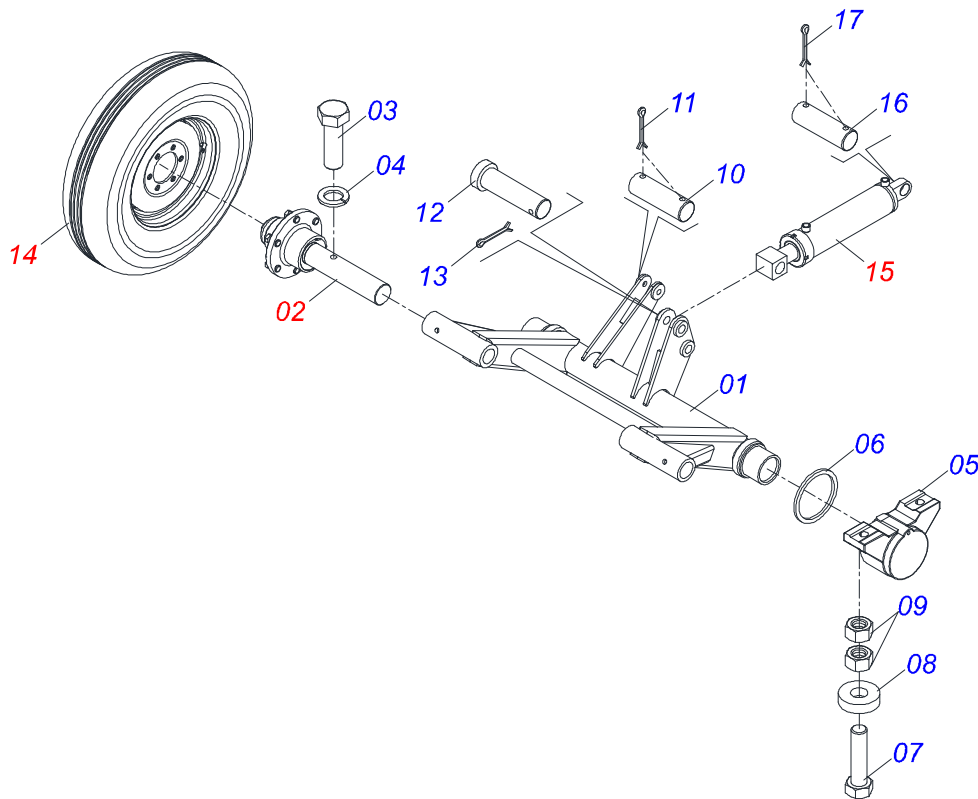
Item	Code	Description	See page	056	060
01	0521064007	FRAME		001	001
02		COMPLETE FRONT FRAME	2		
03		COMPLETE REAR FRAME	3		
04	0521013789	20146 KEY ADJUSTMENT SNC		001	001
05		COMPLETE WHEELS - TIRE 7,50 X 16-10L	4		
05.		COMPLETE WHEELS - TIRE 400/60 - 14L	5		
06		DRAWBAR ASSY	11		
07	0511058408	HYDRAULIC CYLINDER	8	001	001
08	0501053218	HOSE ASSY		001	001
08A	0501080803	TM-TM HOSE ASSY		002	002
09	0501053834	MALE QUICK COUPLER	13	002	002
10	0502012702	BODY SUPPORT CLAMP		004	004
11	0503010180	7/16" SPRING WASHER		004	004
12	0503012555	SCREW 7/16 UNC X 2 CS RT G.7 ZN		004	004
13	0511060205	SUPPORT HOSE CNS 20104N		001	001
14	0503012215	5/16" X 2.1/2" SPLIT PIN		001	001
15	0511060973	STABILIZER BAR		001	001
16	0503010002	1800 GREASE FITTING		001	001
17	0511060257	EXTENSION		001	001
18	0503034003	61 X 118 SERIAL NUMBER TAG		001	001
19	0503010001	RIVET 3,2 X 5,5		004	004
20	0503031428	READ MANUAL DECAL		001	001
20.	0503033038	DANGER DECAL		008	008
20..	0503031738	WARNING DECAL		001	001
21	0503062138	GNDP ADHESIVE LABEL SET		002	002
21.	0503031739	DANGER DECAL		001	001
22	0503013171	SEALING 1/2" X 10M 1J51066		001	001
23	0501011432	1-1/2" AND 1-5/8 GANG BOLT WRENCH		002	002
24		ASSY DISCS GANG	14		



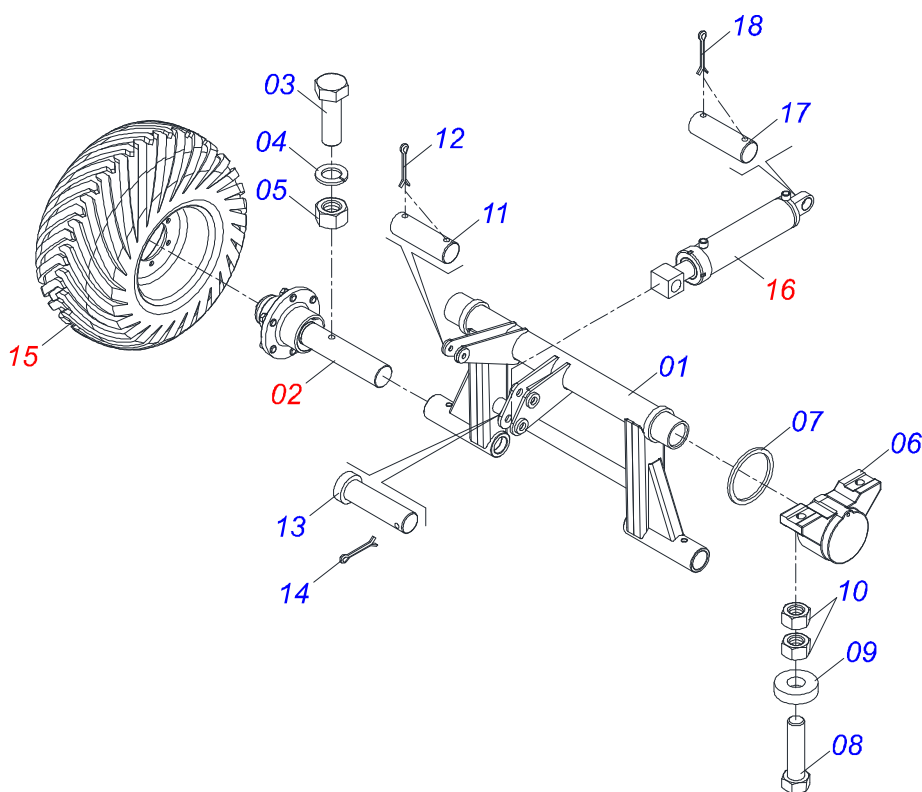
Item	Code	Description	See page	056	060
01	0511061007	RIGHT FRONT FRAME		001	000
01.	0511061018	RIGHT FRONT FRAME		000	001
02	0511060970	CENTRAL FRAME FRONT		001	001
03	0511061008	LEFT FRONT FRAME		001	000
03.	0511061017	LEFT FRONT FRAME		000	001
04	0511060978	LOCK PIN RIGHT FRONT		001	000
04.	0521066885	RIGHT FRONT LOCK PIN 420		000	001
05	0503031479	STAPLE		002	002
06	0511060977	LEFT FRONT LOCK PIN		001	001
07	0511060204	CLEANER		021	022
08	0503019588	BOLT		042	044
09	0503010019	1/2" SPRING WASHER		042	044
10	0503012682	1/2" BSW NUT		042	044
11	0511060935	PIN WITH HEAD		002	002
12	0501010276	BOLT		002	002
13	0501010065	1" SPRING WASHER		002	002
14	0503012182	1" NUT		002	002
15	0503010010	SPLIT PIN 1/4" X 2.1/2"		002	002



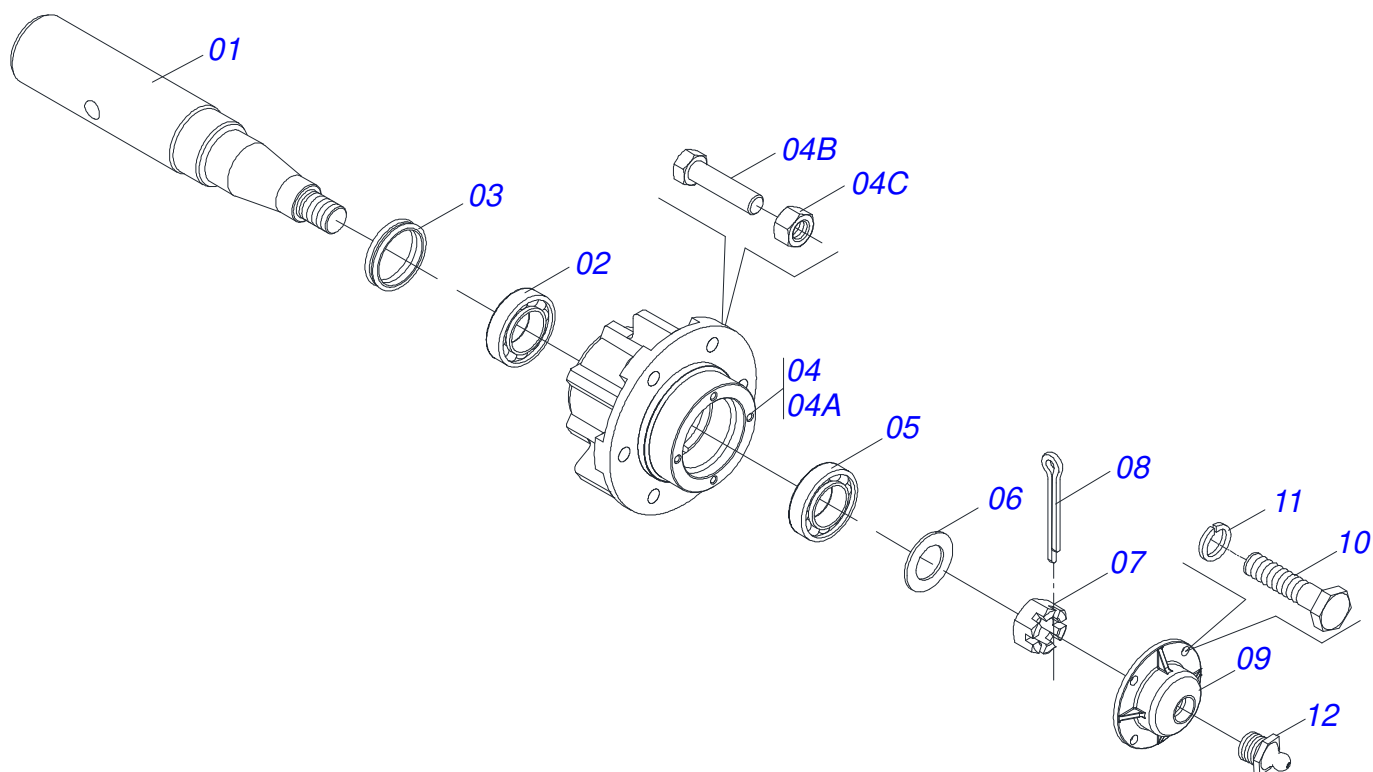
Item	Code	Description	See page	056	060
01	0511060996	RIGHT REAR FRAME		001	000
01.	0511061016	RIGHT REAR FRAME		000	001
02	0511060969	CENTRAL FRAME REAR		001	001
03	0511061006	LEFT REAR FRAME		001	000
03.	0511060997	LEFT REAR FRAME		000	001
04	0511060975	LOCK PIN RIGHT REAR		001	000
04.	0521066884	REAR RIGHT LOCK PIN 335		000	001
05	0503031479	STAPLE		002	002
06	0511060976	LOCK PIN LEFT REAR		001	000
06.	0521066883	LEFT REAR LOCK PIN 155		000	001
07	0511060204	CLEANER		021	022
08	0503019588	BOLT		042	044
09	0503010019	1/2" SPRING WASHER		042	044
10	0503012682	1/2" BSW NUT		042	044
11	0511060935	PIN WITH HEAD		002	002
12	0501010276	BOLT		002	002
13	0501010065	1" SPRING WASHER		002	002
14	0503012182	1" NUT		002	002
15	0503010010	SPLIT PIN 1/4" X 2.1/2"		002	002



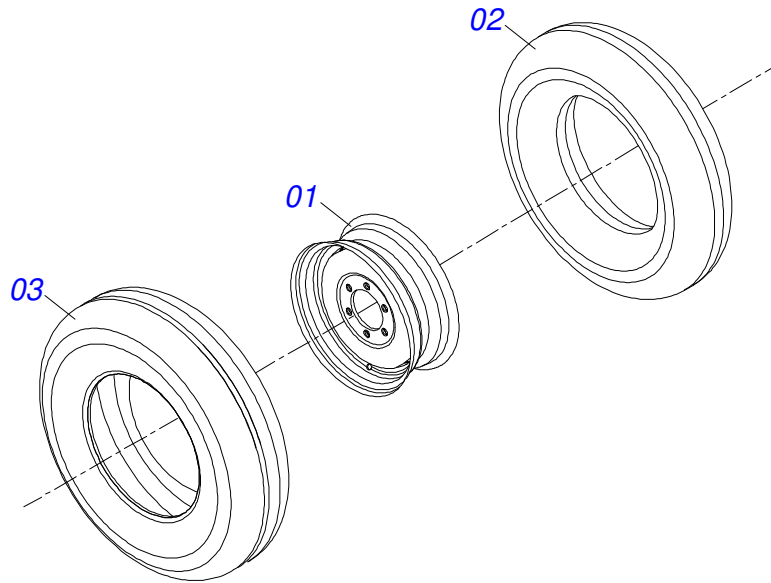
Item	Code	Description	See page	056	060
01	0511060971	WHEELS AXLE		001	001
02	0501054501	WHEEL HUB	6	002	002
03	0503010762	SCREW 5/8 UNC X 3.1/2 CS G.5 ZN		002	002
04	0503010027	5/8 SPRING WASHER		002	002
05	0502011583	BEARING AXLE		002	002
06	0503012223	FELT RING		002	002
07	0503010901	3/4UNC 3.1/2 BOLT		004	004
08	0521013710	WASHER SEMIMAN		004	004
09	0503012183	SNC 3/4" ZIN 1K03097 NUT		008	008
10	0521013839	WITHOUT HEADS PIN		001	001
11	0503010038	3/16" X 2" SPLIT PIN		003	003
12	0521013741	PIN WITH HEAD PN - 030 CIL		001	001
13	0503010010	SPLIT PIN 1/4" X 2.1/2"		001	001
14	0503060091	L29.5"X0.63"-10L WHEEL AND	7	002	002
15	0511058408	HYDRAULIC CYLINDER	8	001	001
16	0521013842	PIN WITHOUT HEAD PN - 097 CIL		001	001
17	0503010010	SPLIT PIN 1/4" X 2.1/2"		001	001



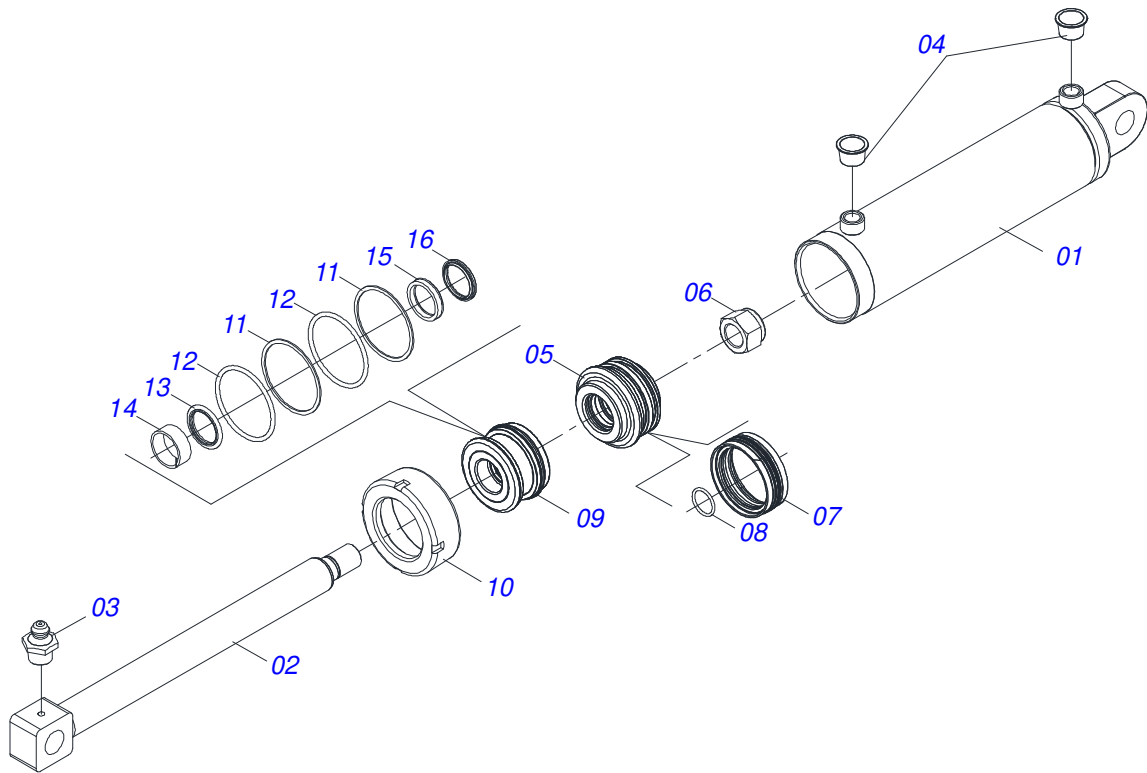
Item	Code	Description	See page	060
01	0521066882	WHEEL		001
02	0501055850	CARRYNG WHEEL HUB ASSEMBLY ASSY	9	002
03	0503011084	3/4" X 5" BOLT		002
04	0503010023	3/4" SPRING WASHER		002
05	0503012183	SNC 3/4" ZIN 1K03097 NUT		002
06	0502011583	BEARING AXLE		002
07	0503012223	FELT RING		002
08	0503010901	3/4UNC 3.1/2 BOLT		004
09	0521013710	WASHER SEMIMAN		004
10	0503012183	SNC 3/4" ZIN 1K03097 NUT		008
11	0521013839	WITHOUT HEADS PIN		001
12	0503010038	3/16" X 2" SPLIT PIN		002
13	0521013741	PIN WITH HEAD PN - 030 CIL		001
14	0503010010	SPLIT PIN 1/4" X 2.1/2"		001
15	0503061868	400/60 WHEEL WITH TIRE	10	002
16	0511058408	HYDRAULIC CYLINDER	8	001
17	0521013842	PIN WITHOUT HEAD PN - 097 CIL		001
18	0503010010	SPLIT PIN 1/4" X 2.1/2"		001



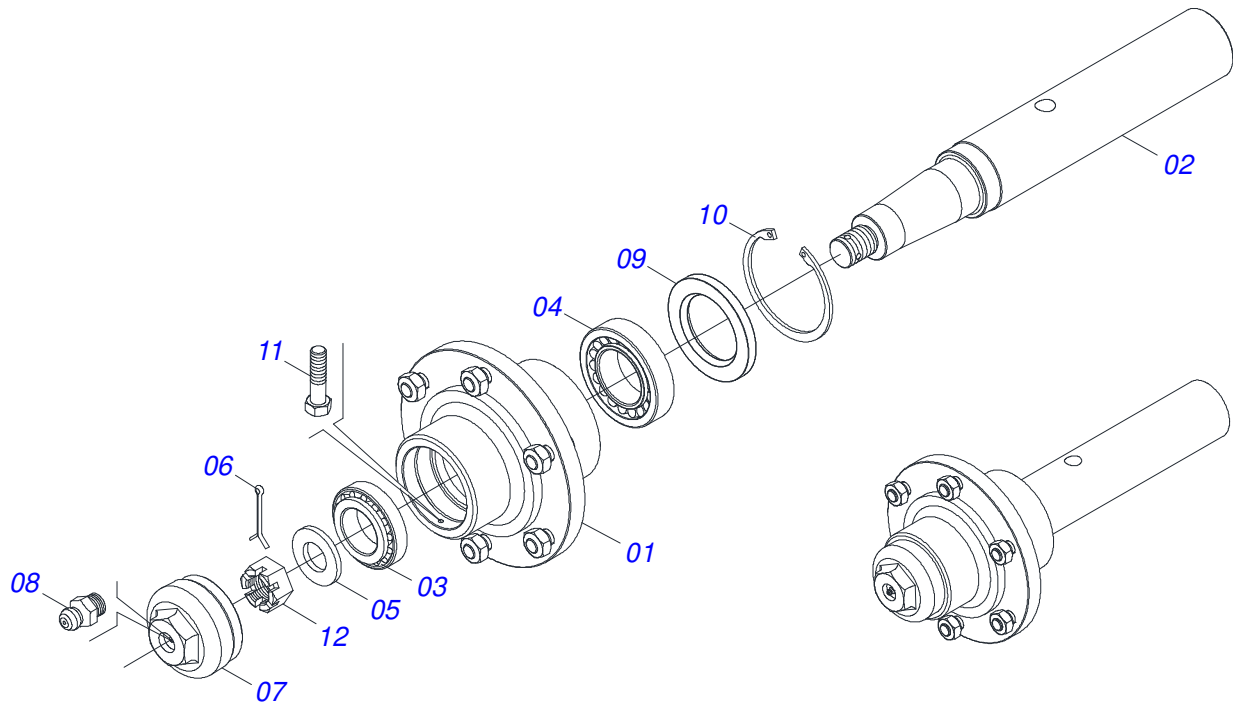
Item	Code	Description	See page	QT
01	0531018161	AXLE		01
02	0503010006	32210 ROLLER BEARING		01
03	0503012928	SEAL		01
04	0501110728	WHEEL HUB		01
04A	0502011121	CARRYING WHEEL HUB		01
04B	0501010127	9/16" X 1-7/8" LUG BOLT		06
04C	0503010035	9/16" CONIC NUT		06
05	0503010037	30207 ROLLER BEARING		01
06	0501016545	FLAT WASHER		01
07	0503030009	1" CASTLE NUT		01
08	0503010018	5/32" X 1-1/2" SPLIT PIN		01
09	0502020591	PROTECCION COVER		01
10	0503010358	5/16" X 5/8" BOLT		04
11	0503011444	SPRING WASHER 5/16"		04
12	0503010002	1800 GREASE FITTING		01



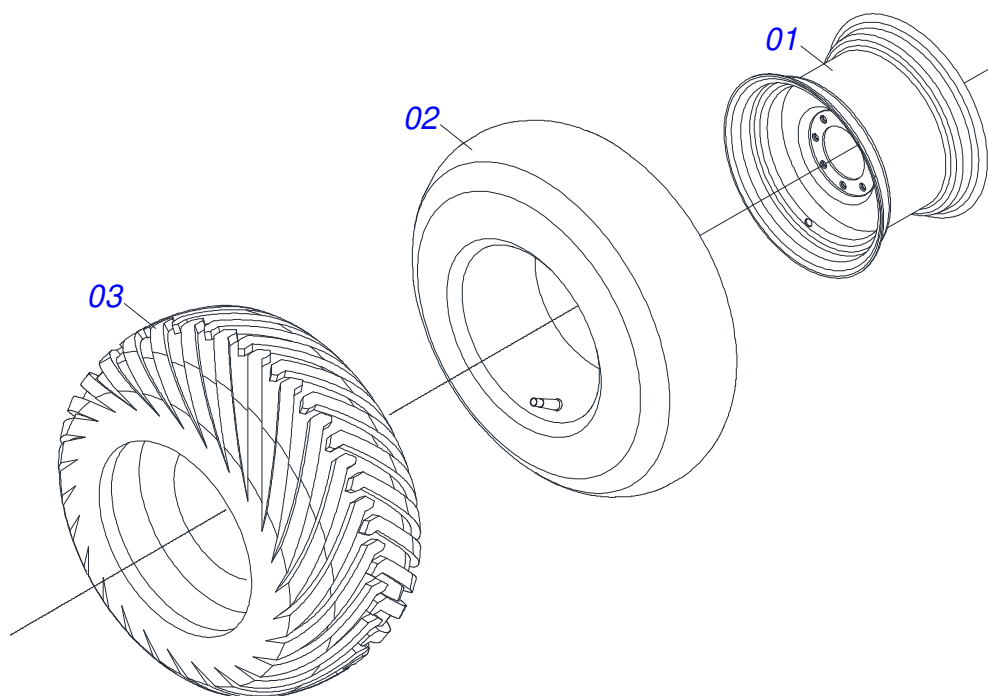
Item	Code	Description	See page	QT
01	0503010893	WHEEL		01
02	0503010033	7.50 X 16 INNER TIRE		01
03	0503010120	CANVAS TIRE		01



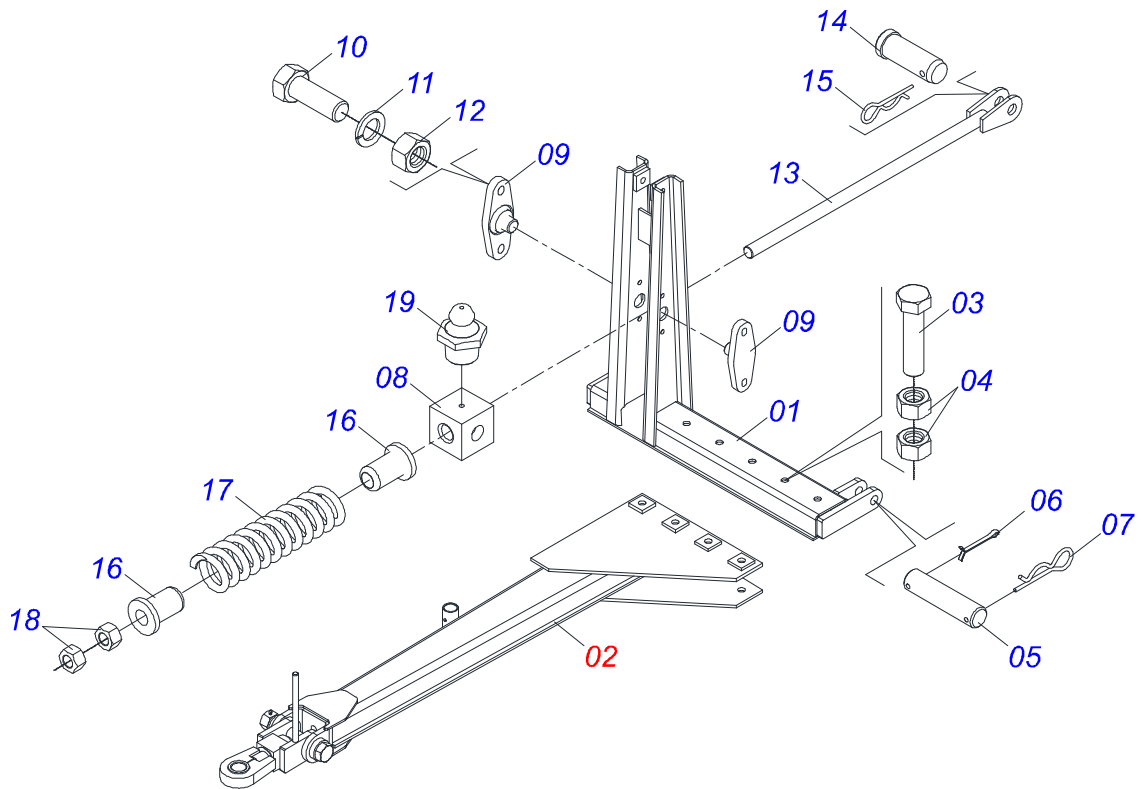
Item	Code	Description	See page	QT
001	0511062246	CYLINDER CASE		01
002	0511062247	TURNBUCLELE		01
003	0503010002	1800 GREASE FITTING		01
004	0503030384	CON PLUG N-001		02
005	0581010837	PISTON		01
006	0503010817	SELF LOCKING NUT 1.1/4 UNF ALTA G.5 ZN		01
007	0503015633	SELEMASTER SEALING		01
008	0503018029	O'RING 2-217 N 3006 90B		01
009	0581010302	RING OF SUPPORT		01
010	0502012822	END CAP 4"		01
011	0503011061	8-342 BACK-UP RING		02
012	0503010338	2-342 N 3006-9B O'RING		02
013	0503017936	RING		01
014	0503017938	RING GUIDE		01
015	0503017937	GASKET		01
016	0503010761	D-1750 SCRAPER RING		01



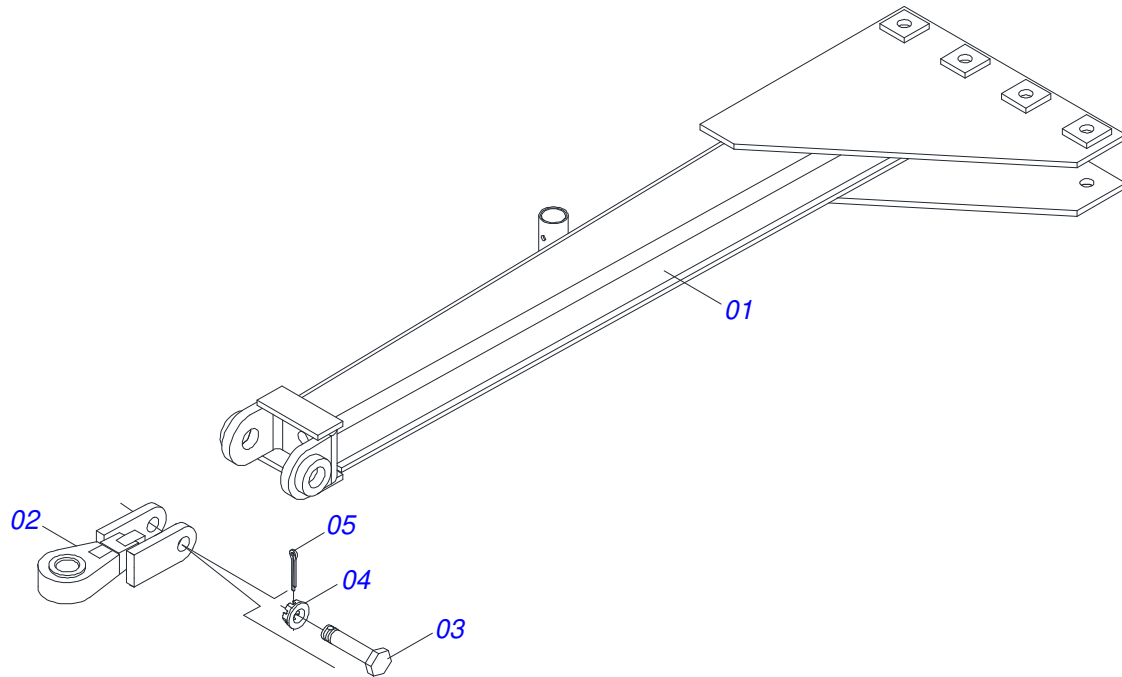
Item	Code	Description	See page	QT
01	0501110766	HUB CARRYING WHEELS WITH BOLT		01
02	0541014720	CR 7076205/1/1 AXLE		01
03	0503010006	32210 ROLLER BEARING		01
04	0503010005	32212 ROLLER BEARING		01
05	0501010086	FLAT WASHER		01
06	0503010067	3/16" X 2.1/2" SPLIT PIN		01
07	0502011647	COVER		01
08	0503010691	1/4" GREASE FITTING		01
09	0503010009	RETAINER 00573-B		01
10	0503012723	502115 RENO RING		01
11	0503010298	1/4" X 1/2" BOLT		01
12	0503012457	UNF 1.1/4" CASTLE NUT		01



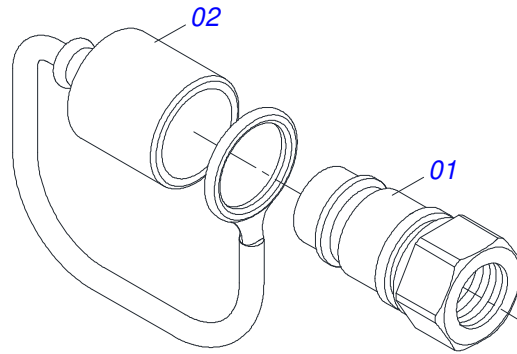
Item	Code	Description	See page	QT
01	0503012916	W-13 X 16,5 HOOP WHEEL		01
02	0503012112	400/60 - 15.5 TR 15 INNER TIRE		01
03	0503013119	CANVAS TIRE 400/60-15,5-T404-14L TRELEBORG		01



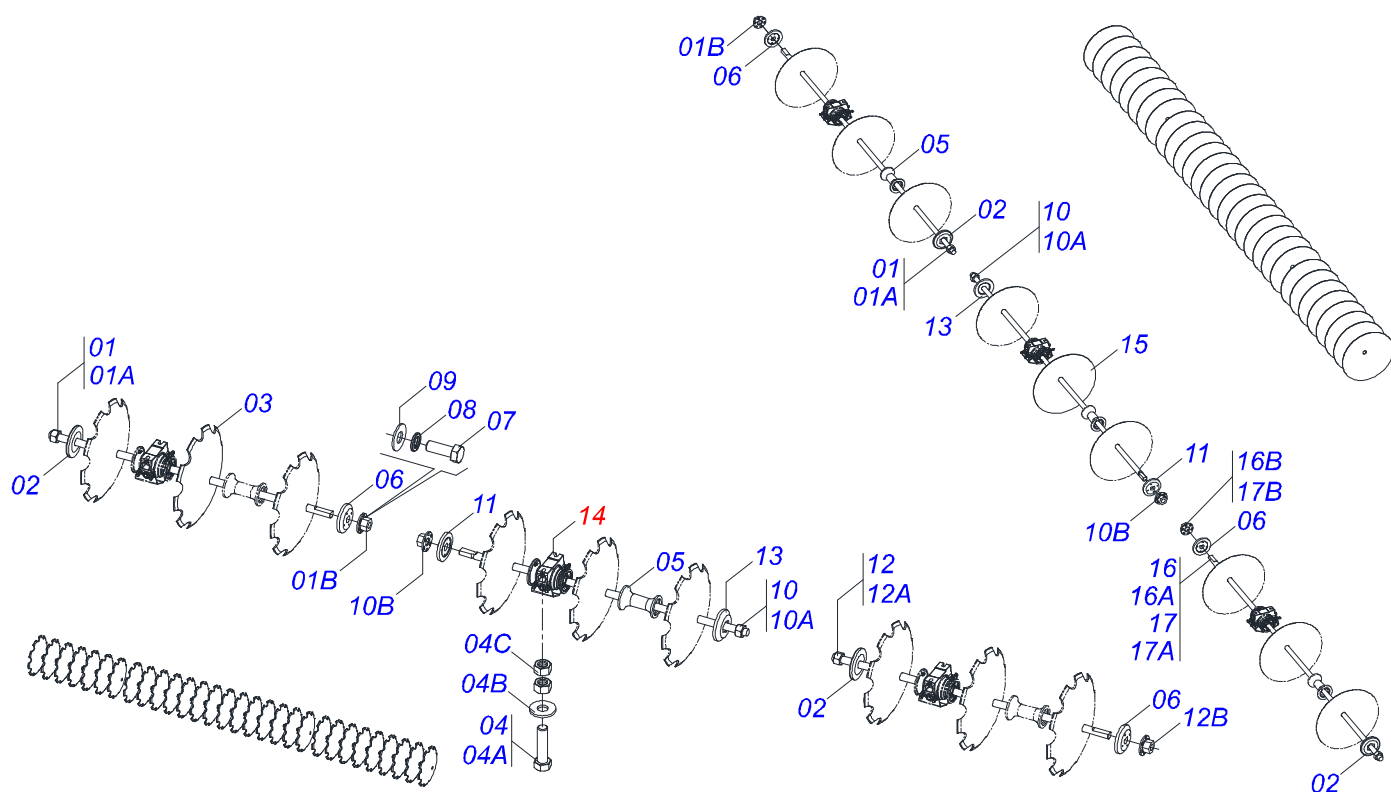
Item	Code	Description	See page	QT
01	0511060972	DRAWBAR ASSY		01
02	0511049366	AXLE ASSY	12	01
03	0503011198	BOLT 3/4" UNC X 6" CS G.5		04
04	0503012183	SNC 3/4" ZIN 1K03097 NUT		08
05	0521013841	WITHOUT HEADS PIN PN-078 TRACTION		02
06	0503010038	3/16" X 2" SPLIT PIN		02
07	0503031470	TM 251 X 4,0 STAPLE		02
08	0502011616	CROSSPIECE		01
09	0502011615	SUPPORT CROSS		02
10	0503010920	1/2 UNC X 1.1/2 C S G.5 ZN BOLT		04
11	0503010019	1/2" SPRING WASHER		04
12	0503010060	1/2 UNC G.5 ZN HEX NUT		04
13	0511060258	GVMF 30119N RIGTH JACK		01
14	0521013838	CLEVIS PIN		01
15	0503031470	TM 251 X 4,0 STAPLE		01
16	0502011582	SPINDLE GUIDE		02
17	0503031497	SPINDLE SNC		01
18	0503012182	1" NUT		02
19	0503010002	1800 GREASE FITTING		01



Item	Code	Description	See page	QT
01	0511060256	AXLE ASSY		01
02	0521047594	HITCH FIXED WITH TRACTOR		01
03	0521013837	BOLT		01
04	0503013026	1.1/4" CASTLE NUT		01
05	0503010067	3/16" X 2.1/2" SPLIT PIN		01



Item	Code	Description	See page	QT
01	0503011627	MALE QUICK COUPLER AGR 1/2 NPT		01
02	0503011882	MALE QUICK COUPLER CAP		01



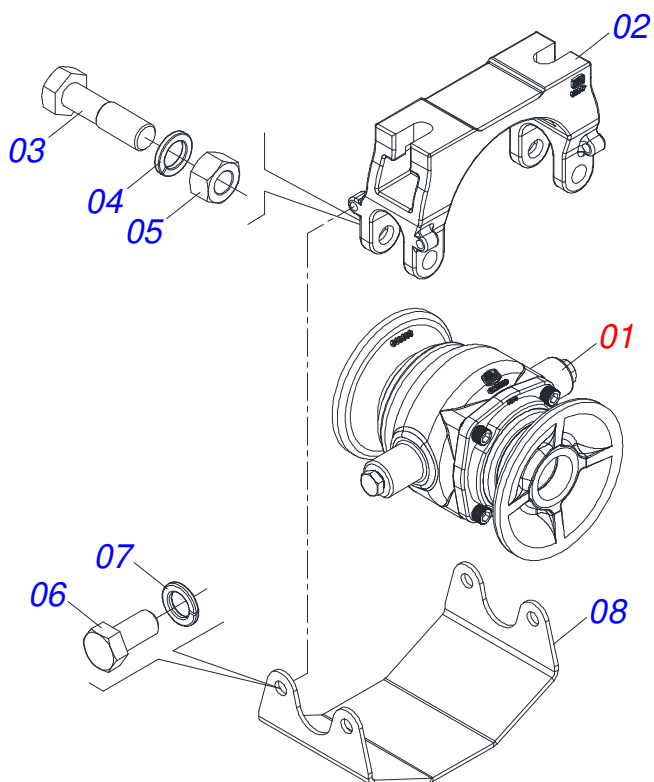
Item	Code	Description	See page	056	060
01	0511050278	AXLE DISC WITH NUTS		001	002
01A	0511060796	AXLE DISC		001	001
01B	0502011593	7" AXLE NUT		001	001
02	0502011608	INNER FLANGE		004	004
03	0602029409	22" X 4,5 NOTCHED DISC BLADE		028	030
04	0521048902	SCREW ASSEMBLY 5/8 UNC 3		028	030
04A	0501011541	BOLT 5/8" UNC X 3 CS G.5 ZN1K28066		001	001
04B	0501012140	FLAT WASHER 16,50 X 40 X 4,00 ZN		001	001
04C	0503010013	5/8" UNC G.5 ZN HEX NUT		002	002
05	0502011594	SPACER		036	039
06	0502011607	OUTER FLANGE		004	004
07	0503010237	3/8" X 1" BOLT		012	012
08	0503010025	3/8 SPRING WASHER		012	012
09	0501013518	FLAT WASHER		012	012
10	0511050305	AXLE DISC WITH NUTS		002	002
10A	0511060807	AXLE DISC		001	001
10B	0502011593	7" AXLE NUT		001	001
11	0502011606	INNER FLANGE		002	002
12	0511050277	AXLE DISC WITH NUTS		000	001
12A	0511060795	AXLE DISC		000	001
12B	0502011593	7" AXLE NUT		000	001
13	0502011609	OUTER FLANGE		002	002
14	0531042480	196 X 1.1/2 DMO AGRICULTURAL BEARING WITH 15 PROTECTION SUPPORT		014	015
15	0601029406	22" X 4,5 PLAIN DISC BLADE		028	030
16	0511050279	AXLE DISC WITH NUTS		002	001
16A	0511060778	AXLE DISC		001	001
16B	0502011593	7" AXLE NUT		001	001
17	0511050919	AXLE DISC WITH NUTS		001	000
17A	0511060794	AXLE DISC		001	000



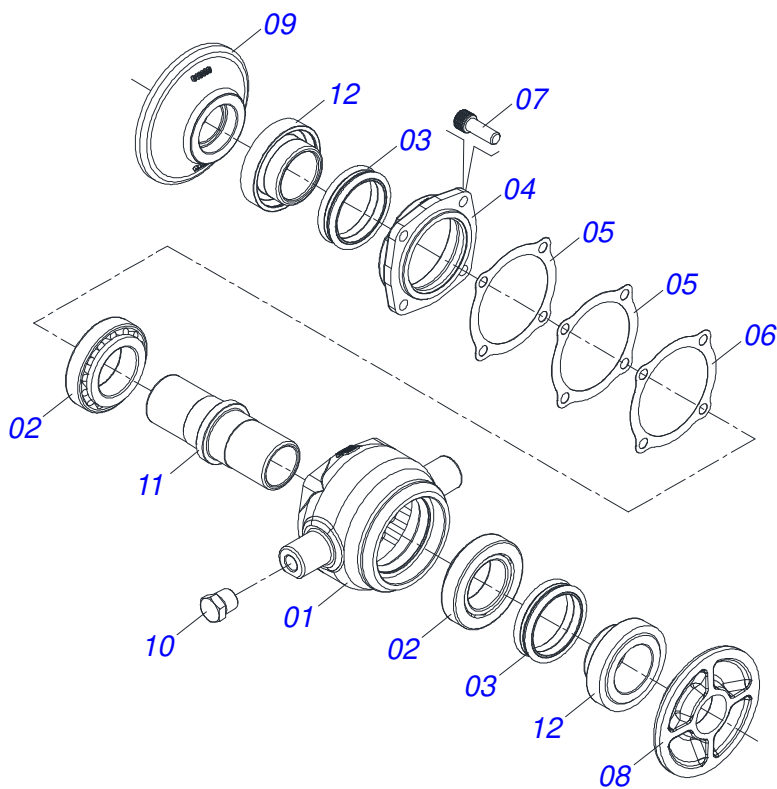
GNDP 56/60D
ASSY DISCS GANG

Page 14
0909097057

Item	Code	Description	See page	056	060
17B	0502011593	7" AXLE NUT		001	000



Item	Code	Description	See page	QT
01	0531055221	196 X 1.1/2 IMP DMO AGRICULTURAL BEARING	16	01
02	0502013047	BEARING SUPPORT		01
03	0501011541	BOLT 5/8" UNC X 3 CS G.5 ZN1K28066		02
04	0503010027	5/8 SPRING WASHER		02
05	0503010013	5/8" UNC G.5 ZN HEX NUT		02
06	0503011334	BOLT 3/8" UNC X 3/4" CS G.5 ZN		04
07	0503010025	3/8 SPRING WASHER		04
08	0581014143	SWIVEL OIL BATH BEARING WEAR PLATE		01



Item	Code	Description	See page	QT
01	0502012839	BEARING HOUSING 182/192,5		01
02	0503010006	32210 ROLLER BEARING		02
03	0503030026	SEAL LP JB-253		02
04	0502020424	HOUSING CAP 182/192,225		01
05	0503030013	4.4" X 3.5" X 0.004" JOINT		02
06	0503030684	4.4" X 3.5" X 0.004" JOINT		01
07	0503010134	3/8" X 1" BOLT		04
08	0501216951	INNER FLANGE		01
09	0501216952	OUTER FLANGE		01
10	0503010856	OIL PLUG R 3/8 BSPT		02
11	0502040061	182/192,5 AXLE		01
12	0502010541	RETAINER DOOR WITH BUSHING		02
13	3402301275	TATU OIL		0,13 Lts



MARCHESAN

Technical Publications | Elaboration and Revision

ALESSANDRA PATRICIA KAWAHARA CARRILI

www.marchesan.com.br

