

**OFFSET DISK HARROW**

**GAPCR-HD 8013 HYDRAULIC RIGID  
GAPCR-HD 8013 RÍGIDA HIDRÁULICA**

**Code:** 0501093755  
**Series:** S-1123  
**Revision:** 00  
**Revision Date:** FEBRUARY/2024

# **PARTS CATALOGUE**



**MARCHESAN**



# PRODUCTS

Code	Working Width	Description
0102060484		GAPCR-HD 8013 21 X 32 X 9,00 DR DMO E 2.1/2 C/ET S-1123
0102060485		GAPCR-HD 8013 21 X 32 X 9,00 DR DMO E 2.1/2 S/ET S-1123
0102060488		GAPCR-HD 8013 21 X 34 X 9,00 DR DMO E 2.1/2 C/ET S-1123
0102060490		GAPCR-HD 8013 21 X 34 X 9,00 DR DMO E 2.1/2 S/ET S-1123
0102060489		GAPCR-HD 8013 21 X 36 X 9,00 DR DMO E 2.1/2 C/ET S-1123
0102060492		GAPCR-HD 8013 21 X 36 X 9,00 DR DMO E 2.1/2 S/ET S-1123
0102060493		GAPCR-HD 8013 23 X 32 X 9,00 DR DMO E 2.1/2 C/ET S-1123
0102060494		GAPCR-HD 8013 23 X 32 X 9,00 DR DMO E 2.1/2 S/ET S-1123
0102060496		GAPCR-HD 8013 23 X 34 X 9,00 DR DMO E 2.1/2 C/ET S-1123
0102060497		GAPCR-HD 8013 23 X 34 X 9,00 DR DMO E 2.1/2 S/ET S-1123
0102060486		GAPCR-HD 8013 23 X 36 X 9,00 DR DMO E 2.1/2 C/ET S-1123
0102060487		GAPCR-HD 8013 23 X 36 X 9,00 DR DMO E 2.1/2 S/ET S-1123
0102060483		GAPCR-HD 8013 24 X 34 X 9,00 DR DMO E 2.1/2 S/PN FF S-1123
0102060500		GAPCR-HD 8013 25 X 32 X 9,00 DR DMO E 2.1/2 C/ET S-1123
0102060502		GAPCR-HD 8013 25 X 32 X 9,00 DR DMO E 2.1/2 S/ET S-1123
0102060501		GAPCR-HD 8013 25 X 34 X 9,00 DR DMO E 2.1/2 C/ET S-1123
0102060503		GAPCR-HD 8013 25 X 34 X 9,00 DR DMO E 2.1/2 S/ET S-1123
0102060498		GAPCR-HD 8013 25 X 36 X 9,00 DR DMO E 2.1/2 C/ET S-1123
0102060499		GAPCR-HD 8013 25 X 36 X 9,00 DR DMO E 2.1/2 S/ET S-1123
0102060504		GAPCR-HD 8013 27 X 32 X 9,00 DR DMO E 2.1/2 C/ET S-1123
0102060507		GAPCR-HD 8013 27 X 32 X 9,00 DR DMO E 2.1/2 S/ET S-1123
0102060505		GAPCR-HD 8013 27 X 34 X 9,00 DR DMO E 2.1/2 C/ET S-1123
0102060508		GAPCR-HD 8013 27 X 34 X 9,00 DR DMO E 2.1/2 S/ET S-1123
0102060506		GAPCR-HD 8013 27 X 36 X 9,00 DR DMO E 2.1/2 C/ET S-1123
0102060509		GAPCR-HD 8013 27 X 36 X 9,00 DR DMO E 2.1/2 S/ET S-1123
0102060510		GAPCR-HD 8013 29 X 32 X 9,00 DR DMO E 2.1/2 HID C/ET S-1123
0102060513		GAPCR-HD 8013 29 X 32 X 9,00 DR DMO E 2.1/2 HID S/ET S-1123
0102060511		GAPCR-HD 8013 29 X 34 X 9,00 DR DMO E 2.1/2 HID C/ET S-1123
0102060514		GAPCR-HD 8013 29 X 34 X 9,00 DR DMO E 2.1/2 HID S/ET S-1123
0102060512		GAPCR-HD 8013 29 X 36 X 9,00 DR DMO E 2.1/2 HID C/ET S-1123

## ATTENTION: IMPORTANT

Marchesan S.A. reserves the right to improve and/or modify the technical features of its products, without obligation to do the same with those products already sold and without prior knowledge of the dealer or the customer. The photos are only illustrative.



# PRODUCTS

0102060515	GAPCR-HD 8013 29 X 36 X 9,00 DR DMO E 2.1/2 HID S/ET S-1123
0102060522	GAPCR-HD 8013 31 X 32 X 9,00 DR DMO E 2.1/2 HID C/ET S-1123
0102060525	GAPCR-HD 8013 31 X 32 X 9,00 DR DMO E 2.1/2 HID S/ET S-1123
0102060523	GAPCR-HD 8013 31 X 34 X 9,00 DR DMO E 2.1/2 HID C/ET S-1123
0102060526	GAPCR-HD 8013 31 X 34 X 9,00 DR DMO E 2.1/2 HID S/ET S-1123
0102060524	GAPCR-HD 8013 31 X 36 X 9,00 DR DMO E 2.1/2 HID C/ET S-1123
0102060529	GAPCR-HD 8013 31 X 36 X 9,00 DR DMO E 2.1/2 HID S/ET S-1123
0102060536	GAPCR-HD 8013 33 X 32 X 9,00 DR DMO E 2.1/2 HID C/ET S-1123
0102060541	GAPCR-HD 8013 33 X 32 X 9,00 DR DMO E 2.1/2 HID S/ET S-1123
0102060539	GAPCR-HD 8013 33 X 34 X 9,00 DR DMO E 2.1/2 HID C/ET S-1123
0102060542	GAPCR-HD 8013 33 X 34 X 9,00 DR DMO E 2.1/2 HID S/ET S-1123
0102060540	GAPCR-HD 8013 33 X 36 X 9,00 DR DMO E 2.1/2 HID C/ET S-1123
0102060543	GAPCR-HD 8013 33 X 36 X 9,00 DR DMO E 2.1/2 HID S/ET S-1123
0102060549	GAPCR-HD 8013 35 X 32 X 9,00 DR DMO E 2.1/2 HID C/ET S-1123
0102060552	GAPCR-HD 8013 35 X 32 X 9,00 DR DMO E 2.1/2 HID S/ET S-1123
0102060550	GAPCR-HD 8013 35 X 34 X 9,00 DR DMO E 2.1/2 HID C/ET S-1123
0102060553	GAPCR-HD 8013 35 X 34 X 9,00 DR DMO E 2.1/2 HID S/ET S-1123
0102060551	GAPCR-HD 8013 35 X 36 X 9,00 DR DMO E 2.1/2 HID C/ET S-1123
0102060554	GAPCR-HD 8013 35 X 36 X 9,00 DR DMO E 2.1/2 HID S/ET S-1123
0102060475	GAPCR-HD 8013 37 X 32 X 9,00 DR DMO E 2.1/2 C/ET S/PN ESP S-1123
0102060561	GAPCR-HD 8013 37 X 32 X 9,00 DR DMO E 2.1/2 HID C/ET S-1123
0102060564	GAPCR-HD 8013 37 X 32 X 9,00 DR DMO E 2.1/2 HID S/ET S-1123
0102060474	GAPCR-HD 8013 37 X 34 X 9,00 DR DMO E 2.1/2 C/ET S/PN S-1123
0102060562	GAPCR-HD 8013 37 X 34 X 9,00 DR DMO E 2.1/2 HID C/ET S-1123
0102060565	GAPCR-HD 8013 37 X 34 X 9,00 DR DMO E 2.1/2 HID S/ET S-1123
0102060563	GAPCR-HD 8013 37 X 36 X 9,00 DR DMO E 2.1/2 HID C/ET S-1123
0102060566	GAPCR-HD 8013 37 X 36 X 9,00 DR DMO E 2.1/2 HID S/ET S-1123
0102060573	GAPCR-HD 8013 39 X 32 X 9,00 DR DMO E 2.1/2 HID C/ET S-1123
0102060576	GAPCR-HD 8013 39 X 32 X 9,00 DR DMO E 2.1/2 HID S/ET S-1123
0102060574	GAPCR-HD 8013 39 X 34 X 9,00 DR DMO E 2.1/2 HID C/ET S-1123
0102060577	GAPCR-HD 8013 39 X 34 X 9,00 DR DMO E 2.1/2 HID S/ET S-1123

## ATTENTION: IMPORTANT

Marchesan S.A. reserves the right to improve and/or modify the technical features of its products, without obligation to do the same with those products already sold and without prior knowledge of the dealer or the customer. The photos are only illustrative.



# PRODUCTS

0102060606	GAPCR-HD 8013 39 X 36 X 9,00 DR DMO E 2.1/2 C/ET USA ESP S-1123
0102060607	GAPCR-HD 8013 39 X 36 X 9,00 DR DMO E 2.1/2 HID C/ET ESP S-1123
0102060575	GAPCR-HD 8013 39 X 36 X 9,00 DR DMO E 2.1/2 HID C/ET S-1123
0102060578	GAPCR-HD 8013 39 X 36 X 9,00 DR DMO E 2.1/2 HID S/ET S-1123
0102060579	GAPCR-HD 8013 41 X 32 X 9,00 DR DMO E 2.1/2 HID C/ET S-1123
0102060582	GAPCR-HD 8013 41 X 32 X 9,00 DR DMO E 2.1/2 HID S/ET S-1123
0102060580	GAPCR-HD 8013 41 X 34 X 9,00 DR DMO E 2.1/2 HID C/ET S-1123
0102060583	GAPCR-HD 8013 41 X 34 X 9,00 DR DMO E 2.1/2 HID S/ET S-1123
0102060581	GAPCR-HD 8013 41 X 36 X 9,00 DR DMO E 2.1/2 HID C/ET S-1123
0102060584	GAPCR-HD 8013 41 X 36 X 9,00 DR DMO E 2.1/2 HID S/ET S-1123
0102060585	GAPCR-HD 8013 45 X 32 X 9,00 DR DMO E 2.1/2 HID C/ET S-1123
0102060588	GAPCR-HD 8013 45 X 32 X 9,00 DR DMO E 2.1/2 HID S/ET S-1123
0102060586	GAPCR-HD 8013 45 X 34 X 9,00 DR DMO E 2.1/2 HID C/ET S-1123
0102060589	GAPCR-HD 8013 45 X 34 X 9,00 DR DMO E 2.1/2 HID S/ET S-1123
0102060587	GAPCR-HD 8013 45 X 36 X 9,00 DR DMO E 2.1/2 HID C/ET S-1123
0102060590	GAPCR-HD 8013 45 X 36 X 9,00 DR DMO E 2.1/2 HID S/ET S-1123

## ATTENTION: IMPORTANT

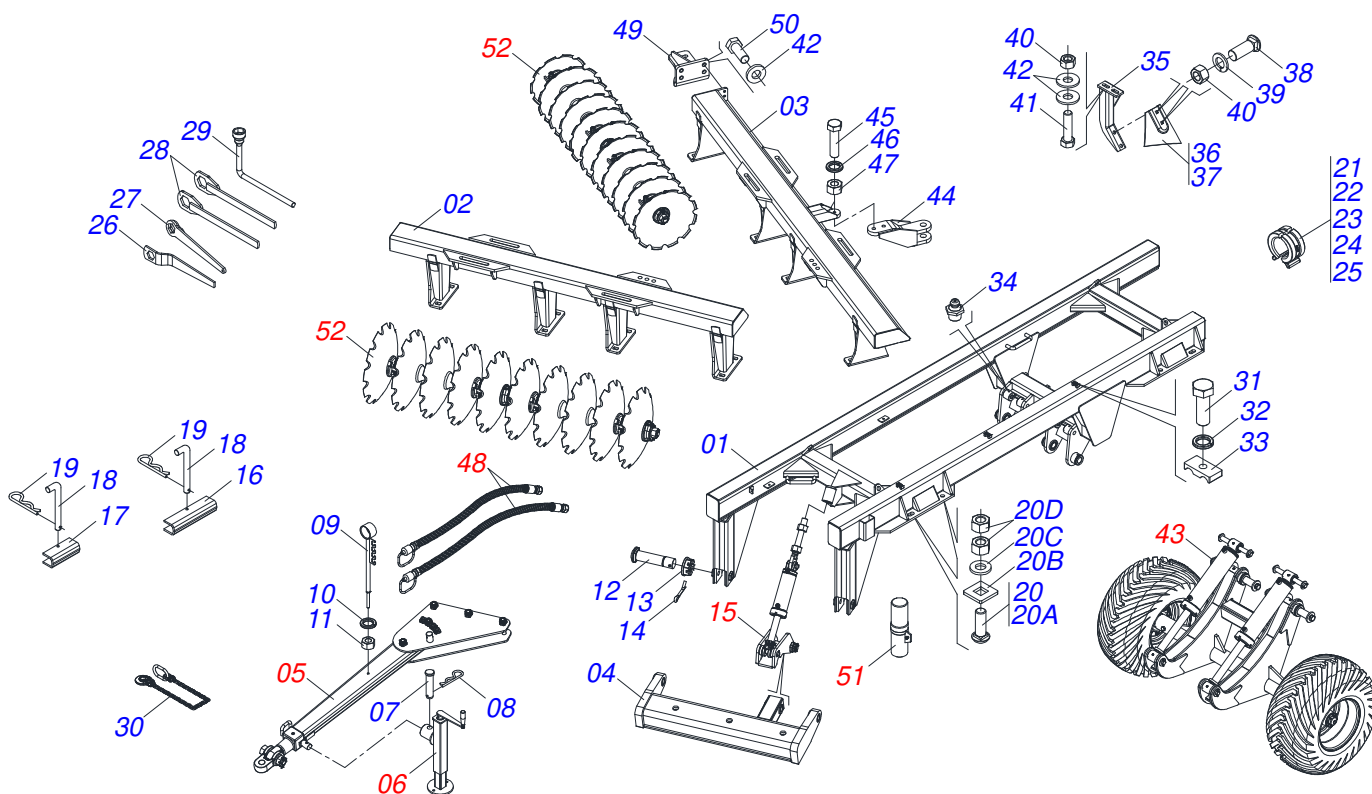
Marchesan S.A. reserves the right to improve and/or modify the technical features of its products, without obligation to do the same with those products already sold and without prior knowledge of the dealer or the customer. The photos are only illustrative.



**MARCHESAN**

# INDEX

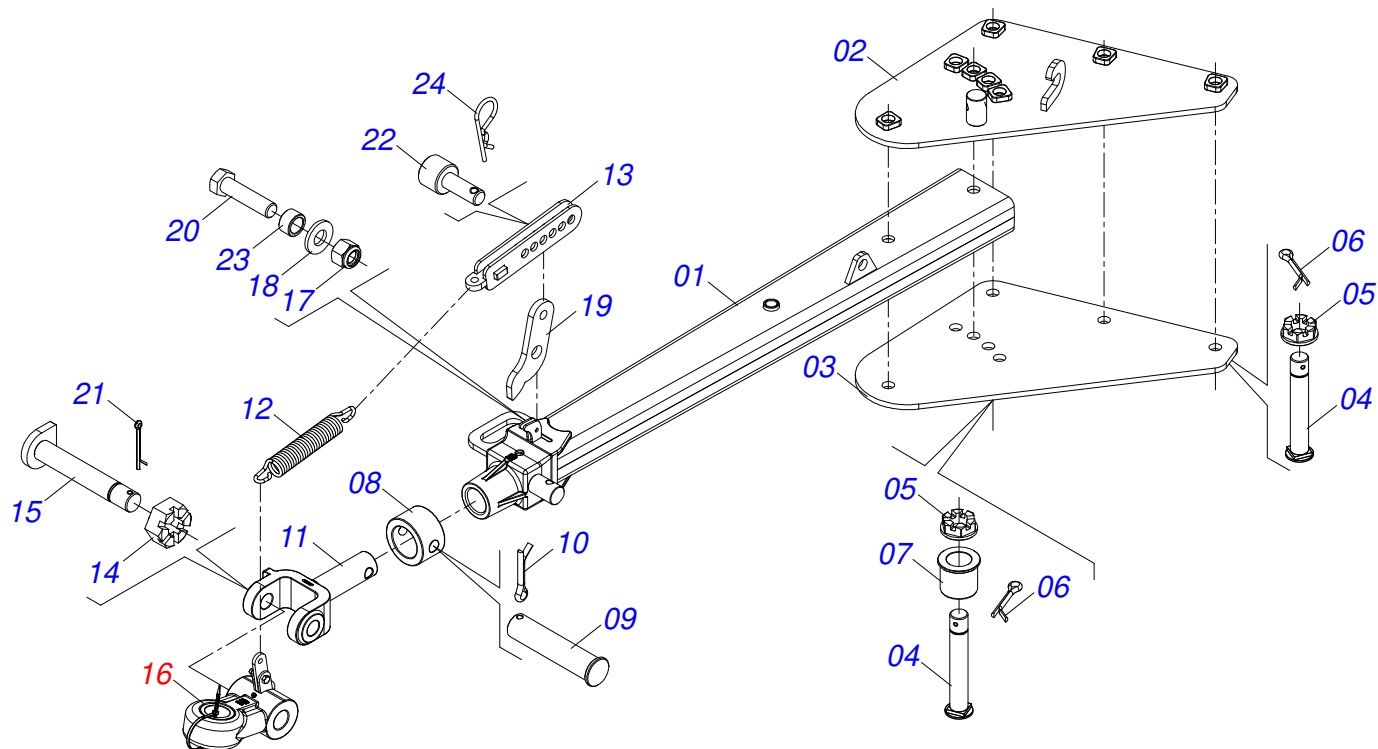
0909097105	FRAME ASSY - 21/23/24/25/27D	.....	1
0511045200	TRACTION BAR WITH 3 HITCH ASSY	.....	2
0531040171	HITCH ASSY	.....	3
0511048088	DRAWBAR JACK	.....	4
0909094855	DRAWBAR ARTICULATED ASSY	.....	5
0511058419	HYDRAULIC CYLINDER 50,80 X 101,60 X 514 X 206	.....	6
0909094857	WHEEL ASSY	.....	7
0503060102	WHEEL AND TIRE 400/60 - 14L RIGHT	.....	8
0501056467	WHEEL WITHOUT TIRE	.....	9
0521051832	HYDRAULIC CYLINDER 53,98 X 114,30 X 654 X 346	.....	10
0909092055	HYDRAULIC CIRCUIT - 21/23/24/25/27D	.....	11
0501053834	MALE QUICK COUPLER	.....	12
0909097107	FRAME ASSY - 29/31/33/35/37D	.....	13
0521052190	MANUAL CANISTER ASSY	.....	14
0909094861	DRAWBAR ARTICULATED ASSY	.....	15
0511058521	2" X 4" X 20" X 6" HYDRAULIC CYLINDER	.....	16
0521041823	TRACTION BAR ASSY (PIN 3")	.....	17
0909092741	REAR COUPLING KIT	.....	18
0501053835	FEMALE QUICK COUPLER	.....	19
0511059196	VALVE ASSY	.....	20
0909093678	CARRYING-WHEEL ASSY	.....	21
0531051143	WHEEL WITHOUT TIRE 11.25INX8.62INX10F (HOLE 50)	.....	22
0501111042	WHEEL CASE WITH SCREW	.....	23
0909093685	LANTERN FIXING ASSY	.....	24
0909092606	HYDRAULIC CIRCUIT W/REAR HITCH - 29/31/33/35/37D	.....	25
0909097109	FRAME ASSY - 39/41/45D	.....	26
0909094862	CARRYING-WHEEL ASSY	.....	27
0501057120	WHEEL WITHOUT TIRE	.....	28
0503062172	WHEEL AND TIRE ASSY	.....	29
0521052191	RELIEF VALVE	.....	30
0909092549	HYDRAULIC CIRCUIT - 39/41/45D	.....	31
0909097106	DISC GANG - 21/23/24/25/27D	.....	32
0909097108	DISC GANG - 29/31/33/35/37D	.....	33
0909097110	DISC GANG - 39/41/45D	.....	34
0531041672	330 X 2.1/2 BEARING	.....	35
0531053201	BEARING	.....	36



Item	Code	Description	See page	021	023	024	025	027
01	0511067822	FRAME		001	001	001	001	001
02	0521065440	FRONT FRAME - 21D		001	000	000	000	000
02.	0521065442	FRONT FRAME - 23D		000	001	000	000	000
02..	0521065444	FRONT FRAME - 24/25D		000	000	001	001	000
02...	0521062730	FRONT FRAME - 27D		000	000	000	000	001
03	0521065441	REAR FRAME - 21D		001	000	000	000	000
03.	0521065443	REAR FRAME - 23D		000	001	000	000	000
03..	0521068367	REAR FRAME - 24D		000	000	001	000	000
03...	0521065445	REAR FRAME - 25D		000	000	000	001	000
03....	0521062731	REAR FRAME - 27D		000	000	000	000	001
04	0511067827	1100 OFFSET BAR		001	001	001	001	001
05	0511045200	TRACTION BAR WITH 3 HITCH ASSY	2	001	001	001	001	001
06	0511048088	DRAWBAR JACK	4	001	001	001	001	001
07	0561014251	COUPLING SHAFT		001	001	001	001	001
08	0503030012	HITCH PIN CLIP		001	001	001	001	001
09	0521062849	HOSE HOLDER ASSY		001	001	001	001	001
10	0503010023	3/4" SPRING WASHER		001	001	001	001	001
11	0503010014	3/4" ZN G.5 (HEAVY) UNC HEX NUT		045	049	053	053	057
12	0541014119	37.5 X 195 COUPLING SHAFT		002	002	002	002	002
13	0501011301	1.1/2" UNC 6FPP 2.5/16" NUT		002	002	002	002	002
14	0503010010	SPLIT PIN 1/4" X 2.1/2"		002	002	002	002	002
15		DRAWBAR ARTICULATED ASSY	5					
16	0561016693	TRANSPORT LOCK		002	002	002	002	002
17	0551010332	TRANSPORT LOCK		001	001	001	001	001
18	0541016844	FIXER LOCK		003	003	003	003	003
19	0503030285	HITCH PIN CLIP		003	003	003	003	003
20	0521040349	1-1/4" X 5.3/4" BOLT		008	008	008	008	008
20A	0501010954	1.1/4" X 5.3/4" BOLT		001	001	001	001	001
20B	0571010449	LOCK BOLT		001	001	001	001	001
20C	0571010448	32,50 X 75 X 16 SLEEVE		001	001	001	001	001
20D	0501010087	1.1/4" NUT		002	002	002	002	002
21	0501047895	25 ROD STOP		006	006	006	006	006

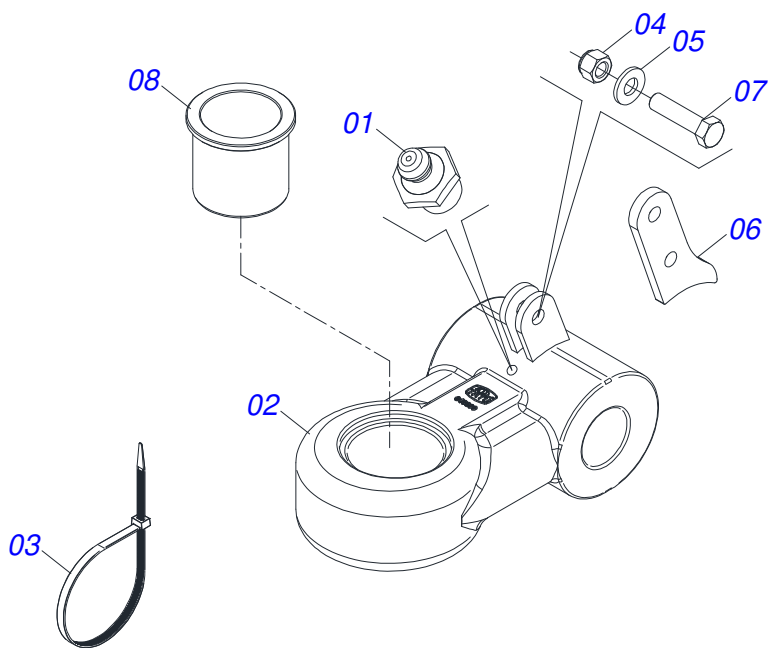


Item	Code	Description	See page	021	023	024	025	027
22	0501047885	30 ROD STOP		003	003	003	003	003
23	0501047887	40 ROD STOP		003	003	003	003	003
24	0501047886	35 ROD STOP		003	003	003	003	003
25	0501047888	45 ROD STOP		003	003	003	003	003
26	0501011432	1-1/2" AND 1-5/8 GANG BOLT WRENCH		001	001	001	001	001
27	0521062858	1.1/4" WRENCH NUT		001	001	001	001	001
28	0501061044	2-1/8" AND 2-1/2" CABLE FLAT WRENCH		002	002	002	002	002
29	0503016137	1-1/4" WRENCH CABLE CYLINDER		001	001	001	001	001
30	0503013150	1300 X 3/8" CHAIN		001	001	001	001	001
31	0503011135	BOLT 7/16" UNC X 1.1/2" C S G.5 ZN		004	004	004	004	004
32	0503010180	7/16" SPRING WASHER		004	004	004	004	004
33	0502010477	HOSE CLAMP		004	004	004	004	004
34	0503010002	1800 GREASE FITTING		009	009	009	009	009
35	0511064771	FRONT SCRAPER SUPPORT		021	023	025	025	027
36	0521013678	FRONT CLEANER		010	011	012	012	013
37	0521013679	REAR CLEANER		011	012	013	013	014
38	0503012195	5/8" NUT		042	046	050	050	054
39	0503010027	5/8 SPRING WASHER		042	046	050	050	054
40	0503010013	5/8 UNC G.5 ZN HEX NUT		042	046	050	050	054
41	0503010232	5/8" X 1.3/4" BOLT		042	046	050	050	054
42	0541010763	FLAT WASHER		084	092	104	100	108
43		WHEEL ASSY	7					
44	0511064810	REAR HITCH		001	001	001	001	001
45	0503011346	7/8" X 3-1/2" BOLT		002	002	002	002	002
46	0503010408	7/8" SPRING WASHER		002	002	002	002	002
47	0503010417	7/8" NUT		002	002	002	002	002
48		HYDRAULIC CIRCUIT - 21/23/24/25/27D	11					
49	0521068364	DISC CLEANER SUPPORT		000	000	001	000	000
50	0501010098	BOLT 3/4" UNC X 2 C S G.5 ZN		000	000	004	000	000
51	0521052190	MANUAL CANISTER ASSY	14	001	001	001	001	001
52		DISC GANG - 21/23/24/25/27D	32					

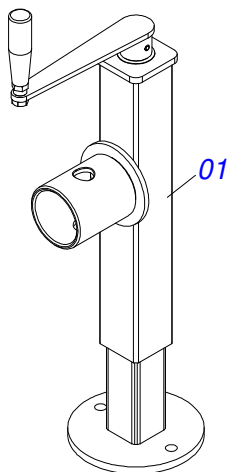


Item	Code	Description	See page	QT
01	0511064669	DRAWBAR ASSY		01
02	0511067825	UPPER PLATE		01
03	0511067826	LOWER PLATE		01
04	0521011880	37,5 X 242 COUPLING SHAFT		05
05	0501011301	1.1/2" UNC 6FPP 2.5/16" NUT		05
06	0503010010	SPLIT PIN 1/4" X 2.1/2"		05
07	0591013086	SLEEVE 52,8 X 78 X 76 (PIN 2")		01
08	0502040263	HITCH LOCK RING		01
09	0561017306	COUPLING SHAFT		01
10	0503010523	1/4" X 2" SPLIT PIN		01
11	1902040897	TRACTOR HITCH		01
12	0503031741	1.8" X 11.4" 0.3" TRACTION SPRING		01
13	0531061607	SPRING REGULATOR		01
14	0502040558	2" CASTLE NUT		01
15	0531061122	AXIS ARTICULATOR		01
16	0531040171	HITCH ASSY	3	01
17	0503010589	1/2" UNC SELF ADJUSTING NUT		01
18	0501010937	13,50 X 28 X 3,00 FLAT WASHER		01
19	0591014554	REAR SUPPORT FIXING SPRING		01
20	0503010740	BOLT 1/2 UNC X 2 CS G.5 ZN		01
21	0503010074	3/8" X 4" SPLIT PIN		01
22	0591014558	SPRING REGULATOR FIXER AXLE		01
23	0591014552	SLEEVE		01
24	0503030285	HITCH PIN CLIP		01

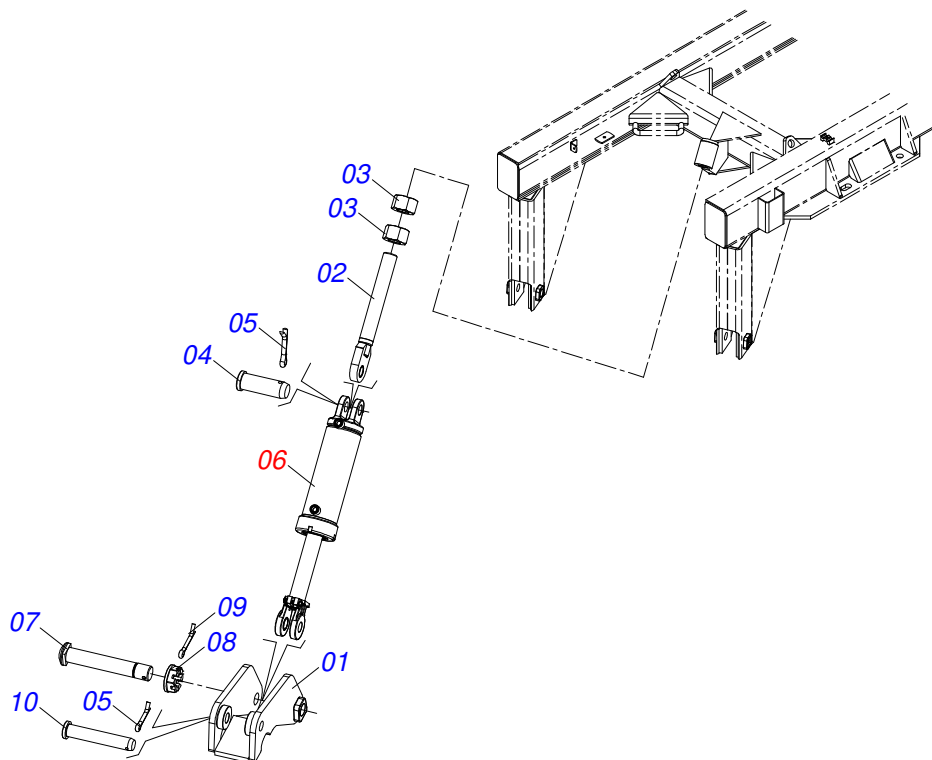




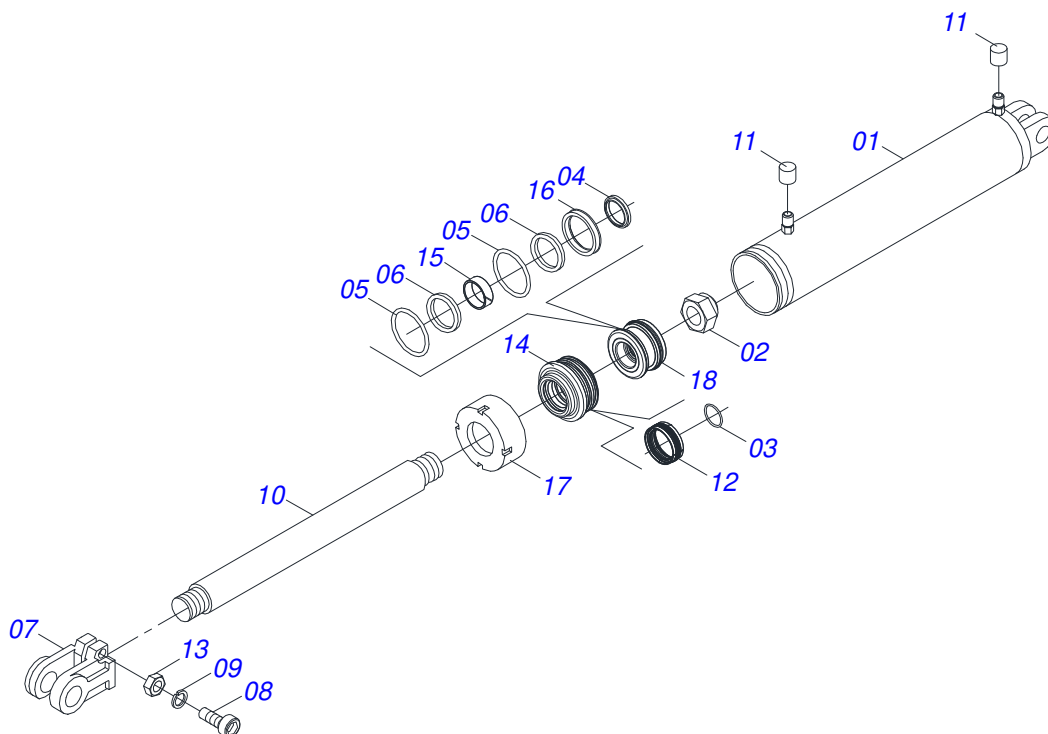
Item	Code	Description	See page	QT
01	0503010002	1800 GREASE FITTING		01
02	0531061121	HITCH		01
03	0503018829	NYLON CLAMP 7,8 X 1,8 X 390 MM		01
04	0503010589	1/2" UNC SELF ADJUSTING NUT		01
05	0501010937	13,50 X 28 X 3,00 FLAT WASHER		01
06	0591014555	FRONT SUPPORT FIXING SPRING		01
07	0503010740	BOLT 1/2 UNC X 2 CS G.5 ZN		01
08	0591013448	SLEEVE 65,50 X 78 X 76 (PIN 2.1/2")		01



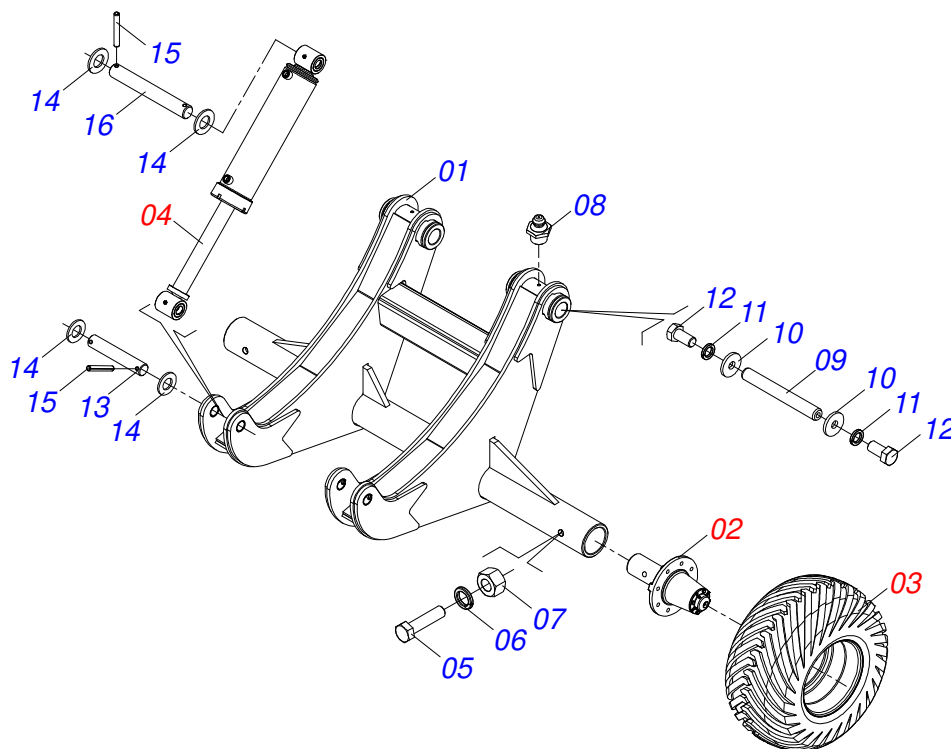
Item	Code	Description	See page	QT
01	0503062227	DRAWBAR JACK		01



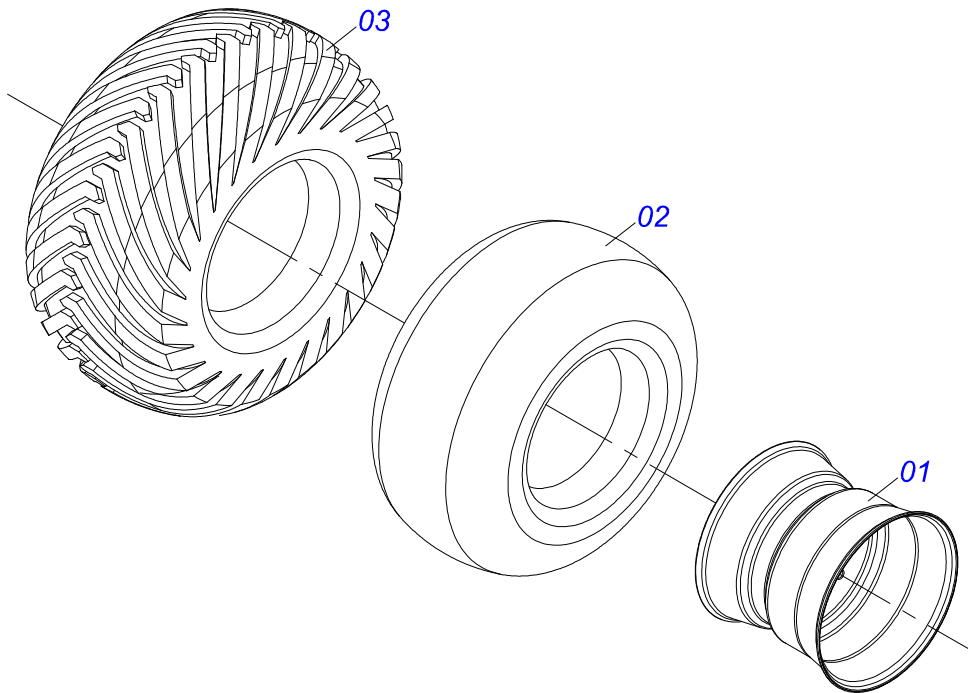
Item	Code	Description	See page	QT
01	0511064656	DRAWBAR PIVOT		01
02	0511064433	REGULATOR SPINDLE 1-3/4		01
03	0501010333	1.3/4" NUT		02
04	0521012538	1.2" X 3.5" COUPLING SHAFT		01
05	0503010523	1/4" X 2" SPLIT PIN		02
06	0511058419	HYDRAULIC CYLINDER 50,80 X 101,60 X 514 X 206	6	01
07	0521012053	1.5" X 8.6" AXLE		01
08	0501011301	1.1/2" UNC 6FPP 2.5/16" NUT		01
09	0503010010	SPLIT PIN 1/4" X 2.1/2"		01
10	0531019171	1.25" X 7" COUPLING SHAFT		01



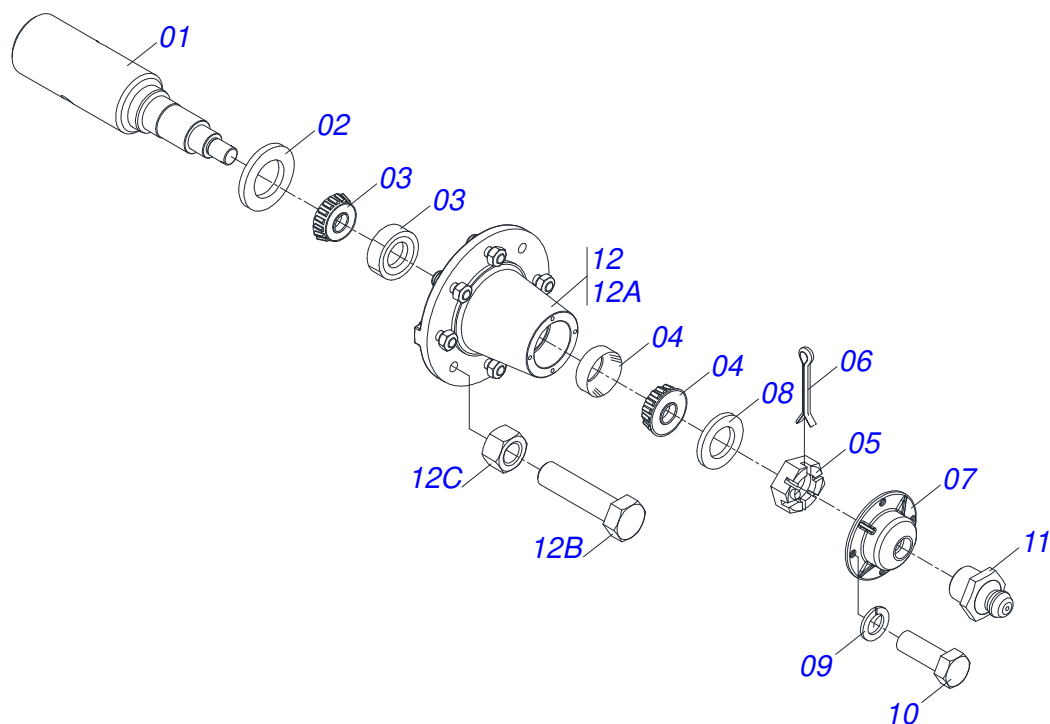
Item	Code	Description	See page	QT
01	0511061336	101,6 X 398 CYLINDER CASE		01
02	0503010817	SELF LOCKING NUT 1.1/4 UNF ALTA G.5 ZN		01
03	0503010345	2-218 N 3006-9B O'RING		01
04	0503015636	SCRAPER SEAL		01
05	0503010338	2-342 N 3006-9B O'RING		02
06	0503011061	8-342 BACK-UP RING		02
07	0502040747	32.54 CLEVIS CLAMP		01
08	0503011094	BOLT 3/8" UNC X 2" C C S I 12.9		01
09	0503011443	SPRING WASHER 3/8"		01
10	0521010422	HYDRAULIC CYLINDER TURNBUCKLE		01
11	0503030384	PLUG N-001		02
12	0503015633	SELEMASTER SEALING		01
13	0503010026	3/8" NUT		01
14	0581010678	50,80 X 101 RING SUPPORT		01
15	0503018025	RING GUIDE W2-2250-750		01
16	0503018026	GASKET 1870-2000-375 B POLYMAX		01
17	0502012822	END CAP 4"		01
18	0502012842	50,80 X 101,60 PISTON		01
19	0511032511R	HYDRAULIC CYLINDER REPAIR KIT		01



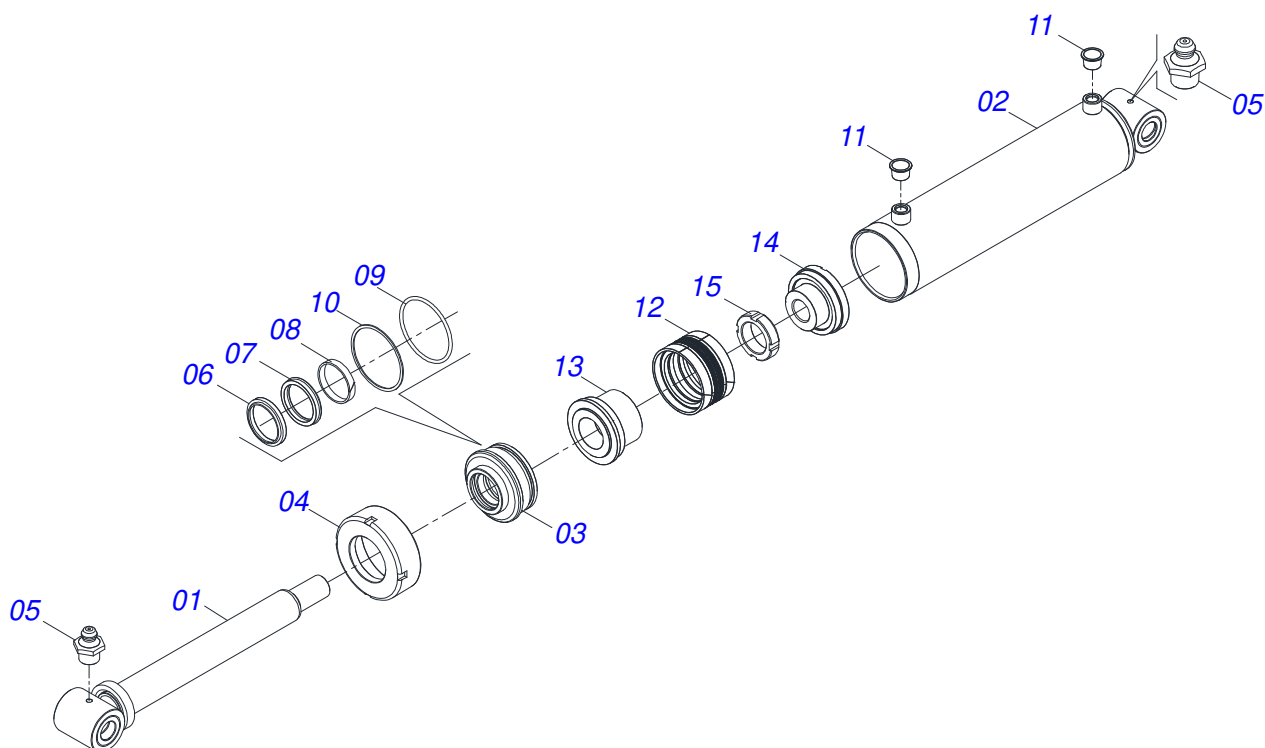
Item	Code	Description	See page	QT
01	0521068368	CARRYING-WHEELS SUPPORT		01
02	0503060102	WHEEL AND TIRE 400/60 - 14L RIGHT	8	02
03	0501056467	WHEEL WITHOUT TIRE	9	02
04	0521051832	HYDRAULIC CYLINDER 53,98 X 114,30 X 654 X 346	10	02
05	0503011198	BOLT 3/4" UNC X 6" CS G.5		02
06	0503010023	3/4" SPRING WASHER		02
07	0503010014	3/4" ZN G.5 (HEAVY) UNC HEX NUT		02
08	0503010002	1800 GREASE FITTING		02
09	0531018062	COUPLING SHAFT		02
10	0521011565	FLAT WASHER		04
11	0503010012	1" SPRING WASHER		04
12	0503011250	1" X 2" BOLT		04
13	0531018101	1.2" X 6.3" PIVOT SHAFT		02
14	0501017779	FLAT WASHER 32 X 60 X 4,75		08
15	0503011877	0.3" X 2.4" SPRING PIN		08
16	0531018105	1.2" X 11.8" PIVOT SHAFT		02



Item	Code	Description	See page	QT
01	0501069483	WHEEL 13 X 15,5 - 21FT		01
02	0503012112	400/60 - 15.5 TR 15 INNER TIRE		01
03	0503013119	CANVAS TIRE 400/60-15,5-T404-14L TRELEBORG		01

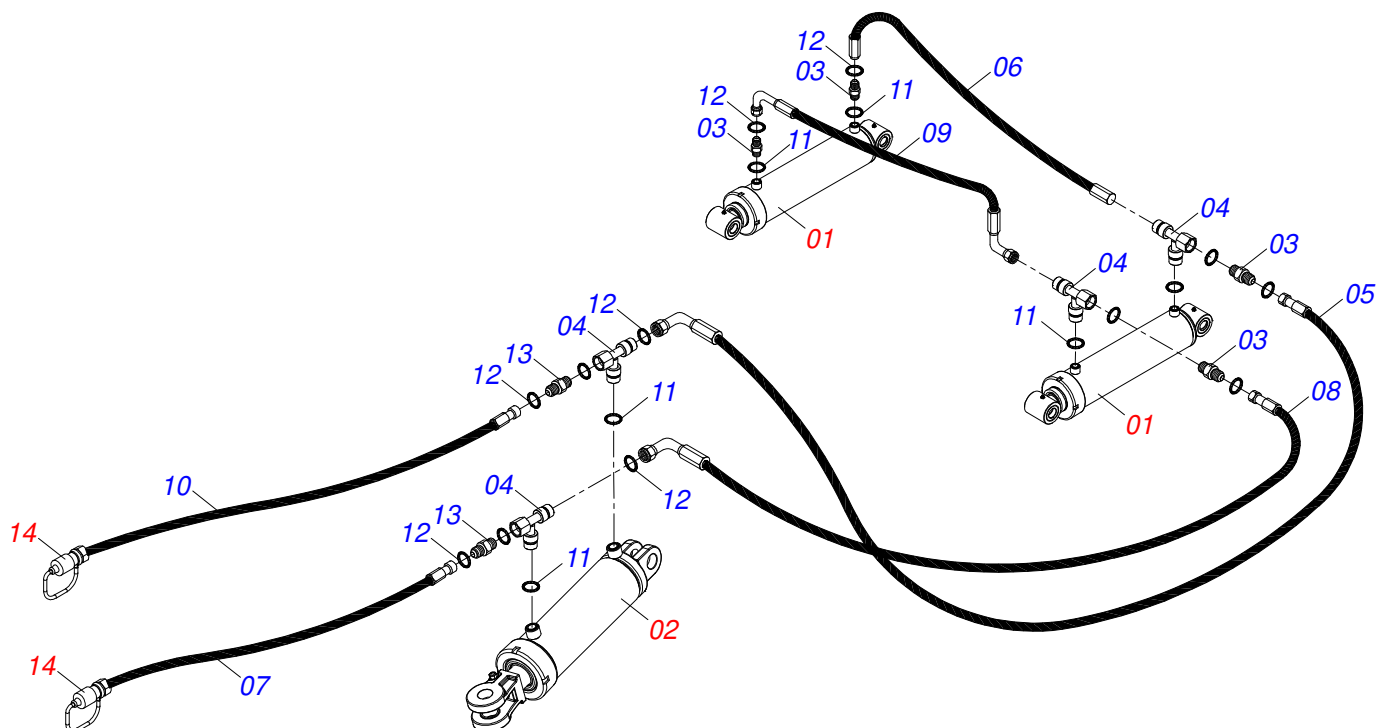


Item	Code	Description	See page	QT
01	0541016566	SPINDLE 3.1/2 X 375		01
02	0503013314	RETAINER 5166-GB 63,5 X 110 X 13 ARCA		01
03	0503015290	ROLLER BEARING 3780/3720		01
04	0503014821	ROLLER BEARING 2780/2720		01
05	0503830009	CASTLE NUT R 1 UNS 14FPP X 22 SA		01
06	0503010018	5/32" X 1-1/2" SPLIT PIN		01
07	0502020591	PROTECCION COVER		01
08	0511812492	FLAT WASHER 28 X 46 X 6,30 AS		01
09	0503011444	SPRING WASHER 5/16"		04
10	0503810358	BOLT 5/16 UNC X 7/8" C S G.5 SA		04
11	0503010002	1800 GREASE FITTING		01
12	0501110738	CARRYING WHEEL HUB 21FT		01
12A	0502012260	TRANSPORT CARRYING-WHEEL HUB		01
12B	0501010186	WHEEL BOLT 5/8"UNF X 2.1/8CR		08
12C	0503010064	5/8 UNF CONIC NUT		08

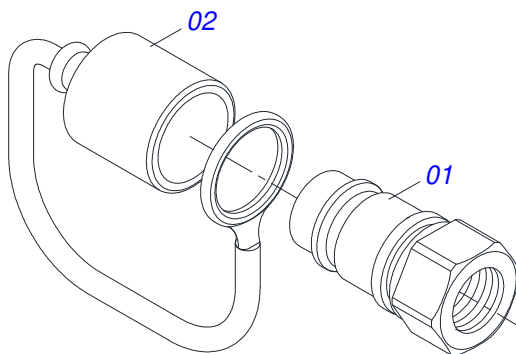


Item	Code	Description	See page	QT
01	0521061684	56,98 X 590,50 TURNBUCKLE		01
02	0521061685	114,30 X 500 CYLINDER CASE		01
03	0502012644	RING SUPPORT		01
04	0502011222	END CAP 4 . 1/2"		01
05	0503010002	1800 GREASE FITTING		02
06	0503015715	SCRAPER SEALING		01
07	0503015642	U-CUP SEALING RUUB000970		01
08	0503015641	WEAR RING		00
09	0503011892	O' RING, 2-346 N 3006-9B		01
10	0503011893	BACK-UP RING, 8-346		01
11	0503030384	PLUG N-001		02
12	0503015640	SEALING SELEMASTER		01
13	0561016578	PISTON BODY		01
14	0581015283	BODY		01
15	0503819100	SCREW		01
16	0511034304	HYDRAULIC CYLINDER REPAIR KIT (0521051832)		01

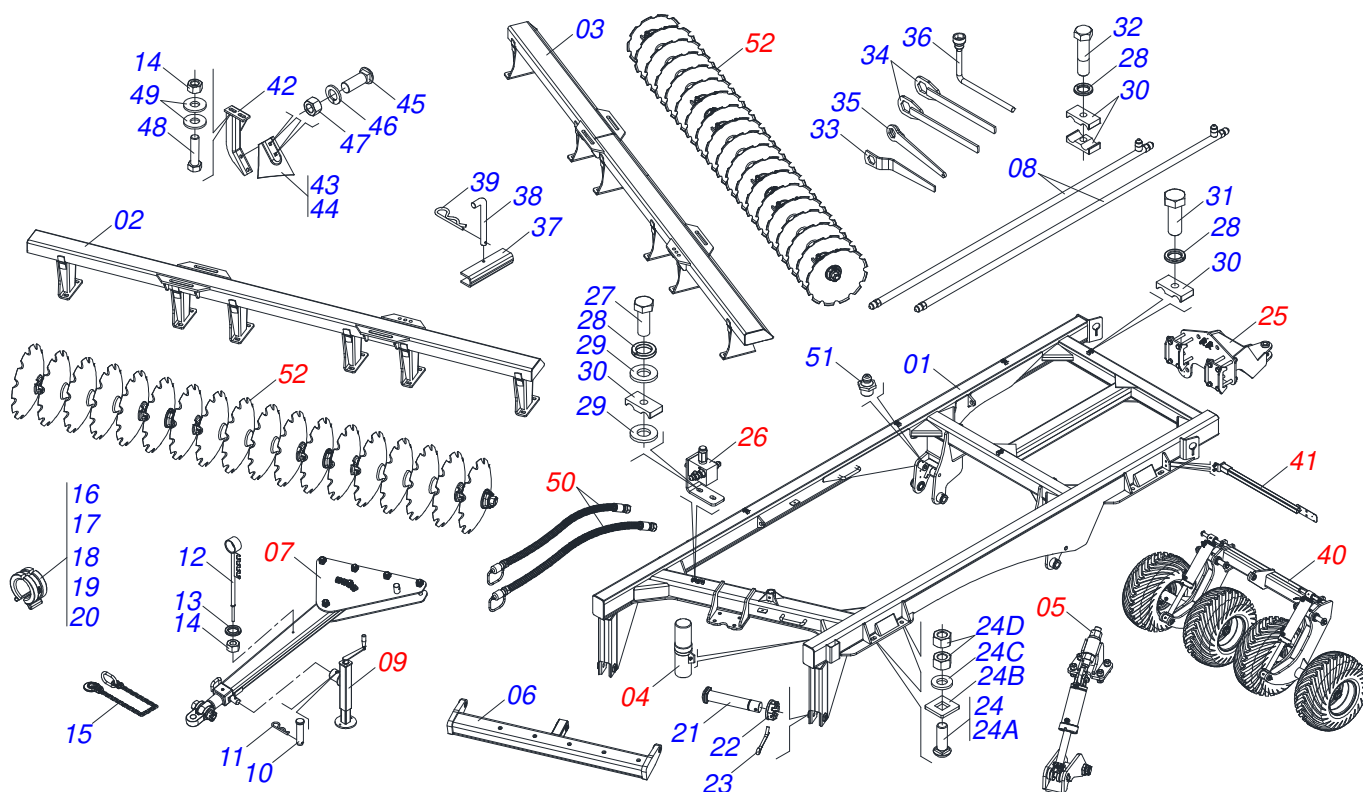




Item	Code	Description	See page	QT
01	0521051832	HYDRAULIC CYLINDER 53,98 X 114,30 X 654 X 346	10	02
02	0511058419	HYDRAULIC CYLINDER 50,80 X 101,60 X 514 X 206	6	01
03	0503030923	3/4" UNF X 13/16UN OFS X 40 NIPPLE		06
04	0503013637	T 1/2" MALE ADAPTER		04
05	0501080724	3/8" X 185" TR-TC HOSE		01
06	0501082182	3/8" X 52" TR-TR HOSE		01
07	0521052496	3/8" X 216" TR-TM BLACK/BLUE HOSE		01
08	0501080605	3/8" X 160" TR-TC HOSE		02
09	0501080514	3/8" X 67" TC-TC HOSE		01
10	0521052495	3/8" X 216" TR-TM BLACK/RED HOSE		01
11	0503010190	2-114 N 3006-9B O'RING		06
12	0503011030	2-014 N 3006-9B O'RING		14
13	0503032031	3/4" UNF REDUCTION NIPPLE		02
14	0501053834	MALE QUICK COUPLER	12	02



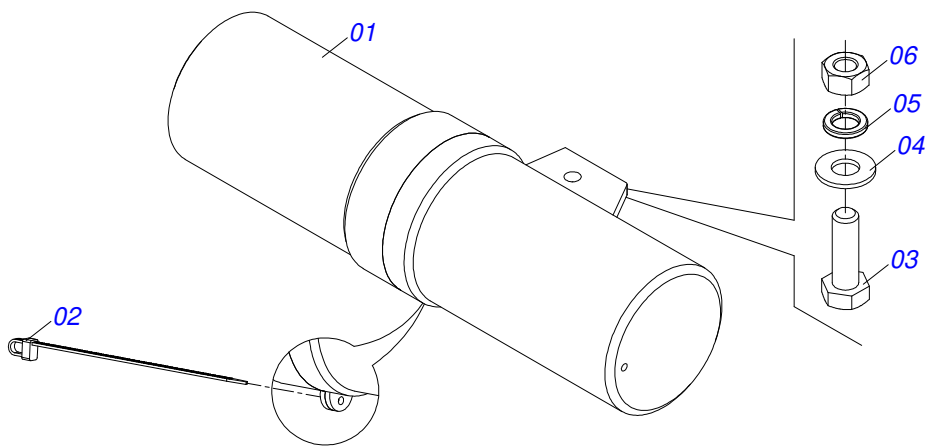
Item	Code	Description	See page	QT
01	0503011627	MALE QUICK COUPLER AGR 1/2 NPT		01
02	0503011882	MALE QUICK COUPLER CAP		01



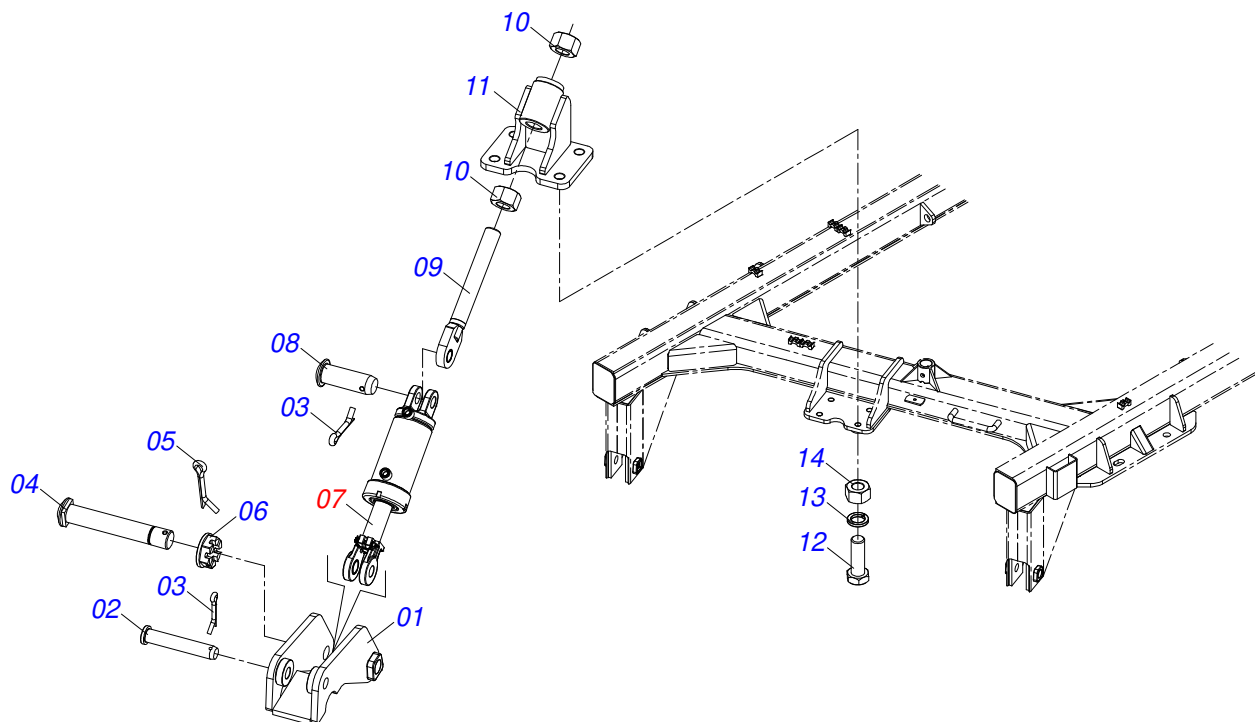
Item	Code	Description	See page	029	031	033	035	037
01	0521066702	FRAME		001	001	001	001	001
02	0521062732	FRONT FRAME - 29D		001	000	000	000	000
02.	0511066577	FRONT FRAME - 31D		000	001	000	000	000
02..	0521062726	FRONT FRAME - 33D		000	000	001	000	000
02...	0521062724	FRONT FRAME - 35D		000	000	000	001	000
02....	0511066623	FRONT FRAME - 37D		000	000	000	000	001
03	0521062733	REAR FRAME - 29D		001	000	000	000	000
03.	0511066578	REAR FRAME - 31D		000	001	000	000	000
03..	0521062727	REAR FRAME - 33D		000	000	001	000	000
03...	0521062725	REAR FRAME - 35D		000	000	000	001	000
03....	0521066747	REAR FRAME - 37D		000	000	000	000	001
04	0521052190	MANUAL CANISTER ASSY	14	001	001	001	001	001
05		DRAWBAR ARTICULATED ASSY	15					
06	0521066699	OFFSET BAR		001	001	001	001	001
07	0521041823	TRACTION BAR ASSY (PIN 3")	17	001	001	001	001	001
08	0521066937	OIL DISTRIBUTOR DUCT		002	002	002	002	002
09	0511048088	DRAWBAR JACK	4	001	001	001	001	001
10	0561014251	COUPLING SHAFT		001	001	001	001	001
11	0503030012	HITCH PIN CLIP		001	001	001	001	001
12	0521062849	HOSE HOLDER ASSY		001	001	001	001	001
13	0503010023	3/4" SPRING WASHER		007	007	007	007	007
14	0503010014	3/4" ZN G.5 (HEAVY) UNC HEX NUT		063	067	071	075	079
15	0503013150	1300 X 3/8" CHAIN		001	001	001	001	001
16	0501047895	25 ROD STOP		004	004	004	004	004
17	0501047885	30 ROD STOP		002	002	002	002	002
18	0501047886	35 ROD STOP		002	002	002	002	002
19	0501047887	40 ROD STOP		002	002	002	002	002
20	0501047888	45 ROD STOP		002	002	002	002	002
21	0541014119	37.5 X 195 COUPLING SHAFT		002	002	002	002	002
22	0501011301	1.1/2" UNC 6FPP 2.5/16" NUT		002	002	002	002	002
23	0503010010	SPLIT PIN 1/4" X 2.1/2"		002	002	002	002	002
24	0521040349	1-1/4" X 5.3/4" BOLT		008	008	008	008	008



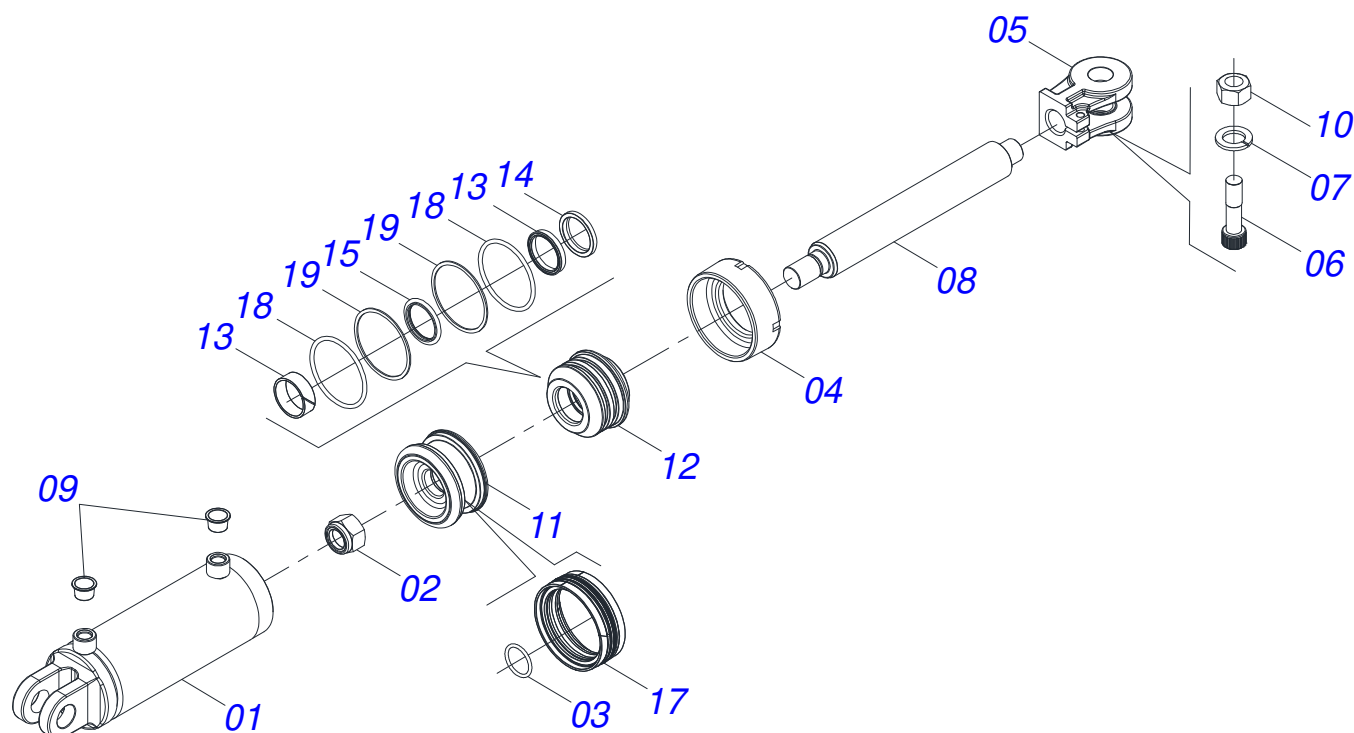
Item	Code	Description	See page	029	031	033	035	037
24A	0501010954	1.1/4" X 5.3/4" BOLT		008	008	008	008	008
24B	0571010449	LOCK BOLT		008	008	008	008	008
24C	0571010448	32,50 X 75 X 16 SLEEVE		008	008	008	008	008
24D	0501010087	1.1/4" NUT		016	016	016	016	016
25		REAR COUPLING KIT	18					
26	0511059196	VALVE ASSY	20	001	001	001	001	001
27	0503011173	7/16" X 2" BOLT		002	002	002	002	002
28	0503010180	7/16" SPRING WASHER		007	007	007	007	007
29	0501012803	FLAT WASHER 12 X 30 X 3,00 ZN		004	004	004	004	004
30	0502010477	HOSE CLAMP		009	009	009	009	009
31	0503011135	BOLT 7/16" UNC X 1.1/2" C S G.5 ZN		003	003	003	003	003
32	0503011103	BOLT 7/16" UNC X 2.1/2" C S G.5 ZN		002	002	002	002	002
33	0501011432	1-1/2" AND 1-5/8 GANG BOLT WRENCH		001	001	001	001	001
34	0501061044	2-1/8" AND 2-1/2" CABLE FLAT WRENCH		002	002	002	002	002
35	0521062858	1.1/4" WRENCH NUT		001	001	001	001	001
36	0503016137	1-1/4" WRENCH CABLE CYLINDER		001	001	001	001	001
37	0561016693	TRANSPORT LOCK		002	002	002	002	002
38	0541016844	FIXER LOCK		002	002	002	002	002
39	0503030285	HITCH PIN CLIP		002	002	002	002	002
40		CARRYING-WHEEL ASSY	21					
41		LANTERN FIXING ASSY	24					
42	0511064771	FRONT SCRAPER SUPPORT		029	031	033	035	037
43	0521013678	FRONT CLEANER		014	015	016	017	018
44	0521013679	REAR CLEANER		015	016	017	018	019
45	0503012195	5/8" NUT		058	062	066	070	074
46	0503010027	5/8 SPRING WASHER		058	062	066	070	074
47	0503010013	5/8 UNC G.5 ZN HEX NUT		058	062	066	070	074
48	0501010500	3/4" X 3" BOLT		058	062	066	070	074
49	0541010763	FLAT WASHER		116	124	132	140	148
50		HYDRAULIC CIRCUIT W/REAR HITCH - 29/31/33/35/37D	25					
51	0503010002	1800 GREASE FITTING		008	008	008	008	008
52		DISC GANG - 29/31/33/35/37D	33					



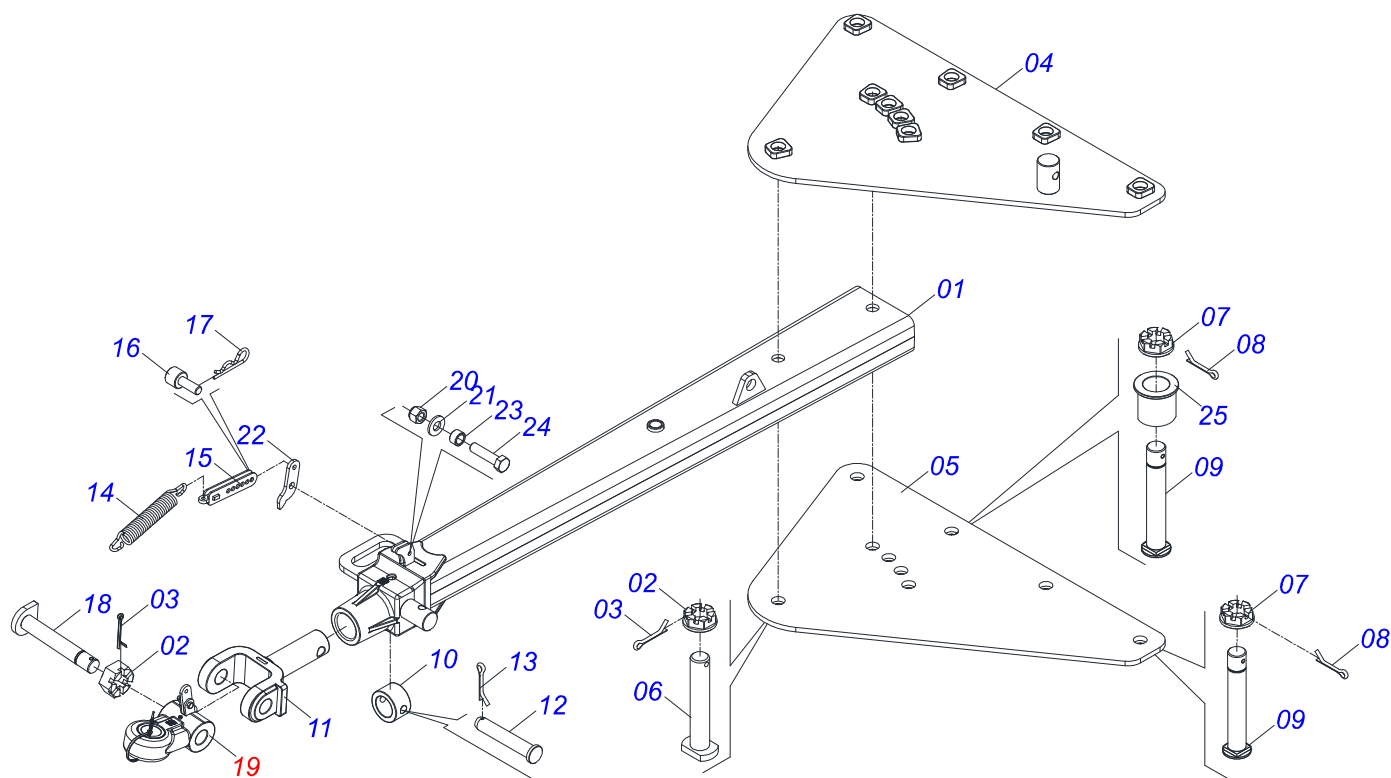
Item	Code	Description	See page	QT
01	0503060100	SUPPORT INSTRUCTION MANUAL		01
02	0503010267	NYLON CLAMP 3,60 X 1,3 X 155 MM		01
03	0503010363	BOLT 5/16 UNC X 1 C S G.2 ZN		01
04	0501010694	FLAT WASHER 32,50 X 75 X 4,75		01
05	0503010179	LOCK WASHER 5/16 ZN 1K01528		01
06	0503010337	NUT 5/16 UNC G.5 ZN		01



Item	Code	Description	See page	QT
01	0511064656	DRAWBAR PIVOT		01
02	0531019171	1.25" X 7" COUPLING SHAFT		01
03	0503010523	1/4" X 2" SPLIT PIN		02
04	0521812053	1.5" X 8.6" AXLE		01
05	0503010010	SPLIT PIN 1/4" X 2.1/2"		01
06	0501011301	1.1/2" UNC 6FPP 2.5/16" NUT		01
07	0511058521	2" X 4" X 20" X 6" HYDRAULIC CYLINDER	16	01
08	0521812538	COUPLING SHAFT		01
09	0511064433	REGULATOR SPINDLE 1-3/4		01
10	0501010333	1.3/4" NUT		02
11	0521066580	CYLINDER FIXER		01
12	0501010276	BOLT		04
13	0503010012	1" SPRING WASHER		04
14	0501010059	1.5/8 NUT		04

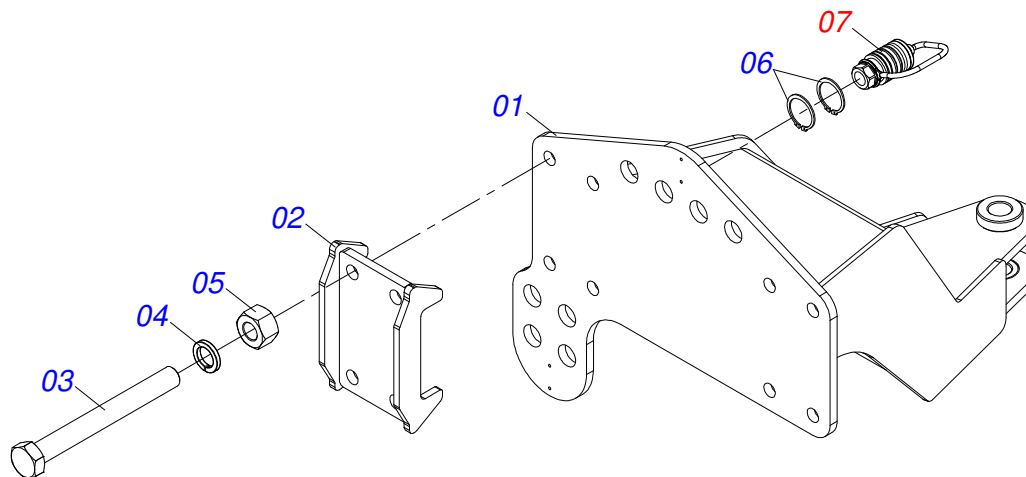


Item	Code	Description	See page	QT
01	0521066698	CYLINDER CASE ASSY		01
02	0503010817	SELF LOCKING NUT 1.1/4 UNF ALTA G.5 ZN		01
03	0503018029	O'RING 2-217 N 3006 90B		01
04	0502012822	END CAP 4"		01
05	0502040747	32.54 CLEVIS CLAMP		01
06	0503011094	BOLT 3/8" UNC X 2" C C S I 12.9		01
07	0503011443	SPRING WASHER 3/8"		01
08	0581011007	HYDRAULIC CYLINDER TURNBUCKLE		01
09	0503030384	PLUG N-001		02
10	0503010026	3/8" NUT		01
11	0502012820	2" X 4" PISTON		01
12	0502012821	2" X 4" RING SUPPORT		01
13	0503018025	RING GUIDE W2-2250-750		01
14	0503010039	D-2000 SCRAPER RING		01
15	0503018026	GASKET 1870-2000-375 B POLYMAX		01
16	0503018024	RING BS OD050805200171D-BR		01
17	0503015633	SELEMASTER SEALING		01
18	0503010338	2-342 N 3006-9B O'RING		02
19	0503011061	8-342 BACK-UP RING		02
20	0511032211R	HYDRAULIC CYLINDER REPAIR KIT		01

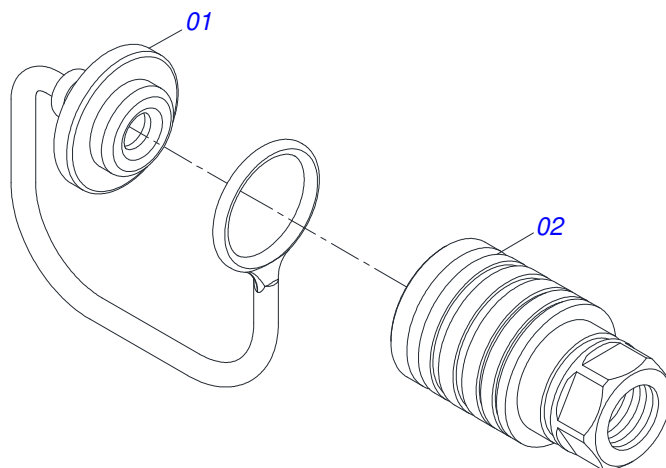


Item	Code	Description	See page	QT
01	0521068249	TRACTION BAR (AXLE 2)		01
02	0502040558	2" CASTLE NUT		02
03	0503010074	3/8" X 4" SPLIT PIN		02
04	0521068246	UPPER PLATE (AXLE 2)		01
05	0521068247	LOWER PLATE (AXLE 2)		01
06	0521068248	JUNCTION AXLE WITH LOCK		01
07	0501811301	CASTLE NUT		05
08	0503010010	SPLIT PIN 1/4" X 2.1/2"		05
09	0521811880	37,50 X 230 X PQ R.1./2 JUNCTION AXLE		05
10	0502040263	HITCH LOCK RING		01
11	1902040897	TRACTOR HITCH		01
12	0561017306	COUPLING SHAFT		01
13	0503010523	1/4" X 2" SPLIT PIN		01
14	0503031741	1.8" X 11.4" 0.3" TRACTION SPRING		01
15	0531061607	SPRING REGULATOR		01
16	0591014558	SPRING REGULATOR FIXER AXLE		01
17	0503030285	HITCH PIN CLIP		01
18	0531061122	AXIS ARTICULATOR		01
19	0531040171	HITCH ASSY	3	01
20	0503010589	1/2" UNC SELF ADJUSTING NUT		01
21	0501010937	13,50 X 28 X 3,00 FLAT WASHER		01
22	0591014554	REAR SUPPORT FIXING SPRING		01
23	0591014552	SLEEVE		01
24	0503010740	BOLT 1/2 UNC X 2 CS G.5 ZN		01
25	0591013086	SLEEVE 52,8 X 78 X 76 (PIN 2")		01

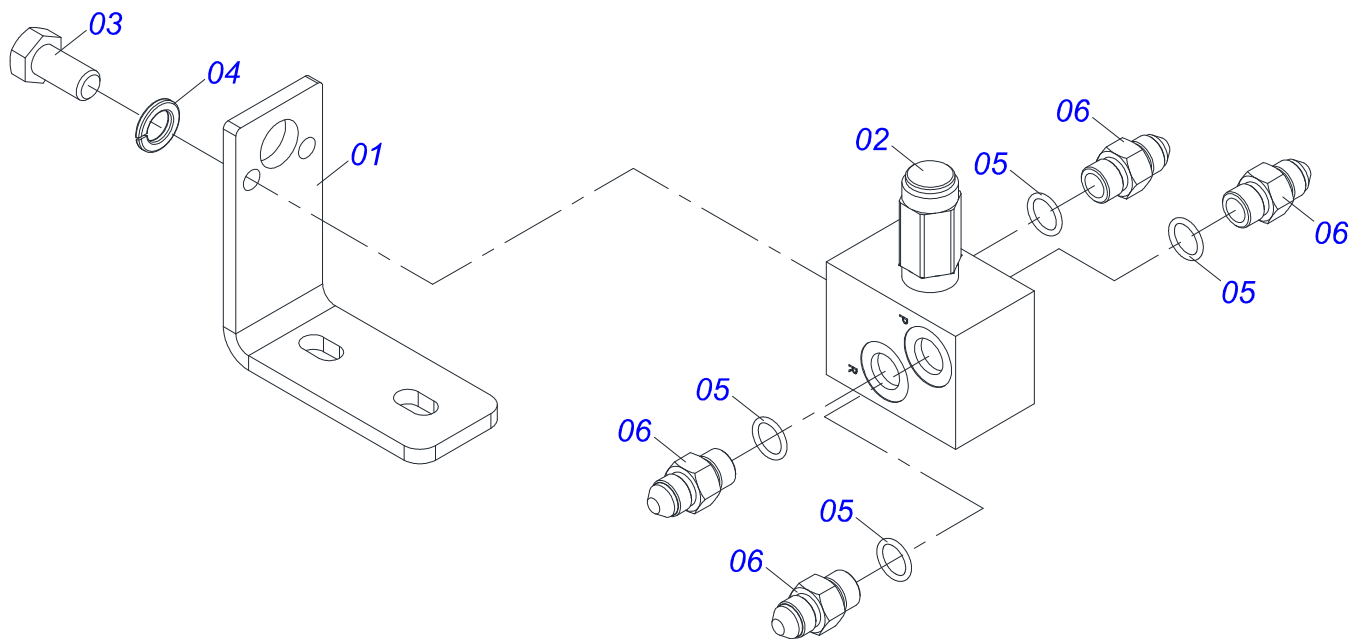




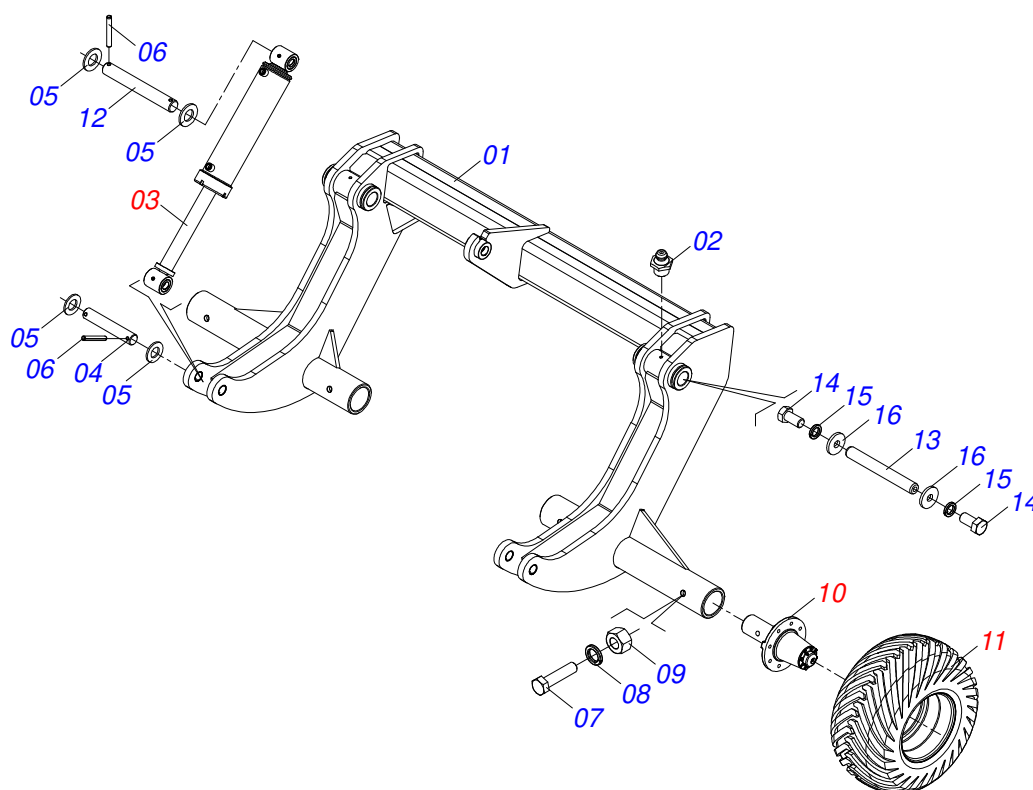
Item	Code	Description	See page	QT
01	0521065966	REAR HITCH		01
02	0521065965	FIXER CLAW		02
03	0501010064	BOLT 1" UNC X 9 CS G.5 ZN		08
04	0503010012	1" SPRING WASHER		08
05	0501010059	1.5/8 NUT		08
06	0503010217	501040 CLAMPING RING (FOR AXLE)		04
07	0501053835	FEMALE QUICK COUPLER	19	02



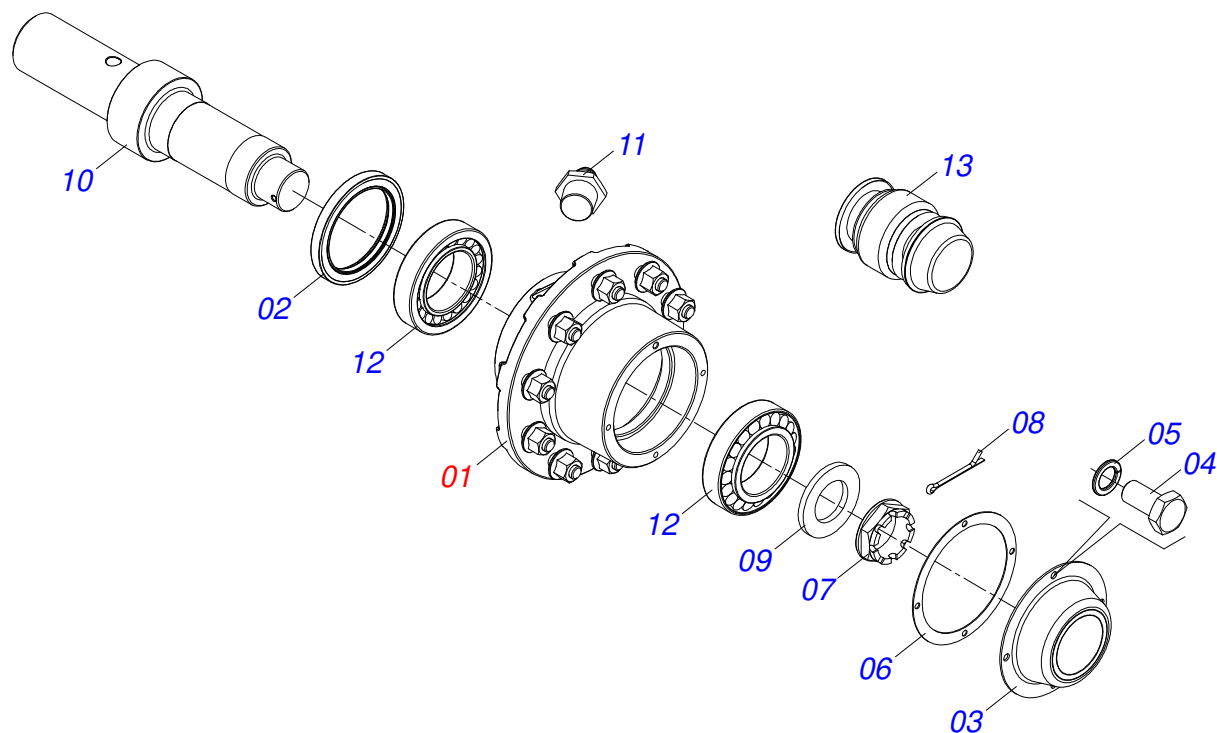
Item	Code	Description	See page	QT
01	0503011883	PLASTIC COVER		01
02	0503011628	FEMALE QUICK COUPLER		01



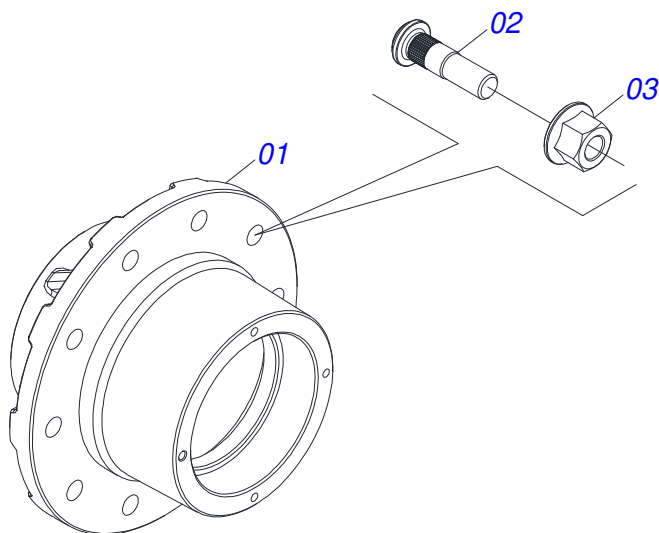
Item	Code	Description	See page	QT
01	0581011745	VALVE SUPPORT		01
02	0503010919	DISCHARGE VALVE		01
03	0503011334	3/8 UNC X 3/4 CS G.5 ZN BOLT		02
04	0503010025	3/8 SPRING WASHER		02
05	0503010190	2-114 N 3006-9B O'RING		04
06	0501010617	NIPLE 3/4" NF X 3/4" NF HEX. 7/8" X 44		04



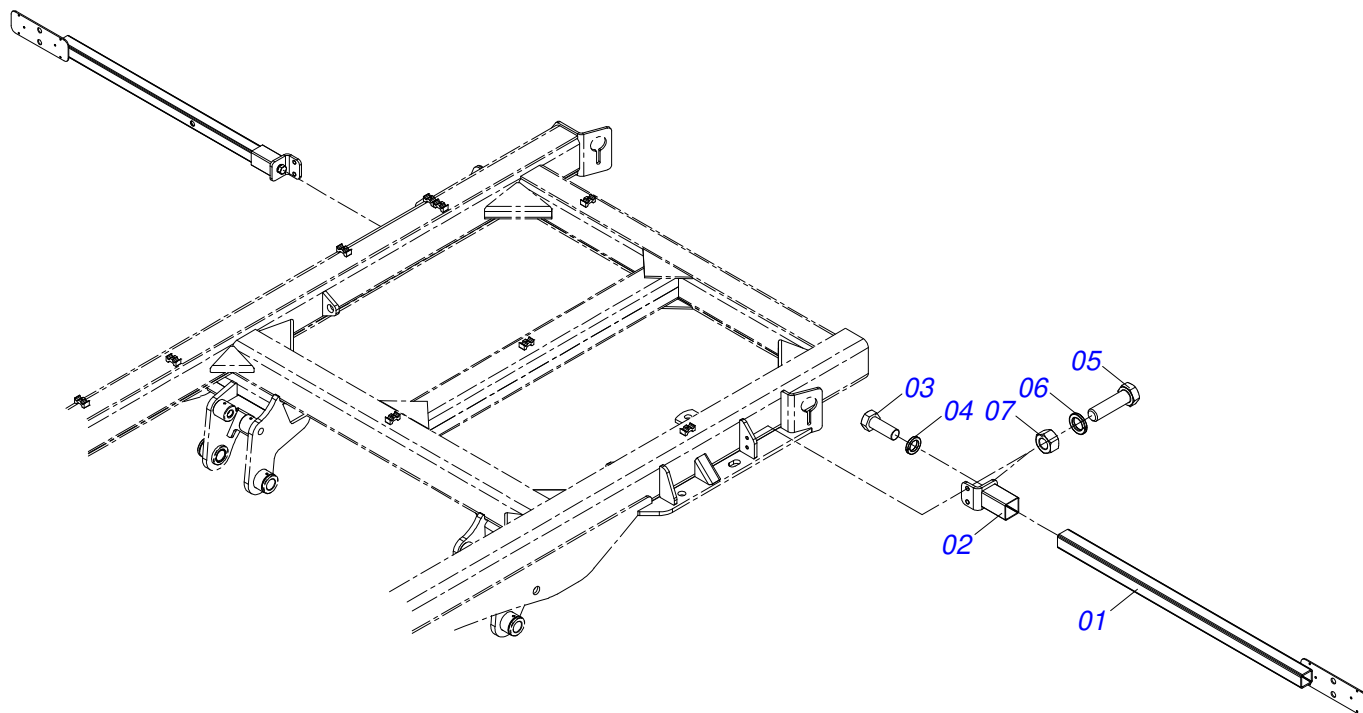
Item	Code	Description	See page	QT
01	0521066478	CARRYNG-WHEELS		01
02	0503010002	1800 GREASE FITTING		02
03	0521051832	HYDRAULIC CYLINDER 53,98 X 114,30 X 654 X 346	10	02
04	0531018101	1.2" X 6.3" PIVOT SHAFT		02
05	0501017779	FLAT WASHER 32 X 60 X 4,75		08
06	0503011877	0.3" X 2.4" SPRING PIN		08
07	0503011198	BOLT 3/4" UNC X 6" CS G.5		02
08	0503010023	3/4" SPRING WASHER		02
09	0503010014	3/4" ZN G.5 (HEAVY) UNC HEX NUT		02
10	0501056467	WHEEL WITHOUT TIRE	9	02
10.	0531051143	WHEEL WITHOUT TIRE 11.25INX8.62INX10F (HOLE 50)	22	04
11	0503060102	WHEEL AND TIRE 400/60 - 14L RIGHT	8	02
12	0531018105	1.2" X 11.8" PIVOT SHAFT		02
13	0531018062	COUPLING SHAFT		02
14	0503011250	1" X 2" BOLT		04
15	0503010012	1" SPRING WASHER		04
16	0521011565	FLAT WASHER		04



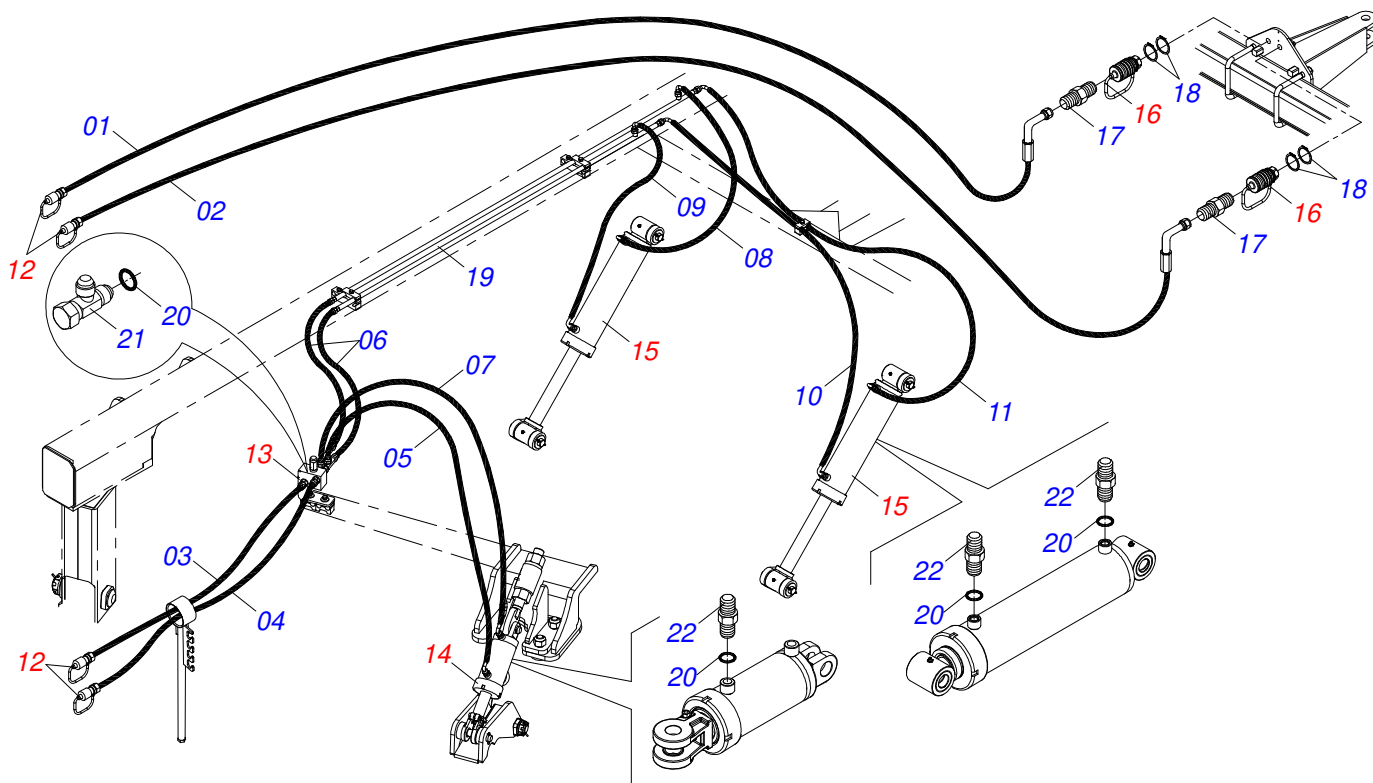
Item	Code	Description	See page	QT
01	0501111042	WHEEL CASE WITH SCREW	23	01
02	0503013541	REAR RETAINER 0310-BG AR22 1G25356		01
03	0503013549	HUB COVER		01
04	0503013546	BOLT SX MA5,8 M10X1,5X20ZA DI		04
05	0503013542	M10 SPRING WASHER		04
06	0503013548	JOINT CORK CR4F		01
07	0502040080	FLANGE NUT R.2.1/2" UN		01
08	0503012213	1/4" X 4" SPLIT PIN		01
09	0531019986	64 X 110 X 9.5 FLAT WASHER		01
10	0591018279	AXLE TIP R 2. 1/2 UN (FURO 50)		01
11	0503010002	1800 GREASE FITTING		01
12	0503013243	32218 ROLLER BEARING		02
13	1882970002	GREASE		01



Item	Code	Description	See page	QT
01	0502012972	HUB		01
02	0503035269	CRA RDA UNF3/4 X 2.7/8 X 3.7/32 DIR R G8 BOLT		10
03	0503019871	HEXAGONAL NUT 3/4 UNF 16FPP FLANGEADA G8 SA		10

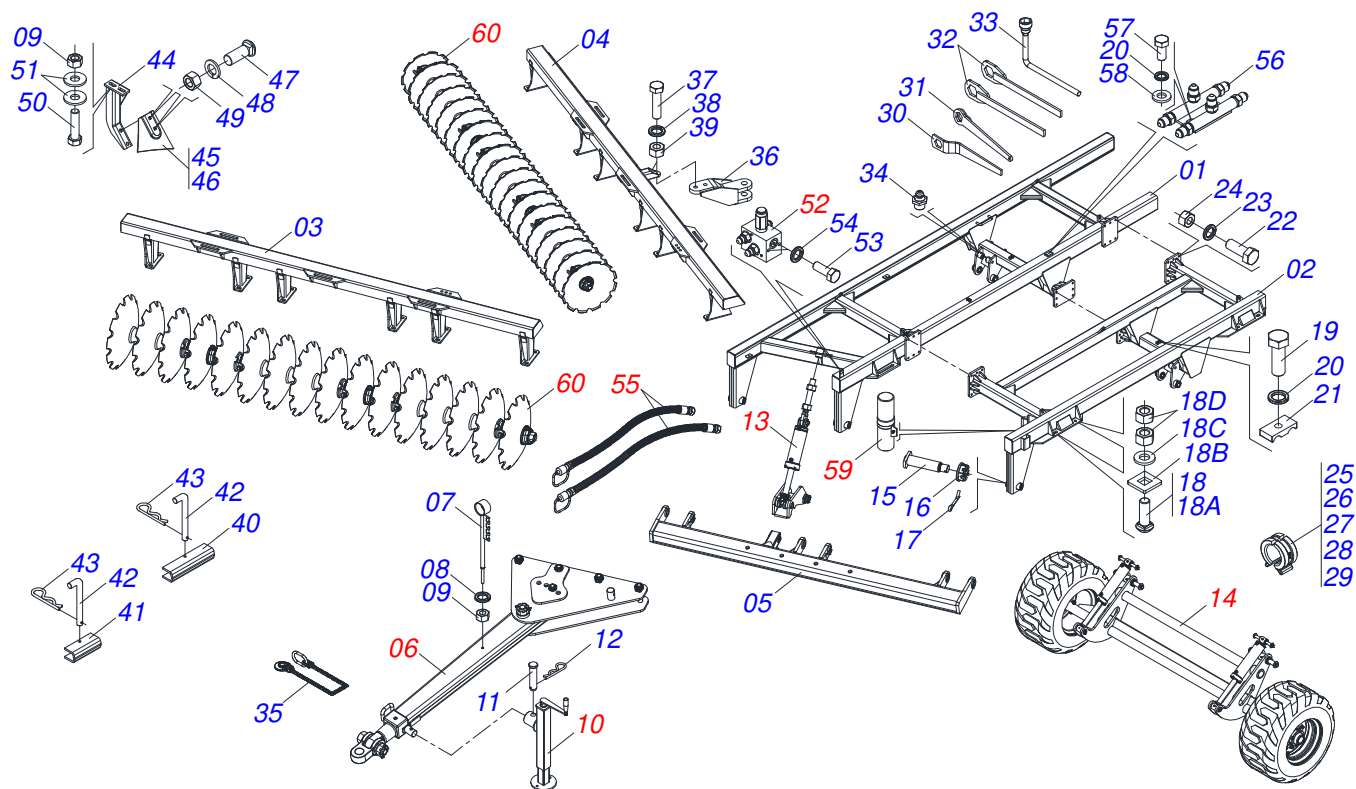


Item	Code	Description	See page	QT
01	0521066443	SUPPORT FIXER LANTERN		02
02	0521066624	FIXER SUPPORT LANTERN		02
03	0501010098	BOLT 3/4" UNC X 2 C S G.5 ZN		02
04	0503010023	3/4" SPRING WASHER		02
05	0503011082	C1/2" X 1.3/4" SCREW		04
06	0503010019	1/2" SPRING WASHER		04
07	0503010060	1/2 UNC G.5 ZN HEX NUT		04



Item	Code	Description	See page	QT
01	0521052430	3/8" X 472" TC-TM GRAY/RED HOSE		01
02	0521052457	3/8" X 472" TC-TM GRAY/BLUE HOSE		01
03	0521052495	3/8" X 216" TR-TM BLACK/RED HOSE		01
04	0521052496	3/8" X 216" TR-TM BLACK/BLUE HOSE		01
05	0501080436	3/8" X 62" TR-TC HOSE		01
06	0501080106	3/8" X 31" TR-TR HOSE		02
07	0501080302	3/8" X 55" TR-TC HOSE		01
08	0501080931	3/8" X 39" TC-TC HOSE		01
09	0501080065	3/8" X 47" TC-TC HOSE		01
10	0501080432	3/8" X 102" TC-TC HOSE		01
11	0501080393	3/8" X 86" TC-TC HOSE		01
12	0501053834	MALE QUICK COUPLER	12	04
13	0511059196	VALVE ASSY	20	01
14	0511058521	2" X 4" X 20" X 6" HYDRAULIC CYLINDER	16	01
15	0521051832	HYDRAULIC CYLINDER 53,98 X 114,30 X 654 X 346	10	02
16	0501053835	FEMALE QUICK COUPLER	19	02
17	0571015342	3/4" NIPLE		02
18	0503010217	501040 CLAMPING RING (FOR AXLE)		04
19	0521066937	OIL DISTRIBUTOR DUCT		02
20	0503010190	2-114 N 3006-9B O'RING		08
21	0503011968	NUT 3/4" 8R6X-S T ADAPTER WITH SWIVEL		02
22	0501010617	NIPLE 3/4" NF X 3/4" NF HEX. 7/8" X 44		06

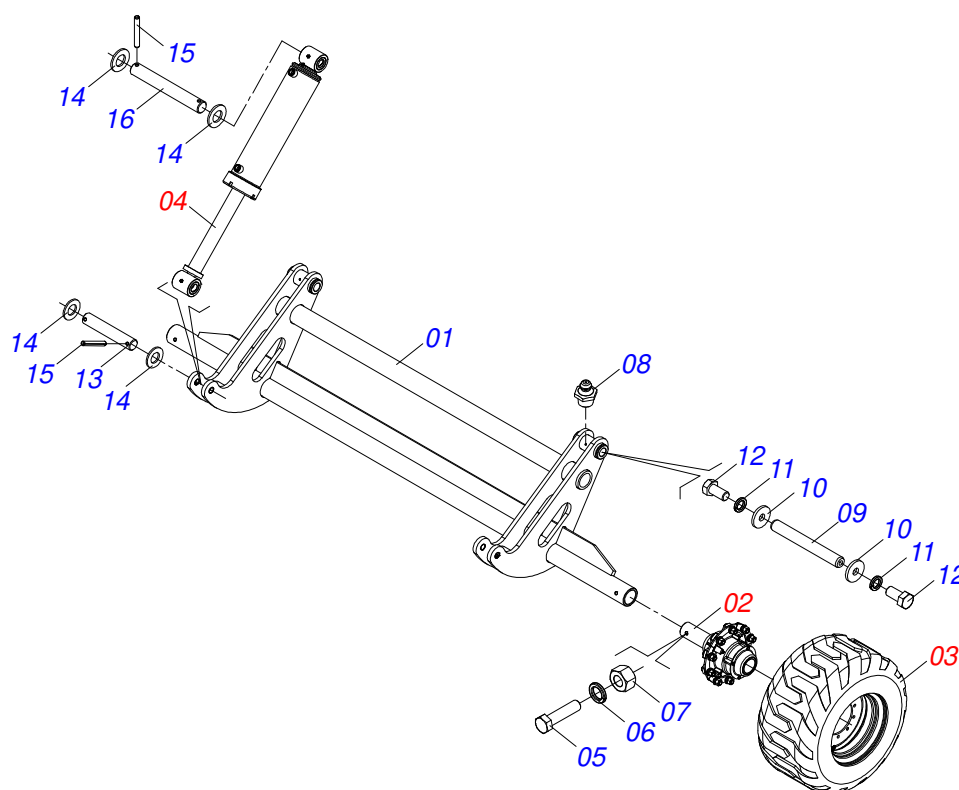




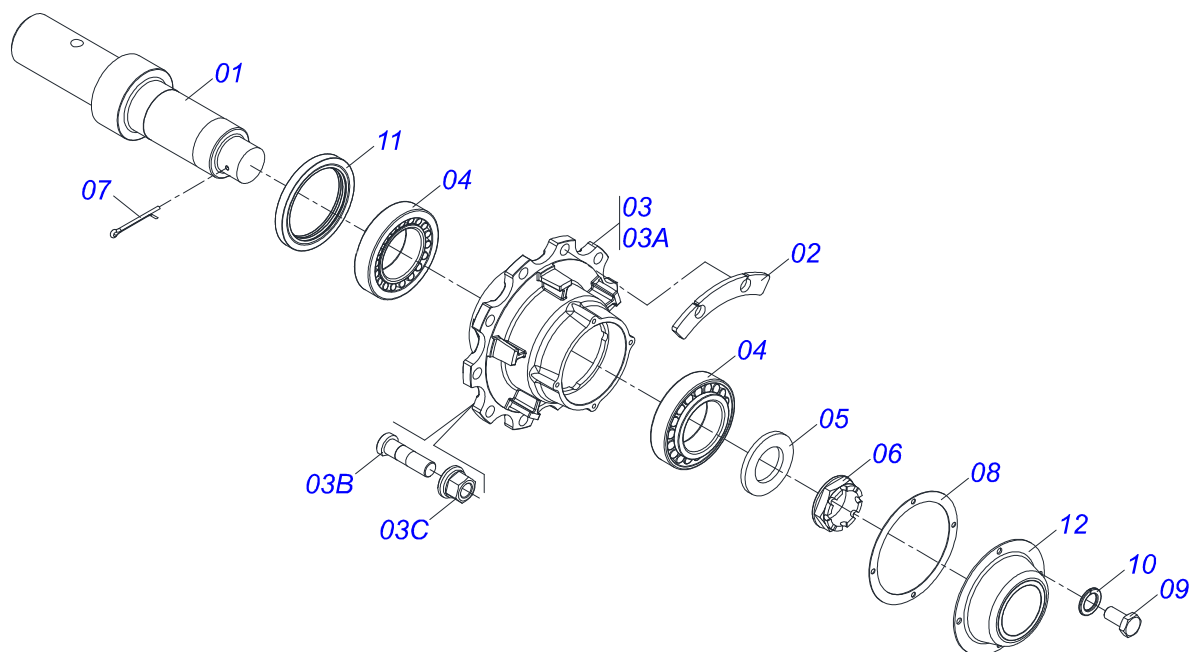
Item	Code	Description	See page	039	041	045
01	0521065285	RIGHT FRAME		001	001	001
02	0521065287	LEFT FRAME		001	001	001
03	0521065446	FRONT FRAME - 39D		001	000	000
03.	0521065448	FRONT FRAME - 41D		000	001	000
03..	0521065450	FRONT FRAME - 45D		000	000	001
04	0521065447	REAR FRAME - 39D		001	000	000
04.	0521065449	REAR FRAME - 41D		000	001	000
04..	0521065451	REAR FRAME - 45D		000	000	001
05	0521065288	OFFSET BAR		001	001	001
06	0521041823	TRACTION BAR ASSY (PIN 3")	17	001	001	001
07	0521062849	HOSE HOLDER ASSY		001	001	001
08	0503010023	3/4" SPRING WASHER		001	001	001
09	0503010014	3/4" ZN G.5 (HEAVY) UNC HEX NUT		081	085	093
10	0511048088	DRAWBAR JACK	4	001	001	001
11	0561014251	COUPLING SHAFT		001	001	001
12	0503030285	HITCH PIN CLIP		001	001	001
13		DRAWBAR ARTICULATED ASSY	5			
14		CARRYING-WHEEL ASSY	27			
15	0521063989	50,8 X 380 AXLE WITH LOCK		003	003	003
16	0501011301	1.1/2" UNC 6FPP 2.5/16" NUT		003	003	003
17	0503010010	SPLIT PIN 1/4" X 2.1/2"		003	003	003
18	0521040349	1-1/4" X 5.3/4" BOLT		010	010	010
18A	0501010954	1.1/4" X 5.3/4" BOLT		010	010	010
18B	0571010449	LOCK BOLT		010	010	010
18C	0571010448	32,50 X 75 X 16 SLEEVE		010	010	010
18D	0501010087	1.1/4" NUT		020	020	020
19	0503011135	BOLT 7/16" UNC X 1.1/2" C S G.5 ZN		004	004	004
20	0503010180	7/16" SPRING WASHER		006	006	006
21	0502010477	HOSE CLAMP		004	004	004
22	0501010171	BOLT 1 UNC X 3.1/2 C S G.5		018	022	018
23	0503010012	1" SPRING WASHER		018	022	022
24	0501010059	1.5/8 NUT		018	022	018



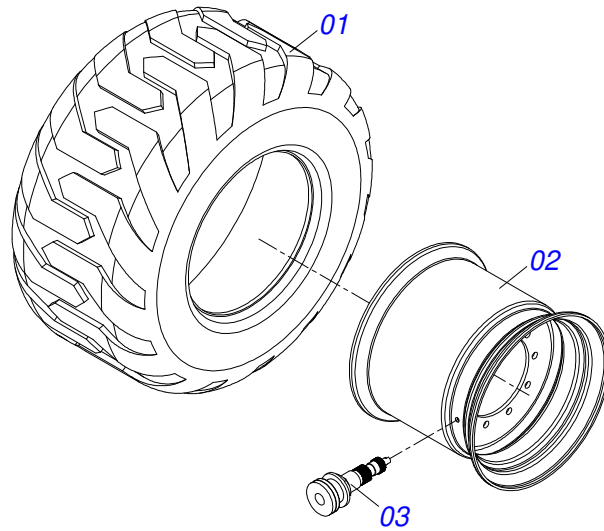
Item	Code	Description	See page	039	041	045
25	0501047895	25 ROD STOP		006	006	006
26	0501047885	30 ROD STOP		003	003	003
27	0501047887	40 ROD STOP		003	003	003
28	0501047886	35 ROD STOP		003	003	003
29	0501047888	45 ROD STOP		003	003	003
30	0501011432	1-1/2" AND 1-5/8 GANG BOLT WRENCH		001	001	001
31	0521062858	1.1/4" WRENCH NUT		001	001	001
32	0501061044	2-1/8" AND 2-1/2" CABLE FLAT WRENCH		002	002	002
33	0503016137	1-1/4" WRENCH CABLE CYLINDER		001	001	001
34	0503010002	1800 GREASE FITTING		010	010	010
35	0503013150	1300 X 3/8" CHAIN		001	001	001
36	0511064810	REAR HITCH		001	001	001
37	0503011346	7/8" X 3-1/2" BOLT		002	002	002
38	0503010408	7/8" SPRING WASHER		002	002	002
39	0503010417	7/8" NUT		002	002	002
40	0561016693	TRANSPORT LOCK		002	002	002
41	0551019515	LATCH SHIPPING		001	001	001
42	0541016844	FIXER LOCK		003	003	003
43	0503030285	HITCH PIN CLIP		002	002	002
44	0511064771	FRONT SCRAPER SUPPORT		039	041	045
45	0521013678	FRONT CLEANER		019	020	022
46	0521013679	REAR CLEANER		020	021	023
47	0503012195	5/8" NUT		078	082	090
48	0503010027	5/8 SPRING WASHER		078	082	090
49	0503010013	5/8 UNC G.5 ZN HEX NUT		078	082	090
50	0501010500	3/4" X 3" BOLT		078	082	090
51	0541010763	FLAT WASHER		156	164	180
52	0521052191	RELIEF VALVE	30	001	001	001
53	0503010237	3/8" X 1" BOLT		002	002	002
54	0503010025	3/8 SPRING WASHER		002	002	002
55		HYDRAULIC CIRCUIT - 39/41/45D	31			
56	0501068706	DOUBLE CONNECTION		001	001	001
57	0503011338	BOLT 7/16" UNC X 1" CS G.5 ZN		002	002	002
58	0501012803	FLAT WASHER 12 X 30 X 3,00 ZN		002	002	002
59	0521052190	MANUAL CANISTER ASSY	14	001	001	001
60		DISC GANG - 39/41/45D	34			



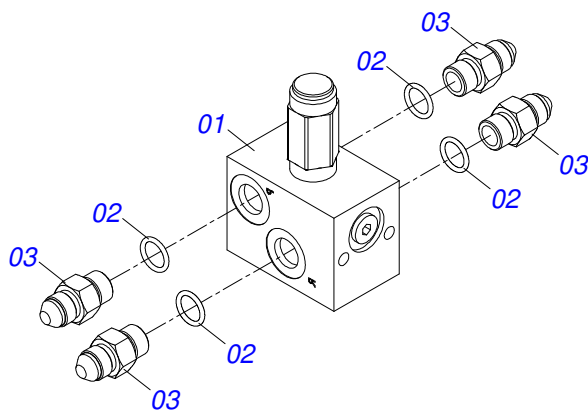
Item	Code	Description	See page	QT
01	0521065289	CARRYING-WHEELS		01
02	0501057120	WHEEL WITHOUT TIRE	28	02
03	0503062172	WHEEL AND TIRE ASSY	29	02
04	0521051832	HYDRAULIC CYLINDER 53,98 X 114,30 X 654 X 346	10	02
05	0503011198	BOLT 3/4" UNC X 6" CS G.5		02
06	0503010023	3/4" SPRING WASHER		02
07	0503010014	3/4" ZN G.5 (HEAVY) UNC HEX NUT		02
08	0503010002	1800 GREASE FITTING		02
09	0531018062	COUPLING SHAFT		02
10	0521011565	FLAT WASHER		04
11	0503010012	1" SPRING WASHER		04
12	0503011250	1" X 2" BOLT		04
13	0531018101	1.2" X 6.3" PIVOT SHAFT		02
14	0501017779	FLAT WASHER 32 X 60 X 4,75		08
15	0503011877	0.3" X 2.4" SPRING PIN		08
16	0531018105	1.2" X 11.8" PIVOT SHAFT		02



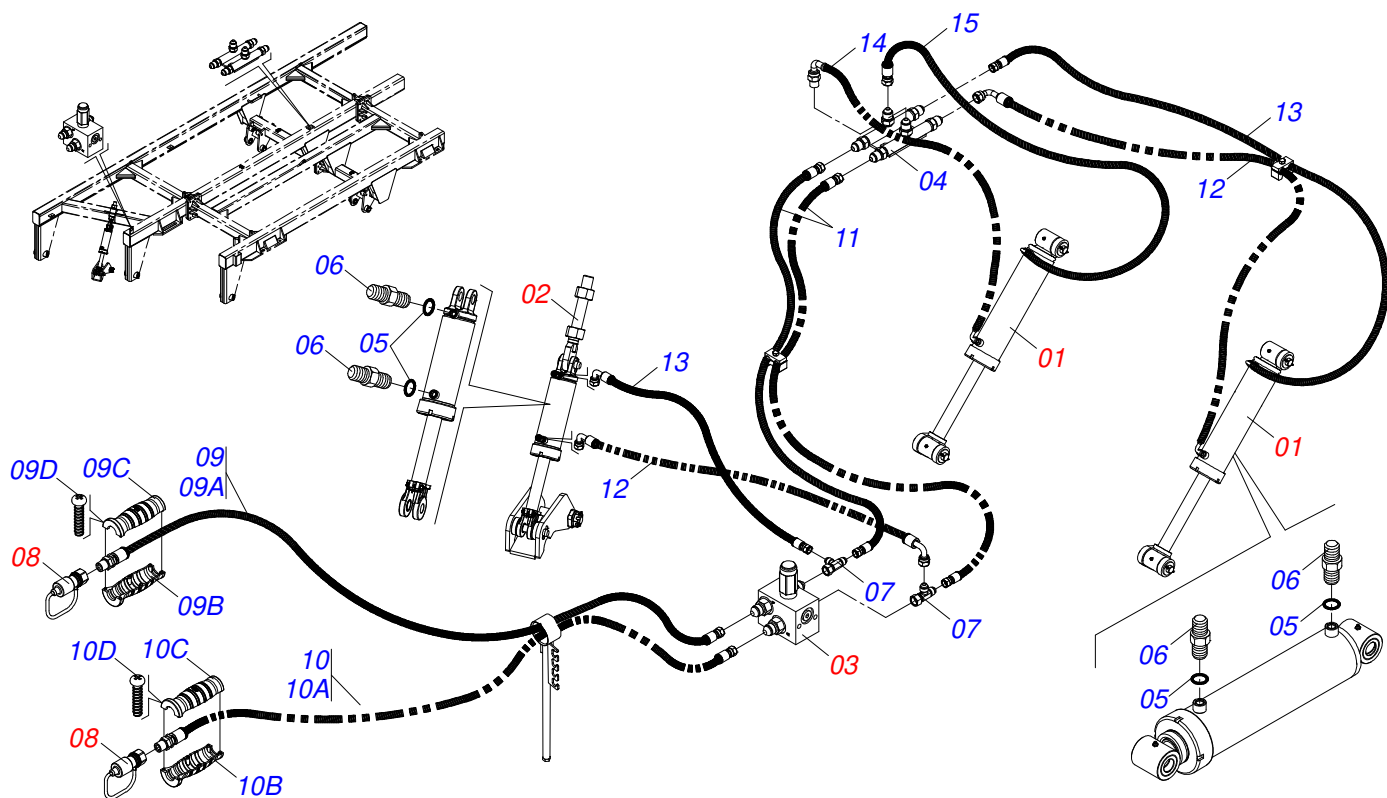
Item	Code	Description	See page	QT
01	0551011426	POINT AXIS R2.1/2UN		01
02	0561015521	FLANGE WHEEL HUB		05
03	0501110761	BOX WHEEL WITH BOLT 25-45FT		01
03A	0502012462	WHEEL HUB		01
03B	0503014050	BOLT M22 X 1,5 X 77/87 188RT		10
03C	0503014048	HEX NUT M22X1,5" CH32X33,5		10
04	0503010118	32218 BEARING		02
05	0531019986	64 X 110 X 9.5 FLAT WASHER		01
06	0502040080	FLANGE NUT R.2.1/2" UN		01
07	0503012213	1/4" X 4" SPLIT PIN		01
08	0503013548	JOINT CORK CR4F		01
09	0503013546	BOLT SX MA5,8 M10X1,5X20ZA DI		04
10	0503013542	M10 SPRING WASHER		04
11	0503013541	REAR RETAINER 0310-BG AR22 1G25356		01
12	0503013549	HUB COVER		01



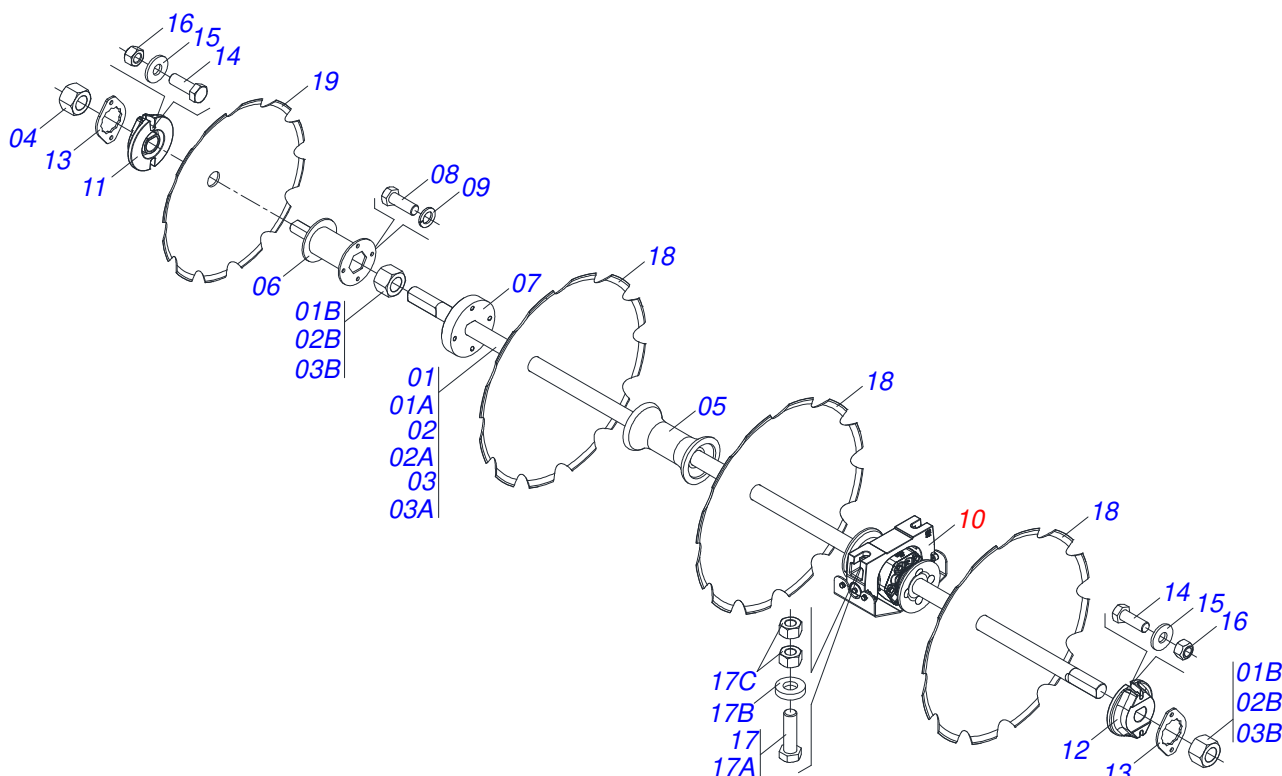
Item	Code	Description	See page	QT
01	0503015483	TIRE 600/50-22.5 TL T404 168A8		01
02	0503015989	FULL WHEEL		01
03	0503013999	VALVE 16MM AGR		01



Item	Code	Description	See page	QT
01	0503010919	DISCHARGE VALVE		01
02	0503010190	2-114 N 3006-9B O'RING		04
03	0501010617	NIPLE 3/4" NF X 3/4" NF HEX. 7/8" X 44		04



Item	Code	Description	See page	QT
01	0511058419	HYDRAULIC CYLINDER 50,80 X 101,60 X 514 X 206	6	01
02	0521051832	HYDRAULIC CYLINDER 53,98 X 114,30 X 654 X 346	10	02
03	0521052191	RELIEF VALVE	30	01
04	0501068706	DOUBLE CONNECTION		01
05	0503010190	2-114 N 3006-9B O'RING		06
06	0501010617	NIPLE 3/4" NF X 3/4" NF HEX. 7/8" X 44		04
07	0503011968	NUT 3/4" 8R6X-S T ADAPTER WITH SWIVEL		02
08	0501053834	MALE QUICK COUPLER	12	02
09	0521052495	3/8" X 216" TR-TM BLACK/RED HOSE		01
09A	0501080205	3/8" X 216" TR-TM HOSE		01
09B	0503034492	HYDRAULIC HOSE GRIP (BLACK)		01
09C	0503034495	HYDRAULIC HOSE GRIP (RED)		01
09D	0503018952	PH 2,5 X 10 ZB PLASTIC BOLT		06
10	0521052496	3/8" X 216" TR-TM BLACK/BLUE HOSE		01
10A	0501080205	3/8" X 216" TR-TM HOSE		01
10B	0503034492	HYDRAULIC HOSE GRIP (BLACK)		01
10C	0503034494	HYDRAULIC HOSE GRIP (BLUE)		01
10D	0503018952	PH 2,5 X 10 ZB PLASTIC BOLT		06
11	0501082183	HOSE 3/8 X 3900 TR-TR		02
12	0501080393	3/8" X 86" TC-TC HOSE		02
13	0501080461	3/8" X 70" TR-TC HOSE		02
14	0501080150	3/8 X 800 TR-TC HOSE		01
15	0501080599	3/8 X 650 TR-TC HOSE		01

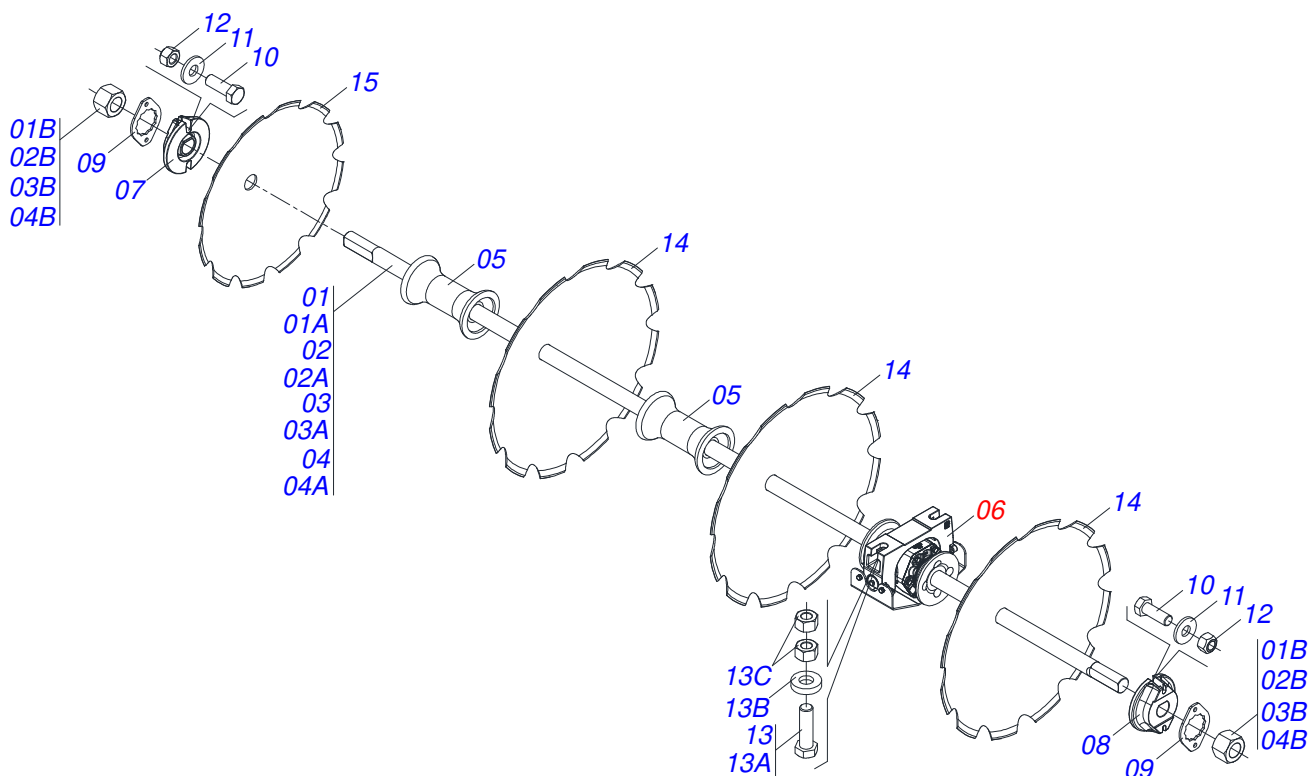


Item	Code	Description	See page	021	023	024	025	027
01	0511042484	2-1/2" X 78" AXLE WITH NUTS		001	003	004	003	001
01A	0541012129	2-1/2" X 78" AXLE		001	001	001	001	001
01B	0502040064	2.1/2" SNC X 70 99 NUT		002	002	002	002	002
02	0511042483	2-1/2" X 65" AXLE WITH NUTS		003	001	000	000	000
02A	0541012128	2-1/2" X 65" AXLE WITH NUTS		001	001	000	000	000
02B	0502040064	2.1/2" SNC X 70 99 NUT		002	002	000	000	000
03	0511042421	2-1/2" X 91.7" AXLE WITH NUTS		000	000	000	001	003
03A	0541011893	2-1/2" X 91.7" AXLE		000	000	000	001	001
03B	0502040064	2.1/2" SNC X 70 99 NUT		000	000	000	002	002
04	0502040064	2.1/2" SNC X 70 99 NUT		000	000	001	000	000
05	0502011425	13" X 2-1/2" SPACER		009	011	012	013	015
06	0521068366	SPACER FURROW FILLER FOR AXLE		000	000	001	000	000
07	0581016076	EXTERNAL LOCK AXIS		000	000	001	000	000
08	0501010098	BOLT 3/4" UNC X 2 C S G.5 ZN		000	000	004	000	000
09	0503010023	3/4" SPRING WASHER		000	000	004	000	000
10	0531041672	330 X 2.1/2 BEARING	35	008	008	008	008	008
11	0502010593	2.1/2" EXTERNAL AXLE WASHER		004	004	004	004	004
12	0502010592	2.1/2" INNER AXLE WASHER		004	004	004	004	004
13	0541010368	NUT LOCK		008	008	008	008	008
14	0503010232	5/8" X 1.3/4" BOLT		016	016	016	016	016
15	0501012140	FLAT WASHER 16,50 X 40 X 4,00 ZN		016	016	016	016	016
16	0503012412	5/8" UNC SELF LOCKING NUT		016	016	016	016	016
17	0531040741	1.1/4 UNC X 5 BOLT ASSY		016	016	016	016	016
17A	0503011347	1.1/4" X 5" BOLT		001	001	001	001	001
17B	0571010448	32,50 X 75 X 16 SLEEVE		001	001	001	001	001
17C	0501010087	1.1/4" NUT		002	002	002	002	002
18	0602044033	DR 32 X 9,00 C115AF04FR2.9/16 10R		020	022	000	024	026
18.	0602046001	DR 34 X 9,00 C120AF04FR2.9/16 12R		020	022	024	024	026
18..	0602048063	DR 36 X 9,00 C130AF04FR2.9/16 12R		020	022	000	024	026
19	0602037127	DR 28 X 9,00 C102AF04FR2.9/16 10R		001	001	000	001	001
19.	0602040108	DR 30 X 9,00 C105AF04FR2.9/16 10R		001	001	000	001	001
19..	0602044033	DR 32 X 9,00 C115AF04FR2.9/16 10R		001	001	000	001	001

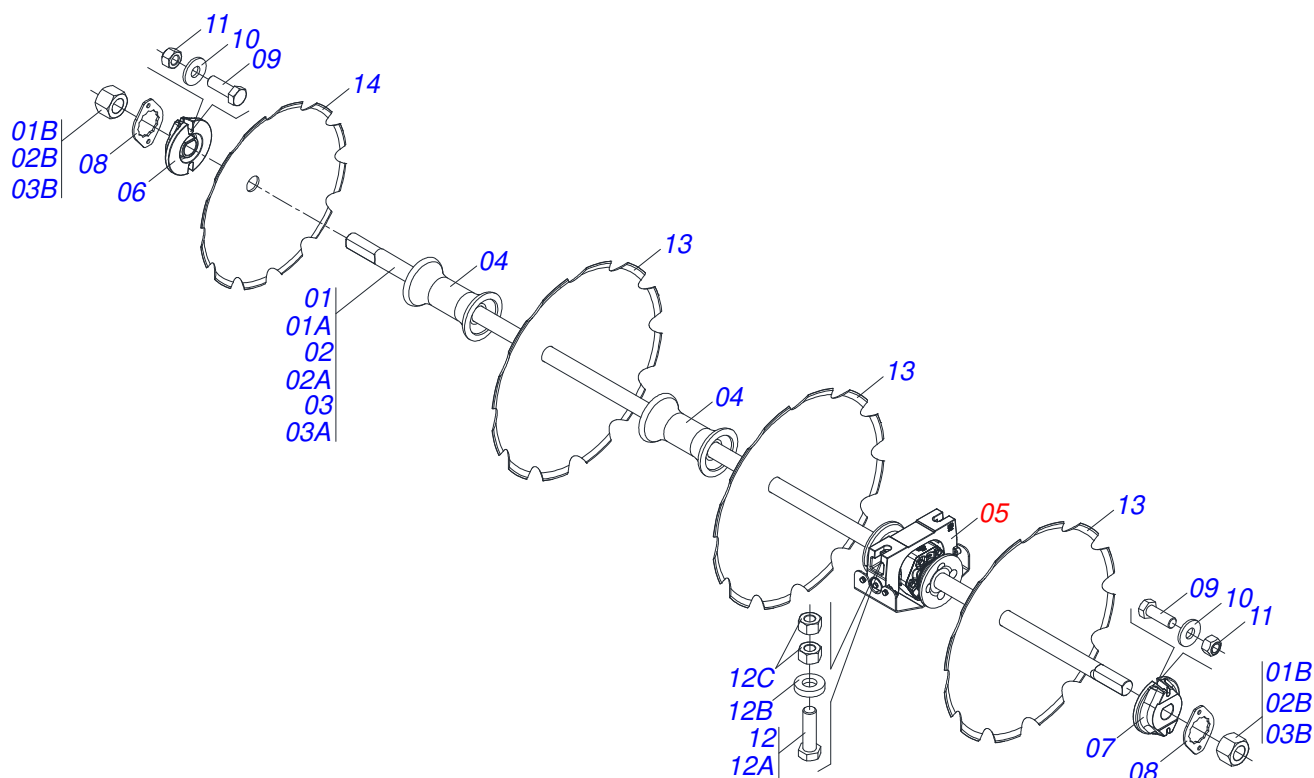




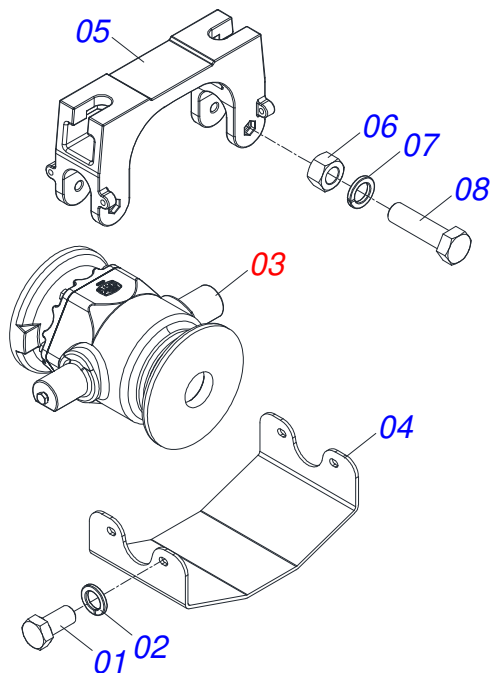
Item	Code	Description	See page	021	023	024	025	027
19...	0602040072	DR 30 X 9,00 C109AF04FR2.9/16 10R NICOL		000	000	001	000	000



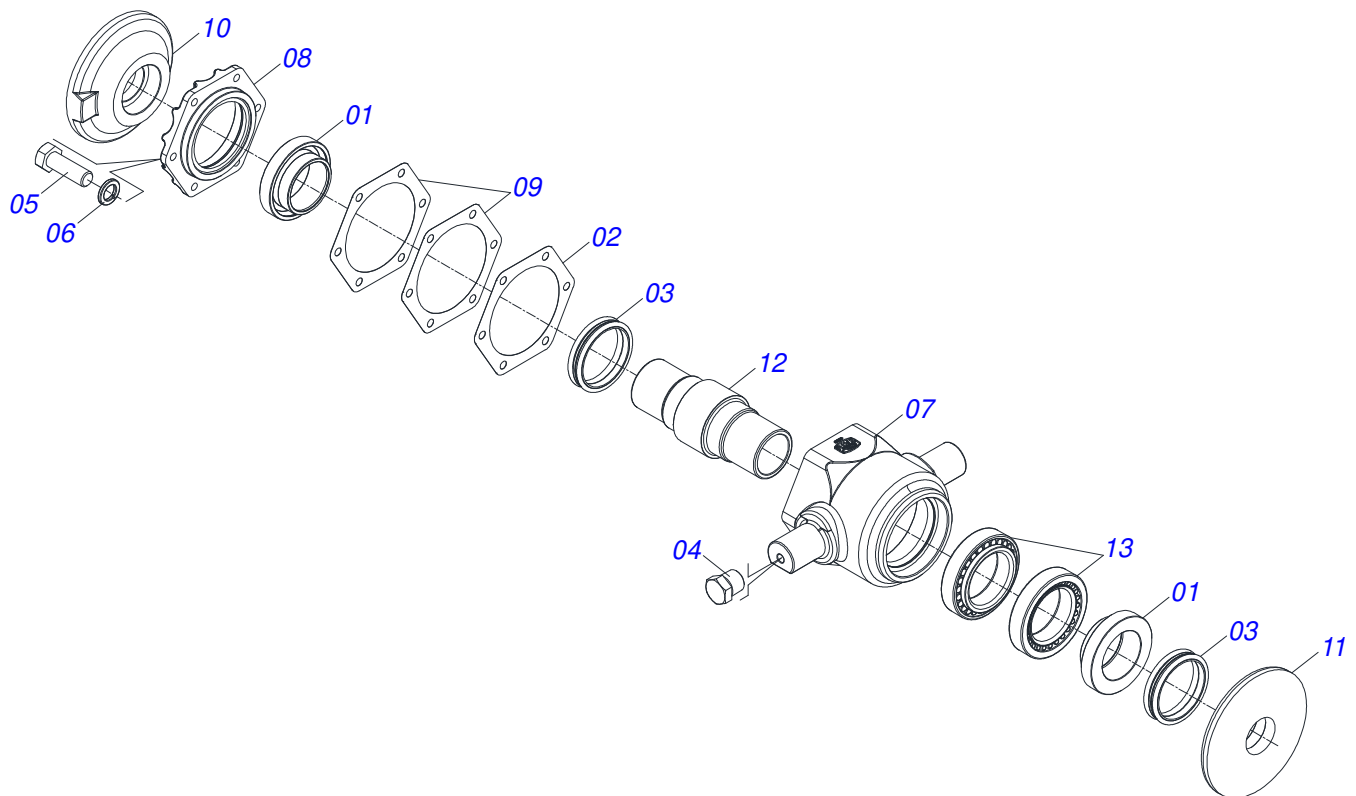
Item	Code	Description	See page	029	031	033	035	037
01	0511042484	2-1/2" X 78" AXLE WITH NUTS		000	000	000	000	005
01A	0541012129	2-1/2" X 78" AXLE		000	000	000	000	001
01B	0502040064	2.1/2" SNC X 70 99 NUT		000	000	000	000	002
02	0511042421	2-1/2" X 91.7" AXLE WITH NUTS		003	001	000	000	001
02A	0541011893	2-1/2" X 91.7" AXLE		001	001	000	000	001
02B	0502040064	2.1/2" SNC X 70 99 NUT		002	002	000	000	002
03	0511042422	2-1/2" X 104" AXLE WITH NUTS		001	003	003	001	000
03A	0541011894	2-1/2" X 105" AXLE		001	001	001	001	000
03B	0502040064	2.1/2" SNC X 70 99 NUT		002	002	002	002	000
04	0521040322	2-1/2" X 118" AXLE WITH NUTS		000	000	001	003	000
04A	0571010424	AXLE 2.1/2 X 2995		000	000	001	001	000
04B	0502040064	2.1/2" SNC X 70 99 NUT		000	000	002	002	000
05	0502011425	13" X 2-1/2" SPACER		017	019	021	023	019
06	0531041672	330 X 2.1/2 BEARING	35	008	008	008	008	012
07	0502010593	2.1/2" EXTERNAL AXLE WASHER		004	004	004	004	006
08	0502010592	2.1/2" INNER AXLE WASHER		004	004	004	004	006
09	0541010368	NUT LOCK		008	008	008	008	012
10	0503010232	5/8" X 1.3/4" BOLT		016	016	016	016	024
11	0501012140	FLAT WASHER 16,50 X 40 X 4,00 ZN		016	016	016	016	024
12	0503012412	5/8" UNC SELF LOCKING NUT		016	016	016	016	024
13	0531040741	1.1/4 UNC X 5 BOLT ASSY		016	016	016	016	024
13A	0503011347	1.1/4" X 5" BOLT		001	001	001	001	001
13B	0571010448	32,50 X 75 X 16 SLEEVE		001	001	001	001	001
13C	0501010087	1.1/4" NUT		002	002	002	002	002
14	0602044033	DR 32 X 9,00 C115AF04FR2.9/16 10R		028	030	032	034	036
14.	0602046001	DR 34 X 9,00 C120AF04FR2.9/16 12R		028	030	032	034	036
14..	0602048063	DR 36 X 9,00 C130AF04FR2.9/16 12R		028	030	032	034	036
15	0602037127	DR 28 X 9,00 C102AF04FR2.9/16 10R		001	001	001	001	001
15.	0602040108	DR 30 X 9,00 C105AF04FR2.9/16 10R		001	001	001	001	001
15..	0602044033	DR 32 X 9,00 C115AF04FR2.9/16 10R		001	001	001	001	001



Item	Code	Description	See page	039	041	045
01	0511042484	2-1/2" X 78" AXLE WITH NUTS		003	002	000
01A	0541012129	2-1/2" X 78" AXLE		001	001	000
01B	0502040064	2.1/2" SNC X 70 99 NUT		002	002	000
02	0511042421	2-1/2" X 91.7" AXLE WITH NUTS		003	003	003
02A	0541011893	2-1/2" X 91.7" AXLE		001	001	001
02B	0502040064	2.1/2" SNC X 70 99 NUT		002	002	002
03	0511042422	2-1/2" X 104" AXLE WITH NUTS		000	001	003
03A	0541011894	2-1/2" X 105" AXLE		000	001	001
03B	0502040064	2.1/2" SNC X 70 99 NUT		000	002	002
04	0502011425	13" X 2-1/2" SPACER		021	023	027
05	0531041672	330 X 2.1/2 BEARING	35	012	012	012
06	0502010593	2.1/2" EXTERNAL AXLE WASHER		006	006	006
07	0502010592	2.1/2" INNER AXLE WASHER		006	006	006
08	0541010368	NUT LOCK		012	012	012
09	0503010232	5/8" X 1.3/4" BOLT		024	024	024
10	0501012140	FLAT WASHER 16,50 X 40 X 4,00 ZN		024	024	024
11	0503012412	5/8" UNC SELF LOCKING NUT		024	024	024
12	0531040741	1.1/4 UNC X 5 BOLT ASSY		024	024	024
12A	0503011347	1.1/4" X 5" BOLT		001	001	001
12B	0571010448	32,50 X 75 X 16 SLEEVE		001	001	001
12C	0501010087	1.1/4" NUT		002	002	002
13	0602044033	DR 32 X 9,00 C115AF04FR2.9/16 10R		038	040	044
13.	0602046001	DR 34 X 9,00 C120AF04FR2.9/16 12R		038	040	044
13..	0602048063	DR 36 X 9,00 C130AF04FR2.9/16 12R		038	040	044
14	0602037127	DR 28 X 9,00 C102AF04FR2.9/16 10R		001	001	001
14.	0602040108	DR 30 X 9,00 C105AF04FR2.9/16 10R		001	001	001
14..	0602044033	DR 32 X 9,00 C115AF04FR2.9/16 10R		001	001	001



Item	Code	Description	See page	QT
01	0503010834	1/2 X 1 BOLT		04
02	0503010019	1/2" SPRING WASHER		04
03	0531053201	BEARING	36	01
04	0591011532	OSCILLATING BEARING COVER		01
05	0502013022	CENTRAL OSCILLATING BEARING SUPPORT		01
06	0503010013	5/8 UNC G.5 ZN HEX NUT		02
07	0503010027	5/8 SPRING WASHER		02
08	0503010480	5/8" X 4.3/4" BOLT		02



Item	Code	Description	See page	QT
01	0502040119	SEAL RETAINER		02
02	0503035599	205 X 160,5 X 0,20 SEAL GASKET		01
03	0503030029	RETAINER LP JB-259		02
04	0503010856	OIL PLUG R 3/8 BSPT		02
05	0503010920	1/2 UNC X 1.1/2 C S G.5 ZN BOLT		06
06	0503011440	SPRING WASHER		06
07	0502013021	BEARING BOX		01
08	0502013005	BEARING HUB LID		01
09	0503035600	205 X 160,5 X 0,40 SEAL GASKET		02
10	0502012239	BEARING OUTER FLANGE		01
11	0502012238	BEARING INNER FLANGE		01
12	0502040204	AXLE		01
13	0503010482	594A/592A ROLLER BEARING		02



# ANNOTATION



---

---

---

---

---

---

---

---

---

---

---

---

---

---

---

---

---

---

---

---

---

---

---

---

---

---

---

---

---

---





**MARCHESAN**

**Technical Publications | Elaboration and Revision**

LEONARDO JOSÉ DA SILVA SOUZA

[www.marchesan.com.br](http://www.marchesan.com.br)

