

OFFSET DISK HARROW

**GAPCR-HD 8013 MECHANICAL ARTICULATED –
45/49D**

GAPCR-HD 8013 ARTICULADA MECANICA – 45/49D

Code: 0501093754

Series: S-1123

Revision: 00

Revision Date: APRIL/2024

PARTS CATALOGUE



MARCHESAN



PRODUCTS

Code	Working Width	Description
0102060597		GAPCR-HD 8013 45X36X9 DR DMO ESPECIAL M FOLD S1123
0102060602		GAPCR-HD 8013 45X36X9 DR DMO USA ESP M FOLD S1123
0102060596		GAPCR-HD 8013 49X36X9 DR DMO C/ET S/P M FOLD S1123
0102060598		GAPCR-HD 8013 49X36X9 DR DMO ESPECIAL M FOLD S1123
0102060604		GAPCR-HD 8013 49X36X9 DR DMO M FOLD E 2.1/2 ESP
0102060480		GAPCR-HD8013 45X32X9 DR DMO E 2.1/2 M F ESP S-1123
0102060482		GAPCR-HD8013 45X36X9 DR DMO E 2.1/2 M F ESP S-1123

ATTENTION: IMPORTANT

Marchesan S.A. reserves the right to improve and/or modify the technical features of its products, without obligation to do the same with those products already sold and without prior knowledge of the dealer or the customer. The photos are only illustrative.

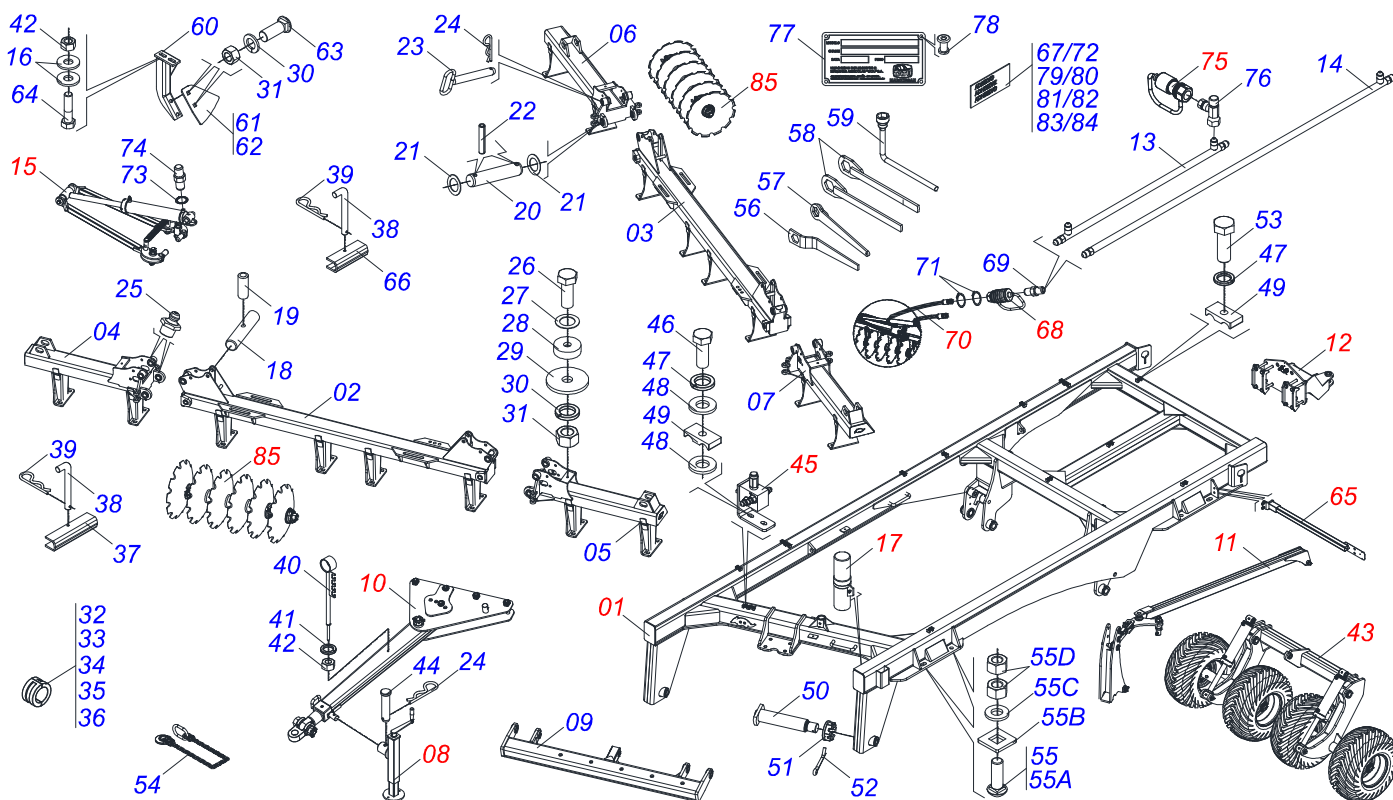


MARCHESAN

INDEX

0909097186	FRAME ASSY	1
0511048088	DRAWBAR JACK	2
0521041823	TRACTION BAR ASSY (PIN 3")	3
0531040171	HITCH ASSY	4
0909097189	HEAD ARTICULATED ASSY	5
0511059199	STABILIZER BAR REGULATOR EXTENSOR	6
0909097187	REAR COUPLING KIT	7
0501053835	FEMALE QUICK COUPLER	8
0909097190	ARTICULATION ASSY	9
0511050181	COMPLETE FRONT LEFT REAR RIGHT ARTICULATION	10
0511050182	ARTICULACION FRONT RIGHT REAR LEFT COMPLETE	11
0511059197	3" X 4" X 42" X 28" HYDRAULIC CYLINDER	12
0521052000	ASSY PORT MANUAL INSTRUCCION	13
0909097191	CARRYING-WHEEL ASSY	14
0909097192	CARRYING-WHEEL ASSY	15
0521051832	HYDRAULIC CYLINDER 53,98 X 114,30 X 654 X 346	16
0501056467	WHEEL WITHOUT TIRE	17
0531051143	WHEEL WITHOUT TIRE 11.25INX8.62INX10F (HOLE 50)	18
0501111042	WHEEL CASE WITH SCREW	19
0521058003	2" X 5" X 25" X 13" HIDRAULIC CYLINDER	20
0511059196	VALVE ASSY	21
0909097193	LANTERN FIXING ASSY	22
0521051976	HOSE ASSY	23
0501053834	MALE QUICK COUPLER	24
0909097188	DISC GANG ASSY	25
0531041672	330 X 2.1/2 BEARING	26
0531053201	BEARING	27

FRAME ASSY



Item	Code	Description	See page	45D	49D
01	0521068243	FRAME		001	000
01.	0531060847	FRAME		000	001
02	0521068245	FRONT FRAME		001	000
02.	0531060851	FRONT FRAME		000	001
03	0521068251	REAR FRAME		001	000
03.	0531060850	REAR FRAME		000	001
04	0521068252	RIGHT SIDE FRONT FRAME		001	000
04.	0531060852	RIGHT SIDE FRONT FRAME		000	001
05	0521068253	LEFT SIDE FRONT FRAME		001	000
05.	0531060854	LEFT SIDE FRONT FRAME		000	001
06	0521068254	RIGHT SIDE REAR FRAME		001	000
06.	0531060856	RIGHT SIDE REAR FRAME		000	001
07	0521068255	LEFT SIDE REAR FRAME		001	000
07.	0531060858	REAR FRAME		000	001
08	0511048088	DRAWBAR JACK	2	001	001
09	0521068250	HITCH BAR		001	001
10	0521041823	TRACTION BAR ASSY (PIN 3")	3	001	001
11		HEAD ARTICULATED ASSY	5		
12		REAR COUPLING KIT	7		
13	0521066126	DISTRIBUTOR OIL TUBE		002	002
14	0521066937	OIL DISTRIBUTOR DUCT		002	002
15		ARTICULATION ASSY	9		
16	0541010763	FLAT WASHER		196	180
17	0521052000	ASSY PORT MANUAL INSTRUCCION	13	001	001
18	0541016676	1.1/2 X 175 AXLE		004	004
19	0503013662	1/2" X 1" BOLT		004	004
20	0581015612	JUNCTION SHAFT 50,90 X 452		004	004
21	0511019776	FLAT WASHER		008	008
22	0503011069	0.4" X 2.8" SPRING PIN		008	008
23	0521068256	AXIS BLOCAGE 25,40 X 285		004	004
24	0503030012	HITCH PIN CLIP		005	005
25	0503010002	1800 GREASE FITTING		027	027



FRAME ASSY

0909097186

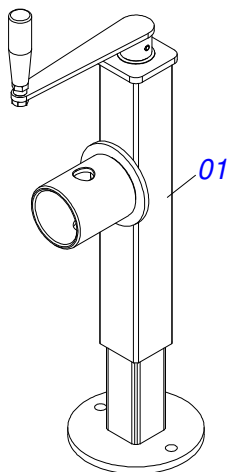
Item	Code	Description	See page	45D	49D
26	0503010233	5/8" X 2-1/2" BOLT		004	004
27	0571010265	16.5 X 40 X 3 FLAT WASHER		004	004
28	0581011153	FRAME BEATER		004	004
29	0571013284	17.5 X 90 X 4.75 FLAT WASHER		006	006
30	0503010027	5/8 SPRING WASHER		094	098
31	0503010013	5/8 UNC G.5 ZN HEX NUT		094	098
32	0501047895	25 ROD STOP		004	004
33	0501047885	30 ROD STOP		002	002
34	0501047886	35 ROD STOP		002	002
35	0501047887	40 ROD STOP		002	002
36	0501047888	45 ROD STOP		002	002
37	0561016693	TRANSPORT LOCK		002	002
38	0541016844	FIXER LOCK		002	002
39	0503030285	HITCH PIN CLIP		002	002
40	0531061120	HOSE SUPPORT		001	001
41	0503010023	3/4" SPRING WASHER		001	001
42	0503010014	3/4" ZN G.5 (HEAVY) UNC HEX NUT		097	104
43		CARRYING-WHEEL ASSY	14		
43.		CARRYING-WHEEL ASSY	15		
44	0561014251	COUPLING SHAFT		001	001
45	0511059196	VALVE ASSY	21	001	001
46	0503011173	7/16" X 2" BOLT		004	004
47	0503010180	7/16" SPRING WASHER		004	004
48	0501012803	FLAT WASHER 12 X 30 X 3,00 ZN		004	004
49	0502010477	HOSE CLAMP		018	018
50	0521063989	50,8 X 380 AXLE WITH LOCK		002	002
51	0501011301	1.1/2" UNC 6FPP 2.5/16" NUT		002	002
52	0503010010	SPLIT PIN 1/4" X 2.1/2"		002	002
53	0503011135	BOLT 7/16" UNC X 1.1/2" C S G.5 ZN		012	012
54	0503013150	1300 X 3/8" CHAIN		001	000
54.	0503019848	SAFETY CHAIN		000	001
55	0521040349	1-1/4" X 5.3/4" BOLT		008	008
55A	0501010954	1.1/4" X 5.3/4" BOLT		001	001
55B	0571010449	LOCK BOLT		001	001
55C	0571010448	32,50 X 75 X 16 SLEEVE		001	001
55D	0501010087	1.1/4" NUT		002	002
56	0501011432	1-1/2" AND 1-5/8 GANG BOLT WRENCH		001	001
57	0521062858	1.1/4" WRENCH NUT		001	001
58	0501316941	KEY 2.1/8 AND 2.1/2		002	002
59	0503016137	1-1/4" WRENCH CABLE CYLINDER		001	001
60	0511064771	FRONT SCRAPER SUPPORT		025	022
61	0521013678	FRONT CLEANER		011	012
62	0521013679	REAR CLEANER		011	013
63	0503012195	5/8" NUT		090	098
64	0501010500	3/4" X 3" BOLT		090	090
65		LANTERN FIXING ASSY	22		
66	0551019515	LATCH SHIPPING		001	001
67	0503033428	TATU LOGO DECAL		001	001
68	0501053835	FEMALE QUICK COUPLER	8	002	002
69	0571015342	3/4" NIPLE		002	002
70	0521051976	HOSE ASSY	23	001	001
71	0503010217	501040 CLAMPING RING (FOR AXLE)		004	004
72	0503031739	DANGER DECAL		001	001
73	0503010190	2-114 N 3006-9B O'RING		008	008
74	0501010617	NIPLE 3/4" NF X 3/4" NF HEX. 7/8" X 44		008	008
75	0501053834	MALE QUICK COUPLER	24	006	006
76	0503011968	NUT 3/4" 8R6X-S T ADAPTER WITH SWIVEL		004	004
77	0503034003	61 X 118 SERIAL NUMBER TAG		001	001
78	0503010001	RIVET 3,2 X 5,5		004	004
79	0503031428	ATTENTION READ MANUAL DECAL		001	001
80	0503031738	WARNING DECAL		001	001



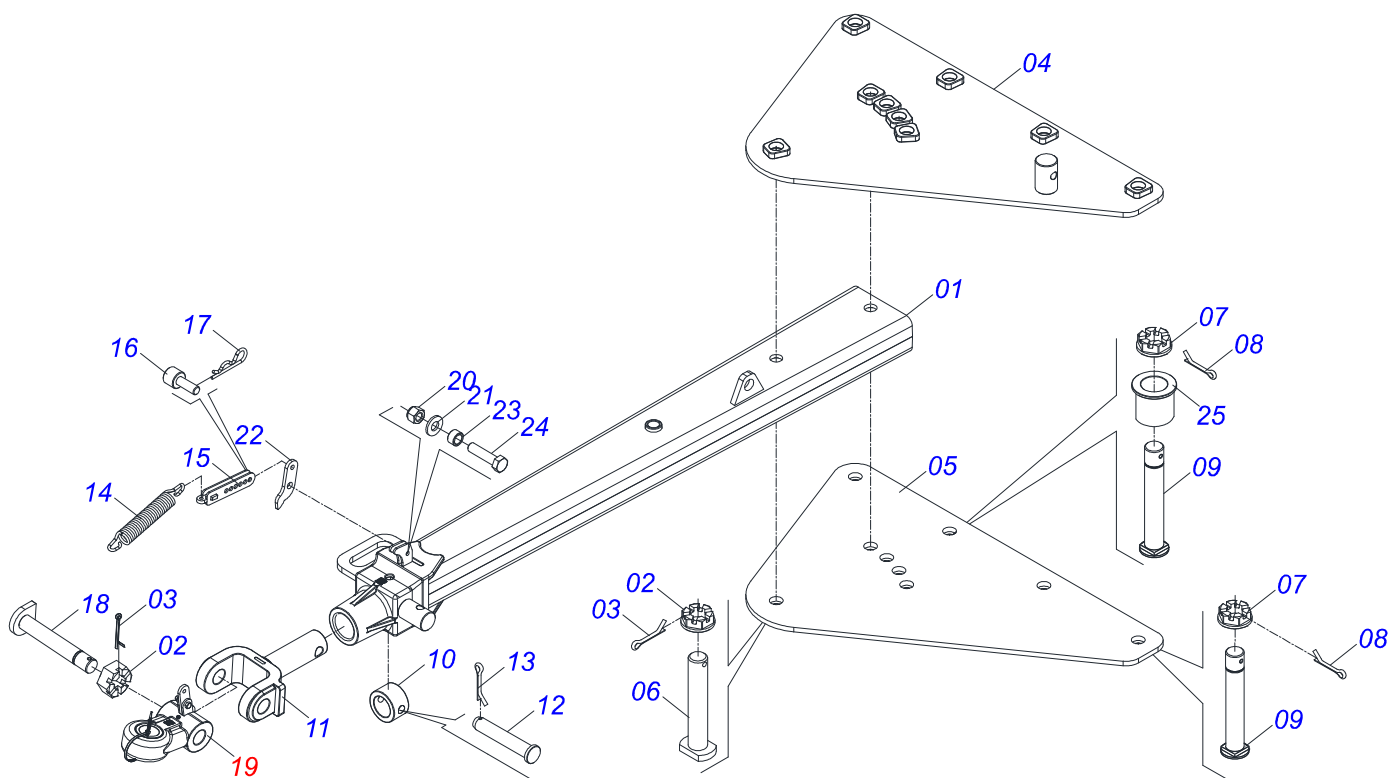
FRAME ASSY

0909097186

Item	Code	Description	See page	45D	49D
81	0503031087	AUTO CONTROL APPROVED DECAL		001	001
82	0503031827	DAILY LUBRICATION AND RETIGHTENING DECAL		001	001
83	0503031896	DANGER DECAL		001	001
84	0503034064	ADHESIVE		002	002
85		DISC GANG ASSY	25		

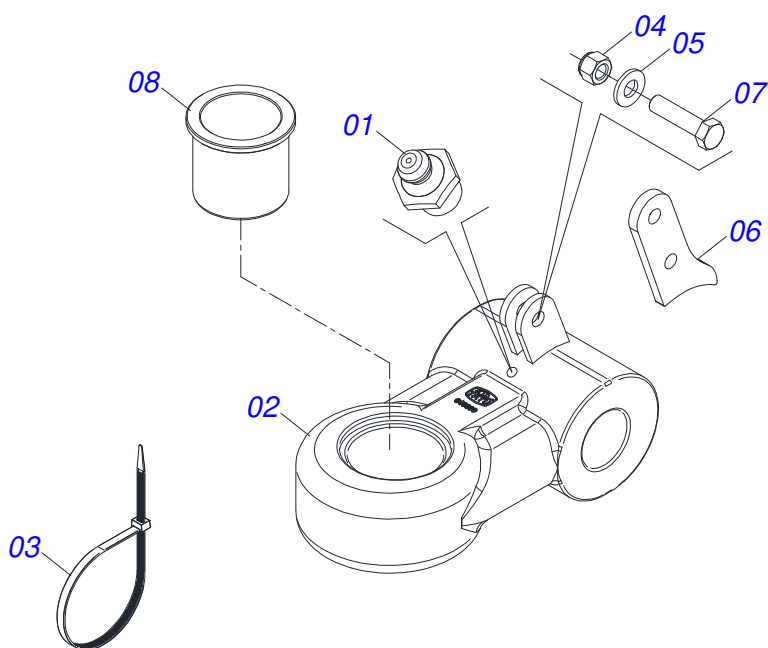


Item	Code	Description	See page	QT
01	0503062227	DRAWBAR JACK		01



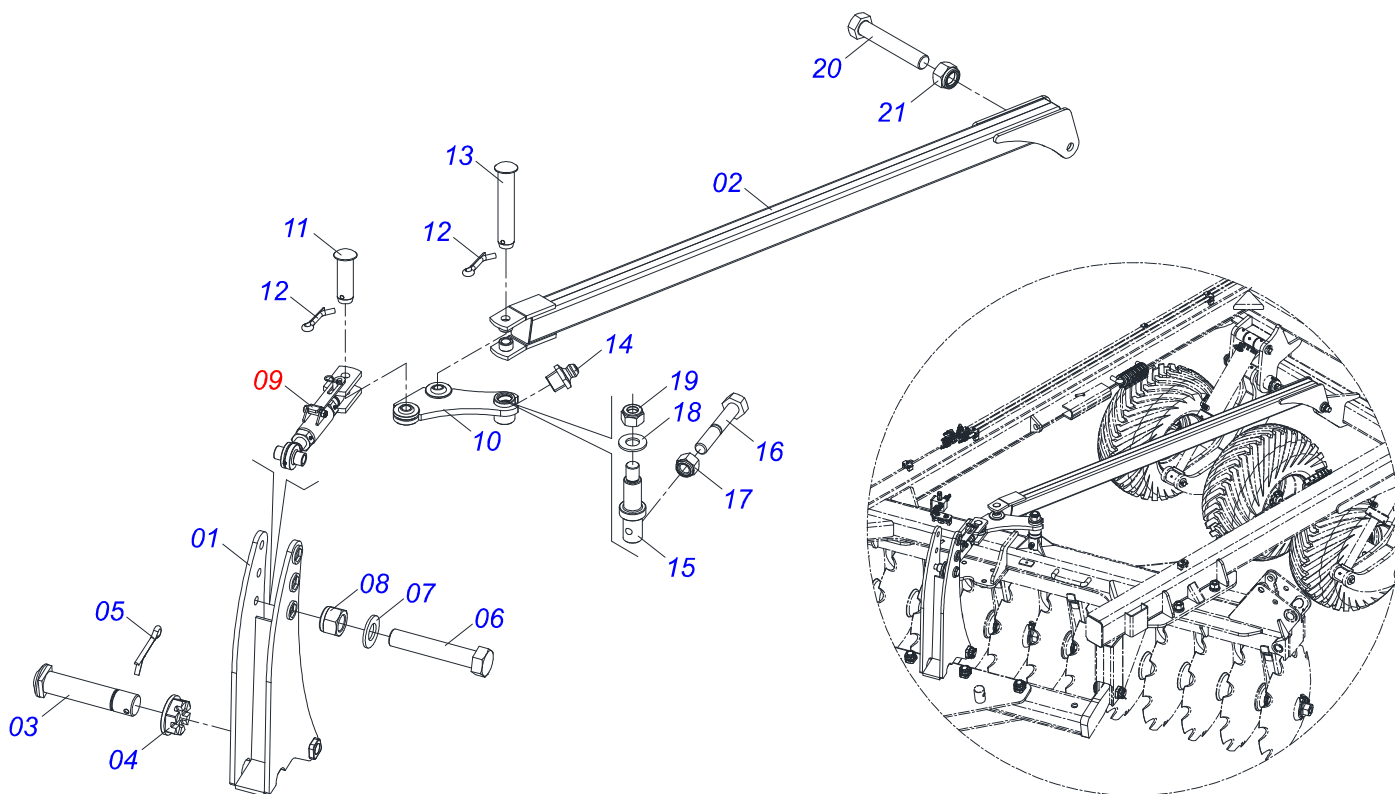
Item	Code	Description	See page	QT
01	0521068249	TRACTION BAR (AXLE 2)		01
02	0502040558	2" CASTLE NUT		02
03	0503010074	3/8" X 4" SPLIT PIN		02
04	0521068246	UPPER PLATE (AXLE 2)		01
05	0521068247	LOWER PLATE (AXLE 2)		01
06	0521068248	JUNCTION AXLE WITH LOCK		01
07	0501811301	CASTLE NUT		05
08	0503010010	SPLIT PIN 1/4" X 2.1/2"		05
09	0521811880	37,50 X 230 X PQ R.1./2 JUNCTION AXLE		05
10	0502040263	HITCH LOCK RING		01
11	1902040897	TRACTOR HITCH		01
12	0561017306	COUPLING SHAFT		01
13	0503010523	1/4" X 2" SPLIT PIN		01
14	0503031741	1.8" X 11.4" 0.3" TRACTION SPRING		01
15	0531061607	SPRING REGULATOR		01
16	0591014558	SPRING REGULATOR FIXER AXLE		01
17	0503030285	HITCH PIN CLIP		01
18	0531061122	AXIS ARTICULATOR		01
19	0531040171	HITCH ASSY	4	01
20	0503010589	1/2" UNC SELF ADJUSTING NUT		01
21	0501010937	13,50 X 28 X 3,00 FLAT WASHER		01
22	0591014554	REAR SUPPORT FIXING SPRING		01
23	0591014552	SLEEVE		01
24	0503010740	BOLT 1/2 UNC X 2 CS G.5 ZN		01
25	0591013086	SLEEVE 52,8 X 78 X 76 (PIN 2")		01

HITCH ASSY

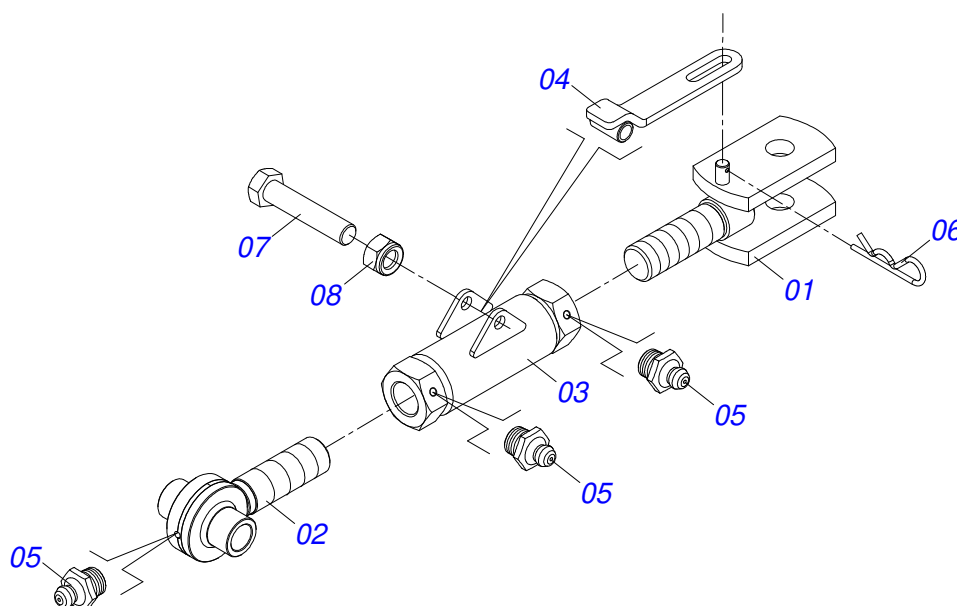


Item	Code	Description	See page	QT
01	0503010002	1800 GREASE FITTING		01
02	0531061121	HITCH		01
03	0503018829	NYLON CLAMP 7,8 X 1,8 X 390 MM		01
04	0503010589	1/2" UNC SELF ADJUSTING NUT		01
05	0501010937	13,50 X 28 X 3,00 FLAT WASHER		01
06	0591014555	FRONT SUPPORT FIXING SPRING		01
07	0503010740	BOLT 1/2 UNC X 2 CS G.5 ZN		01
08	0591013448	SLEEVE 65,50 X 78 X 76 (PIN 2.1/2")		01

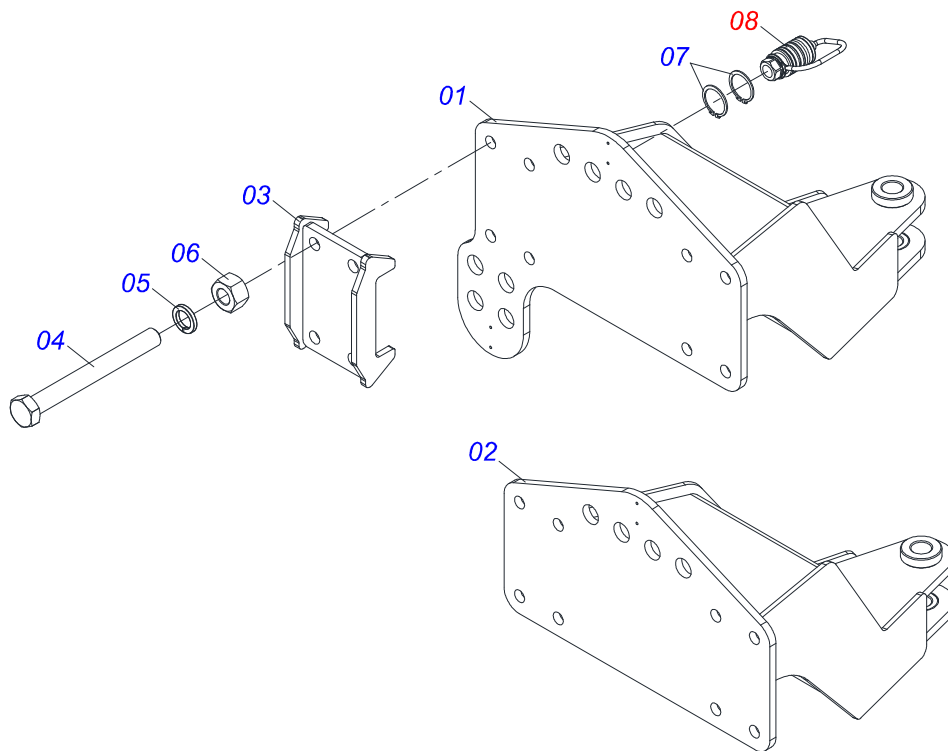
HEAD ARTICULATED ASSY



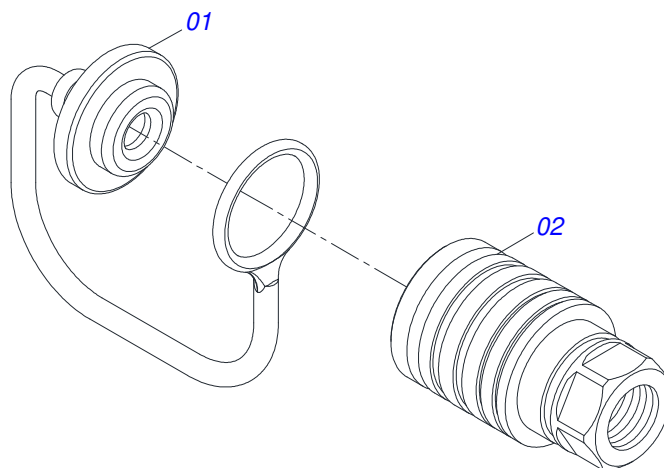
Item	Code	Description	See page	QT
01	0521066758	DRAWBAR ARTICULATOR		01
02	0521066759	STABILIZER BAR		01
03	0521012053	1.5" X 8.6" AXLE		01
04	0501011301	1.1/2" UNC 6FPP 2.5/16" NUT		01
05	0503010010	SPLIT PIN 1/4" X 2.1/2"		01
06	0521017351	1-1/4" X 8" BOLT		01
07	0501017779	FLAT WASHER 32 X 60 X 4,75		01
08	0503010817	1.1/4" SELF LOCKING NUT		01
09	0511059199	STABILIZER BAR REGULATOR EXTENSOR	6	01
10	0521066960	STABILIZER BAR ARTICULATOR		01
11	0521010780	1.2" X 4.5" COUPLING SHAFT		01
12	0503010523	1/4" X 2" SPLIT PIN		02
13	0581811919	AXIS JUNCTION		01
14	0503010002	1800 GREASE FITTING		01
15	0581011775	STABILIZER BAR ARTICULATING PIVOT AXLE		01
16	0501010216	3/4 UNC X 4.1/2 C S G.5 ZN BOLT		01
17	0503011075	3/4 UNC LOCK NUT		01
18	0501010287	FLAT WASHER		01
19	0503010290	SELF ADJUSTING 1.1/2" UNF NUT		01
20	0503013321	SCREW 1.1/4 UNF X 7 C S G.8 ZN		01
21	0503010817	1.1/4" SELF LOCKING NUT		01



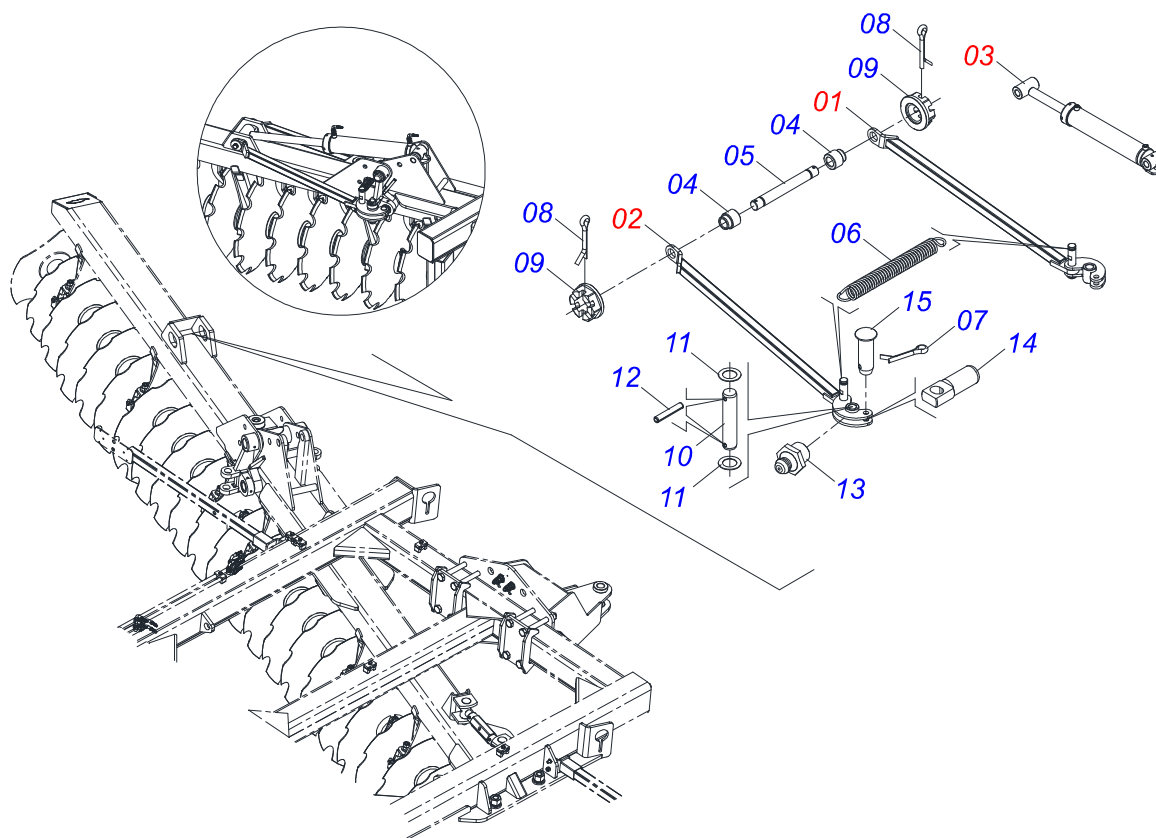
Item	Code	Description	See page	QT
01	0521066962	EXTENSION PIN C/O. R.1.3/4 LEFT		01
02	0521066965	JACK CRANK NUT FIXER R.1.3/4 UNC DIREITO		01
03	0521066963	ADJUSTMENT NUT R.1.3/4 UNC (245)		01
04	0521066964	STABILIZER TENSOR REGULATOR LEVER		01
05	0503010002	1800 GREASE FITTING		03
06	0503030285	HITCH PIN CLIP		01
07	0503010806	5/8" X 3" BOLT		01
08	0503010878	5/8" SELF ALIGNING NUT		01



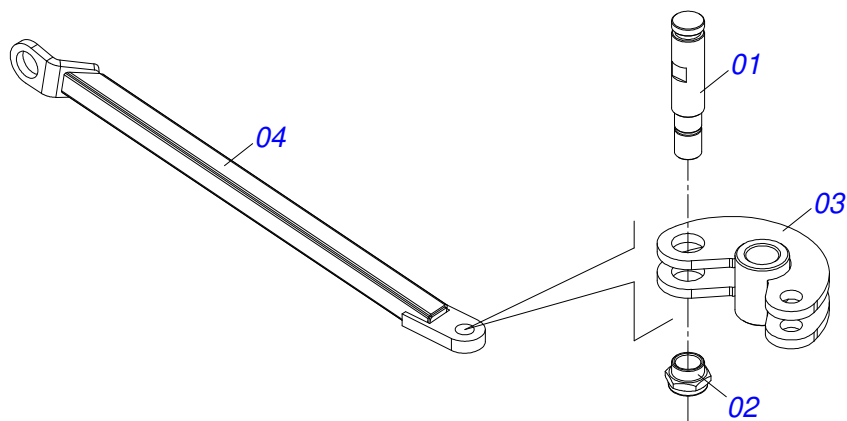
Item	Code	Description	See page	45D	49D
01	0521065966	REAR HITCH		01	00
02	0531060844	260 REAR HITCH		00	01
03	0521065965	FIXER CLAW		02	00
03.	0531060843	FIXER CLAW		00	02
04	0501010064	BOLT 1" UNC X 9 CS G.5 ZN		08	08
05	0503010012	1" SPRING WASHER		08	08
06	0501010059	1.5/8 NUT		08	08
07	0503010217	501040 CLAMPING RING (FOR AXLE)		04	04
08	0501053835	FEMALE QUICK COUPLER	8	02	02



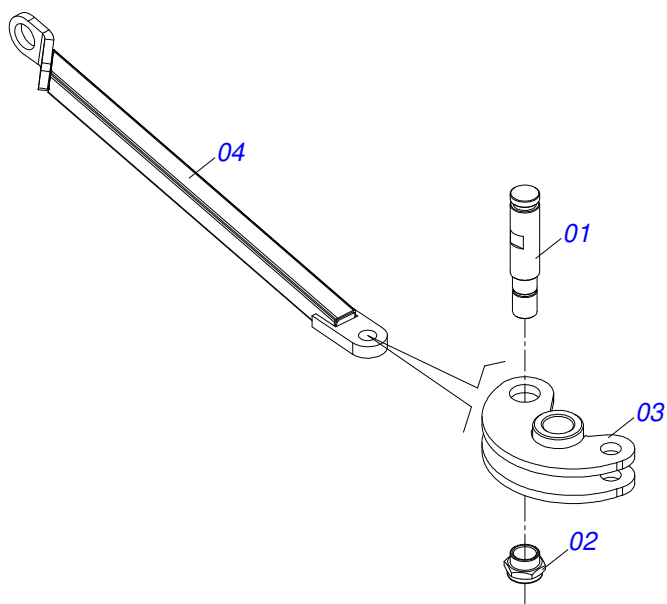
Item	Code	Description	See page	QT
01	0503011883	PLASTIC COVER		01
02	0503011628	FEMALE QUICK COUPLER		01



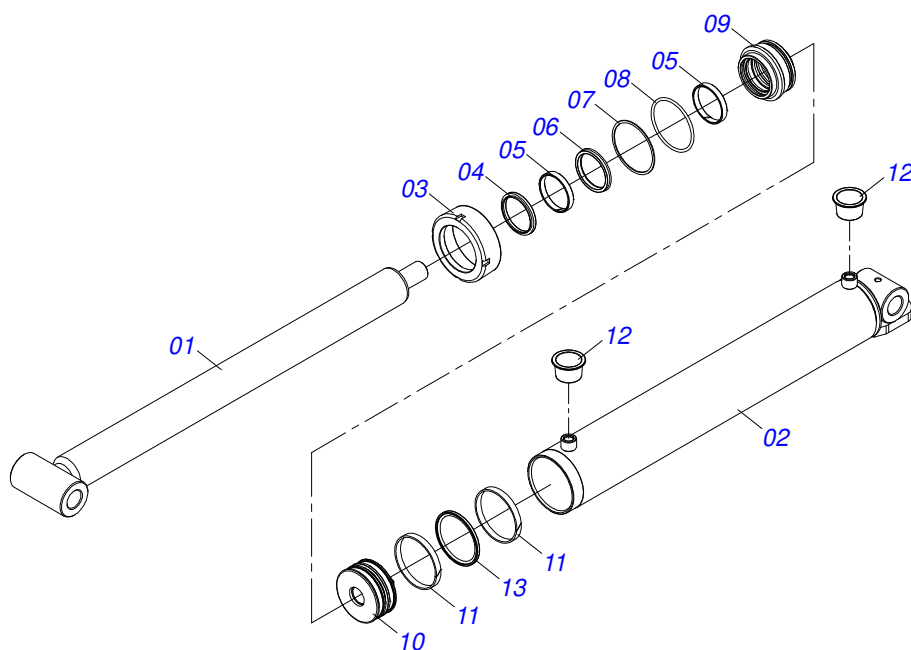
Item	Code	Description	See page	QT
01	0511050181	COMPLETE FRONT LEFT REAR RIGHT ARTICULATION	10	04
02	0511050182	ARTICULACION FRONT RIGHT REAR LEFT COMPLETE	11	04
03	0511059197	3" X 4" X 42" X 28" HYDRAULIC CYLINDER	12	04
04	0541016614	38,20 X 62 X 61 SLEEVE		08
05	0501210091	ARTICULATOR PIVOT AXIS		04
06	0503034605	SPRING TRACTION 50,70 X 411 X 6,35		04
07	0503010571	1/4" X 1.1/2" SPLIT PIN		08
08	0503010010	SPLIT PIN 1/4" X 2.1/2"		08
09	0501011301	1.1/2" UNC 6FPP 2.5/16" NUT		08
10	0541016677	37,20 X 177 COUPLING SHAFT		08
11	0511019685	FLAT WASHER		16
12	0503010361	SPRING PIN		16
13	0503010002	1800 GREASE FITTING		02
14	0561013283	LOCK AXLE FRAME		08
15	0521010572	0.9" X 2.9" COUPLING SHAFT		08



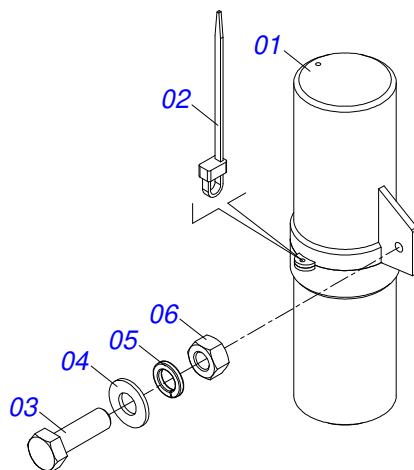
Item	Code	Description	See page	QT
01	0561014074	LOCK AXLE		01
02	0541019258	1.1/4 ADJUSTING NUT		01
03	0521060779	LOCK PIN		01
04	0521060770	FRONT ARTICULACION ARM		01



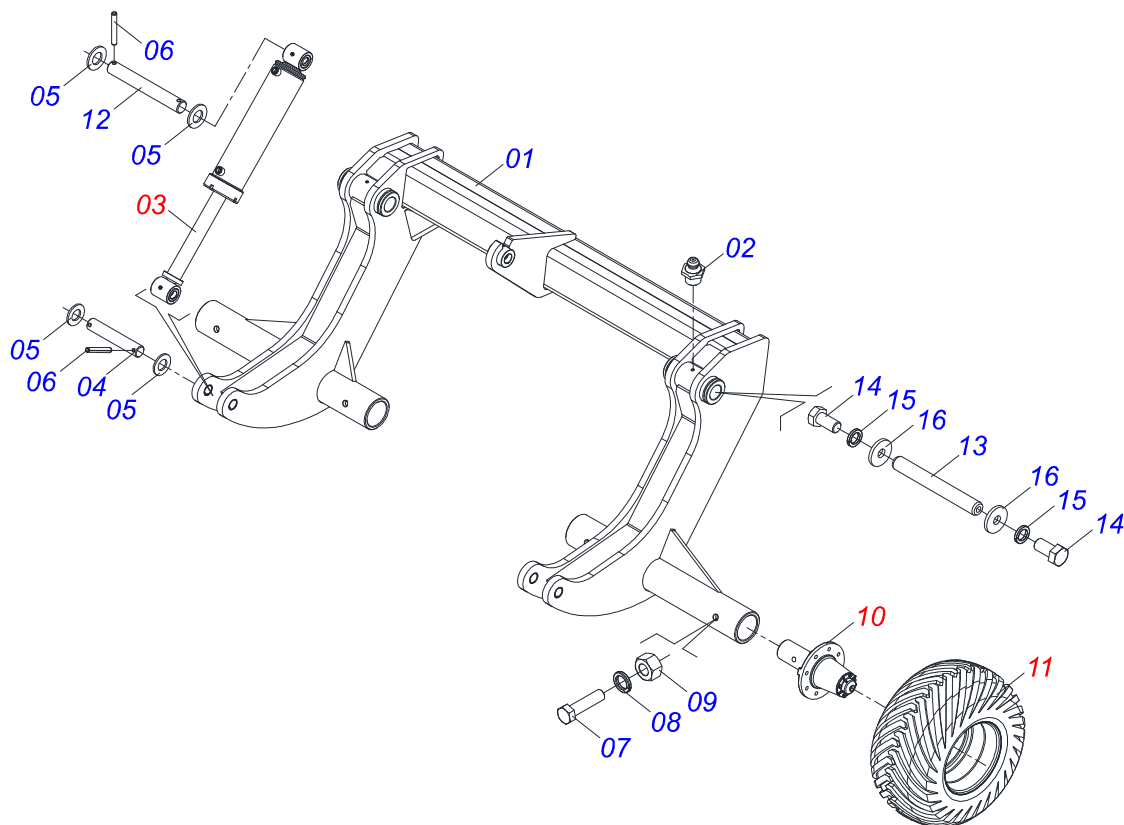
Item	Code	Description	See page	QT
01	0561014074	LOCK AXLE		01
02	0541019258	1.1/4 ADJUSTING NUT		01
03	0521060779	LOCK PIN		01
04	0521060771	ARTICULATION ARM ASSY		01



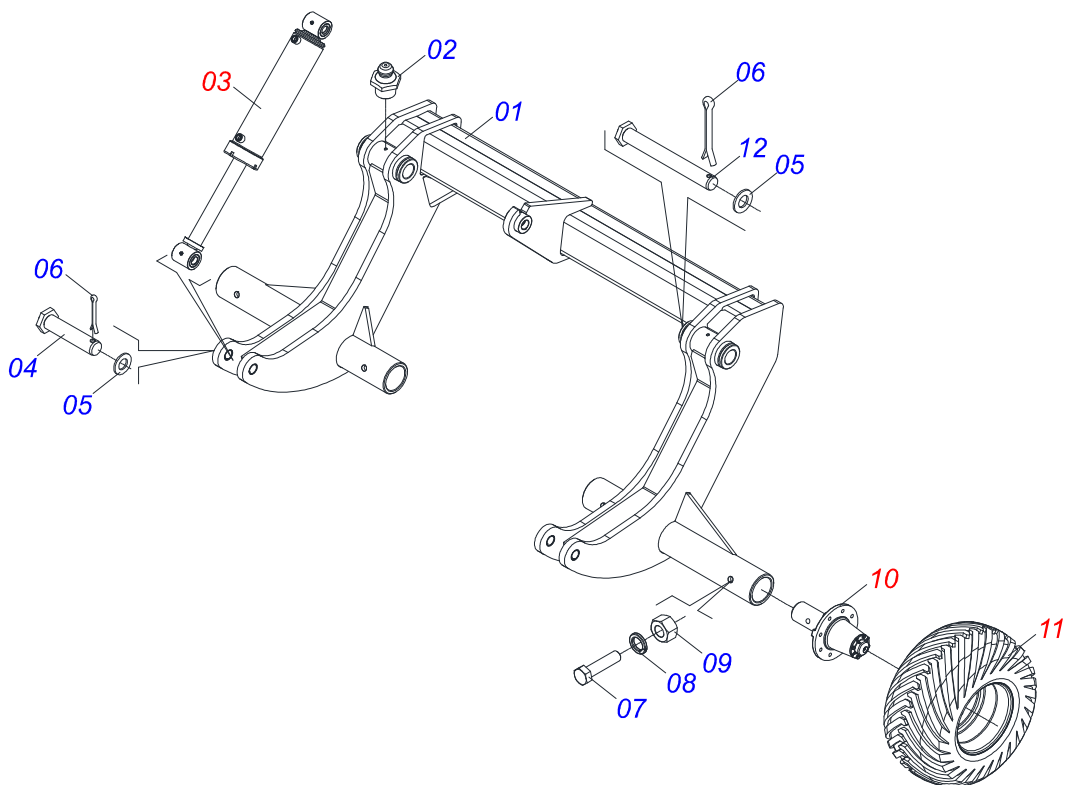
Item	Code	Description	See page	QT
01	0521060777	76,20 X 1020,50 TURNBUCKLE		01
02	0521067412	SHIRT 114.30 X 897.50 WITH BEATER		01
03	0502012629	MOBILE COVER 114,30 (E. 76,20)		01
04	0503012642	D-3000 SCRAPER RING		01
05	0503013553	SEAL RING		02
06	0503013552	GASKET		01
07	0503011893	BACK-UP RING, 8-346		01
08	0503011892	O' RING, 2-346 N 3006-9B		01
09	0502012628	76,30 X 114,20 RING SUPPORT		01
10	0502012477	114,30 PISTON		01
11	0503011891	W2-4500-500 RING G.E		02
12	0503030384	PLUG N-001		02
13	0503014692	OE 114,3 GASKET		01



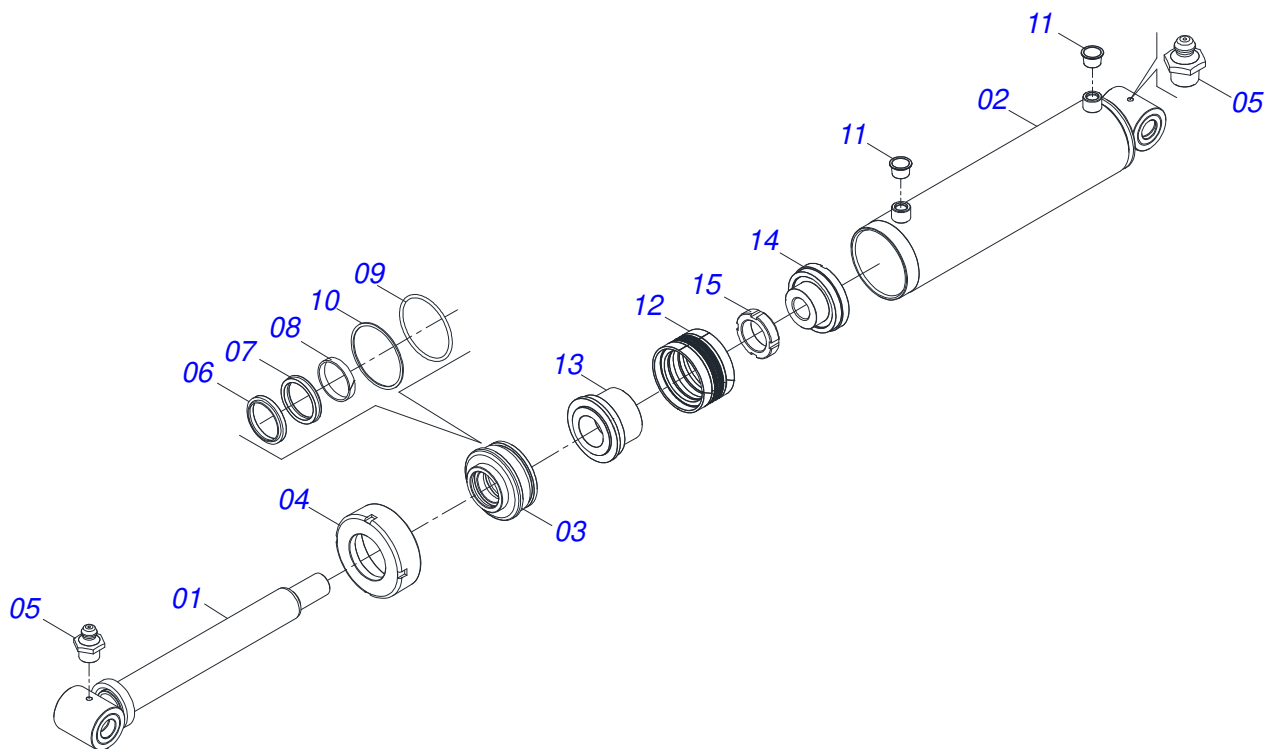
Item	Code	Description	See page	QT
01	0503060100	SUPPORT INSTRUCTION MANUAL		01
02	0503010267	NYLON CLAMP 3,60 X 1,3 X 155 MM		01
03	0503010363	BOLT 5/16 UNC X 1 C S G.2 ZN		01
04	0501010694	FLAT WASHER 32,50 X 75 X 4,75		01
05	0503010179	LOCK WASHER 5/16 ZN 1K01528		01
06	0503010337	NUT 5/16 UNC G.5 ZN		01
07	0511032995	BAG WITH INSTRUCTION MANUAL		01



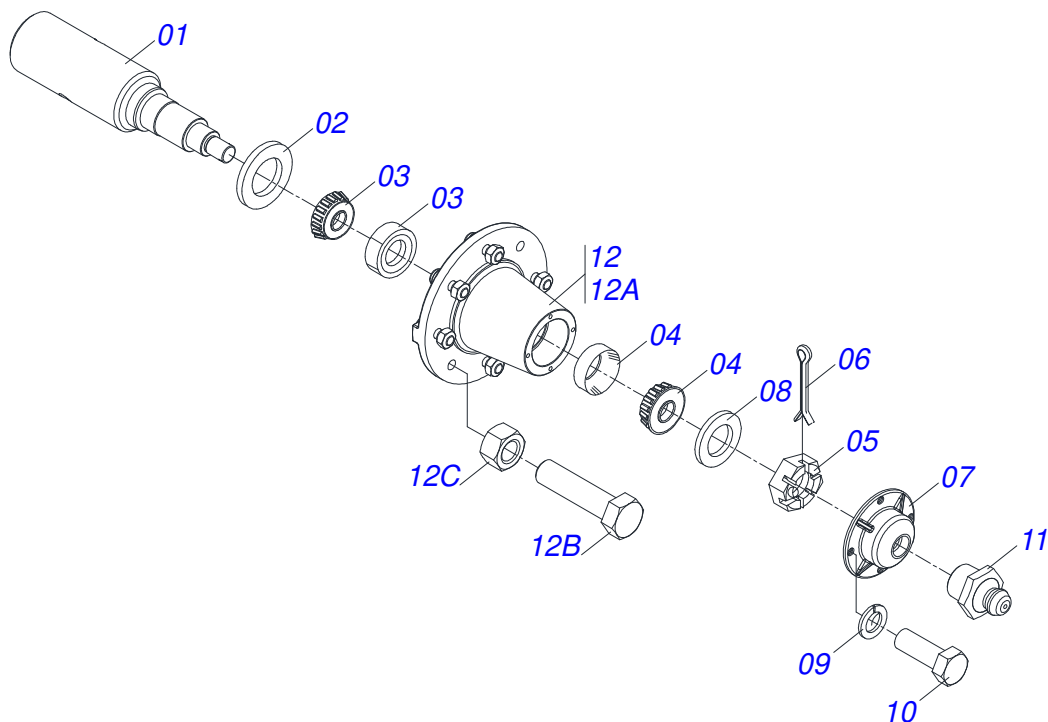
Item	Code	Description	See page	QT
01	0521066478	CARRYNG-WHEELS		01
02	0503010002	1800 GREASE FITTING		02
03	0521051832	HYDRAULIC CYLINDER 53,98 X 114,30 X 654 X 346	16	02
04	0531018101	1.2" X 6.3" PIVOT SHAFT		02
05	0501017779	FLAT WASHER 32 X 60 X 4,75		08
06	0503011877	0.3" X 2.4" SPRING PIN		08
07	0503011198	BOLT 3/4" UNC X 6" CS G.5		02
08	0503010023	3/4" SPRING WASHER		02
09	0503010014	3/4" ZN G.5 (HEAVY) UNC HEX NUT		02
10	0501056467	WHEEL WITHOUT TIRE	17	04
11	0503060102	WHEEL AND TIRE 400/60 - 14L RIGHT		02
12	0531018105	1.2" X 11.8" PIVOT SHAFT		02
13	0531018062	COUPLING SHAFT		02
14	0503011250	1" X 2" BOLT		04
15	0503010012	1" SPRING WASHER		04
16	0521011565	FLAT WASHER		04



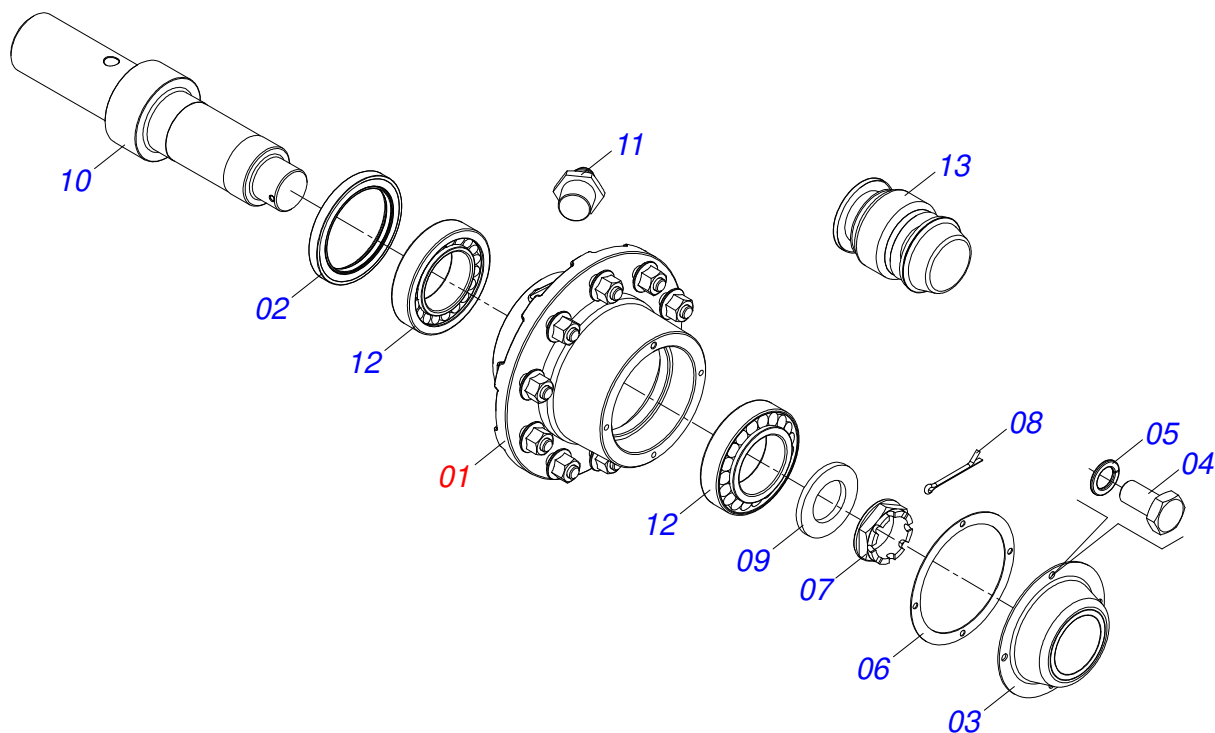
Item	Code	Description	See page	QT
01	0531060840	WHEEL		01
02	0503010002	1800 GREASE FITTING		02
03	0521058003	2" X 5" X 25" X 13" HIDRAULIC CYLINDER	20	02
04	0531060841	CYLINDER AXLE		02
05	0501012916	FLAT WASHER 40 X 66 X 4,75 ZN		08
06	0503010534	3/8" X 2.1/2" SPLIT PIN		08
07	0503011198	BOLT 3/4" UNC X 6" CS G.5		02
08	0503010023	3/4" SPRING WASHER		02
09	0503010014	3/4" ZN G.5 (HEAVY) UNC HEX NUT		02
10	0501057120	WHEEL WITHOUT TIRE		04
10.	0531051143	WHEEL WITHOUT TIRE 11.25INX8.62INX10F (HOLE 18 50)		04
11	0503060102	WHEEL AND TIRE 400/60 - 14L RIGHT		02
12	0531060842	CYLINDER AXLE		02



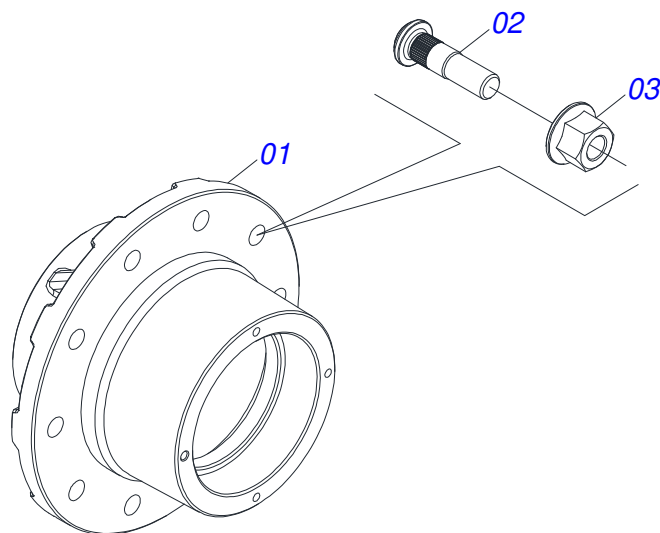
Item	Code	Description	See page	QT
01	0521061684	56,98 X 590,50 TURNBUCKLE		01
02	0521061685	114,30 X 500 CYLINDER CASE		01
03	0502012644	RING SUPPORT		01
04	0502011222	END CAP 4 . 1/2"		01
05	0503010002	1800 GREASE FITTING		02
06	0503015715	SCRAPER SEALING		01
07	0503015642	U-CUP SEALING RUUB000970		01
08	0503015641	WEAR RING		00
09	0503011892	O' RING, 2-346 N 3006-9B		01
10	0503011893	BACK-UP RING, 8-346		01
11	0503030384	PLUG N-001		02
12	0503015640	SEALING SELEMASTER		01
13	0561016578	PISTON BODY		01
14	0581015283	BODY		01
15	0503819100	SCREW		01
16	0511034304	HYDRAULIC CYLINDER REPAIR KIT (0521051832)		01



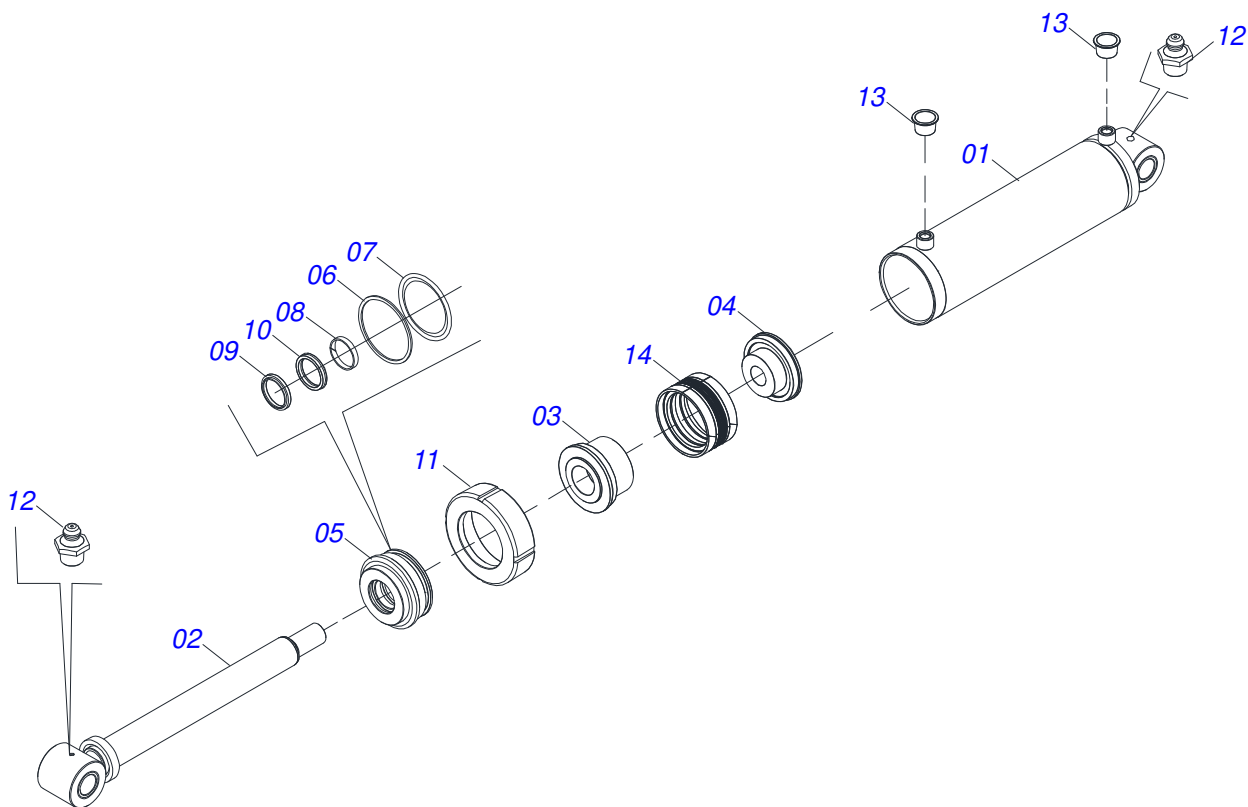
Item	Code	Description	See page	QT
01	0541016566	SPINDLE 3.1/2 X 375		01
02	0503013314	RETAINER 5166-GB 63,5 X 110 X 13 ARCA		01
03	0503015290	ROLLER BEARING 3780/3720		01
04	0503014821	ROLLER BEARING 2780/2720		01
05	0503830009	CASTLE NUT R 1 UNS 14FPP X 22 SA		01
06	0503010018	5/32" X 1-1/2" SPLIT PIN		01
07	0502020591	PROTECCION COVER		01
08	0511812492	FLAT WASHER 28 X 46 X 6,30 AS		01
09	0503011444	SPRING WASHER 5/16"		04
10	0503810358	BOLT 5/16 UNC X 7/8" C S G.5 SA		04
11	0503010002	1800 GREASE FITTING		01
12	0501110738	CARRYING WHEEL HUB 21FT		01
12A	0502012260	TRANSPORT CARRYING-WHEEL HUB		01
12B	0501010186	WHEEL BOLT 5/8"UNF X 2.1/8CR		08
12C	0503010064	5/8 UNF CONIC NUT		08



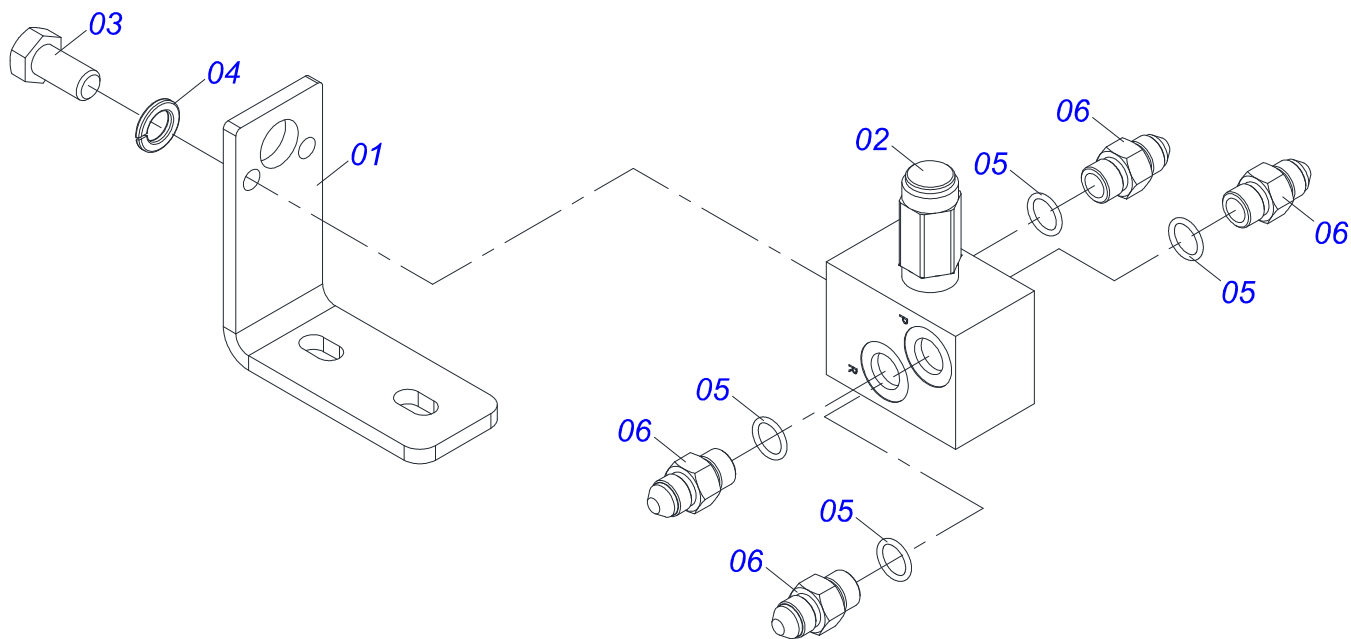
Item	Code	Description	See page	QT
01	0501111042	WHEEL CASE WITH SCREW	19	01
02	0503013541	REAR RETAINER 0310-BG AR22 1G25356		01
03	0503013549	HUB COVER		01
04	0503013546	BOLT SX MA5,8 M10X1,5X20ZA DI		04
05	0503013542	M10 SPRING WASHER		04
06	0503013548	JOINT CORK CR4F		01
07	0502040080	FLANGE NUT R.2.1/2" UN		01
08	0503012213	1/4" X 4" SPLIT PIN		01
09	0531019986	64 X 110 X 9.5 FLAT WASHER		01
10	0591018279	AXLE TIP R 2. 1/2 UN (FURO 50)		01
11	0503010002	1800 GREASE FITTING		01
12	0503013243	32218 ROLLER BEARING		02
13	1882970002	GREASE		01



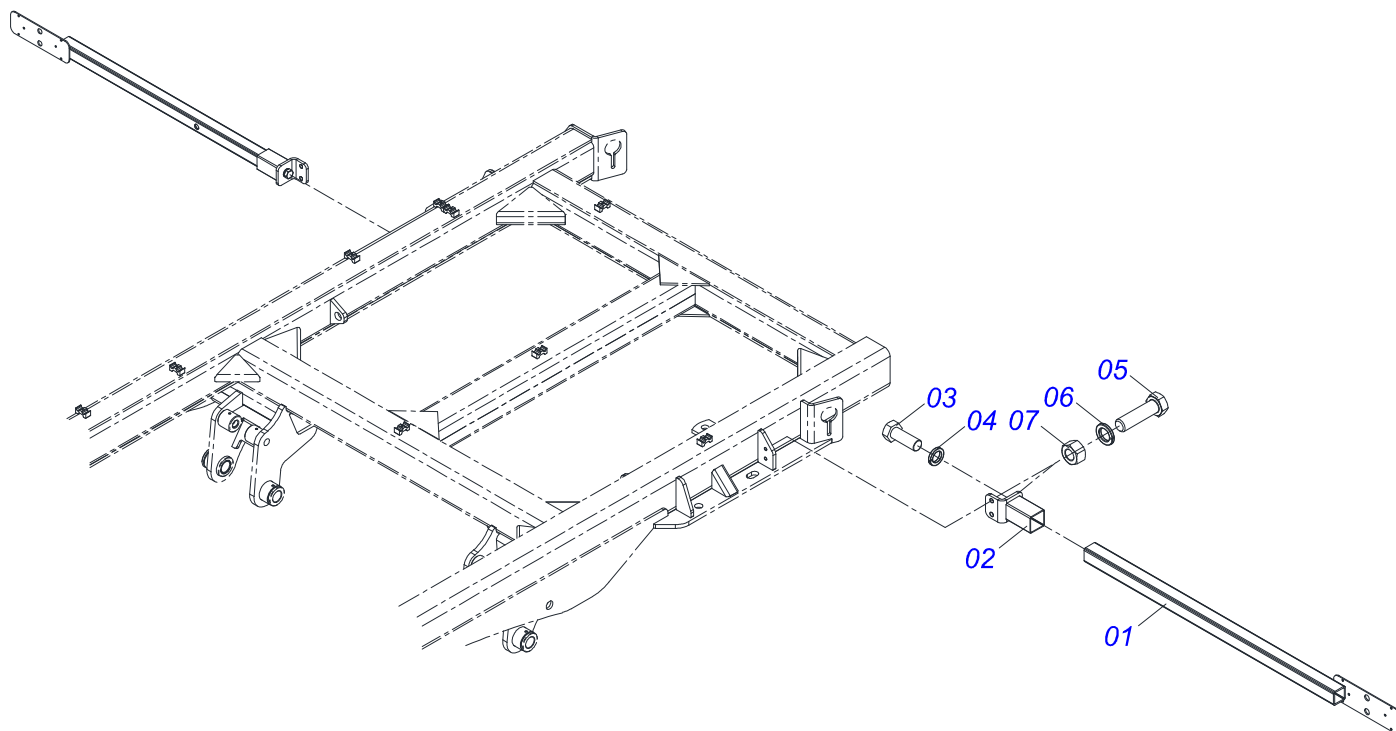
Item	Code	Description	See page	QT
01	0502012972	HUB		01
02	0503035269	CRA RDA UNF3/4 X 2.7/8 X 3.7/32 DIR R G8 BOLT		10
03	0503019871	HEXAGONAL NUT 3/4 UNF 16FPP FLANGEADA G8 SA		10



Item	Code	Description	See page	QT
01	0531060846	CYLINDER CASE		01
02	0531060845	TURNBUCKLE		01
03	0561016583	PISTON BODY		01
04	0502012645	PISTON BODY 2" X 5"		01
05	0502012646	RING SUPPORT 2.1/8" X 5"		01
06	0503011062	8-425 BACK-UP RING		01
07	0503010351	2-425 N 3006-9B O'RING		01
08	0503015641	WEAR RING		01
09	0503015642	U-CUP SEALING RUUB000970		01
10	0503015715	SCRAPER SEALING		01
11	0502010382	5" END CAP		01
12	0503010002	1800 GREASE FITTING		02
13	0503030384	PLUG N-001		02
14	0503015643	SEAL PCK 001270-N8CO		01

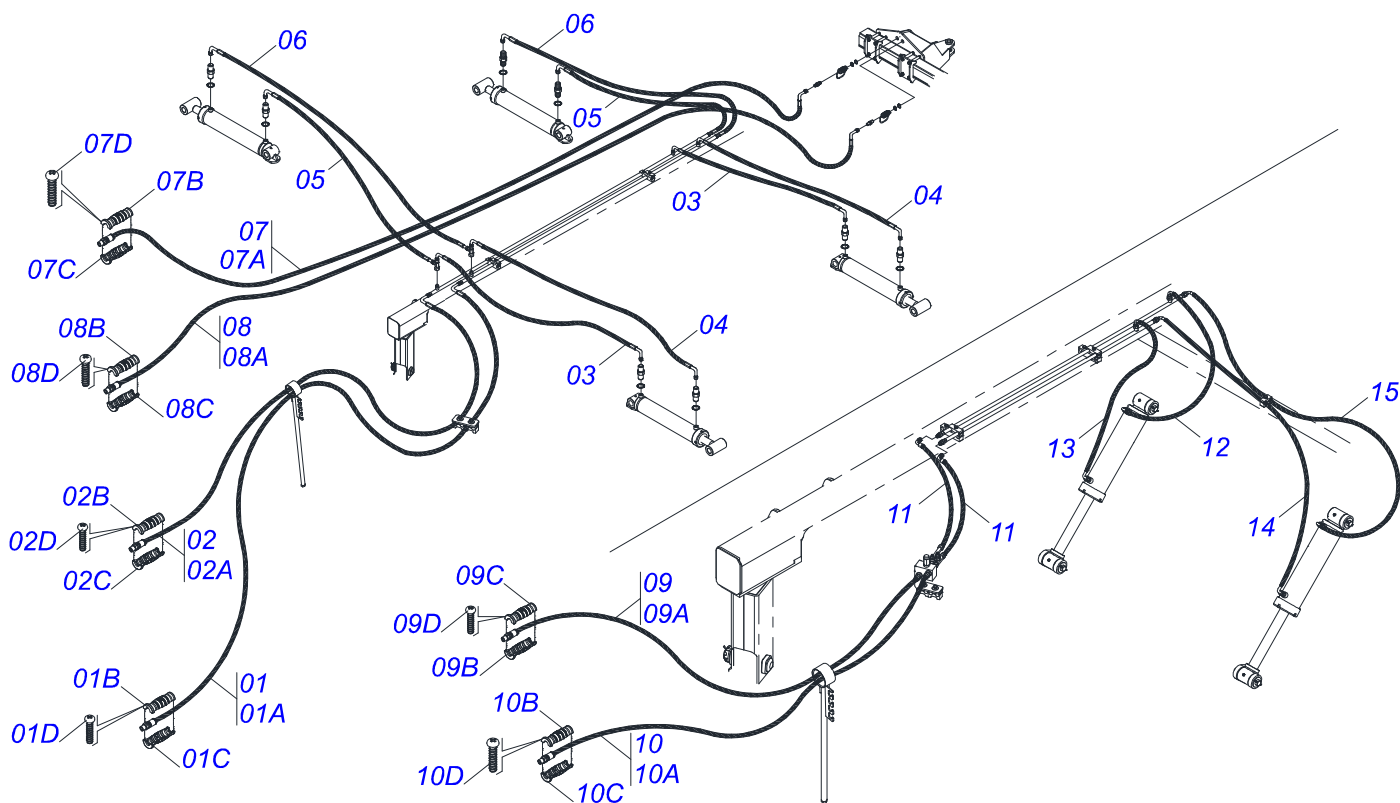


Item	Code	Description	See page	QT
01	0581011745	VALVE SUPPORT		01
02	0503010919	DISCHARGE VALVE		01
03	0503011334	3/8 UNC X 3/4 CS G.5 ZN BOLT		02
04	0503010025	3/8 SPRING WASHER		02
05	0503010190	2-114 N 3006-9B O'RING		04
06	0501010617	NIPLE 3/4" NF X 3/4" NF HEX. 7/8" X 44		04



Item	Code	Description	See page	QT
01	0521066443	SUPPORT FIXER LANTERN		02
02	0521066624	FIXER SUPPORT LANTERN		02
03	0501010098	BOLT 3/4" UNC X 2 C S G.5 ZN		02
04	0503010023	3/4" SPRING WASHER		02
05	0503011082	C1/2" X 1.3/4" SCREW		04
06	0503010019	1/2" SPRING WASHER		04
07	0503010060	1/2 UNC G.5 ZN HEX NUT		04

HOSE ASSY



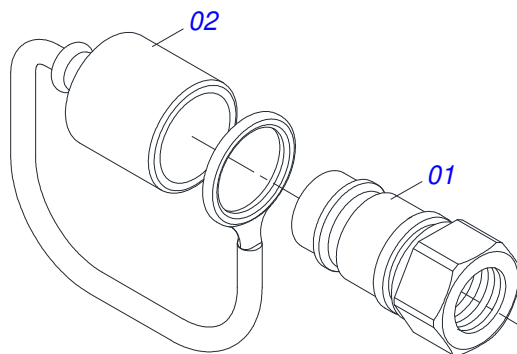
Item	Code	Description	See page	QT
01	0521052944	3/8" X 240" TC-TM BROWN/BLUE HOSE		01
01A	0501080850	3/8" X 240" TC-TM HOSE		01
01B	0503034490	HYDRAULIC HOSE GRIP (BROWN)		01
01C	0503034494	HYDRAULIC HOSE GRIP (BLUE)		01
01D	0503018952	PH 2,5 X 10 ZB PLASTIC BOLT		06
02	0521052945	3/8" X 240" TC-TM BROWN/RED HOSE		01
02A	0501080850	3/8" X 240" TC-TM HOSE		01
02B	0503034490	HYDRAULIC HOSE GRIP (BROWN)		01
02C	0503034495	HYDRAULIC HOSE GRIP (RED)		01
02D	0503018952	PH 2,5 X 10 ZB PLASTIC BOLT		06
03	0501080578	3/8" X 157" TC-TC HOSE		02
04	0501080909	3/8" X 181" TC-TC HOSE		02
05	0501080450	3/8" X 86" TR-TC HOSE		02
06	0501080401	3/8" X 106" TR-TC HOSE		02
07	0521052457	3/8" X 472" TC-TM GRAY/BLUE HOSE		01
07A	0501082031	3/8" X 472" TC-TM HOSE		01
07B	0503034489	HYDRAULIC HOSE GAUNTLET (GRAY)		01
07C	0503034494	HYDRAULIC HOSE GRIP (BLUE)		01
07D	0503018952	PH 2,5 X 10 ZB PLASTIC BOLT		06
08	0521052430	3/8" X 472" TC-TM GRAY/RED HOSE		01
08A	0501082031	3/8" X 472" TC-TM HOSE		01
08B	0503034489	HYDRAULIC HOSE GAUNTLET (GRAY)		01
08C	0503034495	HYDRAULIC HOSE GRIP (RED)		01
08D	0503018952	PH 2,5 X 10 ZB PLASTIC BOLT		06
09	0531055152	3/8" X 236" TR-TM BLACK/BLUE HOSE		01
09A	0501082444	3/8" X 236" TR-TM HOSE		01
09B	0503034492	HYDRAULIC HOSE GRIP (BLACK)		01
09C	0503034494	HYDRAULIC HOSE GRIP (BLUE)		01
09D	0503018952	PH 2,5 X 10 ZB PLASTIC BOLT		06
10	0531055151	3/8" X 236" TR-TM BLACK/RED HOSE		01
10A	0501082444	3/8" X 236" TR-TM HOSE		01
10B	0503034492	HYDRAULIC HOSE GRIP (BLACK)		01



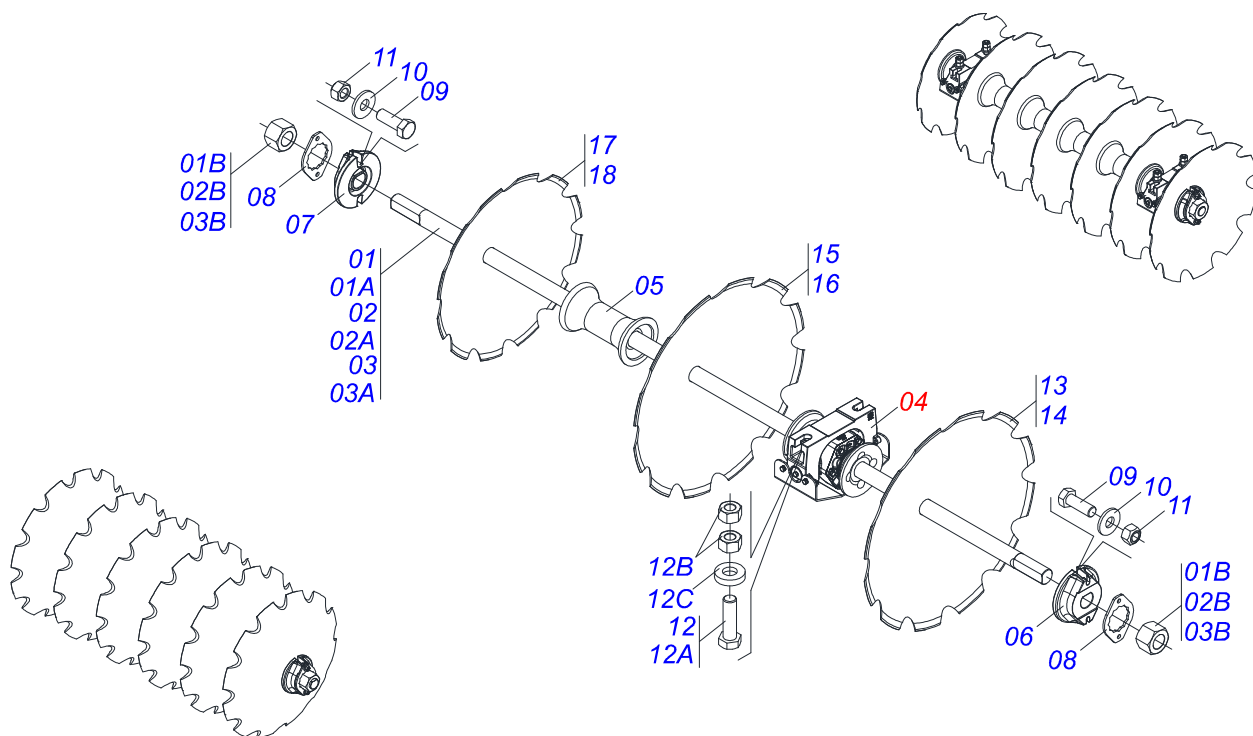
HOSE ASSY

0521051976

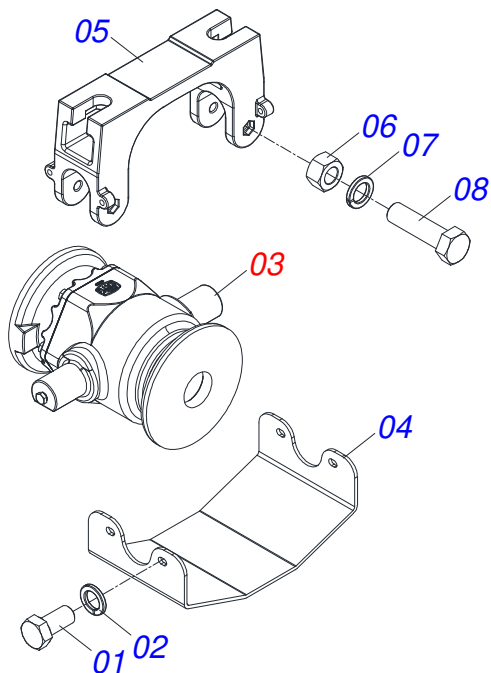
Item	Code	Description	See page	QT
10C	0503034495	HYDRAULIC HOSE GRIP (RED)		01
10D	0503018952	PH 2,5 X 10 ZB PLASTIC BOLT		06
11	0501080106	3/8" X 31" TR-TR HOSE		02
12	0501080931	3/8" X 39" TC-TC HOSE		01
13	0501080065	3/8" X 47" TC-TC HOSE		01
14	0501080432	3/8" X 102" TC-TC HOSE		01
15	0501080393	3/8" X 86" TC-TC HOSE		01



Item	Code	Description	See page	QT
01	0503011627	MALE QUICK COUPLER AGR 1/2 NPT		01
02	0503011882	MALE QUICK COUPLER CAP		01

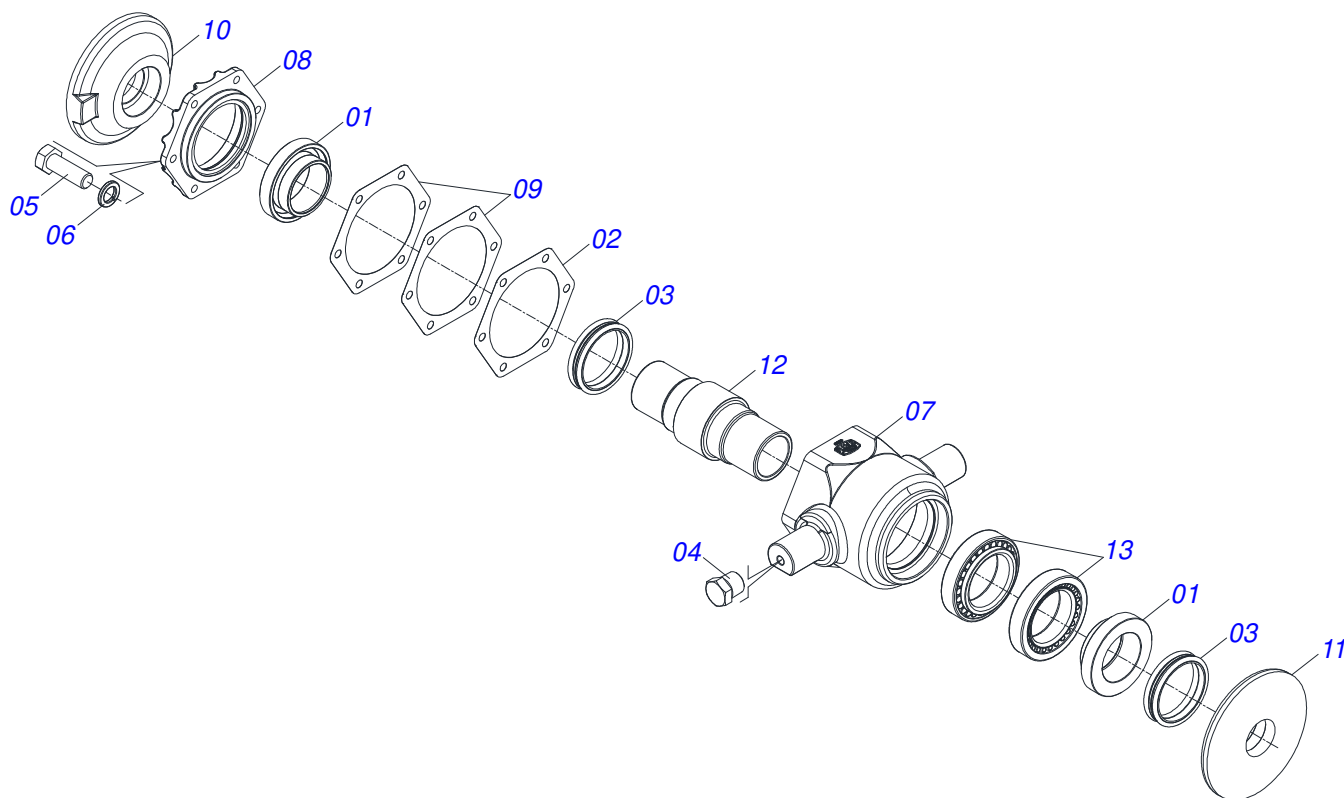


Item	Code	Description	See page	45D	49D
01	0511042484	2-1/2" X 78" AXLE WITH NUTS		05	07
01A	0541012129	2-1/2" X 78" AXLE		01	01
01B	0502040064	2.1/2" SNC X 70 99 NUT		02	02
02	0511042483	2-1/2" X 65" AXLE WITH NUTS		03	00
02A	0541012128	2-1/2" X 65" AXLE WITH NUTS		01	01
02B	0502040064	2.1/2" SNC X 70 99 NUT		02	02
03	0511042421	2-1/2" X 91.7" AXLE WITH NUTS		00	01
03A	0541011893	2-1/2" X 91.7" AXLE		01	01
03B	0502040064	2.1/2" SNC X 70 99 NUT		02	02
04	0531041672	330 X 2.1/2 BEARING	26	16	16
05	0502011425	13" X 2-1/2" SPACER		21	25
06	0502010592	2.1/2" INNER AXLE WASHER		04	04
07	0502010593	2.1/2" EXTERNAL AXLE WASHER		04	04
08	0541010368	NUT LOCK		08	08
09	0503010232	5/8" X 1.3/4" BOLT		32	32
10	0501012140	FLAT WASHER 16,50 X 40 X 4,00 ZN		32	32
11	0503012412	5/8" UNC SELF LOCKING NUT		32	32
12	0531040741	1.1/4 UNC X 5 BOLT ASSY		32	32
12A	0503011347	1.1/4" X 5" BOLT		01	01
12B	0501010087	1.1/4" NUT		02	02
12C	0571010448	32,50 X 75 X 16 SLEEVE		01	01
13	0602048063	DR 36 X 9,00 C130AF04FR2.9/16 12R		44	48
14	0602046001	DR 34 X 9,00 C120AF04FR2.9/16 12R		44	48
15	0602044033	DR 32 X 9,00 C115AF04FR2.9/16 10R		44	48
16	0602044155	32" X 9 NOTCHED DISC BLADE		01	01
17	0602037127	DR 28 X 9,00 C102AF04FR2.9/16 10R		01	01
18	0602033922	26 X 7,5 NOTCHED DISC 10REC (D082) 10REC TATU		01	01

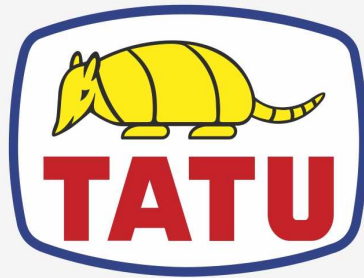


Item	Code	Description	See page	QT
01	0503010834	1/2 X 1 BOLT		04
02	0503010019	1/2" SPRING WASHER		04
03	0531053201	BEARING	27	01
04	0591011532	OSCILLATING BEARING COVER		01
05	0502013022	CENTRAL OSCILLATING BEARING SUPPORT		01
06	0503010013	5/8 UNC G.5 ZN HEX NUT		02
07	0503010027	5/8 SPRING WASHER		02
08	0503010480	5/8" X 4.3/4" BOLT		02

BEARING



Item	Code	Description	See page	QT
01	0502040119	SEAL RETAINER		02
02	0503035599	205 X 160,5 X 0,20 SEAL GASKET		01
03	0503030029	RETAINER LP JB-259		02
04	0503010856	OIL PLUG R 3/8 BSPT		02
05	0503010920	1/2 UNC X 1.1/2 C S G.5 ZN BOLT		06
06	0503011440	SPRING WASHER		06
07	0502013021	BEARING BOX		01
08	0502013005	BEARING HUB LID		01
09	0503035600	205 X 160,5 X 0,40 SEAL GASKET		02
10	0502012239	BEARING OUTER FLANGE		01
11	0502012238	BEARING INNER FLANGE		01
12	0502040204	AXLE		01
13	0503010482	594A/592A ROLLER BEARING		02



MARCHESAN

Technical Publications | Elaboration and Revision

LUIZ CANDIDO

www.marchesan.com.br

