

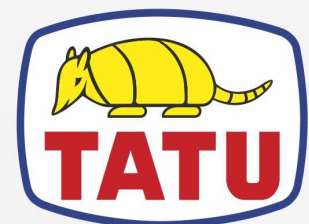
OFFSET DISK HARROW

**GAPCR-HD 8013 - MECHANICAL RIGID -
29/31/33/35/37D**

**GAPCR-HD 8013 - RÍGIDA MECÂNICA -
29/31/33/35/37D**

Code: 0501093753
Series: S-1123
Revision: 00
Revision Date: MAY/2024

PARTS CATALOGUE



MARCHESAN



PRODUCTS

Code	Working Width	Description
0102060516		GAPCR-HD 8013 29 X 32 X 9,00 DR DMO E 2.1/2 MEC C/ET S-1123
0102060519		GAPCR-HD 8013 29 X 32 X 9,00 DR DMO E 2.1/2 MEC S/ET S-1123
0102060517		GAPCR-HD 8013 29 X 34 X 9,00 DR DMO E 2.1/2 MEC C/ET S-1123
0102060520		GAPCR-HD 8013 29 X 34 X 9,00 DR DMO E 2.1/2 MEC S/ET S-1123
0102060518		GAPCR-HD 8013 29 X 36 X 9,00 DR DMO E 2.1/2 MEC C/ET S-1123
0102060521		GAPCR-HD 8013 29 X 36 X 9,00 DR DMO E 2.1/2 MEC S/ET S-1123
0102060530		GAPCR-HD 8013 31 X 32 X 9,00 DR DMO E 2.1/2 MEC C/ET S-1123
0102060591		GAPCR-HD 8013 31 X 32 X 9,00 DR DMO E 2.1/2 MEC C/ET S/PN S-1123
0102060533		GAPCR-HD 8013 31 X 32 X 9,00 DR DMO E 2.1/2 MEC S/ET S-1123
0102060531		GAPCR-HD 8013 31 X 34 X 9,00 DR DMO E 2.1/2 MEC C/ET S-1123
0102060534		GAPCR-HD 8013 31 X 34 X 9,00 DR DMO E 2.1/2 MEC S/ET S-1123
0102060532		GAPCR-HD 8013 31 X 36 X 9,00 DR DMO E 2.1/2 MEC C/ET S-1123
0102060481		GAPCR-HD 8013 31 X 36 X 9,00 DR DMO E 2.1/2 MEC C/ET S/PN S-1123
0102060535		GAPCR-HD 8013 31 X 36 X 9,00 DR DMO E 2.1/2 MEC S/ET S-1123
0102060544		GAPCR-HD 8013 33 X 32 X 9,00 DR DMO E 2.1/2 MEC C/ET S-1123
0102060537		GAPCR-HD 8013 33 X 32 X 9,00 DR DMO E 2.1/2 MEC S/ET S-1123
0102060545		GAPCR-HD 8013 33 X 34 X 9,00 DR DMO E 2.1/2 MEC C/ET S-1123
0102060547		GAPCR-HD 8013 33 X 34 X 9,00 DR DMO E 2.1/2 MEC S/ET S-1123
0102060546		GAPCR-HD 8013 33 X 36 X 9,00 DR DMO E 2.1/2 MEC C/ET S-1123
0102060603		GAPCR-HD 8013 33 X 36 X 9,00 DR DMO E 2.1/2 MEC C/ET S/PN S-1123
0102060548		GAPCR-HD 8013 33 X 36 X 9,00 DR DMO E 2.1/2 MEC S/ET S-1123
0102060555		GAPCR-HD 8013 35 X 32 X 9,00 DR DMO E 2.1/2 MEC C/ET S-1123
0102060558		GAPCR-HD 8013 35 X 32 X 9,00 DR DMO E 2.1/2 MEC S/ET S-1123
0102060556		GAPCR-HD 8013 35 X 34 X 9,00 DR DMO E 2.1/2 MEC C/ET S-1123
0102060559		GAPCR-HD 8013 35 X 34 X 9,00 DR DMO E 2.1/2 MEC S/ET S-1123
0102060557		GAPCR-HD 8013 35 X 36 X 9,00 DR DMO E 2.1/2 MEC C/ET S-1123
0102060477		GAPCR-HD 8013 35 X 36 X 9,00 DR DMO E 2.1/2 MEC C/ET S/PN S-1123
0102060560		GAPCR-HD 8013 35 X 36 X 9,00 DR DMO E 2.1/2 MEC S/ET S-1123
0102060567		GAPCR-HD 8013 37 X 32 X 9,00 DR DMO E 2.1/2 MEC C/ET S-1123
0102060570		GAPCR-HD 8013 37 X 32 X 9,00 DR DMO E 2.1/2 MEC S/ET S-1123

ATTENTION: IMPORTANT

Marchesan S.A. reserves the right to improve and/or modify the technical features of its products, without obligation to do the same with those products already sold and without prior knowledge of the dealer or the customer. The photos are only illustrative.



PRODUCTS

0102060568	GAPCR-HD 8013 37 X 34 X 9,00 DR DMO E 2.1/2 MEC C/ET S-1123
0102060571	GAPCR-HD 8013 37 X 34 X 9,00 DR DMO E 2.1/2 MEC S/ET S-1123
0102060569	GAPCR-HD 8013 37 X 36 X 9,00 DR DMO E 2.1/2 MEC C/ET S-1123
0102060476	GAPCR-HD 8013 37 X 36 X 9,00 DR DMO E 2.1/2 MEC C/ET S/PN S-1123
0102060608	GAPCR-HD 8013 37 X 36 X 9,00 DR DMO E 2.1/2 MEC C/ET S/PN USA S-1123
0102060572	GAPCR-HD 8013 37 X 36 X 9,00 DR DMO E 2.1/2 MEC S/ET S-1123

ATTENTION: IMPORTANT

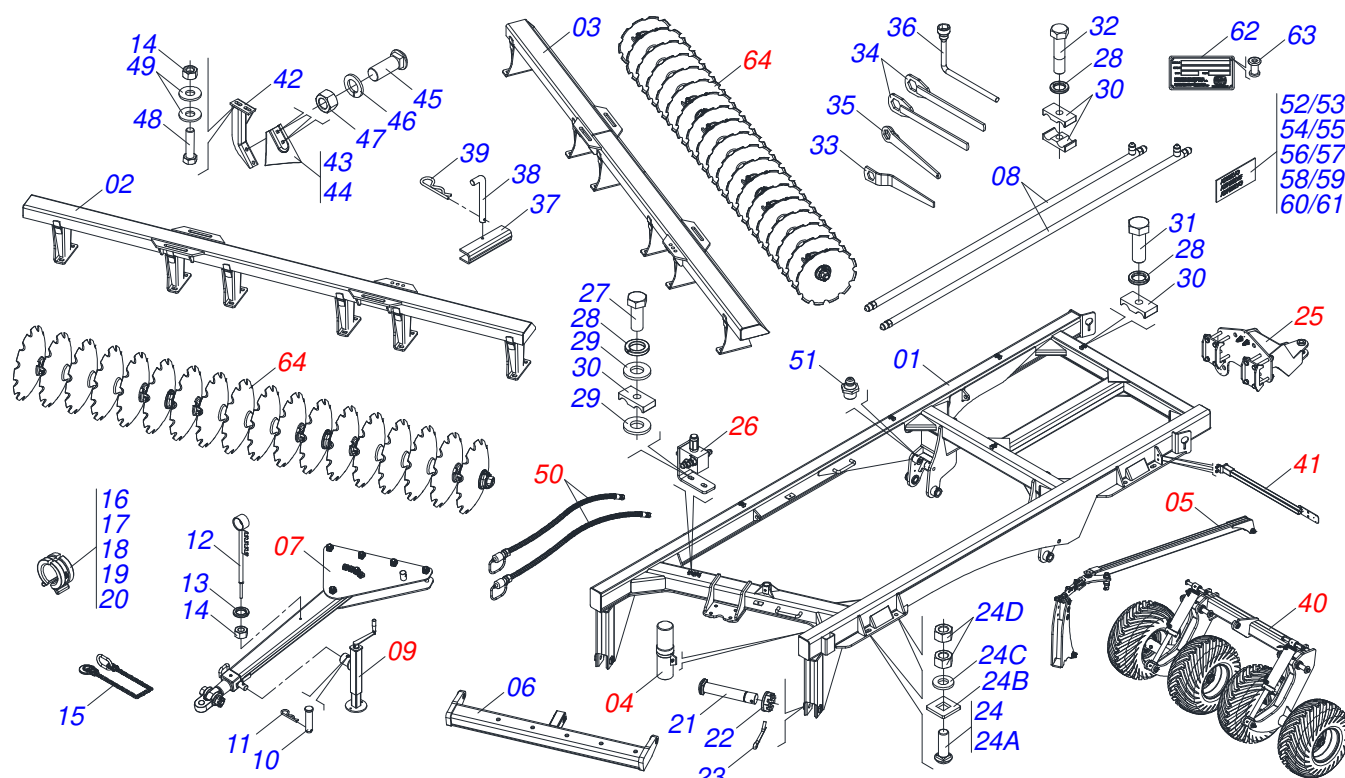
Marchesan S.A. reserves the right to improve and/or modify the technical features of its products, without obligation to do the same with those products already sold and without prior knowledge of the dealer or the customer. The photos are only illustrative.



MARCHESAN

INDEX

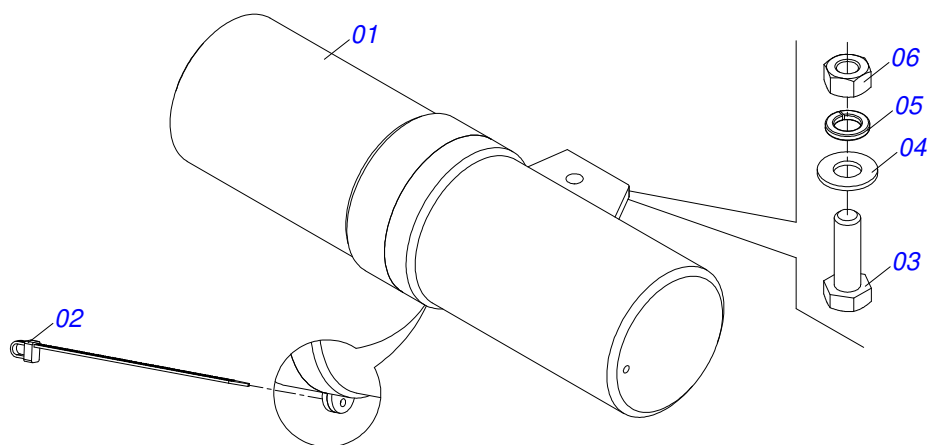
0909097215	FRAME ASSY - 29/31/33/35/37D	1
0521052190	MANUAL CANISTER ASSY	2
0909094820	DRAWBAR ARTICULATOR ASSY	3
0511059199	STABILIZER BAR REGULATOR EXTENSOR	4
0521041823	TRACTION BAR ASSY (PIN 3")	5
0531040171	HITCH ASSY	6
0511048088	DRAWBAR JACK	7
0909092741	REAR COUPLING KIT	8
0501053835	FEMALE QUICK COUPLER	9
0511059196	VALVE ASSY	10
0909097217	CARRYING-WHEEL ASSY	11
0521051832	HYDRAULIC CYLINDER 53,98 X 114,30 X 654 X 346	12
0501056467	WHEEL WITHOUT TIRE	13
0531051143	WHEEL WITHOUT TIRE 11.25INX8.62INX10F (HOLE 50)	14
0501111042	WHEEL CASE WITH SCREW	15
0503060102	WHEEL AND TIRE 400/60 - 14L RIGHT	16
0503063403	WHEEL WITH TIRE 400/60 - 14L LEFT	17
0909093685	LANTERN FIXING ASSY	18
0909094850	HYDRAULIC CIRCUIT	19
0909094849	HYDRAULIC CIRCUIT WITH REAR COUPLING	20
0501053834	MALE QUICK COUPLER	21
0909097216	DISC GANG - 29/31/33/35/37D	22
0531041672	330 X 2.1/2 BEARING	23
0531053201	BEARING	24



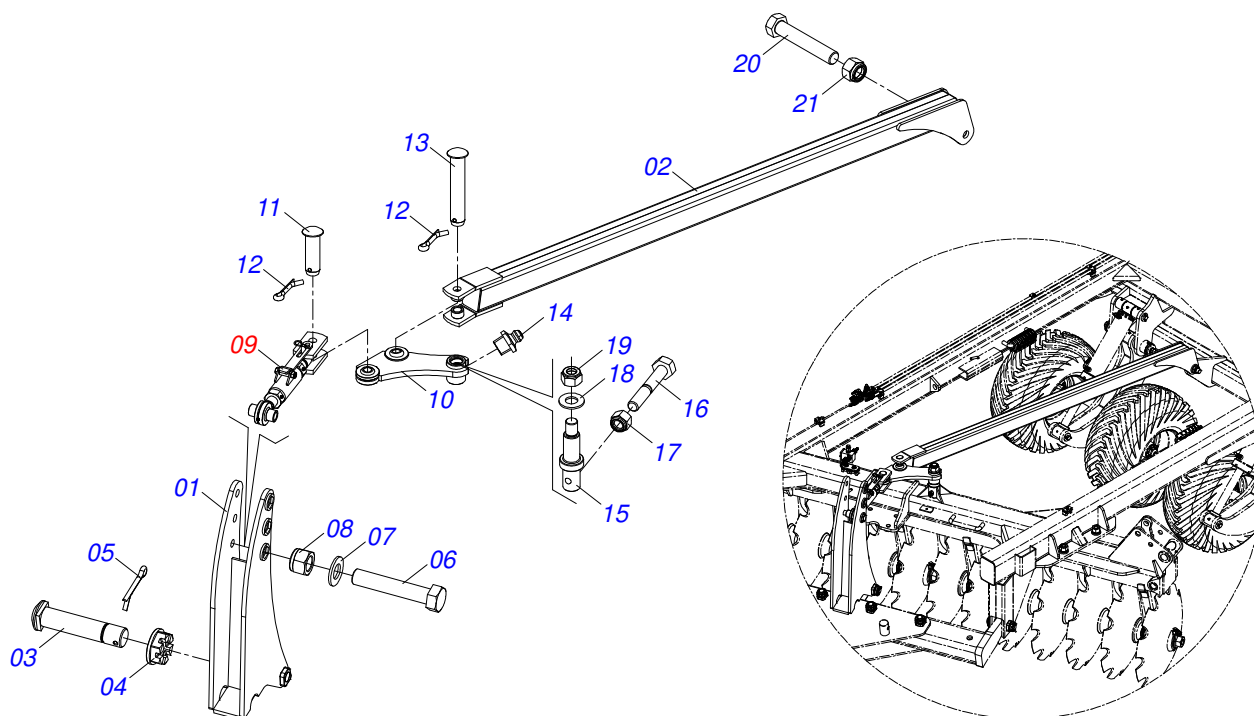
Item	Code	Description	See page	029	031	033	035	037
01	0521068243	FRAME		001	001	001	001	001
02	0521062732	FRONT FRAME - 29D		001	000	000	000	000
02.	0511066577	FRONT FRAME - 31D		000	001	000	000	000
02..	0521062726	FRONT FRAME - 33D		000	000	001	000	000
02...	0521062724	FRONT FRAME - 35D		000	000	000	001	000
02....	0511066623	FRONT FRAME - 37D		000	000	000	000	001
03	0521062733	REAR FRAME - 29D		001	000	000	000	000
03.	0511066578	REAR FRAME - 31D		000	001	000	000	000
03..	0521062727	REAR FRAME - 33D		000	000	001	000	000
03...	0521062725	REAR FRAME - 35D		000	000	000	001	000
03....	0521066747	REAR FRAME - 37D		000	000	000	000	001
04	0521052190	MANUAL CANISTER ASSY	2	001	001	001	001	001
05		DRAWBAR ARTICULATOR ASSY	3					
06	0521068250	HITCH BAR		001	001	001	001	001
07	0521041823	TRACTION BAR ASSY (PIN 3")	5	001	001	001	001	001
08	0521066937	OIL DISTRIBUTOR DUCT		002	002	002	002	002
09	0511048088	DRAWBAR JACK	7	001	001	001	001	001
10	0561014251	COUPLING SHAFT		001	001	001	001	001
11	0503030012	HITCH PIN CLIP		001	001	001	001	001
12	0531061120	HOSE SUPPORT		001	001	001	001	001
13	0503010023	3/4" SPRING WASHER		006	006	006	006	006
14	0503010014	3/4" ZN G.5 (HEAVY) UNC HEX NUT		062	066	070	074	078
15	0503013150	1300 X 3/8" CHAIN		001	001	001	001	001
16	0501047895	25 ROD STOP		004	004	004	004	004
17	0501047885	30 ROD STOP		002	002	002	002	002
18	0501047886	35 ROD STOP		002	002	002	002	002
19	0501047887	40 ROD STOP		002	002	002	002	002
20	0501047888	45 ROD STOP		002	002	002	002	002
21	0541014119	37.5 X 195 COUPLING SHAFT		002	002	002	002	002
22	0501011301	1.1/2" UNC 6FPP 2.5/16" NUT		002	002	002	002	002
23	0503010010	1/4" X 2.1/2" SPLIT PIN		002	002	002	002	002
24	0521040349	1-1/4" X 5.3/4" BOLT		008	008	008	008	008



Item	Code	Description	See page	029	031	033	035	037
24A	0501010954	1.1/4" X 5.3/4" BOLT		001	001	001	001	001
24B	0571010449	LOCK BOLT		001	001	001	001	001
24C	0571010448	32,50 X 75 X 16 SLEEVE		001	001	001	001	001
24D	0501010087	1.1/4" NUT		002	002	002	002	002
25		REAR COUPLING KIT	8					
26	0511059196	VALVE ASSY	10	001	001	001	001	001
27	0503011173	7/16" X 2" BOLT		002	002	002	002	002
28	0503010180	7/16" SPRING WASHER		007	007	007	007	007
29	0501012803	FLAT WASHER 12 X 30 X 3,00 ZN		004	004	004	004	004
30	0502010477	HOSE CLAMP		009	009	009	009	009
31	0503011135	BOLT 7/16" UNC X 1.1/2" C S G.5 ZN		003	003	003	003	003
32	0503011103	BOLT 7/16" UNC X 2.1/2" C S G.5 ZN		002	002	002	002	002
33	0501011432	1-1/2" AND 1-5/8 GANG BOLT WRENCH		001	001	001	001	001
34	0501061044	2-1/8" AND 2-1/2" CABLE FLAT WRENCH		002	002	002	002	002
35	0521062858	1.1/4" WRENCH NUT		001	001	001	001	001
36	0503016137	1-1/4" WRENCH CABLE CYLINDER		001	001	001	001	001
37	0561016693	TRANSPORT LOCK		002	002	002	002	002
38	0541016844	FIXER LOCK		002	002	002	002	002
39	0503030285	HITCH PIN CLIP		002	002	002	002	002
40		CARRYING-WHEEL ASSY	11					
41		LANTERN FIXING ASSY	18					
42	0511064771	FRONT SCRAPER SUPPORT		029	031	033	035	037
43	0521013678	FRONT CLEANER		014	015	016	017	018
44	0521013679	REAR CLEANER		015	016	017	018	019
45	0503012195	5/8" NUT		058	062	066	070	074
46	0503010027	5/8 SPRING WASHER		058	062	066	070	074
47	0503010013	5/8 UNC G.5 ZN HEX NUT		058	062	066	070	074
48	0501010500	3/4" X 3" BOLT		058	062	066	070	074
49	0541010763	FLAT WASHER		116	124	132	140	148
50		HYDRAULIC CIRCUIT	19					
50.		HYDRAULIC CIRCUIT WITH REAR COUPLING	20					
51	0503010002	1800 GREASE FITTING		008	008	008	008	008
52	0503034064	GAPCR HD 8013 LOGO DECAL		002	002	002	002	002
53	0503033428	TATU LOGO DECAL		001	001	001	001	001
54	0503031428	ATTENTION READ MANUAL DECAL		001	001	001	001	001
55	0503031738	WARNING DECAL		001	001	001	001	001
56	0503031827	DAILY LUBRICATION AND RETIGHTENING DECAL		001	001	001	001	001
57	0503034078	LIFTING POINTS DECAL		004	004	004	004	004
58	0503034499	HOSE IDENTIFICATION DECAL		001	001	001	001	001
59	0503033038	DANGER DECAL		001	001	001	001	001
60	0503031739	DANGER DECAL		001	001	001	001	001
61	0503031087	AUTO CONTROL APPROVED DECAL		001	001	001	001	001
62	0503034003	61 X 118 SERIAL NUMBER TAG		001	001	001	001	001
63	0503010001	RIVET 3,2 X 5,5		004	004	004	004	004
64		DISC GANG - 29/31/33/35/37D	22					

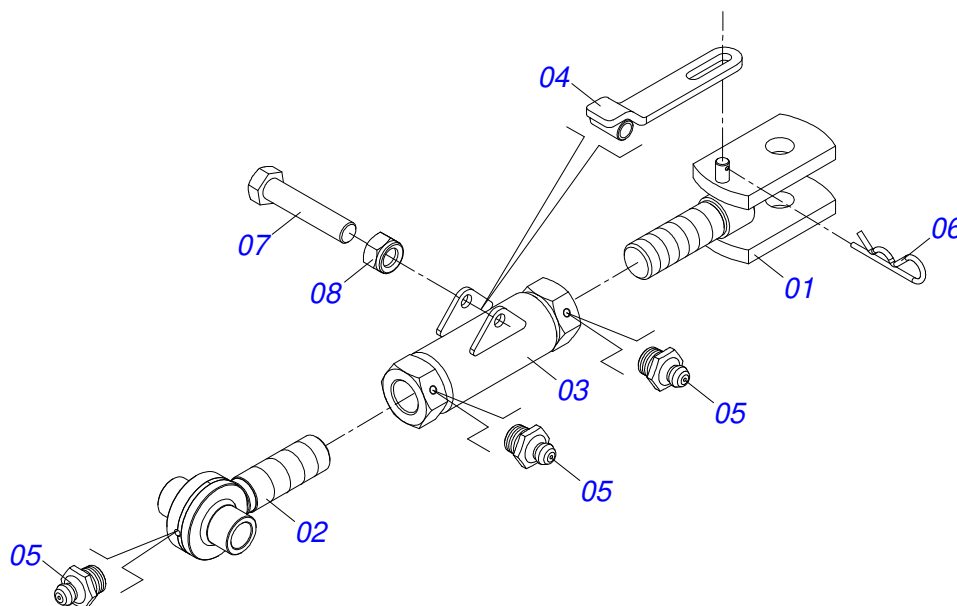


Item	Code	Description	See page	QT
01	0503060100	SUPPORT INSTRUCTION MANUAL		01
02	0503010267	NYLON CLAMP 3,60 X 1,3 X 155 MM		01
03	0503010363	BOLT 5/16 UNC X 1 C S G.2 ZN		01
04	0501010694	FLAT WASHER 32,50 X 75 X 4,75		01
05	0503010179	LOCK WASHER 5/16 ZN 1K01528		01
06	0503010337	NUT 5/16 UNC G.5 ZN		01



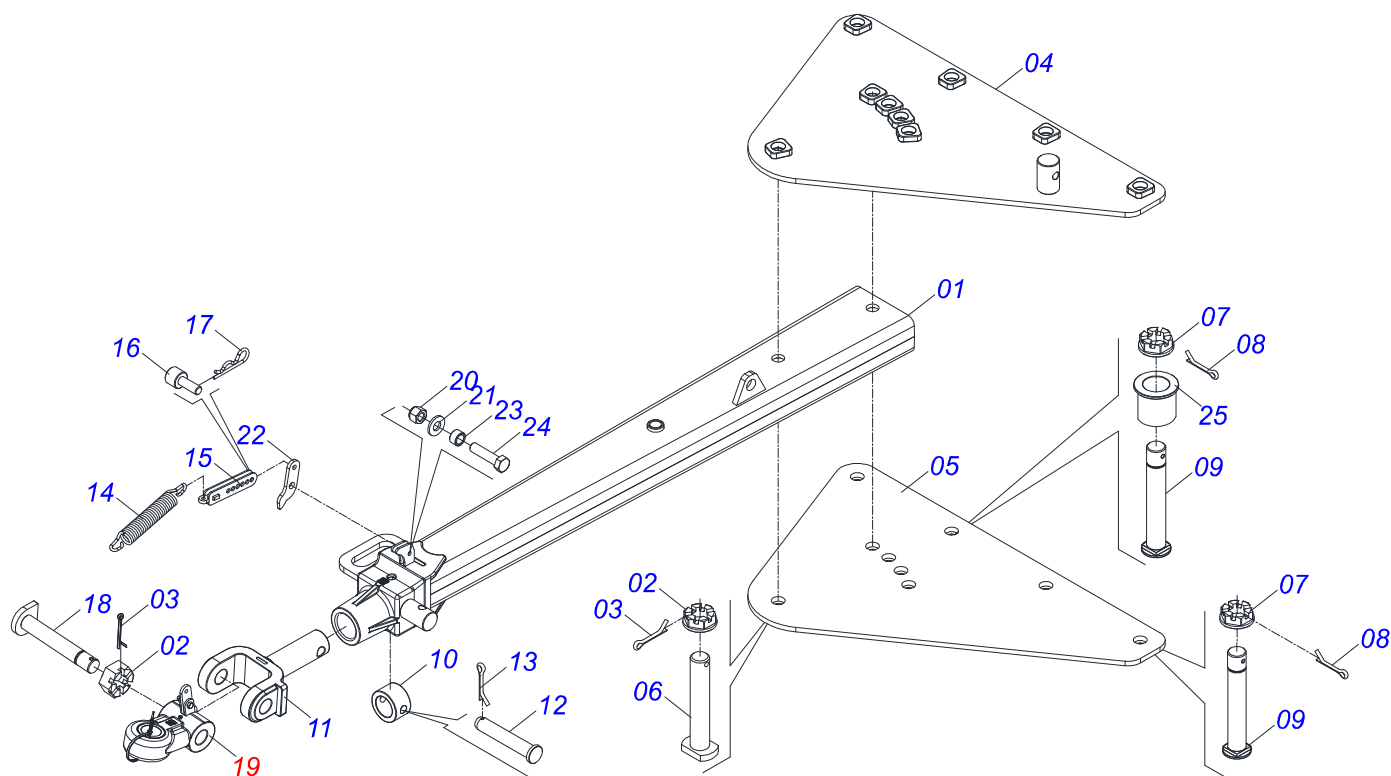
Item	Code	Description	See page	QT
01	0521066758	DRAWBAR ARTICULATOR		01
02	0521066759	STABILIZER BAR		01
03	0521012053	1.5" X 8.6" AXLE		01
04	0501011301	1.1/2" UNC 6FPP 2.5/16" NUT		01
05	0503010010	1/4" X 2.1/2" SPLIT PIN		01
06	0521017351	1-1/4" X 8" BOLT		01
07	0501017779	FLAT WASHER 32 X 60 X 4,75		01
08	0503010817	1.1/4" SELF LOCKING NUT		01
09	0511059199	STABILIZER BAR REGULATOR EXTENSOR	4	01
10	0521066960	STABILIZER BAR ARTICULATOR		01
11	0521010780	1.2" X 4.5" COUPLING SHAFT		01
12	0503010523	1/4 X 2 SPLIT PIN		02
13	0581811919	AXIS JUNCTION		01
14	0503010002	1800 GREASE FITTING		01
15	0581011775	STABILIZER BAR ARTICULATING PIVOT AXLE		01
16	0501010216	3/4 UNC X 4.1/2 C S G.5 ZN BOLT		01
17	0503011075	3/4 UNC LOCK NUT		01
18	0501010287	FLAT WASHER		01
19	0503010290	SELF ADJUSTING 1.1/2" UNF NUT		01
20	0503013321	SCREW 1.1/4 UNF X 7 C S G.8 ZN		01
21	0503010817	1.1/4" SELF LOCKING NUT		01

STABILIZER BAR REGULATOR EXTENSOR



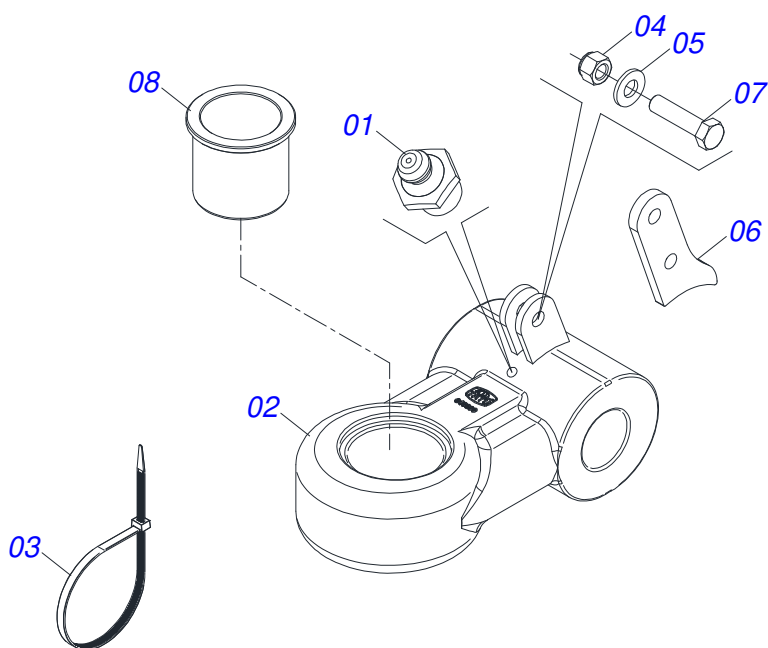
Item	Code	Description	See page	QT
01	0521066962	EXTENSION PIN C/O. R.1.3/4 LEFT		01
02	0521066965	JACK CRANK NUT FIXER R.1.3/4 UNC DIREITO		01
03	0521066963	ADJUSTMENT NUT R.1.3/4 UNC (245)		01
04	0521066964	STABILIZER TENSOR REGULATOR LEVER		01
05	0503010002	1800 GREASE FITTING		03
06	0503030285	HITCH PIN CLIP		01
07	0503010806	5/8" X 3" BOLT		01
08	0503010878	5/8" SELF ALIGNING NUT		01

TRACTION BAR ASSY (PIN 3")

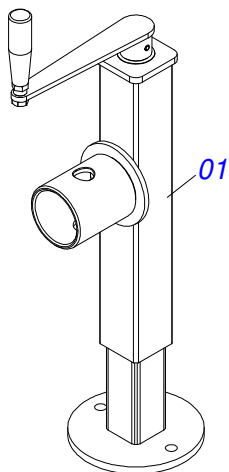


Item	Code	Description	See page	QT
01	0521068249	TRACTION BAR (AXLE 2)		01
02	0502040558	2" CASTLE NUT		02
03	0503010074	3/8" X 4" SPLIT PIN		02
04	0521068246	UPPER PLATE (AXLE 2)		01
05	0521068247	LOWER PLATE (AXLE 2)		01
06	0521068248	JUNCTION AXLE WITH LOCK		01
07	0501811301	CASTLE NUT		05
08	0503010010	1/4" X 2.1/2" SPLIT PIN		05
09	0521811880	37,50 X 230 X PQ R.1./2 JUNCTION AXLE		05
10	0502040263	HITCH LOCK RING		01
11	1902040897	TRACTOR HITCH		01
12	0561017306	COUPLING SHAFT		01
13	0503010523	1/4 X 2 SPLIT PIN		01
14	0503031741	1.8" X 11.4" 0.3" TRACTION SPRING		01
15	0531061607	SPRING REGULATOR		01
16	0591014558	SPRING REGULATOR FIXER AXLE		01
17	0503030285	HITCH PIN CLIP		01
18	0531061122	AXIS ARTICULATOR		01
19	0531040171	HITCH ASSY	6	01
20	0503010589	1/2" UNC SELF ADJUSTING NUT		01
21	0501010937	13,50 X 28 X 3,00 FLAT WASHER		01
22	0591014554	REAR SUPPORT FIXING SPRING		01
23	0591014552	SLEEVE		01
24	0503010740	BOLT 1/2 UNC X 2 CS G.5 ZN		01
25	0591013086	SLEEVE 52,8 X 78 X 76 (PIN 2")		01

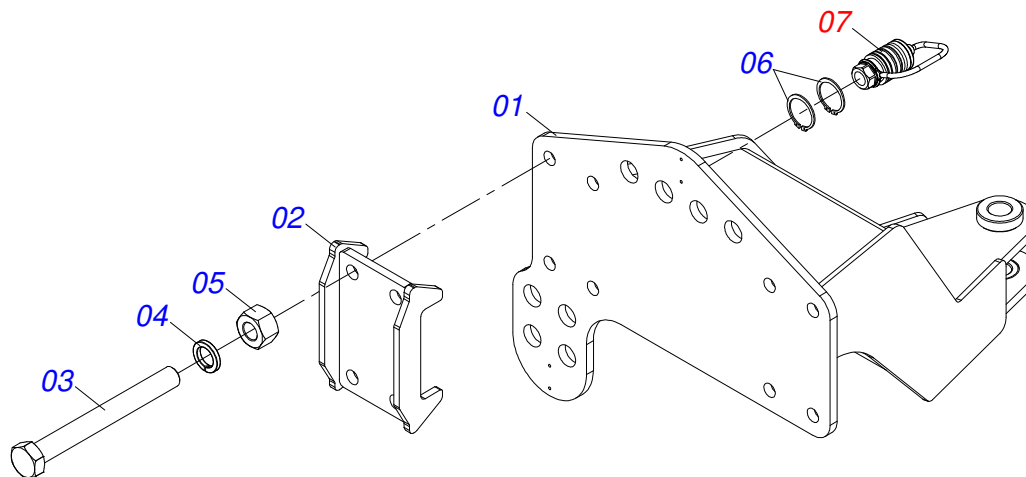
HITCH ASSY



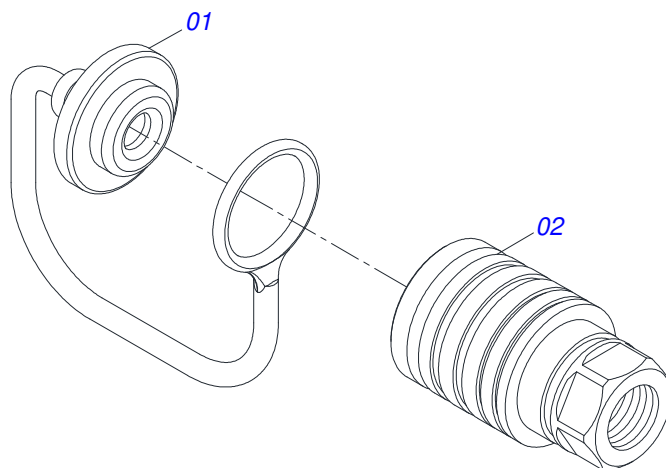
Item	Code	Description	See page	QT
01	0503010002	1800 GREASE FITTING		01
02	0531061121	HITCH		01
03	0503018829	NYLON CLAMP 7,8 X 1,8 X 390 MM		01
04	0503010589	1/2" UNC SELF ADJUSTING NUT		01
05	0501010937	13,50 X 28 X 3,00 FLAT WASHER		01
06	0591014555	FRONT SUPPORT FIXING SPRING		01
07	0503010740	BOLT 1/2 UNC X 2 CS G.5 ZN		01
08	0591013448	SLEEVE 65,50 X 78 X 76 (PIN 2.1/2")		01



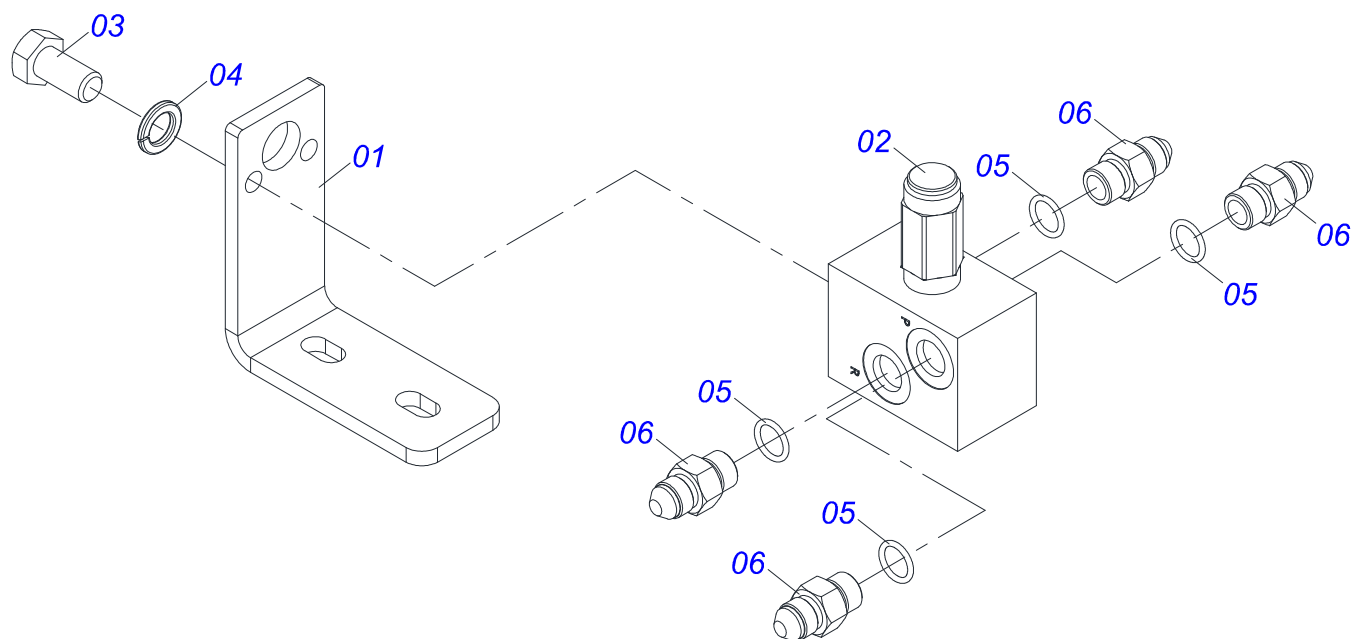
Item	Code	Description	See page	QT
01	0503062227	DRAWBAR JACK		01



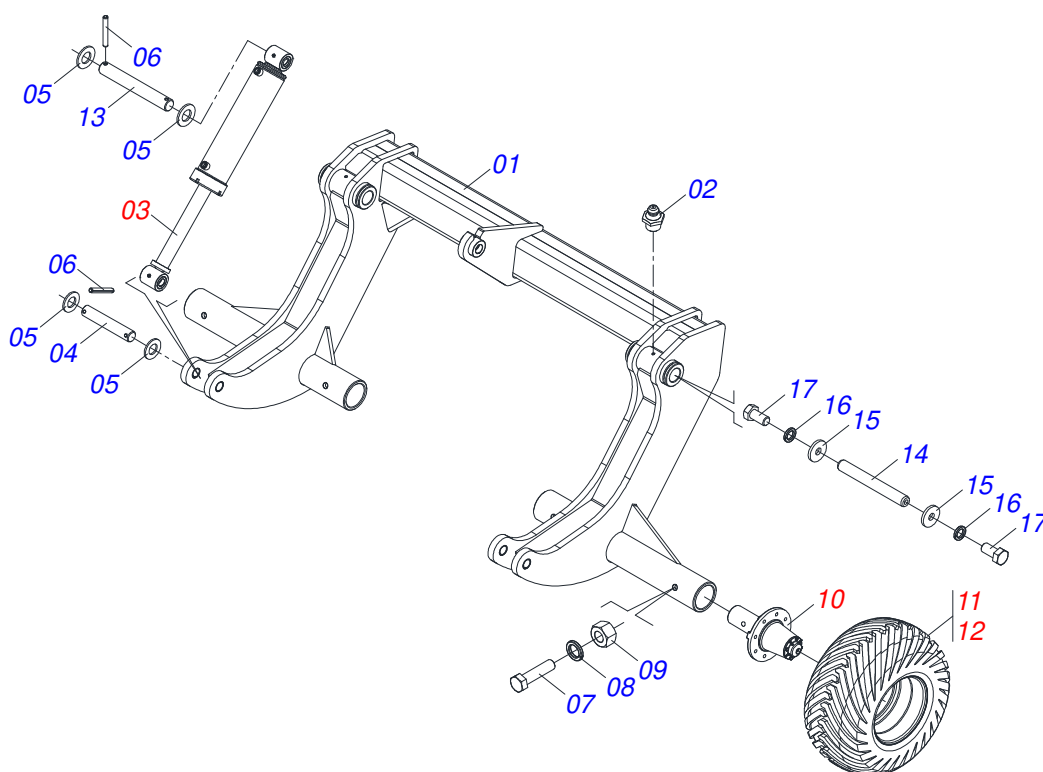
Item	Code	Description	See page	QT
01	0521065966	REAR HITCH		01
02	0521065965	FIXER CLAW		02
03	0501010064	BOLT 1" UNC X 9 CS G.5 ZN		08
04	0503010012	1" SPRING WASHER		08
05	0501010059	1.5/8 NUT		08
06	0503010217	501040 CLAMPING RING (FOR AXLE)		04
07	0501053835	FEMALE QUICK COUPLER	9	02



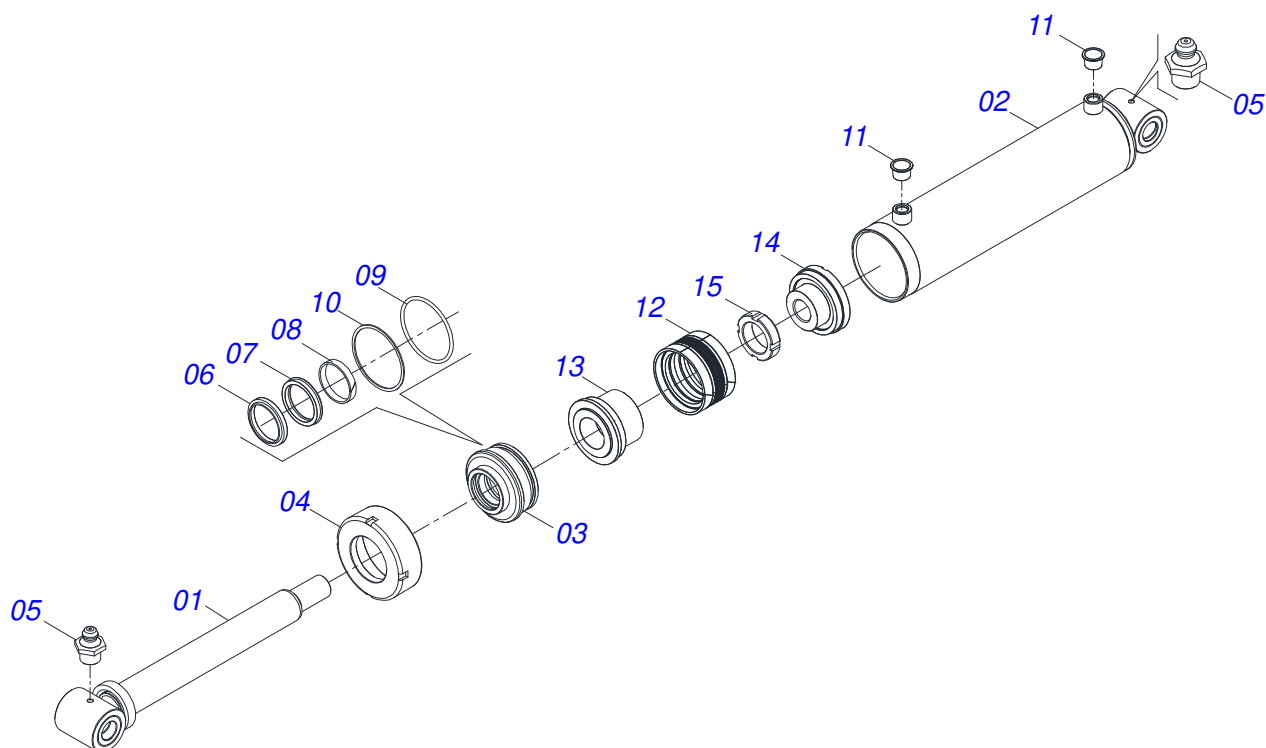
Item	Code	Description	See page	QT
01	0503011883	PLASTIC COVER		01
02	0503011628	FEMALE QUICK COUPLER		01



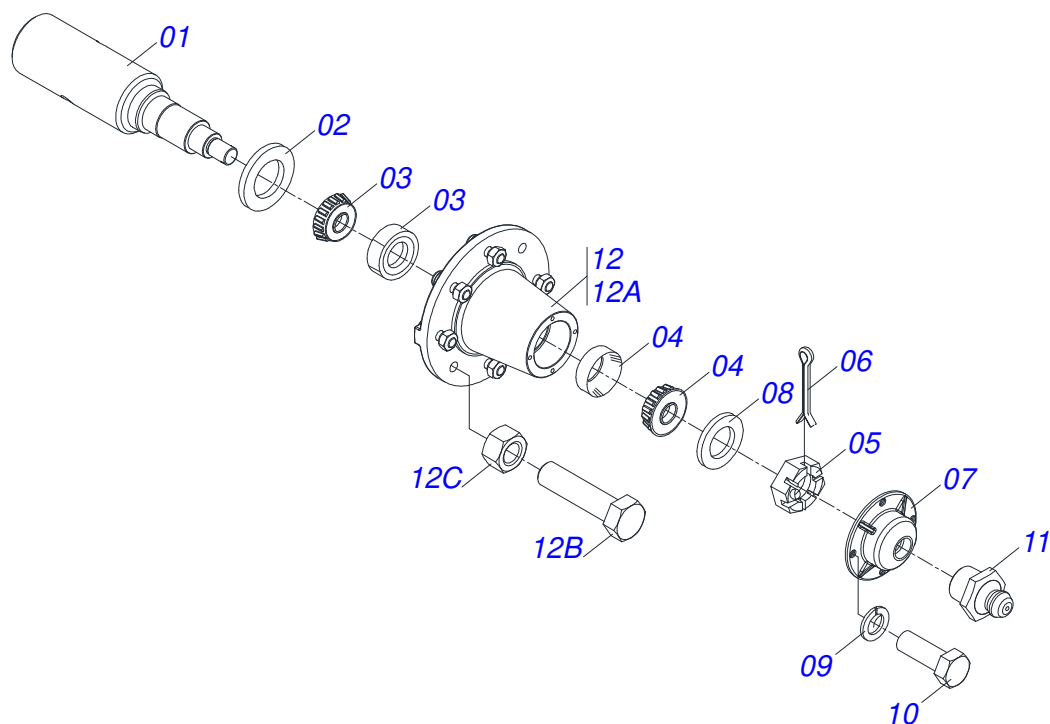
Item	Code	Description	See page	QT
01	0581011745	VALVE SUPPORT		01
02	0503010919	DISCHARGE VALVE		01
03	0503011334	3/8 UNC X 3/4 CS G.5 ZN BOLT		02
04	0503010025	3/8" SPRING WASHER		02
05	0503010190	2-114 N 3006-9B O'RING		04
06	0501010617	NIPLE 3/4" NF X 3/4" NF HEX. 7/8" X 44		04



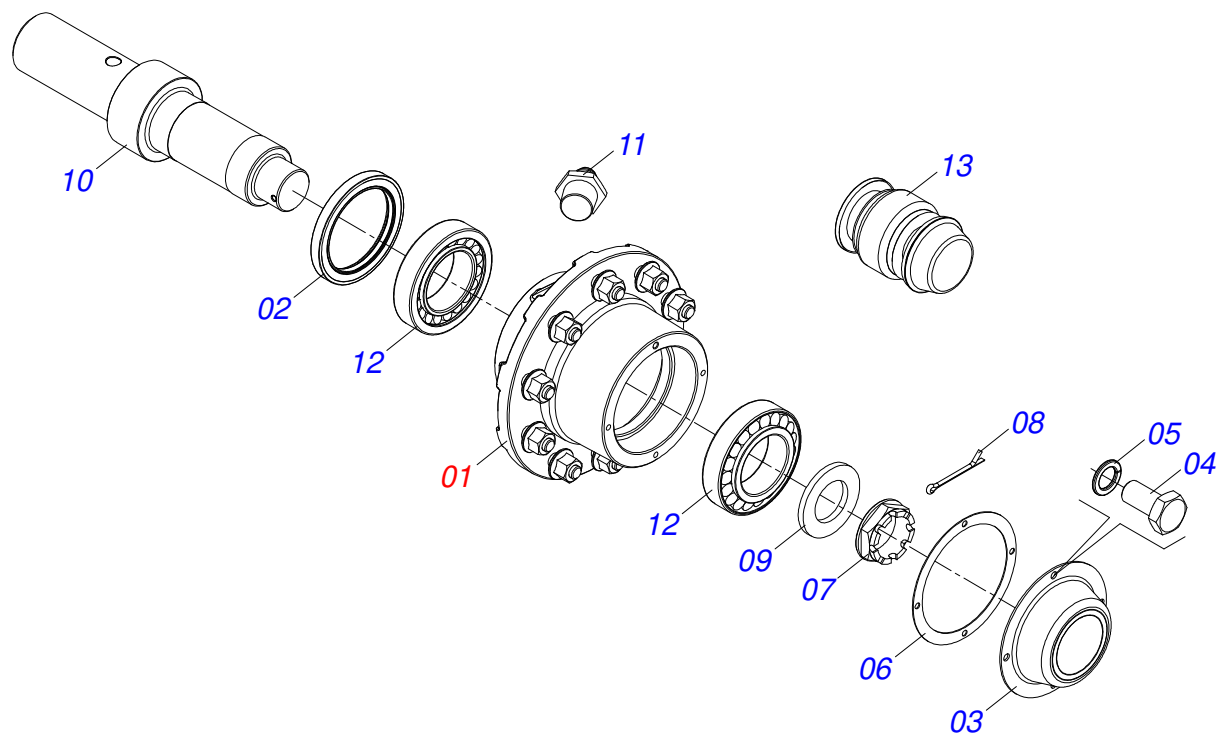
Item	Code	Description	See page	QT
01	0521066478	CARRYNG-WHEELS		01
02	0503010002	1800 GREASE FITTING		02
03	0521051832	HYDRAULIC CYLINDER 53,98 X 114,30 X 654 X 346	12	02
04	0531018101	1.2" X 6.3" PIVOT SHAFT		02
05	0501017779	FLAT WASHER 32 X 60 X 4,75		08
06	0503011877	0.3" X 2.4" SPRING PIN		08
07	0503011198	BOLT 3/4" UNC X 6" CS G.5		02
08	0503010023	3/4" SPRING WASHER		02
09	0503010014	3/4" ZN G.5 (HEAVY) UNC HEX NUT		02
10	0501056467	WHEEL WITHOUT TIRE	13	04
10.	0531051143	WHEEL WITHOUT TIRE 11.25INX8.62INX10F (HOLE 50)	14	04
11	0503060102	WHEEL AND TIRE 400/60 - 14L RIGHT	16	02
12	0503063403	WHEEL WITH TIRE 400/60 - 14L LEFT	17	02
13	0531018105	1.2" X 11.8" PIVOT SHAFT		02
14	0531018062	COUPLING SHAFT		02
15	0521011565	FLAT WASHER		04
16	0503010012	1" SPRING WASHER		04
17	0503011250	1" X 2" BOLT		04



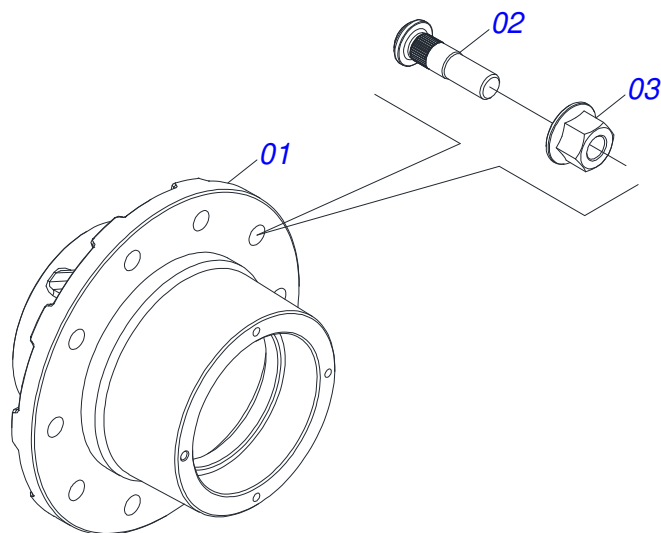
Item	Code	Description	See page	QT
01	0521061684	56,98 X 590,50 TURNBUCKLE		01
02	0521061685	114,30 X 500 CYLINDER CASE		01
03	0502012644	RING SUPPORT		01
04	0502011222	END CAP 4 . 1/2"		01
05	0503010002	1800 GREASE FITTING		02
06	0503015715	SCRAPER SEALING		01
07	0503015642	U-CUP SEALING RUUB000970		01
08	0503015641	WEAR RING		00
09	0503011892	O' RING, 2-346 N 3006-9B		01
10	0503011893	BACK-UP RING, 8-346		01
11	0503030384	PLUG N-001		02
12	0503015640	SEALING SELEMASTER		01
13	0561016578	PISTON BODY		01
14	0581015283	BODY		01
15	0503819100	SCREW		01
16	0511034304	HYDRAULIC CYLINDER REPAIR KIT (0521051832)		01



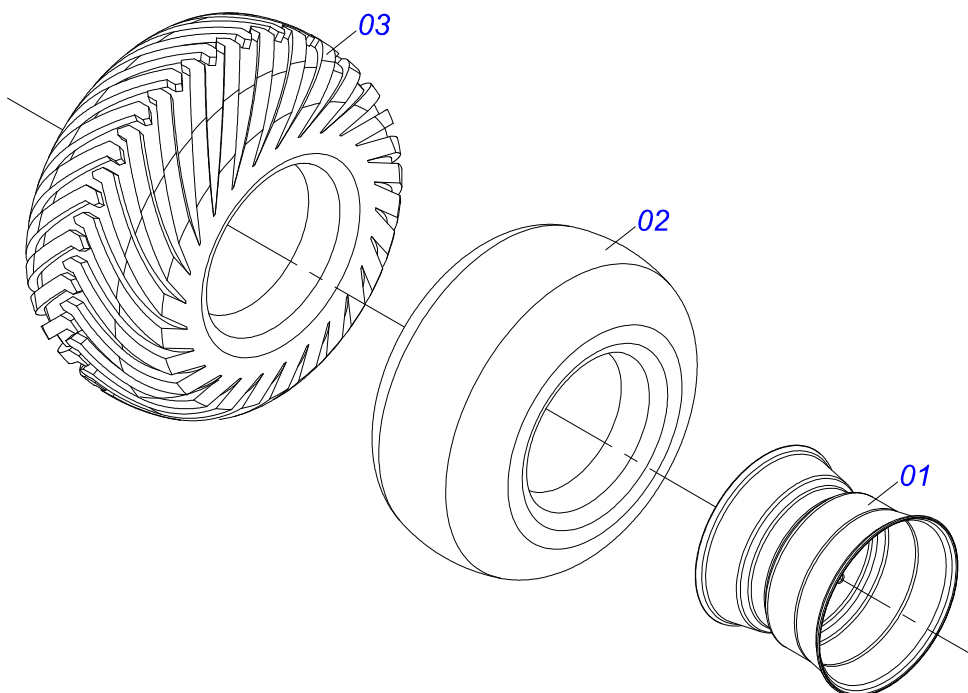
Item	Code	Description	See page	QT
01	0541016566	SPINDLE 3.1/2 X 375		01
02	0503013314	RETAINER 5166-GB 63,5 X 110 X 13 ARCA		01
03	0503015290	ROLLER BEARING 3780/3720		01
04	0503014821	ROLLER BEARING 2780/2720		01
05	0503830009	CASTLE NUT R 1 UNS 14FPP X 22 SA		01
06	0503010018	5/32" X 1-1/2" SPLIT PIN		01
07	0502020591	PROTECTION LID		01
08	0511812492	FLAT WASHER 28 X 46 X 6,30 AS		01
09	0503011444	SPRING WASHER 5/16"		04
10	0503810358	BOLT 5/16 UNC X 7/8" C S G.5 SA		04
11	0503010002	1800 GREASE FITTING		01
12	0501110738	CARRYING WHEEL HUB 21FT		01
12A	0502012260	TRANSPORT CARRYING-WHEEL HUB		01
12B	0501010186	WHEEL BOLT 5/8"UNF X 2.1/8CR		08
12C	0503010064	5/8 UNF CONIC NUT		08



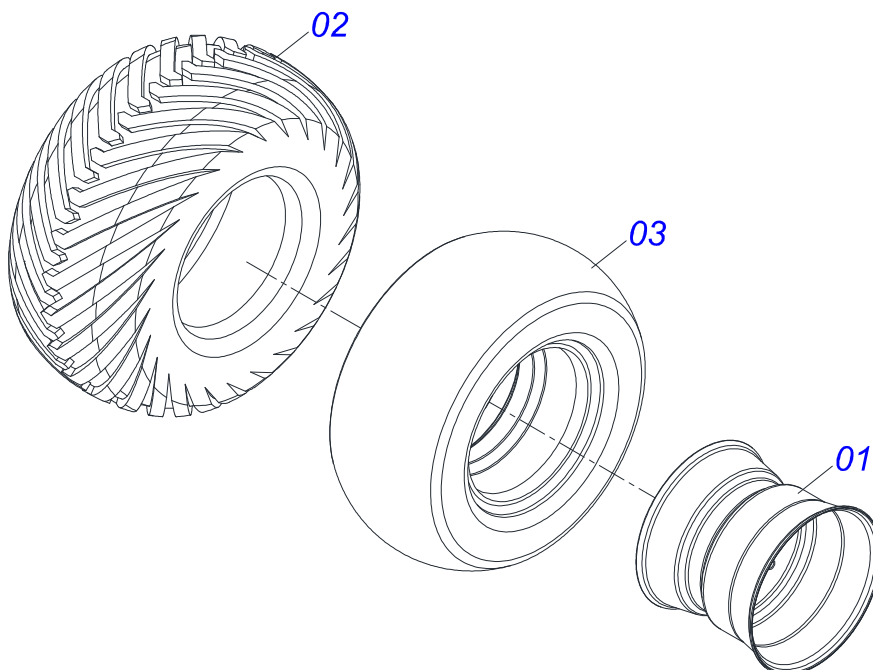
Item	Code	Description	See page	QT
01	0501111042	WHEEL CASE WITH SCREW	15	01
02	0503013541	REAR RETAINER 0310-BG AR22 1G25356		01
03	0503013549	HUB COVER		01
04	0503013546	BOLT SX MA5,8 M10X1,5X20ZA DI		04
05	0503013542	M10 SPRING WASHER		04
06	0503013548	JOINT CORK CR4F		01
07	0502040080	FLANGE NUT R.2.1/2" UN		01
08	0503012213	1/4" X 4" SPLIT PIN		01
09	0531019986	64 X 110 X 9.5 FLAT WASHER		01
10	0591018279	AXLE TIP R 2. 1/2 UN (FURO 50)		01
11	0503010002	1800 GREASE FITTING		01
12	0503013243	32218 ROLLER BEARING		02
13	1882970002	GREASE		01



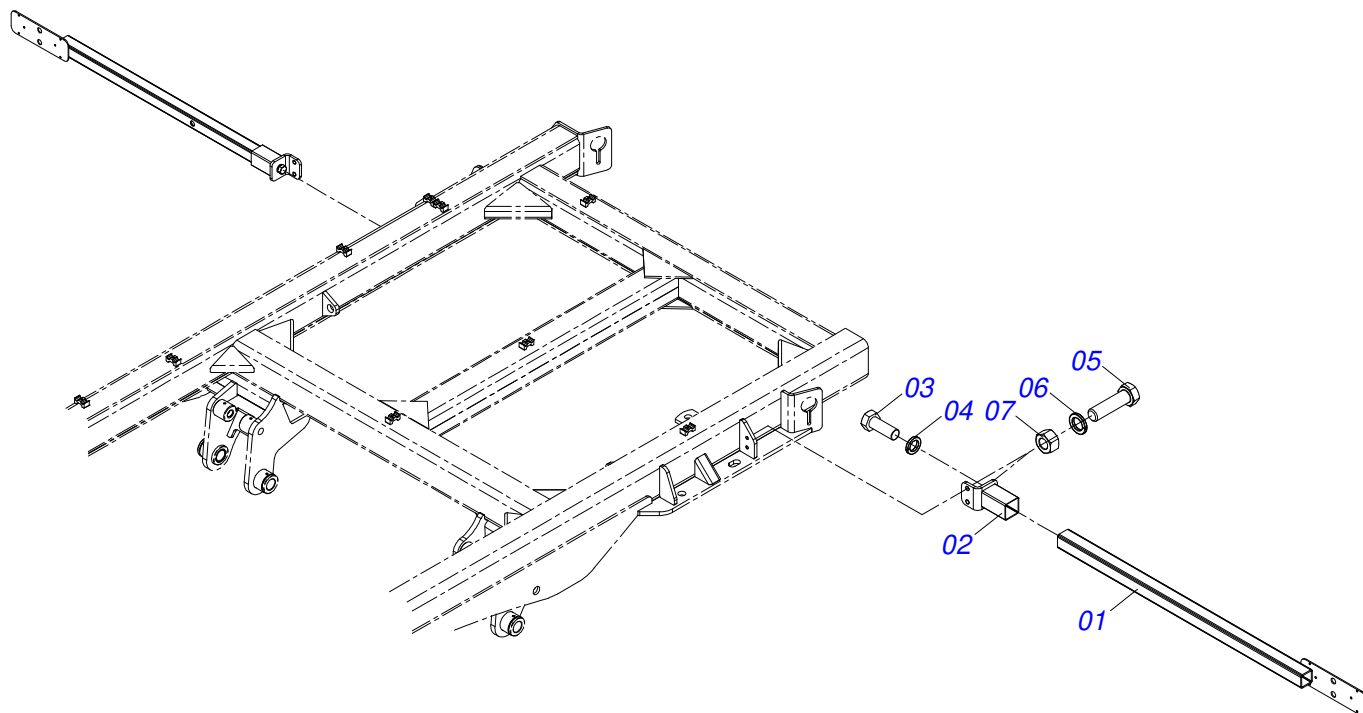
Item	Code	Description	See page	QT
01	0502012972	HUB		01
02	0503035269	CRA RDA UNF3/4 X 2.7/8 X 3.7/32 DIR R G8 BOLT		10
03	0503019871	HEXAGONAL NUT 3/4 UNF 16FPP FLANGEADA G8 SA		10



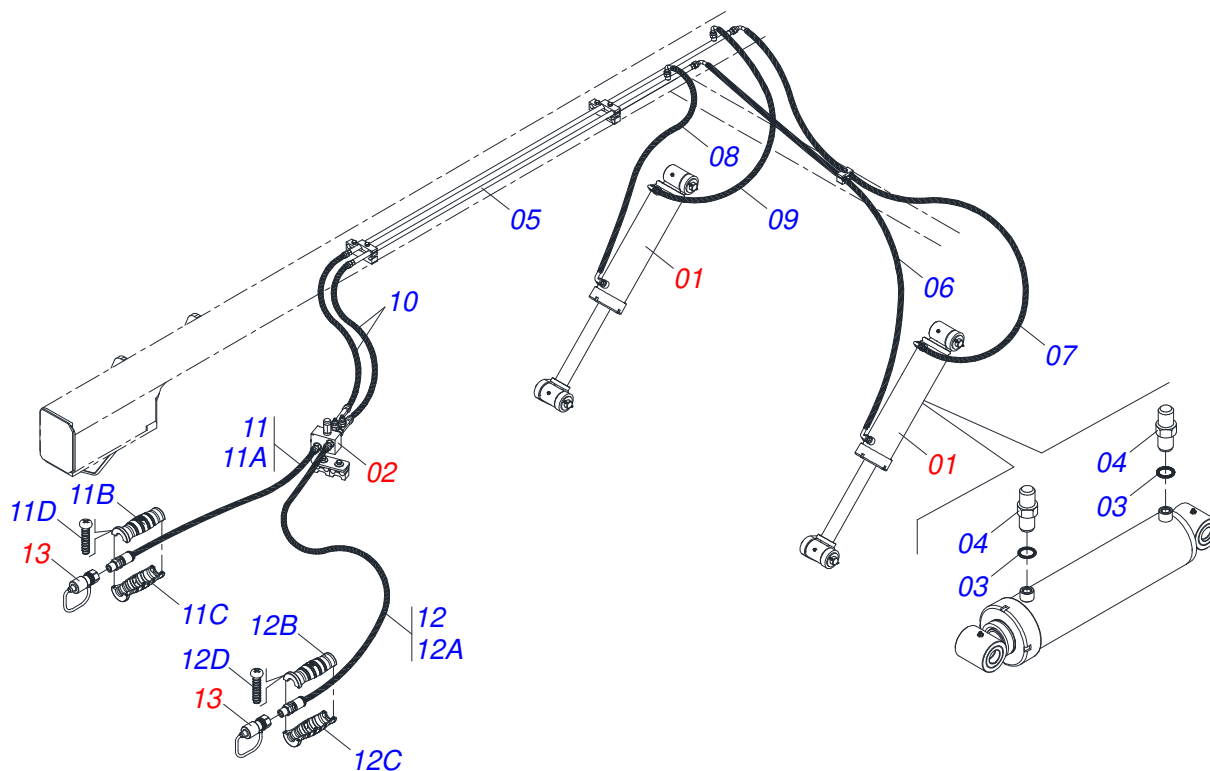
Item	Code	Description	See page	QT
01	0501069483	WHEEL 13 X 15,5 - 21FT		01
02	0503012112	400/60 - 15.5 TR 15 INNER TIRE		01
03	0503013119	CANVAS TIRE 400/60-15,5-T404-14L TRELEBORG		01



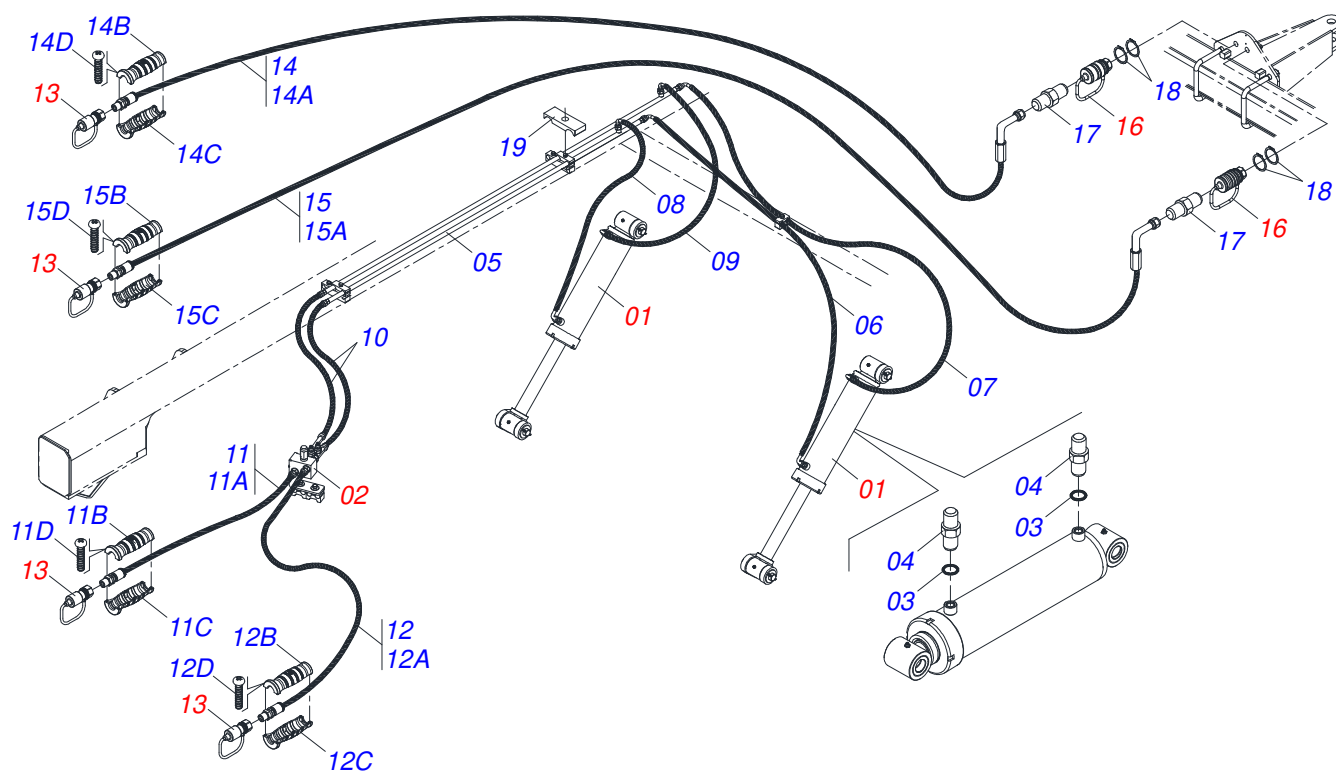
Item	Code	Description	See page	QT
01	0501069483	WHEEL 13 X 15,5 - 21FT		01
02	0503013119	CANVAS TIRE 400/60-15,5-T404-14L TRELEBORG		01
03	0503012112	400/60 - 15.5 TR 15 INNER TIRE		01



Item	Code	Description	See page	QT
01	0521066443	SUPPORT FIXER LANTERN		02
02	0521066624	FIXER SUPPORT LANTERN		02
03	0501010098	BOLT 3/4" UNC X 2 C S G.5 ZN		02
04	0503010023	3/4" SPRING WASHER		02
05	0503011082	C1/2" X 1.3/4" SCREW		04
06	0503010019	1/2" SPRING WASHER		04
07	0503010060	1/2 UNC G.5 ZN HEX NUT		04



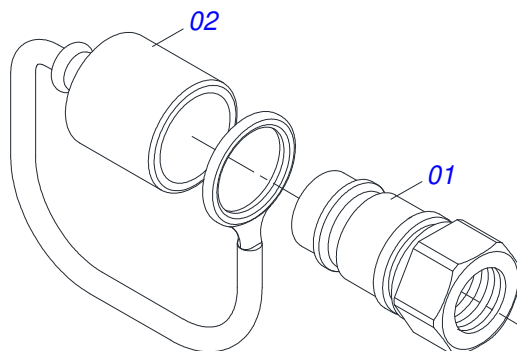
Item	Code	Description	See page	QT
01	0521051832	HYDRAULIC CYLINDER 53,98 X 114,30 X 654 X 346	12	02
02	0511059196	VALVE ASSY	10	01
03	0503010190	2-114 N 3006-9B O'RING		04
04	0501010617	NIPLE 3/4" NF X 3/4" NF HEX. 7/8" X 44		04
05	0521066937	OIL DISTRIBUTOR DUCT		02
06	0501080432	3/8" X 102" TC-TC HOSE		01
07	0501080393	3/8" X 86" TC-TC HOSE		01
08	0501080065	3/8" X 47" TC-TC HOSE		01
09	0501080931	3/8" X 39" TC-TC HOSE		01
10	0501080106	3/8" X 31" TR-TR HOSE		02
11	0521052495	3/8" X 216" TR-TM BLACK/RED HOSE		01
11A	0501080205	3/8" X 216" TR-TM HOSE		01
11B	0503034495	HYDRAULIC HOSE GRIP (RED)		01
11C	0503034492	HYDRAULIC HOSE GRIP (BLACK)		01
11D	0503018952	PH 2,5 X 10 ZB PLASTIC BOLT		06
12	0521052496	3/8" X 216" TR-TM BLACK/BLUE HOSE		01
12A	0501080205	3/8" X 216" TR-TM HOSE		01
12B	0503034494	HYDRAULIC HOSE GRIP (BLUE)		01
12C	0503034492	HYDRAULIC HOSE GRIP (BLACK)		01
12D	0503018952	PH 2,5 X 10 ZB PLASTIC BOLT		06
13	0501053834	MALE QUICK COUPLER	21	02



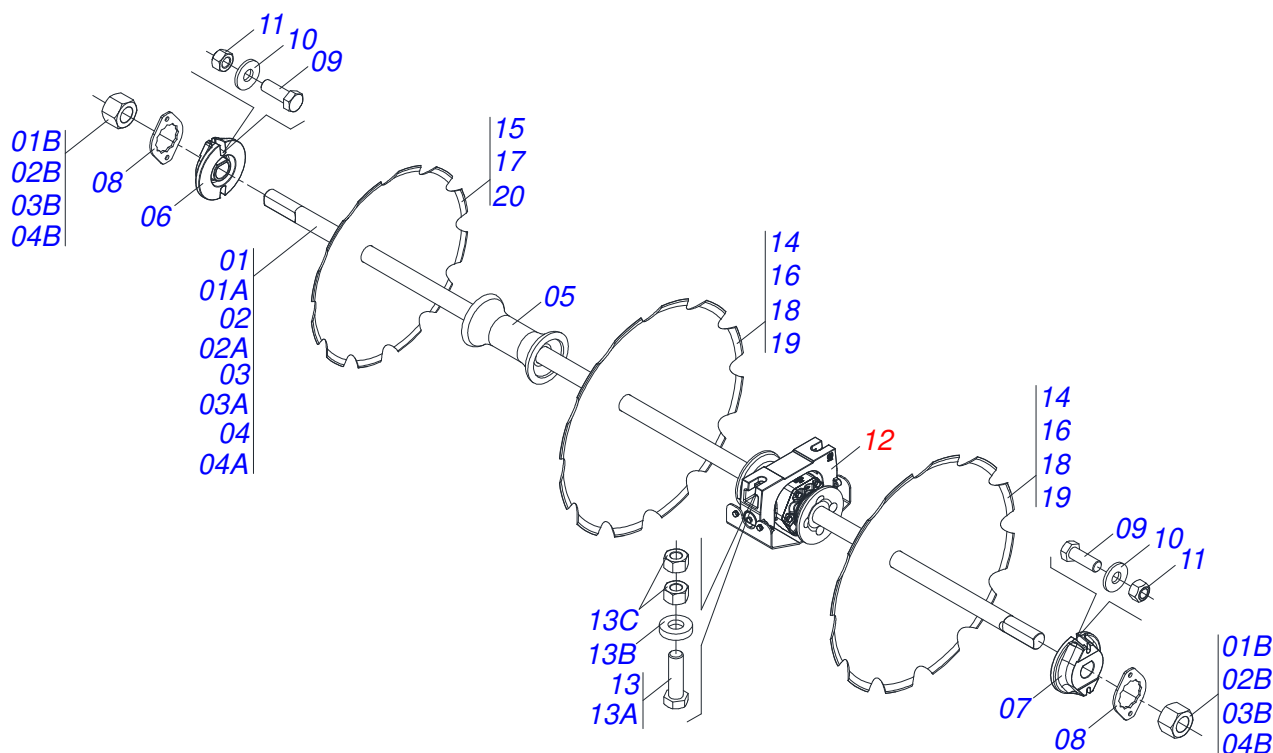
Item	Code	Description	See page	QT
01	0521051832	HYDRAULIC CYLINDER 53,98 X 114,30 X 654 X 346	12	02
02	0511059196	VALVE ASSY	10	01
03	0503010190	2-114 N 3006-9B O'RING		04
04	0501010617	NIPLE 3/4" NF X 3/4" NF HEX. 7/8" X 44		04
05	0521066937	OIL DISTRIBUTOR DUCT		02
06	0501080432	3/8" X 102" TC-TC HOSE		01
07	0501080393	3/8" X 86" TC-TC HOSE		01
08	0501080065	3/8" X 47" TC-TC HOSE		01
09	0501080931	3/8" X 39" TC-TC HOSE		01
10	0501080106	3/8" X 31" TR-TR HOSE		02
11	0521052495	3/8" X 216" TR-TM BLACK/RED HOSE		01
11A	0501080205	3/8" X 216" TR-TM HOSE		01
11B	0503034495	HYDRAULIC HOSE GRIP (RED)		01
11C	0503034492	HYDRAULIC HOSE GRIP (BLACK)		01
11D	0503018952	PH 2,5 X 10 ZB PLASTIC BOLT		06
12	0521052496	3/8" X 216" TR-TM BLACK/BLUE HOSE		01
12A	0501080205	3/8" X 216" TR-TM HOSE		01
12B	0503034494	HYDRAULIC HOSE GRIP (BLUE)		01
12C	0503034492	HYDRAULIC HOSE GRIP (BLACK)		01
12D	0503018952	PH 2,5 X 10 ZB PLASTIC BOLT		06
13	0501053834	MALE QUICK COUPLER	21	04
14	0521052430	3/8" X 472" TC-TM GRAY/RED HOSE		01
14A	0501082031	3/8" X 472" TC-TM HOSE		01
14B	0503034495	HYDRAULIC HOSE GRIP (RED)		01
14C	0503034489	HYDRAULIC HOSE GAUNTLET (GRAY)		01
14D	0503018952	PH 2,5 X 10 ZB PLASTIC BOLT		06
15	0521052457	3/8" X 472" TC-TM GRAY/BLUE HOSE		01
15A	0501082031	3/8" X 472" TC-TM HOSE		01
15B	0503034494	HYDRAULIC HOSE GRIP (BLUE)		01
15C	0503034489	HYDRAULIC HOSE GAUNTLET (GRAY)		01
15D	0503018952	PH 2,5 X 10 ZB PLASTIC BOLT		06
16	0501053835	FEMALE QUICK COUPLER	9	02



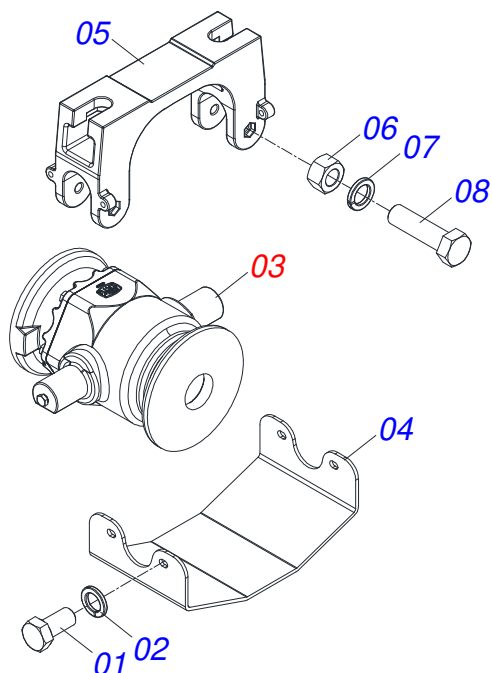
Item	Code	Description	See page	QT
17	0571015342	3/4" NIPLE		02
18	0503010217	501040 CLAMPING RING (FOR AXLE)		04
19	0502010477	HOSE CLAMP		09



Item	Code	Description	See page	QT
01	0503011627	MALE QUICK COUPLER AGR 1/2 NPT		01
02	0503011882	MALE QUICK COUPLER CAP		01

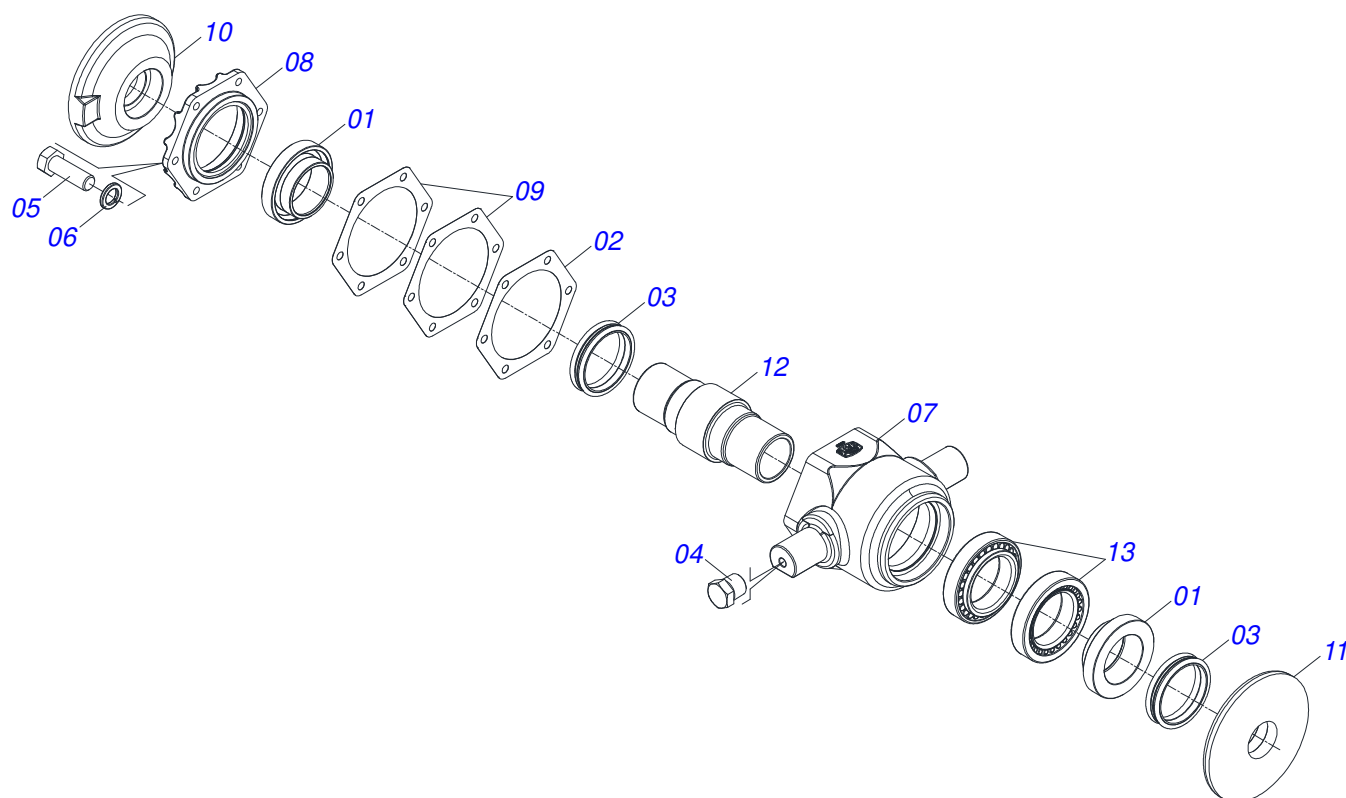


Item	Code	Description	See page	29	31	33	35	37
01	0511042421	2-1/2" X 91.7" AXLE WITH NUTS		03	01	00	00	01
01A	0541011893	2-1/2" X 91.7" AXLE		01	01	00	00	01
01B	0502040064	2-1/2" SNC X 70 99 NUT		02	02	00	00	02
02	0511042422	2-1/2" X 104" AXLE WITH NUTS		01	03	03	01	00
02A	0541011894	2-1/2" X 105" AXLE		01	01	01	01	00
02B	0502040064	2-1/2" SNC X 70 99 NUT		02	02	02	02	00
03	0521040322	2-1/2" X 118" AXLE WITH NUTS		00	00	01	03	00
03A	0571010424	2-1/2" X 117.91" AXLE		00	00	01	01	00
03B	0502040064	2-1/2" SNC X 70 99 NUT		00	00	02	02	00
04	0511042484	2-1/2" X 78" AXLE WITH NUTS		00	00	00	00	05
04A	0541012129	2-1/2" X 78" AXLE		00	00	00	00	01
04B	0502040064	2-1/2" SNC X 70 99 NUT		00	00	00	00	02
05	0502011425	13" X 2-1/2" SPACER		17	19	21	23	19
06	0502010593	2-1/2" EXTERNAL AXLE WASHER		04	04	04	04	06
07	0502010592	2-1/2" INNER AXLE WASHER		04	04	04	04	06
08	0541010368	NUT LOCK		08	08	08	08	12
09	0503010232	5/8" X 1.3/4" BOLT		16	16	16	16	24
10	0501012140	FLAT WASHER 16,50 X 40 X 4,00 ZN		16	16	16	16	24
11	0503012412	5/8" UNC SELF LOCKING NUT		16	16	16	16	24
12	0531041672	330 X 2.1/2 BEARING	23	08	08	08	08	12
13	0531040741	1-1/4" UNC X 5 BOLT ASSY		16	16	16	16	24
13A	0503011347	1-1/4" X 5" BOLT		01	01	01	01	01
13B	0571010448	32,50 X 75 X 16 SLEEVE		01	01	01	01	01
13C	0501010087	1.1/4" NUT		02	02	02	02	02
14	0602044033	DR 32 X 9,00 C115AF04FR2.9/16 10R		28	30	32	34	36
15	0602037127	DR 28 X 9,00 C102AF04FR2.9/16 10R		01	01	01	01	01
16	0602046001	DR 34 X 9,00 C120AF04FR2.9/16 12R		28	30	32	34	36
17	0602040108	DR 30 X 9,00 C105AF04FR2.9/16 10R		01	01	01	01	01
18	0602048004	DR 36 X 9,00 C126AF04FR2.9/16 12R		14	30	00	00	00
19	0602048063	DR 36 X 9,00 C130AF04FR2.9/16 12R		14	00	32	34	36
20	0602044033	DR 32 X 9,00 C115AF04FR2.9/16 10R		01	01	01	01	01



Item	Code	Description	See page	QT
01	0503010834	1/2 X 1 BOLT		04
02	0503010019	1/2" SPRING WASHER		04
03	0531053201	BEARING	24	01
04	0591011532	OSCILLATING BEARING COVER		01
05	0502013022	CENTRAL OSCILLATING BEARING SUPPORT		01
06	0503010013	5/8 UNC G.5 ZN HEX NUT		02
07	0503010027	5/8 SPRING WASHER		02
08	0503010480	5/8" X 4.3/4" BOLT		02

BEARING



Item	Code	Description	See page	QT
01	0502040119	SEAL RETAINER		02
02	0503035599	205 X 160,5 X 0,20 SEAL GASKET		01
03	0503030029	RETAINER LP JB-259		02
04	0503010856	OIL PLUG R 3/8 BSPT		02
05	0503010920	1/2 UNC X 1.1/2 C S G.5 ZN BOLT		06
06	0503011440	SPRING WASHER		06
07	0502013021	BEARING BOX		01
08	0502013005	BEARING HUB LID		01
09	0503035600	205 X 160,5 X 0,40 SEAL GASKET		02
10	0502012239	BEARING OUTER FLANGE		01
11	0502012238	BEARING INNER FLANGE		01
12	0502040204	AXLE		01
13	0503010482	594A/592A ROLLER BEARING		02



MARCHESAN

Technical Publications | Elaboration and Revision

LEONARDO JOSÉ DA SILVA SOUZA

www.marchesan.com.br

