

OFFSET DISK HARROW

GASPCR - 10/12/14/16/18/20/22D
GASPCR - 10/12/14/16/18/20/22D

Code: 0501093752
Series: S-1123
Revision: 00
Revision Date: FEBRUARY/2024

PARTS CATALOGUE



MARCHESAN



PRODUCTS

Code	Working Width	Description
0102090544C		GASPCR 10 X 32 X 12,00 DR DMO E 2.1/2 C/PROT EXP S-1123
0102090544		GASPCR 10 X 32 X 12,00 DR DMO E 2.1/2 C/PROT S-1123
0102090543		GASPCR 10 X 32 X 9,00 DR DMO E 2.1/2 C/PROT S-1123
0102090546		GASPCR 10 X 34 X 12,00 DR DMO E 2.1/2 C/PROT S-1123
0102090545		GASPCR 10 X 34 X 9,00 DR DMO E 2.1/2 C/PROT S-1123
0102090548		GASPCR 10 X 36 X 12,00 DR DMO E 2.1/2 C/PROT S-1123
0102090547		GASPCR 10 X 36 X 9,00 DR DMO E 2.1/2 C/PROT S-1123
0102090610		GASPCR 12 X 32 X 12,00 DR DMO E 2.1/2 C/PROT ESP S-1123
0102090563		GASPCR 12 X 32 X 12,00 DR DMO E 2.1/2 C/PROT S-1123
0102090600		GASPCR 12 X 32 X 12,00 DR DMO E 2.1/2 C/PROT TERR S-1123
0102090610C		GASPCR 12 X 32 X 12,00 DR DMO E2.1/2 C/PROT ESP EXP S-1123
0102090562		GASPCR 12 X 32 X 9,00 DR DMO E 2.1/2 C/PROT S-1123
0102090589		GASPCR 12 X 34 X 12,00 DR DMO E 2.1/2 C/PROT S-1123
0102090604		GASPCR 12 X 34 X 12,00 DR DMO E 2.1/2 C/PROT TERR S-1123
0102090587		GASPCR 12 X 34 X 9,00 DR DMO E 2.1/2 C/PROT S-1123
0102090590C		GASPCR 12 X 36 X 12,00 DR DMO E 2.1/2 C/PROT EXP S-1123
0102090590		GASPCR 12 X 36 X 12,00 DR DMO E 2.1/2 C/PROT S-1123
0102090606		GASPCR 12 X 36 X 12,00 DR DMO E 2.1/2 NAC USA S-1123
0102090588		GASPCR 12 X 36 X 9,00 DR DMO E 2.1/2 C/PROT S-1123
0102090601		GASPCR 14 X 32 X 12 DR DMO E 2.1/2 C/PROT TERR S-1123
0102090613		GASPCR 14 X 32 X 12,00 DMO E 2.1/2 ESP S-1123
0102090611		GASPCR 14 X 32 X 12,00 DR DMO E 2.1/2 C/PROT ESP S-1123
0102090565		GASPCR 14 X 32 X 12,00 DR DMO E 2.1/2 C/PROT S-1123
0102090611C		GASPCR 14 X 32 X 12,00 DR DMO E2.1/2 C/PROT ESP EXP S-1123
0102090564		GASPCR 14 X 32 X 9,00 DR DMO E 2.1/2 S-1123
0102090593		GASPCR 14 X 34 X 12,00 DR DMO E 2.1/2 C/PROT S-1123
0102090605		GASPCR 14 X 34 X 12,00 DR DMO E 2.1/2 C/PROT TERR S-1123
0102090591		GASPCR 14 X 34 X 9,00 DR DMO E 2.1/2 C/PROT S-1123
0102090584		GASPCR 14 X 36 X 12,00 DR DMO E 2.1/2 C/ENG3 USA S-1123
0102090594C		GASPCR 14 X 36 X 12,00 DR DMO E 2.1/2 C/PROT EXP S-1123

ATTENTION: IMPORTANT

Marchesan S.A. reserves the right to improve and/or modify the technical features of its products, without obligation to do the same with those products already sold and without prior knowledge of the dealer or the customer. The photos are only illustrative.



PRODUCTS

0102090594	GASPCR 14 X 36 X 12,00 DR DMO E 2.1/2 C/PROT S-1123
0102090617	GASPCR 14 X 36 X 12,00 DR DMO E 2.1/2 C/PROT S-1123
0102090592	GASPCR 14 X 36 X 9,00 DR DMO E 2.1/2 C/PROT S-1123
0102090567	GASPCR 16 X 32 X 12,00 DR DMO E 2.1/2 C/PROT S-1123
0102090602	GASPCR 16 X 32 X 12,00 DR DMO E 2.1/2 C/PROT TERR S-1123
0102090566	GASPCR 16 X 32 X 9,00 DR DMO E 2.1/2 C/PROT S-1123
0102090579	GASPCR 16 X 34 X 12,00 DR DMO E 2.1/2 C/PROT S-1123
0102090603	GASPCR 16 X 34 X 12,00 DR DMO E 2.1/2 C/PROT TERR S-1123
0102090578	GASPCR 16 X 34 X 9,00 DR DMO E 2.1/2 C/PROT S-1123
0102090585	GASPCR 16 X 36 X 12,00 DR DMO E 2.1/2 C/ENG3 USA S-1123
0102090581C	GASPCR 16 X 36 X 12,00 DR DMO E 2.1/2 C/PROT EXP S-1123
0102090615	GASPCR 16 X 36 X 12,00 DR DMO E 2.1/2 C/PROT S-1123
0102090581	GASPCR 16 X 36 X 12,00 DR DMO E 2.1/2 C/PROT S-1123
0102090607	GASPCR 16 X 36 X 12,00 DR DMO E 2.1/2 USA ESP S-1123
0102090580	GASPCR 16 X 36 X 9,00 DR DMO E 2.1/2 C/PROT S-1123
0102090595	GASPCR 16 X 36 X 9,00 DR DMO E 2.1/2 NAC USA S-1123
0102090577	GASPCR 16 X 36 X 9,00 DR DMO E 2.1/2 S/PN C/PROT S-1123
0102090612C	GASPCR 18 X 32 X 12,00 DR DMO E 2.1/2 C/PROT ESP EXP S-1123
0102090612	GASPCR 18 X 32 X 12,00 DR DMO E 2.1/2 C/PROT ESP S-1123
0102090550C	GASPCR 18 X 32 X 12,00 DR DMO E 2.1/2 C/PROT EXP S-1123
0102090550	GASPCR 18 X 32 X 12,00 DR DMO E 2.1/2 C/PROT S-1123
0102090569	GASPCR 18 X 32 X 12,00 DR DMO E 2.1/2 C/PROT UR S-1123
0102090549	GASPCR 18 X 32 X 9,00 DR DMO E 2.1/2 C/PROT S-1123
0102090568	GASPCR 18 X 32 X 9,00 DR DMO E 2.1/2 C/PROT UR S-1123
0102090552	GASPCR 18 X 34 X 12,00 DR DMO E 2.1/2 C/PROT S-1123
0102090598	GASPCR 18 X 34 X 12,00 DR DMO E 2.1/2 PN11L15 C/PROT S-1123
0102090551	GASPCR 18 X 34 X 9,00 DR DMO E 2.1/2 C/PROT S-1123
0102090554C	GASPCR 18 X 36 X 12,00 DR DMO E 2.1/2 C/PROT EXP S-1123
0102090554	GASPCR 18 X 36 X 12,00 DR DMO E 2.1/2 C/PROT S-1123
0102090576	GASPCR 18 X 36 X 12,00 DR DMO E 2.1/2 S/PN C/PROT S-1123
0102090553	GASPCR 18 X 36 X 9,00 DR DMO E 2.1/2 C/PROT S-1123

ATTENTION: IMPORTANT

Marchesan S.A. reserves the right to improve and/or modify the technical features of its products, without obligation to do the same with those products already sold and without prior knowledge of the dealer or the customer. The photos are only illustrative.



PRODUCTS

0102090556	GASPCR 20 X 32 X 12,00 DR DMO E 2.1/2 C/PROT S-1123
0102090571	GASPCR 20 X 32 X 12,00 DR DMO E 2.1/2 C/PROT UR S-1123
0102090596	GASPCR 20 X 32 X 12,00 DR DMO E 2.1/2 C/PROT USA S-1123
0102090555	GASPCR 20 X 32 X 9,00 DR DMO E 2.1/2 C/PROT S-1123
0102090570	GASPCR 20 X 32 X 9,00 DR DMO E 2.1/2 C/PROT UR S-1123
0102090558	GASPCR 20 X 34 X 12,00 DR DMO E 2.1/2 C/PROT S-1123
0102090557	GASPCR 20 X 34 X 9,00 DR DMO E 2.1/2 C/PROT S-1123
0102090560C	GASPCR 20 X 36 X 12,00 DR DMO E 2.1/2 C/PROT EXP S-1123
0102090560	GASPCR 20 X 36 X 12,00 DR DMO E 2.1/2 C/PROT S-1123
0102090599	GASPCR 20 X 36 X 12,00 DR DMO E 2.1/2 C/PROT TERR S-1123
0102090597	GASPCR 20 X 36 X 12,00 DR DMO E 2.1/2 C/PROT USA S-1123
0102090586	GASPCR 20 X 36 X 12,00 DR DMO E 2.1/2 S/PN C/PROT S-1123
0102090608	GASPCR 20 X 36 X 12,00 DR DMO E 2.1/2 S/SIST C/PROT S-1123
0102090559C	GASPCR 20 X 36 X 9,00 DR DMO E 2.1/2 C/PROT EXP S-1123
0102090559	GASPCR 20 X 36 X 9,00 DR DMO E 2.1/2 C/PROT S-1123
0102090609	GASPCR 20 X 38 X 12,00 DR DMO E 2.1/2 C/PROT S-1123
0102090572	GASPCR 22 X 32 X 9,00 DR DMO E 2.1/2 C/PROT S-1123
0102090574	GASPCR 22 X 34 X 12,00 DR DMO E 2.1/2 C/PROT S-1123
0102090573	GASPCR 22 X 34 X 9,00 DR DMO E 2.1/2 C/PROT S-1123
0102090575C	GASPCR 22 X 36 X 12,00 DR DMO E 2.1/2 C/PROT EXP S-1123
0102090575	GASPCR 22 X 36 X 12,00 DR DMO E 2.1/2 C/PROT S-1123
0102090614C	GASPCR 22 X 36 X 12,00 DR DMO E 2.1/2 C/PROT S/P EXP S-1123
0102090614	GASPCR 22 X 36 X 12,00 DR DMO E 2.1/2 C/PROT S/P S-1123
0102090582	GASPCR 22 X 36 X 12,00 DR DMO E 2.1/2 C/PROT S/PN S-1123
0102090583C	GASPCR 22 X 36 X 12,00 DR DMO E 2.1/2 S/PN ALQ EXP S-1123
0102090583	GASPCR 22 X 36 X 12,00 DR DMO E 2.1/2 S/PN ALQ S-1123
0102090561	GASPCR 22 X 36 X 9,00 DR DMO E 2.1/2 C/PROT S-1123
0102090616	GASPCR 22 X 38 X 12,00 DR DMO E 2.1/2 C/PROT S-1123

ATTENTION: IMPORTANT

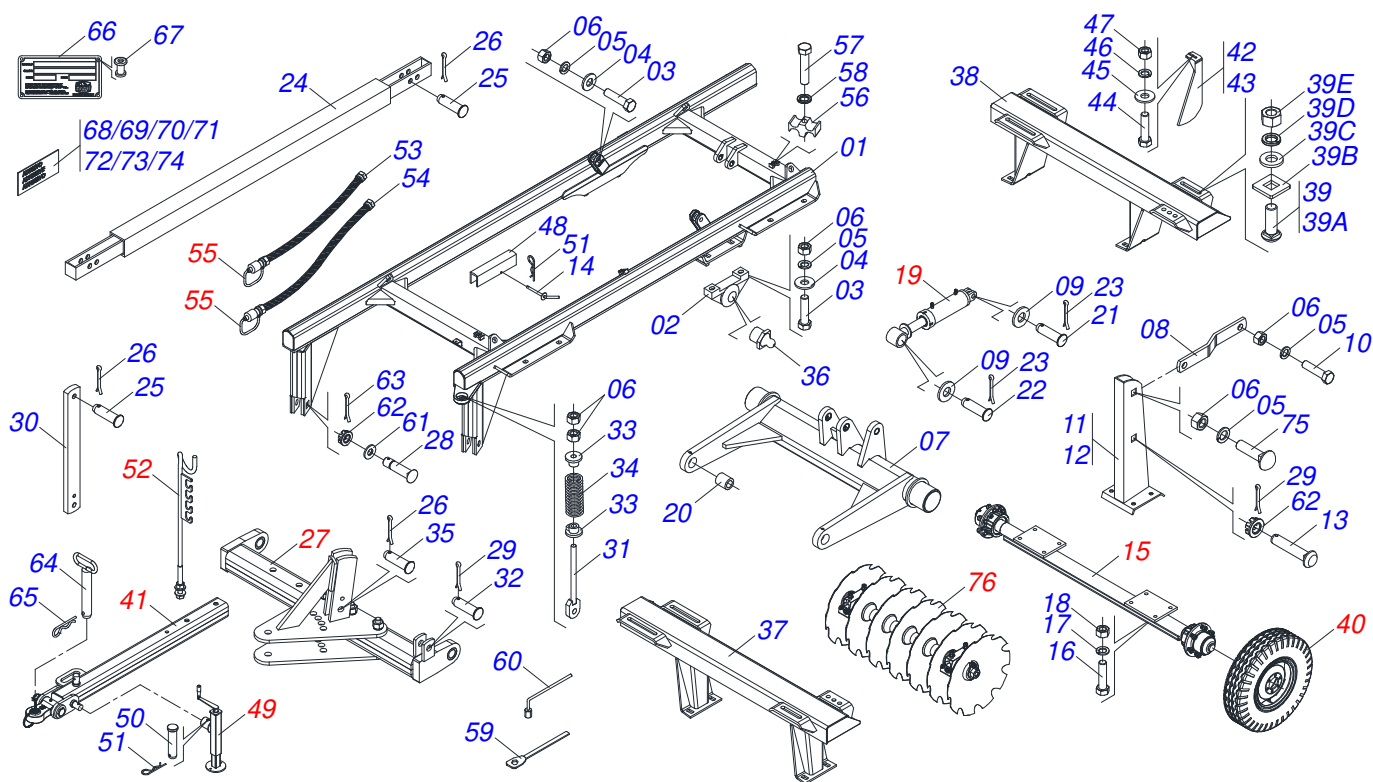
Marchesan S.A. reserves the right to improve and/or modify the technical features of its products, without obligation to do the same with those products already sold and without prior knowledge of the dealer or the customer. The photos are only illustrative.



MARCHESAN

INDEX

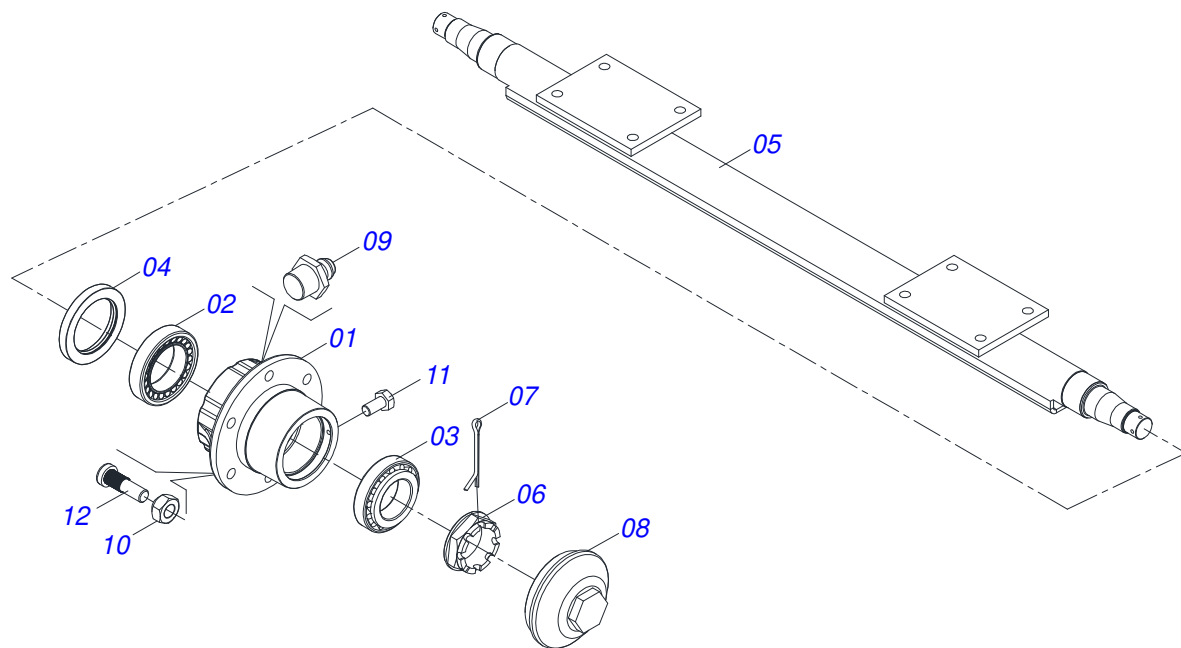
0909097096	FRAME ASSY - 10D	1
0501047937	3" X 73.2" STUB SHAFT & HUB ASSY	2
0501044309	2.0" X 5" X 20" X 10" HYDRAULIC CYLINDER	3
0511040013	OFFSET BAR ASSY	4
0503060046	WHEEL WITH TIRE 900 X 20-14L ASSY	5
0521048502	TRACTION BAR ASSY	6
0521057520	HITCH ASSY	7
0503062157	DRAWBAR JACK	8
0501040257	3/4" X 38" HOSE SUPPORT ASSY	9
0501053834	MALE QUICK COUPLER	10
0909097097	ASSY FRAME - 12/14/16/18/20/22D	11
0503060213	WHEEL WITH TIRE 35.4" X 0.80" / 14 CANVAS	12
0503060244	WHEEL WITH TIRE 11L-15 10L 8F ASSY	13
0501047810	3-1/2" X 84.1" STUB SHAFT & HUB	14
0501051885	CARRYING-WHEELS	15
0511059181	HYDRAULIC CYLINDER 50,80 X 101,60 X 515 X 248	16
0501046307	DRAWBAR ASSY	17
0511041570	DRAWBAR ASSY 3"	18
0511048088	DRAWBAR JACK	19
0909097098	DISC GANG - 10D	20
0909097099	DISC GANG - 12/14/16/18/20/22D	21
0531041587	430 X 2.1/2 AGRICULTURAL BEARING WITH PROTECTION SUPPORT	22
0531052867	430 X 2.1/2 AGRICULTURAL BEARING	23



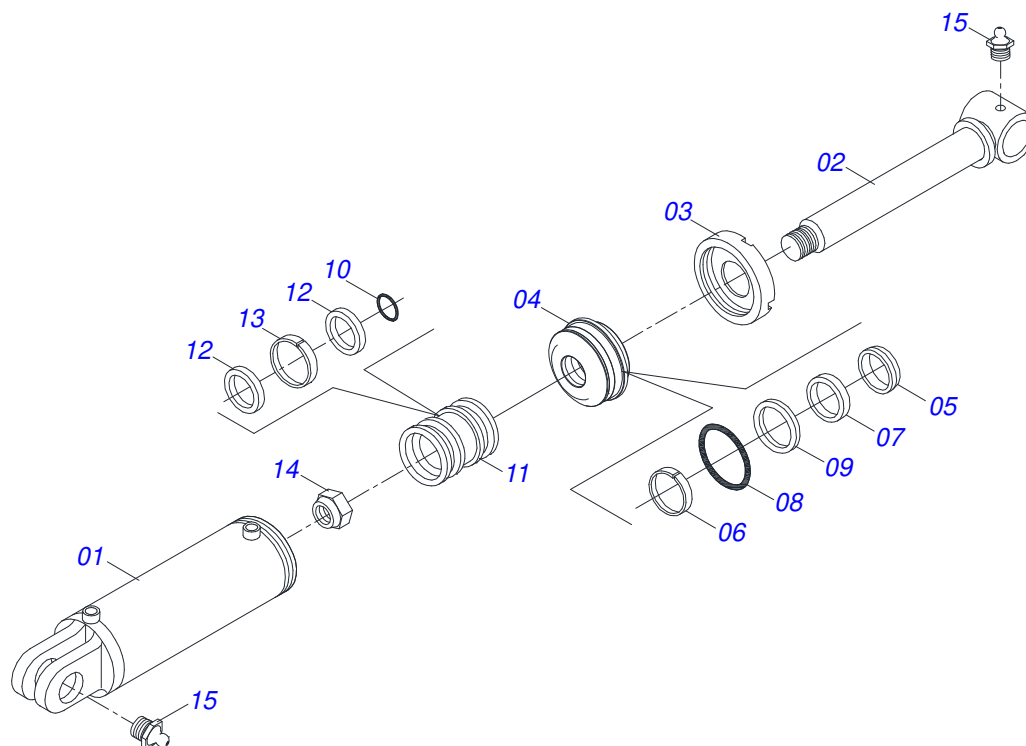
Item	Code	Description	See page	QT
01	0501067011	CENTER FRAME		01
02	0502010972	ARTICULATION BEARING		02
03	0503011432	BOLT		04
04	0501010065	1" SPRING WASHER		04
05	0503011438	SPRING WASHER		08
06	0501010059	1.5/8 NUT		10
07	0501068210	CARRYING-WHEELS		01
08	0501110404	SUPPORT BAR		02
09	0501017779	FLAT WASHER 32 X 60 X 4,75		02
10	0503011432	BOLT		02
11	0501068260	RIGHT SUSPENSION TOWER		01
12	0501068261	LEFT SUSPENSION TOWER		01
13	0511018006	1-1/2 X 4.13" U BOLT OF SUSP TOWER		02
14	0501068994	8,30 X 78 LOCK PIN		01
15	0501047937	3" X 73.2" STUB SHAFT & HUB ASSY	2	01
16	0501010125	3/4" X 2-1/2" BOLT		08
17	0503010023	3/4" SPRING WASHER		08
18	0503010014	3/4" ZN G.5 (HEAVY) UNC HEX NUT		08
19	0501044309	2.0" X 5" X 20" X 10" HYDRAULIC CYLINDER	3	01
20	0521010737	50,4/50,6X 38,5 X 35 SLEEVE		02
21	0511810174	COUPLING SHAFT		01
22	0521010547	1.2" X 6.5" COUPLING SHAFT		01
23	0503010523	1/4" X 2" SPLIT PIN		02
24	0501066222	STABILIZER BAR		01
25	0521010575	C0.9" X 3.3" COUPLING SHAFT		02
26	0503010571	1/4" X 1.1/2" SPLIT PIN		03
27	0511040013	OFFSET BAR ASSY	4	01
28	0551013708	COUPLING SHAFT		02
29	0503010010	SPLIT PIN 1/4" X 2.1/2"		02
30	0511012972	STABILIZER BAR TOWER		01

FRAME ASSY - 10D

Item	Code	Description	See page	QT
31	0501066240	SPRING ROD		01
32	0521010592	1.1" X 3.1" COUPLING SHAFT		01
33	0502020392	SPRING SUPPORT		02
34	0503030441	12.7" X 5.7" X 0.5"SPRING		01
35	0521010576	0.9" X 3.7" COUPLING SHAFT		01
36	0503010002	1800 GREASE FITTING		04
37	0501060550	FRONT FRAME - 10		01
38	0501060551	REAR FRAME - 10		01
39	0501040877	C1" X 3-1/4" BOLT ASSY		08
39A	0501010171	BOLT 1 UNC X 3.1/2 C S G.5		08
39B	0502012861	1" SQUARE WASHER		08
39C	0501010065	1" SPRING WASHER		08
39D	0503010012	1" SPRING WASHER		08
39E	0501010059	1.5/8 NUT		08
40	0503060046	WHEEL WITH TIRE 900 X 20-14L ASSY	5	02
41	0521048502	TRACTION BAR ASSY	6	01
42	0501060423	FRONT SCRAPER		05
43	0501060424	REAR SCRAPER		05
44	0503010233	5/8" X 2-1/2" BOLT		10
45	0501012140	FLAT WASHER 16,50 X 40 X 4,00 ZN		10
46	0503010027	5/8 SPRING WASHER		10
47	0503010013	5/8 UNC G.5 ZN HEX NUT		10
48	0501066386	TRANSPORT LOCK 9.54"		01
49	0503062157	DRAWBAR JACK	8	01
50	0521010549	COUPLING SHAFT		01
51	0503030168	HITCH PIN CLIP		02
52	0501040257	3/4" X 38" HOSE SUPPORT ASSY	9	01
53	0501080476	3/8" X 26" TC-TM HOSE		01
54	0501080477	3/8" X 276.06" TC-TM HOSE		01
55	0501053834	MALE QUICK COUPLER	10	02
56	0502012702	BODY SUPPORT CLAMP		03
57	0503012555	SCREW 7/16 UNC X 2 CS RT G.7 ZN		03
58	0503010180	7/16" SPRING WASHER		03
59	0501316941	KEY 2.1/8 AND 2.1/2		02
60	0501061045	1" WRENCH CYLINDRICAL		01
61	0511019880	FLAT WASHER		02
62	0501011301	1.1/2" UNC 6FPP 2.5/16" NUT		04
63	0503010010	SPLIT PIN 1/4" X 2.1/2"		02
64	0501069080	COUPLING SHAFT		01
65	0503031035	HITCH PIN CLIP		01
66	0503034003	61 X 118 SERIAL NUMBER TAG		01
67	0503010001	RIVET 3,2 X 5,5		04
68	0503060832	SET LABEL ADHESIVE		01
69	0503034078	LIFTING POINTS DECAL		01
70	0503031738	WARNING DECAL		01
71	0503031739	DANGER DECAL		01
72	0503031428	READ MANUAL DECAL		01
73	0503031827	LUBRICATE AND RETIGHTEN DAILY DECAL		01
74	0503031087	AUTO CONTROL APPROVED DECAL		01
75	0511017974	1" U BOLT SUSPENSION TOWER		02
76		DISC GANG - 10D	20	

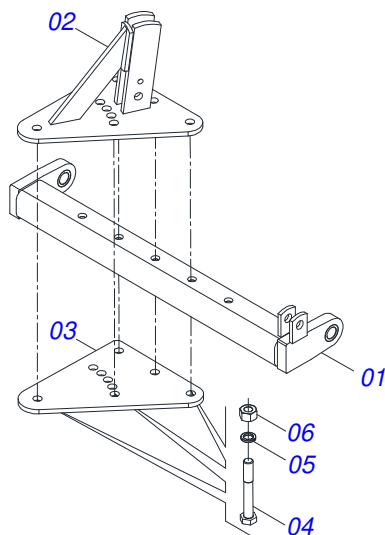


Item	Code	Description	See page	QT
01	0502011389	HUB		02
02	0503010006	32210 ROLLER BEARING		02
03	0503010005	32212 ROLLER BEARING		02
04	0503011866	SEAL 00573-B WITH HOLE		02
05	0501066915	3" X 71" AXLE		01
06	0501010888	1.3/4" 2.5/16" CASTLE NUT		02
07	0503010010	SPLIT PIN 1/4" X 2.1/2"		02
08	0502020593	PROTECTION LID		02
09	0503010002	1800 GREASE FITTING		02
10	0503010064	5/8 UNF CONIC NUT		12
11	0503010295	SCREW 5/16 UNC X 5/8 CS G.2 ZN		02
12	0501010186	WHEEL BOLT 5/8"UNF X 2.1/8CR		12

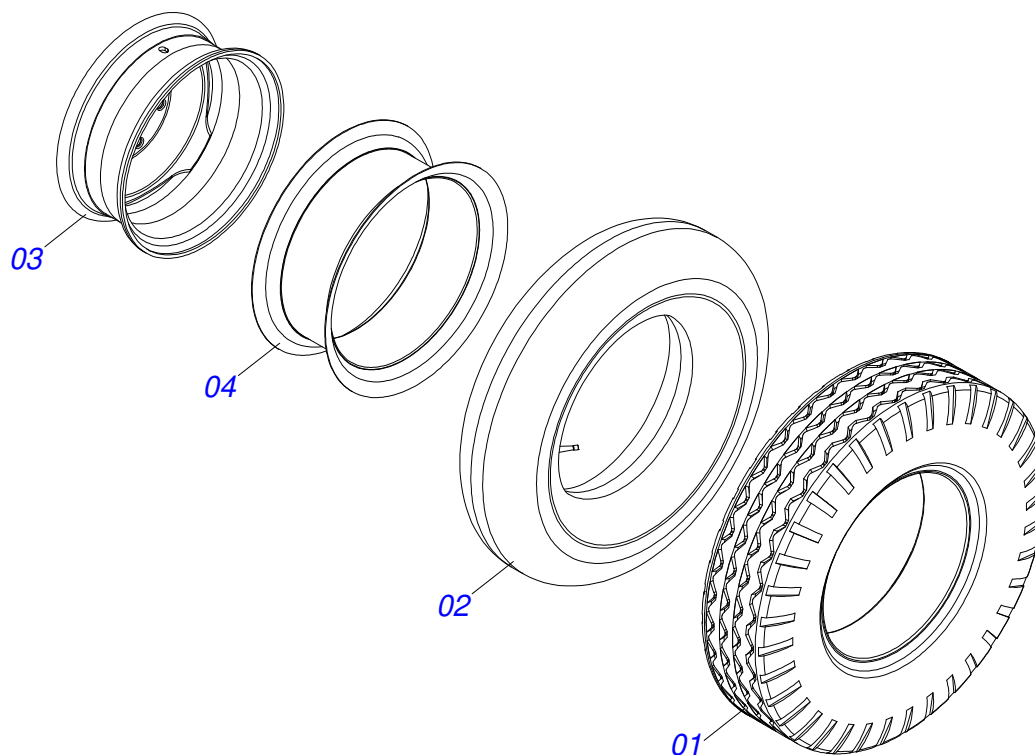


Item	Code	Description	See page	QT
01	0501069075	BODY 127 X 424		01
02	0501068963	HYDRAULIC CYLINDER TURNBUCKLE		01
03	0502010382	5" END CAP		01
04	0502012227	2" X 5" RING SUPPORT		01
05	0503010039	D-2000 SCRAPER RING		01
06	0503010952	W2-2250-500 RING		01
07	0503010991	1870-2000-375-B GASKET		01
08	0503010351	2-425 N 3006-9B O'RING		01
09	0503011062	8-425 BACK-UP RING		01
10	0503010345	2-218 N 3006-9B O'RING		01
11	0502010963	2.0" X 5.0" PISTON		01
12	0503010552	PACKING 3750-4250-625-B		02
13	0503010974	W2-5000-500 RING		01
14	0503010817	SELF LOCKING NUT 1.1/4 UNF ALTA G.5 ZN		01
15	0503010002	1800 GREASE FITTING		02
16	0501031961	HYDRAULIC CYLINDER REPAIR KIT		01

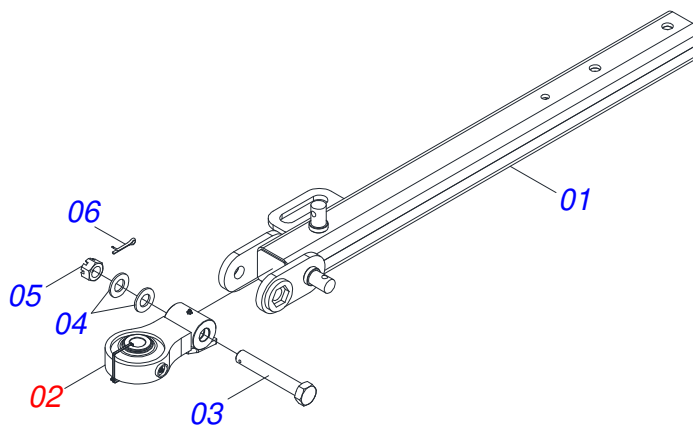
OFFSET BAR ASSY



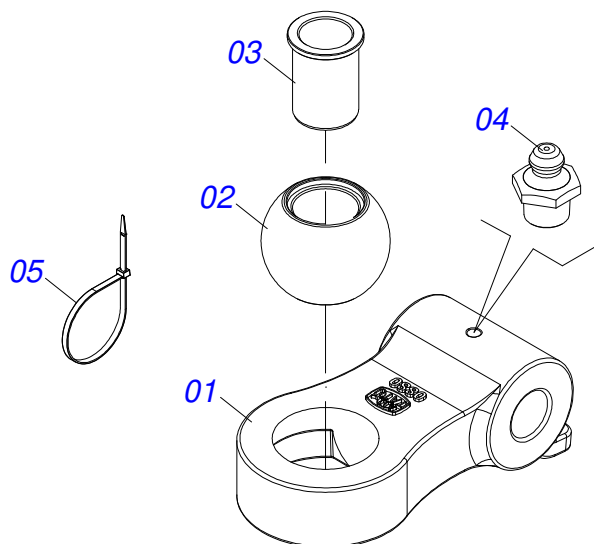
Item	Code	Description	See page	QT
01	0501066223	OFFSET BAR		01
02	0501066235	UPPER PLATE WITH SUPPORT		01
03	0511013000	UPPER /LOWER PLATE		01
04	0501010334	1" X 7" BOLT		05
05	0503011438	SPRING WASHER		05
06	0501010059	1.5/8 NUT		05



Item	Code	Description	See page	QT
01	0503010494	9.0LX 20" X 14 PLY, TIRE		01
02	0503010057	INNER TIRE		01
03	0501063939	2.6"X0.8"X5.1"X 6F0.75"X6.8" WHEEL		01
04	0503010470	PROTECTION		01

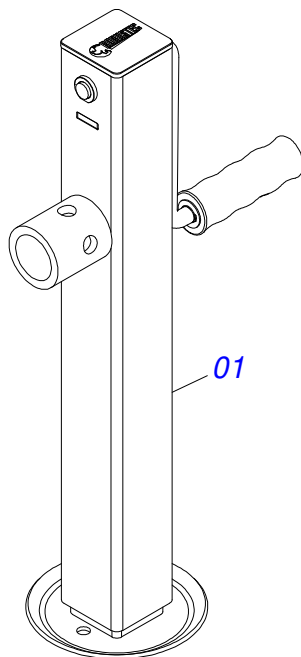


Item	Code	Description	See page	QT
01	0521069165	DRAWBAR		01
02	0521057520	HITCH ASSY	7	01
03	0581015973	1.1/4 UNC X 8 C S G5 SCREW		01
04	0501017779	FLAT WASHER 32 X 60 X 4,75		02
05	0503013026	1.1/4" CASTLE NUT		01
06	0503010010	SPLIT PIN 1/4" X 2.1/2"		01

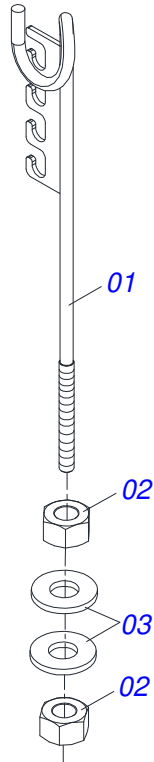


Item	Code	Description	See page	QT
01	0502040880	HITCH BODY		01
02	0502040885	BODY ATTACHMENT		01
03	0591012511	SLEEVE		01
04	0503010002	1800 GREASE FITTING		01
05	0503018829	NYLON CLAMP 7,8 X 1,8 X 390 MM		01

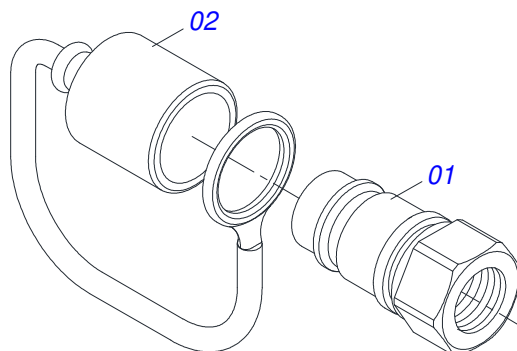
DRAWBAR JACK



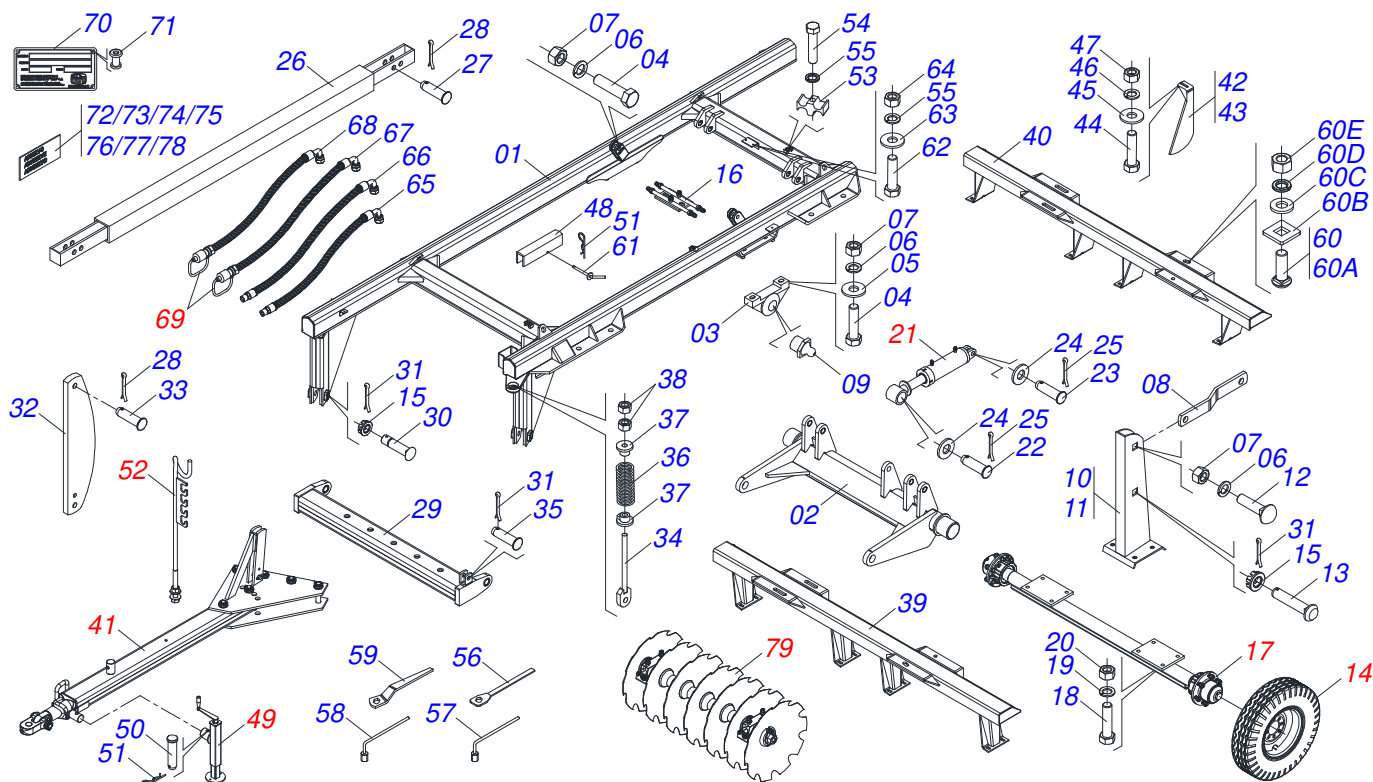
Item	Code	Description	See page	QT
01	0503062157	DRAWBAR JACK	8	01



Item	Code	Description	See page	QT
01	0511067334	HOSE SUPPORT		01
02	0503010014	3/4" ZN G.5 (HEAVY) UNC HEX NUT		02
03	0501010322	20,50 X 46 X 4,00 ZN FLAT WASHER		02



Item	Code	Description	See page	QT
01	0503011627	MALE QUICK COUPLER AGR 1/2 NPT		01
02	0503011882	MALE QUICK COUPLER CAP		01



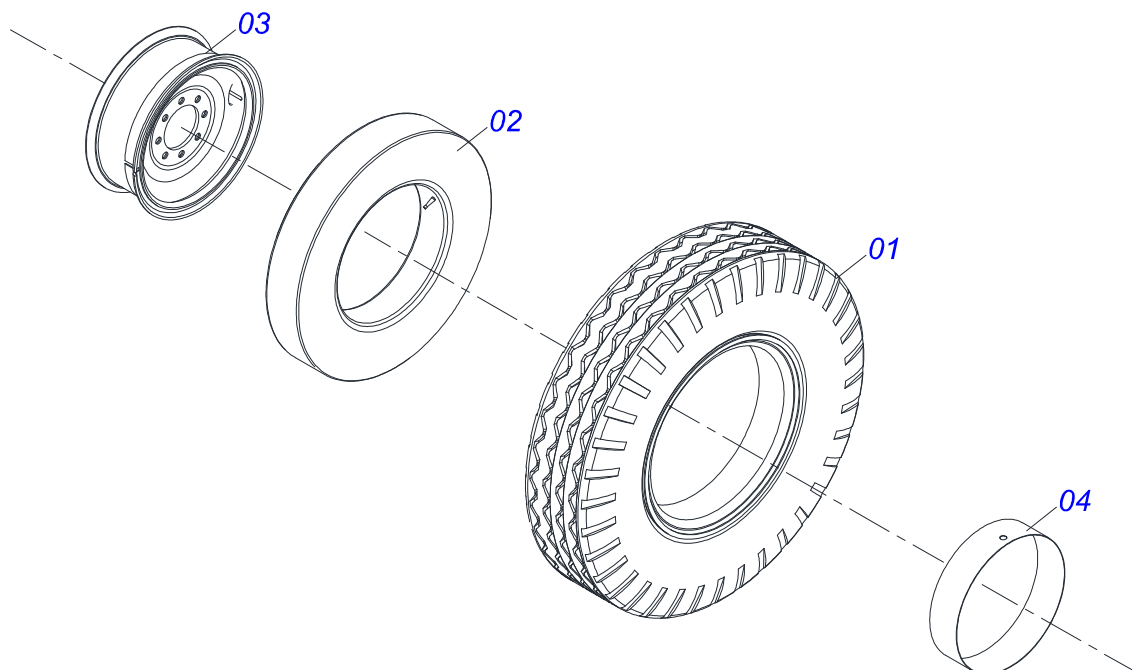
Item	Code	Description	See page	12	14	16	18	20	22
01	0501067249	CENTER FRAME		01	01	01	01	01	01
01.	0511064484	FRAME		00	00	00	00	01	01
02	0501067244	WHEELS		01	01	01	01	01	01
02.	0511066830	PN 11L15 CARRYING-WHEEL		00	00	00	01	00	00
03	0502010972	ARTICULATION BEARING		02	02	02	02	02	02
04	0503011432	BOLT		06	06	06	06	06	06
05	0501010065	1" SPRING WASHER		04	04	04	04	04	04
06	0503011438	SPRING WASHER		12	12	12	12	12	12
07	0501010059	1.5/8 NUT		08	08	08	08	08	08
08	0501110404	SUPPORT BAR		02	02	02	02	02	02
09	0503010002	1800 GREASE FITTING		04	04	04	04	04	04
10	0501068260	RIGHT SUSPENSION TOWER		01	01	01	01	01	01
11	0501068261	LEFT SUSPENSION TOWER		01	01	01	01	01	01
12	0511017974	1" U BOLT SUSPENSION TOWER		02	02	02	02	02	02
13	0511018006	1-1/2 X 4.13" U BOLT OF SUSP TOWER		02	02	02	02	02	02
14	0503060213	WHEEL WITH TIRE 35.4" X 0.80" / 14 CANVAS	12	02	02	02	02	02	02
14.	0503060244	WHEEL WITH TIRE11L-15 10L 8F ASSY	13	00	00	00	04	00	00
15	0501011301	1.1/2" UNC 6FPP 2.5/16" NUT		04	04	04	04	04	04
16	0501068706	DOUBLE CONNECTION		01	01	01	01	01	01
17	0501047810	3-1/2" X 84.1" STUB SHAFT & HUB	14	01	01	01	01	01	01
17.	0501051885	CARRYING-WHEELS	15	00	00	00	04	00	00
18	0501010125	3/4" X 2-1/2" BOLT		08	08	08	08	08	08
19	0503010023	3/4" SPRING WASHER		08	08	08	08	08	08
20	0503010014	3/4" ZN G.5 (HEAVY) UNC HEX NUT		08	08	08	08	08	08
21	0511059181	HYDRAULIC CYLINDER 50,80 X 101,60 X 515 X 248	16	02	02	02	02	02	02
22	0521010547	1.2" X 6.5" COUPLING SHAFT		02	02	02	02	02	02
23	0511010174	1.2" X 5.9" COUPLING SHAFT		02	02	02	02	02	02
24	0501017779	FLAT WASHER 32 X 60 X 4,75		04	04	04	04	04	04
25	0503010523	1/4" X 2" SPLIT PIN		06	06	06	06	06	06
26	0501067243	STABILIZER BAR		01	01	01	01	01	01



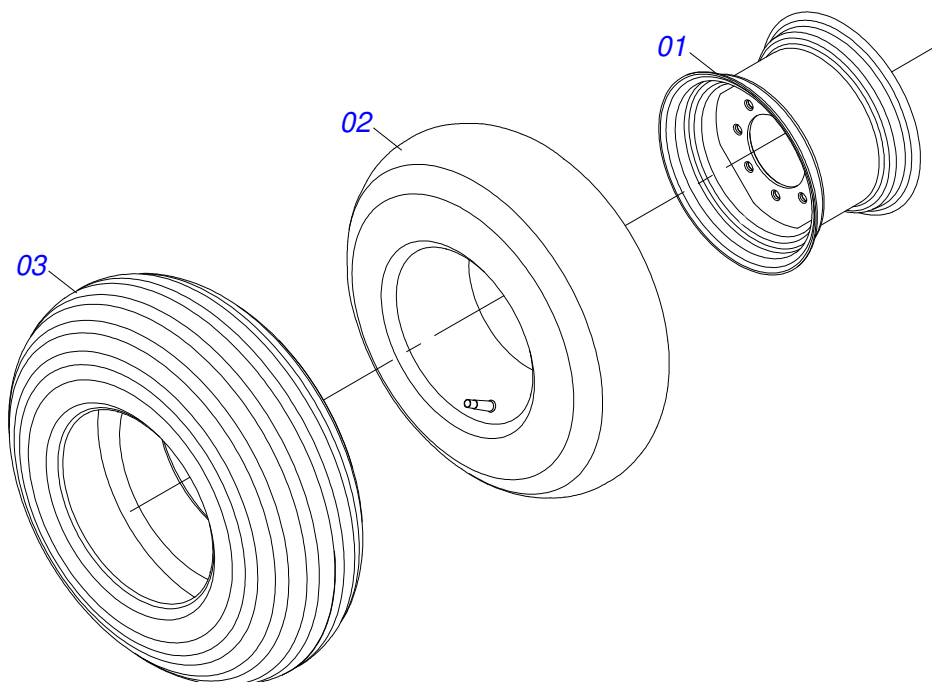
Item	Code	Description	See page	12	14	16	18	20	22
26.	0511066880	PN 11L15 STABILIZER BAR		00	00	00	01	00	00
26..	0511064485	STABILIZER BAR ALQUIP		00	00	00	00	01	01
27	0521010575	C0.9" X 3.3" COUPLING SHAFT		02	02	02	02	02	02
28	0503010571	1/4" X 1.1/2" SPLIT PIN		03	03	03	03	03	03
29	0501067241	OFFSET BAR		01	01	01	01	01	01
30	0521012052	1.5" X 6.7" PIVOT SHAFT		02	02	02	02	02	02
31	0503010534	3/8" X 2.1/2" SPLIT PIN		02	02	02	02	02	02
32	0511016121	STABILIZER BAR TOWER		01	01	01	01	01	01
33	0521010576	0.9" X 3.7" COUPLING SHAFT		01	01	01	01	01	01
34	0501066362	SPRING ROD		01	01	01	01	01	01
35	0521010592	1.1" X 3.1" COUPLING SHAFT		01	01	01	01	01	01
36	0503030441	12.7" X 5.7" X 0.5"SPRING		01	01	01	01	01	01
37	0502020394	SPRING SUPPORT		02	02	02	02	02	02
38	0501010087	1.1/4" NUT		02	02	02	02	02	02
39	0501060552	FRONT FRAME - 12		01	00	00	00	00	00
39.	0501060553	FRONT FRAME - 14		00	01	00	00	00	00
39..	0501060554	FRONT FRAME - 16		00	00	01	00	00	00
39...	0501060555	FRONT FRAME - 18		00	00	00	01	00	00
39....	0501060556	FRONT FRAME - 20		00	00	00	00	01	00
39.....	0501067204	FRONT FRAME - 22		00	00	00	00	00	01
40	0501060557	REAR FRAME - 12		01	00	00	00	00	00
40.	0501060558	REAR FRAME - 14		00	01	00	00	00	00
40..	0501060559	REAR FRAME - 16		00	00	01	00	00	00
40...	0501060560	REAR FRAME - 18		00	00	00	01	00	00
40....	0501060561	REAR FRAME - 20		00	00	00	00	01	00
40.....	0501067205	REAR FRAME - 22		00	00	00	00	00	01
41	0501046307	DRAWBAR ASSY	17	01	01	00	00	00	00
41.	0511041570	DRAWBAR ASSY 3"	18	00	00	01	01	01	01
42	0501060423	FRONT SCRAPER		06	07	08	09	10	11
43	0501060424	REAR SCRAPER		06	07	08	09	10	11
44	0503010233	5/8" X 2-1/2" BOLT		12	14	16	18	20	22
45	0501012140	FLAT WASHER 16,50 X 40 X 4,00 ZN		12	14	16	18	20	22
46	0503010027	5/8 SPRING WASHER		12	14	16	18	20	22
47	0503010013	5/8 UNC G.5 ZN HEX NUT		12	14	16	18	20	22
48	0501066386	TRANSPORT LOCK 9.54"		02	02	02	02	02	02
49	0511048088	DRAWBAR JACK	19	01	01	01	01	01	01
50	0561014251	COUPLING SHAFT		01	01	01	01	01	01
51	0503030168	HITCH PIN CLIP		03	03	03	03	03	03
52	0501040257	3/4" X 38" HOSE SUPPORT ASSY	9	01	01	01	01	01	01
53	0502010477	HOSE CLAMP		05	05	05	05	05	05
54	0503012555	SCREW 7/16 UNC X 2 CS RT G.7 ZN		05	05	05	05	05	05
55	0503010180	7/16" SPRING WASHER		05	05	05	05	05	05
56	0501316941	KEY 2.1/8 AND 2.1/2		02	02	02	02	02	02
57	0501061045	1" WRENCH CYLINDRICAL		01	01	01	01	01	01
58	0503016137	1-1/4" WRENCH CABLE CYLINDER		01	01	01	01	01	01
59	0501011432	1-1/2" AND 1-5/8 GANG BOLT WRENCH		01	01	01	01	01	01
60	0501041102	1-1/4" X 3-3/4" ASSY BOLT		08	08	08	08	08	08
60A	0501015348	1-1/4" X 3-3/4" BOLT		08	08	08	08	08	08
60B	0501010953	1-1/4" SQUARE WASHER		08	08	08	08	08	08
60C	0531010713	FLAT WASHER		08	08	08	08	08	08
60D	0503010070	SPRING WASHER		08	08	08	08	08	08
60E	0501010087	1.1/4" NUT		08	08	08	08	08	08
61	0501068994	8,30 X 78 LOCK PIN		02	02	02	02	02	02
62	0503010237	3/8" X 1" BOLT		02	02	02	02	02	02
63	0501010984	10,50 X 27 X 3,00 FLAT WASHER		02	02	02	02	02	02
64	0503010026	3/8" NUT		02	02	02	02	02	02
65	0501080054	3/8" X 17" TR-TC HOSE		02	02	02	02	02	02



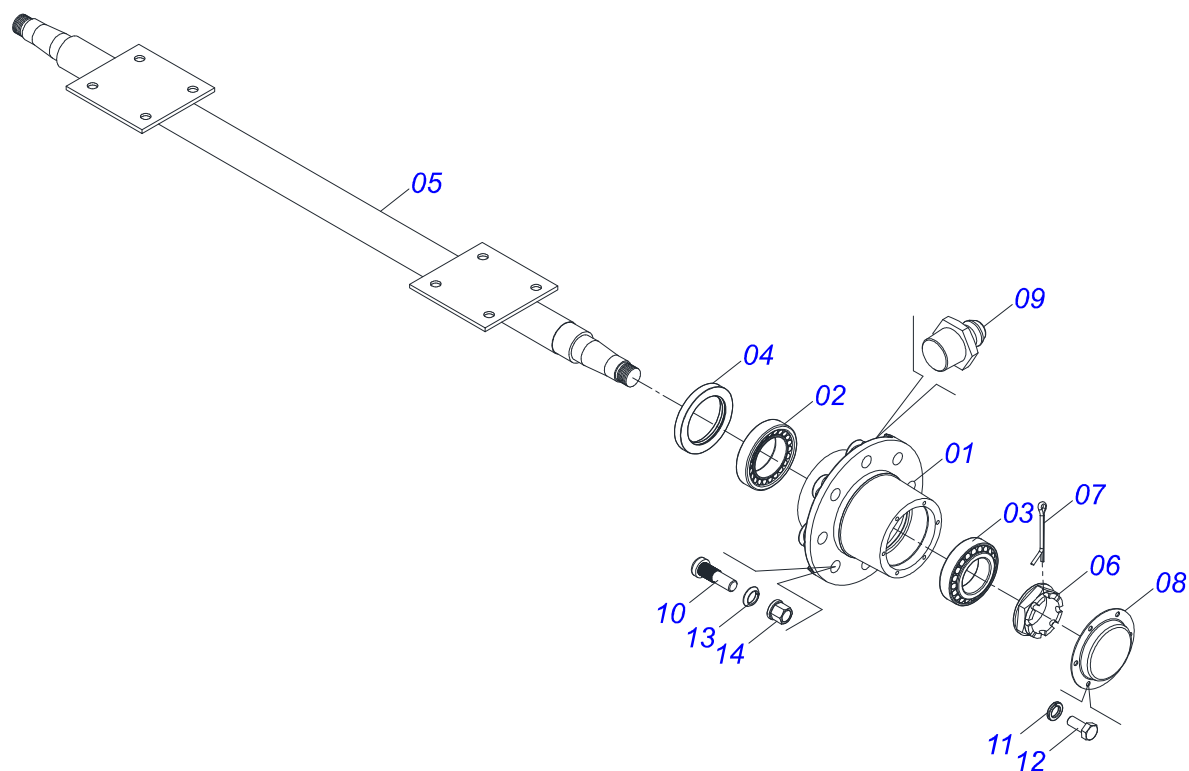
Item	Code	Description	See page	12	14	16	18	20	22
66	0501080413	3/8" X 27" TR-TC HOSE		02	02	02	02	02	02
67	0501080458	3/8" X 315" TC-TM HOSE		01	01	01	01	01	01
68	0501080459	3/8" X 322" TC-TM HOSE		01	01	01	01	01	01
69	0501053834	MALE QUICK COUPLER	10	02	02	02	02	02	02
70	0503034003	61 X 118 SERIAL NUMBER TAG		01	01	01	01	01	01
71	0503010001	RIVET 3,2 X 5,5		04	04	04	04	04	04
72	0503060832	SET LABEL ADHESIVE		01	01	01	01	01	01
73	0503034078	LIFTING POINTS DECAL		01	01	01	01	01	01
74	0503031738	WARNING DECAL		01	01	01	01	01	01
75	0503031739	DANGER DECAL		01	01	01	01	01	01
76	0503031428	READ MANUAL DECAL		01	01	01	01	01	01
77	0503031827	LUBRICATE AND RETIGHTEN DAILY DECAL		01	01	01	01	01	01
78	0503031087	AUTO CONTROL APPROVED DECAL		01	01	01	01	01	01
79		DISC GANG - 12/14/16/18/20/22D	21						



Item	Code	Description	See page	QT
01	0503010494	9.0LX 20" X 14 PLY, TIRE		01
02	0503010057	INNER TIRE		01
03	0501068263	2.6"X0.8"X6.0"X 8F0. 9"X8.0" WHEEL		01
04	0503010470	PROTECTION		01

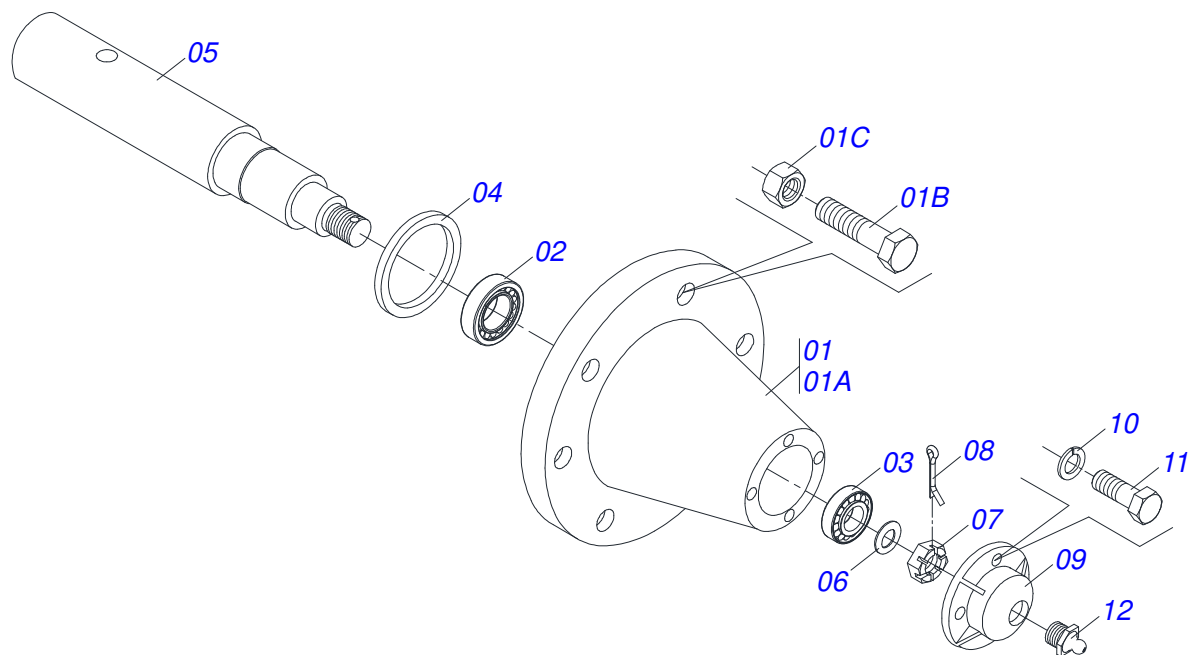


Item	Code	Description	See page	QT
01	0503012108	WHEEL 10 LB X 15 X 8F X 203		01
02	0503010860	AIR CHAMBER 11L 15		01
03	0503010858	CANVAS TIRE		01

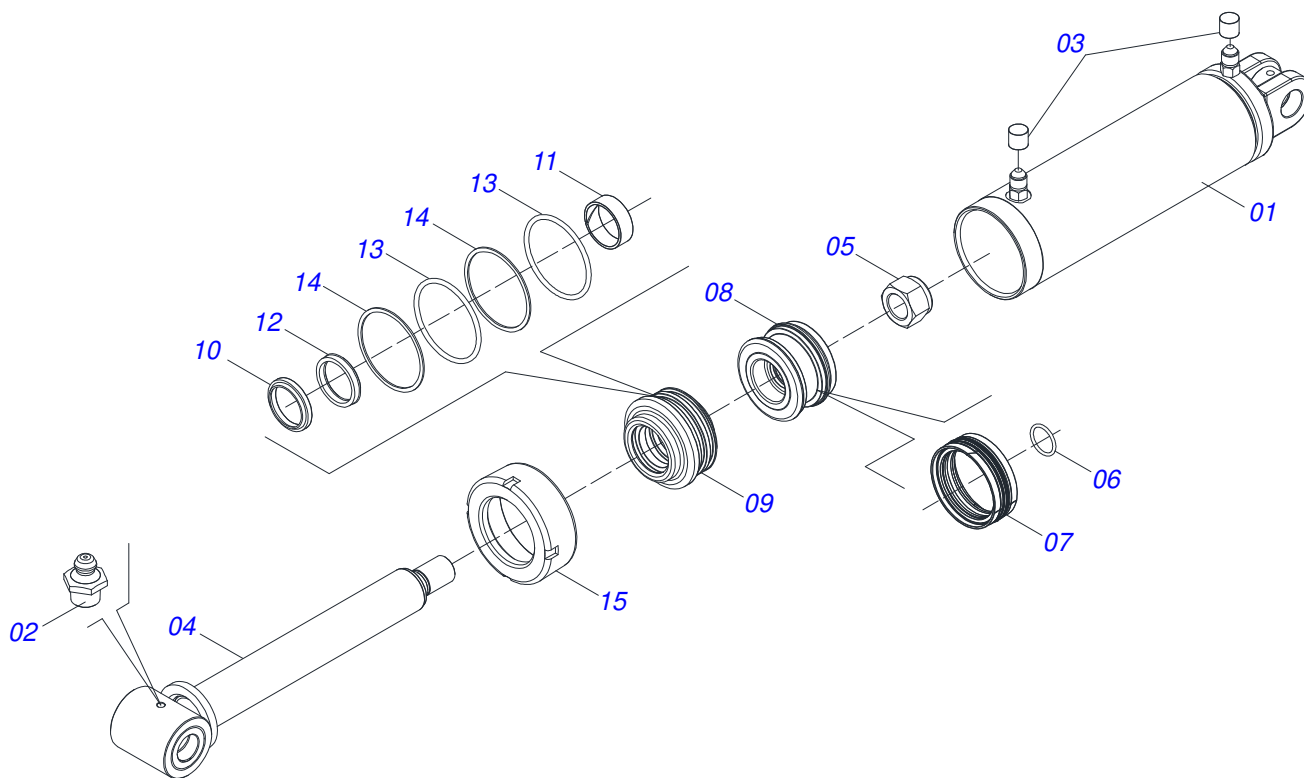


Item	Code	Description	See page	QT
01	0501110751	HUB AND SPINDLE WITH BOLT		02
02	0503010059	33287/33462 ROLLER BEARING		02
03	0503010007	3982/3920 ROLLER BEARING		02
04	0503010050	SEAL 00085-B		02
05	0501067251	3-1/2" X 84.1" AXLE		01
06	0502040080	FLANGE NUT R.2.1/2" UN		02
07	0503011345	1/4" X 3.1/2" SPLIT PIN		02
08	0541013225	WHEEL HUB LID		02
09	0503010002	1800 GREASE FITTING		02
10	0503811339	BOLT		08
11	0503010179	LOCK WASHER 5/16 ZN 1K01528		16
12	0503010240	BOLT		16
13	0503811340	SPHERICAL SPRING WASHER		08
14	0503811341	NUT		08

CARRYING-WHEELS

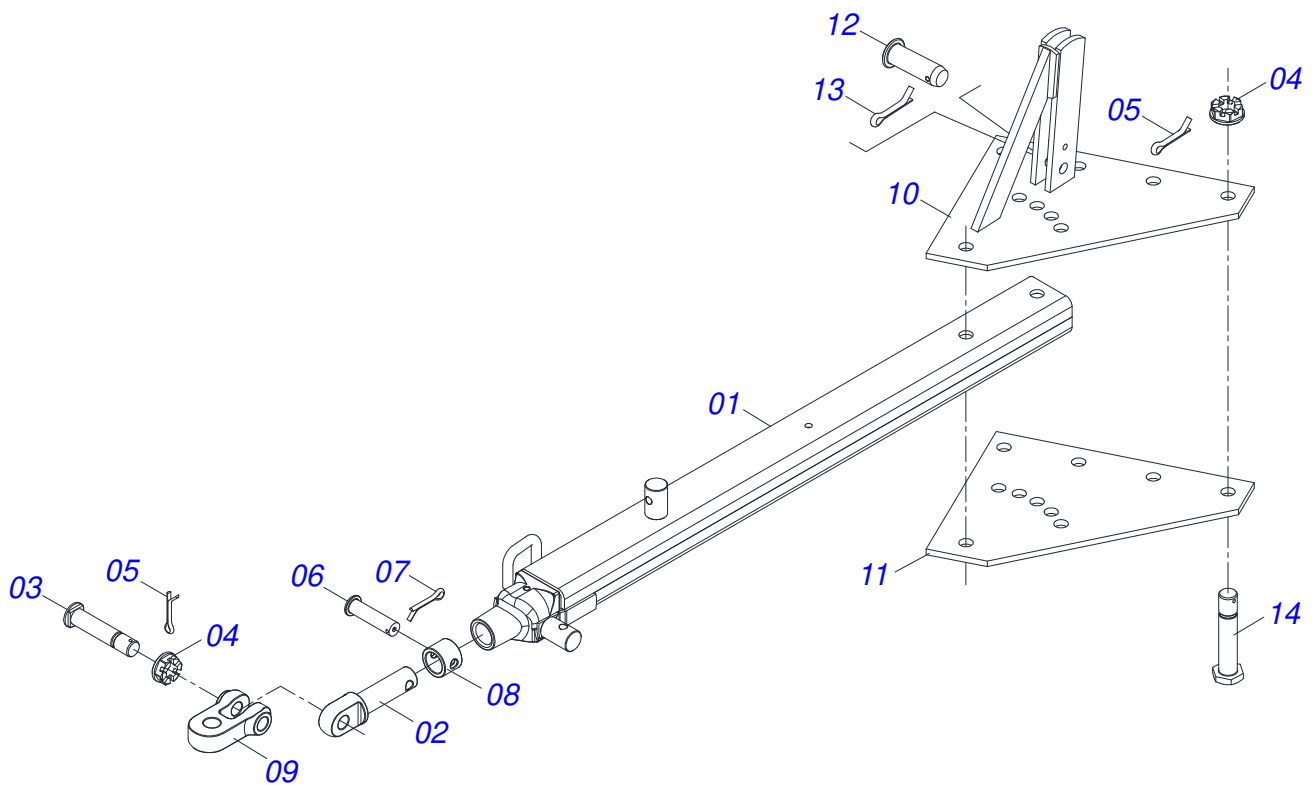


Item	Code	Description	See page	QT
01	0501110738	CARRYING WHEEL HUB 21FT		01
01A	0502012260	TRANSPORT CARRYING-WHEEL HUB		01
01B	0503010064	5/8 UNF CONIC NUT		08
01C	0501010186	WHEEL BOLT 5/8"UNF X 2.1/8CR		08
02	0503011156	2780/2720 IMP ROLLER BEARING		01
03	0503010008	3780/3720 ROLLER BEARING		01
04	0503013314	RETAINER 5166-GB 63,5 X 110 X 13 ARCA		01
05	0511012494	SPINDLE		01
06	0511012492	FLAT WASHER		01
07	0503030009	1" CASTLE NUT		01
08	0503010018	5/32" X 1-1/2" SPLIT PIN		01
09	0502020591	PROTECCION COVER		01
10	0503011444	SPRING WASHER 5/16"		04
11	0503010358	5/16" X 5/8" BOLT		04
12	0503010002	1800 GREASE FITTING		01



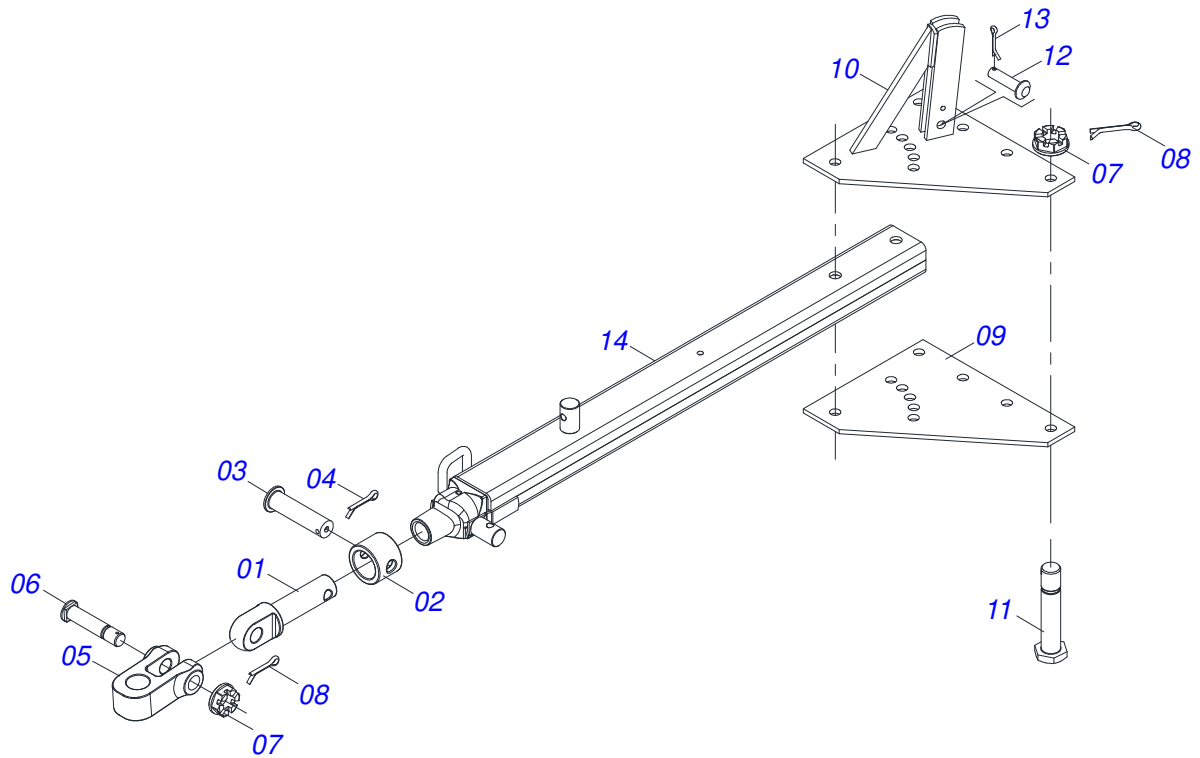
Item	Code	Description	See page	QT
01	0501067256	4" X 16" CYLINDER CASE		01
02	0503010002	1800 GREASE FITTING		02
03	0503030385	CYLINDER PLUG N-002		02
04	0521066345	PISTON ROD		01
05	0503010817	SELF LOCKING NUT 1.1/4 UNF ALTA G.5 ZN		01
06	0503010345	2-218 N 3006-9B O'RING		01
07	0503015633	SELEMASTER SEALING		01
08	0502012842	50,80 X 101,60 PISTON		01
09	0581010678	50,80 X 101 RING SUPPORT		01
10	0503015636	SCRAPER SEAL		01
11	0503018025	RING GUIDE W2-2250-750		01
12	0503018026	GASKET 1870-2000-375 B POLYMAX		01
13	0503010338	2-342 N 3006-9B O'RING		02
14	0503011061	8-342 BACK-UP RING		02
15	0502012822	END CAP 4"		01

DRAWBAR ASSY



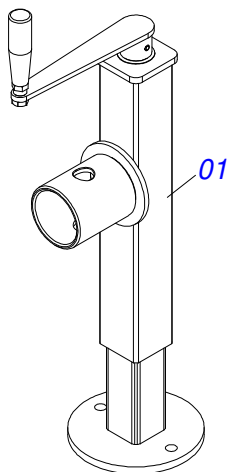
Item	Code	Description	See page	QT
01	0501069323	TRACTION BAR		01
02	1902040223	PIN HITCH		01
03	0521012545	COUPLING SHAFT		01
04	0501011301	1.1/2" UNC 6FPP 2.5/16" NUT		07
05	0503010010	SPLIT PIN 1/4" X 2.1/2"		07
06	0511014902	COUPLING SHAFT		01
07	0503010571	1/4" X 1.1/2" SPLIT PIN		01
08	1902040327	LOCK SLEEVE		01
09	1902040732	COUPLING		01
10	0501067250	UPPER PLATE WITH SUPPORT		01
11	0511016137	UPPER /LOWER PLATE		01
12	0521010779	31.75 X 95 COUPLING SHAFT		01
13	0503010523	1/4" X 2" SPLIT PIN		01
14	0501016419	1-1/2" X 7.5" BOLT		06

DRAWBAR ASSY 3"

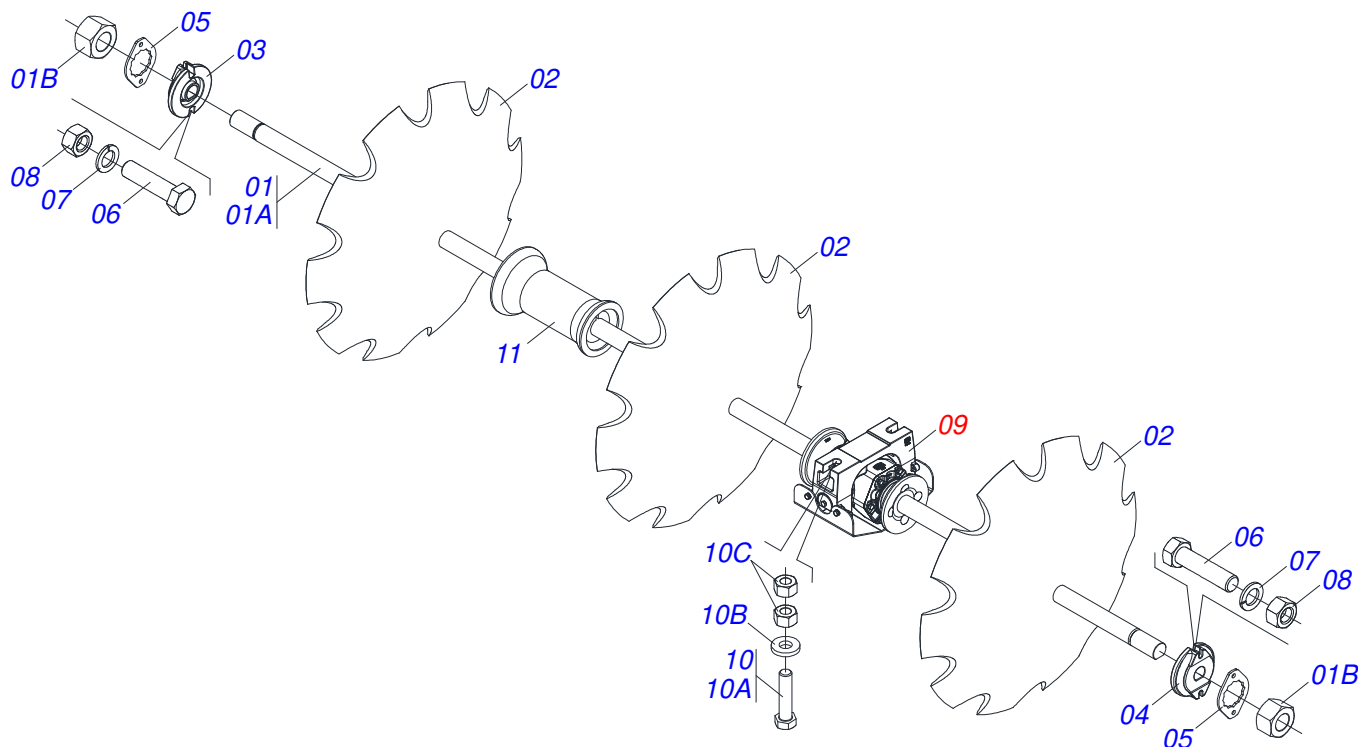


Item	Code	Description	See page	QT
01	0502040223	DRAWBOLT		01
02	0502040327	HITCH LOCK RING		01
03	0511014902	COUPLING SHAFT		01
04	0503010571	1/4" X 1.1/2" SPLIT PIN		01
05	1902040733	U COUPLING HOOK		01
06	0521012545	COUPLING SHAFT		01
07	0501011301	1.1/2" UNC 6FPP 2.5/16" NUT		07
08	0503010010	SPLIT PIN 1/4" X 2.1/2"		07
09	0511016137	UPPER /LOWER PLATE		01
10	0501067250	UPPER PLATE WITH SUPPORT		01
11	0501016419	1-1/2" X 7.5" BOLT		06
12	0521010779	31.75 X 95 COUPLING SHAFT		01
13	0503010523	1/4" X 2" SPLIT PIN		01
14	0501069323	TRACTION BAR		01

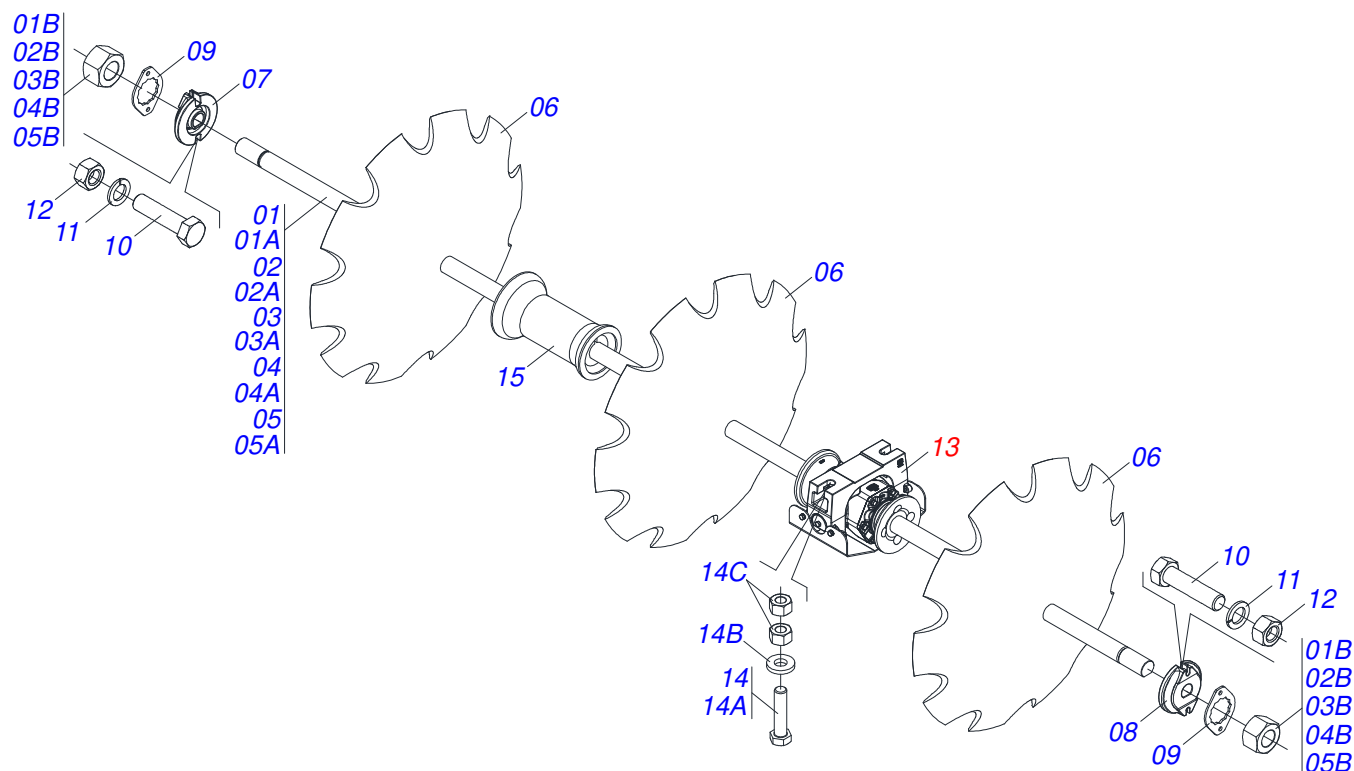
DRAWBAR JACK



Item	Code	Description	See page	QT
01	0503062227	DRAWBAR JACK		01



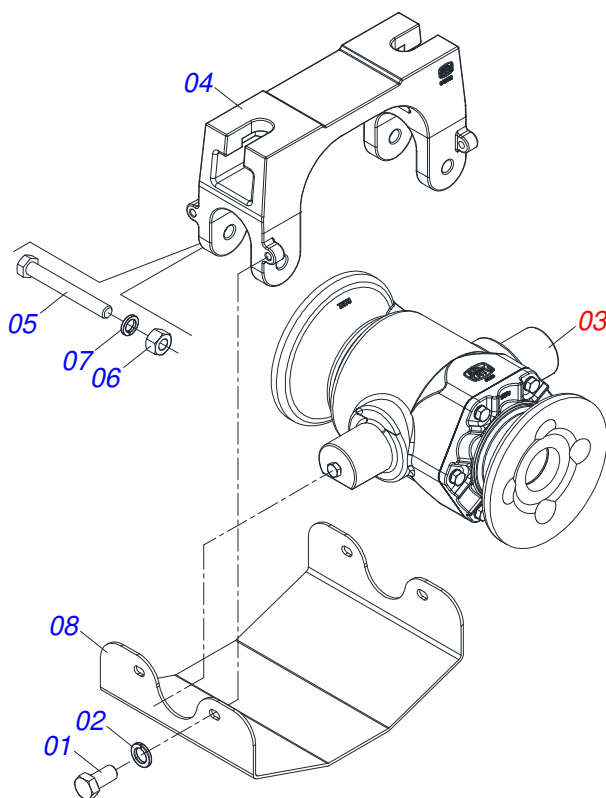
Item	Code	Description	See page	QT
01	0501040690	2.1/2" X 80" AXLE WITH NUTS		02
01A	0501010357	2.1/2" X 81" AXLE		01
01B	0502040064	2.1/2" SNC X 70 99 NUT		02
02	0602044033	DR 32 X 9,00 C115AF04FR2.9/16 10R		10
02.	0602044004	DR 32 X 12,00 C115AF04FR2.9/16 10R		10
02..	0602046001	DR 34 X 9,00 C120AF04FR2.9/16 12R		10
02...	0602046002	DR 34 X 12,00 C120AF04FR2.9/16 12R		10
02....	0602048001	DR 36 X 9,00 C133AF04FR2.9/16 12R		10
02.....	0602048002	DR 36 X 12,00 C133AF04FR2.9/16 12R		10
03	0502010592	2.1/2" INNER AXLE WASHER		02
04	0502010593	2.1/2" EXTERNAL AXLE WASHER		02
05	0541010368	NUT LOCK		04
06	0503010232	5/8" X 1.3/4" BOLT		08
07	0503010027	5/8 SPRING WASHER		08
08	0503010013	5/8 UNC G.5 ZN HEX NUT		08
09	0531041587	430 X 2.1/2 AGRICULTURAL BEARING WITH 22 PROTECTION SUPPORT		04
10	0531040741	ASSY 1.1/4 UNC X 5 BOLT		08
10A	0503011347	1.1/4" X 5" BOLT		01
10B	0571010448	32,50 X 75 X 16 SLEEVE		01
10C	0501010087	1.1/4" NUT		02
11	0502012220	2.1/2" X 17" SPACER		04



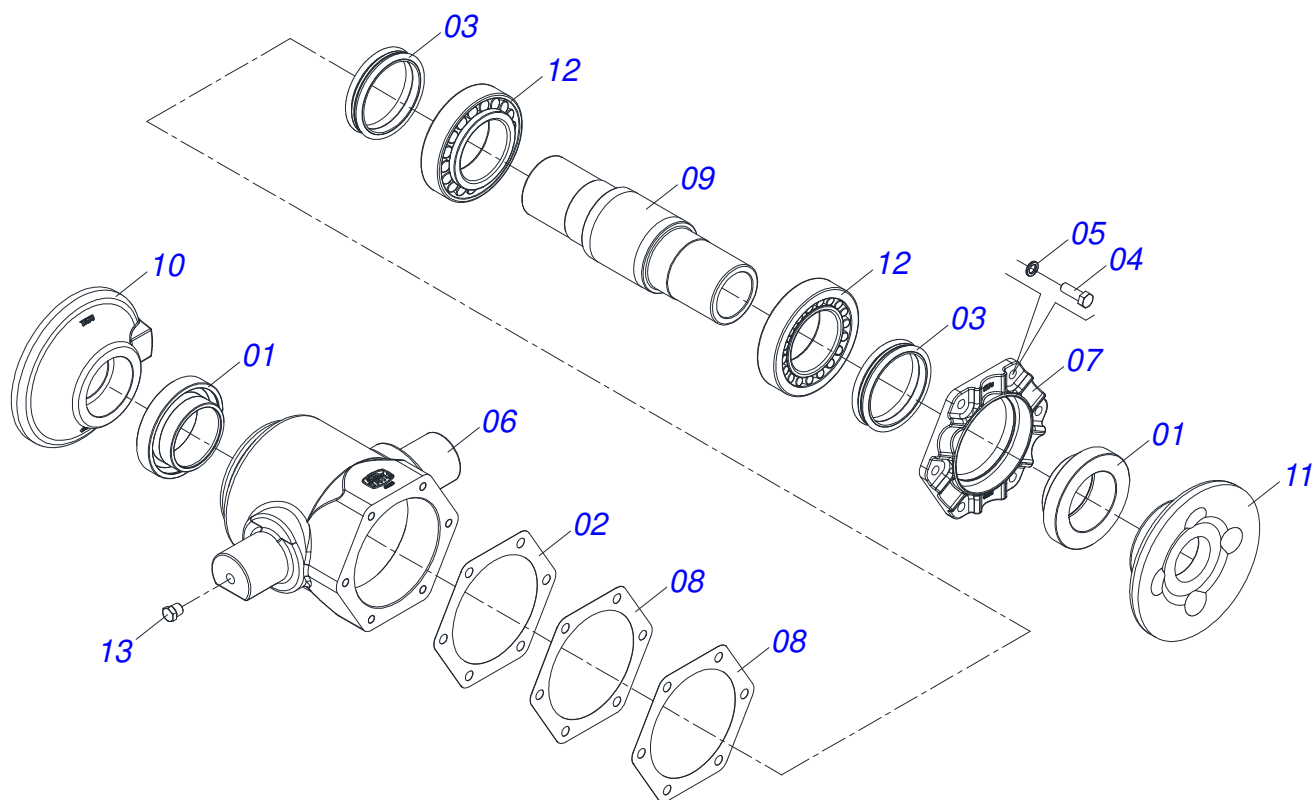
Item	Code	Description	See page	12	14	16	18	20	22
01	0501040691	2-1/2" X 97" AXLE WITH NUTS		02	00	00	00	00	02
01A	0501010356	2-1/2" X 97" AXLE		01	00	00	00	00	01
01B	0502040064	2.1/2" SNC X 70 99 NUT		02	00	00	00	00	02
02	0501040692	2-1/2" X 115" AXLE WITH NUTS		00	02	00	00	00	00
02A	0501010355	2-1/2" X 115" AXLE		00	01	00	00	00	00
02B	0502040064	2.1/2" SNC X 70 99 NUT		00	02	00	00	00	00
03	0501040693	2.1/2" X 63" AXLE WITH NUTS		00	00	04	00	00	00
03A	0501010358	2.1/2" X 63" AXLE		00	00	01	00	00	00
03B	0502040064	2.1/2" SNC X 70 99 NUT		00	00	02	00	00	00
04	0501040693	2.1/2" X 63" AXLE WITH NUTS		00	00	00	02	00	00
04A	0501010358	2.1/2" X 63" AXLE		00	00	00	01	00	00
04B	0502040064	2.1/2" SNC X 70 99 NUT		00	00	00	02	00	00
05	0501040690	2.1/2" X 80" AXLE WITH NUTS		00	00	00	02	04	02
05A	0501010357	2.1/2" X 81" AXLE		00	00	00	01	01	01
05B	0502040064	2.1/2" SNC X 70 99 NUT		00	00	00	02	02	02
06	0602044033	DR 32 X 9,00 C115AF04FR2.9/16 10R		12	14	16	18	20	22
06.	0602044004	DR 32 X 12,00 C115AF04FR2.9/16 10R		12	14	16	18	20	22
06..	0602046001	DR 34 X 9,00 C120AF04FR2.9/16 12R		12	14	16	18	20	22
06...	0602046002	DR 34 X 12,00 C120AF04FR2.9/16 12R		12	14	16	18	20	22
06....	0602048001	DR 36 X 9,00 C133AF04FR2.9/16 12R		12	14	16	18	20	22
06.....	0602048002	DR 36 X 12,00 C133AF04FR2.9/16 12R		12	14	16	18	20	22
07	0502010592	2.1/2" INNER AXLE WASHER		02	02	04	04	04	04
08	0502010593	2.1/2" EXTERNAL AXLE WASHER		02	02	04	04	04	04
09	0541010368	NUT LOCK		04	04	08	08	08	08
10	0503010232	5/8" X 1.3/4" BOLT		08	08	16	16	16	16
11	0503010027	5/8 SPRING WASHER		08	08	16	16	16	16
12	0503010013	5/8 UNC G.5 ZN HEX NUT		08	08	16	16	16	16
13	0531041587	430 X 2.1/2 AGRICULTURAL BEARING WITH 22 PROTECTION SUPPORT		04	04	08	08	08	08
14	0531040741	ASSY 1.1/4 UNC X 5 BOLT		08	08	16	16	16	16



Item	Code	Description	See page	12	14	16	18	20	22
14A	0503011347	1.1/4" X 5" BOLT		01	01	01	01	01	01
14B	0571010448	32,50 X 75 X 16 SLEEVE		01	01	01	01	01	01
14C	0501010087	1.1/4" NUT		02	02	02	02	02	02
15	0502012220	2.1/2" X 17" SPACER		06	08	04	06	08	10



Item	Code	Description	See page	QT
01	0503010834	1/2 X 1 BOLT		04
02	0503010019	1/2" SPRING WASHER		04
03	0531052867	430 X 2.1/2 AGRICULTURAL BEARING	23	01
04	0502013003	2.3/4 BEARING SUPPORT		01
05	0503011198	BOLT 3/4" UNC X 6" CS G.5		02
06	0503010014	3/4" ZN G.5 (HEAVY) UNC HEX NUT		02
07	0503010023	3/4" SPRING WASHER		02
08	0501213896	BEARING COVER		01



Item	Code	Description	See page	QT
01	0502040119	SEAL RETAINER		02
02	0503035599	205 X 160,5 X 0,20 SEAL GASKET		01
03	0503030029	RETAINER LP JB-259		02
04	0503010920	1/2 UNC X 1.1/2 C S G.5 ZN BOLT		06
05	0503011440	SPRING WASHER		06
06	0502013002	BEARING HUB		01
07	0502013005	BEARING HUB LID		01
08	0503035600	205 X 160,5 X 0,40 SEAL GASKET		02
09	0502040039	AXLE		01
10	0502040165	INNER FLANGE		01
11	0502040164	OUTER FLANGE		01
12	0503010118	32218 BEARING		02
13	0503010856	OIL PLUG R 3/8 BSPT		02



MARCHESAN

Technical Publications | Elaboration and Revision

LEONARDO JOSÉ DA SILVA SOUZA

www.marchesan.com.br

